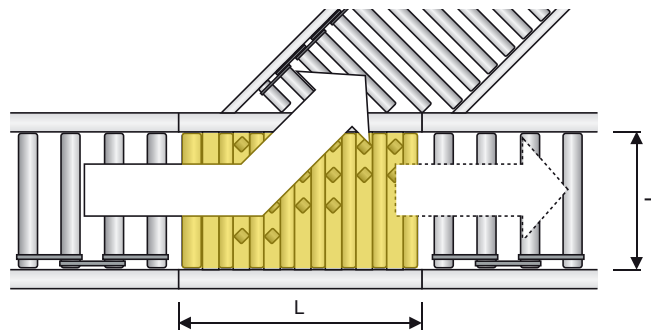


## 45° ANGLE TRANSFER



Itoh-Denki Pop-Up transfer modules use 24V DC Brushless Motorized Roller technology in a very compact « cassette » structure. This makes it easy to integrate into both new and reconditioned conveyors. It can be used on conveyor lines for order picking, distribution or on assembly lines to adapt to your logistics changes.



## ADVANTAGES

### HIGH CAPACITY TRANSFER

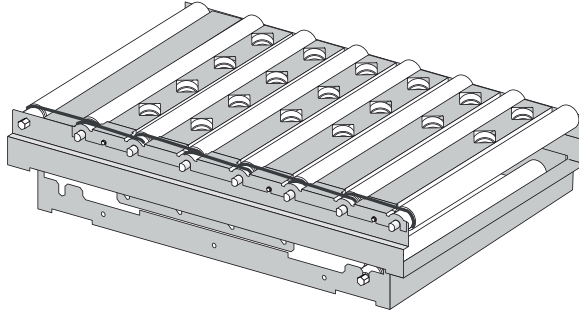
Three compact and powerful brushless motorized rollers provide efficient and maintenance free operation. The speed of movement ensures a high capacity of loads to be sorted.

### MONOENERGY AND ECONOMICAL

Pop-Up requires a 24V DC supply only. Only two motors operate simultaneously and consume 160W at nominal speed.

### COMPACT AND LIGHT

The Pop-Up diverter is a compact system (169mm high) and is one of the lightest modules on the market.



### ENVIRONMENT

Pop-Up operates without pneumatic or oil, allowing a clean and quieter environment.

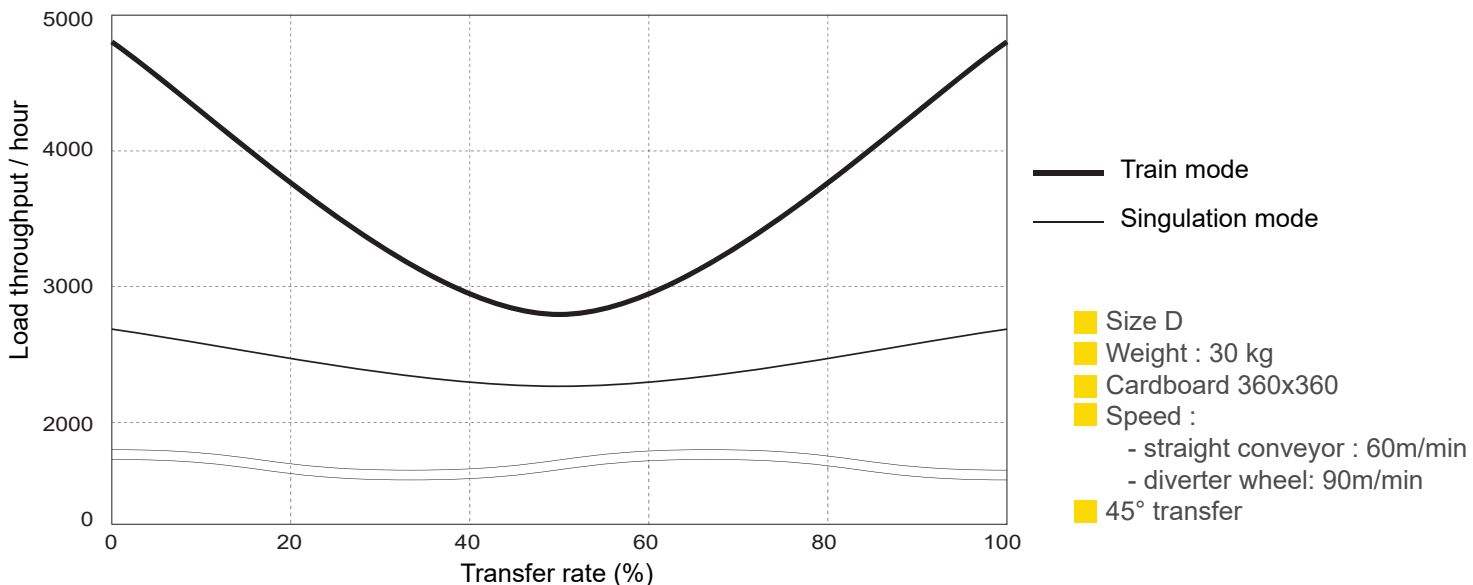
### QUICK AND EASY TO INSTALL

The compact and light cassette makes it easy to integrate the Pop-Up diverter in new or existing conveyor systems. This complete transfer table is mounted with only 4 screws.

### MODULAR

Our product offers various application possibilities. It can be easily moved on the conveyor line to fit your logistics development.

## TRANSFER CAPACITY

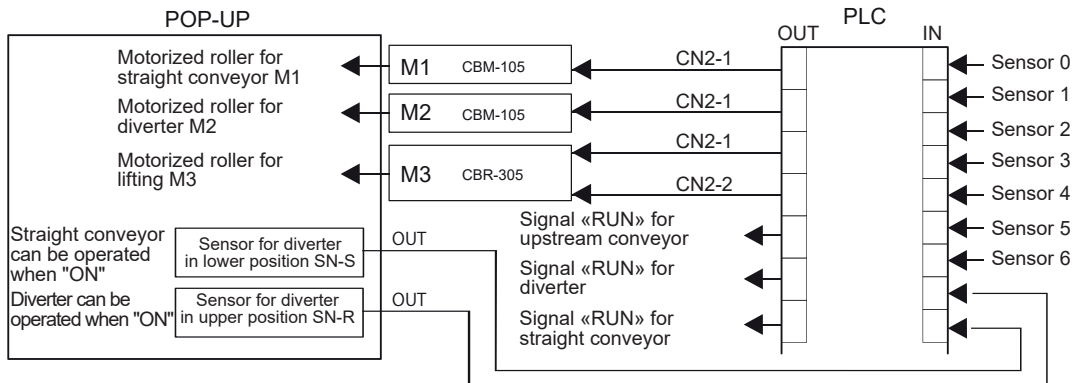
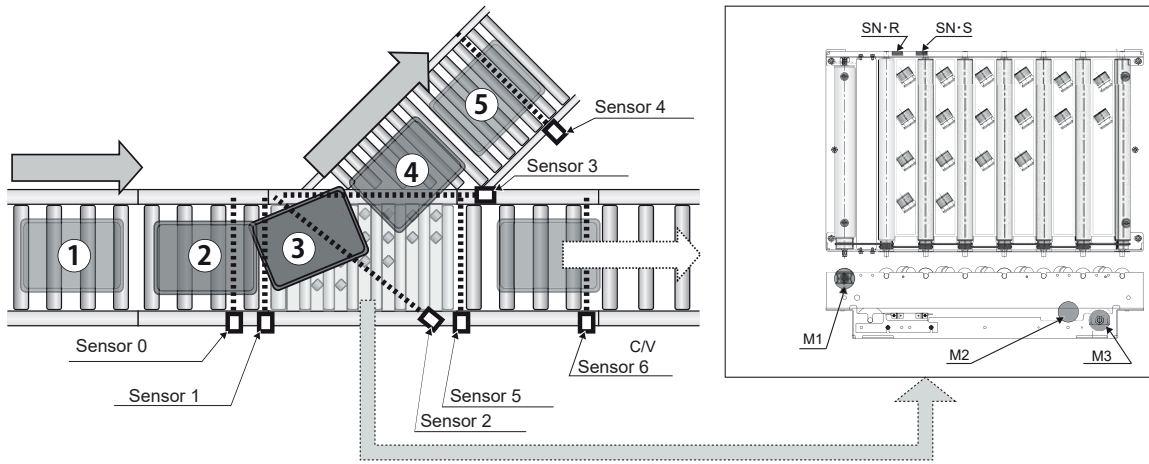


The load throughput depends on the size and material of the package to be transported, as well as speed, transfer mode, transfer rate...

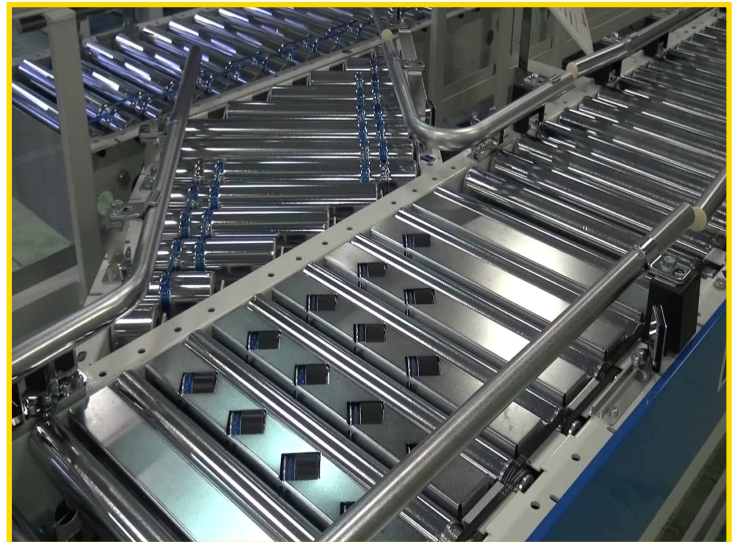
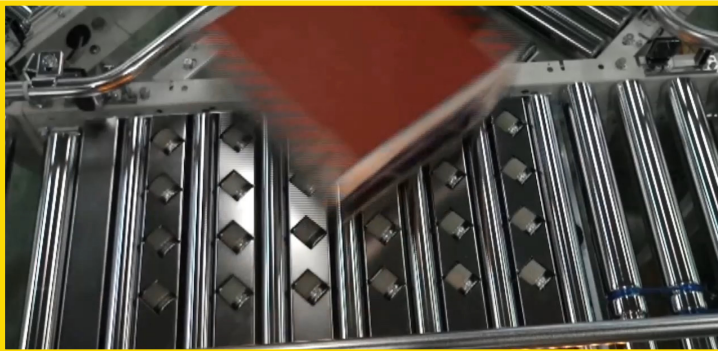
The diagram is given as an indication.



# CONTROL



# REFERENCES



# CONTACTS

## ITOH DENKI EUROPE S.A.S.

490 Av. des Jourdiés  
 P.A.E. les Jourdiés  
 74800 St Pierre en Faucigny - France  
 Tél. : +33 (0)4 50 03 09 99  
 Fax : +33 (0)4 50 03 07 60  
 E-mail : [info@itoh-denki.com](mailto:info@itoh-denki.com)

## SUCCURSALE ITOH DENKI ANGLETERRE

Suite 1 Trinity Space Centre  
 Waldorf Way  
 Wakefield WF2 8DH - UK  
 Tel : +44 (0)1924 366 539  
 Fax : +33 (0)4 50 03 07 60  
 E-mail : [info@itoh-denki.com](mailto:info@itoh-denki.com)

## SUCCURSALE ITOH DENKI ALLEMAGNE

Neumeyerstrabe 48  
 90411 NÜRNBERG - Deutschland  
 Tel : +49 911 25 26 - 200  
 Fax : +49 911 25 26 - 201  
 E-mail : [info@itoh-denki.de](mailto:info@itoh-denki.de)