

## Hand clamp model THG

### Capacity 250 kg

The THG hand clamp is suited for the individual transport of light and thin plates. Pressing down on the hand grip releases the tension spring, allowing the clamp to open and slide onto the plate.

The plate can be transported by holding onto the ergonomically designed hand grip.

The positive spring pressure prevents the plate from accidental slipping out of the clamp.



## INFO

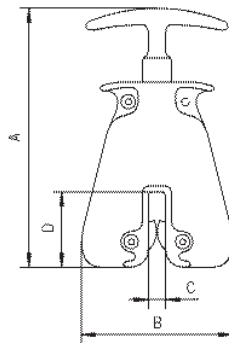
The plate surface of the material must not exceed a hardness of HRC 30.

### Technical data model THG

Model	EAN-No. 4025092*	Capacity kg	Jaw capacity mm	Weight kg
THG	*556057	250	0 - 10	1.4

### Dimensions model THG

Model	THG
A, mm	184
B, mm	105
C, mm	12
D, mm	53
Thickness, mm	40



Attaching



Transport



### Screw clamp for vertical and horizontal pulling model TSH

Capacity 750 - 5000 kg

The screw clamp offers many possible applications. It is particularly useful for lifting, turning and pulling steel plates, girders and steel constructions.

The spindle is closed only finger tight.

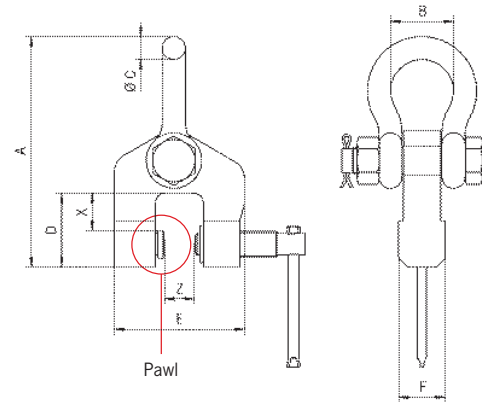
Once the screw clamp is tightened and lifting begins, the pivoting pad clamping system produces a wedging action against the material, holding it securely.

#### Technical data model TSH

Model	EAN-No. 4025092*	Capacity kg	Jaw capacity Z mm	Weight kg
TSH 0,75	*559027	750	0 - 28	3.1
TSH 1,5	*550123	1500	0 - 32	7.4
TSH 2,0	*120302	2000	90 - 140	14.8
TSH 2,0 S	*426756	2000	50 - 100	14.5
TSH 3,0	*550154	3000	0 - 50	11.4
TSH 5,0	*550215	5000	0 - 80	27.6

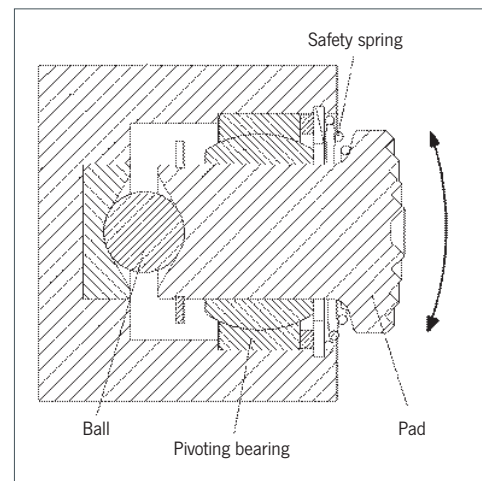
#### Dimensions model TSH

Model	TSH 0,75	TSH 1,5	TSH 2,0	TSH 2,0 S	TSH 3,0	TSH 5,0
A, mm	190	255	318	318	290	470
B, mm	52	65	74	74	74	130
Ø C, mm	19	26	30	30	30	50
D, mm	43	75	90	90	85	135
E, mm	113	130	286	246	170	225
F, mm	35	44	60	60	50	72
X, mm	15	40	38	38	40	50



### INFO

The plate surface of the material must not exceed a hardness level of HRC 50.



Functional drawing pivoting pad

**Screw clamp  
for lifting and pulling  
model TSD**

Capacity 1500 - 7500 kg

The TSD screw clamp is a valuable asset when lifting, pulling and fitting sheet material as well as steel constructions.

The spindle is closed only finger tight.

When the screw clamp is tightened and lifting begins, the pivoting pad clamping system produces a wedging action against the material, holding it securely.

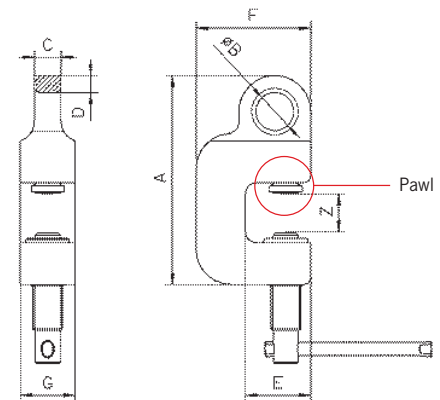


**Technical data model TSD**

Model	EAN-No. 4025092*	Capacity kg	Jaw capacity Z mm	Weight kg
TSD 1,5	*550598	1500	0 - 35	4.8
TSD 3,0	*550864	3000	0 - 35	8.1
TSD 5,0	*551717	5000	0 - 40	14.5
TSD 7,5	*550987	7500	0 - 40	18.1

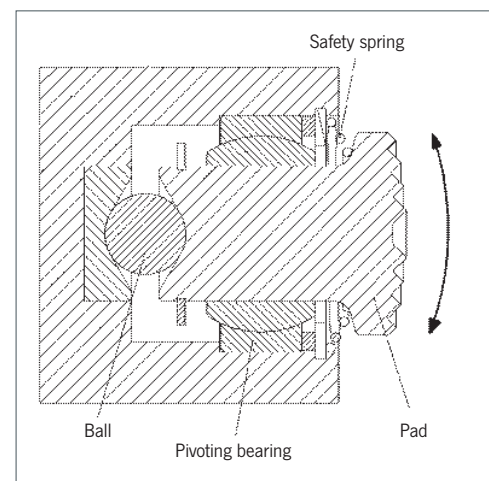
**Dimensions model TSD**

Model	TSD 1,5	TSD 3,0	TSD 5,0	TSD 7,5
A, mm	191	235	275	295
Ø B, mm	35	46	55	65
C, mm	24	34	40	50
D, mm	16	17	18	22
E, mm	60	67	85	92
F, mm	105	120	150	162
G, mm	50	60	75	80

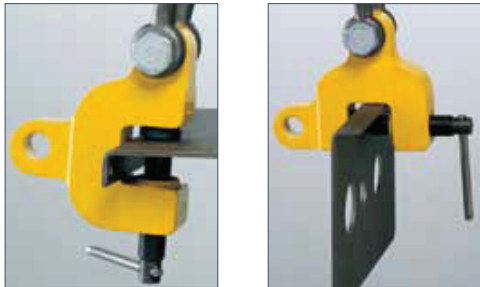


**INFO**

The plate surface of the material must not exceed a hardness level of HRC 50.



Functional drawing pivoting pad



## Screw clamp for three-dimensional pulling model TSZ

Capacity 500 - 7500 kg

The TSZ screw clamp is designed to pull in three directions. It offers many different possibilities for transporting steel constructions, feeding machining centres, etc.

The spindle is closed only finger tight.

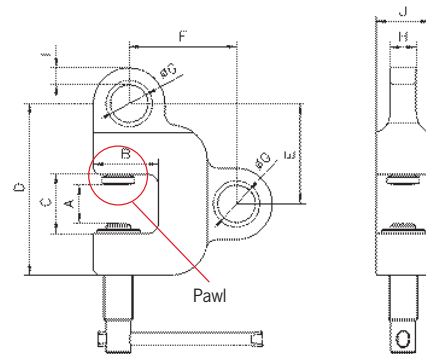
When the screw clamp is tightened and lifting begins, the pivoting pad clamping system produces a wedging action against the material, holding it securely.

## INFO

The plate surface of the material must not exceed a hardness level of HRC 50.

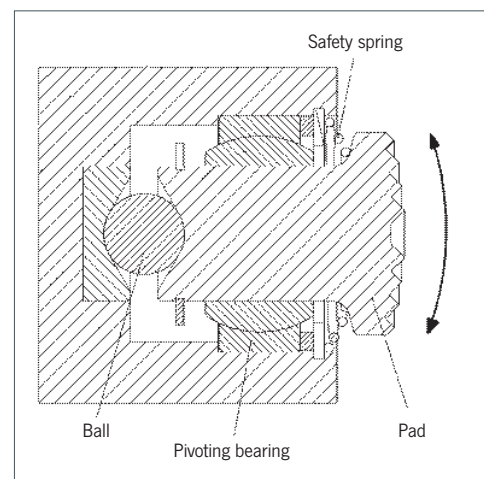
### Technical data model TSZ

Model	EAN-No. 4025092*	Capacity kg	Jaw capacity mm	Weight kg
TSZ 0,5	*555739	500	0 - 28	2.3
TSZ 1,5	*555746	1500	0 - 35	5.6
TSZ 3,0	*555753	3000	0 - 35	8.8
TSZ 5,0	*555760	5000	0 - 40	16.2
TSZ 7,5	*555777	7500	0 - 40	20.9



### Dimensions model TSZ

Model	TSZ 0,5	TSZ 1,5	TSZ 3,0	TSZ 5,0	TSZ 7,5
A, mm	28	35	35	40	40
B, mm	43	60	67	85	92
C, mm	45	55	65	75	75
D, mm	125	158	195	230	240
E, mm	72	93	114	133	143
F, mm	83	99	120	150	162
Ø G, mm	26	35	46	55	65
H, mm	16	24	34	40	50
I, mm	12	16	17	18	23
J, mm	35	50	60	75	80



Functional drawing pivoting pad

## Roundstock grab model TRU

Capacity 100 - 4000 kg

The TRU roundstock grab picks up roundstock and pipe material up to 600 mm in diameter quickly and safely. With its optional protective lining, it can also pick up materials with sensitive surfaces.



### INFO

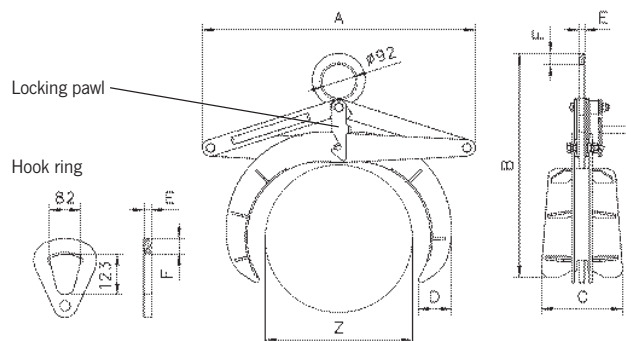
When using protective lining, it is important that the surfaces are dry, clean and free of oil and grease.

### Technical data model TRU

Model	EAN-No. 4025092*	EAN-No. 4025092* with protective lining	Capacity kg	Jaw capacity Z mm	Weight kg
TRU 0,1/150	*550918	*551632	100	50 - 150	4.2
TRU 0,5/200	*550475	*551151	500	35 - 200	13.6
TRU 1,0/200	*550949	*552165	1000	35 - 200	13.6
TRU 1,5/300	*550505	*550512	1500	80 - 300	27.0
TRU 3,0/300	*550758	*550536	3000	80 - 300	49.0
TRU 4,0/600	*551526	*550406	4000	200 - 600	204.0

### Dimensions model TRU

Model	TRU 0,1/150	TRU 0,5/200	TRU 1,0/200	TRU 1,5/300	TRU 3,0/300	TRU 4,0/600
A, mm	270	503	509	720	740	1420
B min., mm	292	417	437	520	582	930
B max., mm	458	723	745	937	960	1815
C, mm	97	150	178	204	220	318
D, mm	43	56	82	84	125	205
E, mm	8	15	15	20	20	30
F, mm	17	17	30	25	30	35



Model TRU, hook ring for grabs for 2000 kg and above. Locking pawl keeps the grab in the open position.



The picture shows a customized grab. Standard delivery without rollers as shown in technical drawing.

### Pipe grab model TR

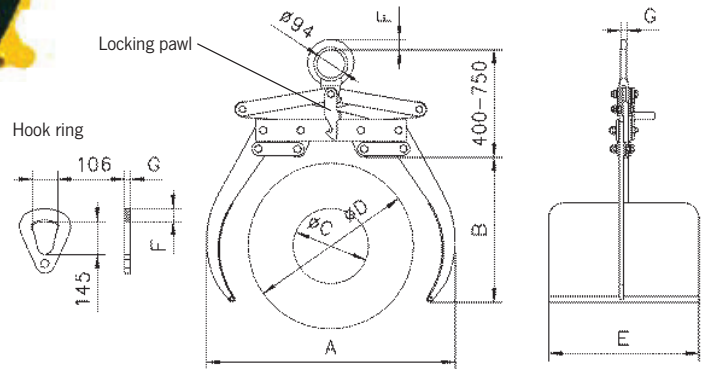
Capacity 200 - 3000 kg

The TR pipe grab for rolls and pipes up to 1050 mm in diameter offers a large variety of different applications. Apart from pipe and drums laid on their side, this lightweight pipe grab will also handle rolls of paper, fabric, sheet metal and tubes.

The grab can be ordered with a protective lining made of "Bremsit" or hard rubber for extra protection in lifting loads with sensitive surface.

### INFO

When using protective lining, it is important that the surfaces are dry, clean and free of oil and grease.



Model TR, hook ring for grabs for 2000 kg and above. Locking pawl keeps the grab in the open position.

### Technical data model TR

Model	EAN-No. 4025092*	EAN-No. 4025092* with protective lining	Capacity	Jaw capacity	Weight
			kg	mm	kg
TR 0,2/550	*553506	*552585	200	350 - 550	34
TR 0,2/650	*553513	*554978	200	450 - 650	41
TR 0,3/750	*553520	*554985	300	500 - 750	47
TR 0,5/750	*553537	*551700	500	500 - 750	47
TR 0,5/900	*553544	*552400	500	650 - 900	54
TR 0,75/1050	*552561	*554992	750	700 - 1050	56
TR 1,0/750	*553551	*555005	1000	500 - 750	55
TR 1,0/1050	*553568	*555012	1000	700 - 1050	71
TR 2,0/1050	*553575	*555029	2000	700 - 1050	135
TR 3,0/1050	*553582	*555036	3000	700 - 1050	154

### Dimensions model TR

Model	TR 0,2/550	TR 0,2/650	TR 0,3/750	TR 0,5/750	TR 0,5/900	TR 0,75/105	TR 1,0/750	TR 1,0/1050	TR 2,0/1050	TR 3,0/1050
A, mm	800	900	1100	1100	1150	1300	1000	1350	1350	1350
B, mm	565	615	665	665	765	815	665	815	815	815
Ø D, mm	550	650	750	750	900	1050	750	1050	1050	1050
E, mm	550	550	550	550	550	550	550	550	800	800
F, mm	35	35	35	35	35	35	35	35	45	45
G, mm	20	20	20	20	20	20	20	20	30	30
Ø C, mm	350	450	500	500	650	700	500	700	700	700

Profile steel grab model TPR

Capacity 500 - 3000 kg

The TPR steel grab is designed for transport of girders, profile steel, etc. It boasts a large jaw capacity, which makes it useful for various flange widths.

The clamping jaws press securely with a positive fit to the girder.

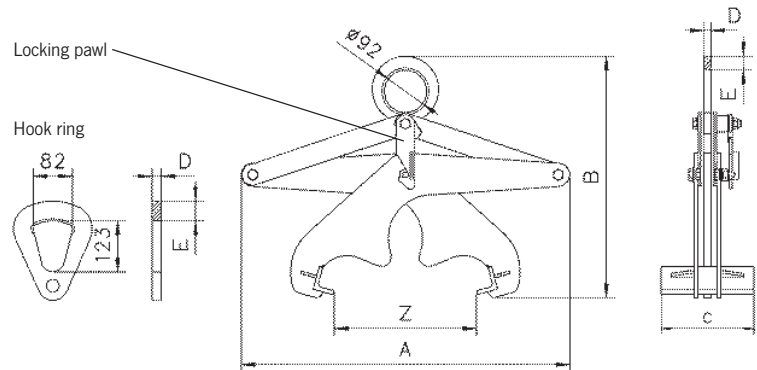


Technical data model TPR

Model	EAN-No. 4025092*	Capacity kg	Jaw capacity Z mm	Weight kg
TPR 0,5/200	*551496	500	0 - 200	15.0
TPR 1,5/300	*551045	1500	0 - 300	22.6
TPR 3,0/300	*553490	3000	0 - 300	41.7

Dimensions model TPR

Model	TPR 0,5/200	TPR 1,5/300	TPR 3,0/300
A, mm	510	710	720
B min., mm	390	495	525
B max., mm	625	830	920
C, mm	200	200	220
D, mm	15	15	20
E, mm	30	30	43



Model TPR, hook ring for grabs for 2000 kg and above. Locking pawl keeps the grab in the open position.





## Block grab model TVB

### Capacity 250 and 500 kg

The TVB block grab is useful for the transport of stone and concrete blocks and other materials with parallel surfaces. The grab has a protective lining to ensure a safe and non-marring transport.

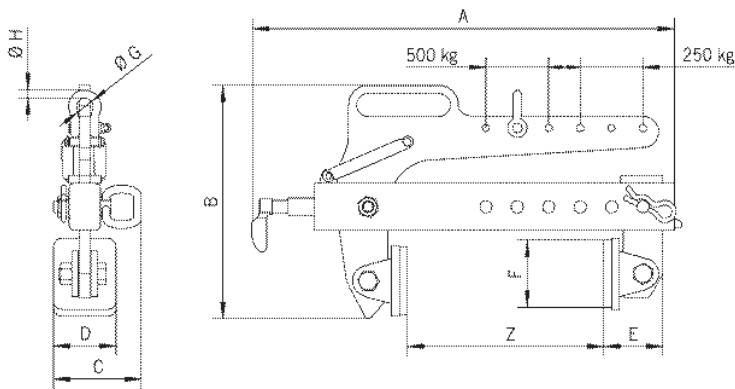
The clamping jaw and the center of gravity are easily and quickly adjustable by means of the locking pin.

## INFO

It is important that the surfaces are dry, clean and free of oil and grease.

### Technical data model TVB

Model	EAN-No. 4025092*	Capacity kg	Jaw capacity Z mm	Weight kg
TVB 500	*556989	250/500	0 - 240	13



### Dimensions model TVB

Model	TVB 500
A, mm	537
B, mm	296
C, mm	112
D, mm	80
E, mm	75
F, mm	85
Ø G, mm	22
Ø H, mm	10





Stone/concrete grab  
with small jaw capacity  
model TBG

Capacity 200 - 2500 kg

The TBG block grabs are suited for the transport of all materials with parallel surfaces that can withstand a clamping pressure twice as high as the load being lifted.

The grabs are delivered with a replaceable hard rubber protective lining as standard.



INFO

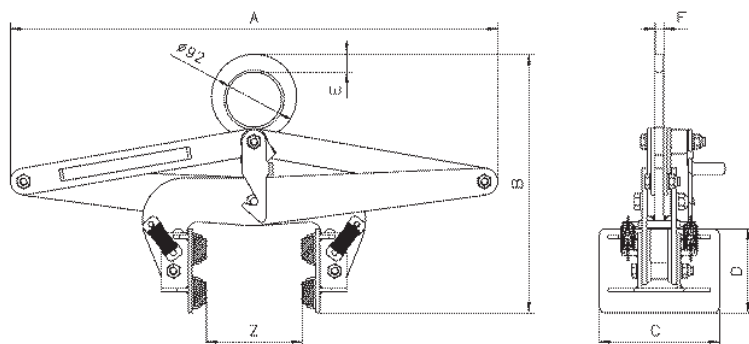
When using rubber protective lining it is important that the surfaces are dry, clean and free of oil and grease.

Technical data model TBG with small jaw capacity

Model	EAN-No. 4025092*	Capacity kg	Jaw capacity Z mm	Weight kg
TBG 0,2/150	*552141	200	0 - 150	24
TBG 0,3/150	*553599	300	0 - 150	27
TBG 0,5/150	*552455	500	0 - 150	27
TBG 1,0/250	*552356	1000	50 - 250	50
TBG 1,5/250	*552394	1500	50 - 250	50
TBG 2,5/250	*551571	2500	50 - 250	79

Dimensions model TBG with small jaw capacity

Model	TBG 0,2/150	TBG 0,3/150	TBG 0,5/150	TBG 1,0/250	TBG 1,5/250	TBG 2,5/250
A, mm	815	815	815	1050	1050	1050
B min., mm	420	420	420	460	460	460
B max., mm	760	760	760	980	980	980
C, mm	200	200	200	250	250	250
D, mm	160	160	160	160	160	160
E, mm	30	30	30	29	29	29
F, mm	15	15	15	20	20	25





Stone/concrete grab with large jaw capacity model TBG

Capacity 200 - 5000 kg

The units are delivered with protective linings as standard.



Technical data model TBG with large jaw capacity

Model	EAN-No. 4025092*	Capacity kg	Jaw capacity Z mm	Weight kg
TBG 0,2/500	*551489	200	200 - 500	49
TBG 0,3/700	*551816	300	400 - 700	52
TBG 0,5/900	*552288	500	600 - 900	55
TBG 1,0/400	*553612	1000	100 - 400	51
TBG 1,0/1100	*552134	1000	800 - 1100	72
TBG 1,5/1300	*553605	1500	1000 - 1300	128
TBG 2,0/500	*553629	2000	200 - 500	126
TBG 3,0/500	*553636	3000	200 - 500	160
TBG 4,0/500	*553643	4000	200 - 500	240
TBG 5,0/500	*553650	5000	200 - 500	270

INFO

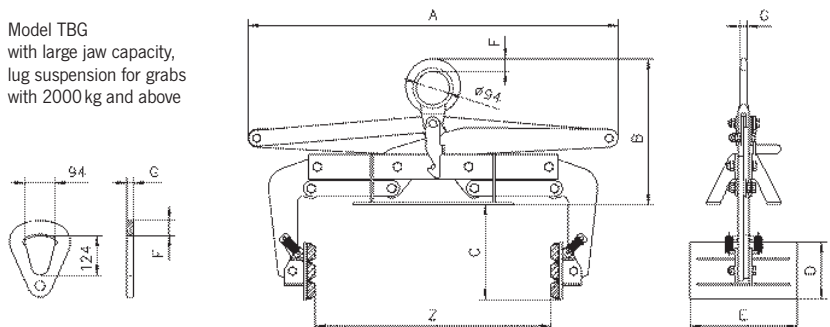
When using rubber protective lining it is important that the surfaces are dry, clean and free of oil and grease.

Dimensions model TBG with large jaw capacity

Model	TBG 0,2/500	TBG 0,3/700	TBG 0,5/900	TBG 1,0/400	TBG 1,0/1100	TBG 1,5/1300	TBG 2,0/500	TBG 3,0/500	TBG 4,0/500	TBG 5,0/500
A <sup>1</sup> , mm	1040	1040	1120	1040	1320	1520	1100	1100	1100	1100
B min., mm	390	390	390	390	390	390	530	530	600	600
B max., mm	840	840	840	840	840	840	1120	1120	1190	1190
C, mm	275	275	275	250	275	275	250	250	250	250
D, mm	160	160	160	160	160	160	160	160	160	160
E, mm	300	300	300	300	300	300	350	350	350	350
F, mm	35	35	35	35	35	35	36	42	48	48
G, mm	20	20	20	20	20	20	25	30	35	35

<sup>1</sup> Scissor dimensions

Model TBG with large jaw capacity, lug suspension for grabs with 2000 kg and above



## Bale grab model TBA

### Capacity 200 - 1000 kg

The TBA bale grab transports bales of fiber, wool, fabric, paper, pressed straw and various types of shavings up to a width of 1.3m. Bales are gripped safely yet gently, and where applicable, the clamps are lined with a soft and pliable material.

The locking pawl only engages if the grab is opened without manual intervention.



## INFO

The standard grab is equipped with protective linings.

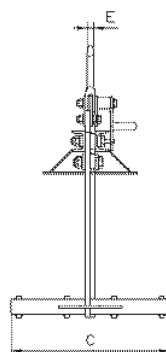
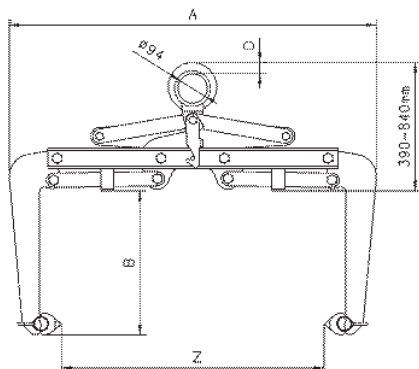
Serrated jaws available on request.

### Technical data model TBA

Model	EAN-No. 4025092*	Capacity kg	Jaw capacity Z mm	Weight kg
TBA 0,2/700	*553667	200	250 - 700	40
TBA 0,3/900	*552080	300	450 - 900	42
TBA 0,5/1100	*552776	500	650 - 1100	45
TBA 0,75/1300	*552035	750	850 - 1300	62
TBA 1,0/1300	*553674	1000	850 - 1300	62

### Dimensions model TBA

Model	TBA 0,2/700	TBA 0,3/900	TBA 0,5/1100	TBA 0,75/1300	TBA 1,0/1300
A, mm	890	1090	1290	1550	1550
B, mm	420	420	420	420	420
C, mm	500	500	500	500	500
D, mm	35	35	35	35	35
E, mm	20	20	20	20	20



Model TBA 0.2-1 t  
with serrated jaw



### Rail grab with safety lock model TCR

Capacity 1000 - 2000 kg

The TCR rail grab transports rails, as used by railways, easily and safely. A safe grip is ensured by the lever operated safety lock. For long rails, two grabs must be attached to a spreader beam to avoid sagging.

Since the rails are primarily grabbed with positive fit, it is important that the clamp stays in a vertical position during initial lift.

### INFO

For special sizes please advise rail type and profile!

A TCR multiple rail system is also available for the simultaneous transport of up to 12 rails.

For rail jacks please see page 114.

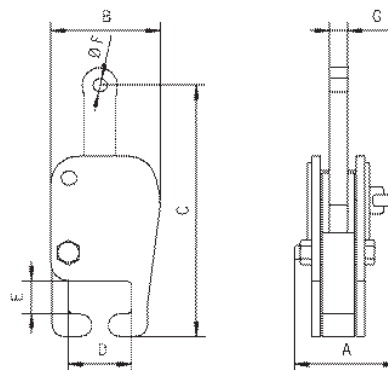
#### Technical data model TCR

Model	EAN-No. 4025092*	Capacity kg	Weight kg
TCR 1,0	*550802	1000	12.4
TCR 2,0	*551076	2000	13.9

#### Dimensions model TCR

Model	TCR 1,0	TCR 2,0
A <sup>1</sup> , mm	144	144
B, mm	152	163
C, mm	350	350
D, mm	90	90
E, mm	46	46
Ø F, mm	20	20
G, mm	25	25

<sup>1</sup> Scissor dimensions



## Inside grab model TDI

Capacity 100 - 5000 kg

Inside grabs are available in three versions for the handling of cylindrical and rectangular hollow bodies. The clamping jaws are available with optional steel jaws, hard manganese serrated jaws or jaws with protective lining, which are designed to grab a variety of shapes and materials. These inside grabs can be equipped with an automatic opening and closing device.

Ideal especially for wire coils and hollow bodies.



## INFO

For inside grabs with jaws with protective lining, the inside surface of the material must be free of oil and grease!

When ordering, please advise the requested version!

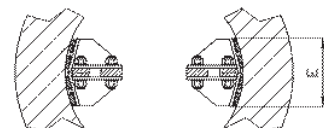
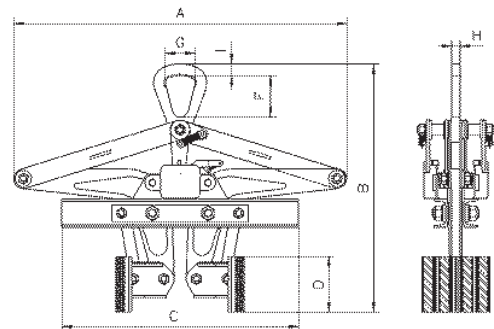
## Technical data model TDI

Model	EAN-No. 4025092*	Capacity kg	Jaw capacity mm	Weight kg
TDI 0,1/420	*551410	100	220 - 420	17
TDI 0,5/600	*552066	500	400 - 600	51
TDI 1,0/600	*553704	1000	400 - 600	53
TDI 2,0/800	*553711	2000	550 - 800	150
TDI 3,0/800	*553728	3000	550 - 800	175
TDI 5,0/800 <sup>1</sup>	*553735	5000	550 - 800	220

<sup>1</sup> with hard manganese serrated jaws

## Dimensions model TDI

Model	TDI 0,1/420	TDI 0,5/600	TDI 1,0/600	TDI 2,0/800	TDI 3,0/800	TDI 5,0/800
A, mm	790	1200	1200	1400	1450	1450
B, mm	455	610	600	830	920	795
C, mm	550	800	900	1100	1000	1000
D, mm	80	100	100	120	160	160
E, mm	90	160	160	220	220	65
F, mm	-	-	-	124	151	151
G, mm	Ø 60	Ø 92	Ø 92	83	107	107
H, mm	15	15	15	30	30	35
I, mm	22	30	30	42	42	42





Model TCU



Model TCO



Container lifting lugs model TCO

## Container lifting lugs model TCO and model TCU

Capacity 32000 - 56000 kg

These container lifting lugs are offered in a set of 4 pieces with a total weight capacity of 56 t.

The lugs serve as flexible attachment points for the transport of containers. Two types are available which can be fastened to either the “top” or to the “bottom” of the container.

Model TCO is vertically mounted in the hole at the top of the container. Turning the TCO 90°, locks it securely in place.

Model TCU is mounted on the bottom fixing hole on the container and has a spring-loaded bolt to prevent an accidental release.

Transport is done with the use of a spreader beam in conjunction with wire rope, chain or textile slings making sure the load is suspended vertically.

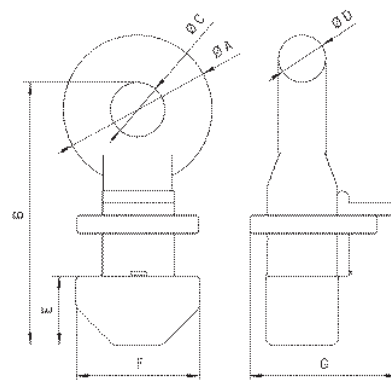
### Technical data model TCO and model TCU

Model	EAN-No. 4025092*	Capacity <sup>1</sup> kg	Weight <sup>1</sup> kg	Angle from the vertical
TCU 32	*556927	32000	19.5	50°
TCU 40	*556927	40000	19.5	36°
TCO 56	*556965	56000	30.1	vertical

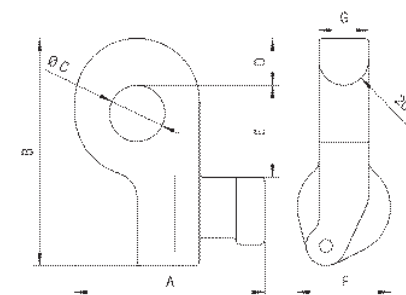
<sup>1</sup> set of 4 pieces

### Dimensions model TCO and model TCU

Model	TCU 32	TCU 40	TCO 56
A, mm	152	152	123
B, mm	181	181	217
Ø C, mm	45	45	45
D, mm	37	37	39
E, mm	73	73	57
F, mm	75	75	101
G, mm	40	40	121



Model TCO



Model TCU

## Clamps for cable drums model TKB

### Capacity 5000 kg

Specifically designed for the transport of cable drums, these clamps are used in pairs together with a two-legged chain sling.

By the spreading of the clamp, it locks inside the drum.

The clamps can be held in place by a locking lever.

Easy handling, light-weight design, and the size of the clamp contribute to a safe transport of all types of cable drums.



## INFO

Various sizes are available on request.  
Please supply dimensions C and D!

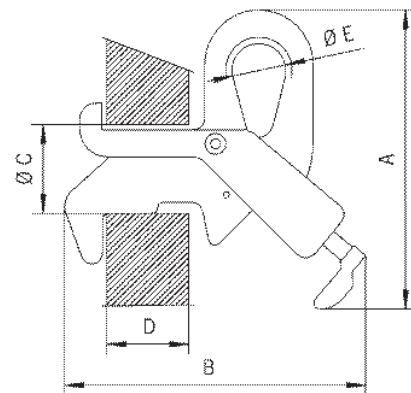
### Technical data model TKB

Model	EAN-No.	Capacity <sup>1</sup> kg	Weight kg
TKB	4025092* *556606	5000	11

<sup>1</sup> Per pair

### Dimensions model TKB

Model	TKB
A, mm	277
B, mm	277
Ø C, mm	82
D, mm	85
Ø E, mm	50







## C-Hook model TCK

### Capacity 500 - 10000 kg

Coils, rolls, rings and similar items are transported safely with the Tigrip C-Hooks. Tine length and usable height with the most frequently encountered coil sizes are listed in the table below.

Other working loads, measurements, and models, such as C-Hooks with automatic balancing device, are available on request.

## INFO

Illustration shows tines with 4/4 the length of the coil width (special).

### Technical data model TCK

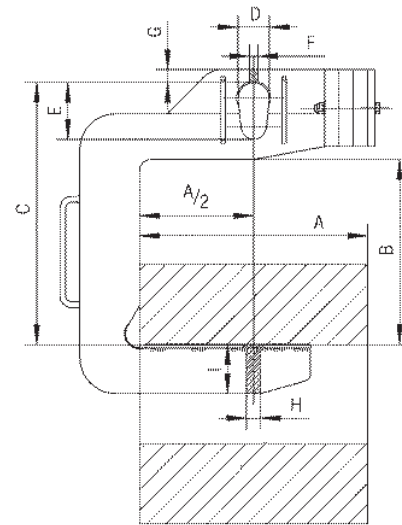
Model	EAN-No. 4025092*	Capacity kg	Weight kg
TCK 0,5/300	*554800	500	21
TCK 0,5/500	*552417	500	30
TCK 0,5/800	*554817	500	46
TCK 1,0/300	*554824	1000	28
TCK 1,0/500	*554831	1000	40
TCK 1,0/800	*552783	1000	95
TCK 2,0/300	*554848	2000	45
TCK 2,0/500	*551830	2000	90
TCK 2,0/800	*552615	2000	140
TCK 2,0/1000	*552479	2000	180
TCK 3,0/300	*554855	3000	68
TCK 3,0/500	*554862	3000	127
TCK 3,0/800	*552431	3000	165
TCK 3,0/1000	*554879	3000	215
TCK 5,0/500	*551298	5000	184
TCK 5,0/800	*554886	5000	238
TCK 5,0/1000	*554893	5000	286
TCK 5,0/1250	*554909	5000	364
TCK 7,5/800	*555043	7500	390
TCK 7,5/1000	*551984	7500	520
TCK 7,5/1250	*551878	7500	650
TCK 7,5/1500	*554916	7500	767
TCK 10,0/1000	*554923	10000	772
TCK 10,0/1250	*551670	10000	810
TCK 10,0/1500	*554930	10000	980

Dimensions model TCK

Model	TCK 0,5/300	TCK 0,5/500	TCK 0,5/800	TCK 1,0/300	TCK 1,0/500	TCK 1,0/800	TCK 2,0/300	TCK 2,0/500	TCK 2,0/800	TCK 2,0/1000
Coil width A, mm	300	500	800	300	500	800	300	500	800	1000
Usable height B, mm	400	400	400	450	450	450	500	500	500	500
C, mm	570	580	580	620	630	630	700	700	720	720
D, mm	60	60	60	60	60	60	75	75	75	75
E, mm	120	120	120	120	120	120	150	150	150	150
F, mm	20	20	25	25	20	30	25	30	30	20
G, mm	25	23	23	23	23	23	38	38	38	35
H, mm	20	20	25	20	25	30	25	30	30	40
I, mm	50	65	70	70	80	90	90	110	125	125

Model	TCK 3,0/300	TCK 3,0/500	TCK 3,0/800	TCK 3,0/1000	TCK 5,0/500	TCK 5,0/800	TCK 5,0/1000	TCK 5,0/1250	TCK 7,5/800	TCK 7,5/1000
Coil width A, mm	300	500	800	1000	500	800	1000	1250	800	1000
Usable height B, mm	500	500	500	500	550	550	550	550	600	600
C, mm	700	700	720	720	800	800	820	820	900	900
D, mm	75	75	75	75	100	100	100	100	110	110
E, mm	150	150	150	150	200	200	200	200	220	220
F, mm	30	20	25	20	25	30	30	30	35	35
G, mm	38	40	40	40	45	45	45	45	50	50
H, mm	30	30	40	40	40	50	50	50	50	60
I, mm	105	125	140	155	145	160	180	200	200	200

Model	TCK 7,5/1250	TCK 7,5/1500	TCK 10,0/1000	TCK 10,0/1250	TCK 10,0/1500
Coil width A, mm	1250	1500	1000	1250	1500
Usable height B, mm	600	600	650	650	650
C, mm	900	920	980	1000	1000
D, mm	110	110	130	130	130
E, mm	220	220	250	250	250
F, mm	35	35	40	45	45
G, mm	45	50	50	55	55
H, mm	60	70	70	70	80
I, mm	220	220	220	240	240





## Coil hook model TCS

### Capacity 500 - 3000 kg

The TCS coil hook is an universal C-Hook. Due to its tipping feature, it can lift or lower the coil, whether the coil is lying flat or is in an upright position. With this tipping device, the coil is tipped safely through 90°.

The slow and safe movement of the tipping device ensures a continuous flowing movement when lifting or lowering the coil. At the same time, the tipping device serves the purpose of preventing accidental slipping of the load during transport.

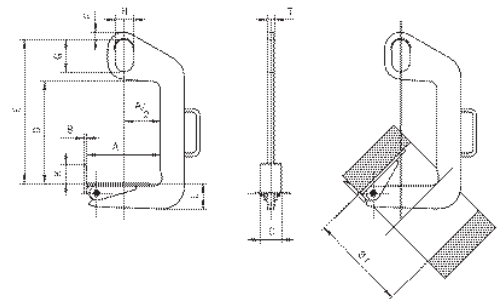
## INFO

Other sizes and models available on request.



## Technical data model TCS

Model	EAN-No. 4025092*	Capacity kg	Weight kg
TCS 0,5/120	*554947	500	6.9
TCS 0,5/200	*552257	500	9.6
TCS 1,0/200	*552264	1000	15.4
TCS 1,0/300	*552875	1000	20.0
TCS 2,0/200	*551977	2000	24.8
TCS 2,0/300	*551908	2000	33.4
TCS 3,0/200	*552011	3000	45.0
TCS 3,0/300	*552714	3000	51.0



## Dimensions model TCS

Model	TCS 0,5/120	TCS 0,5/200	TCS 1,0/200	TCS 1,0/300	TCS 2,0/200	TCS 2,0/300	TCS 3,0/200	TCS 3,0/300
Coil width A min., mm	50	100	100	200	100	200	100	200
Coil width A max., mm	120	200	200	300	200	300	200	300
B, mm	10	10	10	10	12	12	15	15
C, mm	60	60	80	80	90	90	100	100
D, mm	330	330	460	460	420	420	610	610
E, mm	470	470	600	600	600	600	820	820
F, mm	20	20	20	20	30	30	40	40
G, mm	110	110	110	110	135	135	160	160
H, mm	60	60	60	60	75	75	90	90
K, mm	50	50	60	60	80	80	100	100
L, mm	45	50	65	70	85	95	100	110
T, mm	20	20	25	25	30	30	35	35
Ø I, mm	220	300	300	400	300	400	300	400

**Barrel grab for transport of upright barrels model TFA**

Capacity 300 kg

This unit grabs upright barrels and sets them down in the same position. Although the clamping jaws are fitted with a hard rubber lining to provide a friction hold, it is the positive fit on the rim that provides extra safety. This additional feature is indispensable if the surface of the barrels is stained with oil or grease.

The clamping jaws fitted with a protective lining enable the non-marring and secure grab around the circumference of the barrel. The clamp is suitable for standard type barrels.

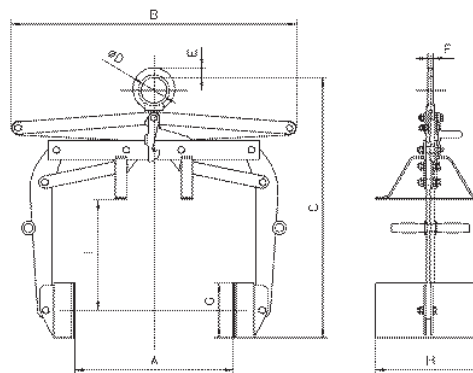


**Technical data model TFA**

Model	EAN-No. 4025092*	Capacity kg	Jaw capacity Z diameter mm	Weight kg
TFA 0,3/600	*557009	300	400 - 600	57

**Dimensions model TFA**

Model	TFA 0,3/600
A, mm	600
B, mm	1040
C, mm	950
Ø D, mm	90
E, mm	34
F, mm	15
G, mm	200
H, mm	400
I, mm	400



**INFO**

For barrels according to EN ISO 15750-2.



## Barrel grab with tipping device model TFA D

Capacity 300 kg

The grab with tipping device is suited to lift, transport as well as tipping and emptying the barrel.

In order to tip the barrel easily, it must be picked up at the correct center of gravity.



## INFO

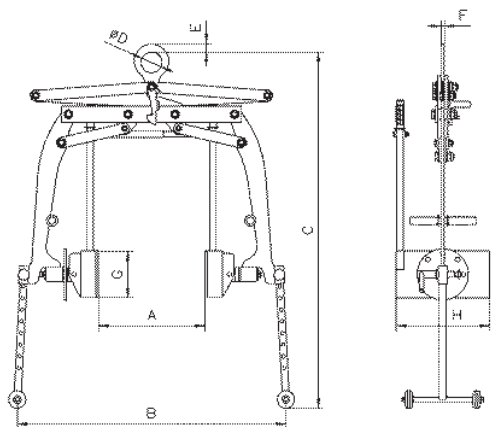
For barrels according to EN ISO 15750-2.

### Technical data model TFA D

Model	EAN-No. 4025092*	Capacity kg	Jaw capacity Z diameter mm	Weight kg
TFA 0,3/600 D	*557917	300	400 - 600	83

### Dimensions model TFA D

Model	TFA 0,3/600 D
A, mm	600
B, mm	1150
C, mm	1525
Ø D, mm	90
E, mm	34
F, mm	15
G, mm	200
H, mm	400



**Barrel grab**  
**model TFA 0,35/700 R**  
**and TFA 0,35/700 TR**

Capacity 350 kg

These barrel grabs are designed for transport of steel barrels. The clamping jaws press securely with a positive fit underneath the rim of the barrel.



Model TFA-R



Model TFA-TR

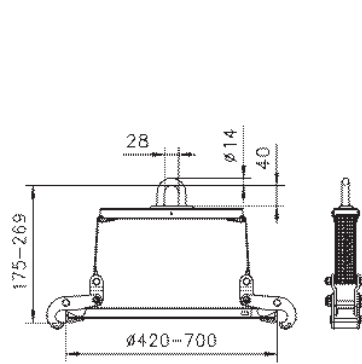
**INFO**

TFA 0,35/700 TR is a combination unit for the transport of barrels that can be used with either an overhead crane or forklift.

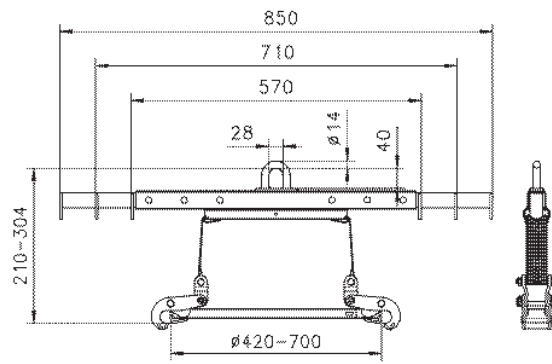
For barrels according to EN ISO 15750-2.

**Technical data model TFA R/TR**

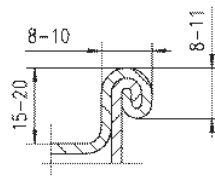
Model	EAN-No. 4025092*	Capacity kg	Jaw capacity Z diameter mm	Weight kg
TFA 0,35/700 R	*551014	350	420 - 700	5.7
TFA 0,35/700 TR	*551472	350	420 - 700	9.2



Model TFA-R



Model TFA-TR



Relevant barrel dimensions



### Barrel rim clamp model TFRK

Capacity 500 kg

The TFRK barrel rim clamp can be used individually, as a pair, or as a multi-legged chain sling.

The clamp grabs under the rim of the barrel. A spring-loaded cam prevents the accidental opening of the clamp.

### INFO

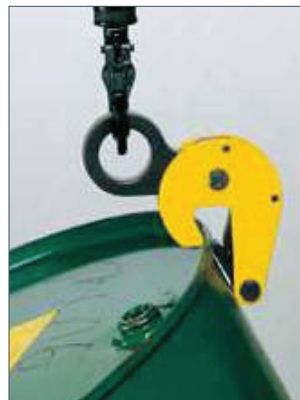
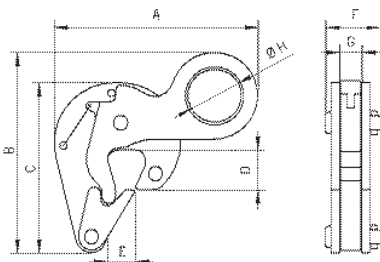
For barrels according to EN ISO 15750-2.

#### Technical data model TFRK

Model	EAN-No.	Capacity kg	Weight kg
	4025092*		
TFRK	*556415	500	1.5

#### Dimensions model TFRK

Model	TFRK 0,5
A, mm	152
B, mm	150
C, mm	127
D, mm	30
E, mm	21
F, mm	41
G, mm	17
Ø H, mm	40





### Barrel clamp model TFK

Capacity 500 kg

Its light weight and small overall design makes it ideal for lifting barrels where access or space is limited.

The center of gravity of the barrel is the lifting point during transport.



### INFO

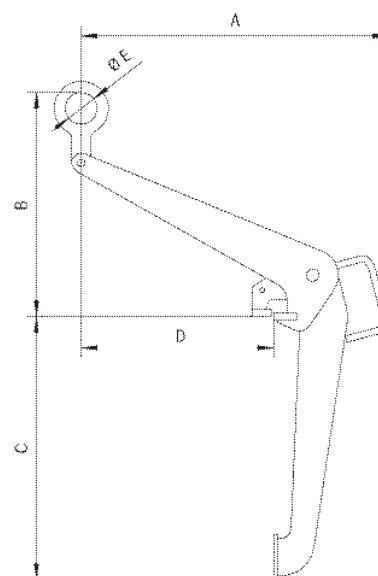
For barrels according to EN ISO 15750-2.

### Technical data model TFK

Model	EAN-No.	Capacity kg	Weight kg
TFK 0,5	4025092* *556071	500	7.3

### Dimensions model TFK

Model	TFK 0,5
A, mm	479
B, mm	350
C, mm	410
D, mm	300
Ø E, mm	50





## Crate grab with tipping device model TKA/d

### Capacity 150 kg

The crate grab with tipping device is an absolutely safe unit, which not only securely transports stacking boxes, but can empty them in mid-air as well.

A safety lever system prevents the accidental opening of the grab.

The clamping jaws tightly grab under the rim of the crate without damaging the crate. To engage the tipping motion in order to empty the crate, the safety lock must be manually unlocked. The tipping motion is limited to 100°. This prevents the crate from flipping completely over while emptying, thereby reducing the risk of injury.

### Option

- Grabs for other sizes of crates.

## INFO

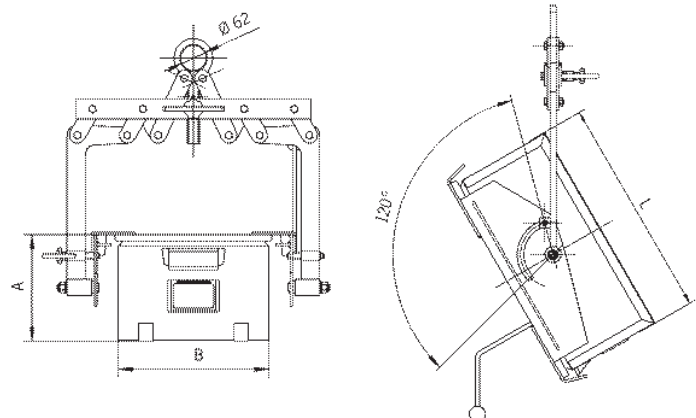
Please provide the crate dimensions or a sample crate when ordering.

### Technical data model TKA/d

Model	EAN-No. 4025092*	Capacity kg	Weight kg
TKA 0,15/330d	*551519	150	25.8
TKA 0,15/480d	*552103	150	26.0

### Dimensions model TKA/d

Model	TKA 0,15/330d	TKA 0,15/480d
A, mm	200 - 300	300
B, mm	315 - 330	470 - 480
L, mm	465 - 540	550 - 660



### Crate grab model TKA a/i

#### Capacity 250 kg

The easy-handling crate grab, which grabs on the side plates or the front sides of the crate, transports crates safely and without damaging them.

The moveable jaws press the edge of the crate gently against the outside grab support rails. Stacking boxes made of steel or plastic will not get deformed. After the box has been set down, the safety device holds the grab open.

When lifting the crate and grabbing the support rails, the safety device must be manually pulled back until it lies over the safety bolt. With further lifting, the jaws grab under the outer top edge of the crate and lift it up safely.

The crate grab is available as an external or internal operating grab.



Model TKA.../...a external operating



Model TKA.../...i internal operating



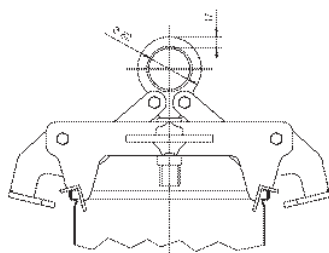
Model TKA.../...i internal operating

### INFO

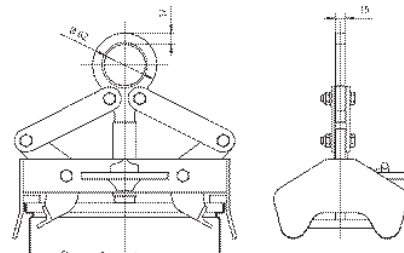
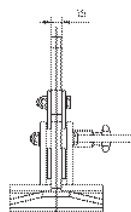
Please provide the crate dimensions or a sample crate when ordering.

### Technical data model TKA a/i

Model	EAN-No. 4025092*	Capacity kg	Weight kg	Jaw capacity mm
TKA 0,25/320a	*558082	250	9.3	320
TKA 0,25/480a	*558044	250	9.3	480
TKA 0,25/600a	*558099	250	9.3	600
TKA 0,25/320i	*558051	250	8.5	320
TKA 0,25/480i	*558068	250	8.5	480
TKA 0,25/600i	*558075	250	8.5	600



Model TKA.../...a external operating



Model TKA.../...i internal operating



## Concrete pipe lifting gear model BTG

Capacity 1500 - 3000 kg

Lifting gear for the vertical transport of concrete pipe and culverts must be very versatile. Most important, it must be absolutely safe and easy to handle under even the harshest conditions.

The Tigrip concrete pipe lifting gear meets all these requirements. It is a three legged lifting system for the safe and non-marring transport of concrete pipes up to a diameter of Ø 2000 mm and a load of up to 3t.

The jaw capacity is designed for concrete pipe thicknesses from 40 - 220 mm. Attachment and removal of the clamps can be done easily due to the handles that have been incorporated into each clamp.

### Features

- Solid design
- Safety factor 4:1
- Simple and safe handling
- Large jaw capacity
- For the toughest operating conditions
- Lightweight design
- Service-friendly

## INFO

For concrete pipes according to DIN 4034.

Lifting gear for concrete pipe up to a diameter of Ø 3000 mm available on request!



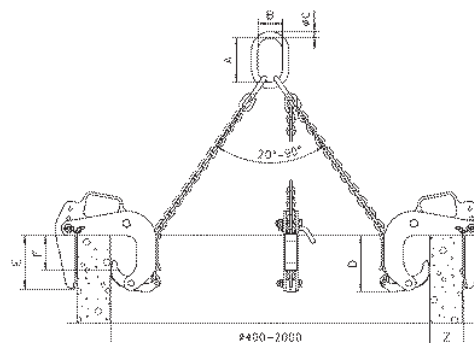
### Technical data model BTG

Model	EAN-No. 4025092*	Capacity <sup>1</sup> kg	Jaw capacity Z mm	Mouth depth E mm	Pressure line F mm	Weight kg
BTG 1,5/120	*550147	1500	40 - 120	165	100	35
BTG 3,0/180 TM-N	*551199	3000	50 - 180	245	175	90
BTG 3,0/220 TM-N	*550819	3000	90 - 220	245	175	94

<sup>1</sup> Per lifting gear - three legged

### Dimensions model BTG

Model	BTG 1,5/120	BTG 3,0/180 TM-N	BTG 3,0/220 TM-N
A, mm	135	180	180
B, mm	75	100	100
Ø C, mm	18	26	26
D, mm	180	310	310



## Trench shield grab model TCP

Capacity 1500 - 5500 kg

The TCP grab is suitable for vertical positioning and transportation of trench shields.

Once the grab is set onto the trench shield, a spring-loaded bolt locks itself into the hole of the shield. Releasing the bolt is done with the 15 m pull cord attached to the grab.

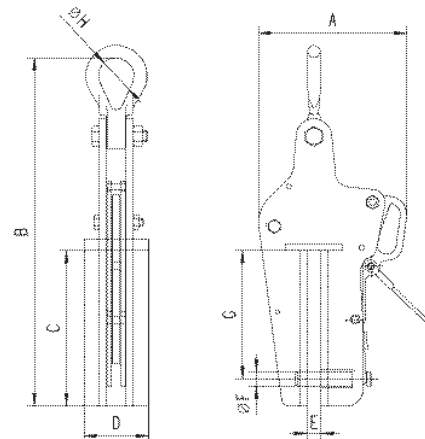


### Technical data model TCP

Model	EAN-No. 4025092*	Capacity kg	Weight kg
TCP 1,5	*555807	1500	12.2
TCP 3,0	*555791	3000	19.5
TCP 5,5	*555784	5500	26.7

### Dimensions model TCP

Model	TCP 1,5	TCP 3,0	TCP 5,5
A, mm	207	226	269
B, mm	488	517	575
C, mm	218	218	218
D, mm	90	100	120
E, mm	18	24	24
Ø F, mm	20	24	30
G, mm	180	180	180
Ø H, mm	50	63	89





### Trench shield clamp model TPP

Capacity 3000 - 12000 kg

The TPP trench shield clamp is similar to a regular plate clamp in its construction but has a much deeper jaw.

The compact construction combined with a high capacity makes it ideal for pulling trench shields out of the ground.

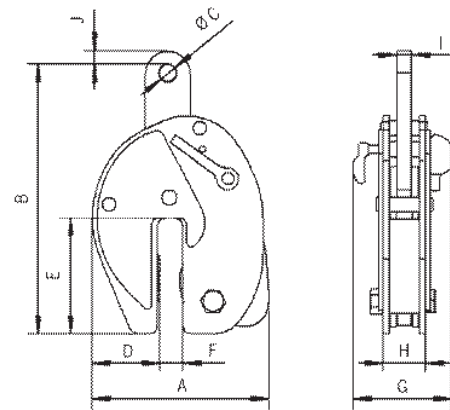
A safety lock prevents the accidental opening of the clamp.

#### Technical data model TPP

Model	EAN-No. 4025092*	Capacity kg	Jaw capacity mm	Weight kg
TPP 3	*556255	3000	0 - 20	16.0
TPP 8	*556217	8000	0 - 30	27.8
TPP 12	*556231	12000	0 - 30	53.0

#### Dimensions model TPP

Model	TPP 3	TPP 8	TPP 12
A, mm	224	294	361
B, mm	325	445	486
Ø C, mm	20	30	40
D, mm	88	109	145
E, mm	147	194	190
F, mm	25	42	41
G, mm	123	146	167
H, mm	60	72	90
I, mm	20	25	30
J, mm	18	26	32





### Pipe hook model TRO

Capacity 2000 - 10000 kg

The pipe hooks are used in pairs for the safe transport of pipes.

#### Scope of delivery

The shackles are included with the hooks.



#### Technical data model TRO for 60° - 90° chain-top angle

Model	EAN-No. 4025092*	Capacity <sup>1</sup> kg	Weight <sup>1</sup> kg
TRO 2/90	*556729	2000	3.1
TRO 4/90	*556743	4000	5.6
TRO 6/90	*556767	6000	10.5
TRO 8/90	*556781	8000	17.8
TRO 10/90	*556804	10000	22.0

<sup>1</sup> Per pair

#### Dimensions model TRO for 60° - 90° chain-top angle

Model	TRO 2/90	TRO 4/90	TRO 6/90	TRO 8/90	TRO 10/90
t, mm	20	30	30	40	40
A, mm	0 - 40	0 - 50	0 - 60	0 - 70	0 - 80
B, mm	35	40	51	55	69
C, mm	40	48	62	67	80
D, mm	62	77	90	105	115
E, mm	62	77	90	105	115
F, mm	116	142	173	190	221
Ø G, mm	16.3	24.3	24.3	30.3	30.3
H, mm	47.6	72.2	72.2	95.3	95.3
Ø I, mm	12.7	19	19	25.4	25.4
J, mm	30.2	44.5	44.5	58.7	58.7

#### Technical data model TRO for 90° - 120° chain-top angle

Model	EAN-No. 4025092*	Capacity <sup>1</sup> kg	Weight <sup>1</sup> kg
TRO 2/120	*556828	2000	3.5
TRO 4/120	*556842	4000	8.8
TRO 6/120	*556866	6000	14.9
TRO 8/120	*556880	8000	18.6
TRO 10/120	*556903	10000	23.0

<sup>1</sup> Per pair

#### Dimensions model TRO for 90° - 120° chain-top angle

Model	TRO 2/120	TRO 4/120	TRO 6/120	TRO 8/120	TRO 10/120
t, mm	20	30	40	40	50
A, mm	0 - 30	10 - 40	20 - 50	30 - 65	30 - 75
B, mm	34	39	43	54	60
C, mm	40	50	55	65	70
D, mm	82	95	106	119	143
E, mm	75	80	95	100	125
F, mm	106	131	153	185	208
Ø G, mm	16.3	24.3	30.3	30.3	36.3
H, mm	30.2	44.5	58.7	58.7	73
Ø I, mm	12.7	19	25.4	25.4	31.8
J, mm	47.6	72.2	95.3	95.3	117

