

Round, flexible, simple, ...
 For every application case there is one that fits
Pipes

D-coat pipe

+ ABS coating

Steel pipe is coated with ABS plastic with an additional coating of the new PA-ABS material

+ Best chemical resistance

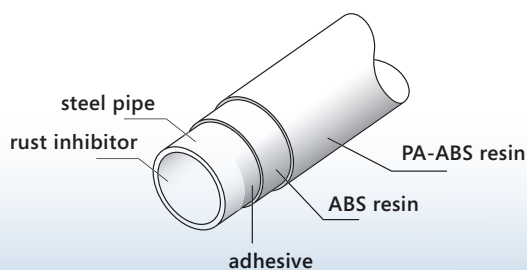
Compared to the conventional ABS coating pipe, D-COAT pipe is outstanding in oil resistance and chemical resistance; in particular, salinity, rust preventative oil or cutting oil does not cause cracks or discolouration of the pipe

+ Colourful

Comes in a variety of colours for use in various items or per company's image

+ Excellent durability

With outstanding durability, this pipe is easily processed; rustproof coating inside the pipe provides superior corrosion resistance



Standard pipes colours

green (-N)

sky blue (-S)

dark blue (-K)

red (-R)

orange (-O)

yellow (-YE)

ivory (-I)

grey (-G)

metallic grey (-VG)

dust grey (-HG)

stone grey (-RG)

dark grey (-Y)

black (-B)

white (-W)

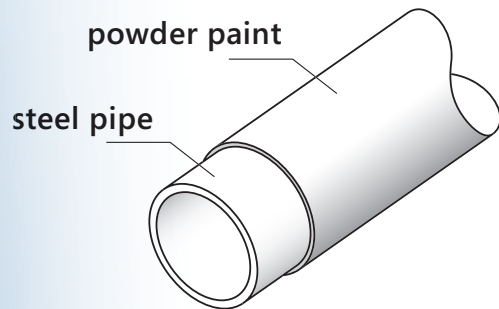
spiral shaped

Note: reference is made in the following pages to a simplified \varnothing 28 mm; the exact diameter is 27.6 +0.15/-0.10 mm.

SUS pipe



- + Environmentally friendly**
100% reusable
- + High stability and durability**
Surface resistant to fading or contact with metal tools
- + Best chemical resistance**
Absolutely resistant to oils, solvents, bleaches, etc.
- + Non-flammable**
Naturally non-combustible
- + Conductive (hard conductivity)**



ESD pipes colours

grey (EG -G)

black (-B)

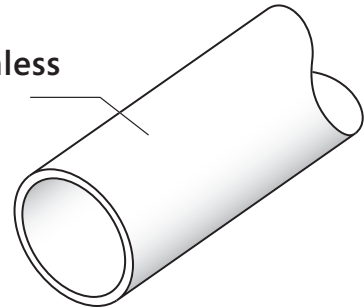
black stripped / ivory (-L)

metallic silver (-MS)

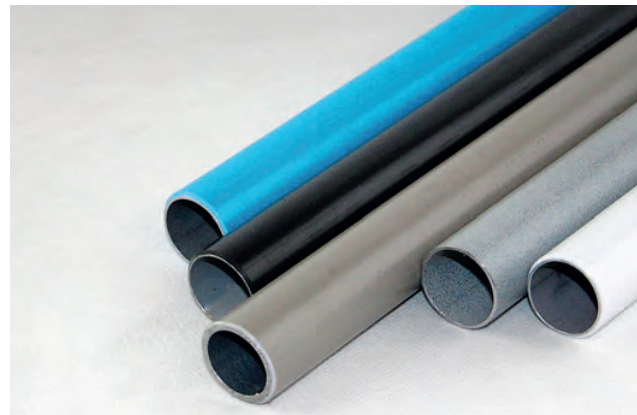
SUS pipe (-PF)

The colours shown may vary from the actual ones due to printing limitations.

Ferritic stainless steel pipe



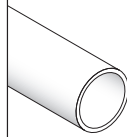
Eco pipe



- + Environmentally friendly**
100% reusable
- + Colourful**
Comes in a variety of colours
- + Chemical resistant**
High resistance to oil, UV light and corrosion
- + Non-flammable**
No emission of toxic fumes in fire
- + Electrolytic corrosion free**
Free of electrolytic corrosion

**Round pipe
D-Coat-Pipe**

Pipe



Standard pipe	Ø 28 x 0,7		28 x 1,0		28 x 2,0		32 x 0,7		32 x 1,0	
green (-N)	100167	DP2807-N	100174	DP2810-N	100181	DP2820-N				
sky blue (-S)	112823	DP2807-S	100188	DP2810-S	100203	DP2820-S				
dark blue (-K)	100168	DP2807-K	100175	DP2810-K	100182	DP2820-K				
red (-R)	100172	DP2807-R	100179	DP2810-R	100186	DP2820-R				
orange (-O)	100198	DP2807-O	100199	DP2810-O	100200	DP2820-O				
yellow (-YE)	100195	DP2807-YE	100196	DP2810-YE	100197	DP2820-YE				
ivory (-i)	100173	DP2807-i	100180	DP2810-i	100187	DP2820-i				
grey (-G)	100169	DP2807-G	100176	DP2810-G	100183	DP2820-G				
metallic grey (-VG)	109999	DP2807-VG	110000	DP2810-VG	109747	DP2820-VG	121094	DP3207-VG		
dust grey (-HG)	100207	DP2807-HG	100201	DP2810-HG	100202	DP2820-HG				
stone grey (-RG)	100190	DP2807-RG	100194	DP2810-RG	100189	DP2820-RG				
dark grey (-Y)	100170	DP2807-Y	100177	DP2810-Y	100184	DP2820-Y			115146	DP3210-Y
black (-B)	100171	DP2807-B	100178	DP2810-B	100185	DP2820-B				
white (-W)	100191	DP2807-W	100192	DP2810-W	100193	DP2820-W				
spiral shaped yellow/black			113741	SP2809						



ESD-version

black (-B)	100231	EP2807-B	100232	EP2810-B	100233	EP2820-B				
grey (-G)										
black stripped (-L)			100280	CL2810-L						
metallic silver										

**SUS-Pipe
Pipe**

**Eco-Pipe
Pipe**

Standard pipe	28 x 0,7	28 x 0,9	28 x 1,2	32 x 1,2	28 x 0,7	28 x 1,2	28 x 2,0
metallic grey (-VG)							130562 G-2820-VG
galvanized			115549 Z2812				
dark blue (-K)							131833 G-2820-K



ESD-version

grey (-G)								100208	EG2807-G	100211	EG2812-G		
metallic silver	100572	S2807-PF	113573	S2809-PF	100573	S2812-PF	112627	S3212-PF		100213	EG2812-MS		

Explanatory notes

- The colours shown may vary from the actual ones due to printing limitations.
- Ø 28 mm: the exact diameter is 27.6 +0.15/-0.10 mm.

Ordering information

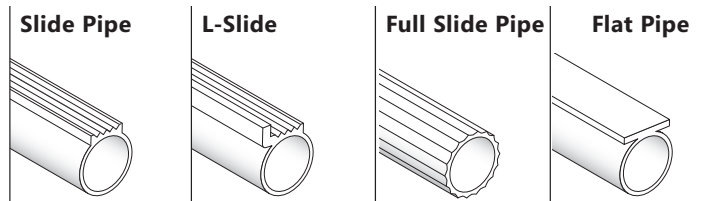
• **Warehouse status**

Priority goods available on request

“Priority goods” can be supplied immediately; in the case of “on request” product delivery times of around 6 – 8 weeks should be reckoned with.

- **Standard pipe length:** 4 m shorter pipe lengths on application.

**Profile pipe
D-Coat-Pipe**



Standard pipe	Slide Pipe 28 x 1,0		L-Slide 28 x 1,0		Full Slide Pipe 28 x 0,9	Flat Pipe 28 x 1,0	
● dark blue (-K)	100555	CS2810-K	100282	LS2810-K		100272	CF2810-K
● ivory (-i)						100277	CF2810-i
● grey (-G)	100556	CS2810-G	100281	LS2810-G		100273	CF2810-G
● dust grey (-HG)			100283	LS2810-HG		100278	CF2810-HG
● stone grey (-RG)	100561	CS2810-RG	100285	LS2810-RG		100279	CF2810-RG
● black (-B)	100558	CS2810-B	112857	LS2810-B		100275	CF2810-B

 **ESD-version** (Note: designations for ESD pipes were changed)

● black (-B)	100238	ES2810-B		112513	FS2809-E-B	100230	EF2810-B
--------------	--------	----------	--	--------	------------	--------	----------

Explanatory notes

- The colours shown may vary from the actual ones due to printing limitations.
- Ø 28 mm: the exact diameter is 27.6 +0.15/-0.10 mm.

Ordering information

- **Warehouse status**

Priority goods available on request

“Priority goods” can be supplied immediately; in the case of “on request” product delivery times of around 6 – 8 weeks should be reckoned with.

- **Standard pipe length:** 4 m shorter pipe lengths on application.



Versatile, flexible and easy to grip.
Steel-Joints by G.S ACE

STEEL JOINT

Patented grip profile

The Steel-Joints of the pipe racking system by G.S ACE have a special, patented design with a pyramid-shaped grip structure on the contact surfaces (see illustration). As a result they hold all pipes firmly in position; in the case of coated pipes grip is even increased by a further 30%.

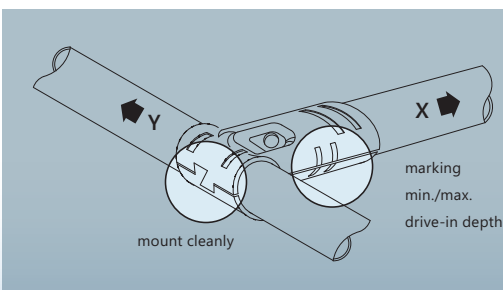
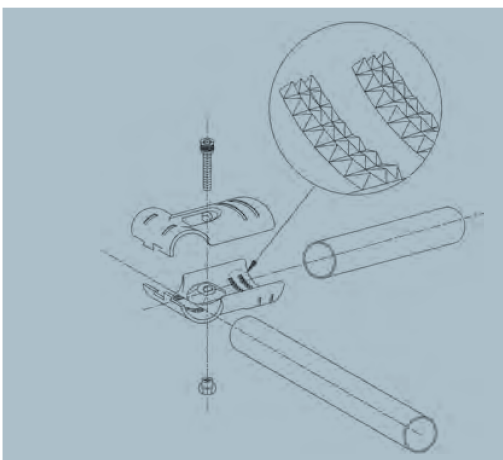
An additional innovation is the markings on the outside of the joints to indicate maximum and minimum depth of insert, thus facilitating work with the joints.

Surfaces

- BK: black coating, chrome-free
- Ni: Ni: nickel plating, chrome-free, for ESD use
- WZ: white zinc plating containing trivalent chromium, for ESD use

Ordering information




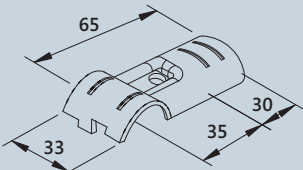
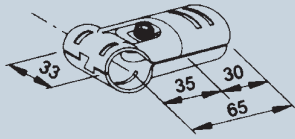



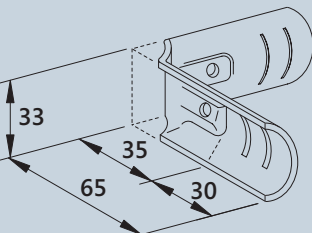
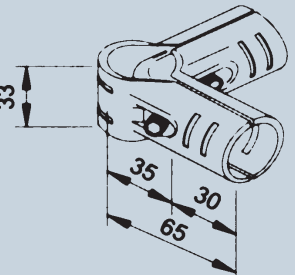



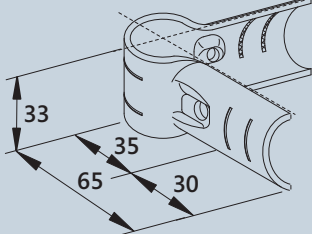
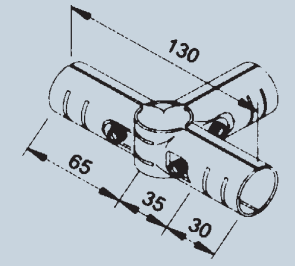



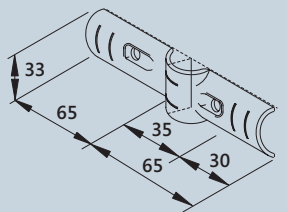
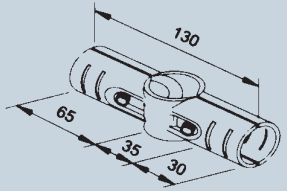
- Standard packing units supplied with the number of pieces given in each instance. All joints can also be ordered in other piece numbers.
- Kits of joints are supplied as individual parts (e.g. GA-1S: 2x base element G-1S and 1x screw set M0625/TN06)

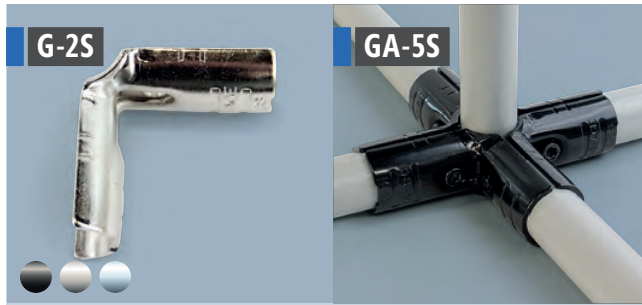


Basic joints

Please note: The **G-1S** connector is a **half-shell** without accessories whereas the **GA-1S** joint comprises the complete kit that is required for assembling (2 half-shells and nut).

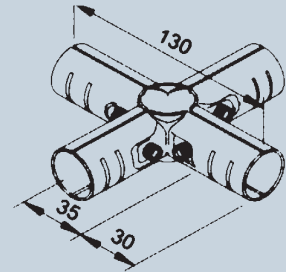
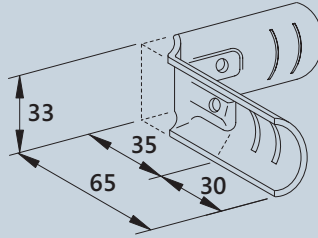
This example is valid for all joints.

<p>G-1S</p>  	<p>GA-1S</p> 		
<p>weight: 68 g quantity/box: 240</p>	<p>Joint</p> <ul style="list-style-type: none"> • 2x G-1S • 1x Kit M0625/TN06 		
<p>G-2S</p>  	<p>GA-2S</p> 		
<p>weight: 95 g quantity/box: 150</p>	<p>Corner joint</p> <ul style="list-style-type: none"> • 1x G-2S • 1x G-3S • 2x Kit M0625/TN06 		
<p>G-3S</p>  	<p>GA-3S</p> 		
<p>weight: 120 g quantity/box: 70</p>	<p>Three-sided joint</p> <ul style="list-style-type: none"> • 2x G-2S • 1x G-4S • 3x Kit M0625/TN06 		
<p>G-4S</p>  	<p>GA-4S</p> 		
<p>weight: 107 g quantity/box: 180</p>	<p>Double joint</p> <ul style="list-style-type: none"> • 2x G-4S • 2x Kit M0625/TN06 		



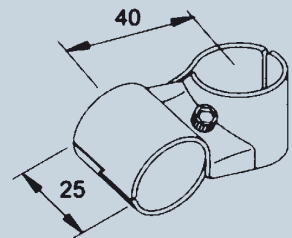
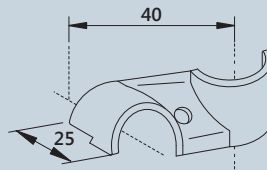
weight: 95 g
quantity/box: 150

Cross joint
• 4x G-2S
• 4x Kit M0625/TN06



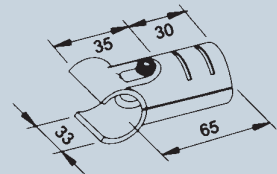
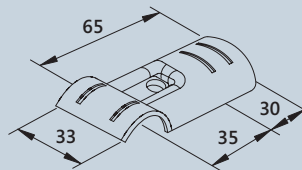
weight: 48 g
quantity/box: 170

Brace
• 2x G-6S
• 1x Kit M0625/TN06



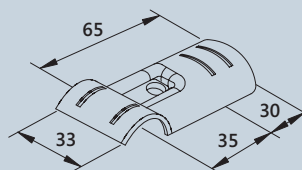
weight: 61 g
quantity/box: 240

Joint, 2/3 pipe clasp
• 2x G-1BS
• 1x Kit M0625/TN06

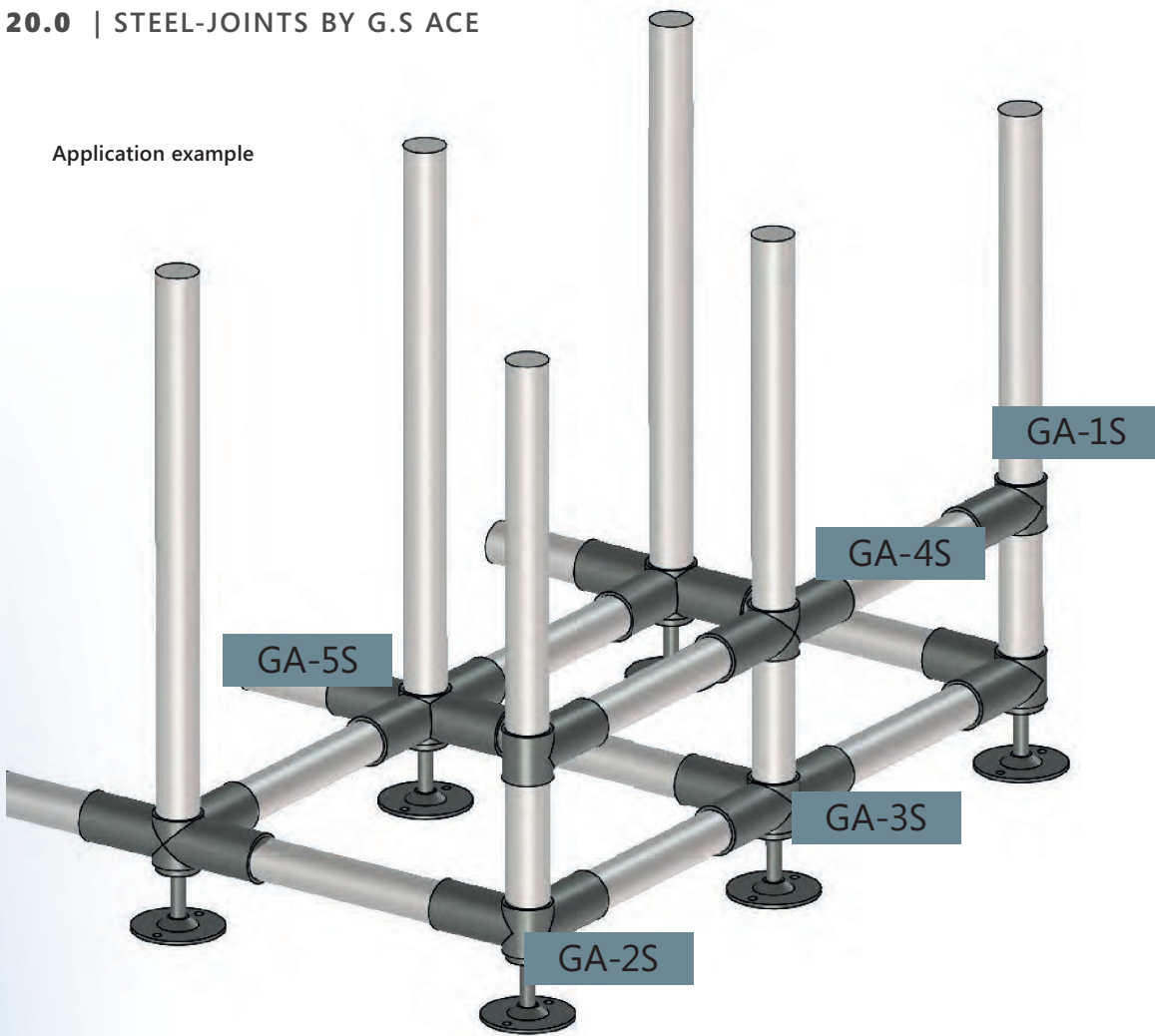


Joint, 2/3 surrounding with clamping lever

- 2x G-1BS
- 1x TN06, 1x SB4816
- 1x KH0630, 1x D-143H-10



Application example



G-66

weight: 29 g
quantity/box: 160
*Aluminium die casting

GA-66

Brace
(Aluminium die casting)

- 2x G-66
- 1x Kit M0625/TN06

Please note: The tightening torque is 8 Nm!

G-6BS

G-6BS-33

weight: 42 g
quantity/box: 240

GA-6BS




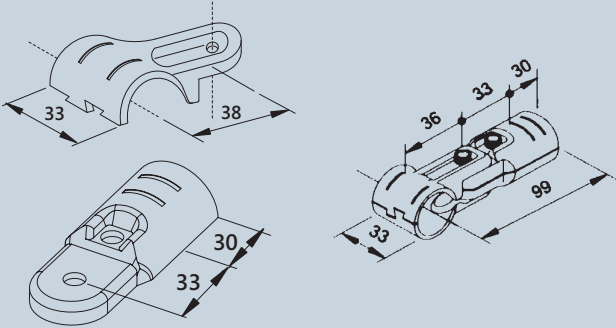



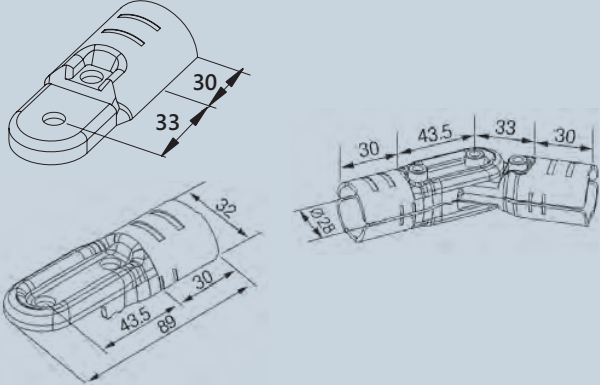



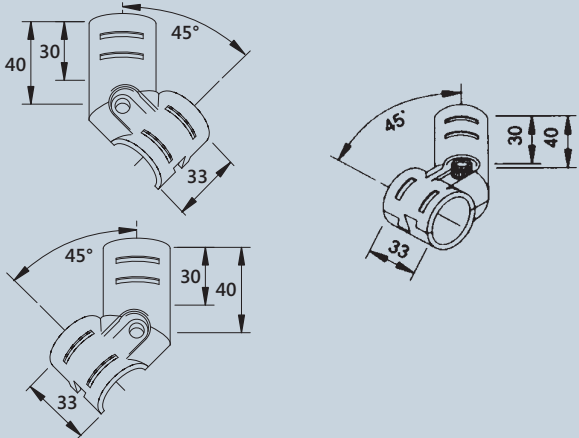


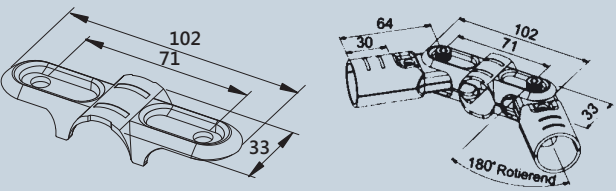
GA-6BS-33

Brace, 2/3 pipe clasp

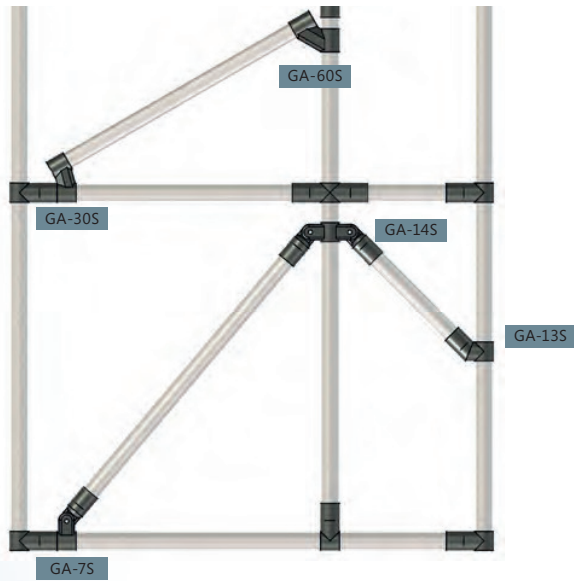
- 2x G-6BS
- 1x Kit M0625/TN06

* Type 33 variants: greater suspension for space-saving positioning on metal joints. For type 33 variant, other weights and packaging units apply.

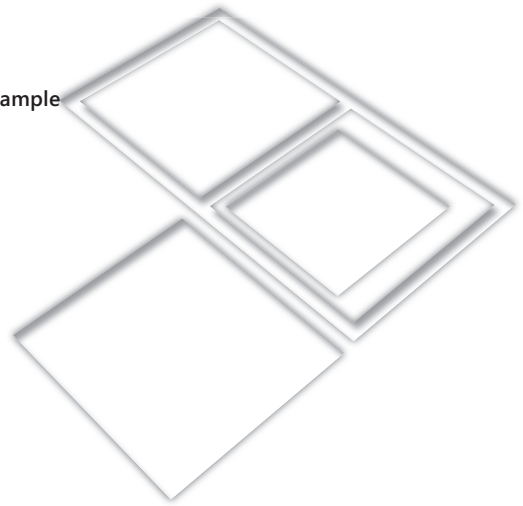
Cross joint

<p>G-7AS</p>  <p>G-7BS</p>  <p>weight: 44 g quantity/box: 300</p> <p>weight: 52 g quantity/box: 300</p>	<p>GA-7S</p>  <p>Pivoting joint, 180° swivel</p> <ul style="list-style-type: none"> • 2x G-7AS • 2x G-7BS • 2x Kit M0625/TN06 	
<p>G-7BS</p>  <p>G-7CS</p>  <p>weight: 44 g quantity/box: 300</p> <p>weight: 62 g quantity/box: 210</p>	<p>GA-27S</p>  <p>Pivoting joint, freely moveable</p> <ul style="list-style-type: none"> • 2x G-7CS • 2x G-7BS • 3x Kit M0625/TN06 	
<p>G-13AS</p>  <p>G-13BS</p>  <p>weight: 62 g quantity/box: 160</p> <p>weight: 62 g quantity/box: 160</p>	<p>GA-13S</p>  <p>Joint angled at 45°, fixed</p> <ul style="list-style-type: none"> • 1x G-13AS • 1x G-13BS • 1x Kit M0625/TN06 	
<p>G-14S</p>  <p>weight: 52 g quantity/box: 270</p>	<p>GA-14S</p>  <p>Double pivoting joint, 180° swivel</p> <ul style="list-style-type: none"> • 2x G-14S • 4x G-7BS • 4x Kit M0625/TN06 	

22.0 | STEEL-JOINTS BY G.S ACE



Application example



G-30S

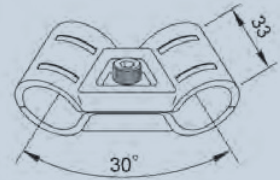
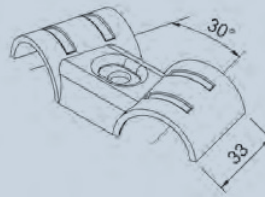


weight: 60 g
quantity/box: 240

GA-30S



Cross joint 30°
• 2x G-30S
• 1x Kit M0625/TN06



G-45S

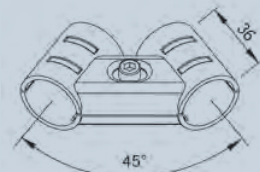
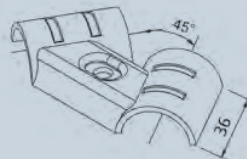


weight: 73 g
quantity/box: 200

GA-45S



Cross joint 45°
• 2x G-45S
• 1x Kit M0625/TN06



G-60S

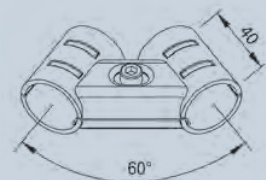
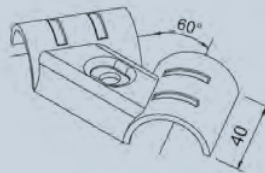


weight: 76 g
quantity/box: 200

GA-60S



Cross joint 60°
• 2x G-60S
• 1x Kit M0625/TN06



Angle joint

G-90S

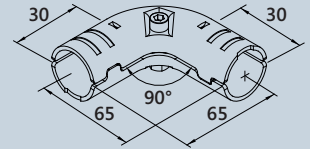
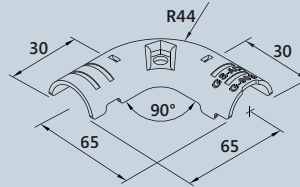


weight: 97 g
quantity/box: 100

GA-90S



Angle joint 90°
• 2x G-90S
• 1x Kit M0625/TN06



G-110S

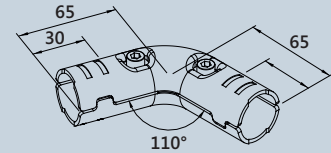


weight: 103 g
quantity/box: 100

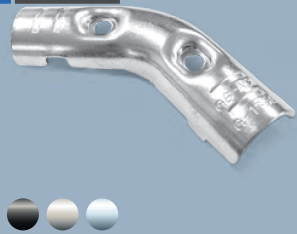
GA-110S



Angle joint 110°
• 2x G-110S
• 2x Kit M0625/TN06



G-135S

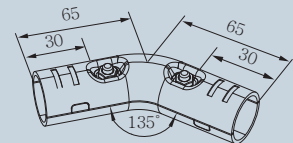
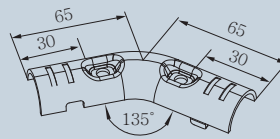


weight: 102 g
quantity/box: 100

GA-135S



Angle joint 135°
• 2x G-135S
• 2x Kit M0625/TN06



G-160S

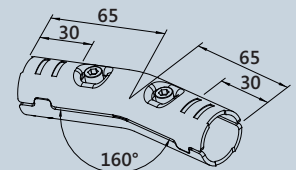
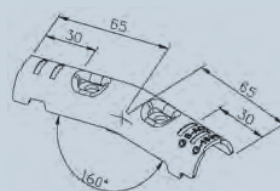


weight: 105 g
quantity/box: 100

GA-160S

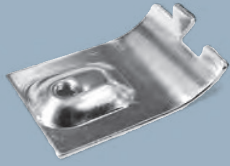


Angle joint 160°
• 2x G-160S
• 2x Kit M0625/TN06



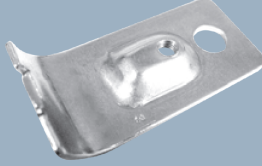
Panel mountings

G-15AC

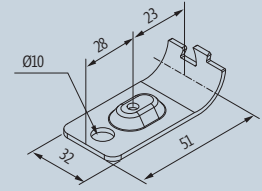
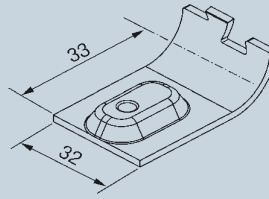


weight: 32 g
quantity/box: 480

G-15AH



weight: 46 g
quantity/box: 300



G-15AS



weight: 40 g
quantity/box: 480

G-15BS

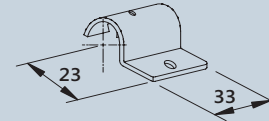
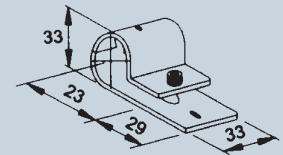
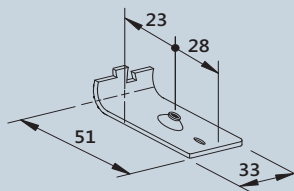


weight: 37 g
quantity/box: 480

GA-15S



Joint for mounting panels and other uses (e.g. mounting monitor)
• 1x G-15AS • 1x G-15BS
• 1x M0610



G-15BL



weight: 55 g
quantity/box: 300

G-15DL

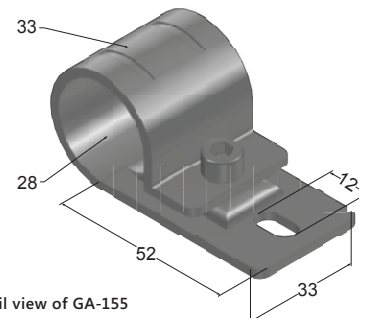
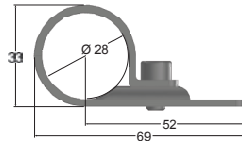


weight: 45 g
quantity/box: 300

GA-15BDL



Joint set consisting of:
• 1x G-15BL
• 1x G-15DL



detail view of GA-15S

G-15D



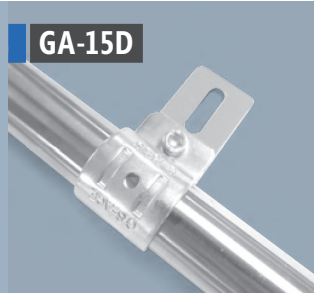
weight: 48 g
quantity/box: 300

G-15BS

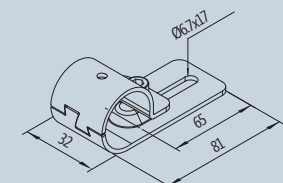
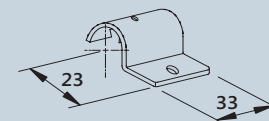
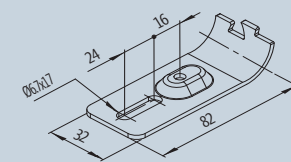




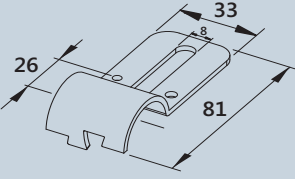
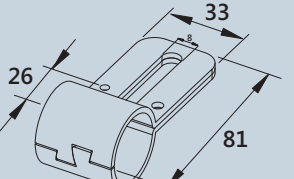
weight: 37 g
quantity/box: 480

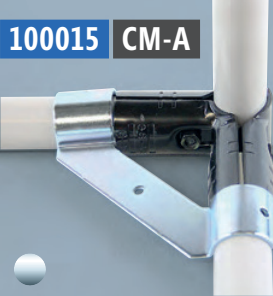

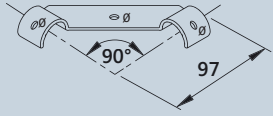
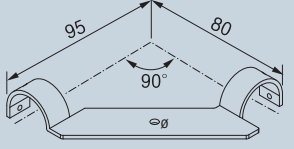
GA-15D





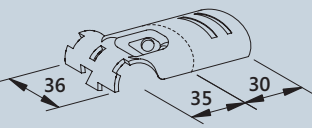
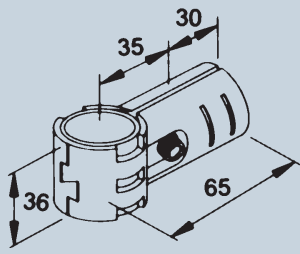
Joint for mounting panels and other uses (e.g. mounting monitor)
• 1x G-15D • 1x G-15BS
• 1x M0610



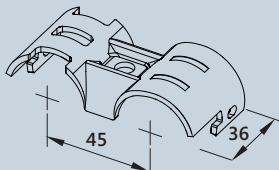
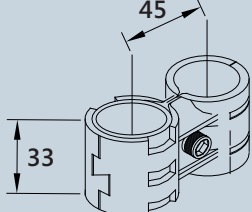


<p>G-16S</p>  <p>● ● ●</p> <p>weight: 49 g quantity/box: 300</p>	<p>GA-16S</p>  <p>Joint for mounting panels and other uses</p> <ul style="list-style-type: none"> • 2x G-16S • Fixing set depends on use 	 
--	--	--

<p>100015 CM-A</p>  <p>●</p> <p>Panel holder, corner</p> <p>weight: 100 g quantity/box: 60</p>	<p>116476 CM-B</p>  <p>●</p> <p>Panel holder, corner</p> <p>weight: 71 g quantity/box: 60</p>	  <p>∅ 5mm</p>
--	---	---

Swivel and sliding joints

<p>G-12S</p>  <p>● ● ●</p> <p>weight: 60 g quantity/box: 210</p>	<p>GA-12S</p>  <p>Double swivel joint, to permit rotation and sliding of stay pipe</p> <ul style="list-style-type: none"> • 2x G-12S • 1x GAP-12 • 1x Kit M0625/TN06 	 
--	--	--

<p>G-17S</p>  <p>● ● ●</p> <p>weight: 57 g quantity/box: 200</p>	<p>GA-17S</p>  <p>Swivel cross joint; can be rotated and slid on one side</p> <ul style="list-style-type: none"> • 2x G-17S • 1x GAP-12 • 1x Kit M0625/TN06* 	 
--	--	--

* Note: GA-17S-Ni+WZ is supplied with GAP-12-E (conductive).

Further deflection joints on page 43.

G-18S



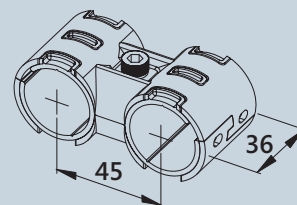
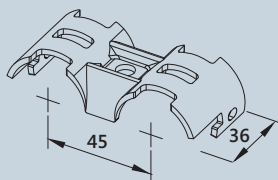
weight: 57 g
quantity/box: 180

GA-18S



Swivel cross joint; can be rotated and slid on two sides

- 2x G-18S • 2x GAP-12
- 1x Kit M0625/TN06



G-22S



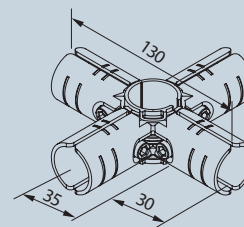
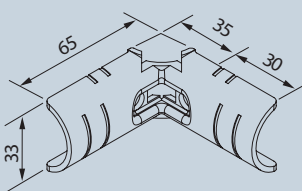
weight: 85 g
quantity/box/: 150

GA-55S



Double swivel joint, to permit rotation and sliding of stay pipe

- 4x G-22S
- 4x Kit M0625/TN06
- 1x GAP-12



G-24S



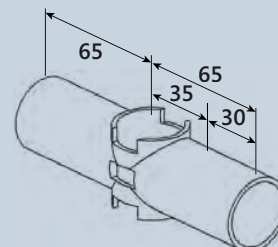
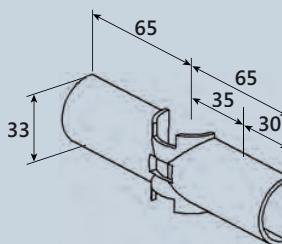
weight: 95 g
quantity/box: 150

GA-24S



Double swivel joint, to permit rotation and sliding of stay pipe

- 2x G-24S • 1x GAP-12
- 2x Kit M0625/TN06



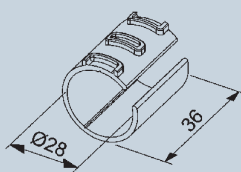
GAP-12



GAP-12-E



conductive version



Sleeve

weight: 7 g
quantity/box: 600

BUSH-12



Slide bush
Ø 28, metal
weight: 35 g
quantity/box: 180

GAP-44

GAP-56*



Slide bush
Ø 28, plastic
weight: 12 g

○ white

*folding



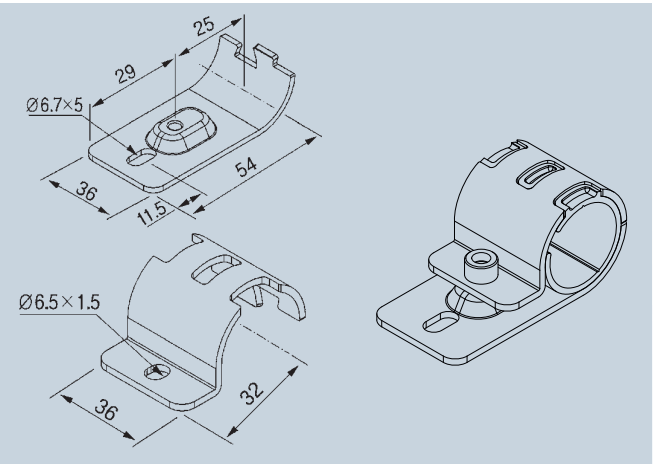
G-25AS

GA-25S

G-25BS

weight: 50 g
 quantity/box: 360
 weight: 43 g
 quantity/box: 360

Pivoting joint
 • 1x G-25AS • 1x G-25BS
 • 1x GAP-12 • 1x M0610

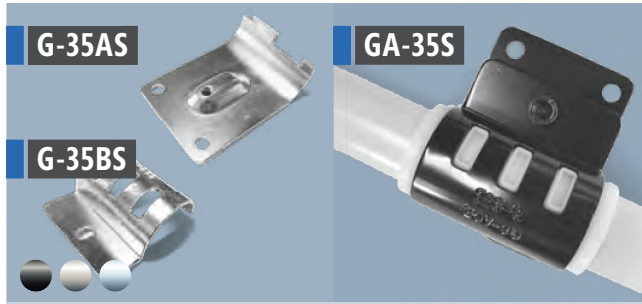
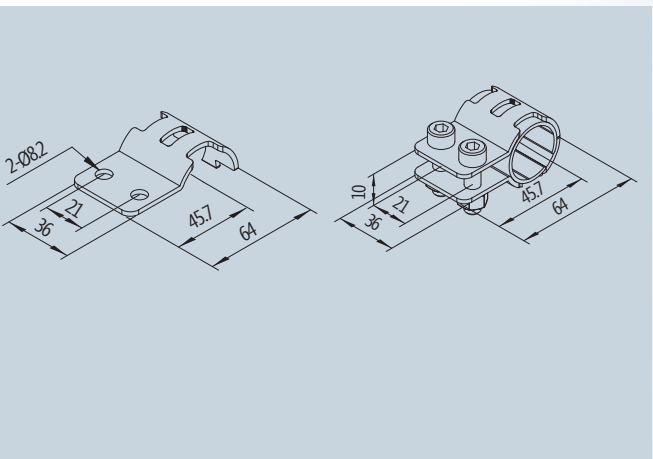


G-25C

GA-25C

weight: 42 g
 quantity/box: 300

Pivoting joint
 • 2x G-25C • 2x M0825
 • 1x GAP-12 • 2x N08

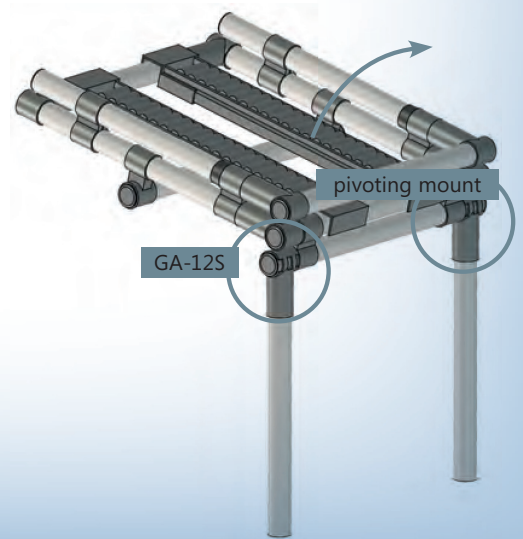
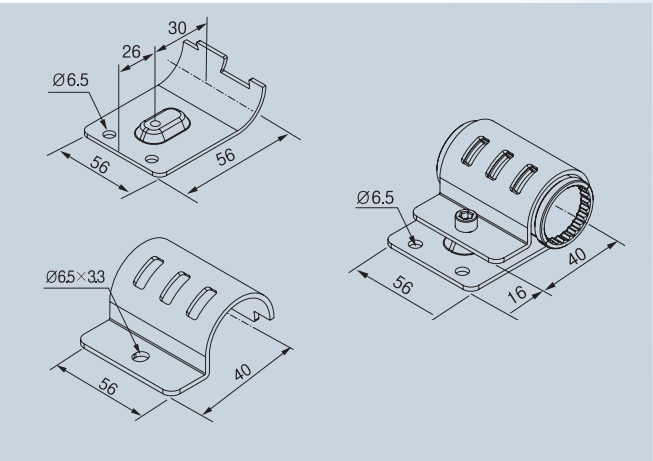


G-35AS

GA-35S

G-35BS

Pivoting joint
 • 1x G-35AS • 1x G-35BS
 • 1x GAP-56 • 1x M0610



Application example
 pipe racking system

Special dimensions

G-103



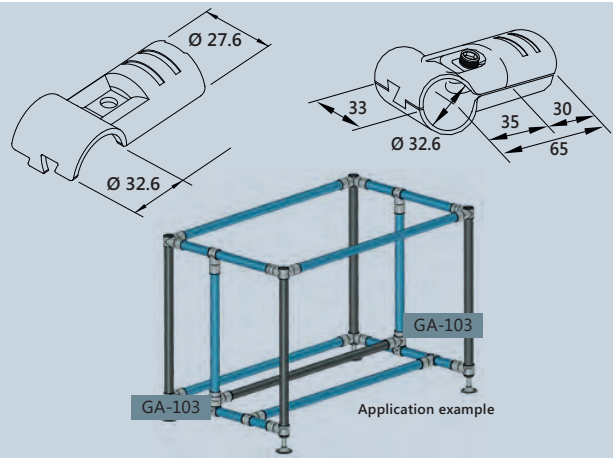
weight: 71 g
quantity/box: 240

GA-103



Joint fixture for mounting on standard joints

- 2x G-103
- 1x Kit M0625/TN06



G-34S



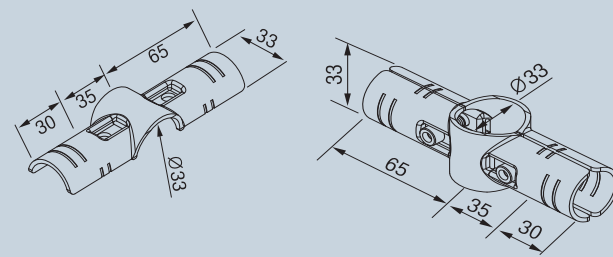
weight: 105 g
quantity/box: 180

GA-34S



Joint fixture for mounting on standard connectors

- 2x G-34S
- 2x Kit M0625/TN06



Other joints

G-8S



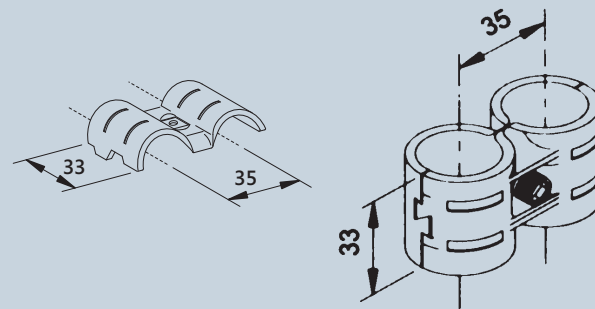
weight: 48 g
quantity/box: 300

GA-8S



Cross joint for parallel pipes

- 2x G-8S
- 1x Kit M0625/TN06



G-28



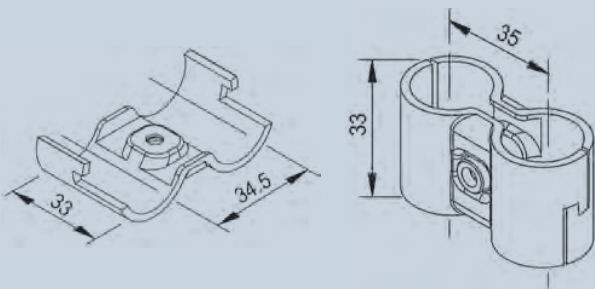
weight: 51 g
quantity/box: 240

GA-28




Cross joint for parallel pipes

- 2x G-28
- 1x Kit M0625/TN06




G-38



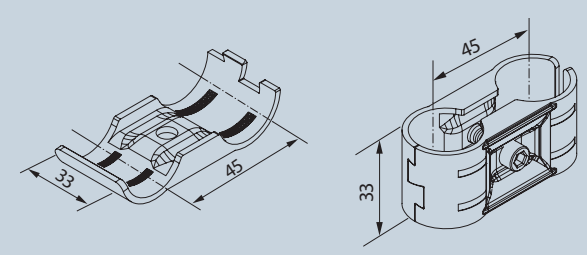
weight: 57 g
quantity/box: 300

GA-38




Cross joint for parallel pipes

- 2x G-38S
- 1x Kit M0625/TN06




G-9S



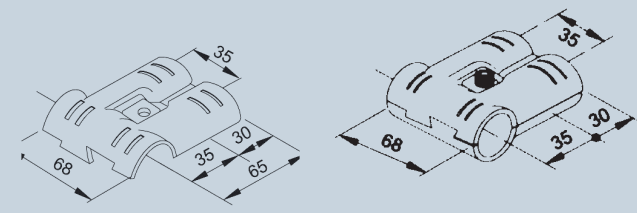
weight: 120 g
quantity/box: 100

GA-9S




Joint with double attachment for parallel pipes

- 2x G-9S
- 1x Kit M0625/TN06



G-21A



weight: 54 g
quantity/box: 210


GA-21A



Quick adjustment

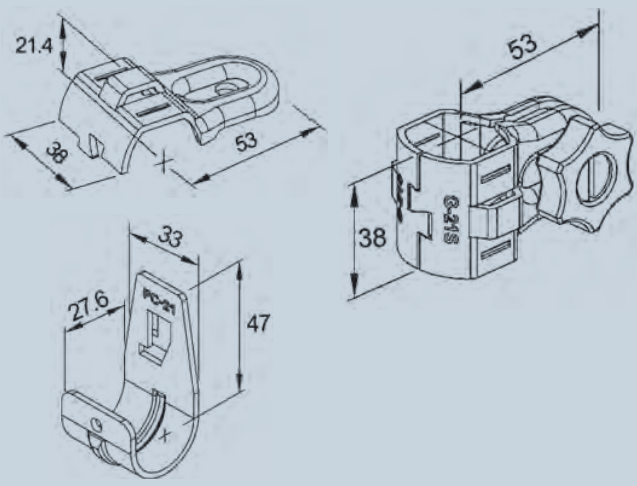
- 2x G-21A
- 1x Kit HM0620/TN06

PC-21



Pipe hanger PC-21
(for GA-21A, page 37)

weight: 57 g
quantity/box: 150



G-20S



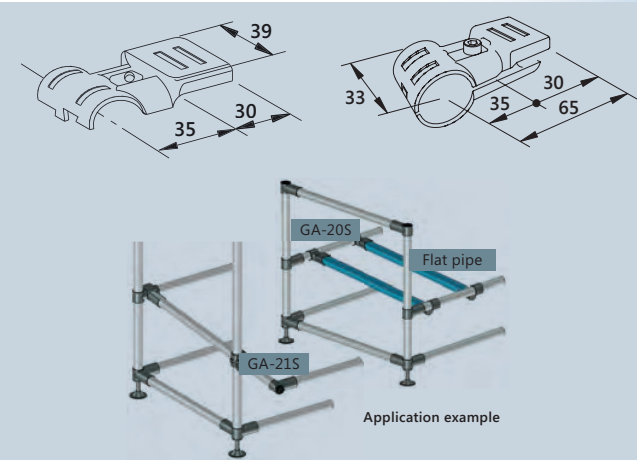
weight: 64 g
quantity/box: 200

GA-20S

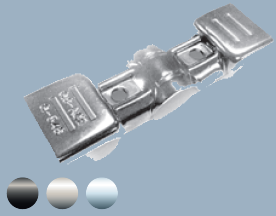


Joint for flat pipes

- 1x G-20S
- 1x G-15S
- 1x Kit M0625/TN06



G-54S

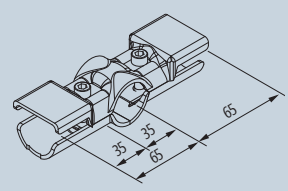
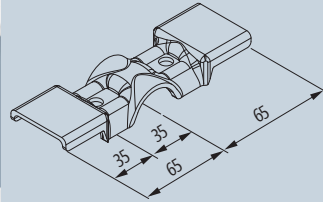


weight: 99 g
quantity/box: 120

GA-54S



Joint for flat pipes
• 1x G-54S • 1x G-4S
• 2x Kit M0625/TN06



G-65S

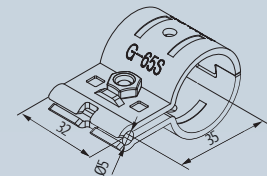
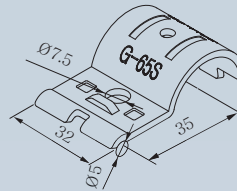


mounting bracket for
fence 5 mm
weight: 38 g
quantity/box: 480

GA-65S



• 2x G-65S
• 1x M0610/TN06



G-65S-10

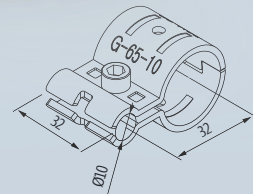
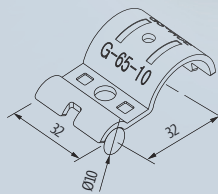


mounting bracket for
fence 10 mm
weight: 38 g
quantity/box: 480

GA-65S-10



• 2x G-65S-10
• 1x M0610/TN06



G-44

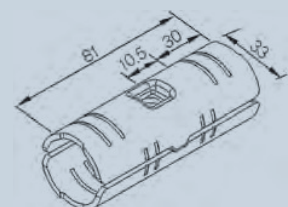
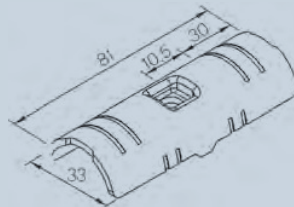


weight: 70 g
quantity/box: 270

GA-44



Linking piece
• 2x G-44
• 1x Kit M0625/TN06



G-104

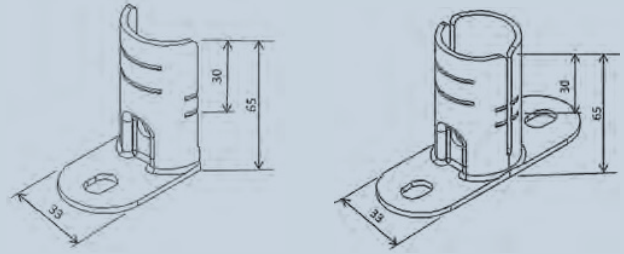


weight: 70 g
quantity/box: 240

GA-104



Connector to flat surfaces
 • 2x G-104
 • 1x Kit M0625/TN06



116741 BS-15

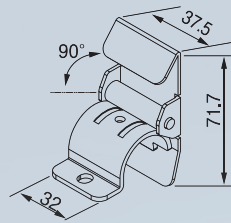


Stopper clamp
 weight: 105 g
 quantity/box: 60

118369 GA-BS-15



• 1x BS-15
 • 1x M0610
 • 1x G-15AB
 • 1x G-15AC



116739 DL-15

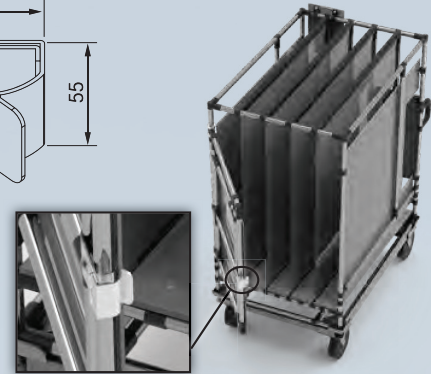
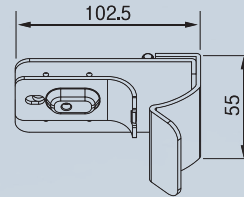


Door bolt
 weight: 307 g

118368 GA-DL-15



• 1x DL-15
 • 1x M0610
 • 1x G-15BS



108799 MCY-A301



NEW PRODUCT

One Touch Stopper
 Single-acting stop bar (spring reset) with lateral swivel movement - manual release

108800 MCY-B301

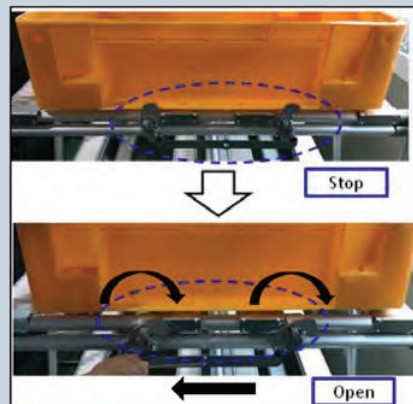


NEW PRODUCT

One Touch Stopper Link
 Crosshead for 2x MCY-A301 (single-acting stopper bar)
 Bar distance 337 mm

108805 MCY-AB301 Set

2xMCY-A301, 1x MCY-B301, 2x BL10W, 2x TR0616W LP



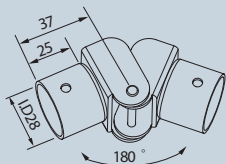
Application example

117220 FB-28



WZ

Folding clamp
weight: 155 g
quantity/box: 48

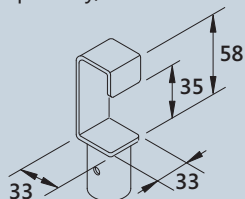


100020 HK28WB



WZ

Pipe holder for mounting
weight: 124 g
quantity/box: 70

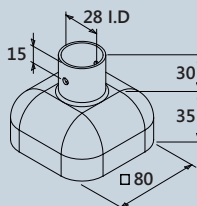


100081 HC28A



WZ

Stack shoe
weight: 20 g
quantity/box: 150



GS-2070D



WZ

End piece mount for round, slide and flat pipes
weight: 200 g
quantity/box: 90

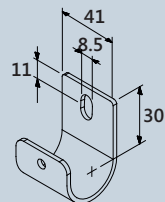
GS-2070D	for pipes 28 x 0.7 mm
GS-2070D 1,0	for pipes 28 x 1.0 mm
GS-2070D ES0,7	for SUS/ECO- pipes 28 x 0.7 mm
GS-2070D ES1.2	for SUS/ECO- pipes 28 x 1.2 mm

109991 BL28YA-U



WZ

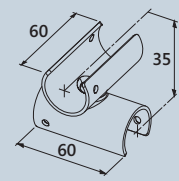
Suspension hook
weight: 63 g
quantity/box: 150



PS-A



Swivelling cross element
weight: 128 g
quantity/box: 96

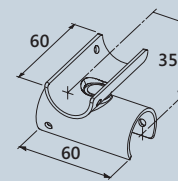


100048	BK
100056	NI
115285	WZ

PS-B

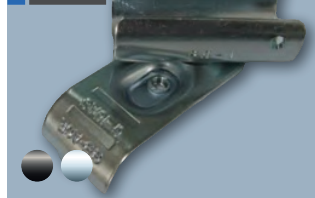


Swivelling cross element
weight: 104 g
quantity/box: 96

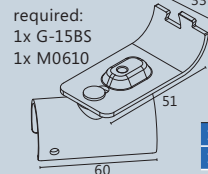


100049	BK
100057	NI
115284	WZ

PS-C



Swivelling cross element closed
weight: 128 g
quantity/box: 70



required:
1x G-15BS
1x M0610

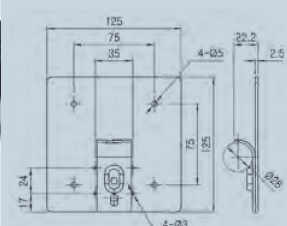
118723	BK
118724	WZ

126203 MB-15



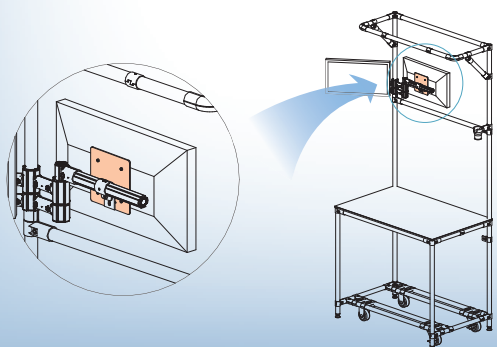
WZ

Monitor bracket



* required:
1x G-15BS
4x M4x10
1x M0610

weight: 350 g
quantity/box: 20

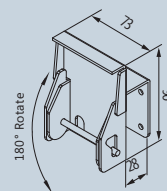


126204 QS-28



WZ

Quick stopper
weight: 370 g
quantity/box: 18

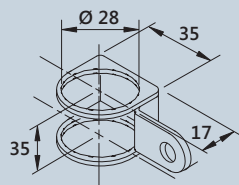


100021 HG-D



WZ

Metal hinge
weight: 52 g
quantity/box: 100

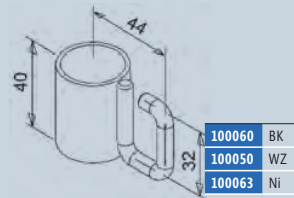


GS-1014A



● ●

Hook
weight: 130 g
quantity/box: 70

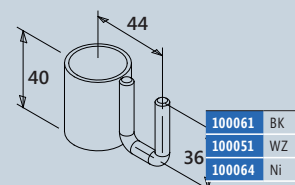


GS-1014B



● ●

Hook
weight: 130 g
quantity/box: 70

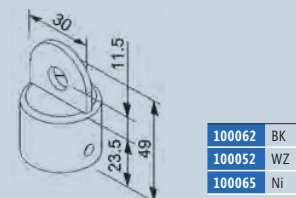


GS-1014C



● ●

End piece for mounting
weight: 50 g
quantity/box: 200

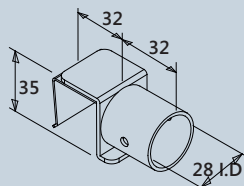


100080 GS-1250A



WZ

Spring clip end piece
weight: 100 g
quantity/box: 90

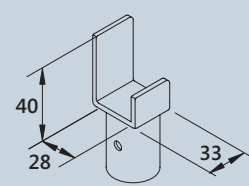


100019 HK28WA



WZ

Pipe support
weight: 94 g
quantity/box: 90

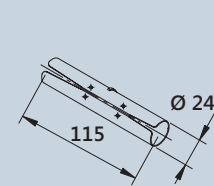


100013 LK28A



WZ

Joint for coated pipe
weight: 46 g
quantity/box: 120



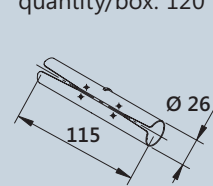
Note: LK28A is suitable for pipes with max. 1 mm wall thickness

100014 LK28S



WZ

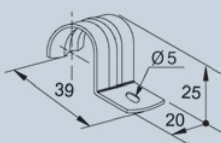
Pipe joint for SUS and Eco pipe
weight: 46 g
quantity/box: 120



100003 PC-BN



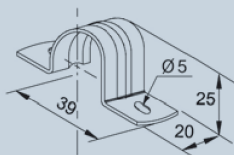
Pipe clamp, single fixing



100004 PC-CN



Pipe clamp, double fixing

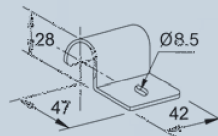


100002 PC-A



WZ

Pipe clamp, single fixing

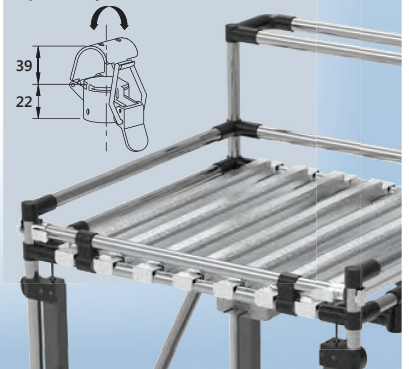
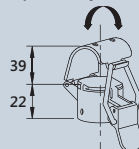


100005 PC-D



WZ

Lock (metal)
weight: 157 g
quantity/box: 50

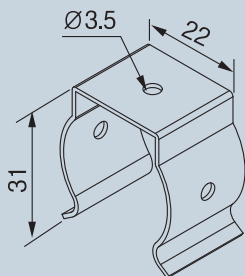


116752 PC-E



WZ

Pipe clamp,
double fixing possible

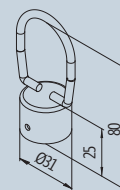


125270 ECH-28A



WZ

End Cap Hanger



weight: 56 g
quantity/box: 70

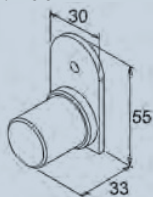
GS-2070C



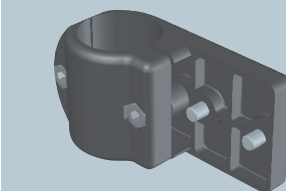
WZ

End piece mount for round,
slide and flat pipes

weight: 120 g
quantity/box: 100



117967 BFK-28



Mounting clamp D28

Mounting clamp for
attaching a hydraulic
cylinder to a circular
pipe

weight: 120 g

100053 GS-2070C 0,7	for pipes 28 x 0.7 mm
100067 GS-2070C 1,0	for pipes 28 x 1.0 mm
100068 GS-2070C 2,0	for pipes 28 x 2.0 mm
100070 GS-2070C ES0,7	for SUS/ECO- pipes 28 x 0.7 mm
100069 GS-2070C ES1,2	for SUS/ECO- pipes 28 x 1.2 mm



STRAP HOLDERS

Rubber band anthracite



WZ

Gummiband anthrazit

115581	Rubber band
115582	Eyelet for rubber band
115583	Clamp for rubber band
112553	FSB-HK; hook for rubber band

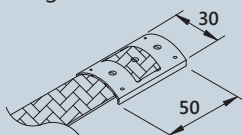
116408 R-A



WZ

Strap holder, round
(inclusive of straps)

weight: 20 g
quantity/box: 300
length: 390 mm



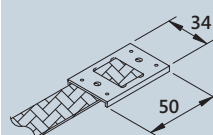
115973 F-A



WZ

Strap holder, flat (2 pcs.)
incl. 400 mm strap

weight: 20 g
quantity/box: 500



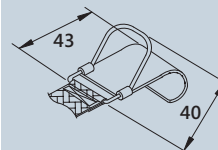
100016 HM28YA



WZ

Strap clip hanger

weight: 49 g
quantity/box: 100



Rubber belt strap

112552 FSB-GB	Rubber tension strap, 35 mm wide, sold by the metre
112553 FSB-HK	Hook for rubber tension strap
112554 FSB-OE	Eyelet for rubber tension strap

*Please specify the required strap size when ordering. Possible sizes are: 400 mm, 600 mm, 800 mm. Custom sizes on request.

Product overview steel joints

Please note that only BeeWaTec's original screws and nuts may be used for assembly.

Article No.	Name BK	Quantity	Article No.	Name Ni	Quantity	Article No.	Name WZ	Quantity
100349	GA-1S BK		100350	GA-1S Ni		114321	GA-1S WZ	
100286	G-1S BK	x2	100287	G-1S Ni	x2	114193	G-1S WZ	x2
100257	TN06 BK	x1	100256	TN06 W	x1	100256	TN06 W	x1
100255	M0625 BK	x1	100258	M0625 Ni	x1	114319	M0625 WZ	x1
100351	GA-1BS BK		100352	GA-1BS Ni		114323	GA-1BS WZ	
100288	G-1BS BK	x2	100289	G-1BS Ni	x2	114194	G-1BS WZ	x2
100257	TN06 BK	x1	100256	TN06 W	x1	100256	TN06 W	x1
100255	M0625 BK	x1	100258	M0625 Ni	x1	114319	M0625 WZ	x1
119014	GA-1BS KH BK		119015	GA-1BS KH Ni		119016	GA-1BS KH WZ	
100288	G-1BS BK	x2	100289	G-1BS Ni	x2	114194	G-1BS WZ	x2
100257	TN06 BK	x1	100256	TN06 W	x1	100256	TN06 W	x1
100255	M0625 BK	x1	100258	M0625 Ni	x1	114319	M0625 WZ	x1
108492	D-143H-10	x1	108492	D-143H-10	x1	108492	D-143H-10	x1
108407	KH0630	x1	108407	KH0630	x1	108407	KH0630	x1
100353	GA-2S BK		100354	GA-2S Ni		114324	GA-2S WZ	
100290	G-2S BK	x1	100291	G-2S Ni	x1	114195	G-2S WZ	x1
100292	G-3S BK	x1	100293	G-3S Ni	x1	114196	G-3S WZ	x1
100257	TN06 BK	x2	100256	TN06 W	x2	100256	TN06 W	x2
100255	M0625 BK	x2	100258	M0625 Ni	x2	114319	M0625 WZ	x2
100355	GA-3S BK		100356	GA-3S Ni		114325	GA-3S WZ	
100290	G-2S BK	x2	100291	G-2S Ni	x2	114195	G-2S WZ	x2
100294	G-4S BK	x1	100295	G-4S Ni	x1	114197	G-4S WZ	x1
100257	TN06 BK	x3	100256	TN06 W	x3	100256	TN06 W	x3
100255	M0625 BK	x3	100258	M0625 Ni	x3	114319	M0625 WZ	x3
100357	GA-4S BK		100358	GA-4S Ni		114326	GA-4S WZ	
100294	G-4S BK	x2	100295	G-4S Ni	x2	114197	G-4S WZ	x2
100257	TN06 BK	x2	100256	TN06 W	x2	100256	TN06 W	x2
100255	M0625 BK	x2	100258	M0625 Ni	x2	114319	M0625 WZ	x2
100359	GA-5S BK		100360	GA-5S Ni		114327	GA-5S WZ	
100290	G-2S BK	x4	100291	G-2S Ni	x4	114195	G-2S WZ	x4
100257	TN06 BK	x4	100256	TN06 W	x4	100256	TN06 W	x4
100255	M0625 BK	x4	100258	M0625 Ni	x4	114319	M0625 WZ	x4
100361	GA-6S BK		100362	GA-6S Ni		114328	GA-6S WZ	
100296	G-6S BK	x2	100297	G-6S Ni	x2	114198	G-6S WZ	x2
100257	TN06 BK	x1	100256	TN06 W	x1	100256	TN06 W	x1
100255	M0625 BK	x1	100258	M0625 Ni	x1	114319	M0625 WZ	x1
100363	GA-6BS BK		100364	GA-6BS Ni		114329	GA-6BS WZ	
100298	G-6BS BK	x2	100299	G-6BS Ni	x2	114199	G-6BS WZ	x2
100257	TN06 BK	x1	100256	TN06 W	x1	100256	TN06 W	x1
100255	M0625 BK	x1	100258	M0625 Ni	x1	114319	M0625 WZ	x1
113845	GA-66 BK		113849	GA-66 Ni		114357		
113575	G-66S BK	x2	113574	G-66S Ni	x2	114228		
100257	TN06 BK	x1	100256	TN06 W	x1	100256		
100255	M0625 BK	x1	100258	M0625 Ni	x1	114319		
100552	GA-21A BK		100549	GA-21A Ni		114343	GA-21A WZ	
100550	G-21A BK	x2	100546	G-21A Ni	x2	114223	G-21A WZ	x2
100257	TN06 BK	x1	100256	TN06 W	x1	100256	TN06 W	x1
100548	HM0620	x1	100548	HM0620	x1	100548	HM0620	x1

36.0 | STEEL-JOINTS BY G.S ACE

Article No.	Name BK	Quantity	Article No.	Name Ni	Quantity	Article No.	Name WZ	Quantity
117498	GA-38S BK		117500	GA-38S Ni		117499	GA-38S WZ	
117295	G-38S BK	x2	117298	G-38S Ni	x2	117297	G-38S WZ	x2
100257	TN06 BK	x1	100256	TN06 W	x1	100256	TN06 W	x1
100255	M0625 BK	x1	100258	M0625 Ni	x1	114319	M0625 WZ	x1
100367	GA-8S BK		100368	GA-8S Ni		114331	GA-8S WZ	
100304	G-8S BK	x2	100305	G-8S Ni	x2	114202	G-8S WZ	x2
100257	TN06 BK	x1	100256	TN06 W	x1	100256	TN06 W	x1
100255	M0625 BK	x1	100258	M0625 Ni	x1	114319	M0625 WZ	x1
113030	GA-28 BK		113031	GA-28 Ni		114356	GA-28 WZ	
112772	G-28 BK	x2	112773	G-28 Ni	x2	114227	G-28 WZ	x2
100257	TN06 BK	x1	100256	TN06 W	x1	100256	TN06 W	x1
100255	M0625 BK	x1	100258	M0625 Ni	x1	114319	M0625 WZ	x1
100369	GA-9S BK		100370	GA-9S Ni		114332	GA-9S WZ	
100306	G-9S BK	x2	100307	G-9S Ni	x2	114203	G-9S WZ	x2
100257	TN06 BK	x1	100256	TN06 W	x1	100256	TN06 W	x1
100255	M0625 BK	x1	100258	M0625 Ni	x1	114319	M0625 WZ	x1
100365	GA-7S BK		100366	GA-7S Ni		114330	GA-7S WZ	
100300	G-7AS BK	x2	100301	G-7AS Ni	x2	114200	G-7AS WZ	x2
100302	G-7BS BK	x2	100303	G-7BS Ni	x2	114201	G-7BS WZ	x2
100257	TN06 BK	x2	100256	TN06 W	x2	100256	TN06 W	x2
100255	M0625 BK	x2	100258	M0625 Ni	x2	114319	M0625 WZ	x2
100372	GA-13S BK		100373	GA-13S Ni		114334	GA-13S WZ	
100310	G-13AS BK	x1	100311	G-13AS Ni	x1	114205	G-13AS WZ	x1
100312	G-13BS BK	x1	100313	G-13BS Ni	x1	114206	G-13BS WZ	x1
100257	TN06 BK	x1	100256	TN06 W	x1	100256	TN06 W	x1
100255	M0625 BK	x1	100258	M0625 Ni	x1	114319	M0625 WZ	x1
100374	GA-14S BK		100375	GA-14S Ni		114335	GA-14S WZ	
100314	G-14S BK	x2	100315	G-14S Ni	x2	114207	G-14S WZ	x2
100302	G-7BS BK	x4	100303	G-7BS Ni	x4	114201	G-7BS WZ	x4
100257	TN06 BK	x4	100256	TN06 W	x4	100256	TN06 W	x4
100255	M0625 BK	x4	100258	M0625 Ni	x4	114319	M0625 WZ	x4
113022	GA-27S BK		113023	GA-27S Ni		114355	GA-27S WZ	
112768	G-7CS BK	x2	112769	G-7CS Ni	x2	114226	G-7CS WZ	x2
100302	G-7BS BK	x2	100303	G-7BS Ni	x2	114201	G-7BS WZ	x2
100257	TN06 BK	x3	100256	TN06 W	x3	100256	TN06 W	x3
100255	M0625 BK	x3	100258	M0625 Ni	x3	114319	M0625 WZ	x3
109694	GA-30S BK		109695	GA-30S Ni		114350	GA-30S WZ	
100343	G-30S BK	x2	100344	G-30S Ni	x2	114220	G-30S WZ	x2
100257	TN06 BK	x1	100256	TN06 W	x1	100256	TN06 W	x1
100255	M0625 BK	x1	100258	M0625 Ni	x1	114319	M0625 WZ	x1
120299	GA-45S BK		120300	GA-45S Ni		120301	GA-45S WZ	
119204	G-45S BK	x2	119205	G-45S Ni	x2	119203	G-45S WZ	x2
100257	TN06 BK	x1	100256	TN06 W	x1	100256	TN06 W	x1
100255	M0625 BK	x1	100258	M0625 Ni	x1	114319	M0625 WZ	x1
109696	GA-60S BK		109697	GA-60S Ni		114351	GA-60S WZ	
100345	G-60S BK	x2	100346	G-60S Ni	x2	114221	G-60S WZ	x2
100257	TN06 BK	x1	100256	TN06 W	x1	100256	TN06 W	x1
100255	M0625 BK	x1	100258	M0625 Ni	x1	114319	M0625 WZ	x1
109685	GA-90S BK		109684	GA-90S Ni		114347	GA-90S WZ	
100334	G-90S BK	x2	100333	G-90S Ni	x2	114215	G-90S WZ	x2
100257	TN06 BK	x1	100256	TN06 W	x1	100256	TN06 W	x1
100255	M0625 BK	x1	100258	M0625 Ni	x1	114319	M0625 WZ	x1

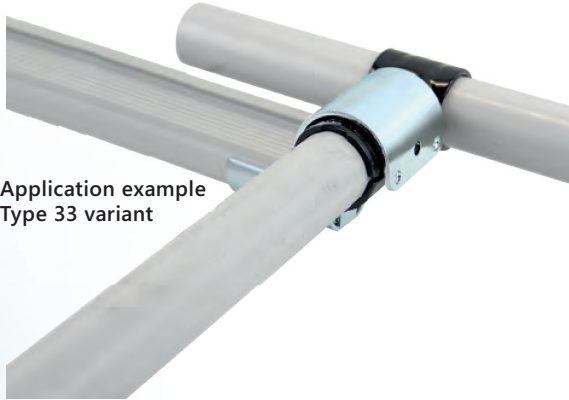
Article No.	Name BK	Quantity	Article No.	Name Ni	Quantity	Article No.	Name WZ	Quantity
109680	GA-110S BK		109681	GA-110S Ni		114344	GA-110S WZ	
100329	G-110S BK	x2	100330	G-110S Ni	x2	114213	G-110S WZ	x2
100257	TN06 BK	x2	100256	TN06 W	x2	100256	TN06 W	x2
100255	M0625 BK	x2	100258	M0625 Ni	x2	114319	M0625 WZ	x2
109682	GA-160S BK		109683	GA-160S Ni		114346	GA-160S WZ	
100331	G-160S BK	x2	100332	G-160S Ni	x2	114214	G-160S WZ	x2
100257	TN06 BK	x2	100256	TN06 W	x2	100256	TN06 W	x2
100255	M0625 BK	x2	100258	M0625 Ni	x2	114319	M0625 WZ	x2
112525	GA-44 BK		112526	GA-44 Ni		114354	GA-44 WZ	
112135	G-44 BK	x2	112136	G-44 Ni	x2	114225	G-44 WZ	x2
100257	TN06 BK	x1	100256	TN06 W	x1	100256	TN06 W	x1
100255	M0625 BK	x1	100258	M0625 Ni	x1	114319	M0625 WZ	x1
100376	GA-15S BK		100377	GA-15S Ni		114336	GA-15S WZ	
100316	G-15AS BK	x1	100317	G-15AS Ni	x1	114208	G-15AS WZ	x1
100318	G-15BS BK	x1	100319	G-15BS Ni	x1	114209	G-15BS WZ	x1
100246	M0610 BK	x1	100247	M0610 Ni	x1	114337	M0610 WZ	x1
126613	GA-15AH BK		126615	GA-15AH Ni		126614	GA-15AH WZ	
126607	G-15AH BK	x1	126609	G-15AH Ni	x1	126608	G-15AH WZ	x1
100318	G-15BS BK	x1	100319	G-15BS Ni	x1	114209	G-15BS WZ	x1
100246	M0610 BK	x1	100247	M0610 Ni	x1	114337	M0610 WZ	x1
126191	GA-15D BK		126288	GA-15D Ni		126275	GA-15D WZ	
125271	G-15D BK	x1	125293	G-15D Ni	x1	125292	G-15D WZ	x1
100318	G-15BS BK	x1	100319	G-15BS Ni	x1	114209	G-15BS WZ	x1
100246	M0610 BK	x1	100247	M0610 Ni	x1	114337	M0610 WZ	x1
108806	GA-15BDL BK		108807	GA-15BDL Ni		108808	GA-15BDL WZ	
131730	G-15BL BK	x1	131731	G-15BL Ni	x1	131729	G-15BL WZ	x1
131733	G-15DL BK	x1	131734	G-15DL Ni	x1	131732	G-15DL WZ	x1
						118369	GA-BS-15 WZ	
						116741	BS-15 WZ	x1
						116742	G-15AC WZ	x1
						114337	M0610 WZ	x1
						118368	GA-DL-15 WZ	
						116739	G-DL-15 WZ	x1
						114209	G-15BS WZ	x1
						114337	M0610 WZ	x1
100378	GA-16S BK		100379	GA-16S Ni		114338	GA-16S WZ	
100326	G-16S BK	x2	100325	G-16S Ni	x2	114212	G-16S WZ	x2
100385	GA-103 BK		100386	GA-103 Ni		114341	GA-103 WZ	
100337	G-103 BK	x2	100338	G-103 Ni	x2	114217	G-103 WZ	x2
100257	TN06 BK	x1	100256	TN06 W	x1	100256	TN06 W	x1
100255	M0625 BK	x1	100258	M0625 Ni	x1	114319	M0625 WZ	x1
114307	GA-34S BK		114308	GA-34S Ni		114358	GA-34S WZ	
114079	G-34S BK	x2	114080	G-34S Ni	x2	114231	G-34S WZ	x2
100257	TN06 BK	x2	100256	TN06 W	x2	100256	TN06 W	x2
100255	M0625 BK	x2	100258	M0625 Ni	x2	114319	M0625 WZ	x2
100382	GA-20S BK		100383	GA-20S Ni		114340	GA-20S WZ	
100323	G-20S BK	x1	100324	G-20S Ni	x1	114211	G-20S WZ	x1
100286	G-1S BK	x1	100287	G-1S Ni	x1	114193	G-1S WZ	x1
100257	TN06 BK	x1	100256	TN06 W	x1	100256	TN06 W	x1
100255	M0625 BK	x1	100258	M0625 Ni	x1	114319	M0625 WZ	x1

38.0 | STEEL-JOINTS BY G.S ACE

Article No.	Name BK	Quantity	Article No.	Name Ni	Quantity	Article No.	Name WZ	Quantity
121260	GA-54S BK		121261	GA-54S Ni		121262	GA-54S WZ	
119210	G-54S BK	x1	119211	G-54S Ni	x1	119212	G-54S WZ	x1
100294	G-4S BK	x2	100295	G-4S Ni	x2	114197	G-4S WZ	x2
100257	TN06 BK	x1	100256	TN06 W	x1	100256	TN06 W	x1
100255	M0625 BK	x1	100258	M0625 Ni	x1	114319	M0625 WZ	x1
111847	GA-104 BK		111848	GA-104 Ni		114353	GA-104 WZ	
111547	G-104 BK	x2	111548	G-104 Ni	x2	114224	G-104 WZ	x2
100257	TN06 BK	x1	100256	TN06 W	x1	100256	TN06 W	x1
100255	M0625 BK	x1	100258	M0625 Ni	x1	114319	M0625 WZ	x1
122414	GA-65S BK		122415	GA-65S Ni		122413	GA-65S WZ	
122411	G-65S BK	x2	122412	G-65S Ni	x2	122410	G-65S WZ	x2
100257	TN06 BK	x1	100256	TN06 W	x1	100256	TN06 W	x1
100255	M0625 BK	x1	100258	M0625 Ni	x1	114319	M0625 WZ	x1
123505	GA-65S-10 BK		123507	GA-65S-10 Ni		123506	GA-65S-10 WZ	
123494	G-65S-10 BK	x2	123498	G-65S-10 Ni	x2	123496	G-65S-10 WZ	x2
100257	TN06 BK	x1	100256	TN06 W	x1	100256	TN06 W	x1
100255	M0625 BK	x1	100258	M0625 Ni	x1	114319	M0625 WZ	x1
100371	GA-12S BK		100384	GA-12S Ni		114333	GA-12S WZ	
100308	G-12S BK	x2	100309	G-12S Ni	x2	114204	G-12S WZ	x2
100447	GAP-12 W	x1	100448	GAP-12-E	x1	100447	GAP-12 W	x1
100257	TN06 BK	x1	100256	TN06 W	x1	100256	TN06 W	x1
100255	M0625 BK	x1	100258	M0625 Ni	x1	114319	M0625 WZ	x1
109698	GA-24S BK		109699	GA-24S Ni		114352	GA-24S WZ	
100348	G-24S BK	x2	100347	G-24S Ni	x2	114222	G-24S WZ	x2
100447	GAP-12 W	x1	100448	GAP-12-E	x1	100447	GAP-12 W	x1
100257	TN06 BK	x2	100256	TN06 W	x2	100256	TN06 W	x2
100255	M0625 BK	x2	100258	M0625 Ni	x2	114319	M0625 WZ	x2
120191	GA-55S BK		120194	GA-55S Ni		120195	GA-55S WZ	
120185	G-22S BK	x4	12087	G-22S Ni	x4	120186	G-55S WZ	x4
100257	TN06 BK	x4	100256	TN06 W	x4	100256	TN06 W	x4
100255	M0625 BK	x4	100258	M0625 Ni	x4	114319	M0625 WZ	x4
100447	GAP-12 W	x1	100447	GAP-12 W	x1	100447	GAP-12 W	x1
100387	GA-17S BK		100388	GA-17S Ni		114342	GA-17S WZ	
100335	G-17S BK	x2	100336	G-17S Ni	x2	114216	G-17S WZ	x2
100447	GAP 12-W	x1	100448	GAP-12-E	x1	100447	GAP-12 W	x1
100257	TN06 BK	x1	100256	TN06 W	x1	100256	TN06 W	x1
100255	M0625 BK	x1	100258	M0625 Ni	x1	114319	M0625 WZ	x1
100380	GA-18S BK		100381	GA-18S Ni		114339	GA-18S WZ	
100321	G-18S BK	x2	100322	G-18S Ni	x2	114210	G-18S WZ	x2
100447	GAP 12-W	x2	100448	GAP-12-E	x2	100447	GAP-12 W	x2
100257	TN06 BK	x1	100256	TN06 W	x1	100256	TN06 W	x1
100255	M0625 BK	x1	100258	M0625 Ni	x1	114319	M0625 WZ	x1
114766	GA-25S BK		114767	GA-25S Ni		115060	GA-25S WZ	
114077	G-25AS BK	x1	114075	G-25AS Ni	x1	114229	G-25AS WZ	x1
114078	G-25BS BK	x1	114076	G-25BS Ni	x1	114230	G-25BS WZ	x1
100447	GAP-12 W	x1	100448	GAP-12-E	x1	100448	GAP-12-E	x1
100246	M0610 BK	x1	100247	M0610 Ni	x1	114337	M0610 WZ	x1
126192	GA-25C BK		126268	GA-25C Ni		126276	GA-25C WZ	
126589	G-25C BK	x2	126286	G-25C Ni	x2	126273	G-25C WZ	x2
100447	GAP-12 W	x1	100448	GAP-12-E	x1	100448	GAP-12-E	x1
111442	SI0825 8.8	x2	111442	SI0825 8.8	x2	111442	SI0825 8.8	x2
109754	M08	x2	109754	M08	x2	109754	M08	x2

Article No.	Name BK	Quantity	Article No.	Name Ni	Quantity	Article No.	Name WZ	Quantity
120188	GA-35 BK		120189	GA-35 Ni		120190	GA-35 WZ	
116744	G-35AS BK	x1	116745	G-35AS Ni	x1	116743	G-35AS WZ	x1
116747	G-35BS BK	x1	116748	G-35BS Ni	x1	116746	G-35BS WZ	x1
116749	GAP-56 WH	x1	116749	GAP-56 WH	x1	116749	GAP-56 WH	x1
100246	M0625 BK	x1	100247	M0610 Ni	x1	114337	M0610 WZ	x1
109690	GA-101 BK		109692	GA-101 Ni		114348	GA-101 WZ	
100339	G-101 BK	x2	100341	G-101 Ni	x2	114218	G-101 WZ	x2
100257	TN06 BK	x1	100256	TN06 W	x1	100256	TN06 W	x1
100255	M0625 BK	x1	100258	M0625 Ni	x1	114319	M0625 WZ	x1
109691	GA-102 BK		109693	GA-102 Ni		114349	GA-102 WZ	
100340	G-102 BK	x2	100342	G-102 Ni	x2	114219	G-102 WZ	x2
100257	TN06 BK	x1	100256	TN06 W	x1	100256	TN06 W	x1
100255	M0625 BK	x1	100258	M0625 Ni	x1	114319	M0625 WZ	x1
116388	GA-105S BK		116389	GA-105S Ni		116389	GA-105S WZ	
116359	G-105S BK	x2	116358	G-105S Ni	x2	116360	G-105S WZ	x2
100257	TN06 BK	x1	100256	TN06 W	x1	100256	TN06 W	x1
100255	M0625 BK	x1	100258	M0625 Ni	x1	114319	M0625 WZ	x1
126065	GA-106 BK		126066	GA-106 Ni		126067	GA-106 WZ	
125038	G-106 BK	x2	125039	G-106 Ni	x2	125040	G-106 WZ	x2
100257	TN06 BK	x1	100256	TN06 W	x1	100256	TN06 W	x1
100255	M0625 BK	x1	100258	M0625 Ni	x1	114319	M0625 WZ	x1
124265	GA-135S BK		124266	GA-135S Ni		124267	GA-135S WZ	
123462	G-135S BK	x2	123467	G-135S Ni	x2	123466	G-135S WZ	x2
100257	TN06 BK	x1	100256	TN06 W	x1	100256	TN06 W	x1
100255	M0625 BK	x1	100258	M0625 Ni	x1	114319	M0625 WZ	x1
126190	GA-6B-33 BK		123287	GA-6B-33 Ni		123274	GA-6B33 WZ	
126188	G-6B-33 BK	x2	126194	G-6B-33 Ni	x2	126272	G-6B-33 WZ	x2
100257	TN06 BK	x1	100256	TN06 W	x1	100256	TN06 W	x1
100255	M0625 BK	x1	100258	M0625 Ni	x1	114319	M0625 WZ	x1

Notice: 33 joint

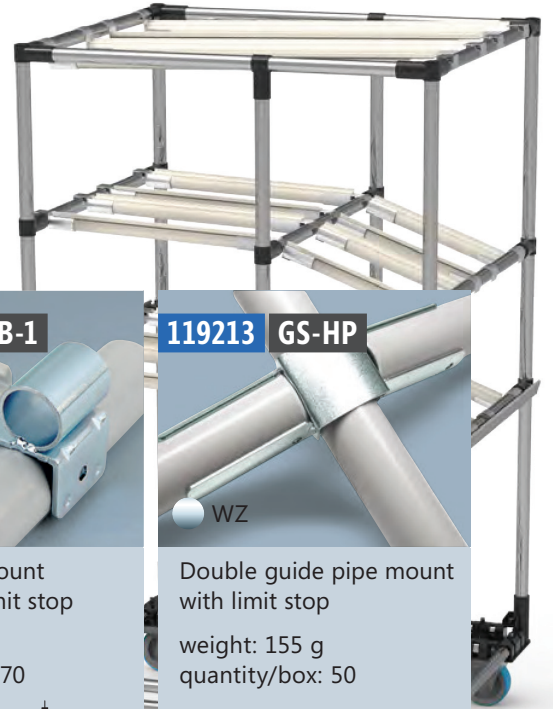


Application example
Type 33 variant

Example:

The GS-A guide pipe mount is mounted directly onto the round pipe whereas the 33 variant of the GS-A, the GS-A-33, is mounted onto another joint.

Please note: The 33 variant can only be mounted onto standard pipe joints.



Mounting bracket round pipe / slide pipe

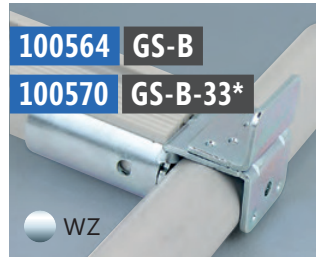
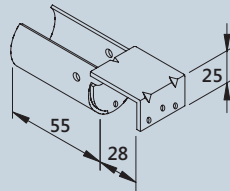
33 variant: greater suspension for space-saving positioning on Steel-joints



100563 GS-A
100569 GS-A-33*

WZ

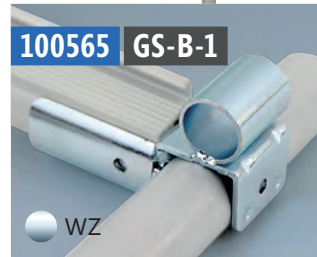
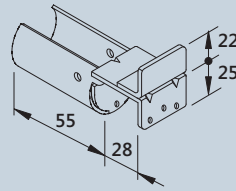
Guide pipe mount
weight: 106 g
quantity/box: 100



100564 GS-B
100570 GS-B-33*

WZ

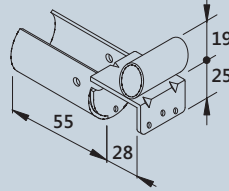
Guide pipe mount
with flange limit stop
weight: 130 g
quantity/box: 70



100565 GS-B-1

WZ

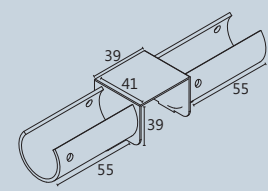
Guide pipe mount
with round limit stop
weight: 116 g
quantity/box: 70



119213 GS-HP

WZ

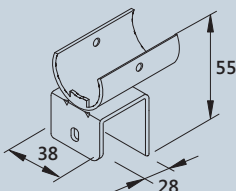
Double guide pipe mount
with limit stop
weight: 155 g
quantity/box: 50



100566 GS-C

WZ

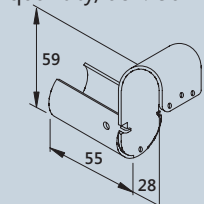
Guide pipe mount
weight: 85 g
quantity/box: 80



100567 GS-D
100571 GS-D-33*

WZ

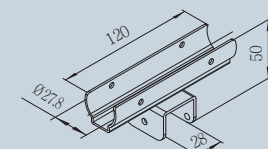
Guide pipe mount
with limit stop
weight: 116 g
quantity/box: 80



129453 GS-E

WZ

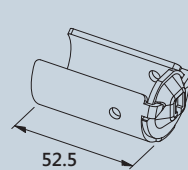
Guide pipe mount and
guide clamp
weight: 160 g
quantity/box: 30



100568 GS-11

WZ

Adjustable guide pipe
mount
weight: 73 g
quantity/box: 150



* Type 33 variants: greater suspension for space-saving positioning on metal joints. For type 33 variant, other weights and packaging units apply.

131104 GS-F¹

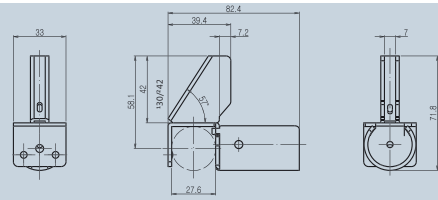
131841 GS-F40²

● WZ



NEW PRODUCT

Guide pipe mount for
¹AL-SG-28A
²AL-SG-28A-12
 weight: ¹150/²180 g
 quantity/box: ¹236



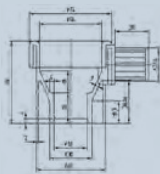
Holding devices / bottle holders / coffee cup holders

112764 TH40PA

● BK

Ø28

Tool holder, plastic
 weight: 78 g
 quantity/box: 50

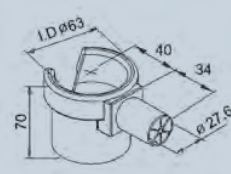


100058 TH50PA

● BK

Ø28

Tool holder, plastic
 weight: 74 g
 quantity/box: 50

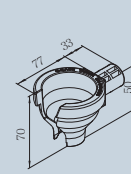


119218 TH60PA

● WZ

Ø28

Tool holder, plastic
 weight: 67 g
 quantity/box: 50

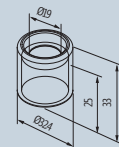


119220 TC-28

● BK

Ø28

Tool holder, plastic
 weight: 11 g
 quantity/box: 300

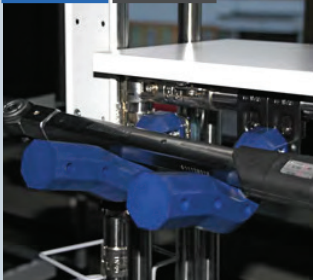


116772 WZK-O



OTTO tool holster
 Universal tool rest
 weight: 500 g

116773 WZK-K



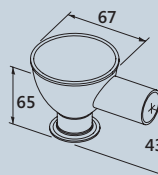
Tool holder bars
 Universal tool rest
 (1Pair = 2 pieces)
 weight: 640 g

100022 TH50YA

● WZ

Ø28

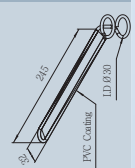
Tool holder, metal
 weight: 128 g
 quantity/box: 25



WL-250

NEW PRODUCT

Wire locking
 weight: 139 g
 quantity/box: 150



100077 ABH-1

● G

Tool/drink holder for
 bottles, square drink
 containers, tools, etc.
 Grey coated
 weight: 232 g
 quantity/box: 20



117334 TH-100L

● BK

Ø28

Universal drink holder
 Basic drink holder for holding
 bottles, glasses and
 cups with a max. diameter
 of 100 mm. Can be con-
 nected to the pipe system
 using the knurled-head
 bolt; black, lightweight
 design



117333 TH-100H

● BK

Ø28

Universal drink holder
 Stable drink holder for
 holding bottles, glasses
 and cups with a max. dia-
 meter of 100 mm. Can
 be connected to the pipe
 system using the knurled-
 head bolt; black, light-
 weight design



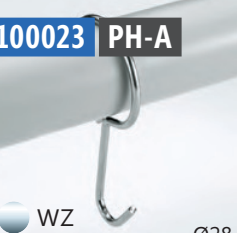


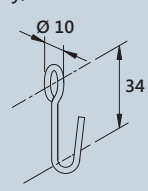
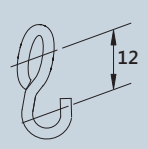
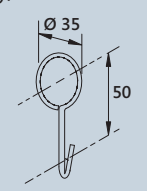
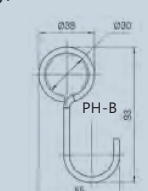
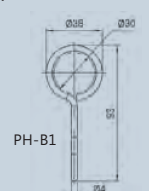

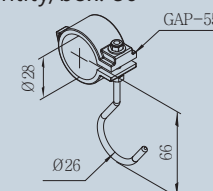

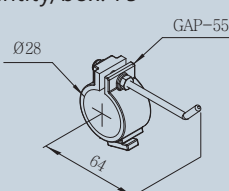


116787 KH-25

● BK

Clamp-type tool holder
 Holds devices with diame-
 ters up to 25 mm; moun-
 ted to pipe system using
 self-drilling bolts or similar.


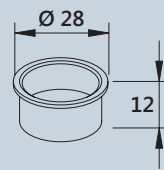


<p>100024 BH-A</p>  <p>WZ</p>	<p>100025 BH-B</p>  <p>WZ</p>	<p>100023 PH-A</p>  <p>WZ Ø28</p>	<p>111392 PH-B</p>  <p>WZ Ø28</p>	<p>115528 PH-B1</p>  <p>WZ Ø28</p>
<p>Hook weight: 1 g quantity/box: 200</p> 	<p>Hook weight: 1 g quantity/box: 500</p> 	<p>Suspension hook weight: 1 g quantity/box: 500</p> 	<p>Suspension hook weight: 1 g quantity/box: 300</p> 	<p>Suspension hook weight: 1 g quantity/box: 300</p> 
<p>130848 PH-C</p>  <p>NEW PRODUCT</p>	<p>Suspension hook weight: 19 g quantity/box: 80</p> 	<p>130849 PH-D</p>  <p>NEW PRODUCT</p>	<p>Suspension hook weight: 17 g quantity/box: 75</p> 	

Accessory

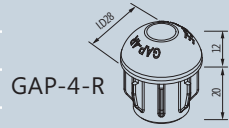
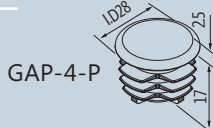

Steel caps for insertion in the pipe
weight: 9 g quantity/box: 600 pieces

	For pipe type	Pipe Ø	Material
100033 GAS-07A	D-Coat pipe	28 x 0.7 mm	Steel, galvanised
100034 GAS-10A		28 x 1.0 mm	
100031 GAS-07S	Eco pipe, SUS pipe	28 x 0.7 mm	Steel, galvanised
100032 GAS-12S		28 x 1.2 mm	

Cover caps internal, made of plastic

	ivory	grey	black	For pipe type	Pipe Ø	Material
	126278	GAP-4-R-G	126290	GAP-4-R-B	D-Coat pipe	28 mm Plastic
126271	GAP-4-P-i	126270	GAP-4-P-G	126215	GAP-4-P-B	all 28 mm Plastic.
			126269	GAP-4-P-BE*	all	28 mm Plastic.
	126285	GAP-4310-G	126297	GAP-4310-B*	D-Coat-pipe	32 mm Plastic

Cover caps internal, made of steel

	WZ	For pipe type	Pipe Ø	Material
120541	GAM-07S	SUS-Pipe	28 mm	Steel

