

3-JAW CONCENTRIC GRIPPERS

OVERVIEW OF SERIES



► PNEUMATIC



Series MGD800

248



Series GD

266



Series GD300

274



Series GPD5000

294

3-JAW CONCENTRIC GRIPPERS

SERIES MGD800

▶ PRODUCT ADVANTAGES



“The superior”

▶ **Gripper jaws may be almost 100% longer in comparison to the benchmark**

The highest force and torque measurement enables flexible for maximum dynamics

▶ **Best price/performance ratio**

Reduces your investment costs and speeds the ROI for your application

▶ **Failure-free continuous operation**

Our uncompromising “Made in Germany” quality guarantees up to 10 million maintenance-free gripping cycles

▶ THE BEST PRODUCT FOR YOUR APPLICATION



▶ **Our products love the challenge!**

Extreme conditions, all over the world—our tried and tested components and systems give you limitless possibilities:

Find the best product for your specific use:

www.zimmer-group.com

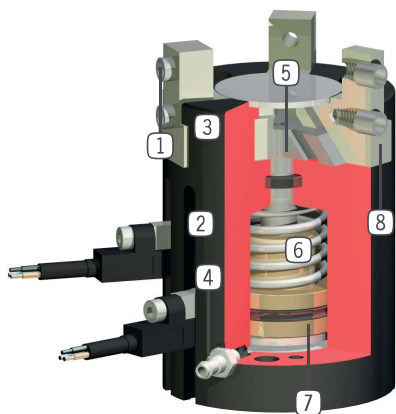
HOW TO ORDER CORRECTLY

- ▶ The product order numbers are arranged according to this diagram:

Order no.	MGD803N	<input type="checkbox"/>		
For external gripping, self-locking, spring closing		C		



► BENEFITS IN DETAIL



- ① **Removable centering sleeves**
 - quick and economical positioning of the gripper fingers
- ② **Sensing slot**
 - mounting and positioning of magnetic field sensors
- ③ **Robust, lightweight housing**
 - Hard-coated aluminum alloy
- ④ **Energy supply**
 - possible from several sides
- ⑤ **Wedge hook mechanism**
 - synchronized the movement of the gripper jaws
- ⑥ **Integrated gripping force safety device**
 - spring integrated into cylinder as energy storage (from size 803 upwards)
- ⑦ **Position sensing**
 - permanent magnet for direct monitoring of piston movement
- ⑧ **Precise T-Slot guide**
 - high forces and moments capacity

► SERIES CHARACTERISTICS



Number of installation sizes	8
Stroke per jaw	1 mm - 12 mm
Gripping force	30 N - 1420 N
Weight	0,025 kg - 2 kg
AP class	2



10 million maintenance-free cycles (max.)



Spring closing C



IP40



Magnetic field sensor

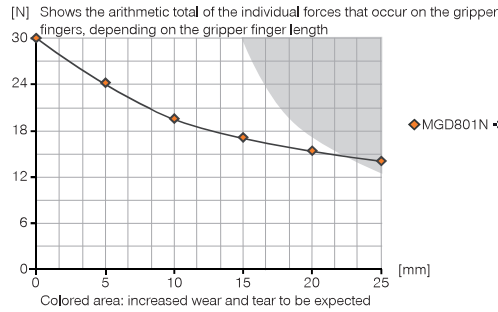
3-JAW CONCENTRIC GRIPPERS

INSTALLATION SIZE MGD801

▶ PRODUCT SPECIFICATIONS

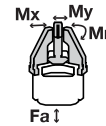


▶ Gripping force diagram



▶ Forces and moments

Displays static forces and moments that can also have an effect, besides the gripping force.



Mr [Nm]	2
Mx [Nm]	2
My [Nm]	4
Fa [N]	58

▶ INCLUDED IN DELIVERY



Centering Disc

DST80200

▶ RECOMMENDED ACCESSORIES



Straight Fittings - Barb Style Connection

GVM3



Angled Fittings - Barb Style Connection

WVM3



Quick Exhaust Valve

DEV04

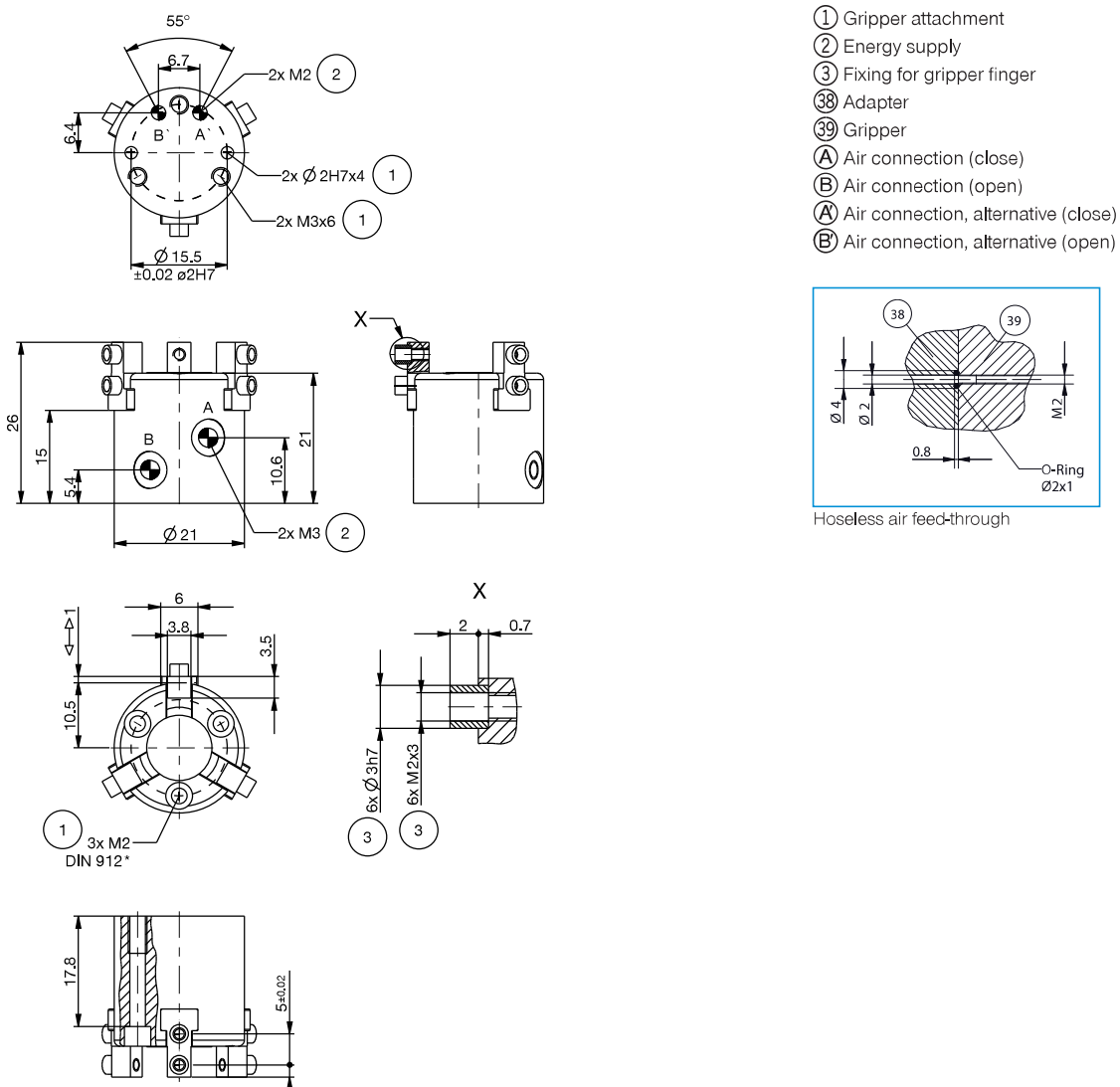


Pressure Safety Valve

DSV1-8

Order no.	MGD801N
Stroke per jaw [mm]	1
Gripping force in closing [N]	30
Gripping force in opening [N]	34
Closing time [s]	0.01
Opening time [s]	0.01
Repetition accuracy +/- [mm]	0.02
Operating pressure min. [bar]	3
Operating pressure max. [bar]	8
Operating temperature min. [°C]	5
Operating temperature max. [°C]	+80
Air volume per cycle [cm³]	0.2
Weight [kg]	0.025

*All data measured at 6 bar



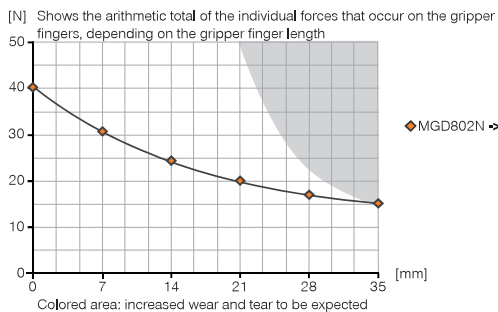
3-JAW CONCENTRIC GRIPPERS

INSTALLATION SIZE MGD802

▶ PRODUCT SPECIFICATIONS

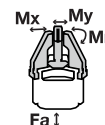


▶ Gripping force diagram



▶ Forces and moments

Displays static forces and moments that can also have an effect, besides the gripping force.



Mr [Nm]	4
Mx [Nm]	4
My [Nm]	6
Fa [N]	100

▶ INCLUDED IN DELIVERY



Centering Disc

DST80200

▶ RECOMMENDED ACCESSORIES



Straight Fittings - Barb Style Connection

GVM3



Angled Fittings - Barb Style Connection

WVM3



Quick Exhaust Valve

DEV04

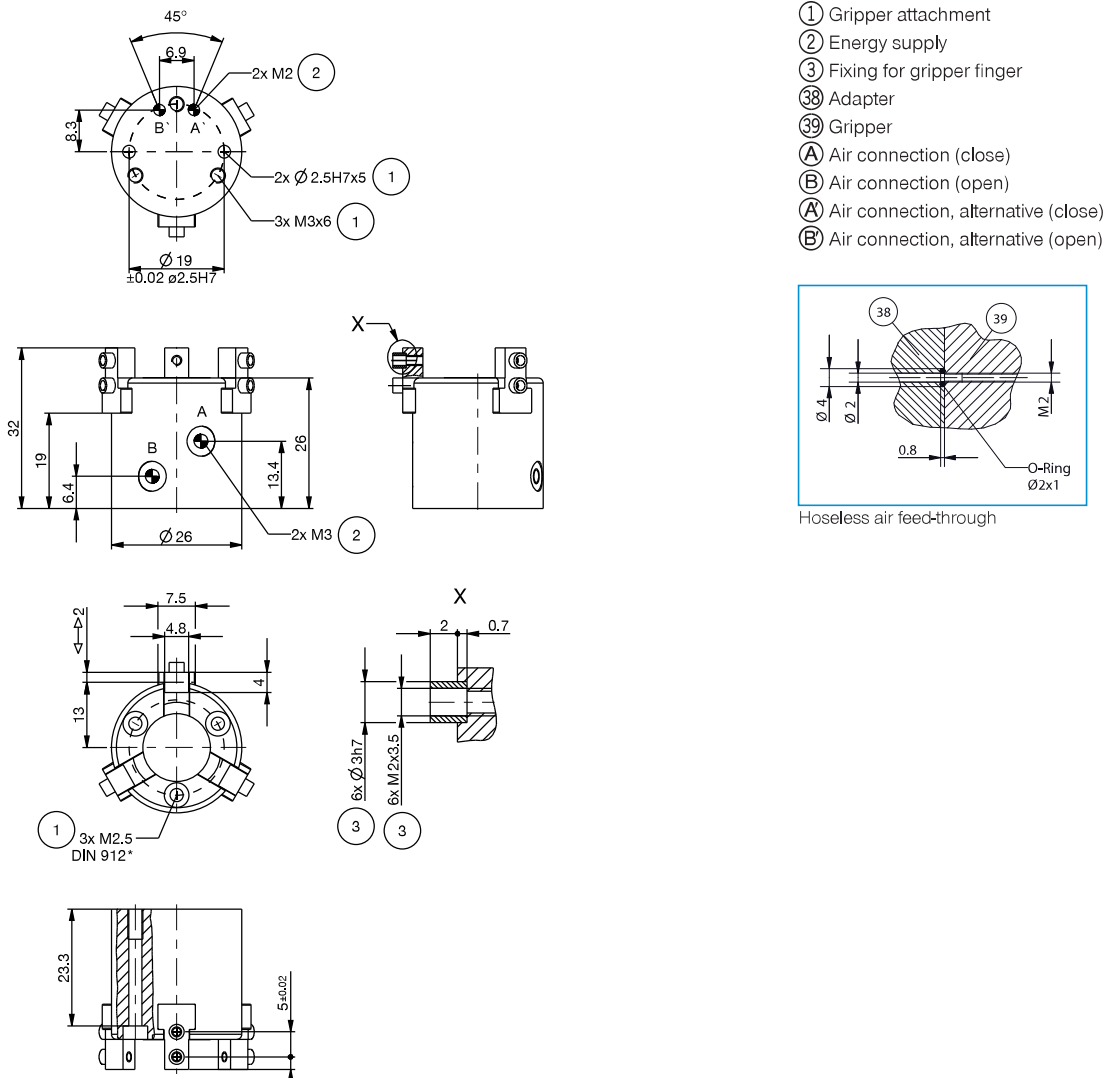


Pressure Safety Valve

DSV1-8

Order no.	Technical Data*
Stroke per jaw [mm]	2
Gripping force in closing [N]	40
Gripping force in opening [N]	45
Closing time [s]	0.02
Opening time [s]	0.02
Repetition accuracy +/- [mm]	0.02
Operating pressure min. [bar]	3
Operating pressure max. [bar]	8
Operating temperature min. [°C]	5
Operating temperature max. [°C]	+80
Air volume per cycle [cm³]	0.3
Weight [kg]	0.05

*All data measured at 6 bar



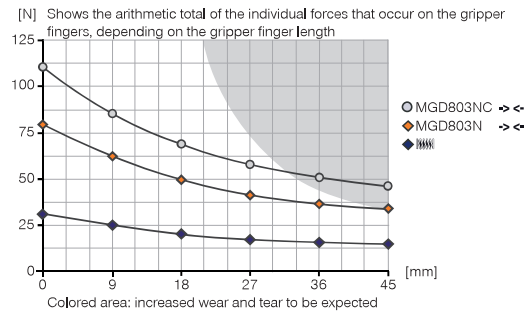
3-JAW CONCENTRIC GRIPPERS

INSTALLATION SIZE MGD803

▶ PRODUCT SPECIFICATIONS

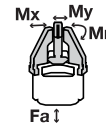


▶ Gripping force diagram



▶ Forces and moments

Displays static forces and moments that can also have an effect, besides the gripping force.



Mr [Nm]	5
Mx [Nm]	5
My [Nm]	8
Fa [N]	155

▶ INCLUDED IN DELIVERY



Centering Disc

DST80320

▶ RECOMMENDED ACCESSORIES



Magnetic field sensor
Angled Cable 0,3 m -
Connector M8
MFS103SKHC



Magnetic field sensor
Straight Cable 0,3 m -
Connector M8
MFS204SKHC



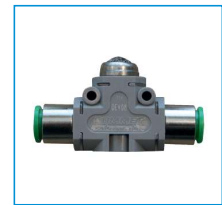
Straight Fittings - Barb
Style Connection

GVM3



Angled Fittings - Barb
Style Connection

WVM3



Quick Exhaust Valve

DEV04



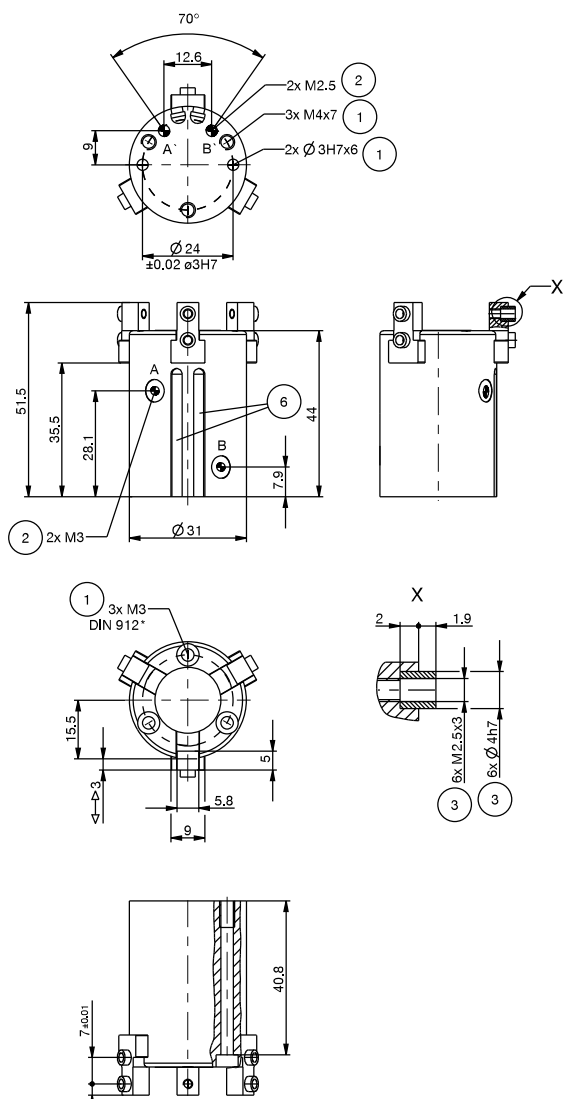
Pressure Safety Valve

DSV1-8

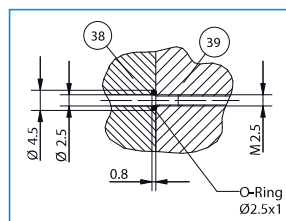
Order no.	Technical Data*	
	MGD803N	MGD803NC
Stroke per jaw [mm]	3	3
Gripping force in closing [N]	78	110
Gripping force in opening [N]	87	
Gripping force secured by spring min. [N]		32
Closing time [s]	0.02	0.02
Opening time [s]	0.02	0.03
Repetition accuracy +/- [mm]	0.02	0.02
Operating pressure min. [bar]	3	4
Operating pressure max. [bar]	8	8
Operating temperature min. [°C]	5	5
Operating temperature max. [°C]	+80	+80
Air volume per cycle [cm³]	1.5	2.4
Weight [kg]	0.08	0.115

*All data measured at 6 bar

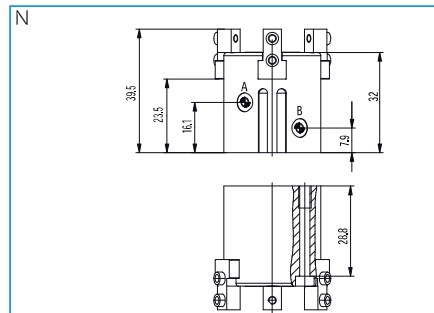
NC



- ① Gripper attachment
- ② Energy supply
- ③ Fixing for gripper finger
- ⑥ Integrated slot for magnetic field sensor
- ③⑧ Adapter
- ③⑨ Gripper
- Ⓐ Air connection (close)
- Ⓑ Air connection (open)
- Ⓐ Air connection, alternative (close)
- Ⓑ Air connection, alternative (open)



Hoseless air feed-through



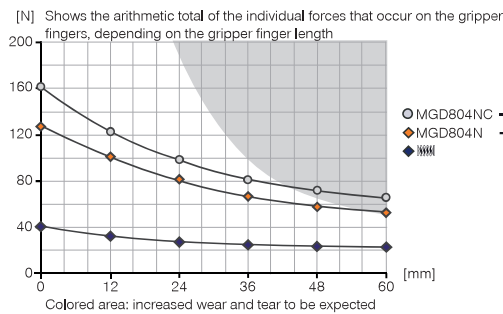
3-JAW CONCENTRIC GRIPPERS

INSTALLATION SIZE MGD804

▶ PRODUCT SPECIFICATIONS

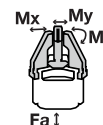


▶ Gripping force diagram



▶ Forces and moments

Displays static forces and moments that can also have an effect, besides the gripping force.



Mr [Nm]	8
Mx [Nm]	8
My [Nm]	12
Fa [N]	250

▶ INCLUDED IN DELIVERY



Centering Disc

DST06510

▶ RECOMMENDED ACCESSORIES



Magnetic field sensor
Angled Cable 0,3 m -
Connector M8
MFS103SKHC



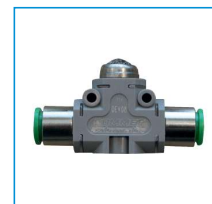
Magnetic field sensor
Straight Cable 0,3 m -
Connector M8
MFS204SKHC



Straight Fittings - Barb
Style Connection
GVM3



Angled Fittings - Barb
Style Connection
WVM3



Quick Exhaust Valve
DEV04



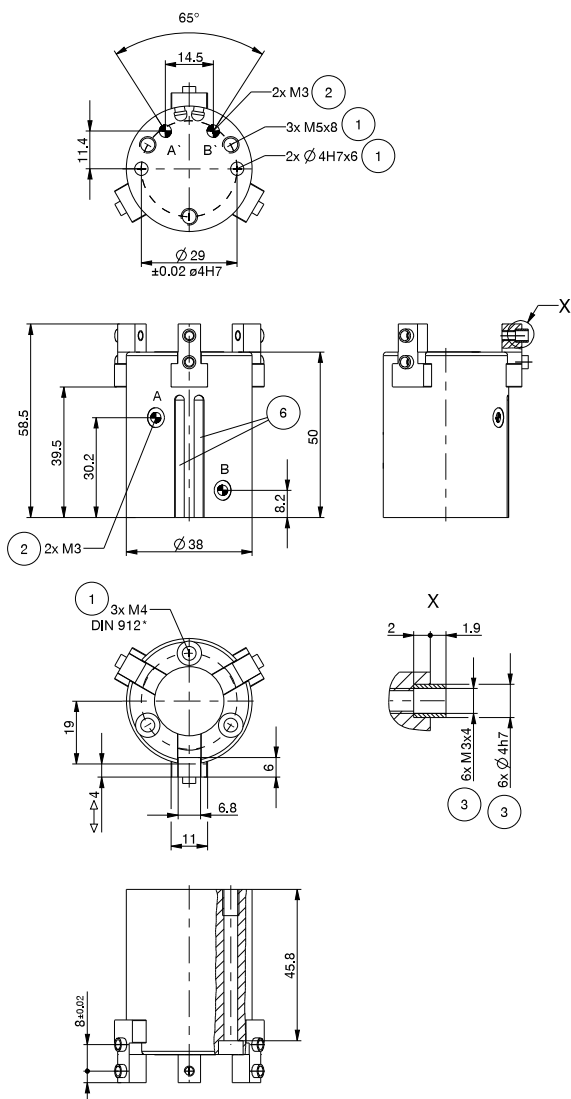
Pressure Safety Valve

DSV1-8

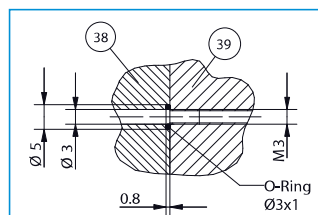
Order no.	► Technical Data*	
	MGD804N	MGD804NC
Stroke per jaw [mm]	4	4
Gripping force in closing [N]	125	160
Gripping force in opening [N]	140	
Gripping force secured by spring min. [N]		35
Closing time [s]	0.02	0.02
Opening time [s]	0.02	0.03
Repetition accuracy +/- [mm]	0.02	0.02
Operating pressure min. [bar]	3	4
Operating pressure max. [bar]	8	8
Operating temperature min. [°C]	5	5
Operating temperature max. [°C]	+80	+80
Air volume per cycle [cm ³]	2.9	4.5
Weight [kg]	0.14	0.18

*All data measured at 6 bar

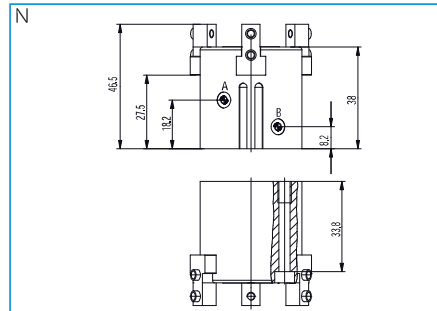
NC



- ① Gripper attachment
- ② Energy supply
- ③ Fixing for gripper finger
- ⑥ Integrated slot for magnetic field sensor
- ③⑧ Adapter
- ③⑨ Gripper
- Ⓐ Air connection (close)
- Ⓑ Air connection (open)
- Ⓐ Air connection, alternative (close)
- Ⓑ Air connection, alternative (open)



Hoseless air feed-through



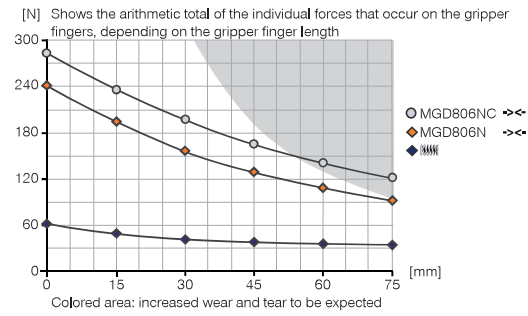
3-JAW CONCENTRIC GRIPPERS

INSTALLATION SIZE MGD806

▶ PRODUCT SPECIFICATIONS

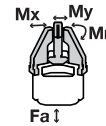


▶ Gripping force diagram



▶ Forces and moments

Displays static forces and moments that can also have an effect, besides the gripping force.



Mr [Nm]	12
Mx [Nm]	12
My [Nm]	18
Fa [N]	420

▶ INCLUDED IN DELIVERY



Centering Disc

DST40400

▶ RECOMMENDED ACCESSORIES



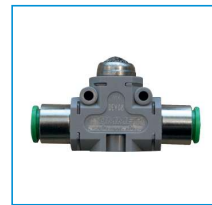
Magnetic field sensor
Angled Cable 0,3 m -
Connector M8
MFS103SKHC



Magnetic field sensor
Straight Cable 0,3 m -
Connector M8
MFS204SKHC



Straight Fittings - Quick
Connect Style
GVM5



Quick Exhaust Valve
DEV04



Pressure Safety Valve
DSV1-8

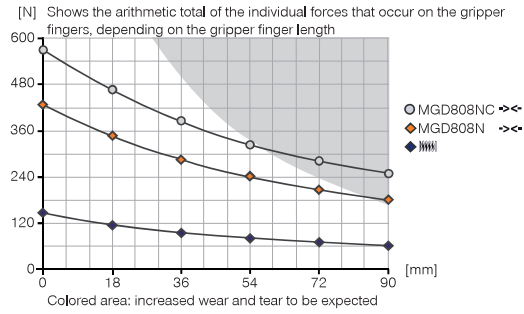
3-JAW CONCENTRIC GRIPPERS

INSTALLATION SIZE MGD808

▶ PRODUCT SPECIFICATIONS

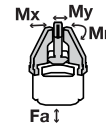


▶ Gripping force diagram



▶ Forces and moments

Displays static forces and moments that can also have an effect, besides the gripping force.



Mr [Nm]	18
Mx [Nm]	19
My [Nm]	29
Fa [N]	660

▶ INCLUDED IN DELIVERY



Centering Disc

DST40600

▶ RECOMMENDED ACCESSORIES



Magnetic field sensor
Angled Cable 0,3 m -
Connector M8
MFS103SKHC

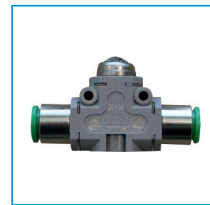


Magnetic field sensor
Straight Cable 0,3 m -
Connector M8
MFS204SKHC



Straight Fittings - Quick
Connect Style

GVM5



Quick Exhaust Valve

DEV04



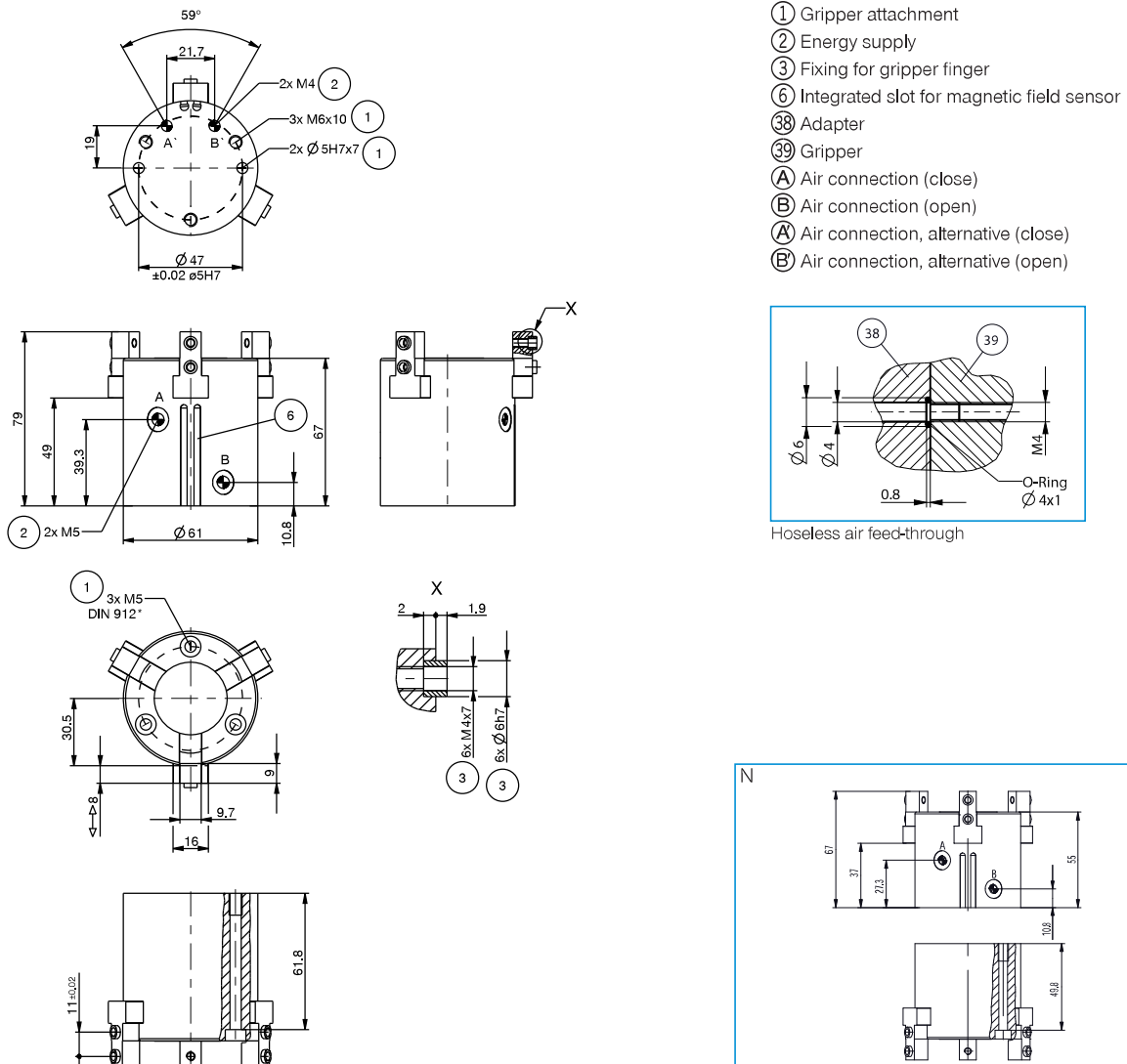
Pressure Safety Valve

DSV1-8

Order no.	► Technical Data*	
	MGD808N	MGD808NC
Stroke per jaw [mm]	8	8
Gripping force in closing [N]	415	560
Gripping force in opening [N]	450	
Gripping force secured by spring min. [N]		145
Closing time [s]	0.09	0.08
Opening time [s]	0.09	0.13
Repetition accuracy +/- [mm]	0.02	0.02
Operating pressure min. [bar]	3	4
Operating pressure max. [bar]	8	8
Operating temperature min. [°C]	5	5
Operating temperature max. [°C]	+80	+80
Air volume per cycle [cm³]	18	26
Weight [kg]	0.47	0.65

*All data measured at 6 bar

NC



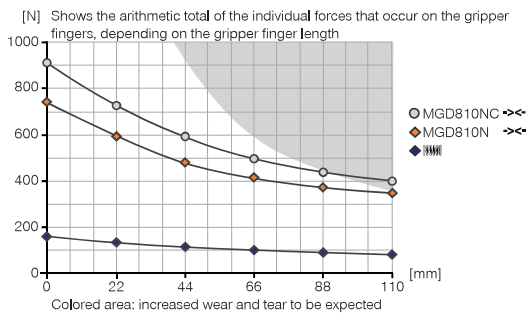
3-JAW CONCENTRIC GRIPPERS

INSTALLATION SIZE MGD810

▶ PRODUCT SPECIFICATIONS

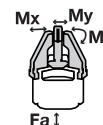


▶ Gripping force diagram



▶ Forces and moments

Displays static forces and moments that can also have an effect, besides the gripping force.



Mr [Nm]	27
Mx [Nm]	29
My [Nm]	43
Fa [N]	960

▶ INCLUDED IN DELIVERY



Centering Disc

DST07540

▶ RECOMMENDED ACCESSORIES



Magnetic field sensor
Angled Cable 0,3 m -
Connector M8
MFS103SKHC



Magnetic field sensor
Straight Cable 0,3 m -
Connector M8
MFS204SKHC



Straight Fittings - Quick
Connect Style

GVM5



Quick Exhaust Valve

DEV04



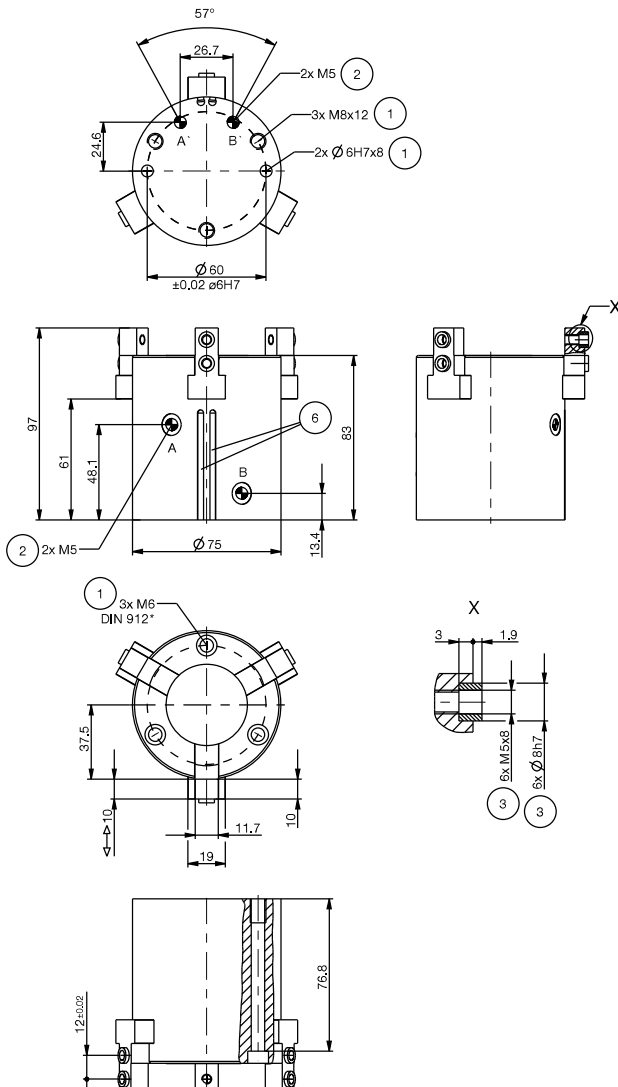
Pressure Safety Valve

DSV1-8

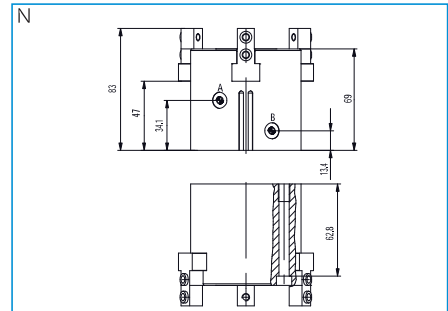
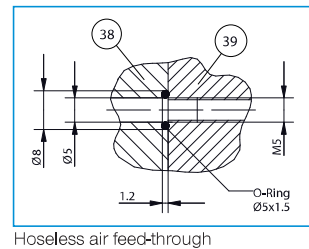
Order no.	Technical Data*	
	MGD810N	MGD810NC
Stroke per jaw [mm]	10	10
Gripping force in closing [N]	740	920
Gripping force in opening [N]	790	
Gripping force secured by spring min. [N]		180
Closing time [s]	0.1	0.1
Opening time [s]	0.1	0.15
Repetition accuracy +/- [mm]	0.02	0.02
Operating pressure min. [bar]	3	4
Operating pressure max. [bar]	8	8
Operating temperature min. [°C]	5	5
Operating temperature max. [°C]	+80	+80
Air volume per cycle [cm³]	37	50
Weight [kg]	0.98	1.16

*All data measured at 6 bar

NC



- ① Gripper attachment
- ② Energy supply
- ③ Fixing for gripper finger
- ⑥ Integrated slot for magnetic field sensor
- ③⑧ Adapter
- ③⑨ Gripper
- Ⓐ Air connection (close)
- Ⓑ Air connection (open)
- Ⓐ Air connection, alternative (close)
- Ⓑ Air connection, alternative (open)



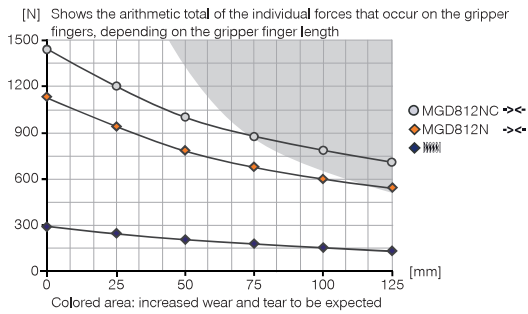
3-JAW CONCENTRIC GRIPPERS

INSTALLATION SIZE MGD812

▶ PRODUCT SPECIFICATIONS

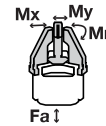


▶ Gripping force diagram



▶ Forces and moments

Displays static forces and moments that can also have an effect, besides the gripping force.



Mr [Nm]	41
Mx [Nm]	45
My [Nm]	65
Fa [N]	1500

▶ INCLUDED IN DELIVERY



Centering Disc

DST41000

▶ RECOMMENDED ACCESSORIES



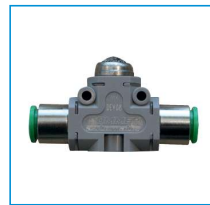
Magnetic field sensor
Angled Cable 0,3 m -
Connector M8
MFS103SKHC



Magnetic field sensor
Straight Cable 0,3 m -
Connector M8
MFS204SKHC



Straight Fittings - Quick
Connect Style
GV1-8X6



Quick Exhaust Valve
DEV06

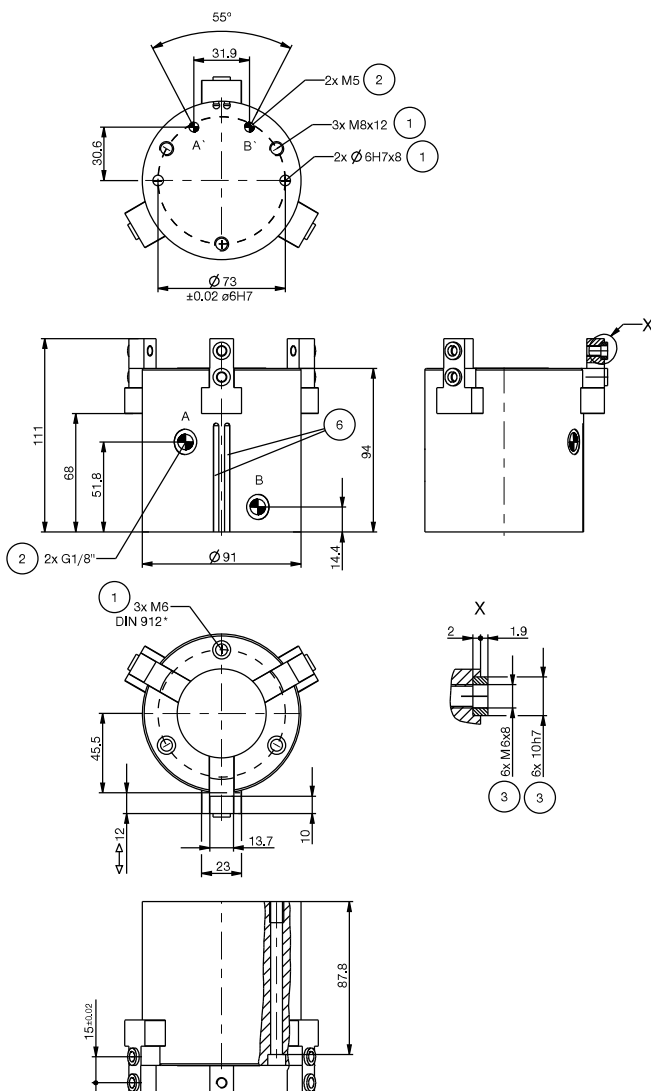


Pressure Safety Valve
DSV1-8

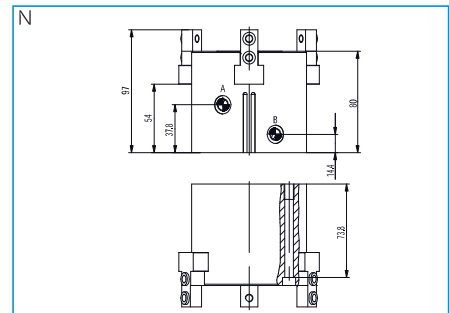
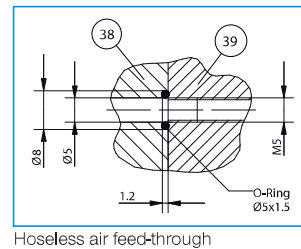
Order no.	► Technical Data*	
	MGD812N	MGD812NC
Stroke per jaw [mm]	12	12
Gripping force in closing [N]	1130	1420
Gripping force in opening [N]	1200	
Gripping force secured by spring min. [N]		290
Closing time [s]	0.12	0.12
Opening time [s]	0.12	0.17
Repetition accuracy +/- [mm]	0.02	0.02
Operating pressure min. [bar]	3	4
Operating pressure max. [bar]	8	8
Operating temperature min. [°C]	5	5
Operating temperature max. [°C]	+80	+80
Air volume per cycle [cm³]	69	97
Weight [kg]	1.67	2

*All data measured at 6 bar

NC

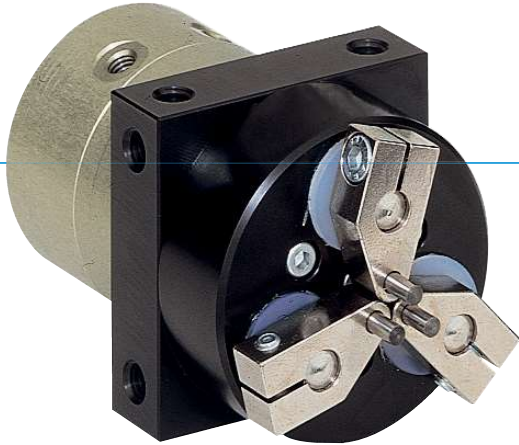


- ① Gripper attachment
- ② Energy supply
- ③ Fixing for gripper finger
- ⑥ Integrated slot for magnetic field sensor
- ③⑧ Adapter
- ③⑨ Gripper
- Ⓐ Air connection (close)
- Ⓑ Air connection (open)
- Ⓐ Air connection, alternative (close)
- Ⓑ Air connection, alternative (open)



3-JAW CONCENTRIC GRIPPERS SERIES GD

▶ PRODUCT ADVANTAGES



“The flexible”

▶ Largest stroke in small installation space

You can cover numerous application variants with just one gripper type

▶ Gripper jaws included in the delivery

Reduces your design effort, manufacturing costs and setup time

▶ Smooth stroke configuration

Using the optionally available stroke limit, you can customise the stroke to your application, even stroke sensing is possible

▶ THE BEST PRODUCT FOR YOUR APPLICATION



▶ Our products love the challenge!

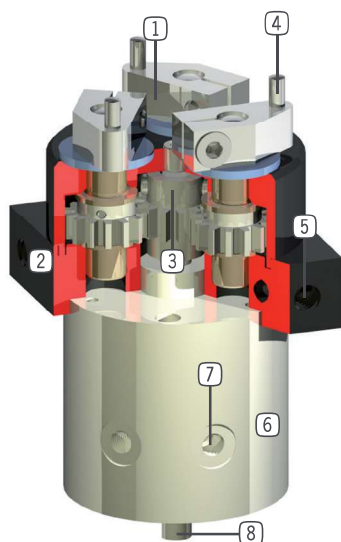
Extreme conditions, all over the world—our tried and tested components and systems give you limitless possibilities:

Find the best product for your specific use:

www.zimmer-group.com



► BENEFITS IN DETAIL



- ① **Gripping movement on rotation**
 - for various workpiece diameters
- ② **Robust, lightweight housing**
 - Hard-coated aluminum alloy
- ③ **Planetary transmission**
 - synchronized the movement of the gripper jaws
- ④ **Standard pins serve as gripper jaw**
- ⑤ **Mounting and positioning**
 - mounting possible from several sides for versatile positioning
- ⑥ **Drive**
 - double-acting pneumatic cylinder
- ⑦ **Energy supply**
 - possible radial and axial
- ⑧ **Shaft projection**
 - for accessory assembly e.g. sensors

► SERIES CHARACTERISTICS



Number of installation sizes	3
Stroke per jaw	120° - 180°
Gripping force	24 N - 530 N
Weight	0,08 kg - 2 kg
AP class	2



10 million maintenance-free cycles (max.)



Inductive sensor



IP40

3-JAW CONCENTRIC GRIPPERS

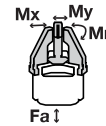
INSTALLATION SIZE GD1

▶ PRODUCT SPECIFICATIONS



▶ Forces and moments

Displays static forces and moments that can also have an effect, besides the gripping force.



Mr [Nm]	0.1
Mx [Nm]	0.1
My [Nm]	0.1
Fa [N]	10

▶ RECOMMENDED ACCESSORIES



Rotation limiter

DB1-B



Straight Fittings - Quick Connect Style

GVM5



Quick Exhaust Valve

DEV04



Pressure Safety Valve

DSV1-8

▶ RECOMMENDED ACCESSORY ROTATION LIMITER



Inductive proximity switch - Cable 5 m

NJ3-E2-02



Plug-in connector customizable Straight - Connector M8

S8-G-3

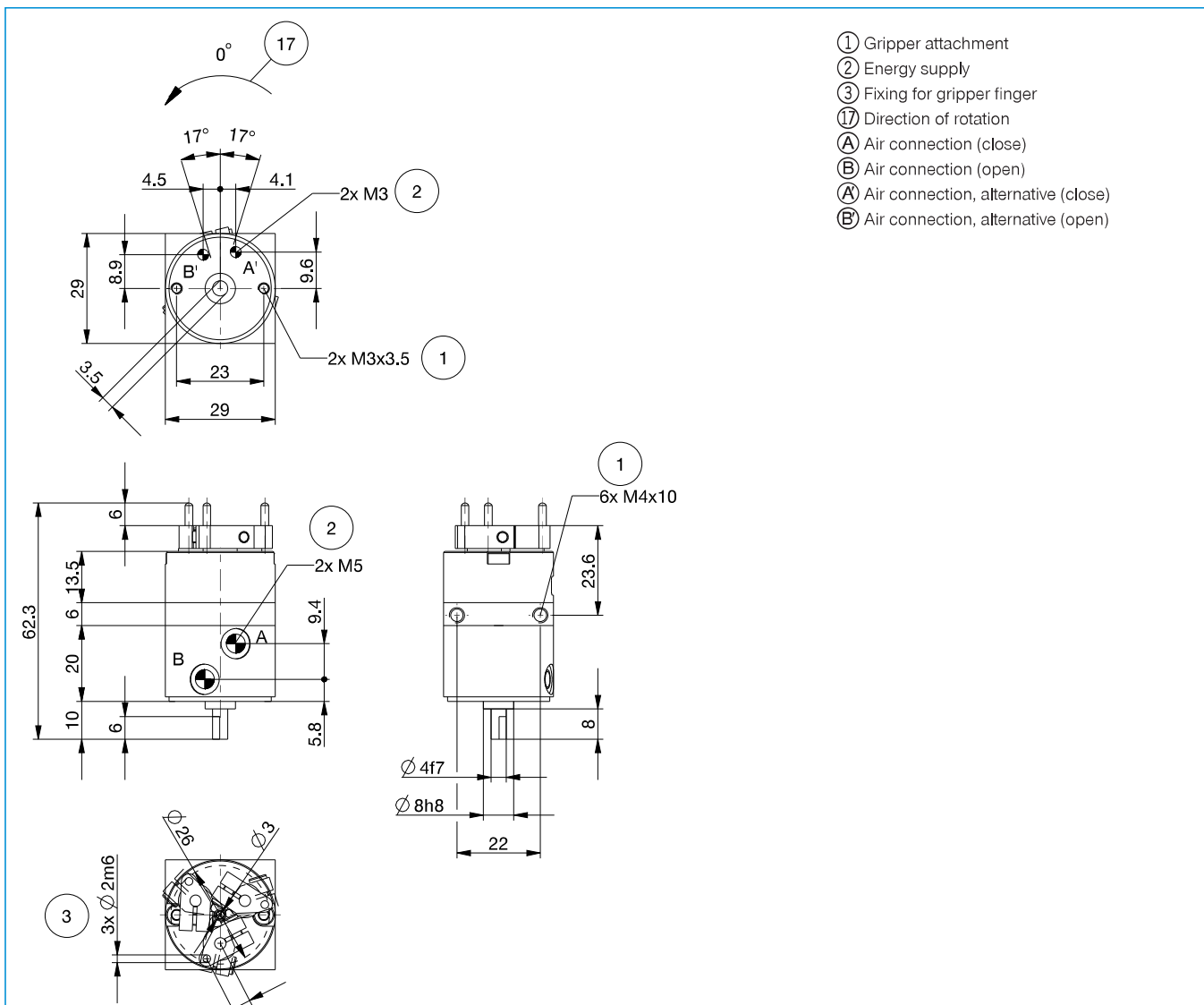


Plug-in connector customizable Straight - Connector M12

S12-G-3

Order no.	▶ Technical Data*
Stroke per jaw [°]	130
Grip diameter in closing min. [mm]	3
Grip diameter in closing max. [mm]	22
Grip diameter in opening min. [mm]	7
Grip diameter in opening max. [mm]	26
Gripping moment in closing [Nm]	0.12
Gripping moment in opening [Nm]	0.12
Closing time [s]	0.02
Opening time [s]	0.02
Repetition accuracy +/- [mm]	0.05
Operating pressure min. [bar]	3
Operating pressure max. [bar]	8
Operating temperature min. [°C]	5
Operating temperature max. [°C]	+60
Air volume per cycle [cm ³]	2.8
Weight [kg]	0.08

*All data measured at 6 bar



3-JAW CONCENTRIC GRIPPERS

INSTALLATION SIZE GD10

1

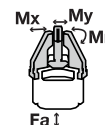
Installation size GD10 / 3-Jaw Concentric Grippers / pneumatic / Grippers

▶ PRODUCT SPECIFICATIONS



▶ Forces and moments

Displays static forces and moments that can also have an effect, besides the gripping force.



Mr [Nm]	1
Mx [Nm]	1
My [Nm]	0.5
Fa [N]	30

▶ RECOMMENDED ACCESSORIES



Rotation limiter

DB10



Straight Fittings - Quick Connect Style

GVM5



Quick Exhaust Valve

DEV04



Pressure Safety Valve

DSV1-8

▶ RECOMMENDED ACCESSORY ROTATION LIMITER



Stop Stroke Adjustment Screws

AI-M8X1-38



Stop Stroke Adjustment Screws

AI-M8X1-53



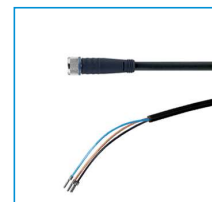
Inductive proximity switch - Cable 5 m

NJ12-E2



Inductive proximity switch - Connector M8

NJ12-E2S



Plug-in connector Straight Cable 5m - Socket M8 (female)

KAG500

3-JAW CONCENTRIC GRIPPERS

INSTALLATION SIZE GD50

1

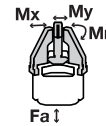
Installation size GD50 / 3-Jaw Concentric Grippers / pneumatic / Grippers

▶ PRODUCT SPECIFICATIONS



▶ Forces and moments

Displays static forces and moments that can also have an effect, besides the gripping force.



Mr [Nm]	5
Mx [Nm]	5
My [Nm]	4
Fa [N]	100

▶ RECOMMENDED ACCESSORIES



Rotation Limiter

DB50



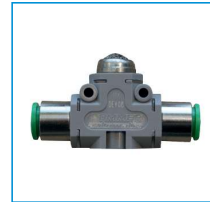
Inquiry for interim position

GF50



Straight Fittings - Quick Connect Style

GV1-8X8



Quick Exhaust Valve

DEV08

▶ RECOMMENDED ACCESSORY DB50



Stop Stroke Adjustment Screws

AI-M8X1-38



Stop Stroke Adjustment Screws

AI-M8X1-53



Inductive proximity switch - Cable 5 m

NJ12-E2



Inductive proximity switch - Connector M8

NJ12-E2S



Plug-in connector Straight Cable 5m - Socket M8 (female)
KAG500

▶ RECOMMENDED ACCESSORY GF50



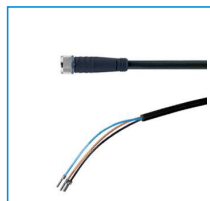
Inductive proximity switch - Cable 5 m

NJ12-E2



Inductive proximity switch - Connector M8

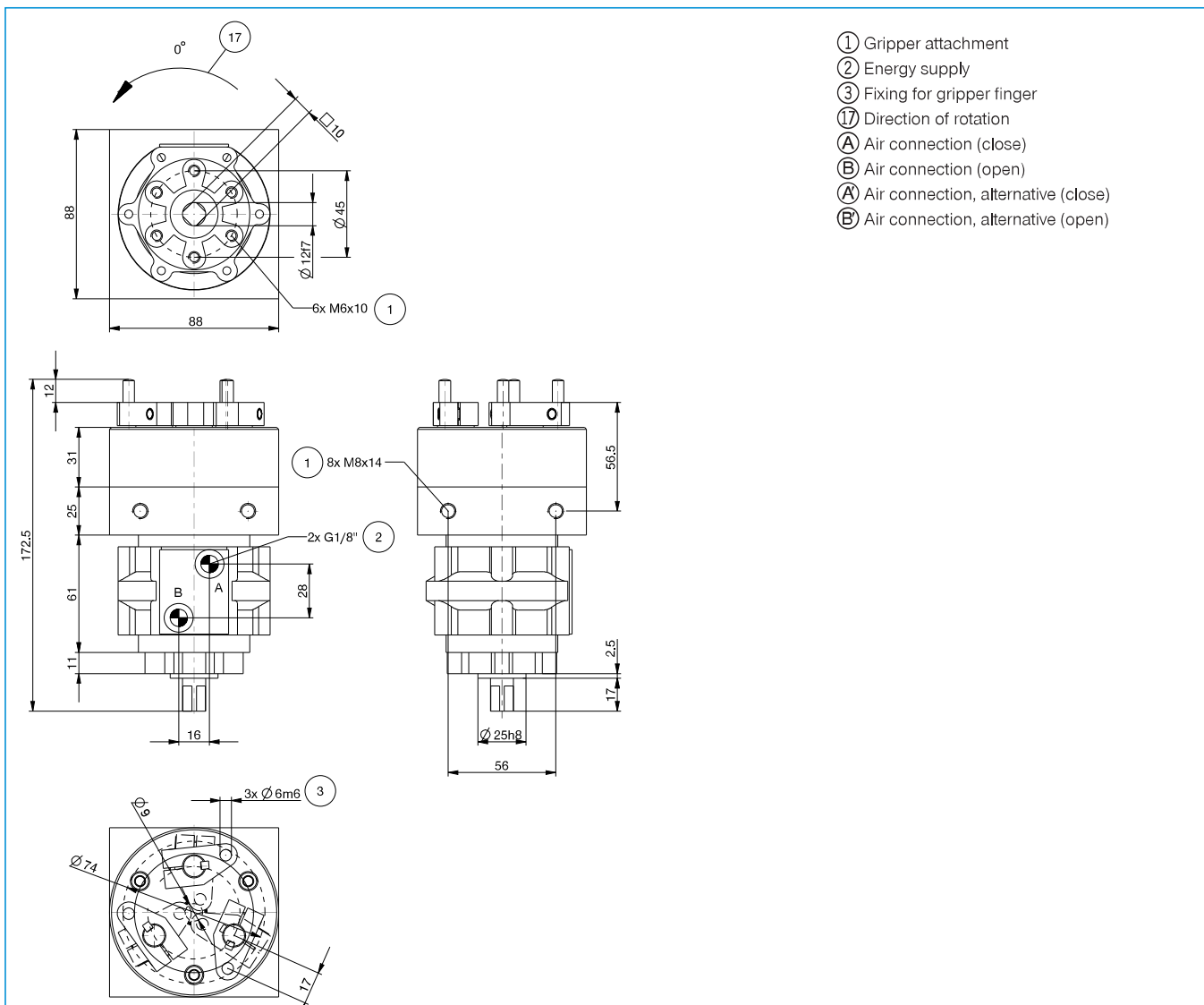
NJ12-E2S



Plug-in connector Straight Cable 5m - Socket M8 (female)
KAG500

Order no.	GD50
Stroke per jaw [°]	120
Grip diameter in closing min. [mm]	9
Grip diameter in closing max. [mm]	62
Grip diameter in opening min. [mm]	21
Grip diameter in opening max. [mm]	74
Gripping moment in closing [Nm]	9
Gripping moment in opening [Nm]	9
Closing time [s]	0.09
Opening time [s]	0.09
Repetition accuracy +/- [mm]	0.05
Operating pressure min. [bar]	3
Operating pressure max. [bar]	8
Operating temperature min. [°C]	5
Operating temperature max. [°C]	+60
Air volume per cycle [cm ³]	102
Weight [kg]	2

* All data measured at 6 bar



3-JAW CONCENTRIC GRIPPERS

SERIES GD300

▶ PRODUCT ADVANTAGES



“The economical”

▶ Concentration on the essentials

The most economic type of gripping: This is how you reduce your production costs

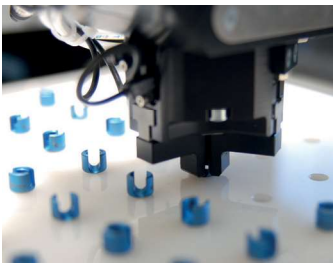
▶ Proven T slot guide

This established and proven guiding technology stands for the highest process reliability like no other

▶ Compact structure

Reduces the interference contours for your application

▶ THE BEST PRODUCT FOR YOUR APPLICATION



▶ Our products love the challenge!

Extreme conditions, all over the world—our tried and tested components and systems give you limitless possibilities:

Find the best product for your specific use:

www.zimmer-group.com

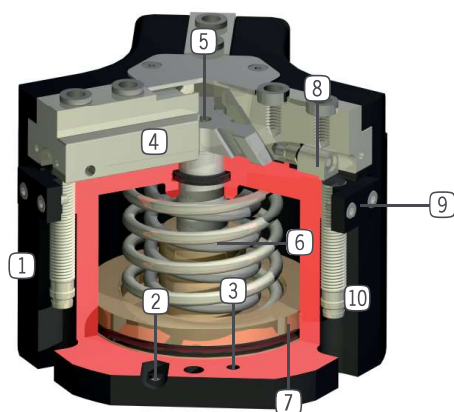
HOW TO ORDER CORRECTLY

▶ The product order numbers are arranged according to this diagram:

Order no.	GD304	<input type="checkbox"/>	<input type="checkbox"/>	-C
Long stroke		N		
High force		S		
For external gripping, self-locking, spring closing			C	
For internal gripping, self-locking, spring opening			O	



► BENEFITS IN DETAIL



- 1 Robust, lightweight housing**
 - Hard-coated aluminum alloy
- 2 Energy supply**
 - possible from several sides
- 3 Mounting and positioning**
 - mounting possible from several sides for versatile positioning
- 4 Gripper jaw**
 - individual gripper finger mounting
- 5 Wedge hook mechanism**
 - synchronized the movement of the gripper jaws
 - high force transfer
- 6 Integrated gripping force safety device**
 - spring integrated into cylinder as energy storage
- 7 Position sensing**
 - permanent magnet for direct monitoring of piston movement
- 8 Integrated, adjustable switch cam**
 - for direct position sensing of the gripper jaw
- 9 Mounting block**
 - mounting for inductive proximity switch (10)

► SERIES CHARACTERISTICS



Number of installation sizes	9
Stroke per jaw	3 mm - 30 mm
Gripping force	200 N - 34700 N
Weight	0,13 kg - 24 kg
AP class	3



10 million maintenance-free cycles (max.)



High-strength S



Magnetic field sensor



Spring closing C



Inductive sensor



Purged air



Spring opening O



IP40

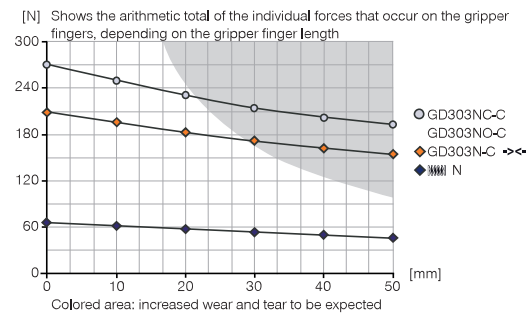
3-JAW CONCENTRIC GRIPPERS

INSTALLATION SIZE GD303

▶ PRODUCT SPECIFICATIONS

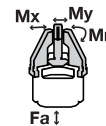


▶ Gripping force diagram



▶ Forces and moments

Displays static forces and moments that can also have an effect, besides the gripping force.



Mr [Nm]	6
Mx [Nm]	9
My [Nm]	12
Fa [N]	500

▶ INCLUDED IN DELIVERY



Mounting block

KB3-07



Centering Disc

DST40400

▶ RECOMMENDED ACCESSORIES



Universal Jaw Aluminium

UB303



Universal Jaw Steel

UB303ST



Inductive Proximity Switch
Cable 0,3 m - Connector
M8
NJ3-E2SK



Magnetic field sensor
Angled Cable 0,3 m -
Connector M8
MFS103SKHC



Magnetic field sensor
Straight Cable 0,3 m -
Connector M8
MFS204SKHC



Plug-in connector Straight Ca-
ble 5m - Socket M8 (female)

KAG500



Plug-in connector Angled Ca-
ble 5m - Socket M8 (female)

KAW500



Straight Fittings - Quick
Connect Style

GVM5



Angled Fittings - Quick
Connect Style

WVM5



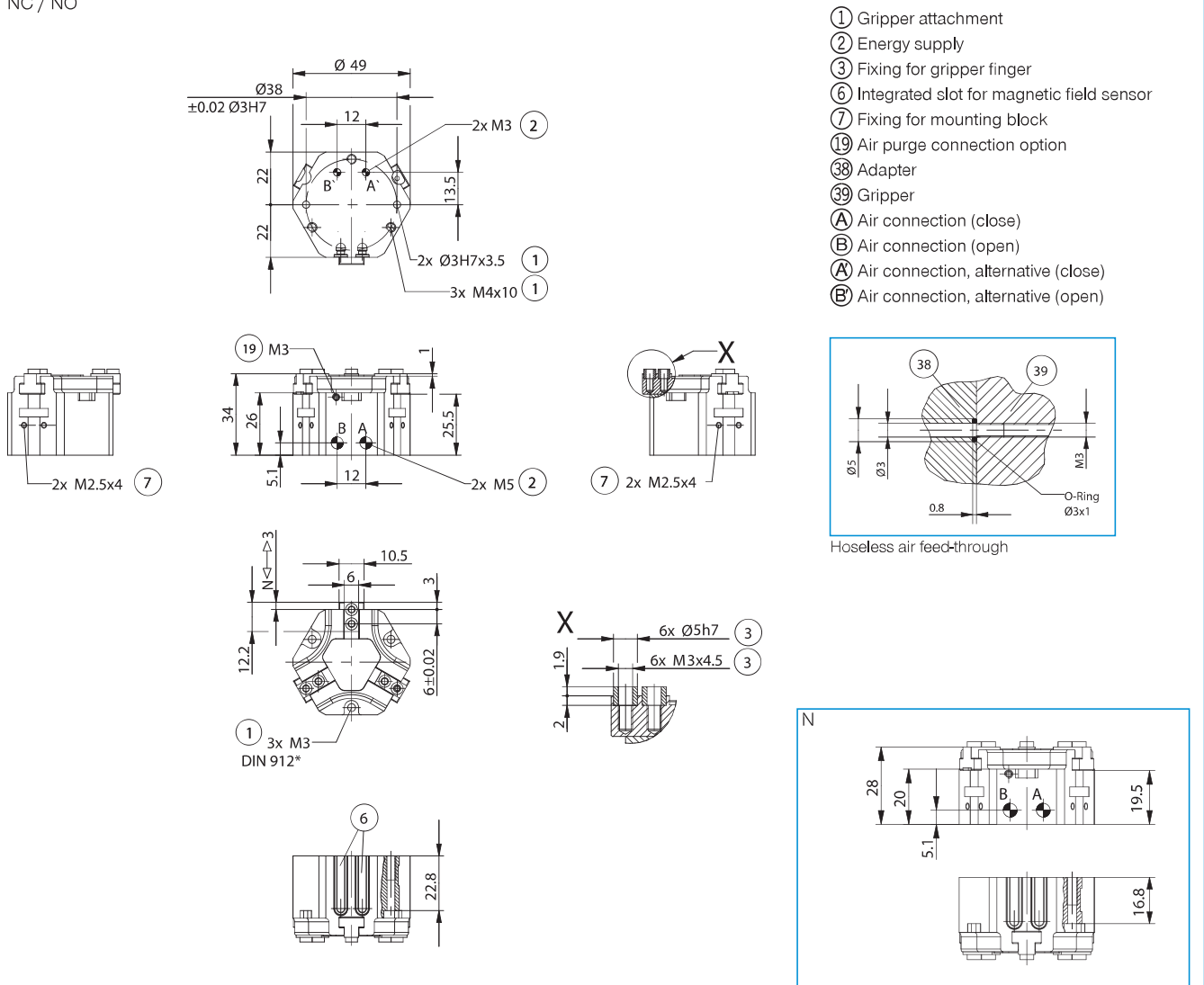
Pressure Safety Valve

DSV1-8

Order no.	Technical Data*		
	GD303N-C	GD303NC-C	GD303NO-C
Stroke per jaw [mm]	3	3	3
Gripping force in closing [N]	200	270	
Gripping force in opening [N]	230		300
Gripping force secured by spring min. [N]		70	70
Closing time [s]	0.02	0.02	0.03
Opening time [s]	0.02	0.03	0.02
Repetition accuracy +/- [mm]	0.05	0.05	0.05
Operating pressure min. [bar]	2	4	4
Operating pressure max. [bar]	8	8	8
Operating temperature min. [°C]	5	5	5
Operating temperature max. [°C]	+80	+80	+80
Air volume per cycle [cm³]	3.5	6.7	6.7
Weight [kg]	0.13	0.16	0.16

*All data measured at 6 bar

NC / NO



- ① Gripper attachment
- ② Energy supply
- ③ Fixing for gripper finger
- ⑥ Integrated slot for magnetic field sensor
- ⑦ Fixing for mounting block
- ⑰ Air purge connection option
- ⑳ Adapter
- ㉑ Gripper
- Ⓐ Air connection (close)
- Ⓑ Air connection (open)
- Ⓐ' Air connection, alternative (close)
- Ⓑ' Air connection, alternative (open)

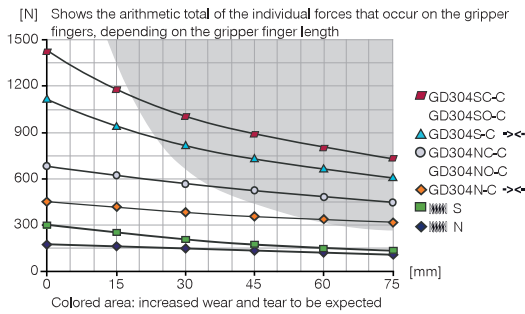
3-JAW CONCENTRIC GRIPPERS

INSTALLATION SIZE GD304

▶ PRODUCT SPECIFICATIONS

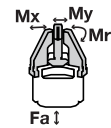


▶ Gripping force diagram



▶ Forces and moments

Displays static forces and moments that can also have an effect, besides the gripping force.



Mr [Nm]	8
Mx [Nm]	15
My [Nm]	15
Fa [N]	700

▶ INCLUDED IN DELIVERY



Mounting block

KB3-08



Centering Disc

DST40400

▶ RECOMMENDED ACCESSORIES



Universal Jaw Aluminium

UB304



Universal Jaw Steel

UB304ST



Pressure piece N / S

ADS304N-S



Pressure piece NC / NO / SC / SO

ADS304C-O



Inductive Proximity Switch Cable 0,3 m - Connector M8 NJ3-E2SK



Magnetic field sensor Angled Cable 0,3 m - Connector M8

MFS103SKHC



Magnetic field sensor Straight Cable 0,3 m - Connector M8

MFS204SKHC



Straight Fittings - Quick Connect Style

GVM5



Angled Fittings - Quick Connect Style

WVM5



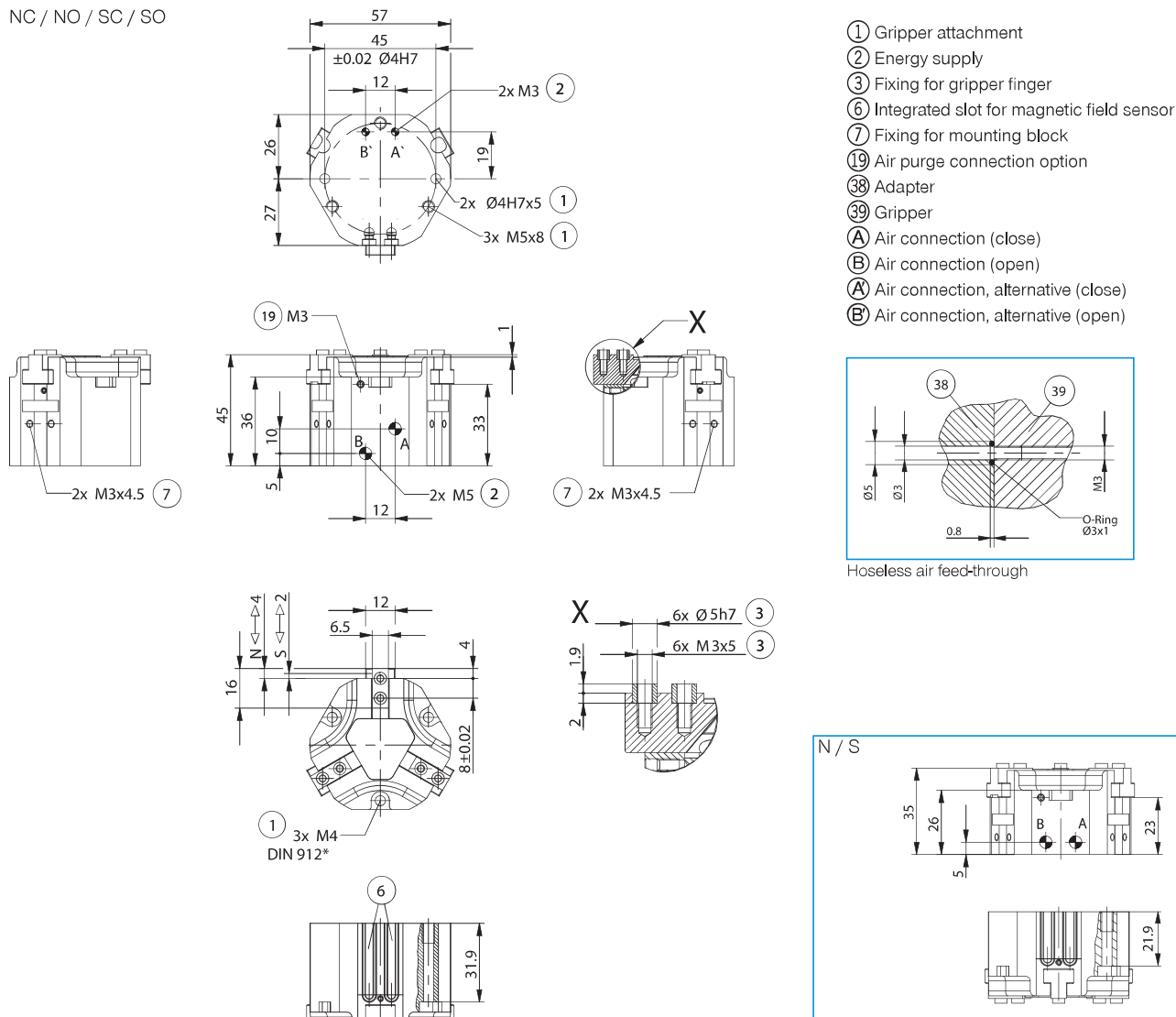
Pressure Safety Valve

DSV1-8

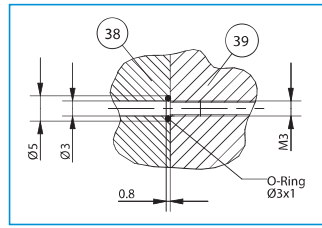
Order no.	Technical Data*					
	GD304N-C	GD304NC-C	GD304NO-C	GD304S-C	GD304SC-C	GD304SO-C
Stroke per jaw [mm]	4	4	4	2	2	2
Gripping force in closing [N]	450	650		1000	1400	
Gripping force in opening [N]	500		700	1100		1500
Gripping force secured by spring min. [N]		200	200		400	400
Closing time [s]	0.025	0.02	0.03	0.025	0.02	0.03
Opening time [s]	0.025	0.03	0.02	0.025	0.03	0.02
Repetition accuracy +/- [mm]	0.05	0.05	0.05	0.05	0.05	0.05
Operating pressure min. [bar]	2	4	4	2	4	4
Operating pressure max. [bar]	8	8	8	8	8	8
Operating temperature min. [°C]	5	5	5	5	5	5
Operating temperature max. [°C]	+80	+80	+80	+80	+80	+80
Air volume per cycle [cm³]	9.2	19.2	19.2	9.2	19.2	19.2
Weight [kg]	0.22	0.28	0.28	0.22	0.28	0.28

*All data measured at 6 bar

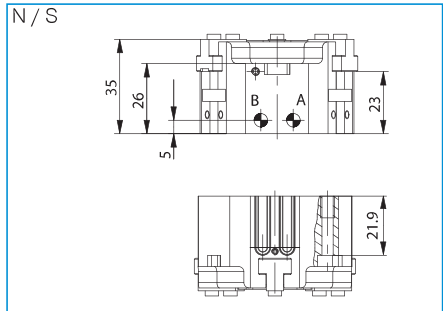
NC / NO / SC / SO



- ① Gripper attachment
- ② Energy supply
- ③ Fixing for gripper finger
- ⑥ Integrated slot for magnetic field sensor
- ⑦ Fixing for mounting block
- ⑰ Air purge connection option
- ⑳ Adapter
- ㉑ Gripper
- Ⓐ Air connection (close)
- Ⓑ Air connection (open)
- Ⓐ Air connection, alternative (close)
- Ⓑ Air connection, alternative (open)



Hoseless air feed-through



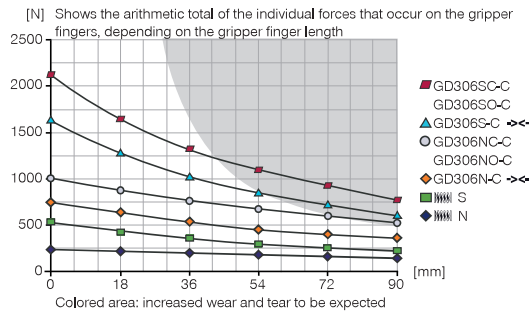
3-JAW CONCENTRIC GRIPPERS

INSTALLATION SIZE GD306

▶ PRODUCT SPECIFICATIONS

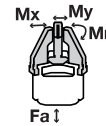


▶ Gripping force diagram



▶ Forces and moments

Displays static forces and moments that can also have an effect, besides the gripping force.



Mr [Nm]	35
Mx [Nm]	50
My [Nm]	45
Fa [N]	1200

▶ INCLUDED IN DELIVERY



Mounting block

KB3-39



Centering Disc

DST40600

▶ RECOMMENDED ACCESSORIES



Universal Jaw Aluminium

UB306



Universal Jaw Steel

UB306ST



Pressure piece N / S

ADS306N-S



Pressure piece NC / NO / SC / SO

ADS306C-O



Inductive proximity switch - Connector M8

NJ8-E2S



Magnetic field sensor Angled Cable 0,3 m - Connector M8

MFS103SKHC



Magnetic field sensor Straight Cable 0,3 m - Connector M8

MFS204SKHC



Straight Fittings - Quick Connect Style

GVM5



Angled Fittings - Quick Connect Style

WVM5



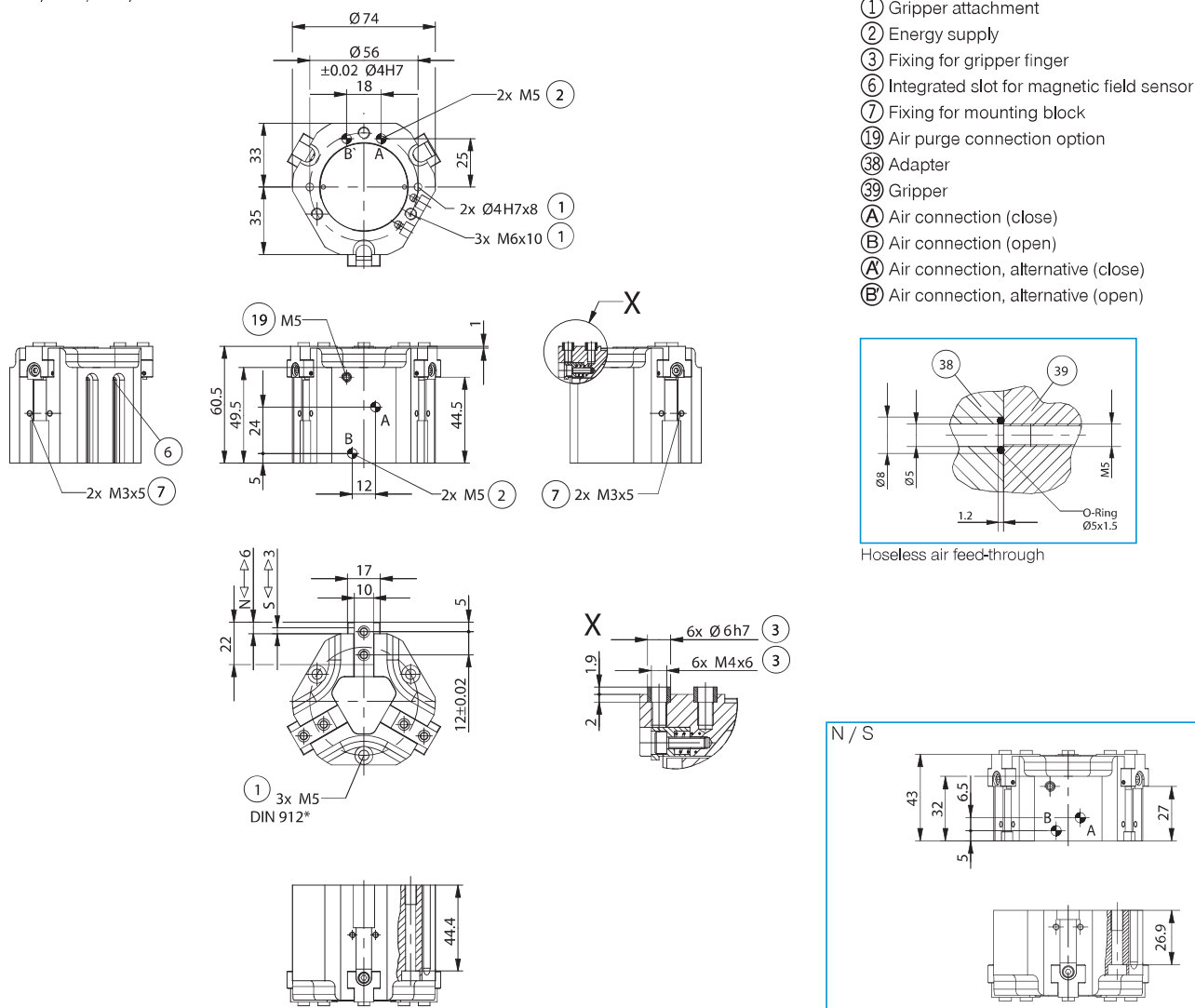
Pressure Safety Valve

DSV1-8

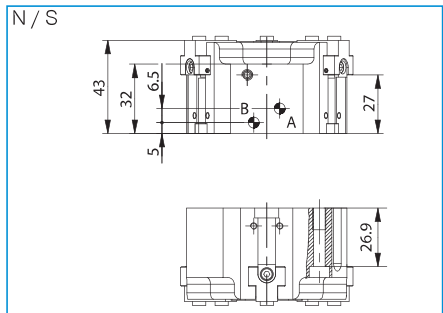
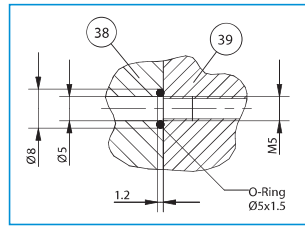
Order no.	Technical Data*					
	GD306N-C	GD306NC-C	GD306NO-C	GD306S-C	GD306SC-C	GD306SO-C
Stroke per jaw [mm]	6	6	6	3	3	3
Gripping force in closing [N]	750	1000		1600	2150	
Gripping force in opening [N]	800		1050	1750		2300
Gripping force secured by spring min. [N]		250	250		550	550
Closing time [s]	0.03	0.03	0.05	0.03	0.03	0.05
Opening time [s]	0.03	0.05	0.03	0.03	0.05	0.03
Repetition accuracy +/- [mm]	0.05	0.05	0.05	0.05	0.05	0.05
Operating pressure min. [bar]	2	4	4	2	4	4
Operating pressure max. [bar]	8	8	8	8	8	8
Operating temperature min. [°C]	5	5	5	5	5	5
Operating temperature max. [°C]	+80	+80	+80	+80	+80	+80
Air volume per cycle [cm³]	21.5	48	48	21.5	48	48
Weight [kg]	0.5	0.65	0.65	0.5	0.65	0.65

*All data measured at 6 bar

NC / NO / SC / SO



- ① Gripper attachment
- ② Energy supply
- ③ Fixing for gripper finger
- ⑥ Integrated slot for magnetic field sensor
- ⑦ Fixing for mounting block
- ⑰ Air purge connection option
- ⑳ Adapter
- ㉑ Gripper
- Ⓐ Air connection (close)
- Ⓑ Air connection (open)
- Ⓐ Air connection, alternative (close)
- Ⓑ Air connection, alternative (open)



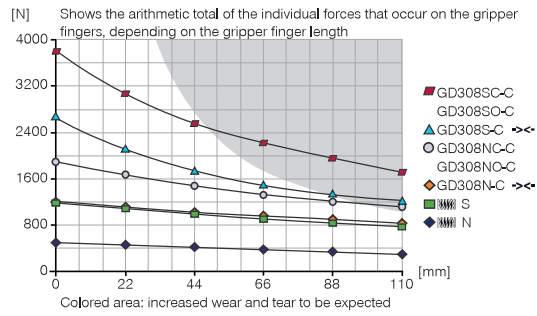
3-JAW CONCENTRIC GRIPPERS

INSTALLATION SIZE GD308

▶ PRODUCT SPECIFICATIONS

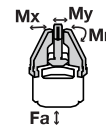


▶ Gripping force diagram



▶ Forces and moments

Displays static forces and moments that can also have an effect, besides the gripping force.



Mr [Nm]	50
Mx [Nm]	80
My [Nm]	60
Fa [N]	1800

▶ INCLUDED IN DELIVERY



Mounting block

KB8-30



Centering Disc

DST40800

▶ RECOMMENDED ACCESSORIES



Universal Jaw Aluminium

UB308



Universal Jaw Steel

UB308ST



Pressure piece N / S

ADS308N-S



Pressure piece NC / NO / SC / SO

ADS308C-O



Inductive proximity switch - Connector M8

NJ8-E2S



Magnetic field sensor Angled Cable 0,3 m - Connector M8

MFS103SKHC



Magnetic field sensor Straight Cable 0,3 m - Connector M8

MFS204SKHC



Straight Fittings - Quick Connect Style

GV1-8X6



Angled Fittings - Quick Connect Style

WV1-8X6



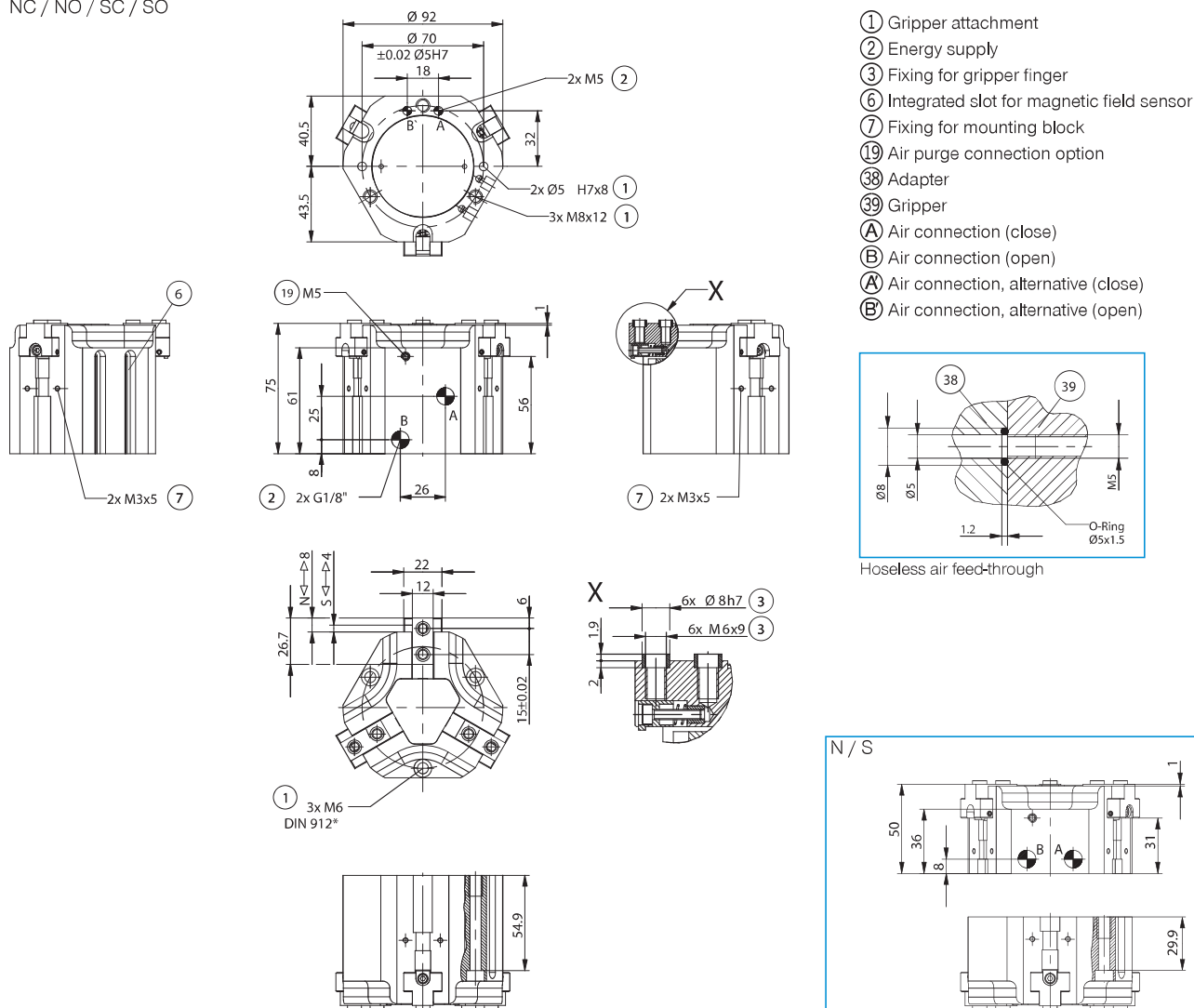
Pressure Safety Valve

DSV1-8

Order no.	▶ Technical Data*					
	GD308N-C	GD308NC-C	GD308NO-C	GD308S-C	GD308SC-C	GD308SO-C
Stroke per jaw [mm]	8	8	8	4	4	4
Gripping force in closing [N]	1200	1800		2600	3800	
Gripping force in opening [N]	1300		1900	2800		4000
Gripping force secured by spring min. [N]		600	600		1200	1200
Closing time [s]	0.05	0.03	0.06	0.05	0.03	0.06
Opening time [s]	0.05	0.06	0.03	0.05	0.06	0.03
Repetition accuracy +/- [mm]	0.05	0.05	0.05	0.05	0.05	0.05
Operating pressure min. [bar]	2	4	4	2	4	4
Operating pressure max. [bar]	8	8	8	8	8	8
Operating temperature min. [°C]	5	5	5	5	5	5
Operating temperature max. [°C]	+80	+80	+80	+80	+80	+80
Air volume per cycle [cm³]	47	108	108	47	108	108
Weight [kg]	0.85	1.2	1.2	0.85	1.2	1.2

*All data measured at 6 bar

NC / NO / SC / SO



N/S

3-JAW CONCENTRIC GRIPPERS

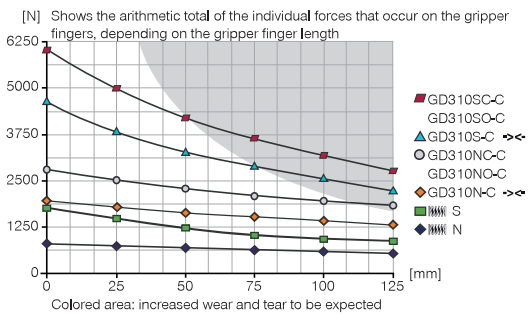
INSTALLATION SIZE GD310

Installation size GD310 / 3-Jaw Concentric Grippers / pneumatic / Grippers

▶ PRODUCT SPECIFICATIONS

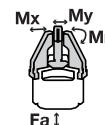


▶ Gripping force diagram



▶ Forces and moments

Displays static forces and moments that can also have an effect, besides the gripping force.



Mr [Nm]	75
Mx [Nm]	100
My [Nm]	90
Fa [N]	2500

▶ INCLUDED IN DELIVERY



Centering Disc

DST41000

▶ RECOMMENDED ACCESSORIES



Universal Jaw Aluminium

UB310



Universal Jaw Steel

UB310ST



Pressure piece N / S

ADS310N-S



Pressure piece NC / NO / SC / SO

ADS310C-O



Alternate proximity bracket

KHA310-B-8



Inductive proximity switch - Connector M8

NJ8-E2S



Magnetic field sensor Angled Cable 0,3 m - Connector M8

MFS103SKHC



Magnetic field sensor Straight Cable 0,3 m - Connector M8

MFS204SKHC



Straight Fittings - Quick Connect Style

GV1-8X6



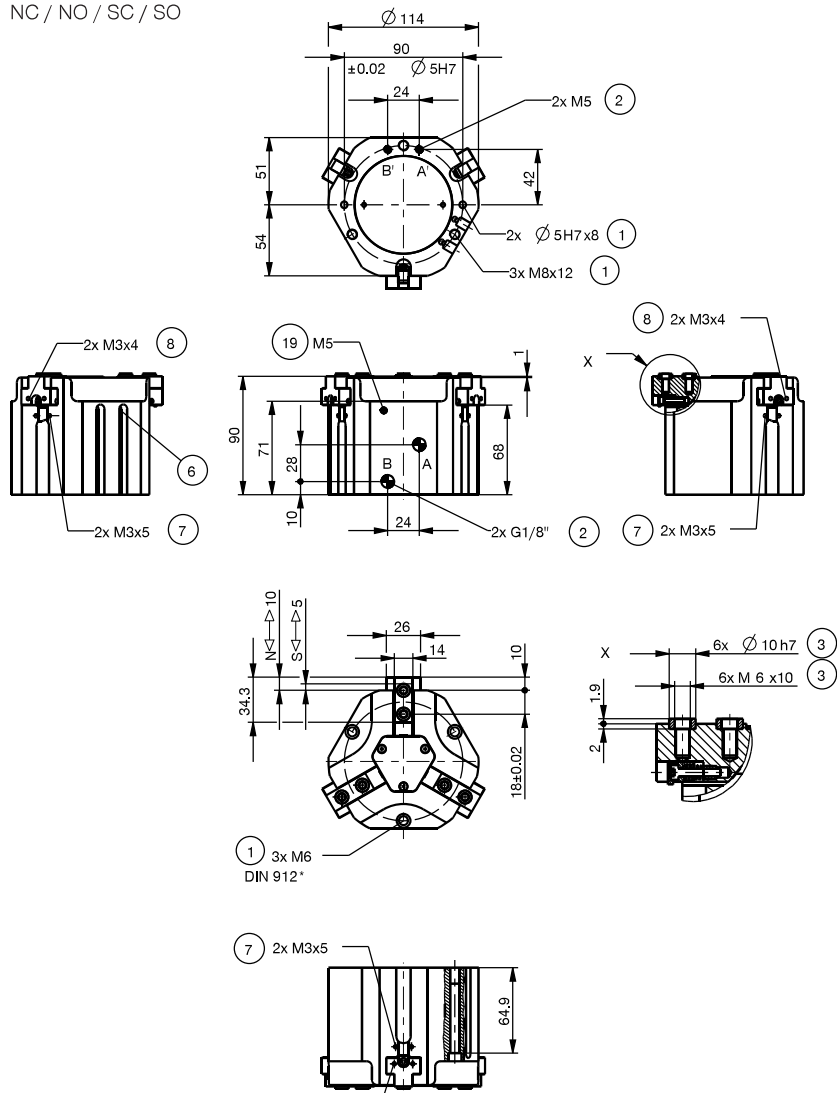
Pressure Safety Valve

DSV1-8

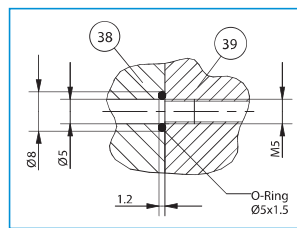
Order no.	Technical Data*					
	GD310N-C	GD310NC-C	GD310NO-C	GD310S-C	GD310SC-C	GD310SO-C
Stroke per jaw [mm]	10	10	10	5	5	5
Gripping force in closing [N]	2000	2800		4400	6200	
Gripping force in opening [N]	2100		2900	4600		6400
Gripping force secured by spring min. [N]		800	800		1800	1800
Closing time [s]	0.1	0.07	0.2	0.1	0.07	0.2
Opening time [s]	0.1	0.2	0.07	0.1	0.2	0.07
Repetition accuracy +/- [mm]	0.05	0.05	0.05	0.05	0.05	0.05
Operating pressure min. [bar]	2	4	4	2	4	4
Operating pressure max. [bar]	8	8	8	8	8	8
Operating temperature min. [°C]	5	5	5	5	5	5
Operating temperature max. [°C]	+80	+80	+80	+80	+80	+80
Air volume per cycle [cm³]	100	220	220	100	220	220
Weight [kg]	1.6	2.2	2.2	1.6	2.2	2.2

*All data measured at 6 bar

NC / NO / SC / SO

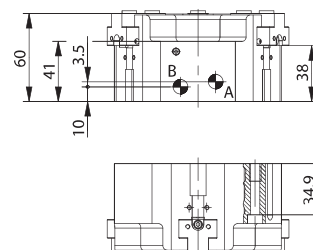


- ① Gripper attachment
- ② Energy supply
- ③ Fixing for gripper finger
- ⑥ Integrated slot for magnetic field sensor
- ⑦ Fixing for mounting block
- ⑰ Air purge connection option
- ⑳ Adapter
- ㉑ Gripper
- Ⓐ Air connection (close)
- Ⓑ Air connection (open)
- Ⓐ Air connection, alternative (close)
- Ⓑ Air connection, alternative (open)



Hoseless air feed-through

N/S



3-JAW CONCENTRIC GRIPPERS

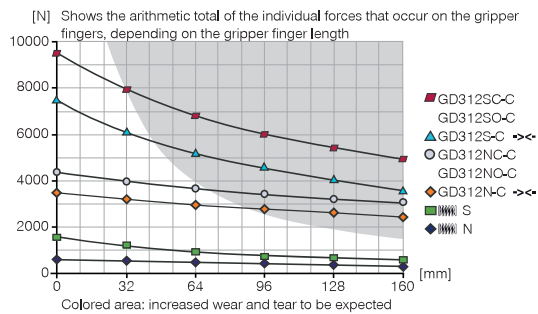
INSTALLATION SIZE GD312

1 Installation size GD312 / 3-Jaw Concentric Grippers / pneumatic / Grippers

▶ PRODUCT SPECIFICATIONS

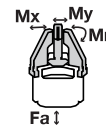


▶ Gripping force diagram



▶ Forces and moments

Displays static forces and moments that can also have an effect, besides the gripping force.



Mr [Nm]	100
Mx [Nm]	120
My [Nm]	120
Fa [N]	3200

▶ INCLUDED IN DELIVERY



Mounting block

KB8-32



Centering Disc

DST41000

▶ RECOMMENDED ACCESSORIES



Universal Jaw Aluminium

UB312



Universal Jaw Steel

UB312ST



Pressure piece N / S

ADS312N-S



Pressure piece NC / NO / SC / SO

ADS312C-O



Alternate proximity bracket

KHA312-B-8



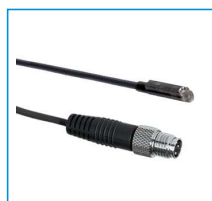
Inductive proximity switch - Connector M8

NJ8-E2S



Magnetic field sensor Angled Cable 0,3 m - Connector M8

MFS103SKHC



Magnetic field sensor Straight Cable 0,3 m - Connector M8

MFS204SKHC



Straight Fittings - Quick Connect Style

GV1-8X6

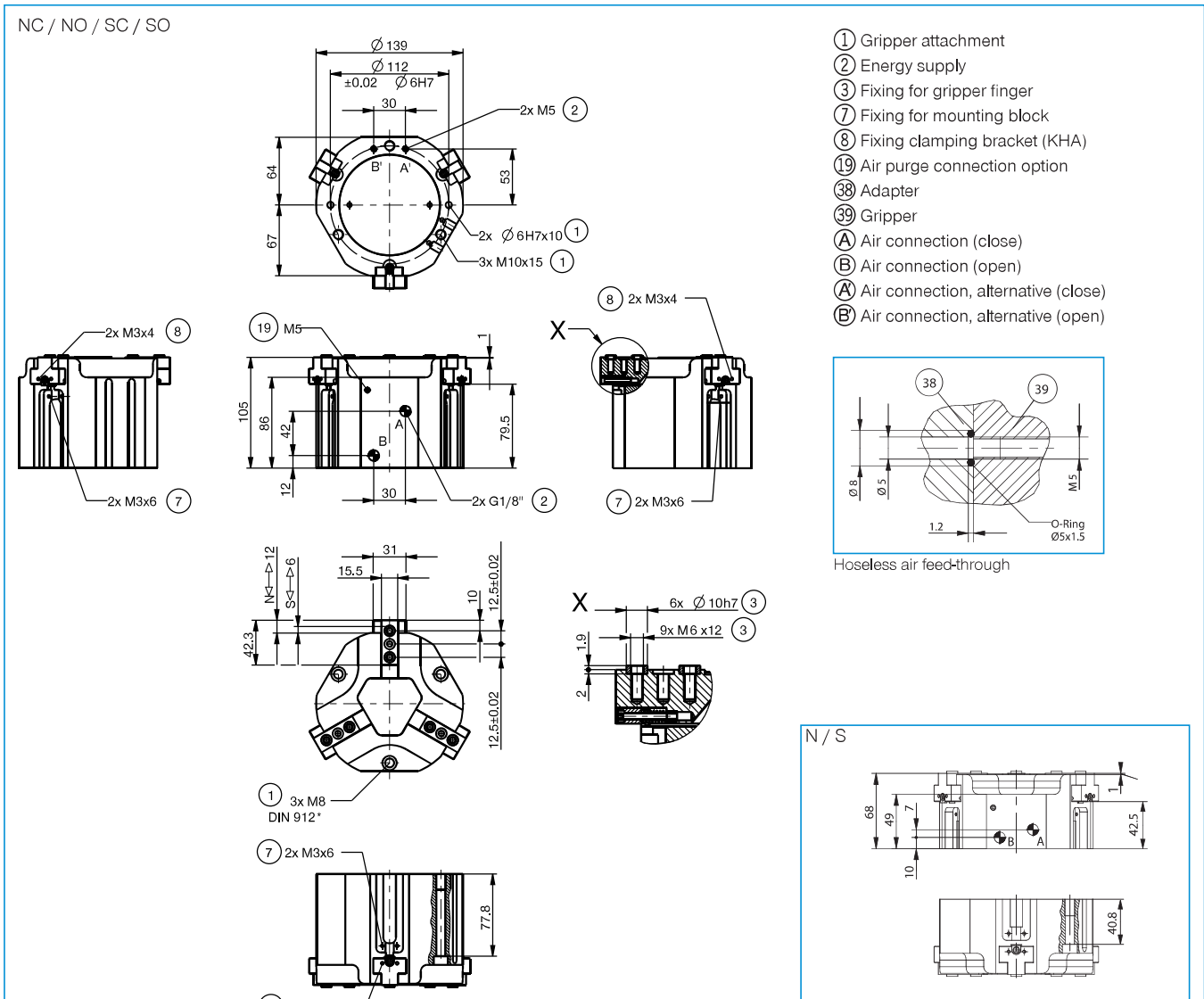


Pressure Safety Valve

DSV1-8

Order no.	Technical Data*					
	GD312N-C	GD312NC-C	GD312NO-C	GD312S-C	GD312SC-C	GD312SO-C
Stroke per jaw [mm]	12	12	12	6	6	6
Gripping force in closing [N]	3500	4150		7600	9000	
Gripping force in opening [N]	3600		4250	7850		9250
Gripping force secured by spring min. [N]		650	650		1400	1400
Closing time [s]	0.2	0.15	0.35	0.2	0.15	0.35
Opening time [s]	0.2	0.35	0.15	0.2	0.35	0.15
Repetition accuracy +/- [mm]	0.05	0.05	0.05	0.05	0.05	0.05
Operating pressure min. [bar]	2	4	4	2	4	4
Operating pressure max. [bar]	8	8	8	8	8	8
Operating temperature min. [°C]	5	5	5	5	5	5
Operating temperature max. [°C]	+80	+80	+80	+80	+80	+80
Air volume per cycle [cm³]	190	420	420	190	420	420
Weight [kg]	2.7	3.8	3.8	2.7	3.8	3.8

*All data measured at 6 bar



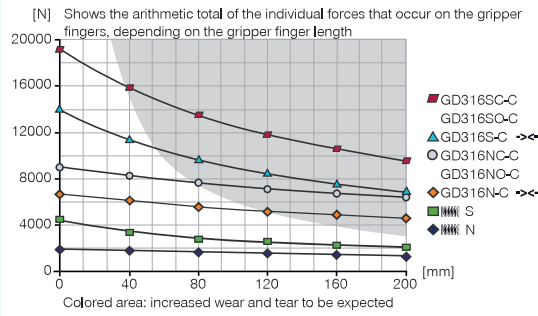
3-JAW CONCENTRIC GRIPPERS

INSTALLATION SIZE GD316

▶ PRODUCT SPECIFICATIONS

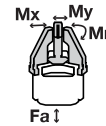


▶ Gripping force diagram



▶ Forces and moments

Displays static forces and moments that can also have an effect, besides the gripping force.



Mr [Nm]	140
Mx [Nm]	160
My [Nm]	180
Fa [N]	5000

▶ INCLUDED IN DELIVERY



Mounting block

KB8-33



Centering Disc

DST41600

▶ RECOMMENDED ACCESSORIES



Universal Jaw Aluminium

UB316



Universal Jaw Steel

UB316ST



Pressure piece N / S

ADS316N-S



Pressure piece NC / NO / SC / SO

ADS316C-O



Alternate proximity bracket

KHA316-B-8



Inductive proximity switch - Connector M8

NJ8-E2S



Magnetic field sensor Angled Cable 0,3 m - Connector M8

MFS103SKHC



Magnetic field sensor Straight Cable 0,3 m - Connector M8

MFS204SKHC



Straight Fittings - Quick Connect Style

GV1-8X6



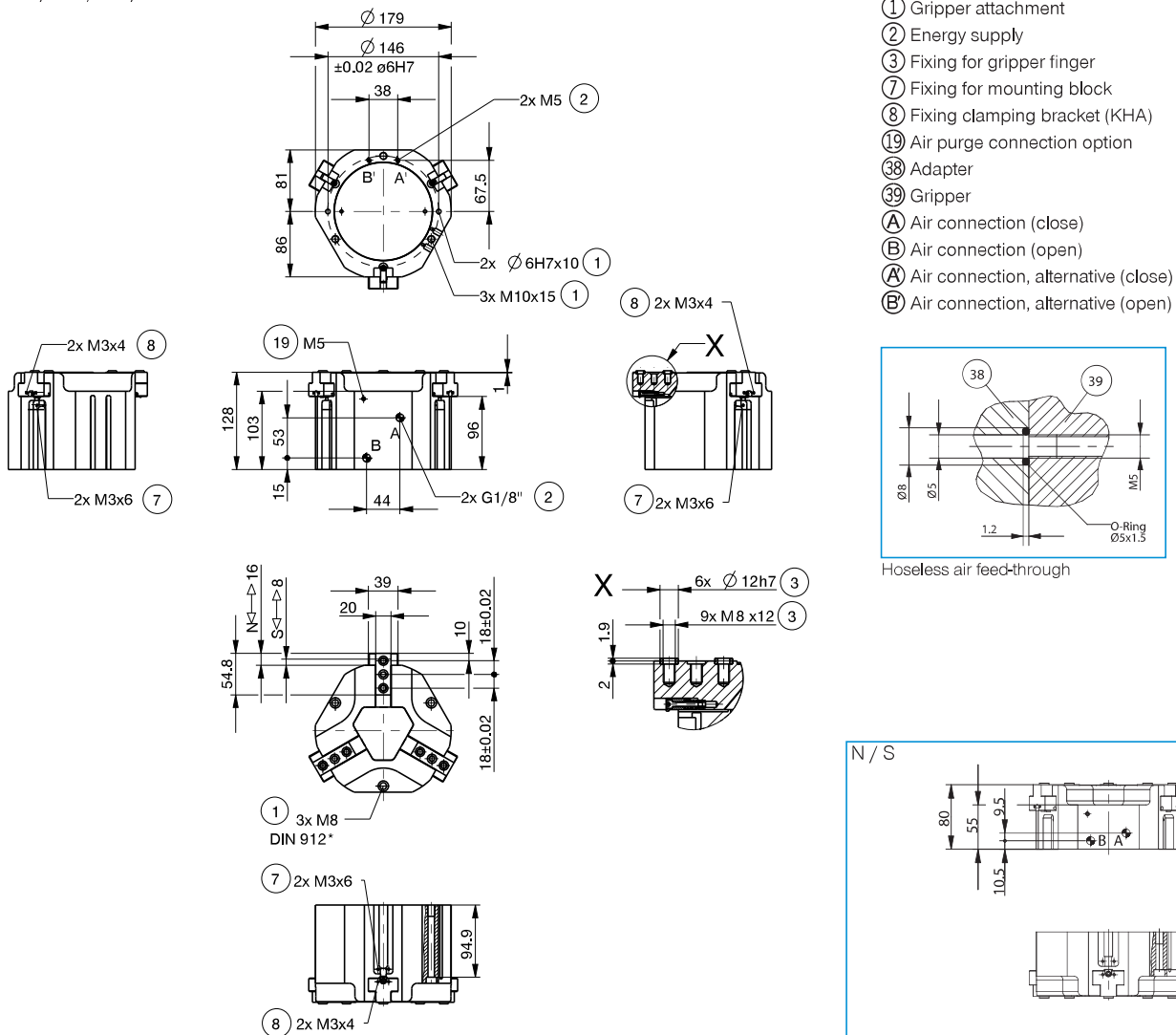
Pressure Safety Valve

DSV1-8

Order no.	Technical Data*					
	GD316N-C	GD316NC-C	GD316NO-C	GD316S-C	GD316SC-C	GD316SO-C
Stroke per jaw [mm]	16	16	16	8	8	8
Gripping force in closing [N]	6500	8600		14000	18700	
Gripping force in opening [N]	6600		8700	14400		19100
Gripping force secured by spring min. [N]		2100	2100		4700	4700
Closing time [s]	0.25	0.2	0.4	0.25	0.2	0.4
Opening time [s]	0.25	0.4	0.2	0.25	0.4	0.2
Repetition accuracy +/- [mm]	0.05	0.05	0.05	0.05	0.05	0.05
Operating pressure min. [bar]	2	4	4	2	4	4
Operating pressure max. [bar]	8	8	8	8	8	8
Operating temperature min. [°C]	5	5	5	5	5	5
Operating temperature max. [°C]	+80	+80	+80	+80	+80	+80
Air volume per cycle [cm³]	470	960	960	470	960	960
Weight [kg]	5.1	8	8	5.1	8	8

*All data measured at 6 bar

NC / NO / SC / SO



3-JAW CONCENTRIC GRIPPERS

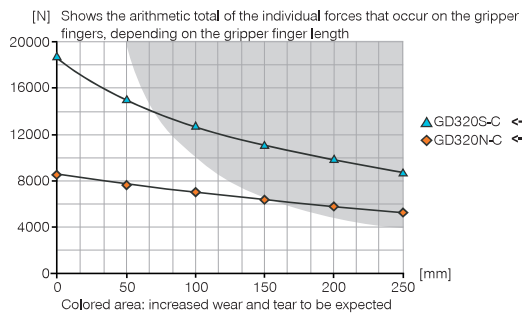
INSTALLATION SIZE GD320

1
Installation size GD320 / 3-Jaw Concentric Grippers / pneumatic / Grippers

▶ PRODUCT SPECIFICATIONS

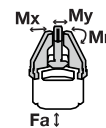


▶ Gripping force diagram



▶ Forces and moments

Displays static forces and moments that can also have an effect, besides the gripping force.



Mr [Nm]	170
Mx [Nm]	180
My [Nm]	220
Fa [N]	7000

▶ INCLUDED IN DELIVERY



Mounting block

KB8-34



Centering Disc

DST42000

▶ RECOMMENDED ACCESSORIES



Universal Jaw Aluminium

UB320



Universal Jaw Steel

UB320ST



Pressure piece N / S

ADS320N-S



Pressure piece NC / NO / SC / SO

ADS320C-O



Alternate proximity bracket

KHA320-B-8



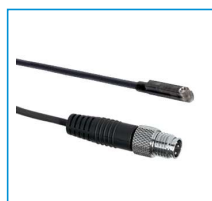
Inductive proximity switch - Connector M8

NJ8-E2S



Magnetic field sensor Angled Cable 0,3 m - Connector M8

MFS103SKHC



Magnetic field sensor Straight Cable 0,3 m - Connector M8

MFS204SKHC



Straight Fittings - Quick Connect Style

GV1-4X8



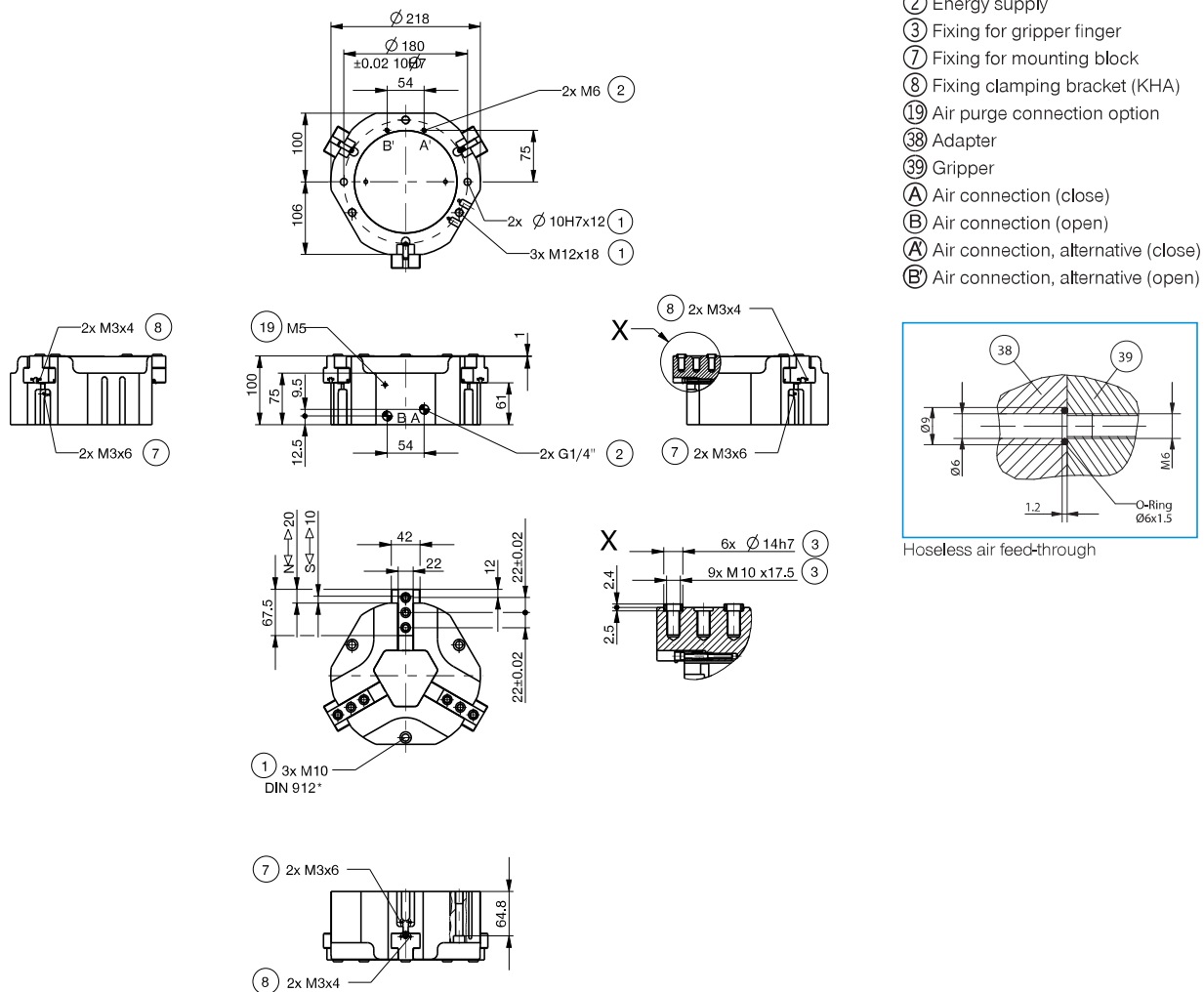
Pressure Safety Valve

DSV1-8

Order no.	Technical Data*	
	GD320N-C	GD320S-C
Stroke per jaw [mm]	20	10
Gripping force in closing [N]	8200	18150
Gripping force in opening [N]	8450	18700
Gripping force secured by spring min. [N]		
Closing time [s]	0,35	0,35
Opening time [s]	0,35	0,35
Repetition accuracy +/- [mm]	0,05	0,05
Operating pressure min. [bar]	2	2
Operating pressure max. [bar]	8	8
Operating temperature min. [°C]	5	5
Operating temperature max. [°C]	+80	+80
Air volume per cycle [cm³]	825	825
Weight [kg]	9,6	9,6

*All data measured at 6 bar

N / S



Hoseless air feedthrough

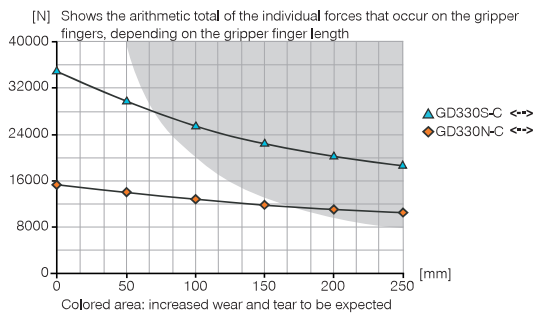
3-JAW CONCENTRIC GRIPPERS

INSTALLATION SIZE GD330

▶ PRODUCT SPECIFICATIONS

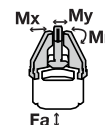


▶ Gripping force diagram



▶ Forces and moments

Displays static forces and moments that can also have an effect, besides the gripping force.



Mr [Nm]	200
Mx [Nm]	275
My [Nm]	300
Fa [N]	9000

▶ INCLUDED IN DELIVERY



Mounting block

KB8-34



Centering Disc

DST43000

▶ RECOMMENDED ACCESSORIES



Universal Jaw Aluminium

UB330



Universal Jaw Steel

UB330ST



Alternate proximity bracket

KHA330-B-8



Inductive proximity switch - Connector M8

NJ8-E2S



Magnetic field sensor Angled Cable 0,3 m - Connector M8

MFS103SKHC



Magnetic field sensor Straight Cable 0,3 m - Connector M8

MFS204SKHC



Plug-in connector Straight Cable 5m - Socket M8 (female)

KAG500



Straight Fittings - Quick Connect Style

GV1-4X8



Angled Fittings - Quick Connect Style

WV1-4X8



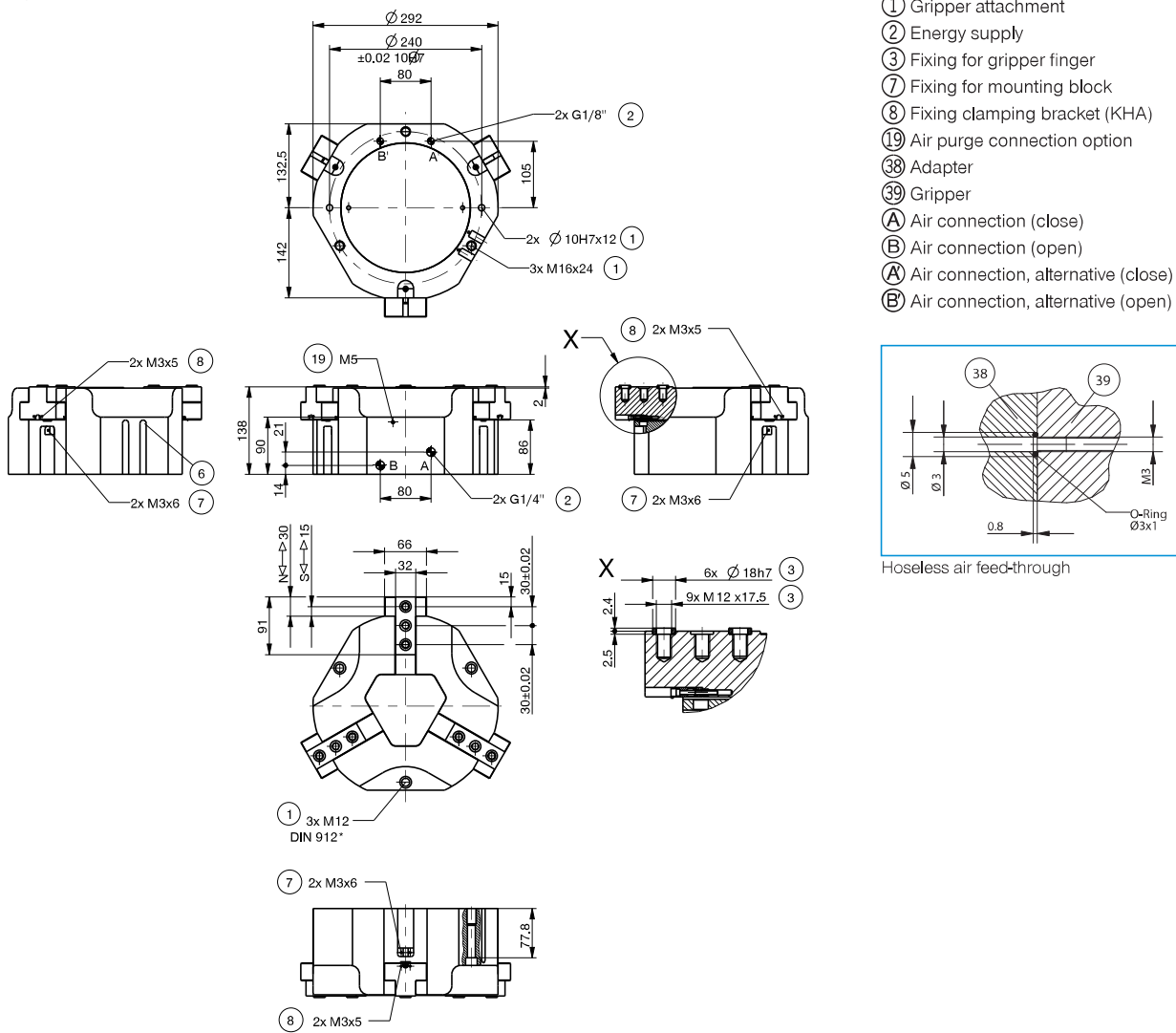
Pressure Safety Valve

DSV1-8

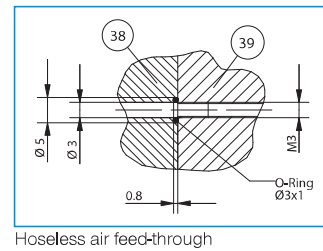
Order no.	Technical Data*	
	GD330N-C	GD330S-C
Stroke per jaw [mm]	30	15
Gripping force in closing [N]	15300	34150
Gripping force in opening [N]	15550	34700
Gripping force secured by spring min. [N]		
Closing time [s]	0.8	0.8
Opening time [s]	0.8	0.8
Repetition accuracy +/- [mm]	0.05	0.05
Operating pressure min. [bar]	2	2
Operating pressure max. [bar]	8	8
Operating temperature min. [°C]	5	5
Operating temperature max. [°C]	+80	+80
Air volume per cycle [cm³]	2270	2270
Weight [kg]	24	24

*All data measured at 6 bar

N / S



- ① Gripper attachment
- ② Energy supply
- ③ Fixing for gripper finger
- ⑦ Fixing for mounting block
- ⑧ Fixing clamping bracket (KHA)
- ⑱ Air purge connection option
- ⑳ Adapter
- ㉑ Gripper
- Ⓐ Air connection (close)
- Ⓑ Air connection (open)
- Ⓐ Air connection, alternative (close)
- Ⓑ Air connection, alternative (open)



3-JAW CONCENTRIC GRIPPERS

SERIES GPD5000

▶ PRODUCT ADVANTAGES



“The Universal One”

- ▶ Up to 30% more gripping force than the benchmark
- ▶ 10% more static forces and moments than the benchmark
- ▶ Gripper fingers up to 10% longer than the benchmark
- ▶ Gripper fingers weight up to 15% higher than the benchmark
- ▶ Sealed guide IP64 / Protector version IP67 (with purged air)
- ▶ Protected against corrosion
- ▶ Up to 30 million cycles without maintenance

▶ THE BEST PRODUCT FOR YOUR APPLICATION



▶ Our products love the challenge!

Extreme conditions, all over the world—our tried and tested components and systems give you limitless possibilities:

Find the best product for your specific use:

www.zimmer-group.com

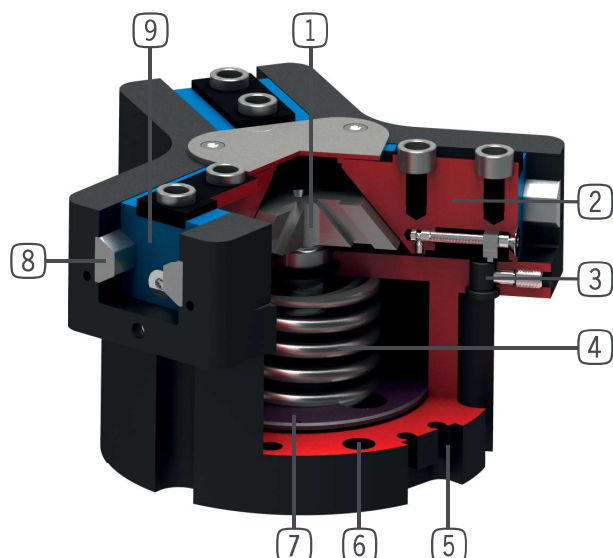
HOW TO ORDER CORRECTLY

- ▶ The product order numbers are arranged according to this diagram:

Order no.	GPD5010	<input type="checkbox"/>	<input type="checkbox"/>	<input type="checkbox"/>	-A
Basis version	N				
High force	S				
For external gripping, self-locking, spring closing			C		
For internal gripping, self-locking, spring opening			O		
temperature-resistant version to 130 °C				20	
Protector version IP67 for use in adverse environments (with purged air)				21	
temperature-resistant protector version IP67 for use in adverse environments (with purged air) to 130 °C				24	



► BENEFITS IN DETAIL



- 1 Wedge hook mechanism**
 - high forces and moments capacity
 - Synchronized gripper jaw movement
- 2 Gripper jaw**
 - Gripper fingers mounted using removable centring sleeves
 - Lubricated for life via incorporated lubrication slots
- 3 Mounting block**
 - mounting for inductive proximity switch
- 4 Integrated gripping force safety device**
 - Spring built into cylinder chamber as an energy store
- 5 Sensing slot**
 - mounting and positioning of magnetic field sensors
- 6 Mounting and positioning**
 - Alternatively, on several sides for customized mounting
 - Pneumatic and electrical versions identical apart from height
- 7 Drive**
 - Double-acting pneumatic rotor cylinder
- 8 Steel Linear Guide**
 - Steel in steel guide
 - Enables use of extremely long gripper fingers
- 9 Dual lip seal**
 - IP64 and up to IP67 (with purged air) for Protector version
 - Prevents grease from being squeezed out, increasing service life

► SERIES CHARACTERISTICS



Number of installation sizes	11
Stroke per jaw	2,5 mm - 45 mm
Gripping force	310 N - 72500 N
Weight	0,14 kg - 88 kg
AP class	5



30 million maintenance-free cycles (max.)



High-strength S



IP67



Temperature-resistant



Spring closing C



Inductive sensor



Corrosion resistance



Purged air



Spring opening O



IP64



Magnetic field sensor

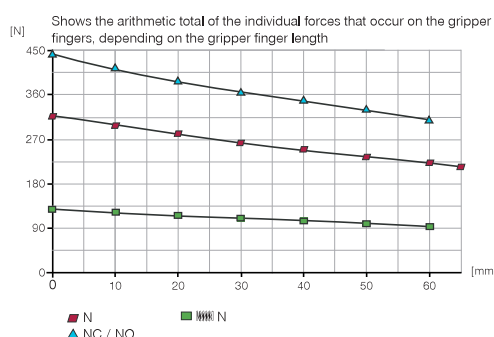
3-JAW CONCENTRIC GRIPPERS

INSTALLATION SIZE GPD5003

▶ PRODUCT SPECIFICATIONS



▶ Gripping force diagram



▶ Forces and moments

Displays static forces and moments that can also have an effect, besides the gripping force.



Mr [Nm]	7
Mx [Nm]	14
My [Nm]	13
Fa [N]	550

▶ TECHNICAL DATA

▶ Technical Data*

Order no.	GPD5003N-00-A	GPD5003NC-00-A	GPD5003NO-00-A
Stroke per jaw [mm]	2,5	2,5	2,5
Gripping force in closing [N]	310	440	
Gripping force in opening [N]	335		465
Gripping force secured by spring min. [N]		130	130
Closing time [s]	0,015	0,01	0,02
Opening time [s]	0,015	0,02	0,01
Permissible weight per jaw max [kg]	0,12	0,12	0,12
Length of the gripper fingers max. [mm]	65	60	60
Repetition accuracy +/- [mm]	0,01	0,01	0,01
Operating pressure min. [bar]	3	4	4
Operating pressure max. [bar]	8	7	7
Operating temperature [°C]	-10 ... +90	-10 ... +90	10 ... +90
Air volume per cycle [cm³]	4,2	9,5	9,5
Protection to IEC 60529	IP64	IP64	IP64
Weight [kg]	0,14	0,18	0,18

▶ Technical Data - High Temperature Version

Order no.	GPD5003N-20-A	GPD5003NC-20-A	GPD5003NO-20-A
Operating temperature [°C]	-10 ... +130	-10 ... +130	-10 ... +130

▶ Technical Data - Protector Version

Order no.	GPD5003N-21-A	GPD5003NC-21-A	GPD5003NO-21-A
Protection to IEC 60529	IP67**	IP67**	IP67**
Weight [kg]	0,18	0,22	0,22

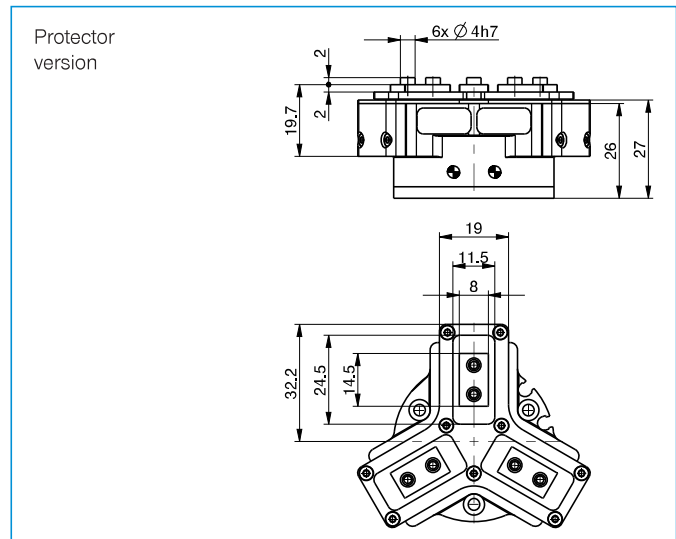
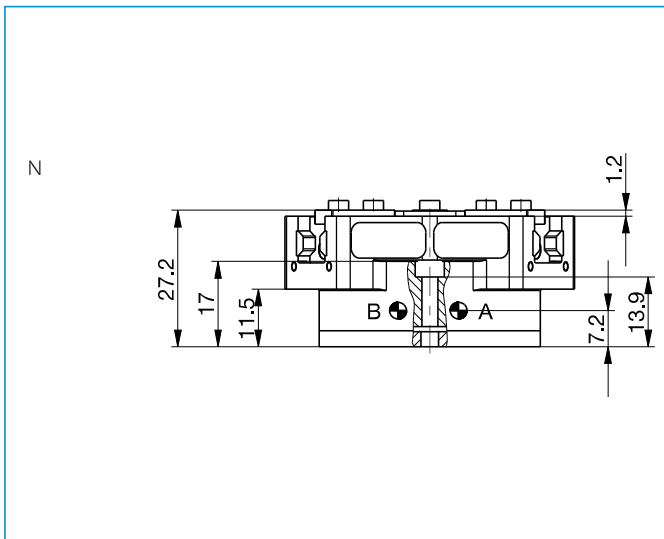
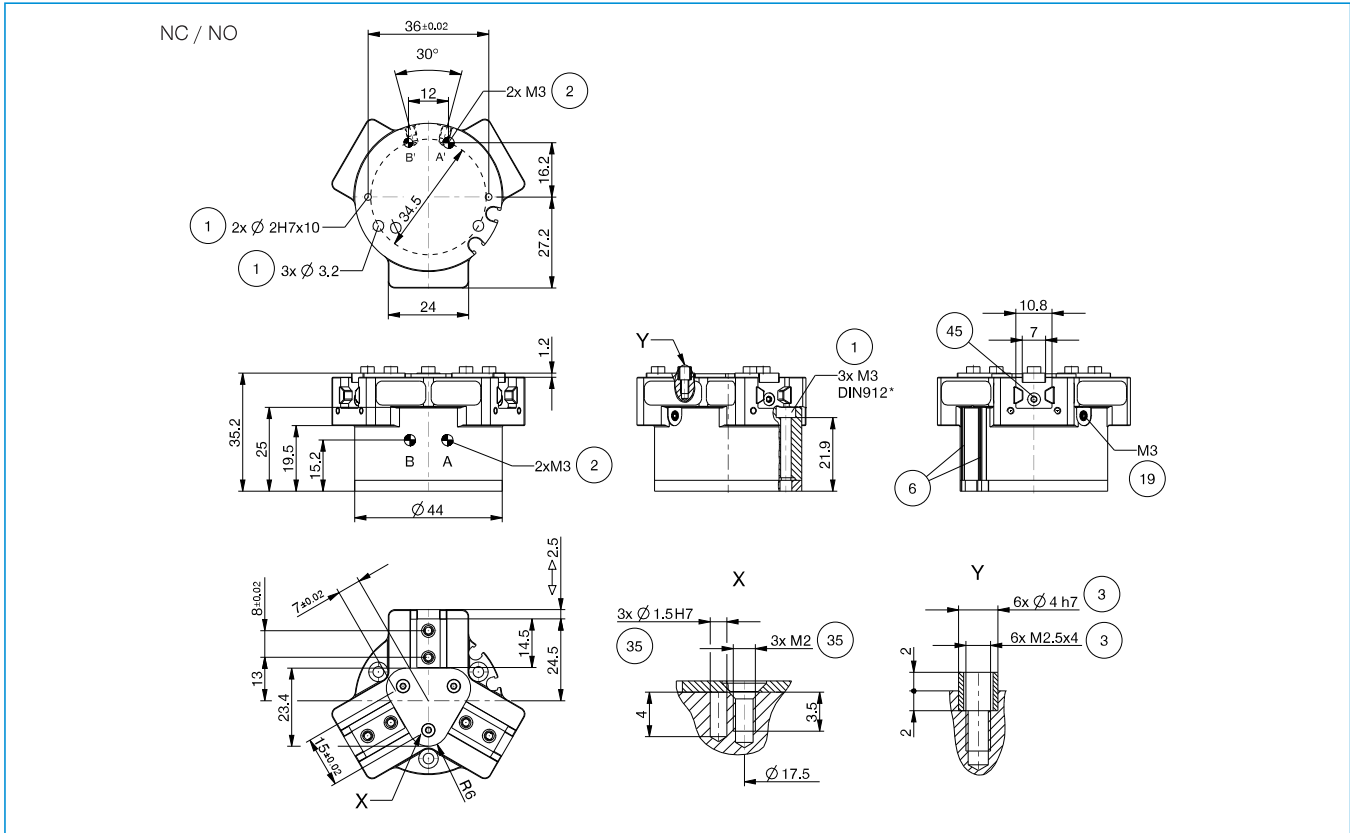
▶ Technical Data - High Temperature Protector Version

Order no.	GPD5003N-24-A	GPD5003NC-24-A	GPD5003NO-24-A
Operating temperature [°C]	-10 ... +130	-10 ... +130	-10 ... +130
Protection to IEC 60529	IP67**	IP67**	IP67**
Weight [kg]	0,18	0,22	0,22

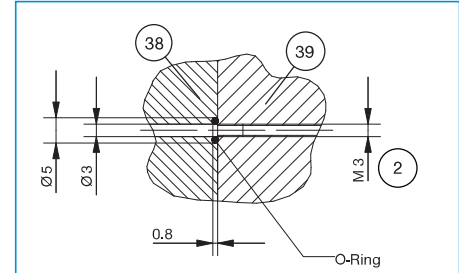
* All data measured at 6 bar

** with purged air (max. 0,5 bar)

TECHNICAL DRAWINGS

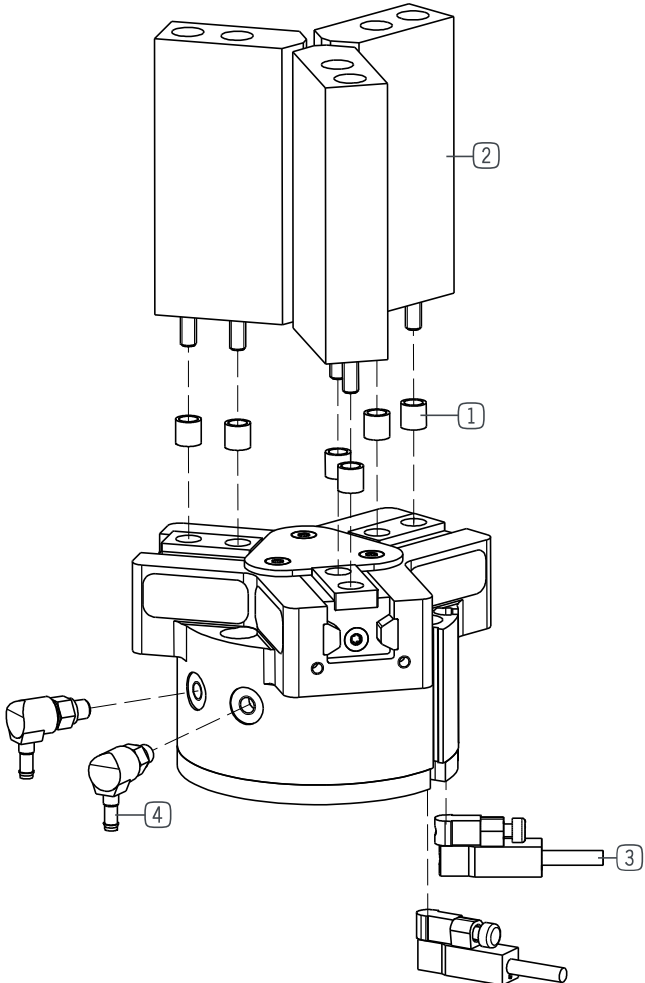


- ① Gripper attachment
- ② Energy supply
- ③ Fixing for gripper finger
- ⑥ Integrated slot for magnetic field sensor
- ⑱ Air purge connection option
- ⑳ Attachment option for customer-specific fittings
- ㉔ Adapter
- ㉔ Gripper
- ④⑤ Switch cam adjustment
- Ⓐ Air connection (close)
- Ⓑ Air connection (open)
- Ⓐ Air connection, alternative (close)
- Ⓑ Air connection, alternative (open)



3-JAW CONCENTRIC GRIPPERS

INSTALLATION SIZE GPD5003



► INCLUDED IN DELIVERY



Centering Disc

DST06510

► RECOMMENDED ACCESSORIES



Universal jaw aluminium

UB5003AL



Universal jaw steel

UB5003ST



Rubber Coated Tape Knobbed

KF50N



Aluminum adjustment jaw

EB5003AL



Steel adjustment jaw

EB5003ST



Pressure piece N / S

ADS5003-01



Pressure piece NC / NO / SC / SO

ADS5003-02



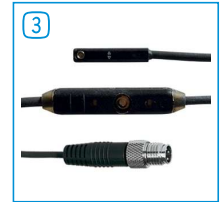
Magnetic field sensor Angled Cable 0,3 m - Connector M8

MFS103SKHC



Magnetic field sensor Straight Cable 0,3 m - Connector M8

MFS204SKHC



2-Position-Sensor Cable 0,3 m - Connector M8

MFSP2SKHC-02



Plug-in connector Straight Cable 5m - Socket M8 (female)

KAG500



Plug-in connector customizable Straight - Connector M12

S12-G-3



Straight Fittings - Barb Style Connection

GVM3



Angled Fittings - Barb Style Connection

WVM3

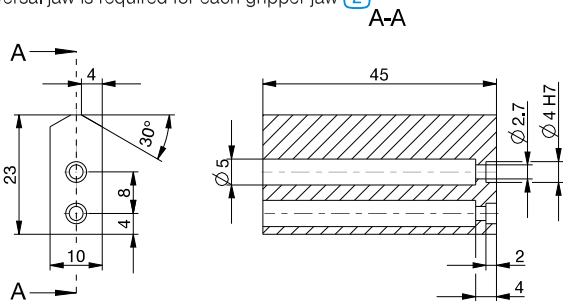


Pressure Safety Valve

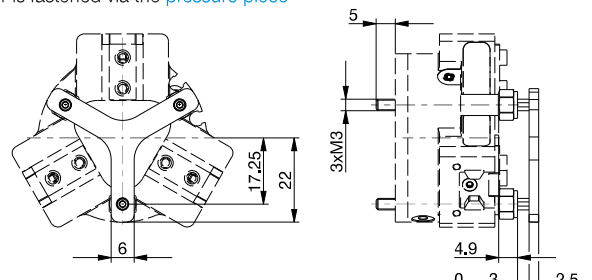
DSV1-8

► TECHNICAL DRAWINGS ACCESSORIES

One universal jaw is required for each gripper jaw ²



Gripper is fastened via the pressure piece



3-JAW CONCENTRIC GRIPPERS

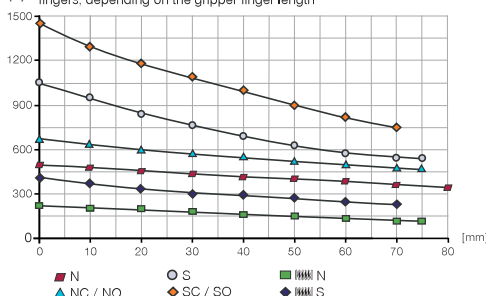
INSTALLATION SIZE GPD5004

PRODUCT SPECIFICATIONS



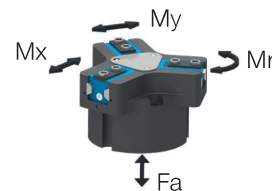
Gripping force diagram

Shows the arithmetic total of the individual forces that occur on the gripper fingers, depending on the gripper finger length



Forces and moments

Displays static forces and moments that can also have an effect, besides the gripping force.



Mr [Nm]	14
Mx [Nm]	29
My [Nm]	23
Fa [N]	750

TECHNICAL DATA

Technical Data*

Order no.	GPD5004N-00-A	GPD5004NC-00-A	GPD5004NO-00-A	GPD5004S-00-A	GPD5004SC-00-A	GPD5004SO-00-A
Stroke per jaw [mm]	4	4	4	2	2	2
Gripping force in closing [N]	460	650		1010	1430	
Gripping force in opening [N]	500		690	1100		1520
Gripping force secured by spring min. [N]		190	190		420	420
Closing time [s]	0,025	0,018	0,028	0,025	0,018	0,028
Opening time [s]	0,025	0,028	0,018	0,025	0,028	0,018
Permissible weight per jaw max [kg]	0,2	0,2	0,2	0,2	0,2	0,2
Length of the gripper fingers max. [mm]	80	75	75	75	70	70
Repetition accuracy +/- [mm]	0,01	0,01	0,01	0,01	0,01	0,01
Operating pressure min. [bar]	3	4	4	3	4	4
Operating pressure max. [bar]	8	7	7	8	7	7
Operating temperature [°C]	-10 ... +90	-10 ... +90	-10 ... +90	-10 ... +90	-10 ... +90	-10 ... +90
Air volume per cycle [cm³]	11	21	21	11	21	21
Protection to IEC 60529	IP64	IP64	IP64	IP64	IP64	IP64
Weight [kg]	0,27	0,33	0,33	0,27	0,33	0,33

Technical Data - High Temperature Version

Order no.	GPD5004N-20-A	GPD5004NC-20-A	GPD5004NO-20-A	GPD5004S-20-A	GPD5004SC-20-A	GPD5004SO-20-A
Operating temperature [°C]	-10 ... +130	-10 ... +130	-10 ... +130	-10 ... +130	-10 ... +130	-10 ... +130

Technical Data - Protector Version

Order no.	GPD5004N-21-A	GPD5004NC-21-A	GPD5004NO-21-A	GPD5004S-21-A	GPD5004SC-21-A	GPD5004SO-21-A
Protection to IEC 60529	IP67**	IP67**	IP67**	IP67**	IP67**	IP67**
Weight [kg]	0,35	0,41	0,41	0,35	0,41	0,41

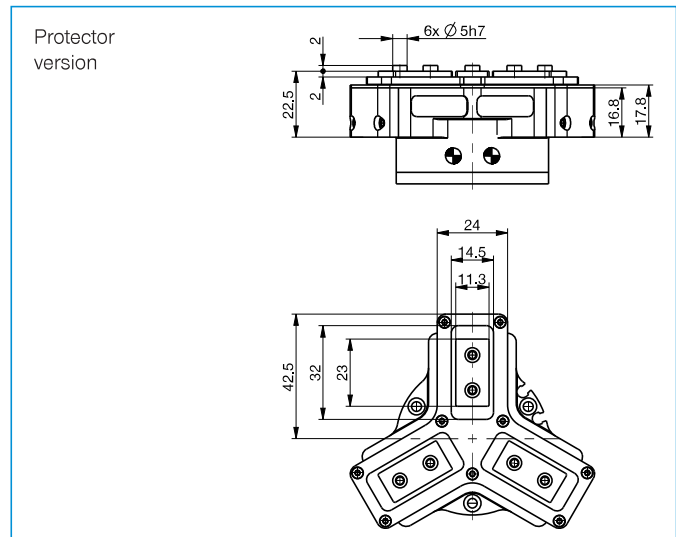
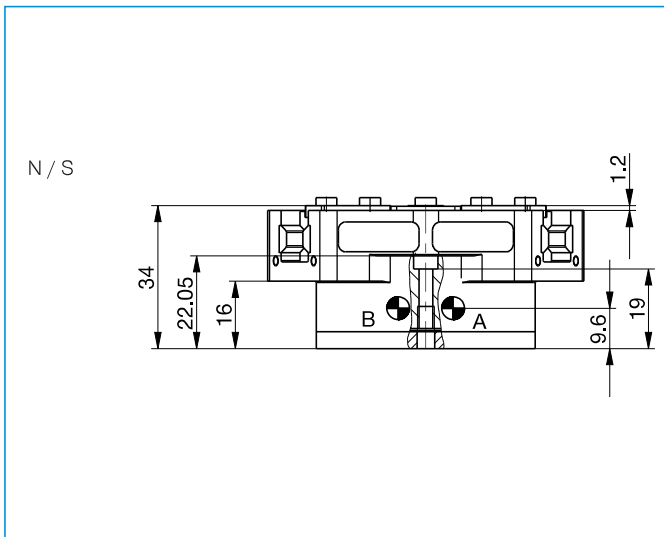
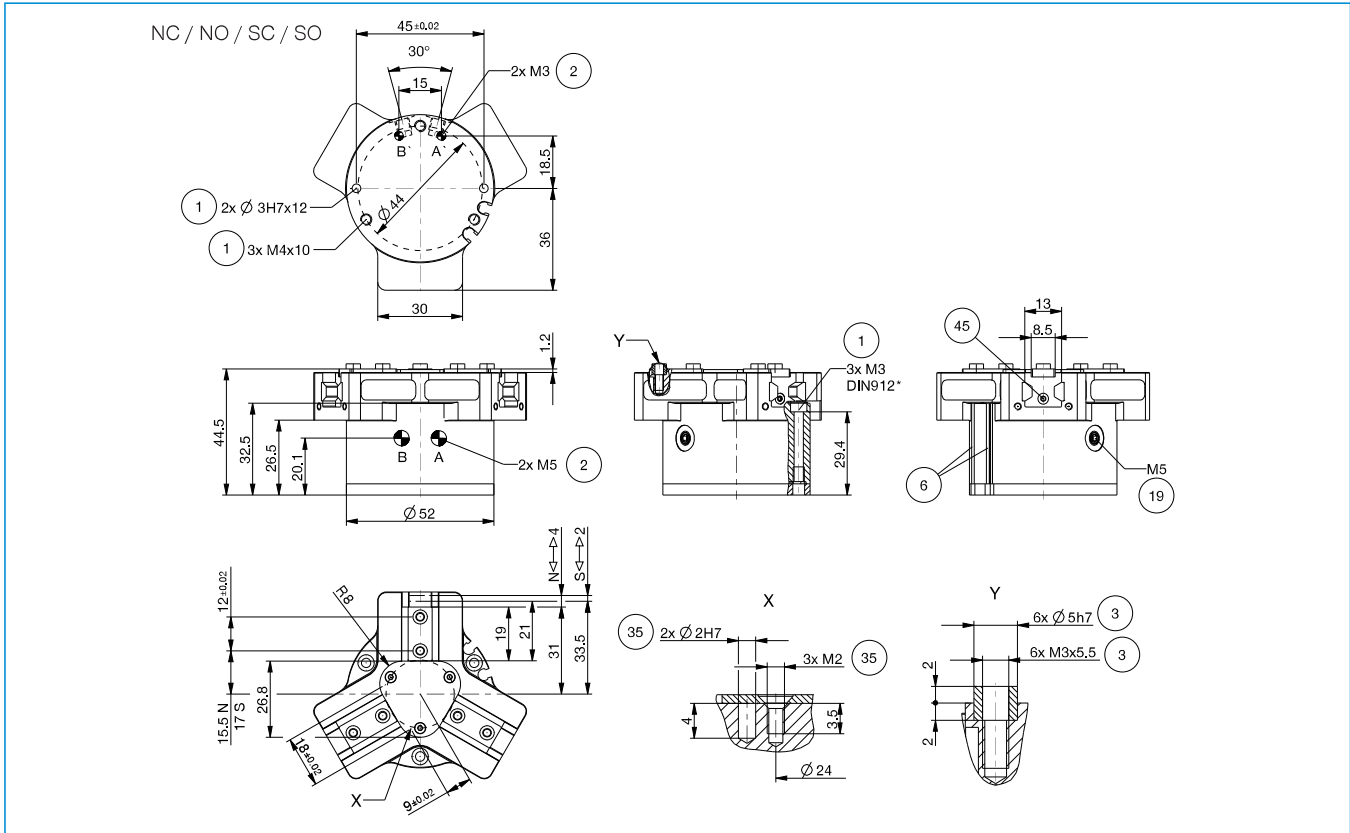
Technical Data - High Temperature Protector Version

Order no.	GPD5004N-24-A	GPD5004NC-24-A	GPD5004NO-24-A	GPD5004S-24-A	GPD5004SC-24-A	GPD5004SO-24-A
Operating temperature [°C]	-10 ... +130	-10 ... +130	-10 ... +130	-10 ... +130	-10 ... +130	-10 ... +130
Protection to IEC 60529	IP67**	IP67**	IP67**	IP67**	IP67**	IP67**
Weight [kg]	0,35	0,41	0,41	0,35	0,41	0,41

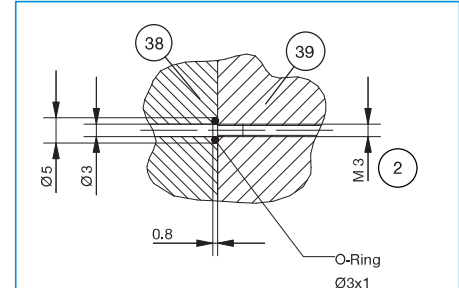
*All data measured at 6 bar

** with purged air (max. 0,5 bar)

TECHNICAL DRAWINGS



- ① Gripper attachment
- ② Energy supply
- ③ Fixing for gripper finger
- ⑥ Integrated slot for magnetic field sensor
- ⑱ Air purge connection option
- ⑳ Attachment option for customer-specific fittings
- ㉔ Adapter
- ㉔ Gripper
- ④⑤ Switch cam adjustment
- Ⓐ Air connection (close)
- Ⓑ Air connection (open)
- Ⓐ Air connection, alternative (close)
- Ⓑ Air connection, alternative (open)

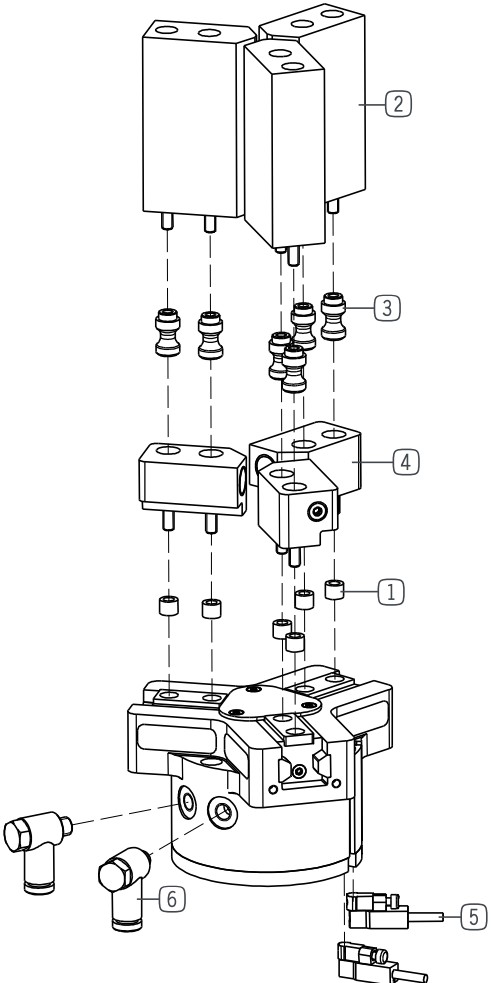


3-JAW CONCENTRIC GRIPPERS

INSTALLATION SIZE GPD5004

1

Installation size GPD5004 / 3-Jaw Concentric Grippers / pneumatic / Grippers



▶ INCLUDED IN DELIVERY



Centering Disc

015761

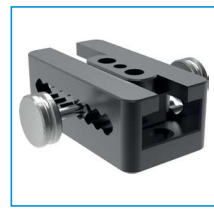
▶ RECOMMENDED ACCESSORIES



Universal jaw aluminium
UB5004AL



Universal jaw steel
UB5004ST



Aluminum adjustment jaw
EB5004AL



Steel adjustment jaw
EB5004ST



Pressure piece N / S
ADS5004-01



Pressure piece NC / NO / SC / SO
ADS5004-02



Changeable jaw, loose-part-set
WB5004L



Changeable jaw, fix-part
WB5004F



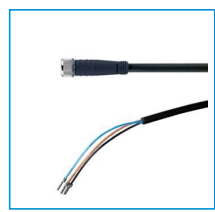
Magnetic field sensor Angled Cable 0,3 m - Connector M8
MFS103SKHC



Magnetic field sensor Straight Cable 0,3 m - Connector M8
MFS204SKHC



2-Position-Sensor Cable 0,3 m - Connector M8
MFSP2SKHC-02



Plug-in connector Straight Cable 5m - Socket M8 (female)
KAG500



Straight Fittings - Quick Connect Style
GVM5

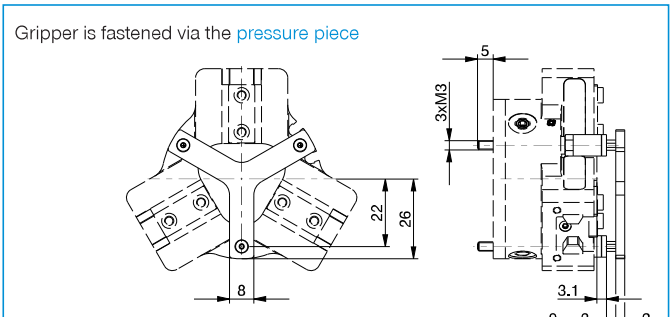
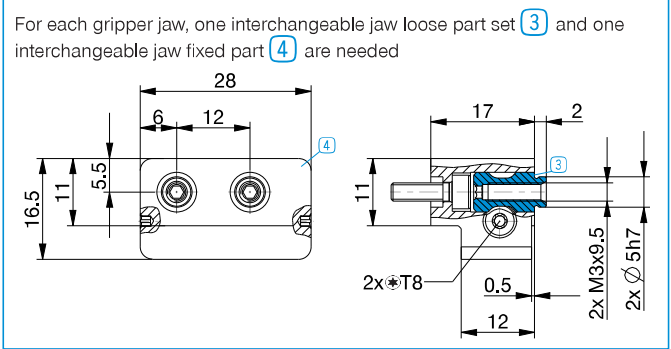
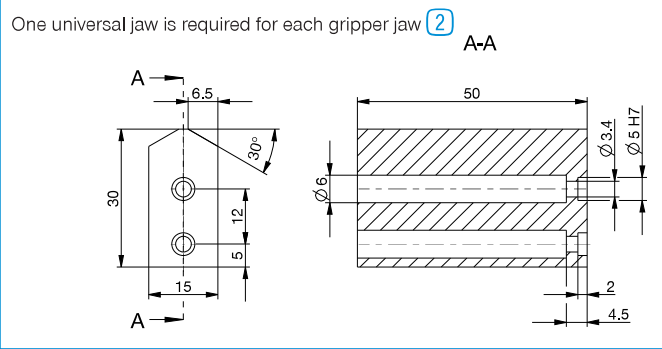


Angled Fittings - Quick Connect Style
WVM5



Pressure Safety Valve
DSV1-8

▶ TECHNICAL DRAWINGS ACCESSORIES



3-JAW CONCENTRIC GRIPPERS

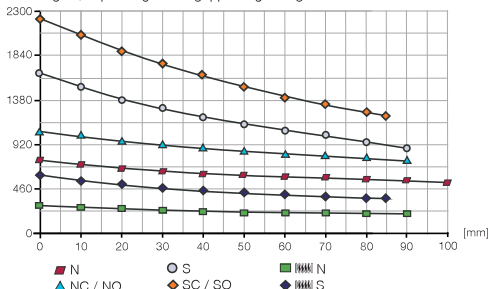
INSTALLATION SIZE GPD5006

PRODUCT SPECIFICATIONS



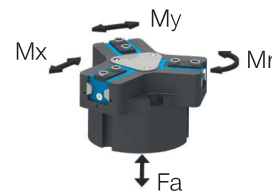
Gripping force diagram

Shows the arithmetic total of the individual forces that occur on the gripper fingers, depending on the gripper finger length



Forces and moments

Displays static forces and moments that can also have an effect, besides the gripping force.



Mr [Nm]	43
Mx [Nm]	70
My [Nm]	46
Fa [N]	1250

TECHNICAL DATA

Technical Data*

Order no.	GPD5006N-00-A	GPD5006NC-00-A	GPD5006NO-00-A	GPD5006S-00-A	GPD5006SC-00-A	GPD5006SO-00-A
Stroke per jaw [mm]	6	6	6	3	3	3
Gripping force in closing [N]	740	1020		1620	2240	
Gripping force in opening [N]	800		1080	1750		2370
Gripping force secured by spring min. [N]		280	280		620	620
Closing time [s]	0.028	0.018	0.038	0.028	0.018	0.038
Opening time [s]	0.028	0.038	0.018	0.028	0.038	0.018
Permissible weight per jaw max [kg]	0.4	0.4	0.4	0.4	0.4	0.4
Length of the gripper fingers max. [mm]	100	90	90	90	85	85
Repetition accuracy +/- [mm]	0.01	0.01	0.01	0.01	0.01	0.01
Operating pressure min. [bar]	3	4	4	3	4	4
Operating pressure max. [bar]	8	7	7	8	7	7
Operating temperature [°C]	-10 ... +90	-10 ... +90	-10 ... +90	-10 ... +90	-10 ... +90	-10 ... +90
Air volume per cycle [cm³]	22	43	43	22	43	43
Protection to IEC 60529	IP64	IP64	IP64	IP64	IP64	IP64
Weight [kg]	0.48	0.58	0.58	0.48	0.58	0.58

Technical Data - High Temperature Version

Order no.	GPD5006N-20-A	GPD5006NC-20-A	GPD5006NO-20-A	GPD5006S-20-A	GPD5006SC-20-A	GPD5006SO-20-A
Operating temperature [°C]	-10 ... +130	-10 ... +130	-10 ... +130	-10 ... +130	-10 ... +130	-10 ... +130

Technical Data - Protector Version

Order no.	GPD5006N-21-A	GPD5006NC-21-A	GPD5006NO-21-A	GPD5006S-21-A	GPD5006SC-21-A	GPD5006SO-21-A
Protection to IEC 60529	IP67**	IP67**	IP67**	IP67**	IP67**	IP67**
Weight [kg]	0.61	0.71	0.71	0.61	0.71	0.71

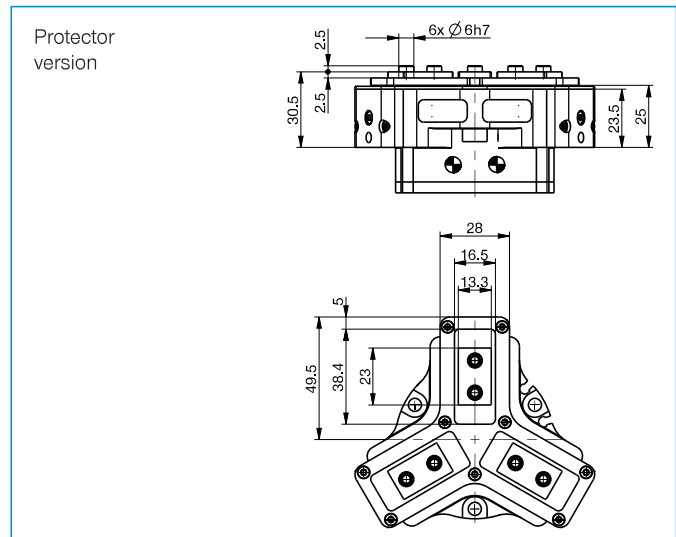
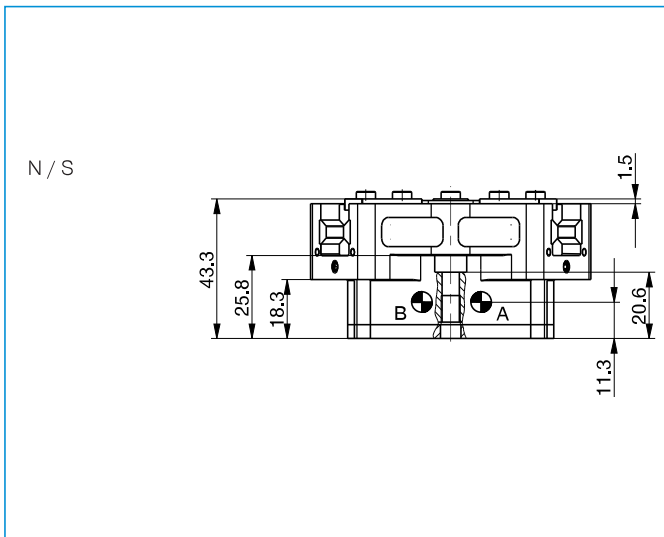
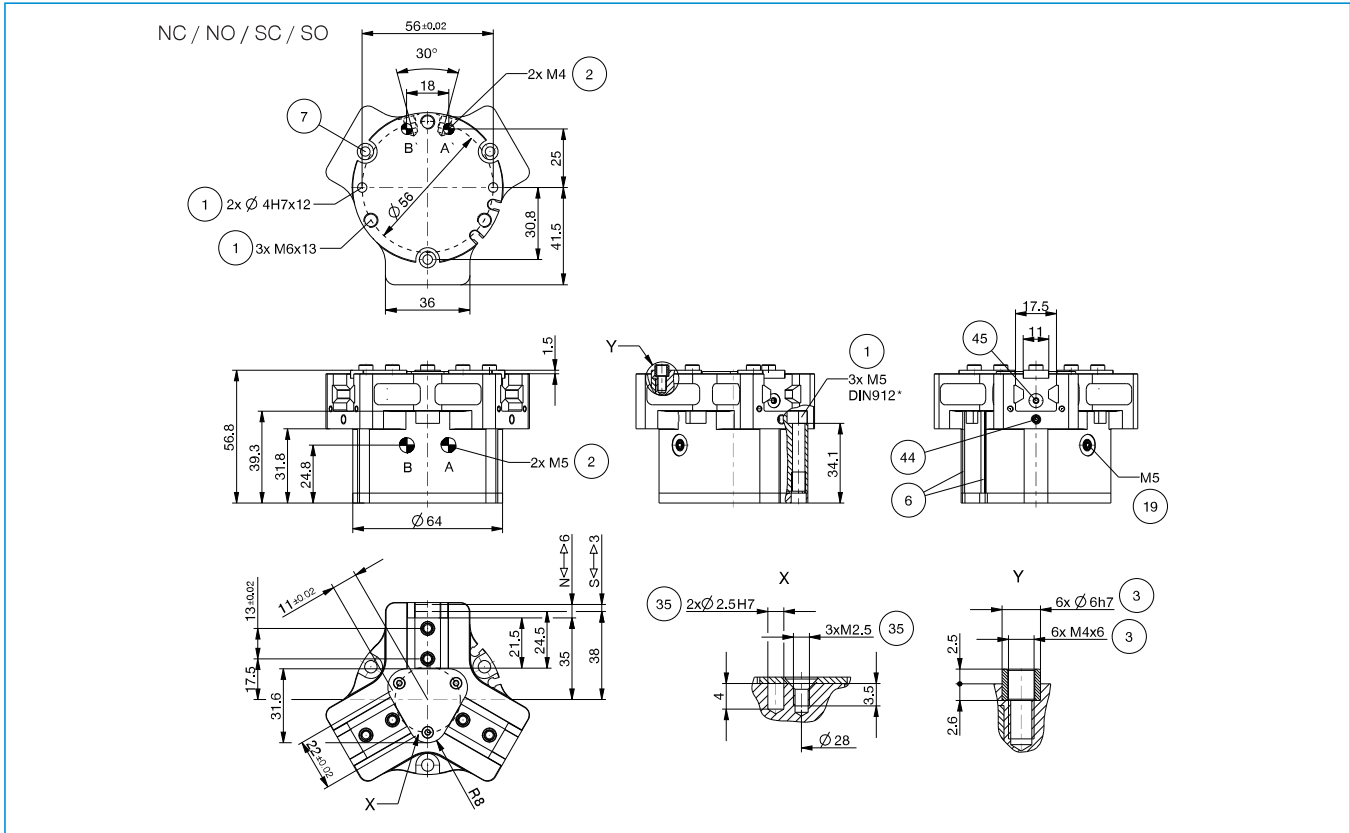
Technical Data - High Temperature Protector Version

Order no.	GPD5006N-24-A	GPD5006NC-24-A	GPD5006NO-24-A	GPD5006S-24-A	GPD5006SC-24-A	GPD5006SO-24-A
Operating temperature [°C]	-10 ... +130	-10 ... +130	-10 ... +130	-10 ... +130	-10 ... +130	-10 ... +130
Protection to IEC 60529	IP67**	IP67**	IP67**	IP67**	IP67**	IP67**
Weight [kg]	0.61	0.71	0.71	0.61	0.71	0.71

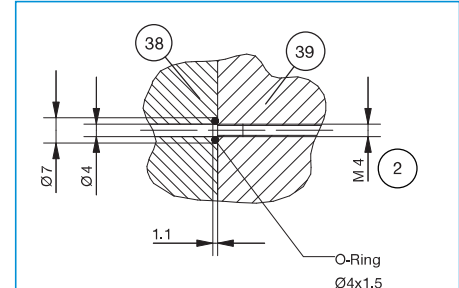
*All data measured at 6 bar

** with purged air (max. 0,5 bar)

TECHNICAL DRAWINGS



- | | |
|--|---------------------------------------|
| ① Gripper attachment | ③⑨ Gripper |
| ② Energy supply | ④④ Clamp for sensor |
| ③ Fixing for gripper finger | ④⑤ Switch cam adjustment |
| ⑥ Integrated slot for magnetic field sensor | Ⓐ Air connection (close) |
| ⑦ Mounting block | Ⓑ Air connection (open) |
| ⑱ Air purge connection option | Ⓐ Air connection, alternative (close) |
| ⑳ Attachment option for customer-specific fittings | Ⓑ Air connection, alternative (open) |
| ㉑ Adapter | |

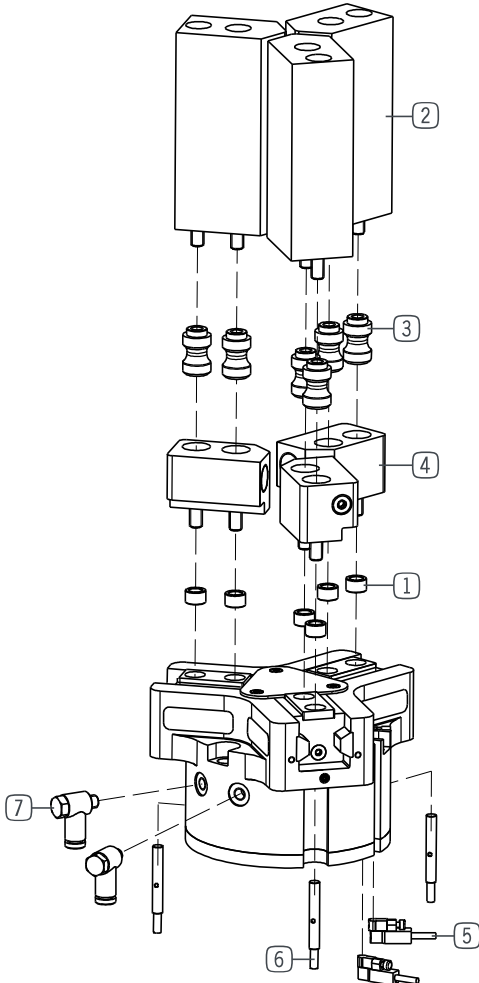


3-JAW CONCENTRIC GRIPPERS

INSTALLATION SIZE GPD5006

1

Installation size GPD5006 / 3-Jaw Concentric Grippers / pneumatic / Grippers



▶ INCLUDED IN DELIVERY



Centering Disc

024230

▶ RECOMMENDED ACCESSORIES



Universal jaw aluminium
UB5006AL



Universal jaw steel
UB5006ST



Aluminum adjustment jaw
EB5006AL



Steel adjustment jaw
EB5006ST



Changeable jaw, loose-part-set
WB5006L



Changeable jaw, fix-part
WB5006F



Pressure piece N / S
ADS5006-01



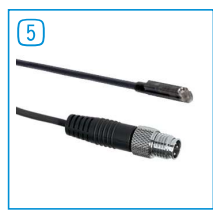
Pressure piece NC / NO / SC / SO
ADS5006-02



Inductive Proximity Switch Cable 0,3 m - Connector M8
NJ4-E2SK-01



Magnetic field sensor Angled Cable 0,3 m - Connector M8
MFS103SKHC



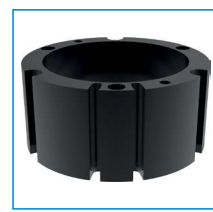
Magnetic field sensor Straight Cable 0,3 m - Connector M8
MFS204SKHC



2-Position-Sensor Cable 0,3 m - Connector M8
MFSP2SKHC-02



Angled Fittings - Quick Connect Style
WVM5



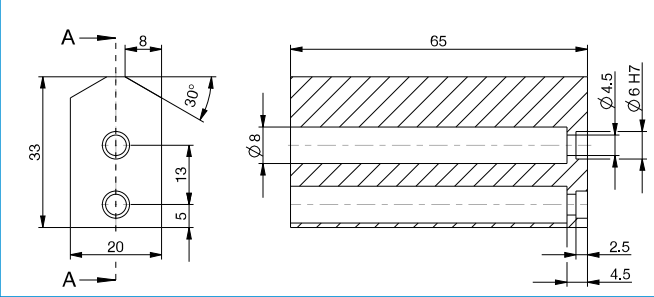
Compensation module N / S
ZUB5006DNS



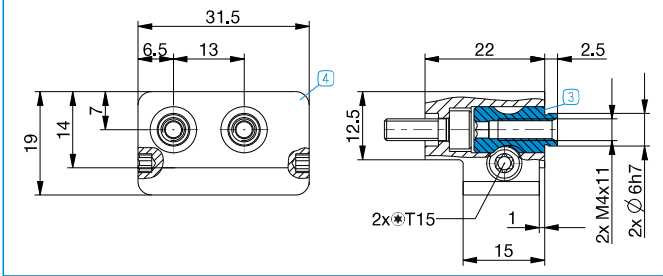
Compensation module NC / NO / SC / SO
ZUB5006DCO

▶ TECHNICAL DRAWINGS ACCESSORIES

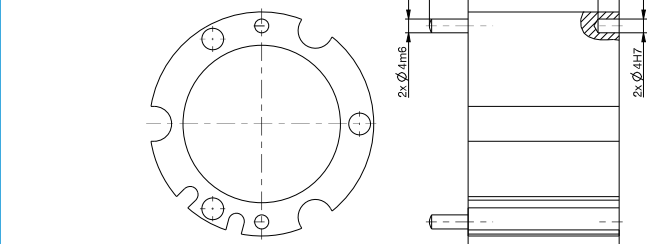
One universal jaw is required for each gripper jaw **2**



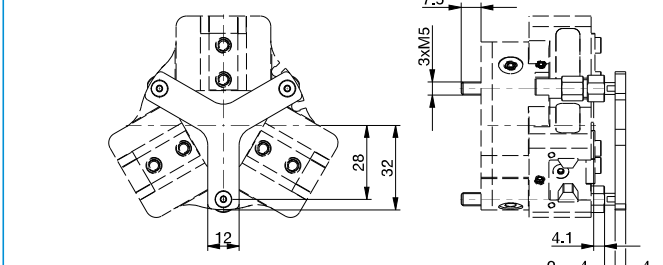
For each gripper jaw, one interchangeable jaw loose part set **3** and one interchangeable jaw fixed part **4** are needed



Compensation module for compensating for the height differences between the pneumatic and electric gripper version



Gripper is fastened via the pressure piece



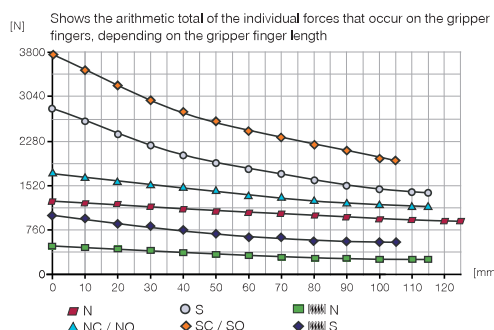
3-JAW CONCENTRIC GRIPPERS

INSTALLATION SIZE GPD5008

PRODUCT SPECIFICATIONS



Gripping force diagram



Forces and moments

Displays static forces and moments that can also have an effect, besides the gripping force.



Mr [Nm]	60
Mx [Nm]	105
My [Nm]	65
Fa [N]	1900

TECHNICAL DATA

Technical Data*

Order no.	GPD5008N-00-A	GPD5008NC-00-A	GPD5008NO-00-A	GPD5008S-00-A	GPD5008SC-00-A	GPD5008SO-00-A
Stroke per jaw [mm]	8	8	8	4	4	4
Gripping force in closing [N]	1260	1690		2780	3730	
Gripping force in opening [N]	1340		1770	2960		3910
Gripping force secured by spring min. [N]		430	430		950	950
Closing time [s]	0.048	0.035	0.055	0.048	0.035	0.055
Opening time [s]	0.048	0.055	0.035	0.048	0.055	0.035
Permissible weight per jaw max [kg]	0.7	0.7	0.7	0.7	0.7	0.7
Length of the gripper fingers max. [mm]	125	115	115	115	105	105
Repetition accuracy +/- [mm]	0.01	0.01	0.01	0.01	0.01	0.01
Operating pressure min. [bar]	3	4	4	3	4	4
Operating pressure max. [bar]	8	7	7	8	7	7
Operating temperature [°C]	-10 ... +90	-10 ... +90	-10 ... +90	-10 ... +90	-10 ... +90	-10 ... +90
Air volume per cycle [cm³]	51	90	90	51	90	90
Protection to IEC 60529	IP64	IP64	IP64	IP64	IP64	IP64
Weight [kg]	0.83	1	1	0.83	1	1

Technical Data - High Temperature Version

Order no.	GPD5008N-20-A	GPD5008NC-20-A	GPD5008NO-20-A	GPD5008S-20-A	GPD5008SC-20-A	GPD5008SO-20-A
Operating temperature [°C]	-10 ... +130	-10 ... +130	-10 ... +130	-10 ... +130	-10 ... +130	-10 ... +130

Technical Data - Protector Version

Order no.	GPD5008N-21-A	GPD5008NC-21-A	GPD5008NO-21-A	GPD5008S-21-A	GPD5008SC-21-A	GPD5008SO-21-A
Protection to IEC 60529	IP67**	IP67**	IP67**	IP67**	IP67**	IP67**
Weight [kg]	1.03	1.2	1.2	1.03	1.2	1.2

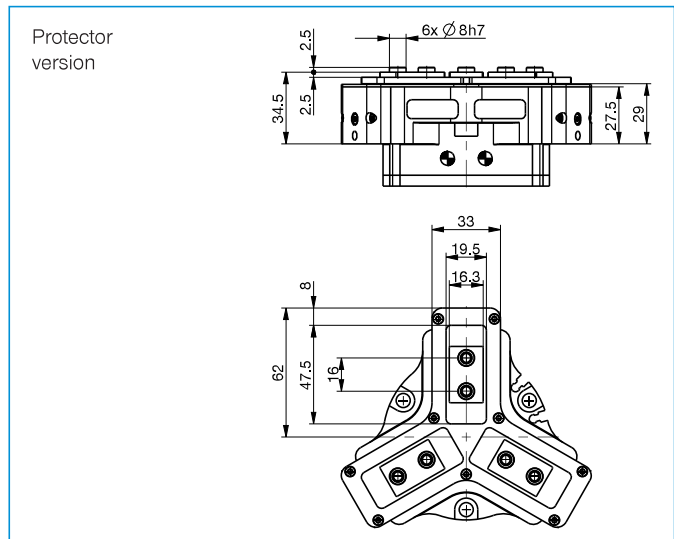
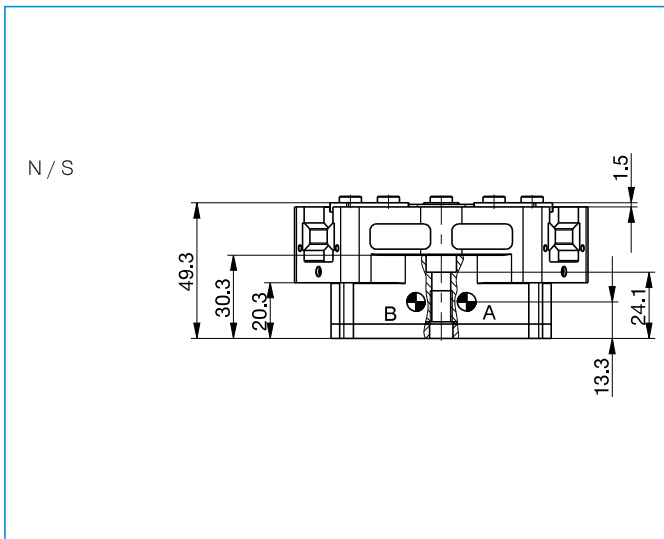
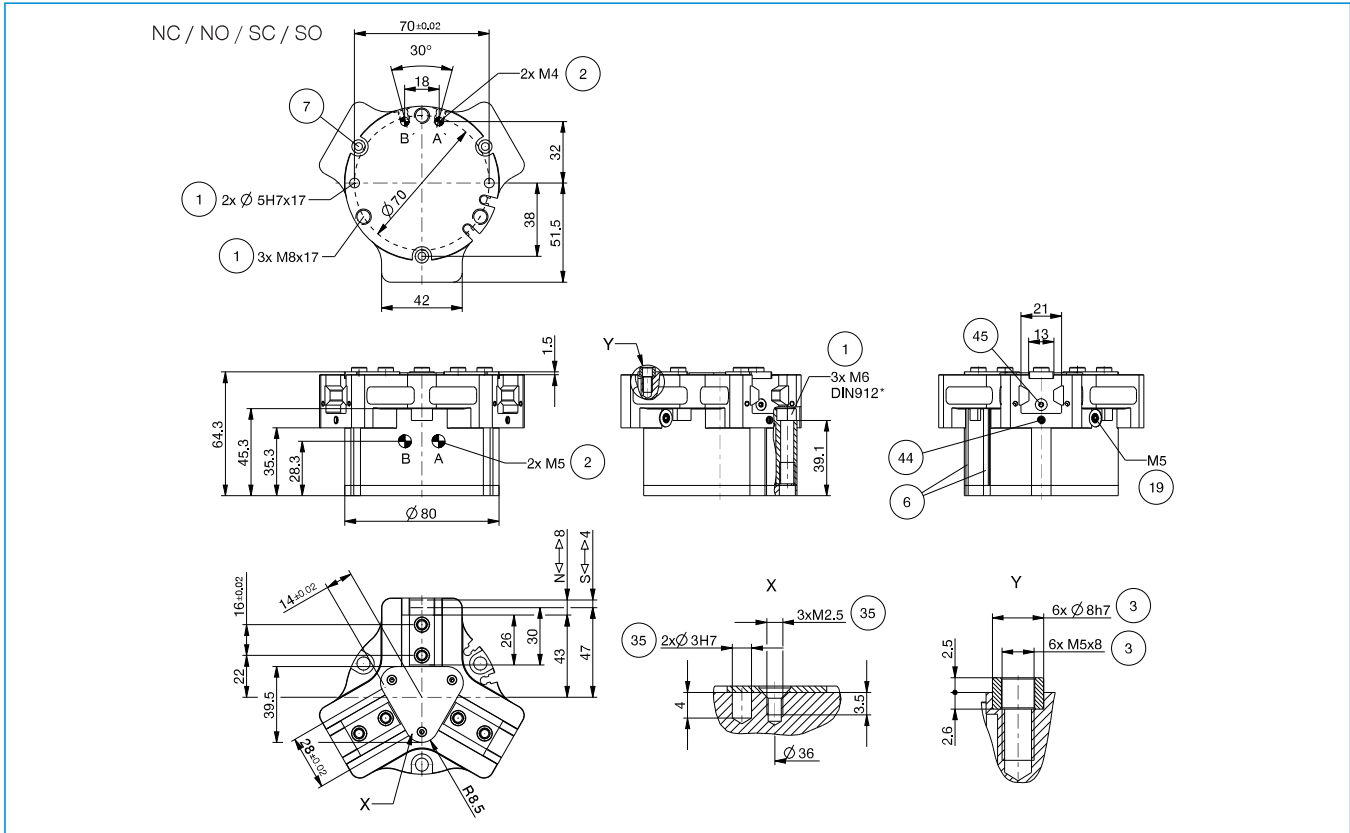
Technical Data - High Temperature Protector Version

Order no.	GPD5008N-24-A	GPD5008NC-24-A	GPD5008NO-24-A	GPD5008S-24-A	GPD5008SC-24-A	GPD5008SO-24-A
Operating temperature [°C]	-10 ... +130	-10 ... +130	-10 ... +130	-10 ... +130	-10 ... +130	-10 ... +130
Protection to IEC 60529	IP67**	IP67**	IP67**	IP67**	IP67**	IP67**
Weight [kg]	1.03	1.2	1.2	1.03	1.2	1.2

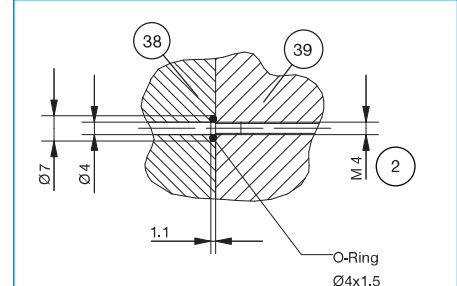
*All data measured at 6 bar

** with purged air (max. 0,5 bar)

TECHNICAL DRAWINGS



- ① Gripper attachment
- ② Energy supply
- ③ Fixing for gripper finger
- ⑥ Integrated slot for magnetic field sensor
- ⑦ Mounting block
- ⑱ Air purge connection option
- ⑳ Attachment option for customer-specific fittings
- ㉔ Adapter
- ㉙ Gripper
- ㉚ Clamp for sensor
- ㉛ Switch cam adjustment
- Ⓐ Air connection (close)
- Ⓑ Air connection (open)
- Ⓐ Air connection, alternative (close)
- Ⓑ Air connection, alternative (open)

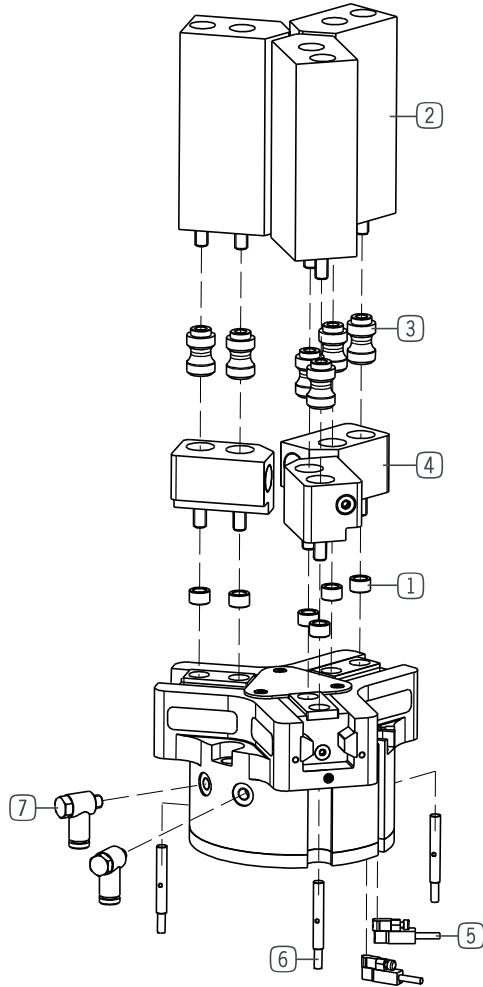


3-JAW CONCENTRIC GRIPPERS

INSTALLATION SIZE GPD5008

1

Installation size GPD5008 / 3-Jaw Concentric Grippers / pneumatic / Grippers



▶ INCLUDED IN DELIVERY



Centering Disc

024231

▶ RECOMMENDED ACCESSORIES



Universal jaw aluminium

UB5008AL



Universal jaw steel

UB5008ST



Aluminum adjustment jaw

EB5008AL



Steel adjustment jaw

EB5008ST



Changeable jaw, loose-part-set

WB5008L



Changeable jaw, fix-part

WB5008F



Pressure piece N / S

ADS5008-01



Pressure piece NC / NO / SC / SO

ADS5008-02



Inductive Proximity Switch Cable 0,3 m - Connector M8

NJ4-E2SK-01



Magnetic field sensor Angled Cable 0,3 m - Connector M8

MFS103SKHC



Magnetic field sensor Straight Cable 0,3 m - Connector M8

MFS204SKHC



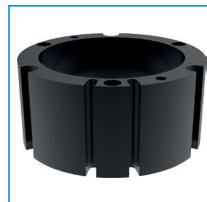
2-Position-Sensor Cable 0,3 m - Connector M8

MFSP2SKHC-02



Angled Fittings - Quick Connect Style

WVM5



Compensation module N / S

ZUB5008DNS

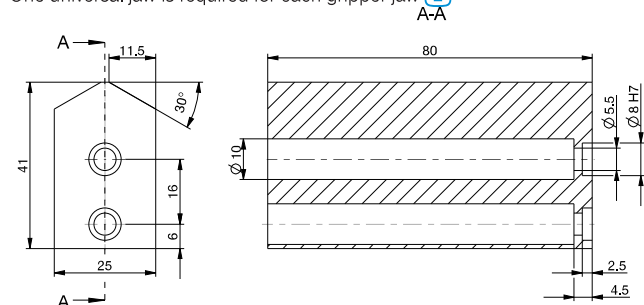


Compensation module NC / NO / SC / SO

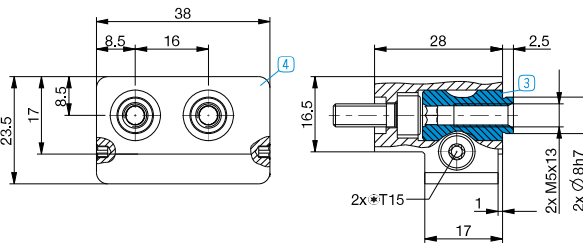
ZUB5008DCO

▶ TECHNICAL DRAWINGS ACCESSORIES

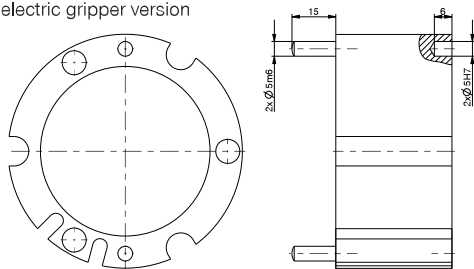
One universal jaw is required for each gripper jaw ⁽²⁾



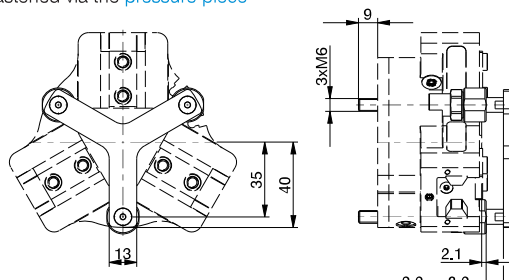
For each gripper jaw, one interchangeable jaw loose part set ⁽³⁾ and one interchangeable jaw fixed part ⁽⁴⁾ are needed



Compensation module for compensating for the height differences between the pneumatic and electric gripper version



Gripper is fastened via the pressure piece



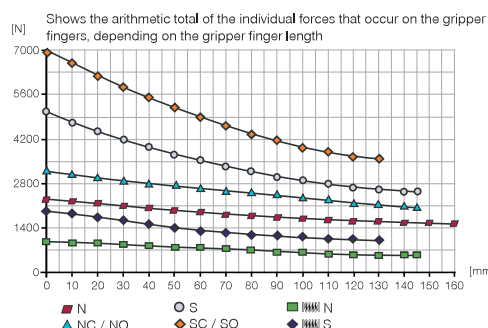
3-JAW CONCENTRIC GRIPPERS

INSTALLATION SIZE GPD5010

PRODUCT SPECIFICATIONS



Gripping force diagram



Forces and moments

Displays static forces and moments that can also have an effect, besides the gripping force.



Mr [Nm]	75
Mx [Nm]	125
My [Nm]	95
Fa [N]	2700

TECHNICAL DATA

Technical Data*

Order no.	GPD5010N-00-A	GPD5010NC-00-A	GPD5010NO-00-A	GPD5010S-00-A	GPD5010SC-00-A	GPD5010SO-00-A
Stroke per jaw [mm]	10	10	10	5	5	5
Gripping force in closing [N]	2290	3140		5050	6930	
Gripping force in opening [N]	2400		3250	5280		7160
Gripping force secured by spring min. [N]		850	850		1880	1880
Closing time [s]	0.095	0.095	0.19	0.095	0.095	0.19
Opening time [s]	0.095	0.19	0.095	0.095	0.19	0.095
Permissible weight per jaw max [kg]	1.3	1.3	1.3	1.3	1.3	1.3
Length of the gripper fingers max. [mm]	160	145	145	145	130	130
Repetition accuracy +/- [mm]	0.01	0.01	0.01	0.01	0.01	0.01
Operating pressure min. [bar]	3	4	4	3	4	4
Operating pressure max. [bar]	8	7	7	8	7	7
Operating temperature [°C]	-10 ... +90	-10 ... +90	-10 ... +90	-10 ... +90	-10 ... +90	-10 ... +90
Air volume per cycle [cm³]	100	200	200	100	200	200
Protection to IEC 60529	IP64	IP64	IP64	IP64	IP64	IP64
Weight [kg]	1.45	1.9	1.9	1.45	1.9	1.9

Technical Data - High Temperature Version

Order no.	GPD5010N-20-A	GPD5010NC-20-A	GPD5010NO-20-A	GPD5010S-20-A	GPD5010SC-20-A	GPD5010SO-20-A
Operating temperature [°C]	-10 ... +130	-10 ... +130	-10 ... +130	-10 ... +130	-10 ... +130	-10 ... +130

Technical Data - Protector Version

Order no.	GPD5010N-21-A	GPD5010NC-21-A	GPD5010NO-21-A	GPD5010S-21-A	GPD5010SC-21-A	GPD5010SO-21-A
Protection to IEC 60529	IP67**	IP67**	IP67**	IP67**	IP67**	IP67**
Weight [kg]	1.8	2.23	2.23	1.8	2.23	2.23

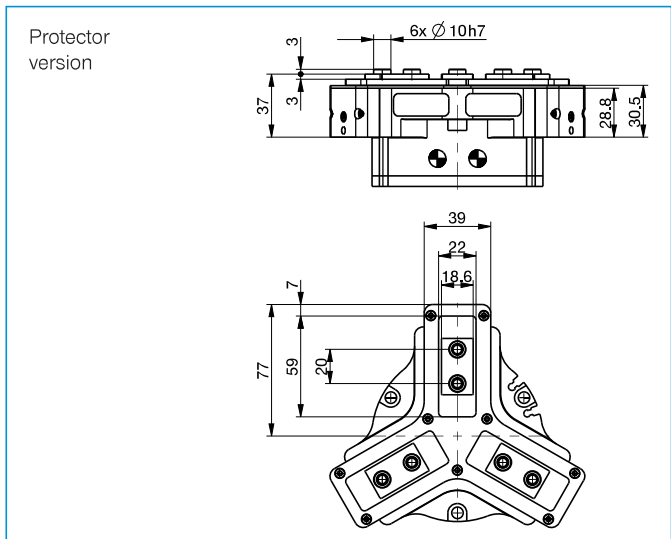
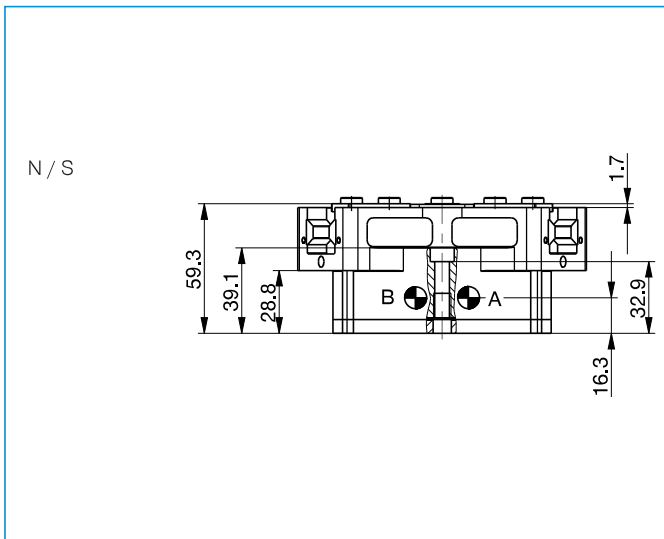
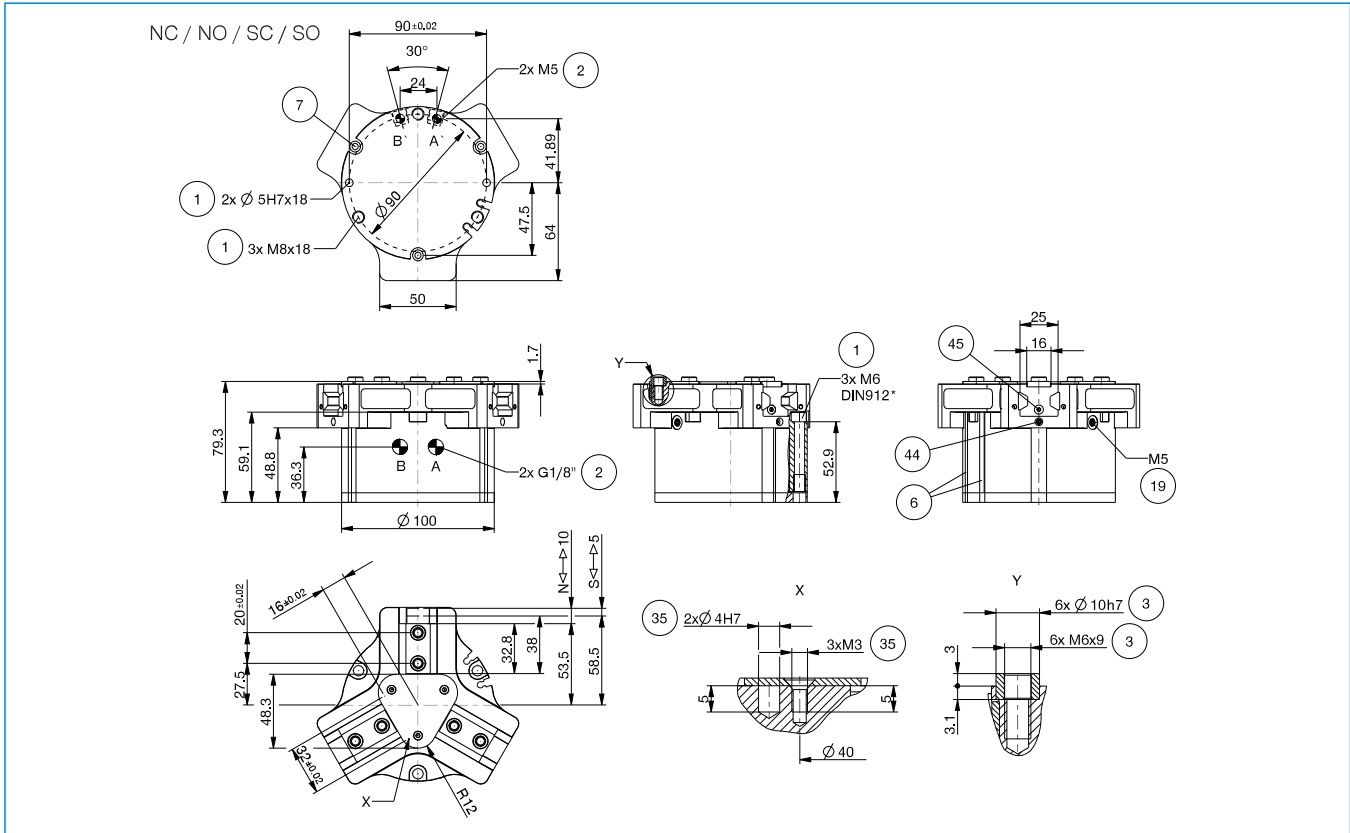
Technical Data - High Temperature Protector Version

Order no.	GPD5010N-24-A	GPD5010NC-24-A	GPD5010NO-24-A	GPD5010S-24-A	GPD5010SC-24-A	GPD5010SO-24-A
Operating temperature [°C]	-10 ... +130	-10 ... +130	-10 ... +130	-10 ... +130	-10 ... +130	-10 ... +90
Protection to IEC 60529	IP67**	IP67**	IP67**	IP67**	IP67**	IP67**
Weight [kg]	1.8	2.23	2.23	1.8	2.23	2.23

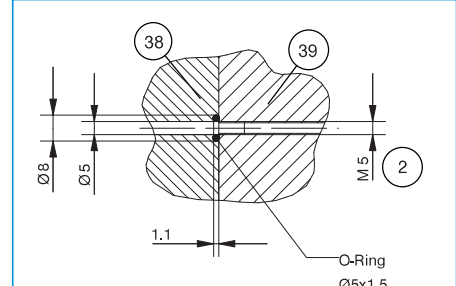
*All data measured at 6 bar

** with purged air (max. 0,5 bar)

TECHNICAL DRAWINGS



- | | |
|---|---------------------------------------|
| ① Gripper attachment | ③⑨ Gripper |
| ② Energy supply | ④④ Clamp for sensor |
| ③ Fixing for gripper finger | ④⑤ Switch cam adjustment |
| ⑥ Integrated slot for magnetic field sensor | Ⓐ Air connection (close) |
| ⑦ Mounting block | Ⓑ Air connection (open) |
| ⑱ Air purge connection option | Ⓐ Air connection, alternative (close) |
| ③⑤ Attachment option for customer-specific fittings | Ⓑ Air connection, alternative (open) |
| ③⑧ Adapter | |

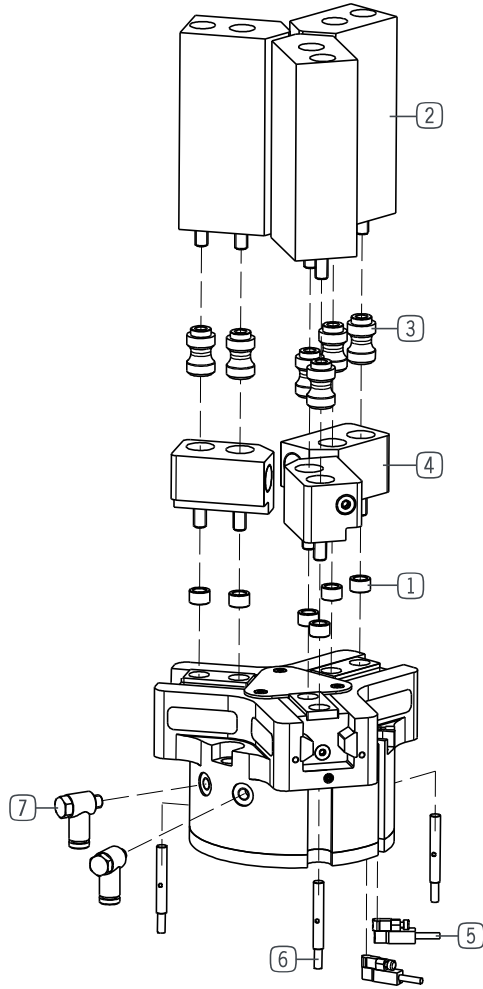


3-JAW CONCENTRIC GRIPPERS

INSTALLATION SIZE GPD5010

1

Installation size GPD5010 / 3-Jaw Concentric Grippers / pneumatic / Grippers



▶ INCLUDED IN DELIVERY



Centering Disc

018187

▶ RECOMMENDED ACCESSORIES



Universal jaw aluminium

UB5010AL



Universal jaw steel

UB5010ST



Aluminum adjustment jaw

EB5010AL



Steel adjustment jaw

EB5010ST



Changeable jaw, loose-part-set

WB5010L



Changeable jaw, fix-part

WB5010F



Pressure piece N / S

ADS5010-01



Pressure piece NC / NO / SC / SO

ADS5010-02



Inductive Proximity Switch Cable 0,3 m - Connector M8

NJ4-E2SK-01



Magnetic field sensor Angled Cable 0,3 m - Connector M8

MFS103SKHC



Magnetic field sensor Straight Cable 0,3 m - Connector M8

MFS204SKHC



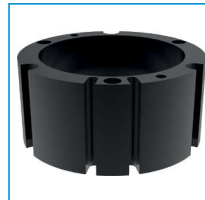
2-Position-Sensor Cable 0,3 m - Connector M8

MFSP2SKHC-02



Angled Fittings - Quick Connect Style

WV1-8X6



Compensation module N / S

ZUB5010DNS

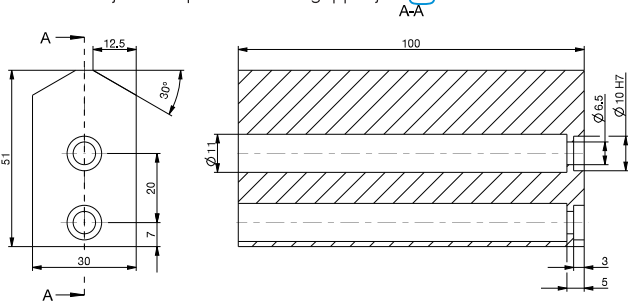


Compensation module NC / NO / SC / SO

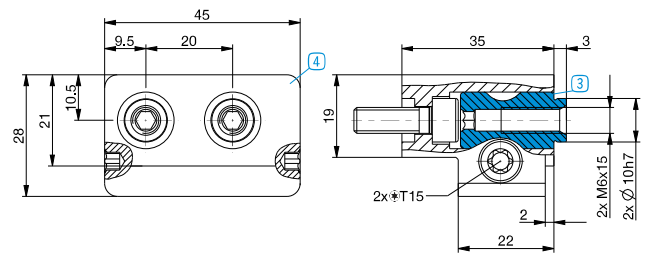
ZUB5010DCO

▶ TECHNICAL DRAWINGS ACCESSORIES

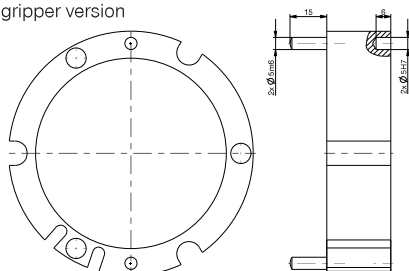
One universal jaw is required for each gripper jaw ⁽²⁾



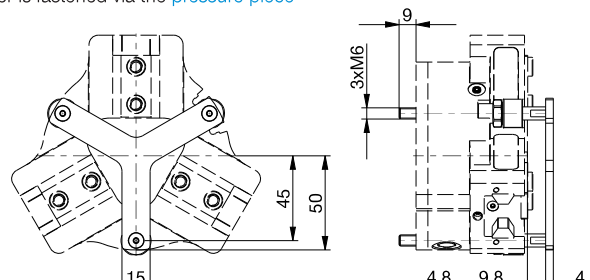
For each gripper jaw, one interchangeable jaw loose part set ⁽³⁾ and one interchangeable jaw fixed part ⁽⁴⁾ are needed



Compensation module for compensating for the height differences between the pneumatic and electric gripper version



Gripper is fastened via the pressure piece



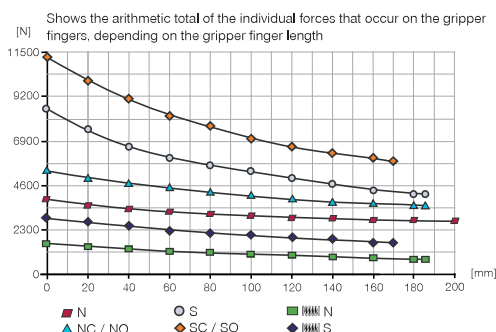
3-JAW CONCENTRIC GRIPPERS

INSTALLATION SIZE GPD5013

PRODUCT SPECIFICATIONS

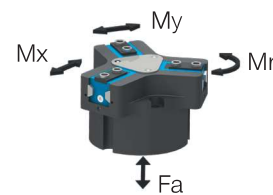


Gripping force diagram



Forces and moments

Displays static forces and moments that can also have an effect, besides the gripping force.



Mr [Nm]	110
Mx [Nm]	150
My [Nm]	130
Fa [N]	3300

TECHNICAL DATA

Technical Data*

Order no.	GPD5013N-00-A	GPD5013NC-00-A	GPD5013NO-00-A	GPD5013S-00-A	GPD5013SC-00-A	GPD5013SO-00-A
Stroke per jaw [mm]	13	13	13	6	6	6
Gripping force in closing [N]	3770	5060		8310	11160	
Gripping force in opening [N]	3910		5200	8600		11450
Gripping force secured by spring min. [N]		1290	1290		2850	2850
Closing time [s]	0.19	0.15	0.25	0.19	0.15	0.25
Opening time [s]	0.19	0.25	0.15	0.19	0.25	0.15
Permissible weight per jaw max [kg]	2.4	2.4	2.4	2.4	2.4	2.4
Length of the gripper fingers max. [mm]	200	185	185	185	170	170
Repetition accuracy +/- [mm]	0.01	0.01	0.01	0.01	0.01	0.01
Operating pressure min. [bar]	3	4	4	3	4	4
Operating pressure max. [bar]	8	7	7	8	7	7
Operating temperature [°C]	-10 ... +90	-10 ... +90	-10 ... +90	-10 ... +90	-10 ... +90	-10 ... +90
Air volume per cycle [cm³]	230	415	415	230	415	415
Protection to IEC 60529	IP64	IP64	IP64	IP64	IP64	IP64
Weight [kg]	2.6	3.7	3.7	2.6	3.7	3.7

Technical Data - High Temperature Version

Order no.	GPD5013N-20-A	GPD5013NC-20-A	GPD5013NO-20-A	GPD5013S-20-A	GPD5013SC-20-A	GPD5013SO-20-A
Operating temperature [°C]	-10 ... +130	-10 ... +130	-10 ... +130	-10 ... +130	-10 ... +130	-10 ... +130

Technical Data - Protector Version

Order no.	GPD5013N-21-A	GPD5013NC-21-A	GPD5013NO-21-A	GPD5013S-21-A	GPD5013SC-21-A	GPD5013SO-21-A
Protection to IEC 60529	IP67**	IP67**	IP67**	IP67**	IP67**	IP67**
Weight [kg]	3.15	4.3	4.3	3.15	4.3	4.3

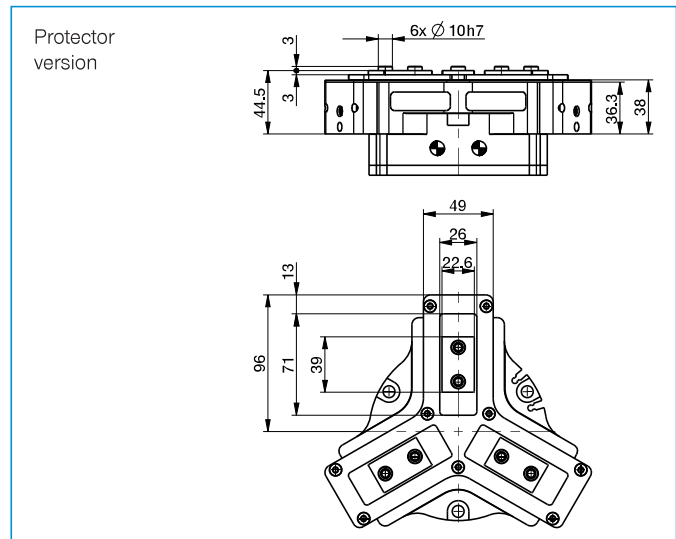
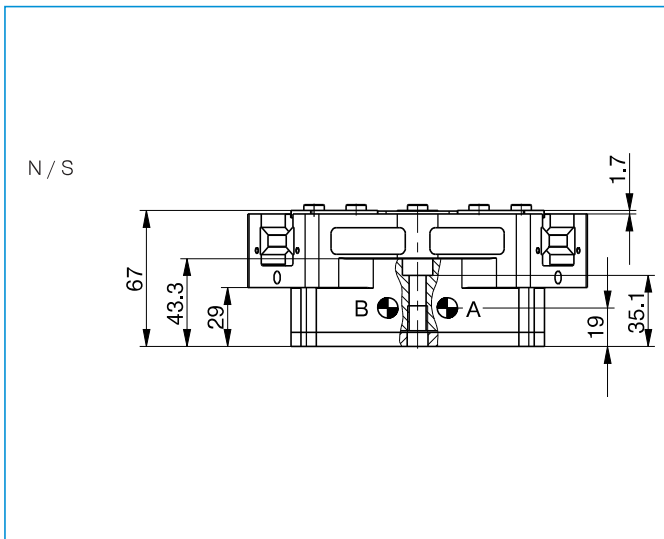
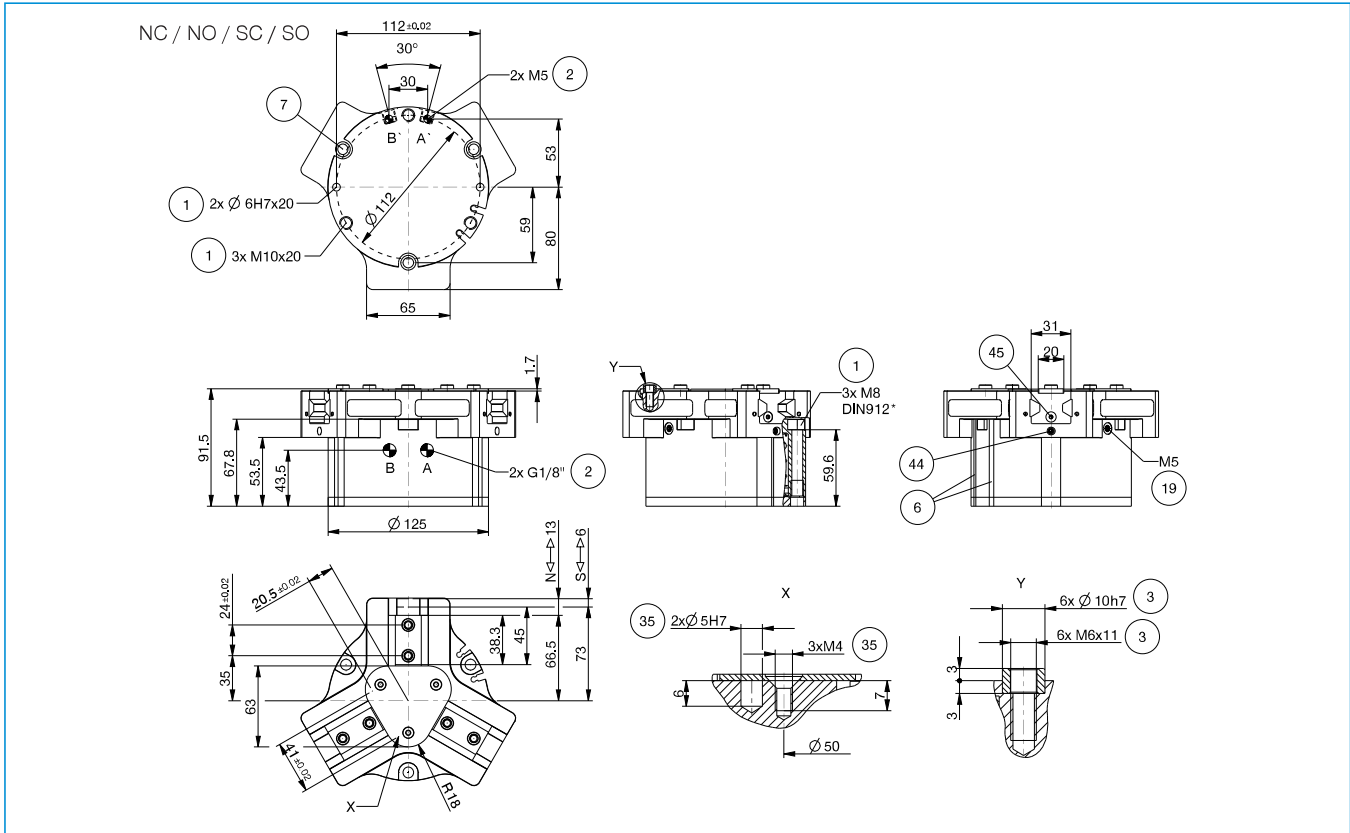
Technical Data - High Temperature Protector Version

Order no.	GPD5013N-24-A	GPD5013NC-24-A	GPD5013NO-24-A	GPD5013S-24-A	GPD5013SC-24-A	GPD5013SO-24-A
Operating temperature [°C]	-10 ... +130	-10 ... +130	-10 ... +130	-10 ... +130	-10 ... +130	-10 ... +130
Protection to IEC 60529	IP67**	IP67**	IP67**	IP67**	IP67**	IP67**
Weight [kg]	3.15	4.3	4.3	3.15	4.3	4.3

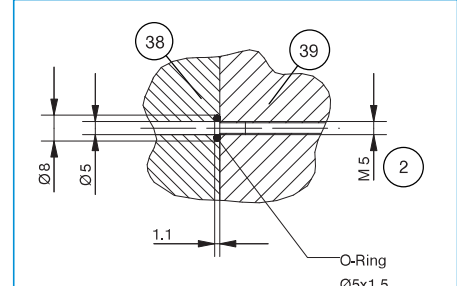
*All data measured at 6 bar

** with purged air (max. 0,5 bar)

TECHNICAL DRAWINGS

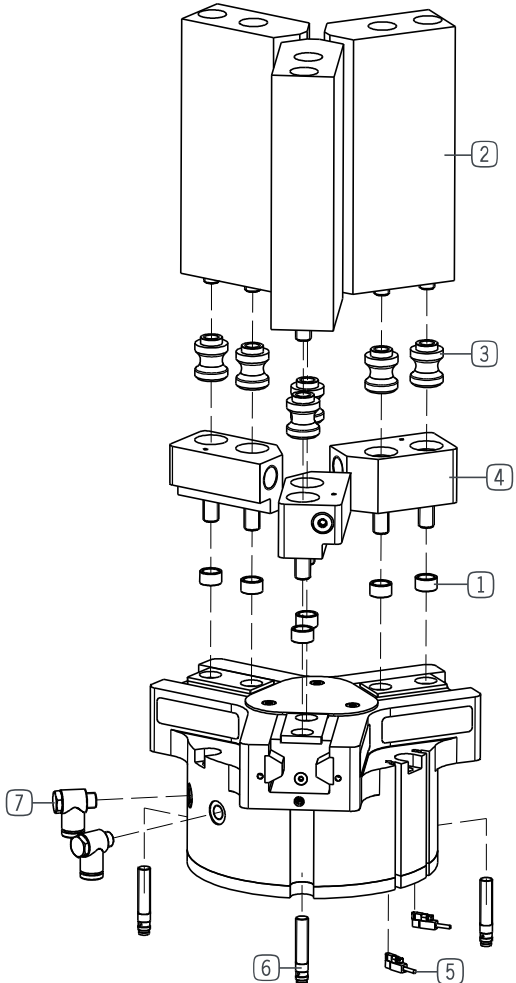


- ① Gripper attachment
- ② Energy supply
- ③ Fixing for gripper finger
- ⑥ Integrated slot for magnetic field sensor
- ⑦ Mounting block
- ⑱ Air purge connection option
- ⑳ Attachment option for customer-specific fittings
- ㉔ Adapter
- ㉙ Gripper
- ㉚ Clamp for sensor
- ㉛ Switch cam adjustment
- Ⓐ Air connection (close)
- Ⓑ Air connection (open)
- Ⓐ Air connection, alternative (close)
- Ⓑ Air connection, alternative (open)



3-JAW CONCENTRIC GRIPPERS

INSTALLATION SIZE GPD5013



▶ INCLUDED IN DELIVERY



Centering Disc

018187

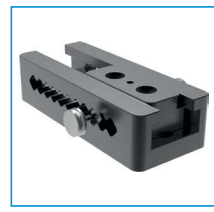
▶ RECOMMENDED ACCESSORIES



Universal jaw aluminium
UB5013AL



Universal jaw steel
UB5013ST



Aluminum adjustment jaw
EB5013AL



Steel adjustment jaw
EB5013ST



Changeable jaw, loose-part-set
WB5013L



Changeable jaw, fix-part
WB5013F



Pressure piece N / S
ADS5013-01



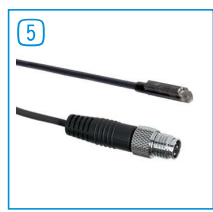
Pressure piece NC / NO / SC / SO
ADS5013-02



Inductive proximity switch - Connector M8
NJ8-E2S



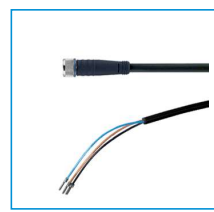
Magnetic field sensor Angled Cable 0,3 m - Connector M8
MFS103SKHC



Magnetic field sensor Straight Cable 0,3 m - Connector M8
MFS204SKHC



2-Position-Sensor Cable 0,3 m - Connector M8
MFSP2SKHC-02



Plug-in connector Straight Cable 5m - Socket M8 (female)
KAG500

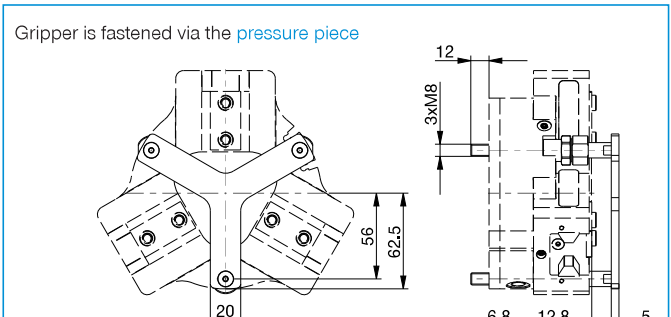
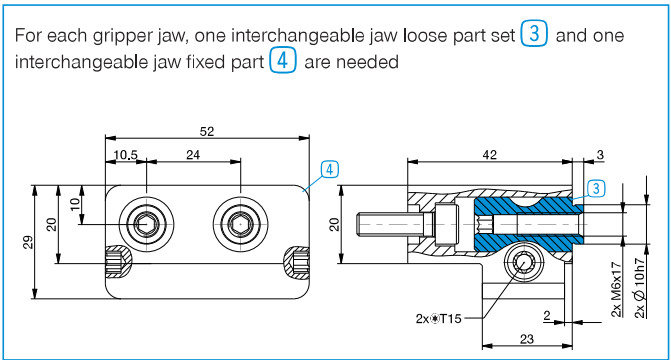
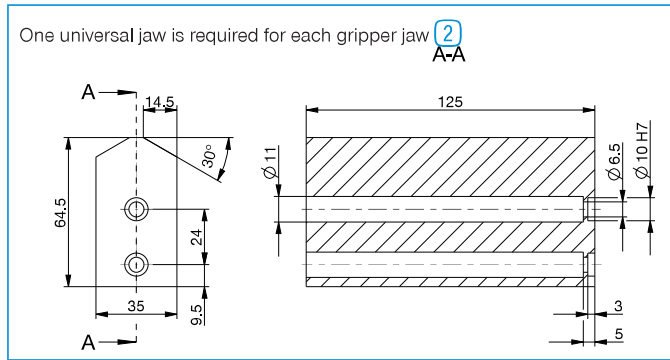


Angled Fittings - Quick Connect Style
WV1-8X6



Pressure Safety Valve
DSV1-8

▶ TECHNICAL DRAWINGS ACCESSORIES



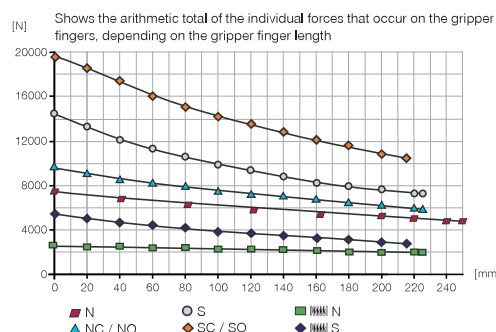
3-JAW CONCENTRIC GRIPPERS

INSTALLATION SIZE GPD5016

PRODUCT SPECIFICATIONS



Gripping force diagram



Forces and moments

Displays static forces and moments that can also have an effect, besides the gripping force.



Mr [Nm]	145
Mx [Nm]	195
My [Nm]	185
Fa [N]	5200

TECHNICAL DATA

Technical Data*

Order no.	GPD5016N-00-A	GPD5016NC-00-A	GPD5016NO-00-A	GPD5016S-00-A	GPD5016SC-00-A	GPD5016SO-00-A
Stroke per jaw [mm]	16	16	16	8	8	8
Gripping force in closing [N]	6870	9240		14700	19780	
Gripping force in opening [N]	7120		9490	15250		20330
Gripping force secured by spring min. [N]		2370	2370		5080	5080
Closing time [s]	0.4	0.3	0.5	0.4	0.3	0.5
Opening time [s]	0.4	0.5	0.3	0.4	0.5	0.3
Permissible weight per jaw max [kg]	3.8	3.8	3.8	3.8	3.8	3.8
Length of the gripper fingers max. [mm]	245	225	225	225	215	215
Repetition accuracy +/- [mm]	0.02	0.02	0.02	0.02	0.02	0.02
Operating pressure min. [bar]	3	4	4	3	4	4
Operating pressure max. [bar]	8	7	7	8	7	7
Operating temperature [°C]	-10 ... +90	-10 ... +90	-10 ... +90	-10 ... +90	-10 ... +90	-10 ... +90
Air volume per cycle [cm³]	525	925	925	525	925	925
Protection to IEC 60529	IP64	IP64	IP64	IP64	IP64	IP64
Weight [kg]	6.3	8.1	8.1	6.3	8.1	8.1

Technical Data - High Temperature Version

Order no.	GPD5016N-20-A	GPD5016NC-20-A	GPD5016NO-20-A	GPD5016S-20-A	GPD5016SC-20-A	GPD5016SO-20-A
Operating temperature [°C]	-10 ... +130	-10 ... +130	-10 ... +130	-10 ... +130	-10 ... +130	-10 ... +130

Technical Data - Protector Version

Order no.	GPD5016N-21-A	GPD5016NC-21-A	GPD5016NO-21-A	GPD5016S-21-A	GPD5016SC-21-A	GPD5016SO-21-A
Protection to IEC 60529	IP67**	IP67**	IP67**	IP67**	IP67**	IP67**
Weight [kg]	7.4	9.2	9.2	7.4	9.2	9.2

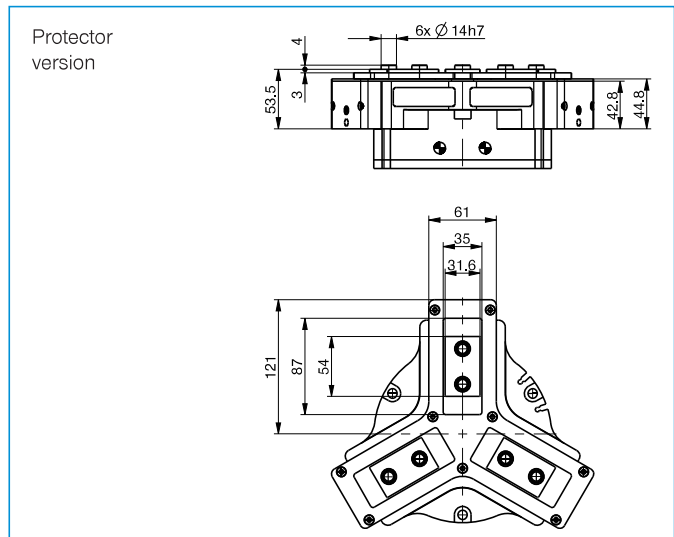
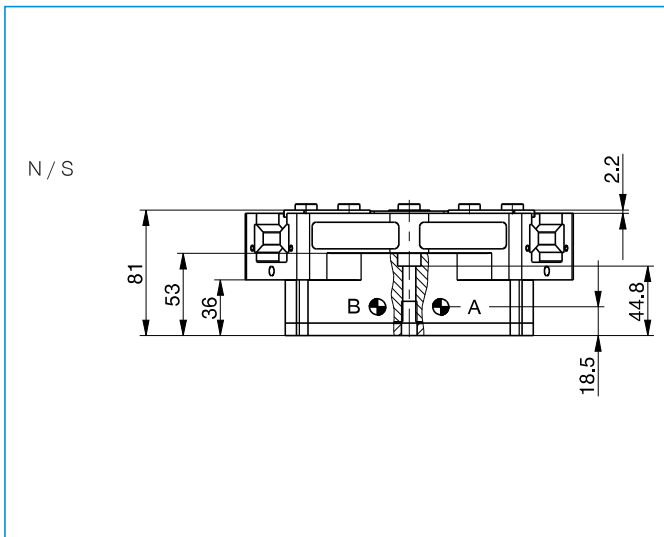
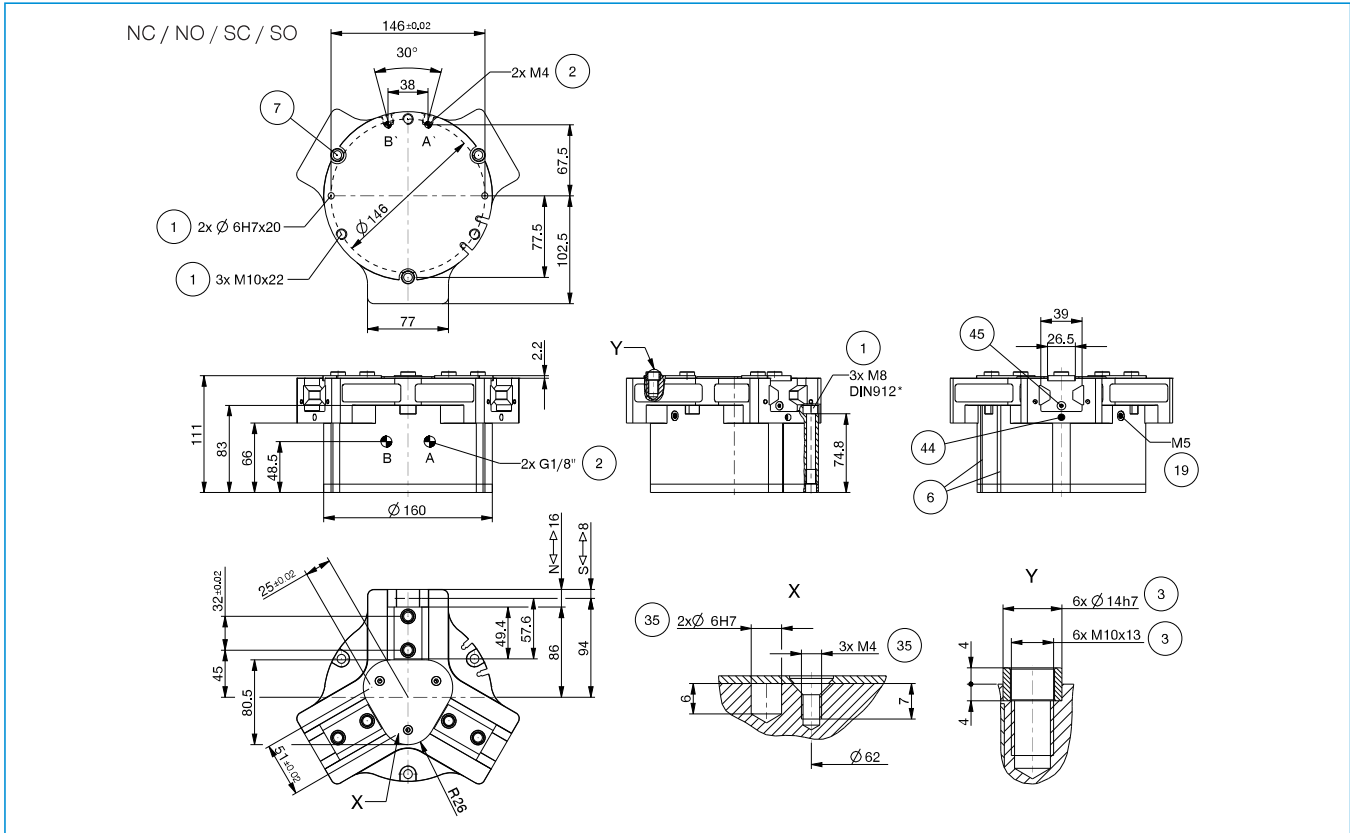
Technical Data - High Temperature Protector Version

Order no.	GPD5016N-24-A	GPD5016NC-24-A	GPD5016NO-24-A	GPD5016S-24-A	GPD5016SC-24-A	GPD5016SO-24-A
Operating temperature [°C]	-10 ... +130	-10 ... +130	-10 ... +130	-10 ... +130	-10 ... +130	-10 ... +130
Protection to IEC 60529	IP67**	IP67**	IP67**	IP67**	IP67**	IP67**
Weight [kg]	7.4	9.2	9.2	7.4	9.2	9.2

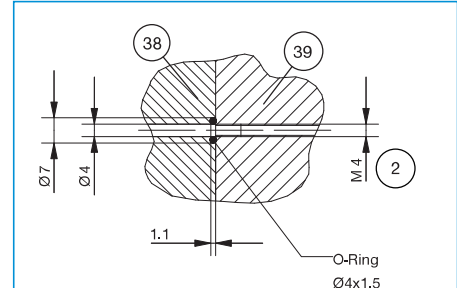
*All data measured at 6 bar

** with purged air (max. 0,5 bar)

TECHNICAL DRAWINGS



- ① Gripper attachment
- ② Energy supply
- ③ Fixing for gripper finger
- ⑥ Integrated slot for magnetic field sensor
- ⑦ Mounting block
- ⑱ Air purge connection option
- ⑳ Attachment option for customer-specific fittings
- ㉔ Adapter
- ㉔ Gripper
- ㉔ Clamp for sensor
- ㉔ Switch cam adjustment
- Ⓐ Air connection (close)
- Ⓑ Air connection (open)
- Ⓐ Air connection, alternative (close)
- Ⓑ Air connection, alternative (open)

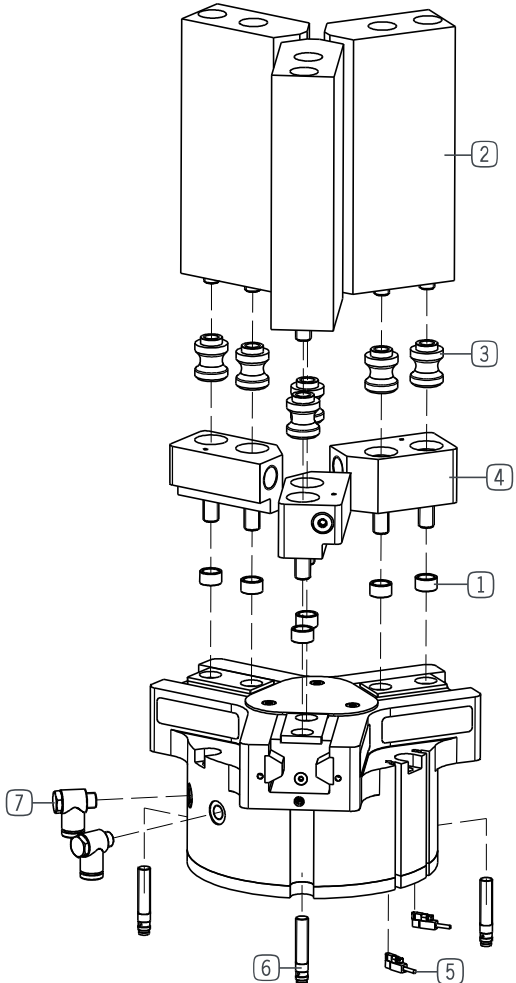


3-JAW CONCENTRIC GRIPPERS

INSTALLATION SIZE GPD5016

1

Installation size GPD5016 / 3-Jaw Concentric Grippers / pneumatic / Grippers



▶ INCLUDED IN DELIVERY



Centering Disc

019387

► RECOMMENDED ACCESSORIES



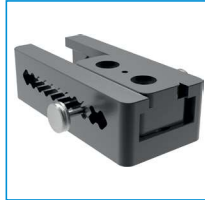
Universal jaw aluminium

UB5016AL



Universal jaw steel

UB5016ST



Aluminum adjustment jaw

EB5016AL



Steel adjustment jaw

EB5016ST



Changeable jaw, loose-part-set

WB5016L



Changeable jaw, fix-part

WB5016F



Pressure piece N / S

ADS5016-01



Pressure piece NC / NO / SC / SO

ADS5016-02



Inductive proximity switch - Connector M8

NJ8-E2S



Magnetic field sensor Angled Cable 0,3 m - Connector M8

MFS103SKHC



Magnetic field sensor Straight Cable 0,3 m - Connector M8

MFS204SKHC



2-Position-Sensor Cable 0,3 m - Connector M8

MFSP2SKHC-02



Plug-in connector Straight Cable 5m - Socket M8 (female)

KAG500



Angled Fittings - Quick Connect Style

WV1-8X8

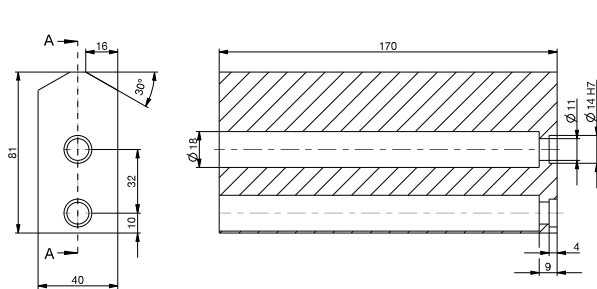


Pressure Safety Valve

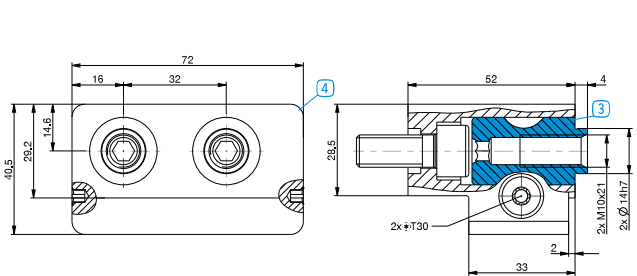
DSV1-8

► TECHNICAL DRAWINGS ACCESSORIES

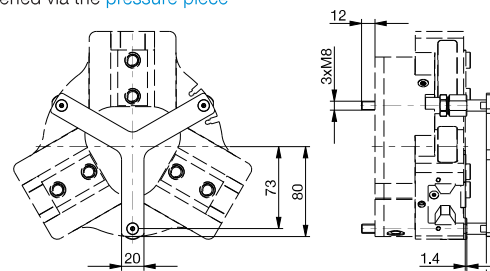
One universal jaw is required for each gripper jaw ⁽²⁾



For each gripper jaw, one interchangeable jaw loose part set ⁽³⁾ and one interchangeable jaw fixed part ⁽⁴⁾ are needed



Gripper is fastened via the pressure piece



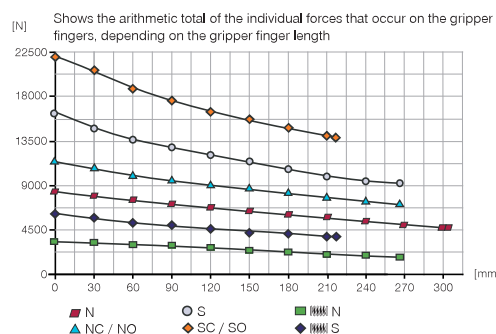
3-JAW CONCENTRIC GRIPPERS

INSTALLATION SIZE GPD5025

PRODUCT SPECIFICATIONS



Gripping force diagram



Forces and moments

Displays static forces and moments that can also have an effect, besides the gripping force.



Mr [Nm]	180
Mx [Nm]	205
My [Nm]	225
Fa [N]	7500

TECHNICAL DATA

Technical Data*

Order no.	GPD5025N-00-A	GPD5025NC-00-A	GPD5025NO-00-A	GPD5025S-00-A	GPD5025SC-00-A	GPD5025SO-00-A
Stroke per jaw [mm]	25	25	25	14	14	14
Gripping force in closing [N]	8430	11560		16240	22270	
Gripping force in opening [N]	8730		11860	16820		22850
Gripping force secured by spring min. [N]		3130	3130		6030	6030
Closing time [s]	0.6	0.6	1.0	0.6	0.6	1.0
Opening time [s]	0.6	1.0	0.6	0.6	1.0	0.6
Permissible weight per jaw max [kg]	7	7	7	7	7	7
Length of the gripper fingers max. [mm]	310	265	265	265	220	220
Repetition accuracy +/- [mm]	0.05	0.05	0.05	0.05	0.05	0.05
Operating pressure min. [bar]	3	4	4	3	4	4
Operating pressure max. [bar]	8	7	7	8	7	7
Operating temperature [°C]	-10 ... +90	-10 ... +90	-10 ... +90	-10 ... +90	-10 ... +90	-10 ... +90
Air volume per cycle [cm³]	1025	1750	1750	1025	1750	1750
Protection to IEC 60529	IP64	IP64	IP64	IP64	IP64	IP64
Weight [kg]	11.8	15.4	15.4	11.8	15.4	15.4

Technical Data - High Temperature Version

Order no.	GPD5025N-20-A	GPD5025NC-20-A	GPD5025NO-20-A	GPD5025S-20-A	GPD5025SC-20-A	GPD5025SO-20-A
Operating temperature [°C]	-10 ... +130	-10 ... +130	-10 ... +130	-10 ... +130	-10 ... +130	-10 ... +130

Technical Data - Protector Version

Order no.	GPD5025N-21-A	GPD5025NC-21-A	GPD5025NO-21-A	GPD5025S-21-A	GPD5025SC-21-A	GPD5025SO-21-A
Protection to IEC 60529	IP67**	IP67**	IP67**	IP67**	IP67**	IP67**
Weight [kg]	14	17.6	17.6	14	17.6	17.6

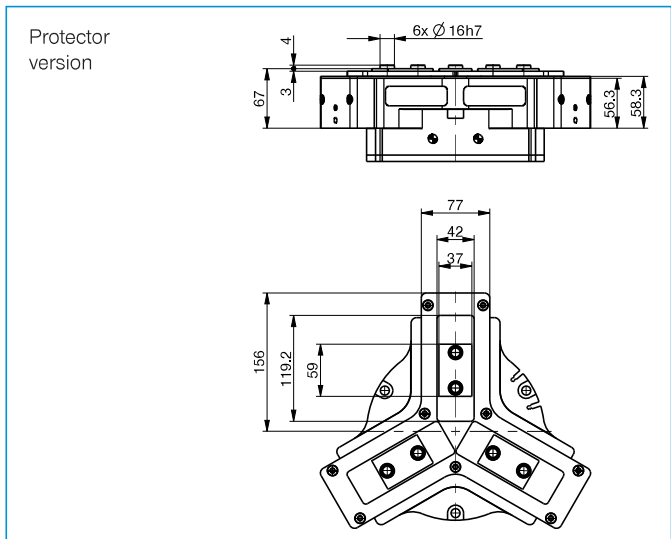
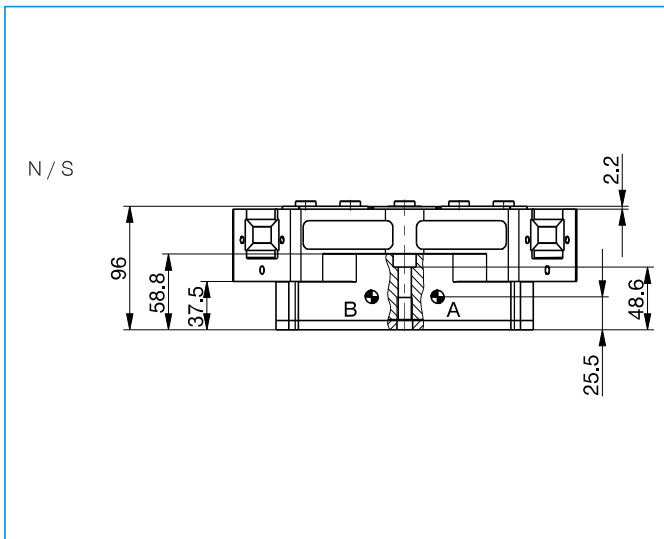
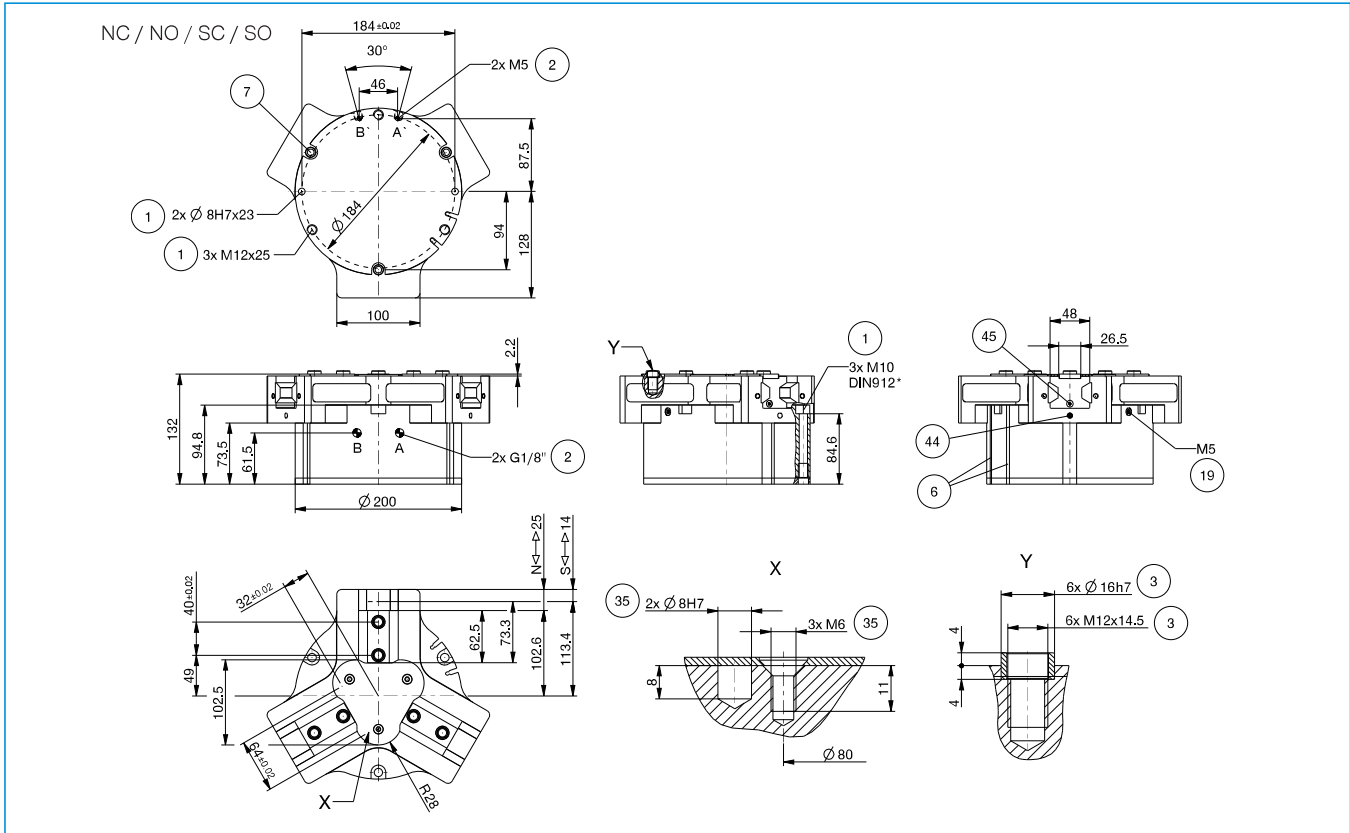
Technical Data - High Temperature Protector Version

Order no.	GPD5025N-24-A	GPD5025NC-24-A	GPD5025NO-24-A	GPD5025S-24-A	GPD5025SC-24-A	GPD5025SO-24-A
Operating temperature [°C]	-10 ... +130	-10 ... +130	-10 ... +130	-10 ... +130	-10 ... +130	-10 ... +130
Protection to IEC 60529	IP67**	IP67**	IP67**	IP67**	IP67**	IP67**
Weight [kg]	14	17.6	17.6	14	17.6	17.6

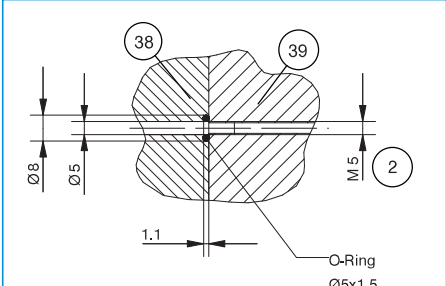
*All data measured at 6 bar

** with purged air (max. 0,5 bar)

TECHNICAL DRAWINGS

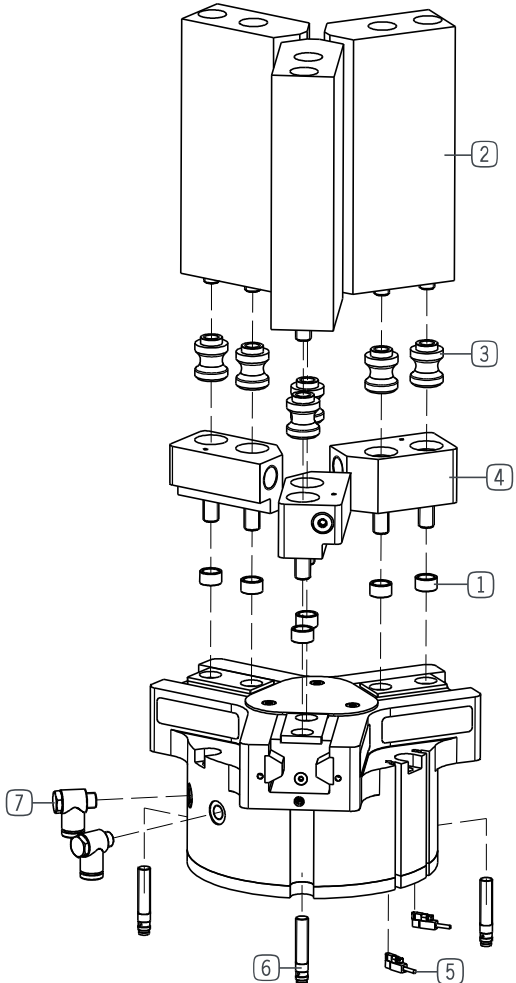


- ① Gripper attachment
- ② Energy supply
- ③ Fixing for gripper finger
- ⑥ Integrated slot for magnetic field sensor
- ⑦ Mounting block
- ⑱ Air purge connection option
- ⑳ Attachment option for customer-specific fittings
- ㉑ Adapter
- ㉒ Gripper
- ㉓ Clamp for sensor
- ㉔ Switch cam adjustment
- Ⓐ Air connection (close)
- Ⓑ Air connection (open)
- Ⓐ Air connection, alternative (close)
- Ⓑ Air connection, alternative (open)



3-JAW CONCENTRIC GRIPPERS

INSTALLATION SIZE GPD5025



► INCLUDED IN DELIVERY



Centering Disc

030529

▶ RECOMMENDED ACCESSORIES



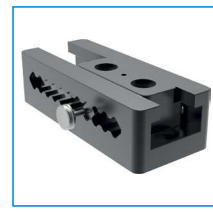
2 Universal jaw aluminium
UB5025AL



2 Universal jaw steel
UB5025ST



Aluminum adjustment jaw
EB5025AL



Steel adjustment jaw
EB5025ST



3 Changeable jaw, loose-part-set
WB5025L



4 Changeable jaw, fix-part
WB5025F



Pressure piece N / S
ADS5025-01



Pressure piece NC / NO / SC / SO
ADS5025-02



6 Inductive proximity switch - Connector M8
NJ8-E2S



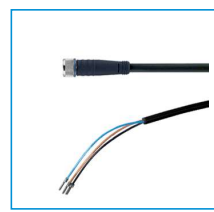
5 Magnetic field sensor Angled Cable 0,3 m - Connector M8
MFS103SKHC



5 Magnetic field sensor Straight Cable 0,3 m - Connector M8
MFS204SKHC



5 2-Position-Sensor Cable 0,3 m - Connector M8
MFSP2SKHC-02



Plug-in connector Straight Cable 5m - Socket M8 (female)
KAG500

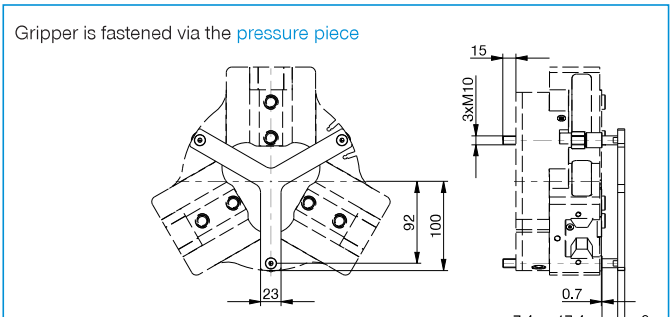
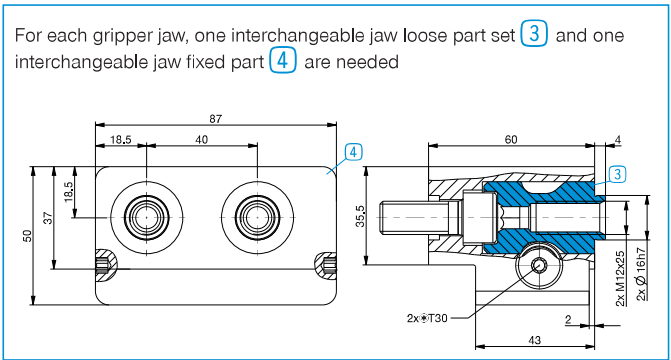
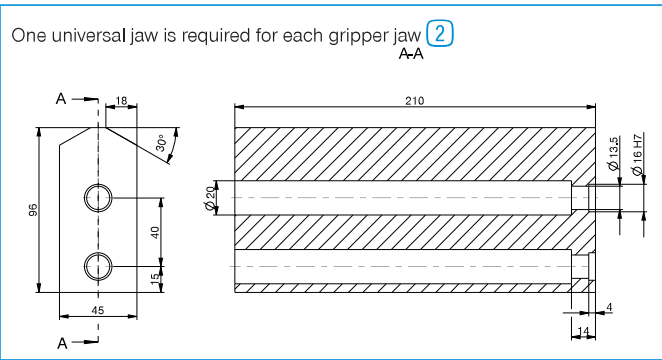


7 Angled Fittings - Quick Connect Style
WV1-8X8



Pressure Safety Valve
DSV1-8

▶ TECHNICAL DRAWINGS ACCESSORIES



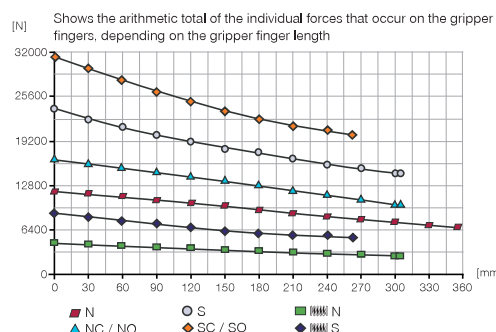
3-JAW CONCENTRIC GRIPPERS

INSTALLATION SIZE GPD5030

PRODUCT SPECIFICATIONS



Gripping force diagram



Forces and moments

Displays static forces and moments that can also have an effect, besides the gripping force.



Mr [Nm]	210
Mx [Nm]	290
My [Nm]	310
Fa [N]	9500

TECHNICAL DATA

Technical Data*

Order no.	GPD5030N-00-A	GPD5030NC-00-A	GPD5030NO-00-A	GPD5030S-00-A	GPD5030SC-00-A	GPD5030SO-00-A
Stroke per jaw [mm]	30	30	30	17	17	17
Gripping force in closing [N]	12130	16560		23150	31620	
Gripping force in opening [N]	12540		16970	23930		32400
Gripping force secured by spring min. [N]		4430	4430		8470	8470
Closing time [s]	1.13	1.0	1.9	1.13	1.0	1.9
Opening time [s]	1.13	1.9	1.0	1.13	1.9	1.0
Permissible weight per jaw max [kg]	9,5	9,5	9,5	9,5	9,5	9,5
Length of the gripper fingers max. [mm]	355	305	305	305	260	260
Repetition accuracy +/- [mm]	0,05	0,05	0,05	0,05	0,05	0,05
Operating pressure min. [bar]	3	4	4	3	4	4
Operating pressure max. [bar]	8	7	7	8	7	7
Operating temperature [°C]	-10 ... +90	-10 ... +90	-10 ... +90	-10 ... +90	-10 ... +90	-10 ... +90
Air volume per cycle [cm³]	1780	3000	3000	1780	3000	3000
Protection to IEC 60529	IP64	IP64	IP64	IP64	IP64	IP64
Weight [kg]	21	27,5	27,5	21	27,5	27,5

Technical Data - High Temperature Version

Order no.	GPD5030N-20-A	GPD5030NC-20-A	GPD5030NO-20-A	GPD5030S-20-A	GPD5030SC-20-A	GPD5030SO-20-A
Operating temperature [°C]	-10 ... +130	-10 ... +130	-10 ... +130	-10 ... +130	-10 ... +130	-10 ... +130

Technical Data - Protector Version

Order no.	GPD5030N-21-A	GPD5030NC-21-A	GPD5030NO-21-A	GPD5030S-21-A	GPD5030SC-21-A	GPD5030SO-21-A
Protection to IEC 60529	IP67**	IP67**	IP67**	IP67**	IP67**	IP67**
Weight [kg]	24	30,5	30,5	24	30,5	30,5

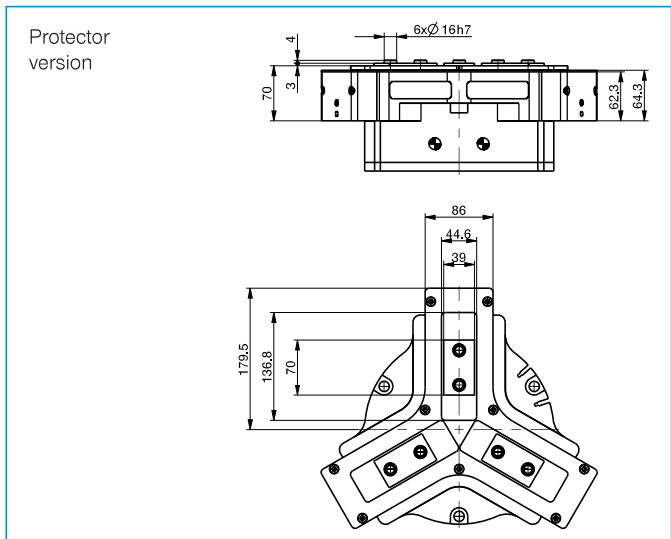
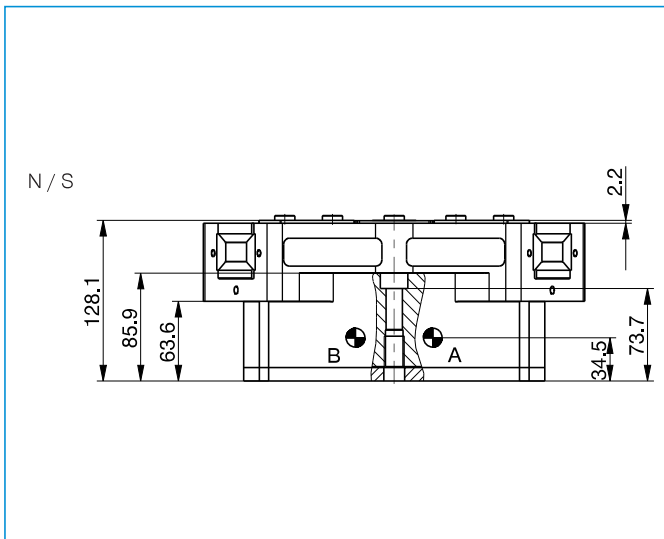
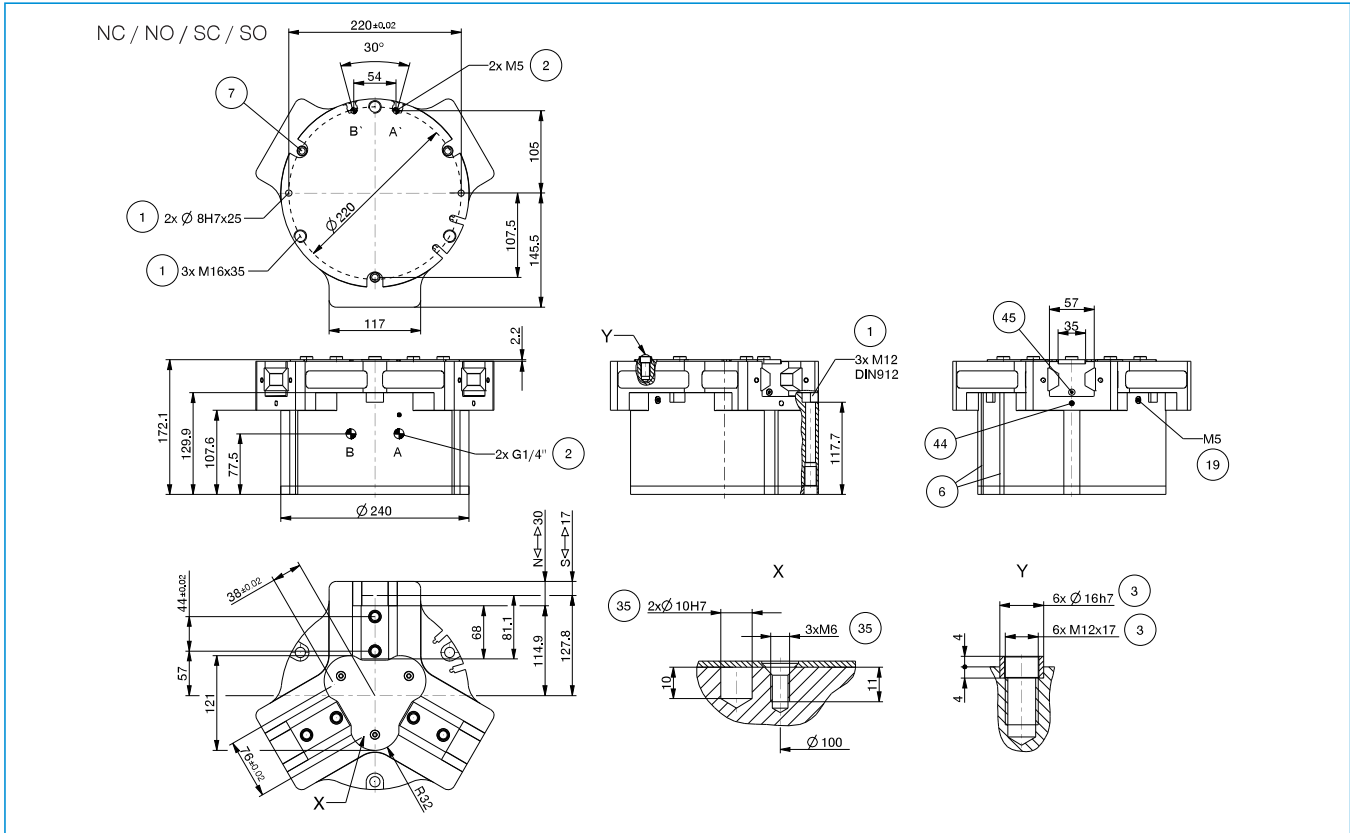
Technical Data - High Temperature Protector Version

Order no.	GPD5030N-24-A	GPD5030NC-24-A	GPD5030NO-24-A	GPD5030S-24-A	GPD5030SC-24-A	GPD5030SO-24-A
Operating temperature [°C]	-10 ... +130	-10 ... +130	-10 ... +130	-10 ... +130	-10 ... +130	-10 ... +130
Protection to IEC 60529	IP67**	IP67**	IP67**	IP67**	IP67**	IP67**
Weight [kg]	24	30,5	30,5	24	30,5	30,5

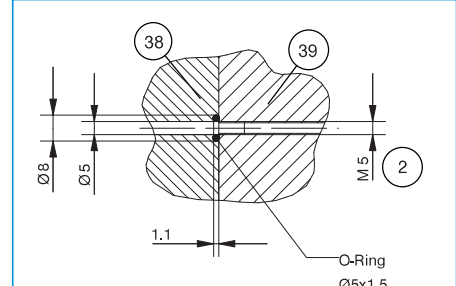
*All data measured at 6 bar

** with purged air (max. 0,5 bar)

TECHNICAL DRAWINGS

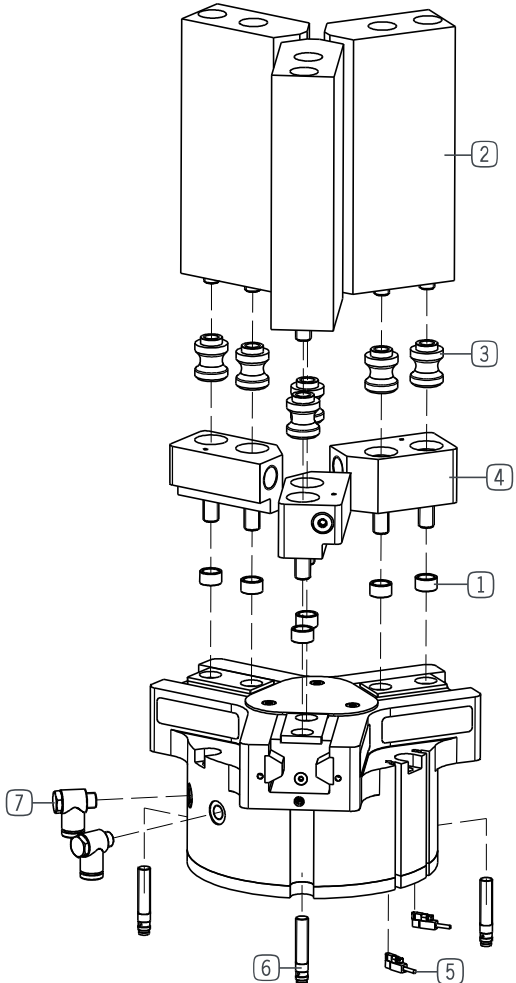


- ① Gripper attachment
- ② Energy supply
- ③ Fixing for gripper finger
- ⑥ Integrated slot for magnetic field sensor
- ⑦ Mounting block
- ⑱ Air purge connection option
- ⑳ Attachment option for customer-specific fittings
- ㉔ Adapter
- ㉔ Gripper
- ④④ Clamp for sensor
- ④⑤ Switch cam adjustment
- Ⓐ Air connection (close)
- Ⓑ Air connection (open)
- Ⓐ Air connection, alternative (close)
- Ⓑ Air connection, alternative (open)



3-JAW CONCENTRIC GRIPPERS

INSTALLATION SIZE GPD5030



▶ INCLUDED IN DELIVERY



Centering Disc

030529

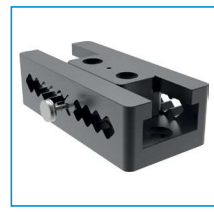
▶ RECOMMENDED ACCESSORIES



2 Universal jaw aluminium
UB5030AL



2 Universal jaw steel
UB5030ST



Aluminum adjustment jaw
EB5030AL



Steel adjustment jaw
EB5030ST



3 Changeable jaw, loose-part-set
WB5030L



4 Changeable jaw, fix-part
WB5030F



Pressure piece N / S
ADS5030-01



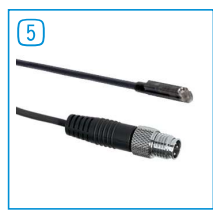
Pressure piece NC / NO / SC / SO
ADS5030-02



6 Inductive proximity switch - Connector M8
NJ8-E2S



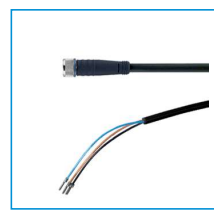
5 Magnetic field sensor Angled Cable 0,3 m - Connector M8
MFS103SKHC



5 Magnetic field sensor Straight Cable 0,3 m - Connector M8
MFS204SKHC



5 2-Position-Sensor Cable 0,3 m - Connector M8
MFSP2SKHC-02



Plug-in connector Straight Cable 5m - Socket M8 (female)
KAG500

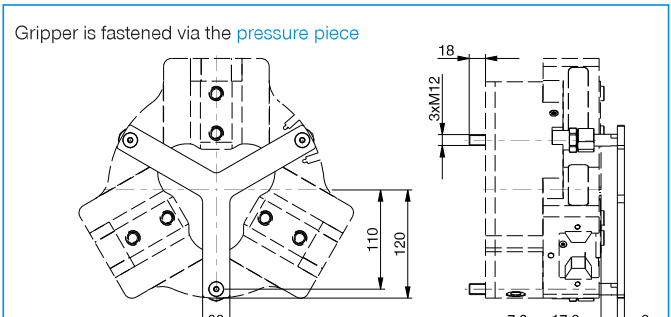
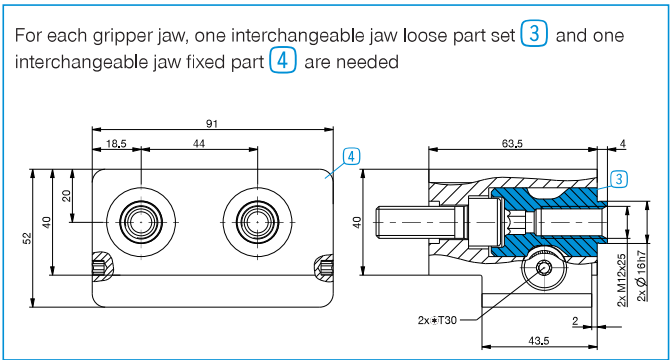
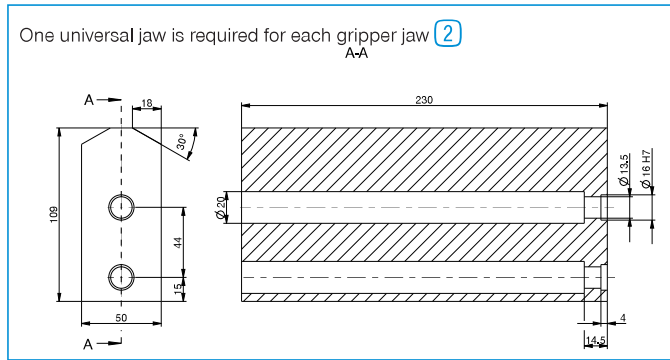


7 Angled Fittings - Quick Connect Style
WV1-4X8



Pressure Safety Valve
DSV1-8

▶ TECHNICAL DRAWINGS ACCESSORIES



3-JAW CONCENTRIC GRIPPERS

INSTALLATION SIZE GPD5035

**COMING
SOON**

▶ PRODUCT SPECIFICATIONS



▶ Forces and moments

Displays static forces and moments that can also have an effect, besides the gripping force.



Mr [Nm]	260
Mx [Nm]	430
My [Nm]	450
Fa [N]	10400

▶ TECHNICAL DATA

Order no.	▶ Technical Data*					
	GPD5035N-00-A	GPD5035NC-00-A	GPD5035NO-00-A	GPD5035S-00-A	GPD5035SC-00-A	GPD5035SO-00-A
Stroke per jaw [mm]	35	35	35	20	20	20
Gripping force in closing [N]	16600	23300		31500	44200	
Gripping force in opening [N]	17100		23800	32500		45200
Gripping force secured by spring min. [N]		6700	6700		12700	12700
Closing time [s]	1.2	1.1	2.3	1.2	1.1	2.3
Opening time [s]	1.2	2.3	1.2	1.2	2.3	1.2
Permissible weight per jaw max [kg]	12.5	12.5	12.5	12.5	12.5	12.5
Length of the gripper fingers max. [mm]	250	225	225	225	200	200
Repetition accuracy +/- [mm]	0.05	0.05	0.05	0.05	0.05	0.05
Operating pressure min. [bar]	3	4	4	3	4	4
Operating pressure max. [bar]	8	6.5	6.5	8	6.5	6.5
Operating temperature [°C]	-10 ... +90	-10 ... +90	-10 ... +90	-10 ... +90	-10 ... +90	-10 ... +90
Air volume per cycle [cm³]	2904	5477	5477	2904	5477	5477
Protection to IEC 60529	IP64	IP64	IP64	IP64	IP64	IP64
Weight [kg]	37.8	42	42	37.8	42	42

Order no.	▶ Technical Data - High Temperature Version					
	GPD5035N-20-A	GPD5035NC-20-A	GPD5035NO-20-A	GPD5035S-20-A	GPD5035SC-20-A	GPD5035SO-20-A
Operating temperature [°C]	-10 ... +130	-10 ... +130	-10 ... +130	-10 ... +130	-10 ... +130	-10 ... +130

Order no.	▶ Technical Data - Protector Version					
	GPD5035N-21-A	GPD5035NC-21-A	GPD5035NO-21-A	GPD5035S-21-A	GPD5035SC-21-A	GPD5035SO-21-A
Protection to IEC 60529	IP67**	IP67**	IP67**	IP67**	IP67**	IP67**
Weight [kg]	43.8	48	48	43.8	48	48

Order no.	▶ Technical Data - High Temperature Protector Version					
	GPD5035N-24-A	GPD5035NC-24-A	GPD5035NO-24-A	GPD5035S-24-A	GPD5035SC-24-A	GPD5035SO-24-A
Operating temperature [°C]	-10 ... +130	-10 ... +130	-10 ... +130	-10 ... +130	-10 ... +130	-10 ... +130
Protection to IEC 60529	IP67**	IP67**	IP67**	IP67**	IP67**	IP67**
Weight [kg]	43.8	48	48	43.8	48	48

*All data measured at 6 bar

** with purged air (max. 0,5 bar)

3-JAW CONCENTRIC GRIPPERS

INSTALLATION SIZE GPD5045

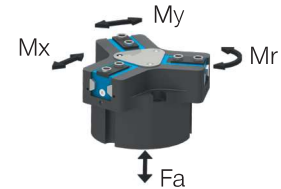
COMING
SOON

▶ PRODUCT SPECIFICATIONS



▶ Forces and moments

Displays static forces and moments that can also have an effect, besides the gripping force.



Mr [Nm]	390
Mx [Nm]	580
My [Nm]	600
Fa [N]	11500

▶ TECHNICAL DATA

Order no.	▶ Technical Data*					
	GPD5045N-00-A	GPD5045NC-00-A	GPD5045NO-00-A	GPD5045S-00-A	GPD5045SC-00-A	GPD5045SO-00-A
Stroke per jaw [mm]	45	45	45	26	26	26
Gripping force in closing [N]	27900	36900		53500	70600	
Gripping force in opening [N]	28850		37850	55400		72500
Gripping force secured by spring min. [N]		9000	9000		17100	17100
Closing time [s]	2.0	1.7	2.8	2.0	1.7	2.8
Opening time [s]	2.0	2.8	1.7	2.0	2.8	1.7
Permissible weight per jaw max [kg]	12.5	12.5	12.5	12.5	12.5	12.5
Length of the gripper fingers max. [mm]	250	225	225	225	200	200
Repetition accuracy +/- [mm]	0.05	0.05	0.05	0.05	0.05	0.05
Operating pressure min. [bar]	3	4	4	3	4	4
Operating pressure max. [bar]	8	6.5	6.5	8	6.5	6.5
Operating temperature [°C]	-10 ... +90	-10 ... +90	-10 ... +90	-10 ... +90	-10 ... +90	-10 ... +90
Air volume per cycle [cm³]	6500	12400	12400	6500	12400	12400
Protection to IEC 60529	IP64	IP64	IP64	IP64	IP64	IP64
Weight [kg]	78.6	86.5	86.5	80	88	88

Order no.	▶ Technical Data - High Temperature Version					
	GPD5045N-20-A	GPD5045NC-20-A	GPD5045NO-20-A	GPD5045S-20-A	GPD5045SC-20-A	GPD5045SO-20-A
Operating temperature [°C]	-10 ... +130	-10 ... +130	-10 ... +130	-10 ... +130	-10 ... +130	-10 ... +130

Order no.	▶ Technical Data - Protector Version					
	GPD5045N-21-A	GPD5045NC-21-A	GPD5045NO-21-A	GPD5045S-21-A	GPD5045SC-21-A	GPD5045SO-21-A
Protection to IEC 60529	IP67**	IP67**	IP67**	IP67**	IP67**	IP67**
Weight [kg]	90.5	98.4	98.4	91.9	99.9	99.9

Order no.	▶ Technical Data - High Temperature Protector Version					
	GPD5045N-24-A	GPD5045NC-24-A	GPD5045NO-24-A	GPD5045S-24-A	GPD5045SC-24-A	GPD5045SO-24-A
Operating temperature [°C]	-10 ... +130	-10 ... +130	-10 ... +130	-10 ... +130	-10 ... +130	-10 ... +130
Protection to IEC 60529	IP67**	IP67**	IP67**	IP67**	IP67**	IP67**
Weight [kg]	90.5	98.4	98.4	91.9	99.9	99.9

*All data measured at 6 bar

** with purged air (max. 0,5 bar)

3-JAW CONCENTRIC GRIPPERS

OVERVIEW OF SERIES



▶ ELECTRICAL



Series GED1300

336



Series GED5000

342

3-JAW CONCENTRIC GRIPPERS

SERIES GED1300

▶ PRODUCT ADVANTAGES



“The robust”

▶ Proven T slot guide

This established and proven guiding technology stands for the highest process reliability like no other

▶ Integrated position sensing

You can detect the gripper status safely via the motor current using your control system

▶ The simplest activation

The included control unit is controlled easily via plus and minus buttons, while you can optionally adjust the gripping force using the potentiometer

▶ THE BEST PRODUCT FOR YOUR APPLICATION



▶ Our products love the challenge!

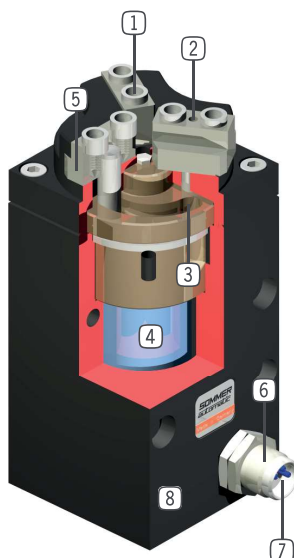
Extreme conditions, all over the world—our tried and tested components and systems give you limitless possibilities:

Find the best product for your specific use:

www.zimmer-group.com



► BENEFITS IN DETAIL



- 1 Removable centering sleeves**
 - quick and economical positioning of the gripper fingers
- 2 Gripper jaw**
 - hardened steel
 - individual gripper finger mounting
- 3 Positively driven curve disc**
 - synchronized the movement of the gripper jaws
 - high force transfer
 - rapid stroke and force stroke (version with 6 mm stroke per jaw)
- 4 Drive**
 - electric drive by 24 VDC step motor
- 5 Guide**
 - precise T-Slot guide for high forces and moments capacity
- 6 Position sensing**
 - measured at the end of stroke via power increase on the motor
- 7 Energy supply**
 - standardized interface M8 round plug connection signal control line (use only cable without diode)
- 8 Robust, lightweight housing**
 - Hard-coated aluminum alloy

► SERIES CHARACTERISTICS



Number of installation sizes	2
Stroke per jaw	2 mm - 6 mm
Gripping force	140 N - 350 N
Weight	0,25 mm - 1,7 mm
AP class	3



5 million maintenance-free cycles (max.)

IP 40

IP40

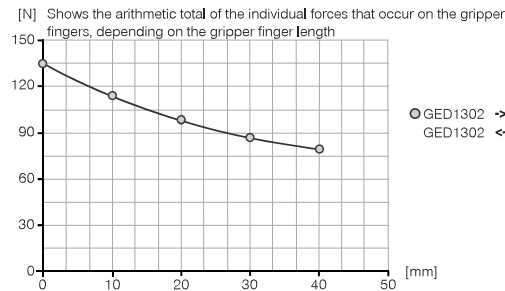
3-JAW CONCENTRIC GRIPPERS

INSTALLATION SIZE GED1302

▶ PRODUCT SPECIFICATIONS

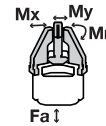


▶ Gripping force diagram



▶ Forces and moments

Displays static forces and moments that can also have an effect, besides the gripping force.



Mr [Nm]	5
Mx [Nm]	5
My [Nm]	4
Fa [N]	120

▶ INCLUDED IN DELIVERY



Centering Disc

DST02900



Control

ELEGR01

▶ RECOMMENDED ACCESSORIES



Plug-in connector Straight
Cable 5m - Socket M8
(female)

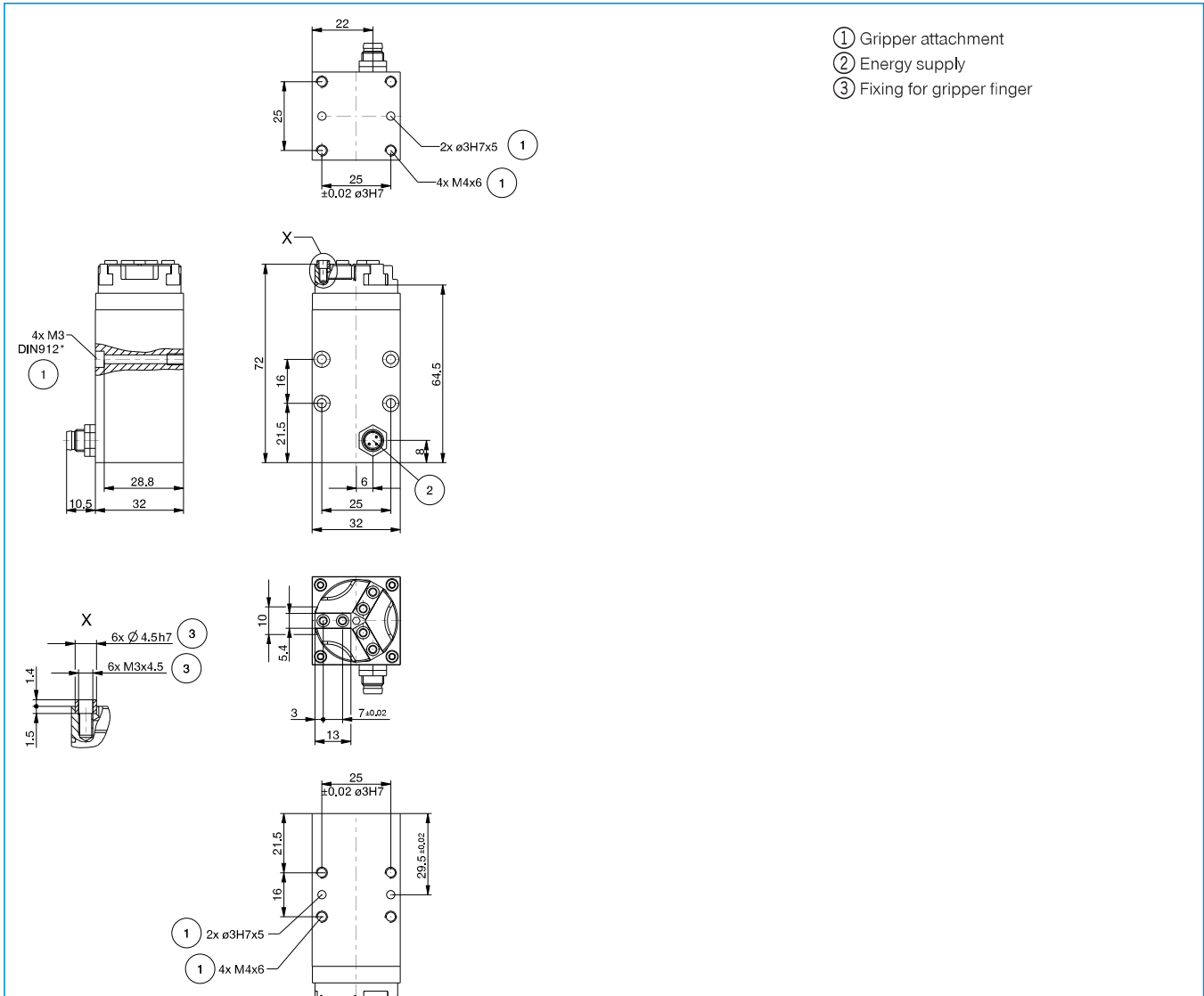
KAG500



Plug-in connector Angled
Cable 5m - Socket M8
(female)

KAW500

Order no.	Technical Data
Stroke per jaw [mm]	2
Gripping force in closing (adjustable) max. [N]	140
Gripping force in opening (adjustable) max. [N]	140
Closing time [s]	0.2
Opening time [s]	0.2
Repetition accuracy +/- [mm]	0.1
Voltage [V]	24
Max. current regulable by potentiometer [mA]	140
Operating temperature min. [°C]	5
Operating temperature max. [°C]	+80
Protection to IEC 60529	IP40
Weight [kg]	0.25



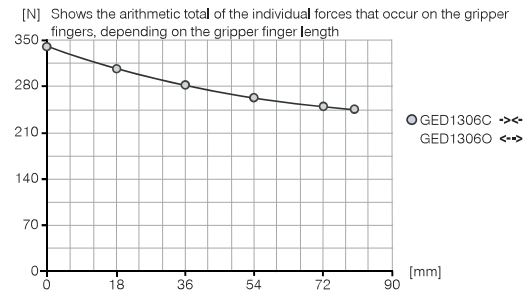
3-JAW CONCENTRIC GRIPPERS

INSTALLATION SIZE GED1306

▶ PRODUCT SPECIFICATIONS

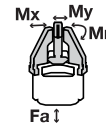


▶ Gripping force diagram



▶ Forces and moments

Displays static forces and moments that can also have an effect, besides the gripping force.



Mr [Nm]	30
Mx [Nm]	25
My [Nm]	20
Fa [N]	800

▶ INCLUDED IN DELIVERY



Centering Disc

DST40800



Control

ELEGR04

▶ RECOMMENDED ACCESSORIES



Plug-in connector Straight
Cable 5m - Socket M8
(female)

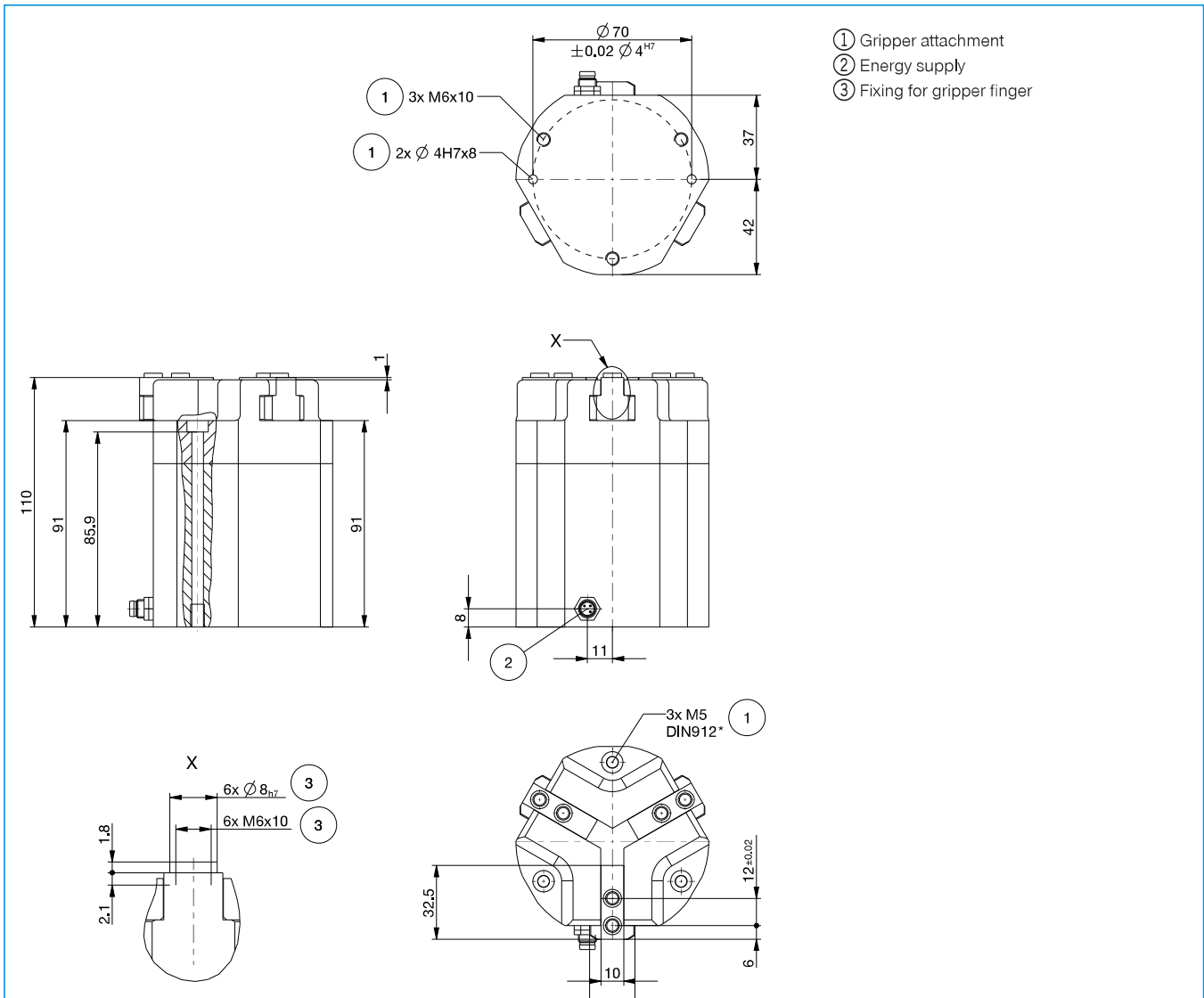
KAG500



Plug-in connector Angled
Cable 5m - Socket M8
(female)

KAW500

Order no.	► Technical Data	
	GED1306C	GED1306O
Stroke per jaw [mm]	6	6
Gripping force in closing (adjustable) max. [N]	350	
Gripping force in opening (adjustable) max. [N]		350
Closing time [s]	0.4	0.4
Opening time [s]	0.4	0.4
Repetition accuracy +/- [mm]	0.02	0.02
Voltage [V]	24	24
Max. current regulable by potentiometer [mA]	210	210
Operating temperature min. [°C]	5	5
Operating temperature max. [°C]	+80	+80
Protection to IEC 60529	IP40	IP40
Weight [kg]	1.7	1.7



3-JAW CONCENTRIC GRIPPERS

SERIES GED5000

▶ PRODUCT ADVANTAGES



“ALL in ONE”

- ▶ Approximately the same gripping force as a comparable pneumatic gripper
- ▶ Self locking mechanism in case of power drop
- ▶ Same connection hole patterns as a comparable pneumatic gripper
- ▶ Plug and play – single-cable solution, supports incredibly easy control using I/O signals or IO-Link
- ▶ Integrated ACM control module - option of configuring gripping force, travel time and switching points
- ▶ Protected from corrosion and sealed in accordance with IP64
- ▶ Brushless DC motor – up to 30 million cycles without maintenance

▶ THE BEST PRODUCT FOR YOUR APPLICATION



- ▶ **Our products love the challenge!**
Extreme conditions, all over the world—our tried and tested components and systems give you limitless possibilities:
Find the best product for your specific use:
www.zimmer-group.com

HOW TO ORDER CORRECTLY

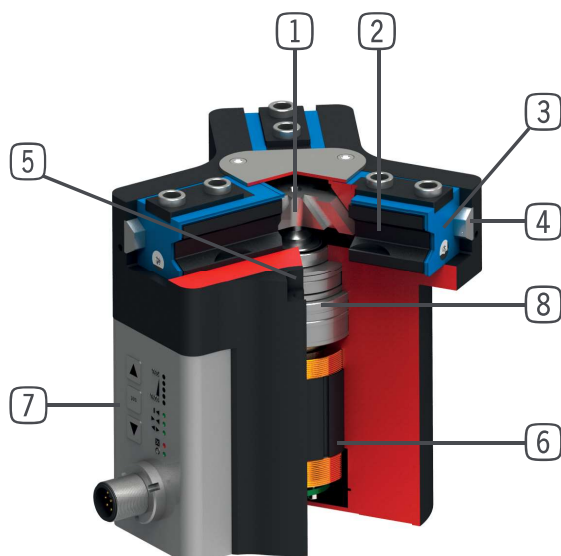
- ▶ The product order numbers are arranged according to this diagram:

Order no.	GED5008	<input type="checkbox"/>	-00	-A
Digital control		IO		
IO-Link control		IL		



► BENEFITS IN DETAIL

1



- 1 Wedge hook mechanism**
 - high forces and moments capacity
 - Synchronized gripper jaw movement
- 2 Gripper jaw**
 - Gripper fingers mounted using removable centring sleeves
 - Lubricated for life via incorporated lubrication slots
- 3 Dual lip seal**
 - Enables IP64
 - Prevents grease from being squeezed out, increasing service life
- 4 Steel Linear Guide**
 - Steel in steel guide
 - Enables use of extremely long gripper fingers
- 5 Mounting and positioning**
 - Alternatively, on several sides for customized mounting
 - Pneumatic and electrical versions identical apart from height
- 6 BLDC motor**
 - Wear-resistant brushless DC motor
- 7 Advanced control module**
 - Integrated control module with single-cable solution
 - Gripping force, travel time and query programmable via the control panel on the housing
- 8 Drive train**
 - Combination of trapezoidal spindle and gear
 - Durable and robust

► SERIES CHARACTERISTICS



Number of installation sizes	3
Stroke per jaw	6 mm - 10 mm
Gripping force	540 N - 1900 N
Weight	1,09 kg - 2,33 kg
AP class	5



30 million maintenance-free cycles (max.)



Integrated sensing



IP64



Corrosion resistance



Self locking mechanism



Purged air

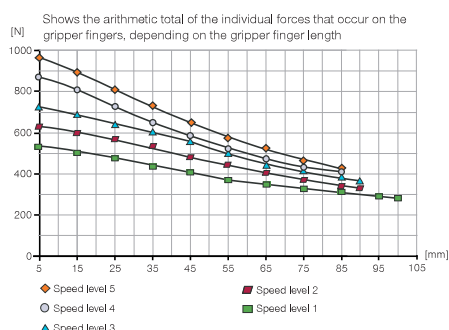
3-JAW CONCENTRIC GRIPPERS

INSTALLATION SIZE GED5006

▶ PRODUCT SPECIFICATIONS



▶ Gripping force diagram



▶ Forces and moments

Displays static forces and moments that can also have an effect, besides the gripping force.



Mr [Nm]	43
Mx [Nm]	70
My [Nm]	46
Fa [N]	1250

▶ TECHNICAL DATA - BASIC VERSION

▶ Technical Data

Order no.	GED5006IO-00-A	GED5006IL-00-A
Control	IO	IO-Link
Stroke per jaw [mm]	6	6
Drive	BLDC motor	BLDC motor
Self locking mechanism	mechanical	mechanical
Control time [s]	0,035	0,035
Permissible weight per jaw max [kg]	0,4	0,4
Length of the gripper fingers max. [mm]	100	100
Repetition accuracy +/- [mm]	0,01	0,01
Voltage [V]	24	24
Current consumption max. [A]	5	5
Operating temperature [°C]	5 ... 50	5 ... 50
Protection to IEC 60529	IP64	IP64
Weight [kg]	1,09	1,09

▶ TECHNICAL DATA - MODES

▶ Technical data - N mode

Order no.	GED5006IO-00-A	GED5006IL-00-A
Gripping force → ← min. / max. [N]	540 / 960	540 / 960
Gripping force ←→ min. / max. [N]	540 / 960	540 / 960
Travel time → ← min. / max. [s]	0,15 / 0,22	0,15 / 0,22
Travel time ←→ min. / max. [s]	0,15 / 0,22	0,15 / 0,22

▶ Technical data - NC mode

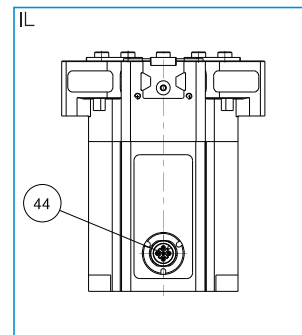
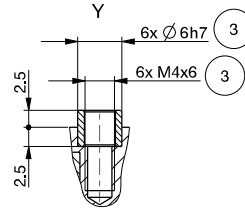
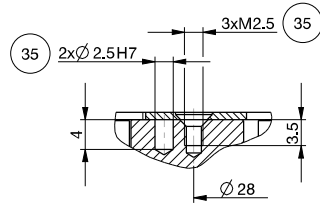
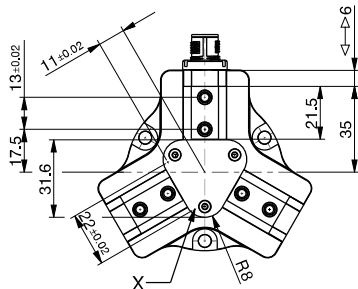
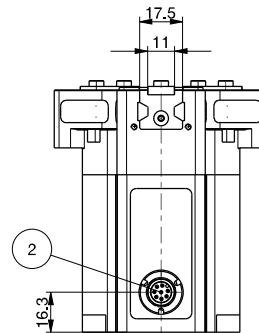
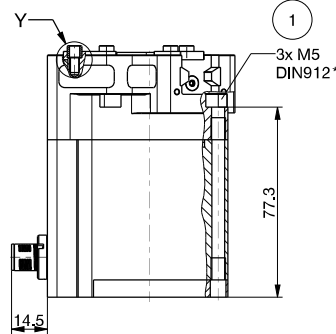
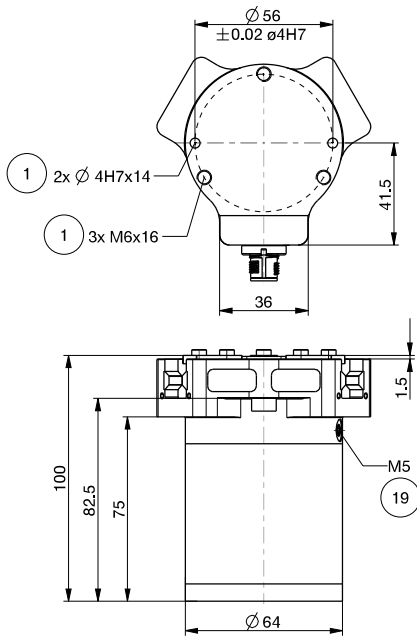
Order no.	GED5006IO-00-A	GED5006IL-00-A
Gripping force → ← min. / max. [N]	540 / 960	540 / 960
Gripping force ←→ min. / max. [N]	-	-
Travel time → ← min. / max. [s]	0,15 / 0,22	0,15 / 0,22
Travel time ←→ min. / max. [s]	0,13	0,13

▶ Technical data - NO mode

Order no.	GED5006IO-00-A	GED5006IL-00-A
Gripping force → ← min. / max. [N]	-	-
Gripping force ←→ min. / max. [N]	540 / 960	540 / 960
Travel time → ← min. / max. [s]	0,13	0,13
Travel time ←→ min. / max. [s]	0,15 / 0,22	0,15 / 0,22

▶ TECHNICAL DRAWINGS

- ① Gripper attachment
- ② Energy supply (M12, 8-pole)
- ③ Fixing for gripper finger
- ⑱ Air purge connection option
- ⑳ Attachment option for customer-specific fittings
- ㉔ Energy supply IO-Link (M12, 5-pole)

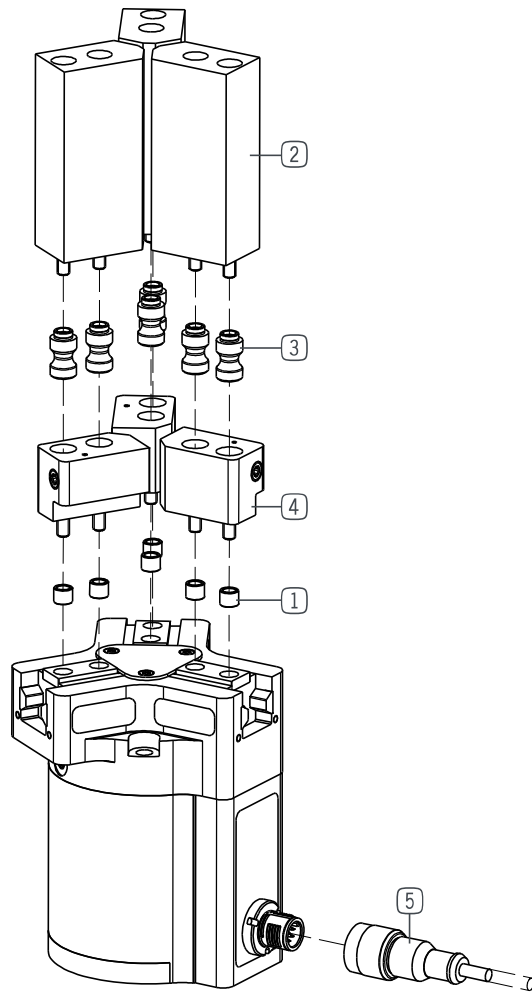


3-JAW CONCENTRIC GRIPPERS

INSTALLATION SIZE GED5006

1

Installation size GED5006 / 3-Jaw Concentric Grippers / electric / Grippers



▶ INCLUDED IN DELIVERY



Centering Disc

024230

▶ RECOMMENDED ACCESSORIES



Universal jaw aluminium

UB5006AL



Universal jaw steel

UB5006ST



Aluminum adjustment jaw

EB5006AL



Steel adjustment jaw

EB5006ST



Changeable jaw, loose-part-set

WB5006L



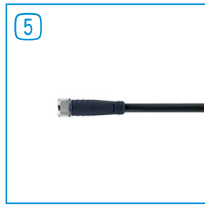
Changeable jaw, fix-part

WB5006F



Pressure piece

ADS5006-05



Plug-in Connector Straight Cable 10 m - Female M12

KAG1000B8



Plug-in Connector Angled Cable 10 m - Female M12

KAW1000B8



Plug-in connector straight 5m - plug / socket M12

KAG500L

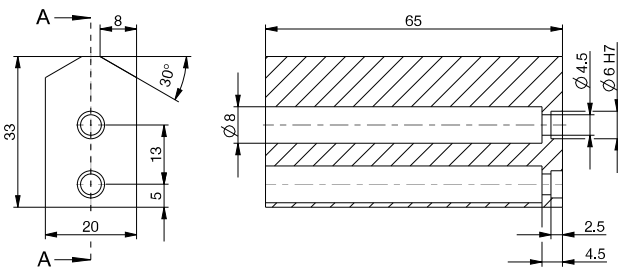


Y-Plug-in Connector

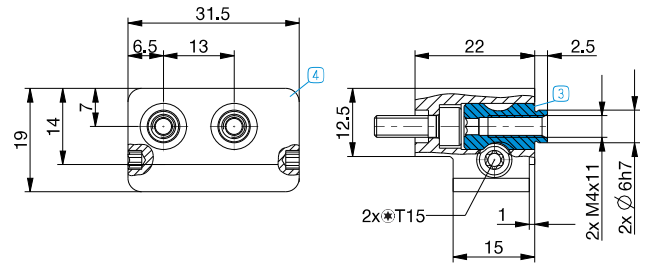
B12-Y-5IL

▶ TECHNICAL DRAWINGS ACCESSORIES

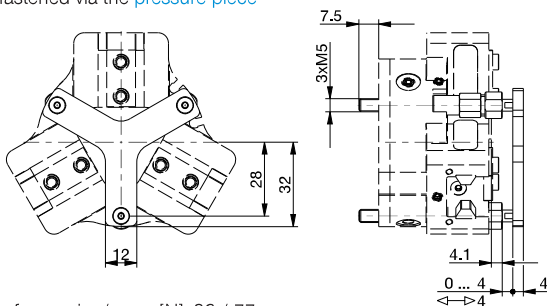
One universal jaw is required for each gripper jaw (2) A-A



For each gripper jaw, one interchangeable jaw loose part set (3) and one interchangeable jaw fixed part (4) are needed



Gripper is fastened via the pressure piece



Total spring force min. / max. [N]: 36 / 77

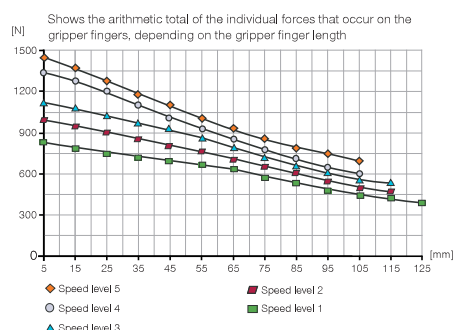
3-JAW CONCENTRIC GRIPPERS

INSTALLATION SIZE GED5008

▶ PRODUCT SPECIFICATIONS

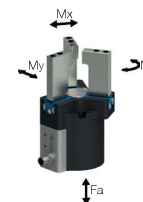


▶ Gripping force diagram



▶ Forces and moments

Displays static forces and moments that can also have an effect, besides the gripping force.



Mr [Nm]	60
Mx [Nm]	105
My [Nm]	65
Fa [N]	1900

▶ TECHNICAL DATA - BASIC VERSION

▶ Technical Data

Order no.	GED5008IO-00-A	GED5008IL-00-A
Control	IO	IO-Link
Stroke per jaw [mm]	8	8
Drive	BLDC motor	BLDC motor
Self locking mechanism	mechanical	mechanical
Control time [s]	0,035	0,035
Permissible weight per jaw max [kg]	0,7	0,7
Length of the gripper fingers max. [mm]	125	125
Repetition accuracy +/- [mm]	0,01	0,01
Voltage [V]	24	24
Current consumption max. [A]	5	5
Operating temperature [°C]	5 ... 50	5 ... 50
Protection to IEC 60529	IP64	IP64
Weight [kg]	1,66	1,66

▶ TECHNICAL DATA - MODES

▶ Technical data - N mode

Order no.	GED5008IO-00-A	GED5008IL-00-A
Gripping force → ← min. / max. [N]	800 / 1450	800 / 1450
Gripping force ←→ min. / max. [N]	800 / 1450	800 / 1450
Travel time → ← min. / max. [s]	0,18 / 0,29	0,18 / 0,29
Travel time ←→ min. / max. [s]	0,18 / 0,29	0,18 / 0,29

▶ Technical data - NC mode

Order no.	GED5008IO-00-A	GED5008IL-00-A
Gripping force → ← min. / max. [N]	800 / 1450	800 / 1450
Gripping force ←→ min. / max. [N]	-	-
Travel time → ← min. / max. [s]	0,18 / 0,29	0,18 / 0,29
Travel time ←→ min. / max. [s]	0,15	0,15

▶ Technical data - NO mode

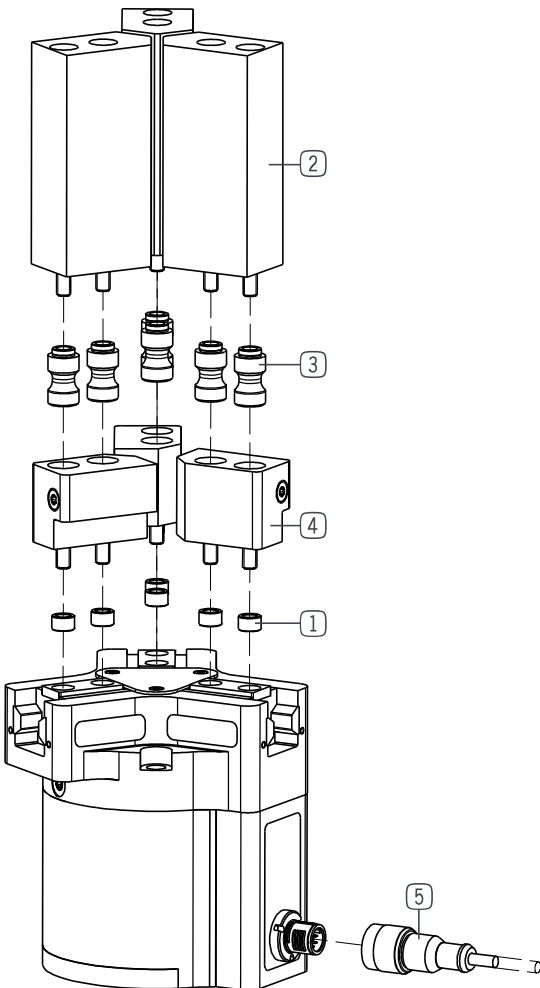
Order no.	GED5008IO-00-A	GED5008IL-00-A
Gripping force → ← min. / max. [N]	-	-
Gripping force ←→ min. / max. [N]	800 / 1450	800 / 1450
Travel time → ← min. / max. [s]	0,15	0,15
Travel time ←→ min. / max. [s]	0,18 / 0,29	0,18 / 0,29

3-JAW CONCENTRIC GRIPPERS

INSTALLATION SIZE GED5008

1

Installation size GED5008 / 3-Jaw Concentric Grippers / electric / Grippers



▶ INCLUDED IN DELIVERY



Centering Disc

024231

▶ RECOMMENDED ACCESSORIES



Universal jaw aluminium

UB5008AL



Universal jaw steel

UB5008ST



Aluminum adjustment jaw

EB5008AL



Steel adjustment jaw

EB5008ST



Changeable jaw, loose-part-set

WB5008L



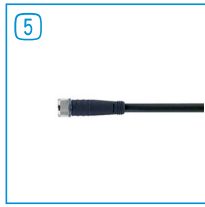
Changeable jaw, fix-part

WB5008F



Pressure piece

ADS5008-05



Plug-in Connector Straight Cable 10 m - Female M12

KAG1000B8



Plug-in Connector Angled Cable 10 m - Female M12

KAW1000B8



Plug-in connector straight 5m - plug / socket M12

KAG500L

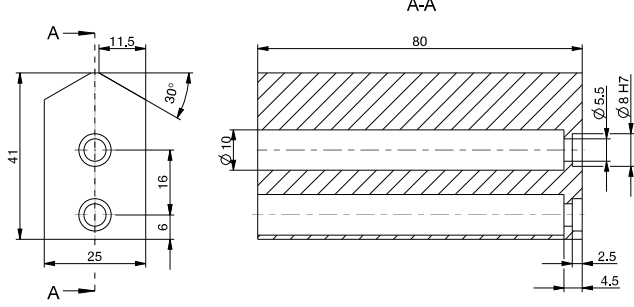


Y-Plug-in Connector

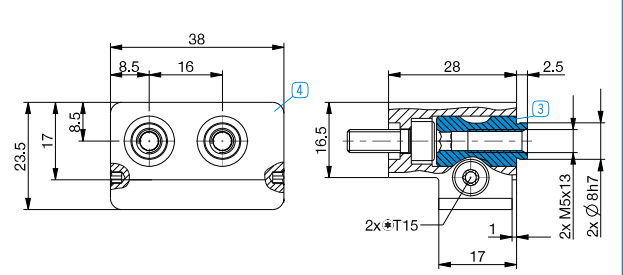
B12-Y-5IL

▶ TECHNICAL DRAWINGS ACCESSORIES

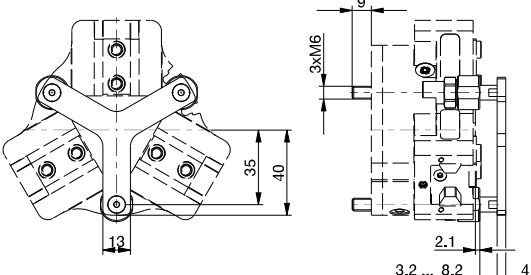
One universal jaw is required for each gripper jaw (2)



For each gripper jaw, one interchangeable jaw loose part set (3) and one interchangeable jaw fixed part (4) are needed



Gripper is fastened via the pressure piece



Total spring force min. / max. [N]: 62 / 124

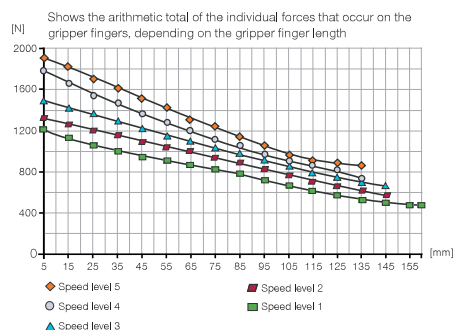
3-JAW CONCENTRIC GRIPPERS

INSTALLATION SIZE GED5010

▶ PRODUCT SPECIFICATIONS



▶ Gripping force diagram



▶ Forces and moments

Displays static forces and moments that can also have an effect, besides the gripping force.



Mr [Nm]	75
Mx [Nm]	125
My [Nm]	95
Fa [N]	2700

▶ TECHNICAL DATA - BASIC VERSION

▶ Technical Data

Order no.	GED5010IO-00-A	GED5010IL-00-A
Control	IO	IO-Link
Stroke per jaw [mm]	10	10
Drive	BLDC motor	BLDC motor
Self locking mechanism	mechanical	mechanical
Control time [s]	0,035	0,035
Permissible weight per jaw max [kg]	1,3	1,3
Length of the gripper fingers max. [mm]	160	160
Repetition accuracy +/- [mm]	0,01	0,01
Voltage [V]	24	24
Current consumption max. [A]	5	5
Operating temperature [°C]	5 ... 50	5 ... 50
Protection to IEC 60529	IP64	IP64
Weight [kg]	2,33	2,33

▶ TECHNICAL DATA - MODES

▶ Technical data - N mode

Order no.	GED5010IO-00-A	GED5010IL-00-A
Gripping force → ← min. / max. [N]	1200 / 1900	1200 / 1900
Gripping force ←→ min. / max. [N]	1200 / 1900	1200 / 1900
Travel time → ← min. / max. [s]	0,21 / 0,32	0,21 / 0,32
Travel time ←→ min. / max. [s]	0,21 / 0,32	0,21 / 0,32

▶ Technical data - NC mode

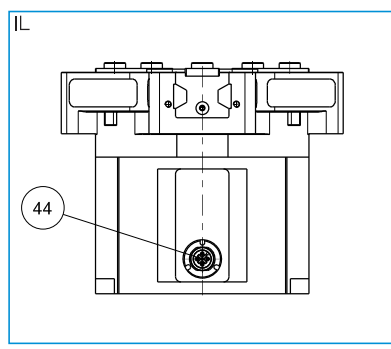
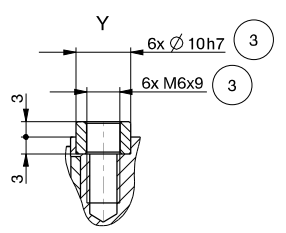
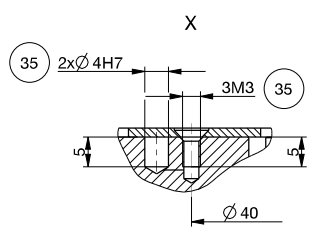
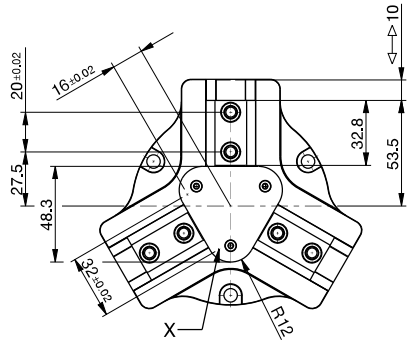
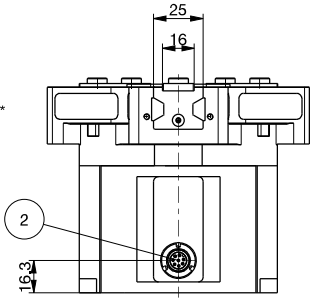
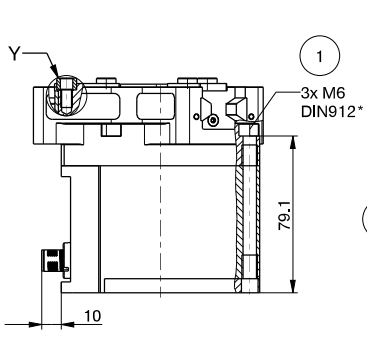
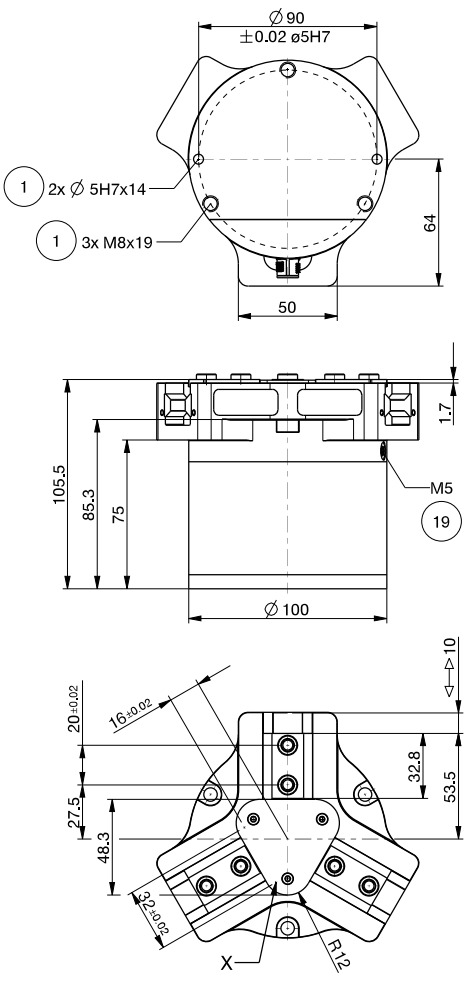
Order no.	GED5010IO-00-A	GED5010IL-00-A
Gripping force → ← min. / max. [N]	1200 / 1900	1200 / 1900
Gripping force ←→ min. / max. [N]	-	-
Travel time → ← min. / max. [s]	0,21 / 0,32	0,21 / 0,32
Travel time ←→ min. / max. [s]	0,16	0,16

▶ Technical data - NO mode

Order no.	GED5010IO-00-A	GED5010IL-00-A
Gripping force → ← min. / max. [N]	-	-
Gripping force ←→ min. / max. [N]	1200 / 1900	1200 / 1900
Travel time → ← min. / max. [s]	0,16	0,16
Travel time ←→ min. / max. [s]	0,21 / 0,32	0,21 / 0,32

► TECHNICAL DRAWINGS

- ① Gripper attachment
- ② Energy supply (M12, 8-pole)
- ③ Fixing for gripper finger
- ⑱ Air purge connection option
- ⑳ Attachment option for customer-specific fittings
- ㉔ Energy supply IO-Link (M12, 5-pole)

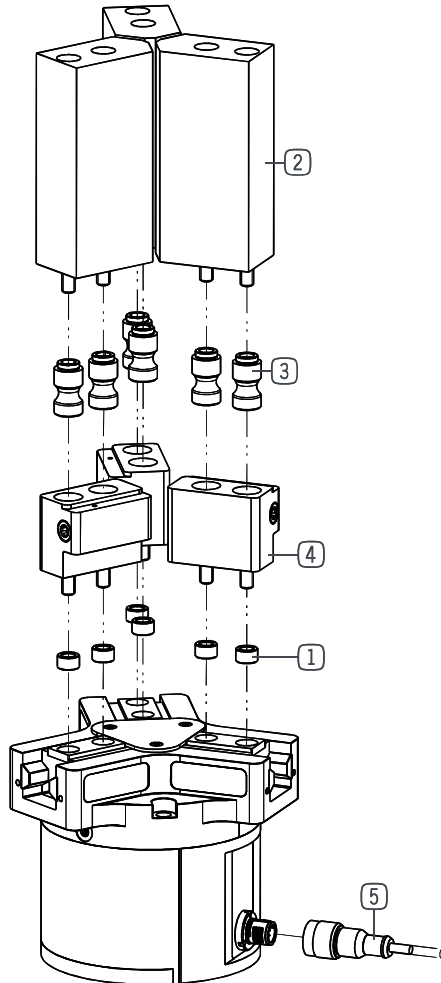


3-JAW CONCENTRIC GRIPPERS

INSTALLATION SIZE GED5010

1

Installation size GED5010 / 3-Jaw Concentric Grippers / electric / Grippers



► INCLUDED IN DELIVERY



Centering Disc

018187

► RECOMMENDED ACCESSORIES



Universal jaw aluminium

UB5010AL



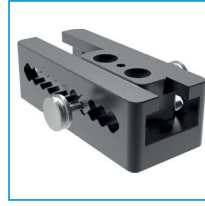
Universal jaw steel

UB5010ST



Aluminum adjustment jaw

EB5010AL



Steel adjustment jaw

EB5010ST



Changeable jaw, loose-part-set

WB5010L



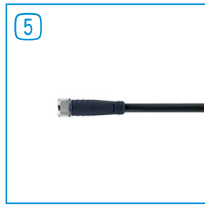
Changeable jaw, fix-part

WB5010F



Pressure piece

ADS5010-05



Plug-in Connector Straight Cable 10 m - Female M12

KAG1000B8



Plug-in Connector Angled Cable 10 m - Female M12

KAW1000B8



Plug-in connector straight 5m - plug / socket M12

KAG500IL

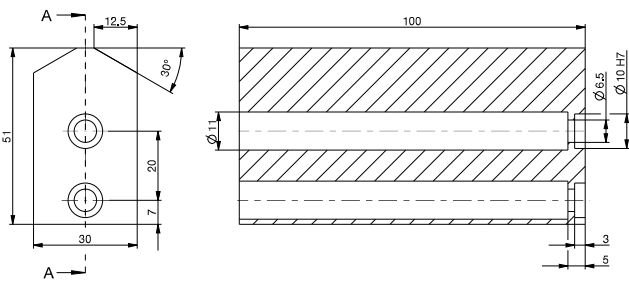


Y-Plugin Connector

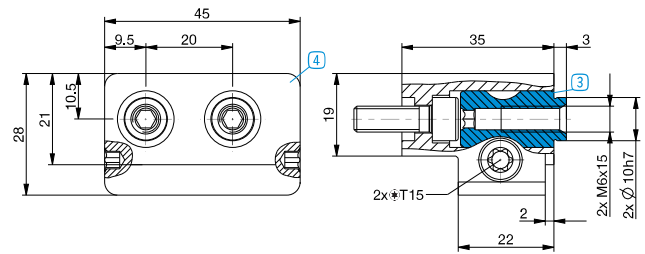
B12-Y-5IL

► TECHNICAL DRAWINGS ACCESSORIES

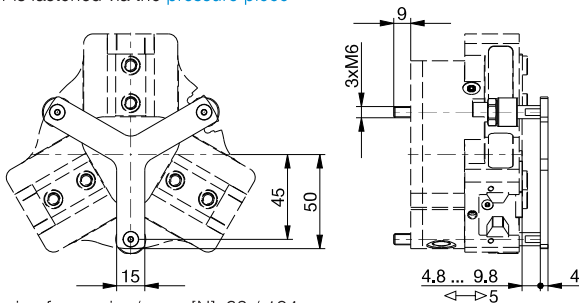
One universal jaw is required for each gripper jaw (2)



For each gripper jaw, one interchangeable jaw loose part set (3) and one interchangeable jaw fixed part (4) are needed



Gripper is fastened via the pressure piece



Total spring force min. / max. [N]: 62 / 124

3-JAW CONCENTRIC GRIPPERS WITH LONG STROKE

OVERVIEW OF SERIES



▶ PNEUMATIC



Series GD500

358

3-JAW CONCENTRIC GRIPPERS WITH LONG STROKE SERIES GD500

▶ PRODUCT ADVANTAGES



“The flat”

▶ **Reduced installation height due to horizontal drive**

Reduces the interference contours for your application

▶ **Proven T slot guide**

This established and proven guiding technology stands for the highest process reliability like no other

▶ **Failure-free continuous operation**

Our uncompromising “Made in Germany” quality guarantees up to 10 million maintenance-free gripping cycles

▶ THE BEST PRODUCT FOR YOUR APPLICATION



▶ **Our products love the challenge!**

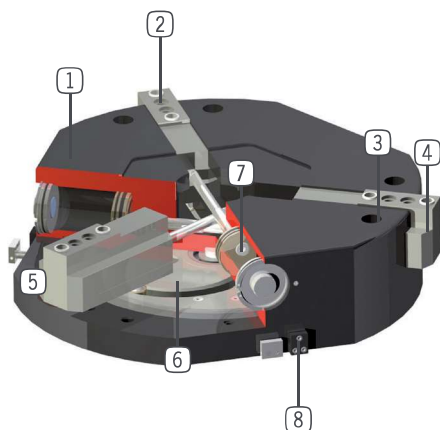
Extreme conditions, all over the world—our tried and tested components and systems give you limitless possibilities:

Find the best product for your specific use:

www.zimmer-group.com



► BENEFITS IN DETAIL



- ① **Robust, lightweight housing**
 - Hard-coated aluminum alloy
- ② **Removable centering sleeves**
 - quick and economical positioning of the gripper fingers
- ③ **Mounting and positioning**
- ④ **Gripper jaw**
 - ground, hardened steel
 - individual gripper finger mounting
- ⑤ **Precise T-Slot guide**
 - high forces and moments capacity
- ⑥ **Cam**
 - synchronized jaw movement
- ⑦ **Drive**
 - three double-acting pneumatic cylinders
- ⑧ **Mounting block**
 - mounting for inductive proximity switch

► SERIES CHARACTERISTICS



Number of installation sizes	3
Stroke per jaw	30 mm - 60 mm
Gripping force	1300 N - 2480 N
Weight	7,4 kg - 29 kg
AP class	3



10 million maintenance-free cycles (max.)



Inductive sensor



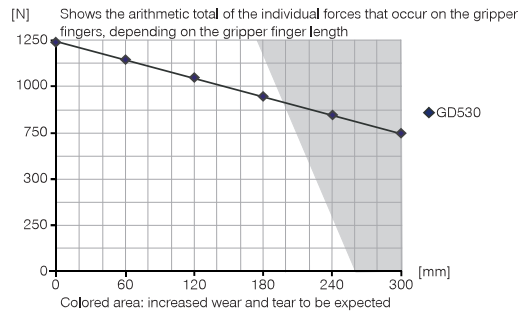
IP40

3-JAW CONCENTRIC GRIPPERS WITH LONG STROKE INSTALLATION SIZE GD530

▶ PRODUCT SPECIFICATIONS

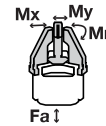


▶ Gripping force diagram



▶ Forces and moments

Displays static forces and moments that can also have an effect, besides the gripping force.



Mr [Nm]	300
Mx [Nm]	200
My [Nm]	300
Fa [N]	8000

▶ INCLUDED IN DELIVERY



Mounting block

KB8K



Centering Disc

DST41600

▶ RECOMMENDED ACCESSORIES



Inductive proximity switch
- Cable 5 m

NJ8-E2



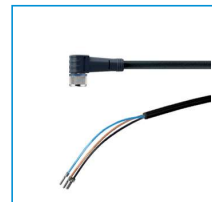
Inductive proximity switch
- Connector M8

NJ8-E2S



Plug-in connector Straight
Cable 5m - Socket M8
(female)

KAG500



Plug-in connector Angled
Cable 5m - Socket M8
(female)

KAW500



Straight Fittings - Quick
Connect Style

GV1-4X8



Angled Fittings - Quick
Connect Style

WV1-4X8



Quick Exhaust Valve

DEV08



Pressure Safety Valve

DSV1-8



Plug-in connector customiz-
able Straight - Connector M8

S8-G-3

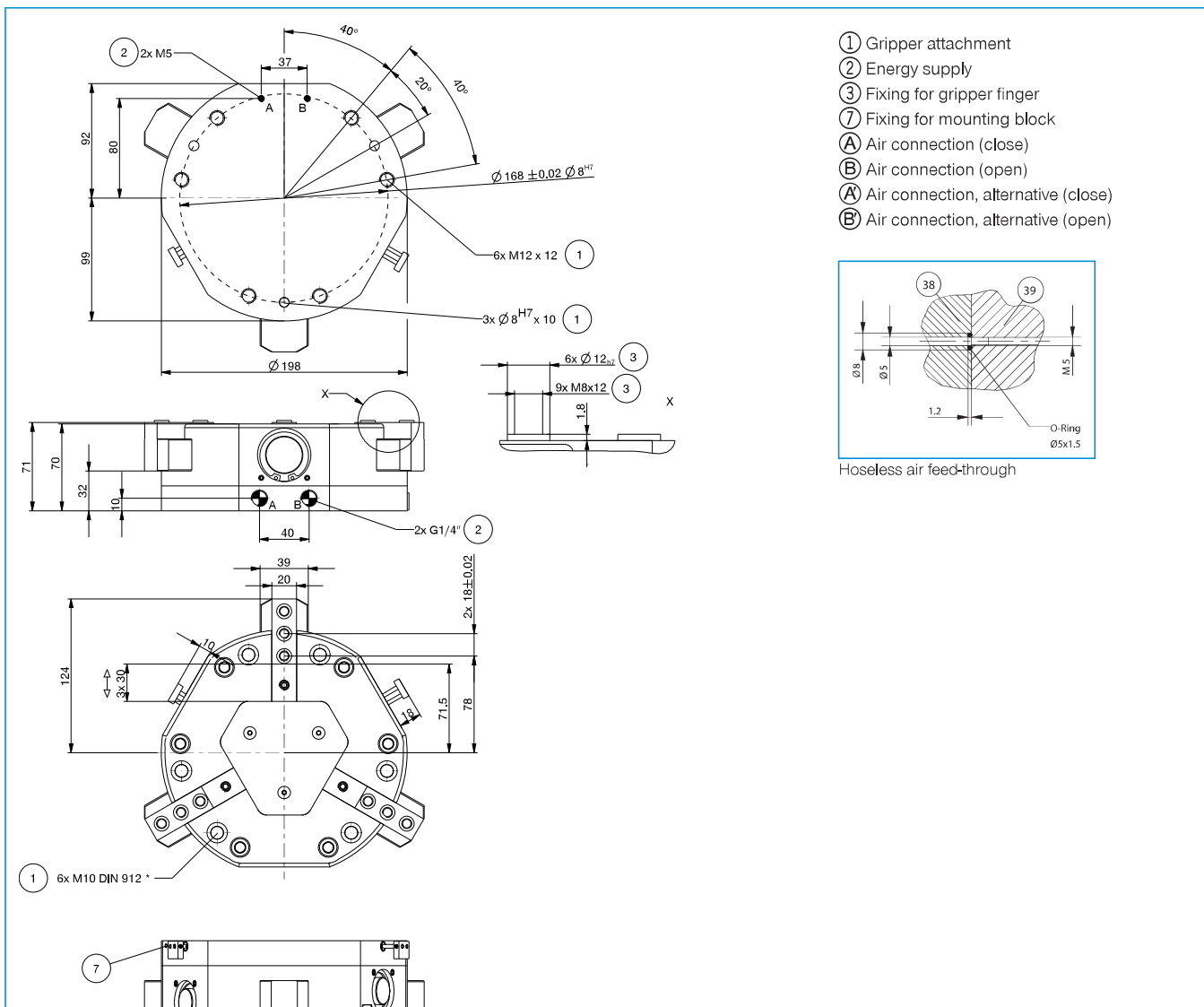


Plug-in connector customiz-
able Straight - Connector M12

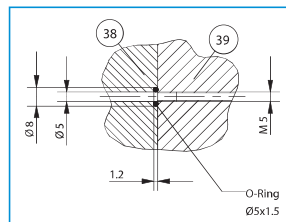
S12-G-3

Order no.	GD530
Stroke per jaw [mm]	30
Gripping force in closing [N]	1300
Gripping force in opening [N]	1300
Closing time [s]	0.3
Opening time [s]	0.3
Repetition accuracy +/- [mm]	0.05
Operating pressure min. [bar]	3
Operating pressure max. [bar]	8
Operating temperature min. [°C]	5
Operating temperature max. [°C]	+80
Air volume per cycle [cm ³]	170
Weight [kg]	7.4

*All data measured at 6 bar



- ① Gripper attachment
- ② Energy supply
- ③ Fixing for gripper finger
- ④ Fixing for mounting block
- Ⓐ Air connection (close)
- Ⓑ Air connection (open)
- Ⓐ' Air connection, alternative (close)
- Ⓑ' Air connection, alternative (open)



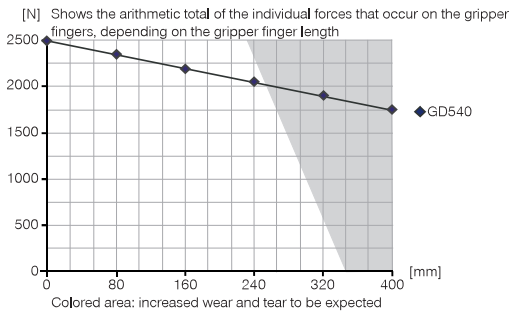
Hoseless air feed-through

3-JAW CONCENTRIC GRIPPERS WITH LONG STROKE INSTALLATION SIZE GD540

▶ PRODUCT SPECIFICATIONS

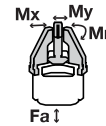


▶ Gripping force diagram



▶ Forces and moments

Displays static forces and moments that can also have an effect, besides the gripping force.



Mr [Nm]	300
Mx [Nm]	200
My [Nm]	300
Fa [N]	8000

▶ INCLUDED IN DELIVERY



Mounting block

KB8K



Centering Disc

DST42000

▶ RECOMMENDED ACCESSORIES



Inductive proximity switch
- Cable 5 m

NJ8-E2



Inductive proximity switch
- Connector M8

NJ8-E2S



Plug-in connector Straight
Cable 5m - Socket M8
(female)

KAG500



Plug-in connector Angled
Cable 5m - Socket M8
(female)

KAW500



Straight Fittings - Quick
Connect Style

GV1-4X8



Angled Fittings - Quick
Connect Style

WV1-4X8



Quick Exhaust Valve

DEV08



Pressure Safety Valve

DSV1-8



Plug-in connector customiz-
able Straight - Connector M8

S8-G-3

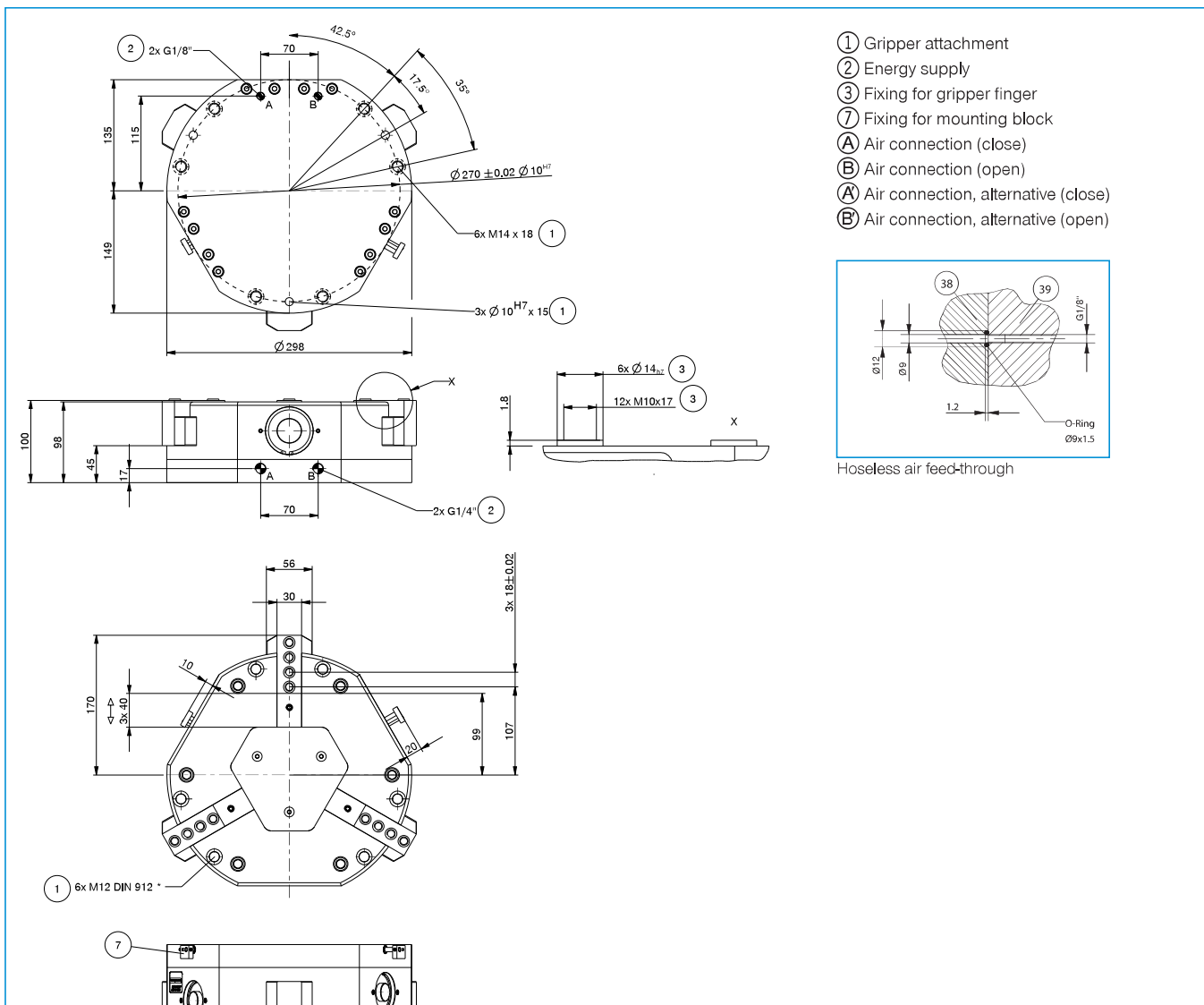


Plug-in connector customiz-
able Straight - Connector M12

S12-G-3

Order no.	GD540
Stroke per jaw [mm]	40
Gripping force in closing [N]	2480
Gripping force in opening [N]	2480
Closing time [s]	0.35
Opening time [s]	0.35
Repetition accuracy +/- [mm]	0.05
Operating pressure min. [bar]	3
Operating pressure max. [bar]	8
Operating temperature min. [°C]	5
Operating temperature max. [°C]	+80
Air volume per cycle [cm³]	440
Weight [kg]	19

*All data measured at 6 bar

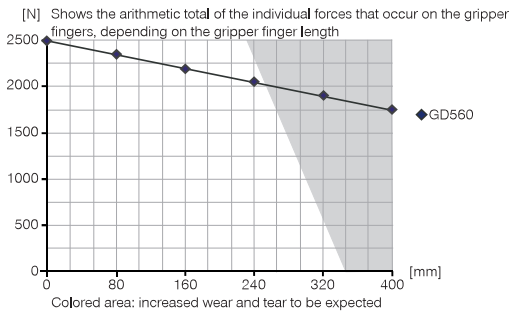


3-JAW CONCENTRIC GRIPPERS WITH LONG STROKE INSTALLATION SIZE GD560

▶ PRODUCT SPECIFICATIONS

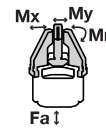


▶ Gripping force diagram



▶ Forces and moments

Displays static forces and moments that can also have an effect, besides the gripping force.



Mr [Nm]	300
Mx [Nm]	200
My [Nm]	300
Fa [N]	8000

▶ INCLUDED IN DELIVERY



Mounting block

KB8K



Centering Disc

DST42000

▶ RECOMMENDED ACCESSORIES



Inductive proximity switch
- Cable 5 m

NJ8-E2



Inductive proximity switch
- Connector M8

NJ8-E2S



Plug-in connector Straight
Cable 5m - Socket M8
(female)

KAG500



Plug-in connector Angled
Cable 5m - Socket M8
(female)

KAW500



Straight Fittings - Quick
Connect Style

GV1-4X8



Angled Fittings - Quick
Connect Style

WV1-4X8



Quick Exhaust Valve

DEV08



Pressure Safety Valve

DSV1-8



Plug-in connector customiz-
able Straight - Connector M8

S8-G-3

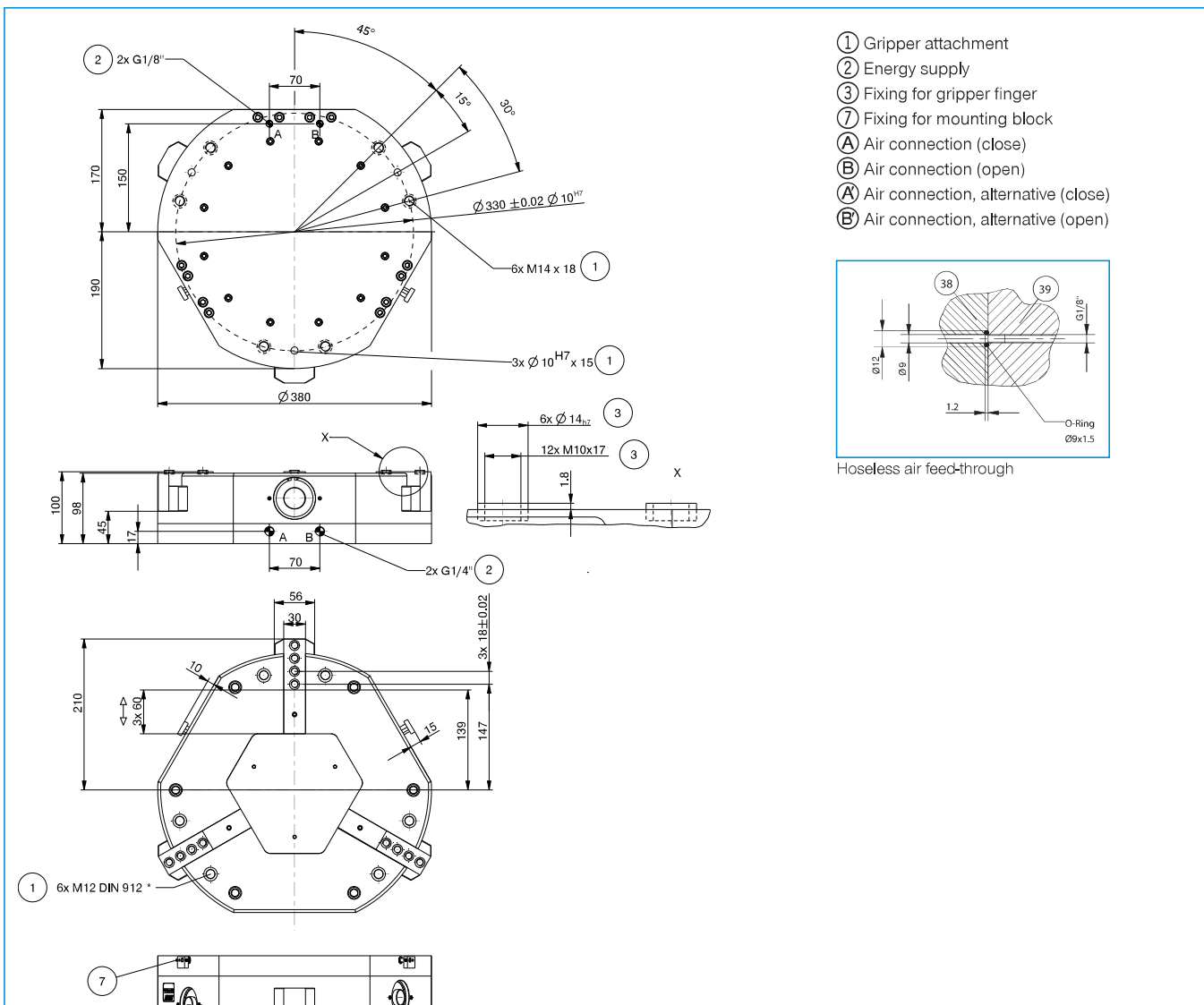


Plug-in connector customiz-
able Straight - Connector M12

S12-G-3

Order no.	GD560
Stroke per jaw [mm]	60
Gripping force in closing [N]	2480
Gripping force in opening [N]	2480
Closing time [s]	0.45
Opening time [s]	0.45
Repetition accuracy +/- [mm]	0.05
Operating pressure min. [bar]	3
Operating pressure max. [bar]	8
Operating temperature min. [°C]	5
Operating temperature max. [°C]	+80
Air volume per cycle [cm ³]	650
Weight [kg]	29

* All data measured at 6 bar



Hoseless air feed-through