



# rtc<sup>®</sup>

COUPLING TECHNOLOGY  
[www.rtc-tec.com](http://www rtc-tec.com)



# M101

rtc TYPE

rtc Multicoupling systems  
rtc Multikupplungssysteme type M101



rtc Multicoupling systems / rtc Multikupplungssysteme type M101



Type	Max. Working Pressure Max. Betriebsdruck	Flow size Nennweite	Connections Anschlüsse	Circuits Kreislauf
rtc M101.06	16 bar	06	6 / 12 / 16 / 20 / 24	3 / 6 / 8 / 10 / 12
rtc M101.09	16 bar	09	6 / 8 / 10 / 12 / 16 / 20 / 24	3 / 4 / 5 / 6 / 8 / 10 / 12
rtc M101.10	16 bar	10	3 / 4 / 5 / 6 / 8 / 10 / 12	3 / 4 / 5 / 6 / 8 / 10 / 12
rtc M101.12	16 bar	12	3 / 5 / 6 / 9 / 10 / 12	3 / 5 / 6 / 9 / 10 / 12
rtc M101.16	16 bar	16	5 / 6	5 / 6

Temperature Range - Temperaturbereich

For oil / bei Öl -10°C +200°C (+14°F +392°F) FPM (V)  
For water / bei Wasser -10°C +160°C (+14°F +320°F) FPM (V)



Specification

Connecting and disconnecting the circuits in one operation for quick mold change

Colour coded plates for circuit definition  
4 different sizes (Ø6, Ø9, Ø10, Ø12, Ø16)

Eigenschaften

Verbinden und Trennen von mehreren Kreisläufen in einem Arbeitsgang für das schnelle Rüsten

Kennzeichnung von Zu- und Rücklauf durch farbige Platten  
Erhältlich in 4 Nennweiten

Applications

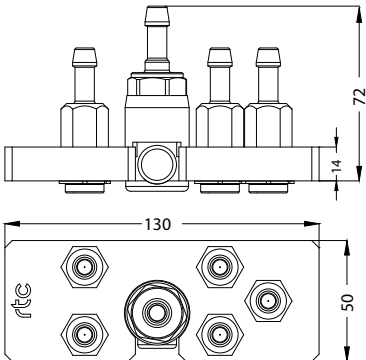
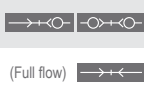

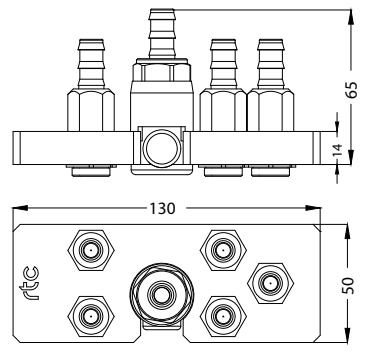
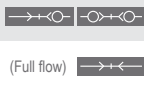

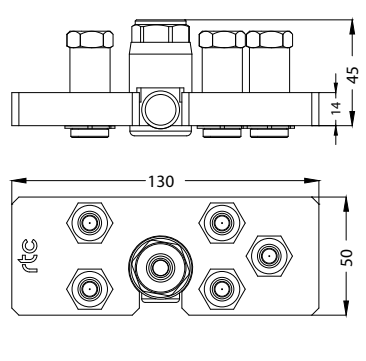
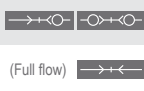

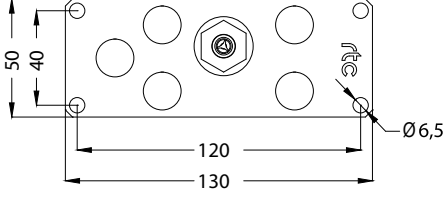

Aluminium die casting  
Test units  
Plastics industry / cooling heating

Anwendungen

Aluminiumdruckguß  
Prüfstände  
Kunststoffindustrie / Mehrkreistemperierung / kühlen temperieren

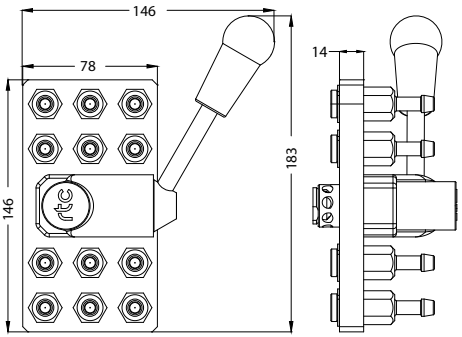
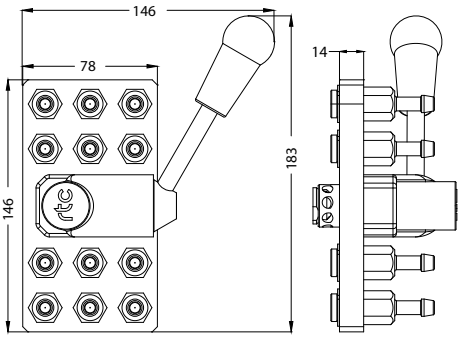

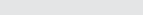



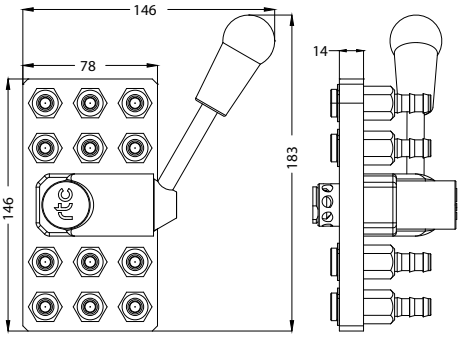
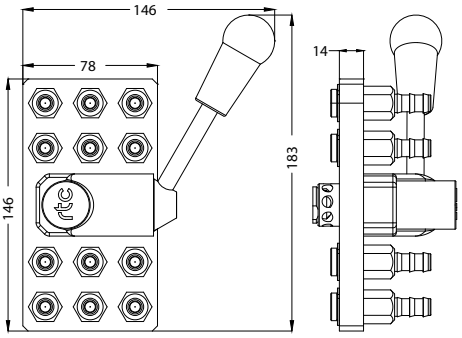

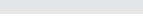



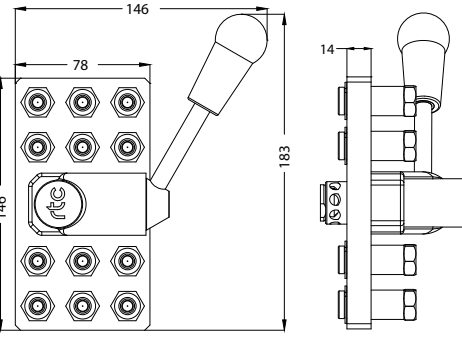
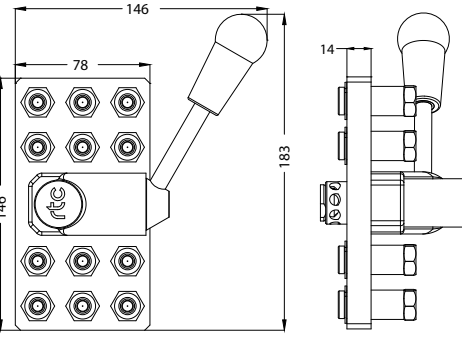

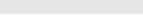



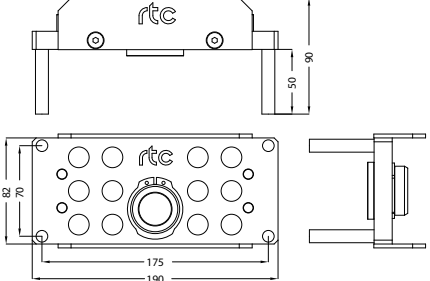

rtc TYPE M 101.06

Flow diameter 6 mm / Nennweite 6 mm

TYPE M 101.06	Mobile side / Versorgerseite	Item code / Artikelnummer									
<p>3 ↔ 3</p>		<p>Standard hose Schlauchanschluss</p>	 <table border="1"> <tr> <td>Ø8</td> <td>M 101.06-06 SHB 08</td> </tr> <tr> <td>Ø10</td> <td>M 101.06-06 SHB 10</td> </tr> <tr> <td>Ø8</td> <td>M 101.06-06 SHF 08</td> </tr> <tr> <td>Ø10</td> <td>M 101.06-06 SHF 10</td> </tr> </table> 	Ø8	M 101.06-06 SHB 08	Ø10	M 101.06-06 SHB 10	Ø8	M 101.06-06 SHF 08	Ø10	M 101.06-06 SHF 10
Ø8	M 101.06-06 SHB 08										
Ø10	M 101.06-06 SHB 10										
Ø8	M 101.06-06 SHF 08										
Ø10	M 101.06-06 SHF 10										
<p>3 ↔ 3</p>		<p>Push to connect</p>	 <table border="1"> <tr> <td>Ø8</td> <td>M 101.06-06 SPB 08</td> </tr> <tr> <td>Ø10</td> <td>M 101.06-06 SPB 10</td> </tr> <tr> <td>Ø8</td> <td>M 101.06-06 SPF 08</td> </tr> <tr> <td>Ø10</td> <td>M 101.06-06 SPF 10</td> </tr> </table> 	Ø8	M 101.06-06 SPB 08	Ø10	M 101.06-06 SPB 10	Ø8	M 101.06-06 SPF 08	Ø10	M 101.06-06 SPF 10
Ø8	M 101.06-06 SPB 08										
Ø10	M 101.06-06 SPB 10										
Ø8	M 101.06-06 SPF 08										
Ø10	M 101.06-06 SPF 10										
<p>3 ↔ 3</p>		<p>Female thread Innengewinde</p>	 <table border="1"> <tr> <td>BSP 1/4</td> <td>M 101.06-06 SFB 13</td> </tr> <tr> <td>NPT 1/4</td> <td>M 101.06-06 SNB 13</td> </tr> <tr> <td>BSP 1/4</td> <td>M 101.06-06 SFF 13</td> </tr> <tr> <td>NPT 1/4</td> <td>M 101.06-06 SNF 13</td> </tr> </table> 	BSP 1/4	M 101.06-06 SFB 13	NPT 1/4	M 101.06-06 SNB 13	BSP 1/4	M 101.06-06 SFF 13	NPT 1/4	M 101.06-06 SNF 13
BSP 1/4	M 101.06-06 SFB 13										
NPT 1/4	M 101.06-06 SNB 13										
BSP 1/4	M 101.06-06 SFF 13										
NPT 1/4	M 101.06-06 SNF 13										
TYPE K 101.06	Mould side / Abnehmerseite	Item code / Artikelnummer									
<p>3 ↔ 3</p>		<p>Plate for 6 lines / Platte für 6 Anschlüsse</p>	<p>K 101.06-06</p> 								

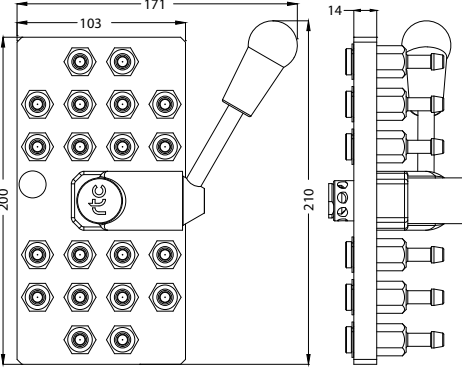


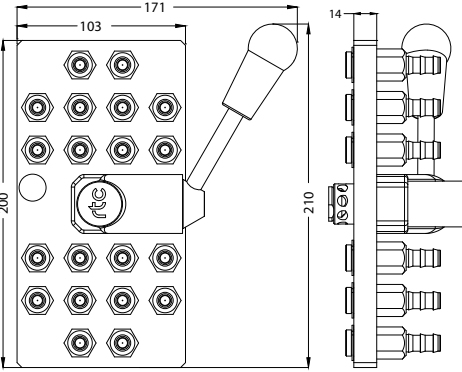
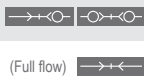

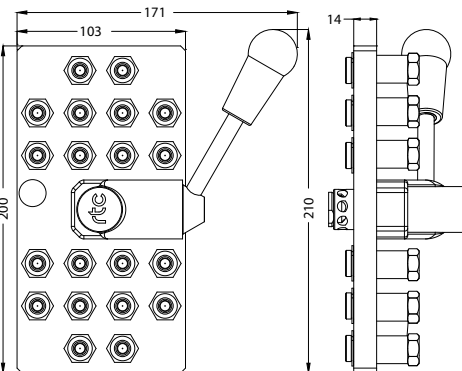


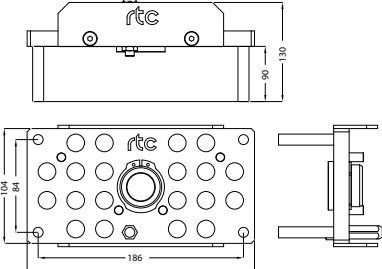

Flow diameter 6 mm / Nennweite 6 mm

TYPE M 101.06 **rtc**

TYPE M 101.06	Mobile side / Versorgerseite	Item code / Artikelnummer									
<p>6 ↔ 6</p> 	<p>Standard hose Schlauchanschluss</p> 	<p>  Ø8   Ø10                      (Full flow)  Ø8   Ø10                 </p>	<table border="1"> <tr> <td>Ø8</td> <td>M 101.06-12 SHB 08</td> </tr> <tr> <td>Ø10</td> <td>M 101.06-12 SHB 10</td> </tr> <tr> <td>Ø8</td> <td>M 101.06-12 SHF 08</td> </tr> <tr> <td>Ø10</td> <td>M 101.06-12 SHF 10</td> </tr> </table> 	Ø8	M 101.06-12 SHB 08	Ø10	M 101.06-12 SHB 10	Ø8	M 101.06-12 SHF 08	Ø10	M 101.06-12 SHF 10
Ø8	M 101.06-12 SHB 08										
Ø10	M 101.06-12 SHB 10										
Ø8	M 101.06-12 SHF 08										
Ø10	M 101.06-12 SHF 10										
<p>6 ↔ 6</p> 	<p>Push to connect Steckschlauchanschluss</p> 	<p>  Ø8   Ø10                      (Full flow)  Ø8   Ø10                 </p>	<table border="1"> <tr> <td>Ø8</td> <td>M 101.06-12 SPB 08</td> </tr> <tr> <td>Ø10</td> <td>M 101.06-12 SPB 10</td> </tr> <tr> <td>Ø8</td> <td>M 101.06-12 SPF 08</td> </tr> <tr> <td>Ø10</td> <td>M 101.06-12 SPF 10</td> </tr> </table> 	Ø8	M 101.06-12 SPB 08	Ø10	M 101.06-12 SPB 10	Ø8	M 101.06-12 SPF 08	Ø10	M 101.06-12 SPF 10
Ø8	M 101.06-12 SPB 08										
Ø10	M 101.06-12 SPB 10										
Ø8	M 101.06-12 SPF 08										
Ø10	M 101.06-12 SPF 10										
<p>6 ↔ 6</p> 	<p>Female thread Innengewinde</p> 	<p>  BSP 1/4   NPT 1/4                      (Full flow)  BSP 1/4   NPT 1/4                 </p>	<table border="1"> <tr> <td>BSP 1/4</td> <td>M 101.06-12 SFB 13</td> </tr> <tr> <td>NPT 1/4</td> <td>M 101.06-12 SNB 13</td> </tr> <tr> <td>BSP 1/4</td> <td>M 101.06-12 SFF 13</td> </tr> <tr> <td>NPT 1/4</td> <td>M 101.06-12 SNF 13</td> </tr> </table> 	BSP 1/4	M 101.06-12 SFB 13	NPT 1/4	M 101.06-12 SNB 13	BSP 1/4	M 101.06-12 SFF 13	NPT 1/4	M 101.06-12 SNF 13
BSP 1/4	M 101.06-12 SFB 13										
NPT 1/4	M 101.06-12 SNB 13										
BSP 1/4	M 101.06-12 SFF 13										
NPT 1/4	M 101.06-12 SNF 13										
TYPE K 101.06	Mould side / Abnehmerseite	Item code / Artikelnummer									
<p>6 ↔ 6</p> 	<p>Plate for 12 lines / Platte für 12 Anschlüsse</p> 	<table border="1"> <tr> <td>K 101.06-12</td> </tr> </table>		K 101.06-12							
K 101.06-12											

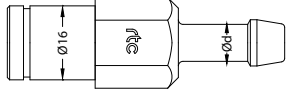


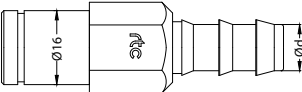


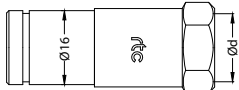


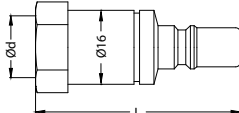


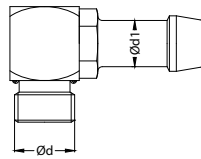
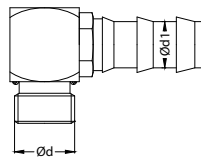
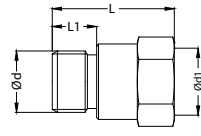
rtc TYPE M 101.06

Flow diameter 6 mm / Nennweite 6 mm

TYPE M 101.06	Mobile side / Versorgerseite	Item code / Artikelnummer	
<p>10 ↔ 10</p> 	<p>Standard hose Schlauchanschluss</p> 	<p>Ø8 Ø10 Ø8 Ø10</p>	<p>M 101.06-20 SHB 08 M 101.06-20 SHB 10 M 101.06-20 SHF 08 M 101.06-20 SHF 10</p> 
<p>10 ↔ 10</p> 	<p>Push to connect Steckschlauchanschluss</p> 	<p>Ø8 Ø10 Ø8 Ø10</p>	<p>M 101.06-20 SPB 08 M 101.06-20 SPB 10 M 101.06-20 SPF 08 M 101.06-20 SPF 10</p> 
<p>10 ↔ 10</p> 	<p>Female thread Innengewinde</p> 	<p>BSP 1/4 NPT 1/4 BSP 1/4 NPT 1/4</p>	<p>M 101.06-20 SFB 13 M 101.06-20 SNB 13 M 101.06-20 SFF 13 M 101.06-20 SNF 13</p> 
<p>10 ↔ 10</p> 	<p>Plate for 20 lines / Platte für 20 Anschlüsse</p> 	<p>Item code / Artikelnummer K 101.06-20</p>	

Flow diameter 6 mm / Nennweite 6 mm

TYPE M 101.06 

TYPE M 101.06	Sockets / Kupplungen			Item code / Artikelnummer
	Standard hose Schlauchanschluss		Ø8 Ø10	M 101.06 SHB 08 M 101.06 SHB 10
			Ø8 Ø10	M 101.06 SHF 08 M 101.06 SHF 10
	Push to connect Steckschlauchanschluss		Ø8 Ø10	M 101.06 SPB 08 M 101.06 SPB 10
			Ø8 Ø10	M 101.06 SPF 08 M 101.06 SPF 10
	Female thread Innengewinde		BSP 1/4 NPT 1/4	M 101.06 SFB 13 M 101.06 SNB 13
			BSP 1/4 NPT 1/4	M 101.06 SFF 13 M 101.06 SNF 13
TYPE M 101.06	Plugs / Nippel			Item code / Artikelnummer
	Female thread Innengewinde		BSP 1/4 NPT 1/4	M 101.06 PFB 13 M 101.06 PNB 13
			BSP 1/4 NPT 1/4	M 101.06 PFF 13 M 101.06 PNF 13
TYPE M 101.06	Adapters elbow / Adapter Winkel			Item code / Artikelnummer
	Standard hose Schlauchanschluss	BSP 1/4 →	Ø8 Ø10	EBH 13/08-90 EBH 13/10-90
		NPT 1/4 →	Ø8 Ø10	EBH 13T/08-90 EBH 13T/10-90
	Push to connect Steckschlauchanschluss	BSP 1/4 →	Ø10	EBP 13/10-90
		NPT 1/4 →	Ø10	EBP 13T/10-90
		TE 13-13 - 14 BSP 1/4" Female - BSP 1/4" Male Extension BSP 1/4" Innengewinde - BSP 1/4" Aussengewinde Verlängerung		
		TEN 13-13 - 14 NPT 1/4" Female - BSP 1/4" Male Extension NPT 1/4" Innengewinde - BSP 1/4" Aussengewinde Verlängerung		



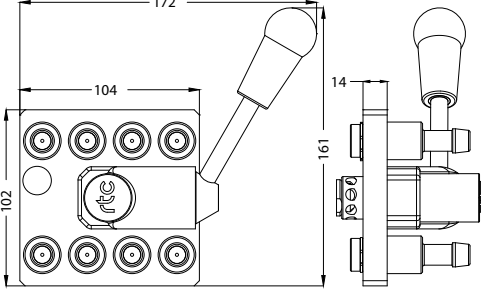
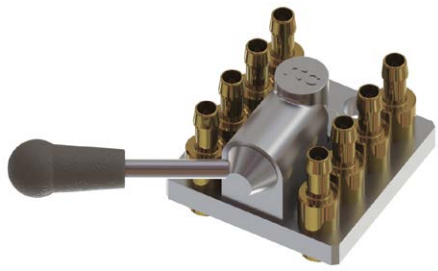
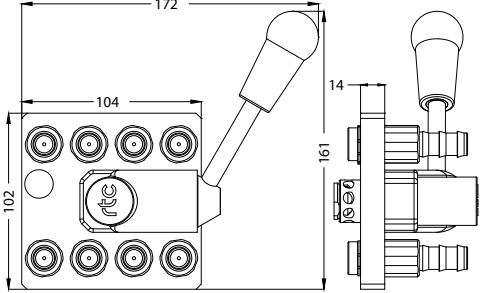
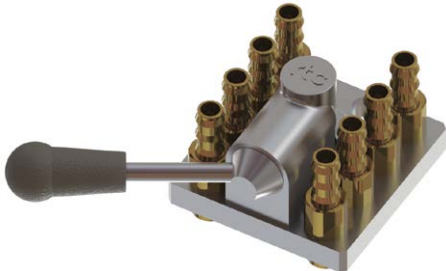
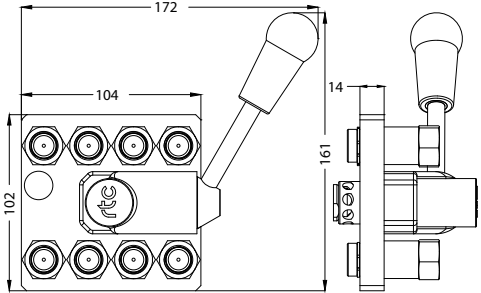
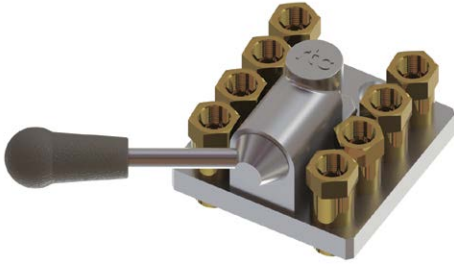
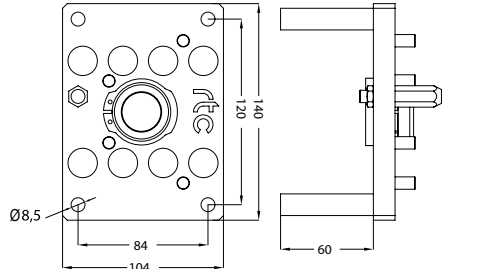
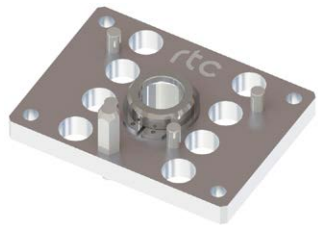
rtc TYPE M 101.09

Flow diameter 9 mm / Nennweite 9 mm

TYPE M 101.09	Mobile side / Versorgerseite	Item code / Artikelnummer																
<p>3 ↔ 3</p>		<p>Standard hose Schlauchanschluss</p> <table border="1"> <tr> <td>→○←</td> <td>○→○←</td> <td>Ø10</td> <td>M 101.09-06 SHB 10</td> </tr> <tr> <td>→○←</td> <td>○→○←</td> <td>Ø12</td> <td>M 101.09-06 SHB 12</td> </tr> <tr> <td>(Full flow) →←</td> <td></td> <td>Ø10</td> <td>M 101.09-06 SHF 10</td> </tr> <tr> <td>(Full flow) →←</td> <td></td> <td>Ø12</td> <td>M 101.09-06 SHF 12</td> </tr> </table>	→○←	○→○←	Ø10	M 101.09-06 SHB 10	→○←	○→○←	Ø12	M 101.09-06 SHB 12	(Full flow) →←		Ø10	M 101.09-06 SHF 10	(Full flow) →←		Ø12	M 101.09-06 SHF 12
→○←	○→○←	Ø10	M 101.09-06 SHB 10															
→○←	○→○←	Ø12	M 101.09-06 SHB 12															
(Full flow) →←		Ø10	M 101.09-06 SHF 10															
(Full flow) →←		Ø12	M 101.09-06 SHF 12															
<p>3 ↔ 3</p>		<p>Push to connect Steckschlauchanschluss</p> <table border="1"> <tr> <td>→○←</td> <td>○→○←</td> <td>Ø10</td> <td>M 101.09-06 SPB 10</td> </tr> <tr> <td>→○←</td> <td>○→○←</td> <td>Ø13</td> <td>M 101.09-06 SPB 13</td> </tr> <tr> <td>(Full flow) →←</td> <td></td> <td>Ø10</td> <td>M 101.09-06 SPF 10</td> </tr> <tr> <td>(Full flow) →←</td> <td></td> <td>Ø13</td> <td>M 101.09-06 SPF 13</td> </tr> </table>	→○←	○→○←	Ø10	M 101.09-06 SPB 10	→○←	○→○←	Ø13	M 101.09-06 SPB 13	(Full flow) →←		Ø10	M 101.09-06 SPF 10	(Full flow) →←		Ø13	M 101.09-06 SPF 13
→○←	○→○←	Ø10	M 101.09-06 SPB 10															
→○←	○→○←	Ø13	M 101.09-06 SPB 13															
(Full flow) →←		Ø10	M 101.09-06 SPF 10															
(Full flow) →←		Ø13	M 101.09-06 SPF 13															
<p>3 ↔ 3</p>		<p>Female thread Innengewinde</p> <table border="1"> <tr> <td>→○←</td> <td>○→○←</td> <td>BSP 3/8</td> <td>M 101.09-06 SFB 17</td> </tr> <tr> <td>→○←</td> <td>○→○←</td> <td>NPT 3/8</td> <td>M 101.09-06 SNB 17</td> </tr> <tr> <td>(Full flow) →←</td> <td></td> <td>BSP 3/8</td> <td>M 101.09-06 SFF 17</td> </tr> <tr> <td>(Full flow) →←</td> <td></td> <td>NPT 3/8</td> <td>M 101.09-06 SNF 17</td> </tr> </table>	→○←	○→○←	BSP 3/8	M 101.09-06 SFB 17	→○←	○→○←	NPT 3/8	M 101.09-06 SNB 17	(Full flow) →←		BSP 3/8	M 101.09-06 SFF 17	(Full flow) →←		NPT 3/8	M 101.09-06 SNF 17
→○←	○→○←	BSP 3/8	M 101.09-06 SFB 17															
→○←	○→○←	NPT 3/8	M 101.09-06 SNB 17															
(Full flow) →←		BSP 3/8	M 101.09-06 SFF 17															
(Full flow) →←		NPT 3/8	M 101.09-06 SNF 17															
TYPE K 101.09	Mould side / Abnehmerseite	Item code / Artikelnummer																
<p>3 ↔ 3</p>		<p>Plate for 6 lines / Platte für 6 Anschlüsse</p> <p>K 101.09-06</p>																

Flow diameter 9 mm / Nennweite 9 mm

TYPE M 101.09 **rtc**

TYPE M 101.09	Mobile side / Versorgerseite	Item code / Artikelnummer													
<p>4 ↔ 4</p> 	<p>Standard hose Schlauchanschluss</p> <table border="1" data-bbox="1029 331 1300 436"> <tr> <td></td> <td>Ø10</td> <td>M 101.09-08 SHB 10</td> </tr> <tr> <td></td> <td>Ø12</td> <td>M 101.09-08 SHB 12</td> </tr> <tr> <td>(Full flow) </td> <td>Ø10</td> <td>M 101.09-08 SHF 10</td> </tr> <tr> <td>(Full flow) </td> <td>Ø12</td> <td>M 101.09-08 SHF 12</td> </tr> </table> 		Ø10	M 101.09-08 SHB 10		Ø12	M 101.09-08 SHB 12	(Full flow)	Ø10	M 101.09-08 SHF 10	(Full flow)	Ø12	M 101.09-08 SHF 12		
	Ø10	M 101.09-08 SHB 10													
	Ø12	M 101.09-08 SHB 12													
(Full flow)	Ø10	M 101.09-08 SHF 10													
(Full flow)	Ø12	M 101.09-08 SHF 12													
<p>4 ↔ 4</p> 	<p>Push to connect Steckschlauchanschluss</p> <table border="1" data-bbox="1029 817 1300 922"> <tr> <td></td> <td>Ø10</td> <td>M 101.09-08 SPB 10</td> </tr> <tr> <td></td> <td>Ø13</td> <td>M 101.09-08 SPB 13</td> </tr> <tr> <td>(Full flow) </td> <td>Ø10</td> <td>M 101.09-08 SPF 10</td> </tr> <tr> <td>(Full flow) </td> <td>Ø13</td> <td>M 101.09-08 SPF 13</td> </tr> </table> 		Ø10	M 101.09-08 SPB 10		Ø13	M 101.09-08 SPB 13	(Full flow)	Ø10	M 101.09-08 SPF 10	(Full flow)	Ø13	M 101.09-08 SPF 13		
	Ø10	M 101.09-08 SPB 10													
	Ø13	M 101.09-08 SPB 13													
(Full flow)	Ø10	M 101.09-08 SPF 10													
(Full flow)	Ø13	M 101.09-08 SPF 13													
<p>4 ↔ 4</p> 	<p>Female thread Innengewinde</p> <table border="1" data-bbox="1029 1303 1300 1408"> <tr> <td></td> <td>BSP 3/8</td> <td>M 101.09-08 SFB 17</td> </tr> <tr> <td></td> <td>NPT 3/8</td> <td>M 101.09-08 SNB 17</td> </tr> <tr> <td>(Full flow) </td> <td>BSP 3/8</td> <td>M 101.09-08 SFF 17</td> </tr> <tr> <td>(Full flow) </td> <td>NPT 3/8</td> <td>M 101.09-08 SNF 17</td> </tr> </table> 		BSP 3/8	M 101.09-08 SFB 17		NPT 3/8	M 101.09-08 SNB 17	(Full flow)	BSP 3/8	M 101.09-08 SFF 17	(Full flow)	NPT 3/8	M 101.09-08 SNF 17		
	BSP 3/8	M 101.09-08 SFB 17													
	NPT 3/8	M 101.09-08 SNB 17													
(Full flow)	BSP 3/8	M 101.09-08 SFF 17													
(Full flow)	NPT 3/8	M 101.09-08 SNF 17													
TYPE K 101.09	Mould side / Abnehmerseite	Item code / Artikelnummer													
<p>4 ↔ 4</p> 	<p>Plate for 8 lines / Platte für 8 Anschlüsse</p> 	<p>K 101.09-08</p>													



rtc TYPE M 101.09

Flow diameter 9 mm / Nennweite 9 mm

TYPE M 101.09	Mobile side / Versorgerseite	Item code / Artikelnummer													
<p>5 ↔ 5</p>		<p>Standard hose Schlauchanschluss</p>	<table border="1"> <tr> <td></td> <td>Ø10</td> <td>M 101.09-10 SHB 10</td> </tr> <tr> <td></td> <td>Ø12</td> <td>M 101.09-10 SHB 12</td> </tr> <tr> <td>(Full flow) </td> <td>Ø10</td> <td>M 101.09-10 SHF 10</td> </tr> <tr> <td></td> <td>Ø12</td> <td>M 101.09-10 SHF 12</td> </tr> </table>		Ø10	M 101.09-10 SHB 10		Ø12	M 101.09-10 SHB 12	(Full flow)	Ø10	M 101.09-10 SHF 10		Ø12	M 101.09-10 SHF 12
		Ø10	M 101.09-10 SHB 10												
		Ø12	M 101.09-10 SHB 12												
(Full flow)	Ø10	M 101.09-10 SHF 10													
	Ø12	M 101.09-10 SHF 12													
	<p>Push to connect Steckschlauchanschluss</p>	<table border="1"> <tr> <td></td> <td>Ø10</td> <td>M 101.09-10 SPB 10</td> </tr> <tr> <td></td> <td>Ø13</td> <td>M 101.09-10 SPB 13</td> </tr> <tr> <td>(Full flow) </td> <td>Ø10</td> <td>M 101.09-10 SPF 10</td> </tr> <tr> <td></td> <td>Ø13</td> <td>M 101.09-10 SPF 13</td> </tr> </table>		Ø10	M 101.09-10 SPB 10		Ø13	M 101.09-10 SPB 13	(Full flow)	Ø10	M 101.09-10 SPF 10		Ø13	M 101.09-10 SPF 13	
	Ø10	M 101.09-10 SPB 10													
	Ø13	M 101.09-10 SPB 13													
(Full flow)	Ø10	M 101.09-10 SPF 10													
	Ø13	M 101.09-10 SPF 13													
	<p>Female thread Innengewinde</p>	<table border="1"> <tr> <td></td> <td>BSP 3/8</td> <td>M 101.09-10 SFB 17</td> </tr> <tr> <td></td> <td>NPT 3/8</td> <td>M 101.09-10 SNB 17</td> </tr> <tr> <td>(Full flow) </td> <td>BSP 3/8</td> <td>M 101.09-10 SFF 17</td> </tr> <tr> <td></td> <td>NPT 3/8</td> <td>M 101.09-10 SNF 17</td> </tr> </table>		BSP 3/8	M 101.09-10 SFB 17		NPT 3/8	M 101.09-10 SNB 17	(Full flow)	BSP 3/8	M 101.09-10 SFF 17		NPT 3/8	M 101.09-10 SNF 17	
	BSP 3/8	M 101.09-10 SFB 17													
	NPT 3/8	M 101.09-10 SNB 17													
(Full flow)	BSP 3/8	M 101.09-10 SFF 17													
	NPT 3/8	M 101.09-10 SNF 17													
<p>5 ↔ 5</p>	<p>Mould side / Abnehmerseite</p>	<p>Plate with 10 plugs Platte mit 10 Anschlüsse</p> <table border="1"> <tr> <td></td> <td>BSP 3/8</td> <td>K 101.09-10 PMB 17</td> </tr> <tr> <td>(Full flow) </td> <td>BSP 3/8</td> <td>K 101.09-10 PMF 17</td> </tr> </table>			BSP 3/8	K 101.09-10 PMB 17	(Full flow)	BSP 3/8	K 101.09-10 PMF 17						
	BSP 3/8	K 101.09-10 PMB 17													
(Full flow)	BSP 3/8	K 101.09-10 PMF 17													


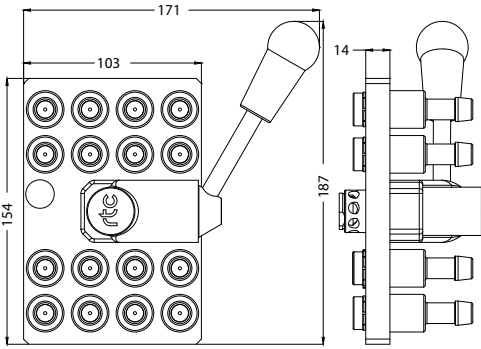









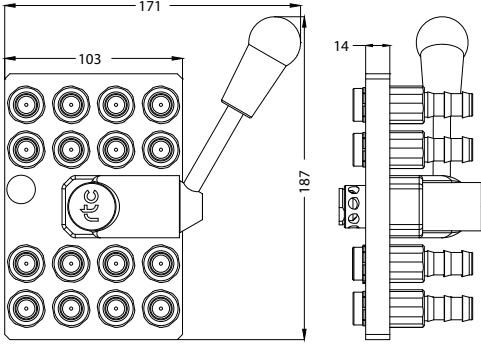









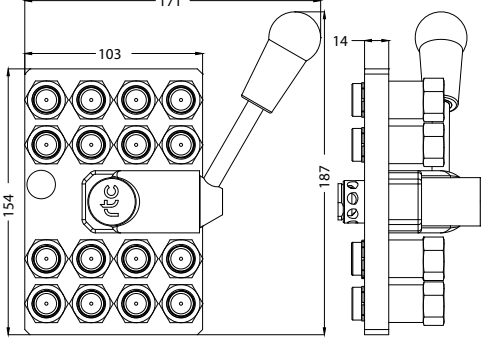










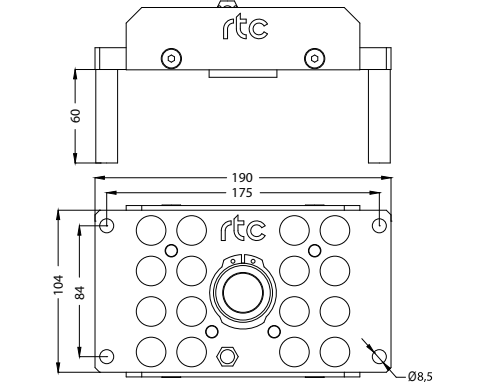



Flow diameter 9 mm / Nennweite 9 mm

TYPE M 101.09 **rtc**

TYPE M 101.09	Mobile side / Versorgerseite	Item code / Artikelnummer									
<p>6 ↔ 6</p>		<p>Standard hose Schlauchanschluss</p>	<table border="1"> <tr> <td>Ø10</td> <td>M 101.09-12 SHB 10</td> </tr> <tr> <td>Ø12</td> <td>M 101.09-12 SHB 12</td> </tr> <tr> <td>(Full flow) Ø10</td> <td>M 101.09-12 SHF 10</td> </tr> <tr> <td>Ø12</td> <td>M 101.09-12 SHF 12</td> </tr> </table>	Ø10	M 101.09-12 SHB 10	Ø12	M 101.09-12 SHB 12	(Full flow) Ø10	M 101.09-12 SHF 10	Ø12	M 101.09-12 SHF 12
	Ø10	M 101.09-12 SHB 10									
	Ø12	M 101.09-12 SHB 12									
	(Full flow) Ø10	M 101.09-12 SHF 10									
Ø12	M 101.09-12 SHF 12										
	<p>Push to connect Steckschlauchanschluss</p>	<table border="1"> <tr> <td>Ø10</td> <td>M 101.09-12 SPB 10</td> </tr> <tr> <td>Ø13</td> <td>M 101.09-12 SPB 13</td> </tr> <tr> <td>(Full flow) Ø10</td> <td>M 101.09-12 SPF 10</td> </tr> <tr> <td>Ø13</td> <td>M 101.09-12 SPF 13</td> </tr> </table>	Ø10	M 101.09-12 SPB 10	Ø13	M 101.09-12 SPB 13	(Full flow) Ø10	M 101.09-12 SPF 10	Ø13	M 101.09-12 SPF 13	
Ø10	M 101.09-12 SPB 10										
Ø13	M 101.09-12 SPB 13										
(Full flow) Ø10	M 101.09-12 SPF 10										
Ø13	M 101.09-12 SPF 13										
	<p>Female thread Innengewinde</p>	<table border="1"> <tr> <td>BSP 3/8</td> <td>M 101.09-12 SFB 17</td> </tr> <tr> <td>NPT 3/8</td> <td>M 101.09-12 SNB 17</td> </tr> <tr> <td>(Full flow) BSP 3/8</td> <td>M 101.09-12 SFF 17</td> </tr> <tr> <td>NPT 3/8</td> <td>M 101.09-12 SNF 17</td> </tr> </table>	BSP 3/8	M 101.09-12 SFB 17	NPT 3/8	M 101.09-12 SNB 17	(Full flow) BSP 3/8	M 101.09-12 SFF 17	NPT 3/8	M 101.09-12 SNF 17	
BSP 3/8	M 101.09-12 SFB 17										
NPT 3/8	M 101.09-12 SNB 17										
(Full flow) BSP 3/8	M 101.09-12 SFF 17										
NPT 3/8	M 101.09-12 SNF 17										
	<p>Female thread collector Innengewinde Sammler</p>	<table border="1"> <tr> <td>BSP 1</td> <td>M 101.09-12 C 33</td> </tr> <tr> <td>BSP 1</td> <td>M 101.09-12 CN 33</td> </tr> </table>	BSP 1	M 101.09-12 C 33	BSP 1	M 101.09-12 CN 33					
BSP 1	M 101.09-12 C 33										
BSP 1	M 101.09-12 CN 33										
<p>6 ↔ 6</p>	<p>TYPE K 101.09</p> <p>Mould side / Abnehmerseite</p> <p>K 101.09-12 AD</p>	<p>Plate for 12 lines / Platte mit 12 Anschlüsse</p> <table border="1"> <tr> <td>K 101.09-12</td> </tr> <tr> <td>K 101.09-12 AD</td> </tr> </table> <p>K 101.09-12</p>		K 101.09-12	K 101.09-12 AD						
K 101.09-12											
K 101.09-12 AD											

rtc TYPE M 101.09

Flow diameter 9 mm / Nennweite 9 mm

TYPE M 101.09	Mobile side / Versorgerseite	Item code / Artikelnummer						
		<table border="1"> <tr> <td data-bbox="766 347 997 436">Standard hose Schlauchanschluss</td> <td data-bbox="997 347 1273 436">             Ø10 Ø12 (Full flow)  Ø10 Ø12         </td> <td data-bbox="1273 347 1548 436">           M 101.09-16 SHB 10 M 101.09-16 SHB 12 M 101.09-16 SHF 10 M 101.09-16 SHF 12         </td> </tr> <tr> <td colspan="3" data-bbox="766 436 1548 784" style="text-align: center;">  </td> </tr> </table>	Standard hose Schlauchanschluss	 Ø10 Ø12 (Full flow)  Ø10 Ø12	M 101.09-16 SHB 10 M 101.09-16 SHB 12 M 101.09-16 SHF 10 M 101.09-16 SHF 12			
Standard hose Schlauchanschluss	 Ø10 Ø12 (Full flow)  Ø10 Ø12	M 101.09-16 SHB 10 M 101.09-16 SHB 12 M 101.09-16 SHF 10 M 101.09-16 SHF 12						
								
		<table border="1"> <tr> <td data-bbox="766 795 997 884">Push to connect Steckschlauchanschluss</td> <td data-bbox="997 795 1273 884">             Ø10 Ø13 (Full flow)  Ø10 Ø13         </td> <td data-bbox="1273 795 1548 884">           M 101.09-16 SPB 10 M 101.09-16 SPB 13 M 101.09-16 SPF 10 M 101.09-16 SPF 13         </td> </tr> <tr> <td colspan="3" data-bbox="766 884 1548 1232" style="text-align: center;">  </td> </tr> </table>	Push to connect Steckschlauchanschluss	 Ø10 Ø13 (Full flow)  Ø10 Ø13	M 101.09-16 SPB 10 M 101.09-16 SPB 13 M 101.09-16 SPF 10 M 101.09-16 SPF 13			
Push to connect Steckschlauchanschluss	 Ø10 Ø13 (Full flow)  Ø10 Ø13	M 101.09-16 SPB 10 M 101.09-16 SPB 13 M 101.09-16 SPF 10 M 101.09-16 SPF 13						
								
		<table border="1"> <tr> <td data-bbox="766 1243 997 1332">Female thread Innengewinde</td> <td data-bbox="997 1243 1273 1332">             BSP 3/8 NPT 3/8 (Full flow)             BSP 3/8 NPT 3/8         </td> <td data-bbox="1273 1243 1548 1332">           M 101.09-16 SFB 17 M 101.09-16 SNB 17 M 101.09-16 SFF 17 M 101.09-16 SNF 17         </td> </tr> <tr> <td colspan="3" data-bbox="766 1332 1548 1668" style="text-align: center;">  </td> </tr> </table>	Female thread Innengewinde	 BSP 3/8 NPT 3/8 (Full flow)  BSP 3/8 NPT 3/8	M 101.09-16 SFB 17 M 101.09-16 SNB 17 M 101.09-16 SFF 17 M 101.09-16 SNF 17			
Female thread Innengewinde	 BSP 3/8 NPT 3/8 (Full flow)  BSP 3/8 NPT 3/8	M 101.09-16 SFB 17 M 101.09-16 SNB 17 M 101.09-16 SFF 17 M 101.09-16 SNF 17						
								
TYPE K 101.09	Mould side / Abnehmerseite	Item code / Artikelnummer						
		<table border="1"> <tr> <td data-bbox="766 1724 1273 1758">Plate for 16 lines / Platte für 16 Anschlüsse</td> <td data-bbox="1273 1724 1548 1758">K 101.09-16</td> </tr> <tr> <td colspan="2" data-bbox="766 1758 1548 2128" style="text-align: center;">  </td> </tr> </table>	Plate for 16 lines / Platte für 16 Anschlüsse	K 101.09-16				
Plate for 16 lines / Platte für 16 Anschlüsse	K 101.09-16							
								

Flow diameter 9 mm / Nennweite 9 mm

TYPE M 101.09 **rtc**

TYPE M 101.09	Mobile side / Versorgerseite		Item code / Artikelnummer	
<p>10 ↔ 10</p>		<p>Standard hose Schlauchanschluss</p>		<p>M 101.09-20 SHB 10 M 101.09-20 SHB 12 M 101.09-20 SHF 10 M 101.09-20 SHF 12</p>
		<p>Push to connect Steckschlauchanschluss</p>		<p>M 101.09-20 SPB 10 M 101.09-20 SPB 13 M 101.09-20 SPF 10 M 101.09-20 SPF 13</p>
		<p>Female thread Innengewinde</p>		<p>M 101.09-20 SFB 17 M 101.09-20 SNB 17 M 101.09-20 SFF 17 M 101.09-20 SNF 17</p>
		<p>Female thread collector Innengewinde Sammler</p>		<p>M 101.09-20 C 42 M 101.09-20 CN 42</p>
<p>10 ↔ 10</p>	<p>TYPE K 101.09 Mould side / Abnehmerseite</p>		<p>Plate for 20 lines / Platte für 20 Anschlüsse</p> <p>K 101.09-20</p>	



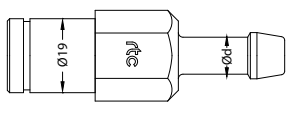


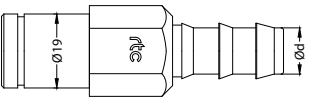


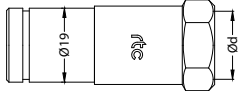


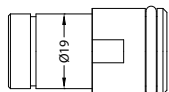


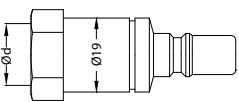


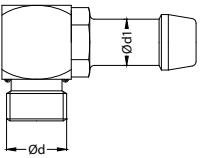
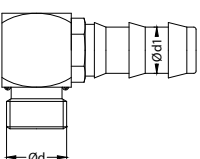
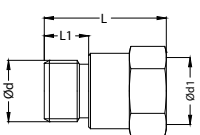
**rtc** TYPE M 101.09

Flow diameter 9 mm / Nennweite 9 mm

TYPE M 101.09	Mobile side / Versorgerseite	Item code / Artikelnummer												
<p>12 ↔ 12</p>		<p>Standard hose Schlauchanschluss</p> <table border="1"> <tr> <td></td> <td>Ø10</td> <td>M 101.09-24 SHB 10</td> </tr> <tr> <td></td> <td>Ø12</td> <td>M 101.09-24 SHB 12</td> </tr> <tr> <td>(Full flow) </td> <td>Ø10</td> <td>M 101.09-24 SHF 10</td> </tr> <tr> <td></td> <td>Ø12</td> <td>M 101.09-24 SHF 12</td> </tr> </table>		Ø10	M 101.09-24 SHB 10		Ø12	M 101.09-24 SHB 12	(Full flow)	Ø10	M 101.09-24 SHF 10		Ø12	M 101.09-24 SHF 12
		Ø10	M 101.09-24 SHB 10											
		Ø12	M 101.09-24 SHB 12											
	(Full flow)	Ø10	M 101.09-24 SHF 10											
	Ø12	M 101.09-24 SHF 12												
	<p>Push to connect Steckschlauchanschluss</p> <table border="1"> <tr> <td></td> <td>Ø10</td> <td>M 101.09-24 SPB 10</td> </tr> <tr> <td></td> <td>Ø13</td> <td>M 101.09-24 SPB 13</td> </tr> <tr> <td>(Full flow) </td> <td>Ø10</td> <td>M 101.09-24 SPF 10</td> </tr> <tr> <td></td> <td>Ø13</td> <td>M 101.09-24 SPF 13</td> </tr> </table>		Ø10	M 101.09-24 SPB 10		Ø13	M 101.09-24 SPB 13	(Full flow)	Ø10	M 101.09-24 SPF 10		Ø13	M 101.09-24 SPF 13	
	Ø10	M 101.09-24 SPB 10												
	Ø13	M 101.09-24 SPB 13												
(Full flow)	Ø10	M 101.09-24 SPF 10												
	Ø13	M 101.09-24 SPF 13												
	<p>Female thread Innengewinde</p> <table border="1"> <tr> <td></td> <td>BSP 3/8</td> <td>M 101.09-24 SFB 17</td> </tr> <tr> <td></td> <td>NPT 3/8</td> <td>M 101.09-24 SNB 17</td> </tr> <tr> <td>(Full flow) </td> <td>BSP 3/8</td> <td>M 101.09-24 SFF 17</td> </tr> <tr> <td></td> <td>NPT 3/8</td> <td>M 101.09-24 SNF 17</td> </tr> </table>		BSP 3/8	M 101.09-24 SFB 17		NPT 3/8	M 101.09-24 SNB 17	(Full flow)	BSP 3/8	M 101.09-24 SFF 17		NPT 3/8	M 101.09-24 SNF 17	
	BSP 3/8	M 101.09-24 SFB 17												
	NPT 3/8	M 101.09-24 SNB 17												
(Full flow)	BSP 3/8	M 101.09-24 SFF 17												
	NPT 3/8	M 101.09-24 SNF 17												
	<p>Female thread collector Innengewinde Sammler</p> <table border="1"> <tr> <td></td> <td>BSP 1-1/4</td> <td>M 101.09-24 C 42</td> </tr> <tr> <td></td> <td>NPT 1-1/4</td> <td>M 101.09-24 CN 42</td> </tr> </table>		BSP 1-1/4	M 101.09-24 C 42		NPT 1-1/4	M 101.09-24 CN 42							
	BSP 1-1/4	M 101.09-24 C 42												
	NPT 1-1/4	M 101.09-24 CN 42												
TYPE K 101.09	Mould side / Abnehmerseite	Item code / Artikelnummer												
<p>12 ↔ 12</p>		<p>Plate for 24 lines / Platte für 24 Anschlüsse</p> <p>K 101.09-24</p>												

Flow diameter 9 mm / Nennweite 9 mm

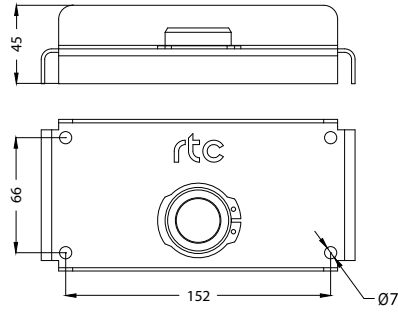

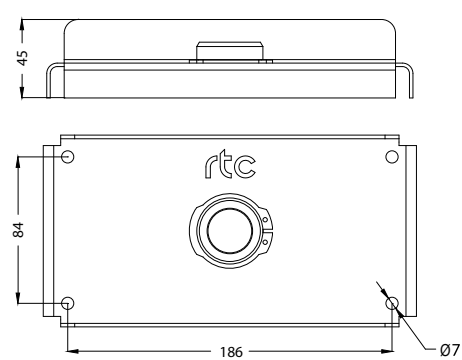

TYPE M 101.09 

TYPE M 101.09	Sockets / Kupplungen	Connection / Anschluss	Item code / Artikelnummer
	Standard hose Schlauchanschluss	 Ø10	M 101.09 SHB 10
		Ø12	M 101.09 SHB 12
	(Full flow)	 Ø10	M 101.09 SHF 10
		Ø12	M 101.09 SHF 12
		Push to connect Steckschlauchanschluss	 Ø10
Ø13			M 101.09 SPB 13
(Full flow)		 Ø10	M 101.09 SPF 10
		Ø13	M 101.09 SPF 13
		Female thread Innengewinde	 BSP 3/8
	NPT 3/8		M 101.09 SNB 17
	(Full flow)	 BSP 3/8	M 101.09 SFF 17
		NPT 3/8	M 101.09 SNF 17
	For collector Für Sammler		M 101.09 SAB 00
		(Full flow) 	M 101.09 SAF 00
TYPE M 101.09	Plugs / Nippel	Connection / Anschluss	Item code / Artikelnummer
	Female thread Innengewinde	 BSP 3/8	M 101.09 PFB 17
		NPT 3/8	M 101.09 PNB 17
	(Full flow)	 BSP 3/8	M 101.09 PFF 17
		NPT 3/8	M 101.09 PNF 17
TYPE M 101.09	Adapters elbow / Adapter Winkel	Connection / Anschluss	Item code / Artikelnummer
	Standard hose Schlauchanschluss	BSP 3/8 → Ø10	EBH 17/10-90
		Ø12	EBH 17/12-90
	NPT 3/8 →	Ø10	EBH 17T/10-90
		Ø12	EBH 17T/12-90
	Push to connect Steckschlauchanschluss	BSP 3/8 → Ø10	EBP 17/10-90
		Ø13	EBP 17/13-90
	NPT 3/8 →	Ø10	EBP 17T/10-90
		Ø13	EBP 17T/13-90
	TE 17-17-20 BSP 3/8" Female - BSP 3/8" Male Extention BSP 3/8" Innengewinde - BSP 3/8" Aussengewinde Verlängerung		
	TE 17-N17-20 NPT 3/8" Female - BSP 3/8" Male Extention NPT 3/8" Innengewinde - BSP 3/8" Aussengewinde Verlängerung		



**rtc** TYPE M 101.09

Flow diameter 9 mm / Nennweite 9 mm

TYPE M 101.09	Parking plate / Parkplatte			Item code / Artikelnummer
		For mobile side Für Versorgerseiten	6 / 10 / 12	M 101.09-12 PP
				
		For mobile side Für Versorgerseiten	8 / 16 / 20 / 24	M 101.09-24 PP
				

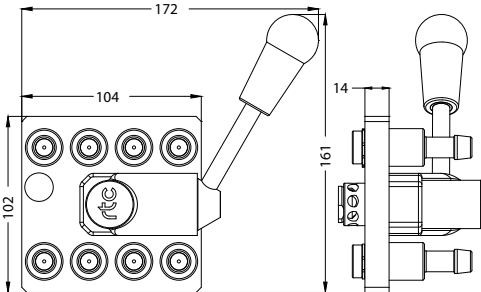
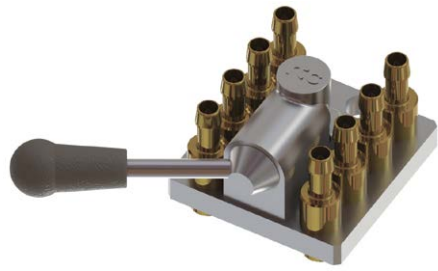

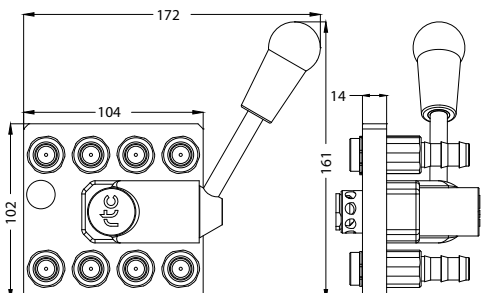
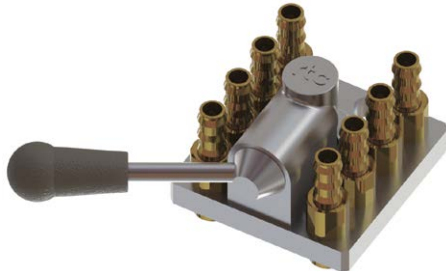
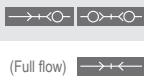
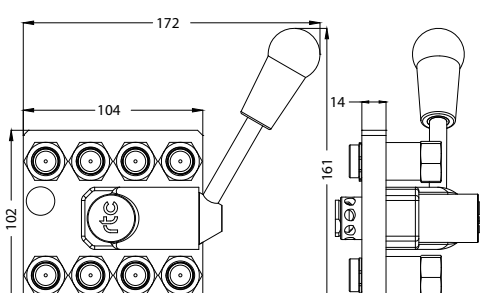
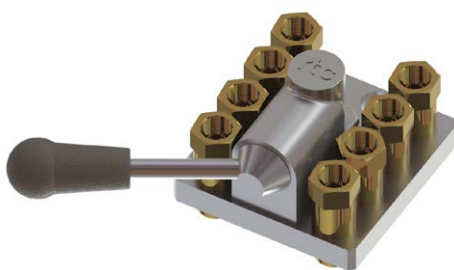

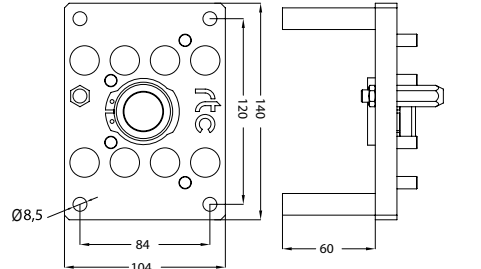

Flow diameter 10 mm / Nennweite 10 mm

TYPE M 101.10 **rtc**

TYPE M 101.10	Mobile side / Versorgerseite	Item code / Artikelnummer													
<p>3 ↔ 3</p>		<p>Standard hose Schlauchanschluss</p>	<table border="1"> <tr> <td></td> <td>Ø10</td> <td>M 101.10-06 SHB 10</td> </tr> <tr> <td></td> <td>Ø12</td> <td>M 101.10-06 SHB 12</td> </tr> <tr> <td>(Full flow) </td> <td>Ø10</td> <td>M 101.10-06 SHF 10</td> </tr> <tr> <td>(Full flow) </td> <td>Ø12</td> <td>M 101.10-06 SHF 12</td> </tr> </table>		Ø10	M 101.10-06 SHB 10		Ø12	M 101.10-06 SHB 12	(Full flow)	Ø10	M 101.10-06 SHF 10	(Full flow)	Ø12	M 101.10-06 SHF 12
	Ø10	M 101.10-06 SHB 10													
	Ø12	M 101.10-06 SHB 12													
(Full flow)	Ø10	M 101.10-06 SHF 10													
(Full flow)	Ø12	M 101.10-06 SHF 12													
		<p>Push to connect Steckschlauchanschluss</p>	<table border="1"> <tr> <td></td> <td>Ø10</td> <td>M 101.10-06 SPB 10</td> </tr> <tr> <td></td> <td>Ø13</td> <td>M 101.10-06 SPB 13</td> </tr> <tr> <td>(Full flow) </td> <td>Ø10</td> <td>M 101.10-06 SPF 10</td> </tr> <tr> <td>(Full flow) </td> <td>Ø13</td> <td>M 101.10-06 SPF 13</td> </tr> </table>		Ø10	M 101.10-06 SPB 10		Ø13	M 101.10-06 SPB 13	(Full flow)	Ø10	M 101.10-06 SPF 10	(Full flow)	Ø13	M 101.10-06 SPF 13
	Ø10	M 101.10-06 SPB 10													
	Ø13	M 101.10-06 SPB 13													
(Full flow)	Ø10	M 101.10-06 SPF 10													
(Full flow)	Ø13	M 101.10-06 SPF 13													
		<p>Female thread Innengewinde</p>	<table border="1"> <tr> <td></td> <td>BSP 3/8</td> <td>M 101.10-06 SFB 17</td> </tr> <tr> <td></td> <td>NPT 3/8</td> <td>M 101.10-06 SNB 17</td> </tr> <tr> <td>(Full flow) </td> <td>BSP 3/8</td> <td>M 101.10-06 SFF 17</td> </tr> <tr> <td>(Full flow) </td> <td>NPT 3/8</td> <td>M 101.10-06 SNF 17</td> </tr> </table>		BSP 3/8	M 101.10-06 SFB 17		NPT 3/8	M 101.10-06 SNB 17	(Full flow)	BSP 3/8	M 101.10-06 SFF 17	(Full flow)	NPT 3/8	M 101.10-06 SNF 17
	BSP 3/8	M 101.10-06 SFB 17													
	NPT 3/8	M 101.10-06 SNB 17													
(Full flow)	BSP 3/8	M 101.10-06 SFF 17													
(Full flow)	NPT 3/8	M 101.10-06 SNF 17													
TYPE K 101.10	Mould side / Abnehmerseite	Item code / Artikelnummer													
<p>3 ↔ 3</p>		<p>Plate for 6 lines / Platte für 6 Anschlüsse</p>	<p>K 101.10-06</p>												

**rtc** TYPE M 101.10

Flow diameter 10 mm / Nennweite 10 mm

TYPE M 101.10	Mobile side / Versorgerseite	Item code / Artikelnummer	
<p>4 ↔ 4</p> 	<p>Standard hose Schlauchanschluss</p> 		<p>Ø10 M 101.10-08 SHB 10                  Ø12 M 101.10-08 SHB 12                  (Full flow) Ø10 M 101.10-08 SHF 10                  Ø12 M 101.10-08 SHF 12</p>
<p>4 ↔ 4</p> 	<p>Push to connect Steckschlauchanschluss</p> 		<p>Ø10 M 101.10-08 SPB 10                  Ø13 M 101.10-08 SPB 13                  (Full flow) Ø10 M 101.10-08 SPF 10                  Ø13 M 101.10-08 SPF 13</p>
<p>4 ↔ 4</p> 	<p>Female thread Innengewinde</p> 		<p>BSP 3/8 M 101.10-08 SFB 17                  NPT 3/8 M 101.10-08 SNB 17                  (Full flow) BSP 3/8 M 101.10-08 SFF 17                  NPT 3/8 M 101.10-08 SNF 17</p>
TYPE K 101.10	Mould side / Abnehmerseite	Item code / Artikelnummer	
<p>4 ↔ 4</p> 	<p>Plate for 8 lines / Platte für 8 Anschlüsse</p> 	<p>K 101.10-08</p>	

Flow diameter 10mm / Nennweite 10 mm

TYPE M 101.10 **rtc**


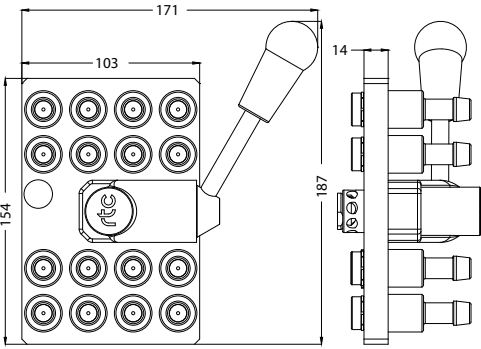

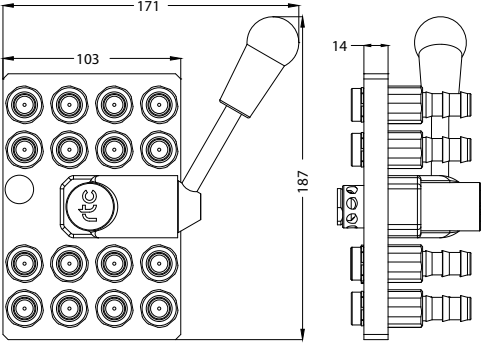

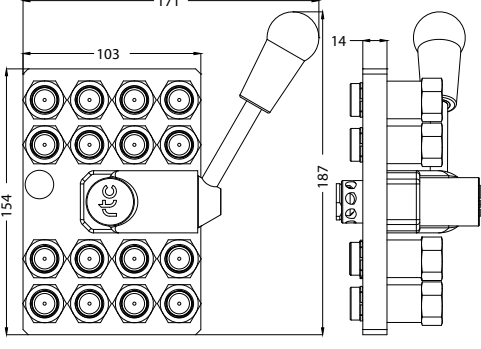


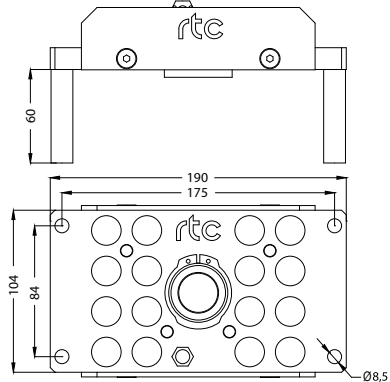

TYPE M 101.10	Mobile side / Versorgerseite	Item code / Artikelnummer												
<p>5 ↔ 5</p>		<p>Standard hose Schlauchanschluss</p> <table border="1"> <tr> <td></td> <td>Ø10</td> <td>M 101.10-10 SHB 10</td> </tr> <tr> <td></td> <td>Ø12</td> <td>M 101.10-10 SHB 12</td> </tr> <tr> <td>(Full flow) </td> <td>Ø10</td> <td>M 101.10-10 SHF 10</td> </tr> <tr> <td></td> <td>Ø12</td> <td>M 101.10-10 SHF 12</td> </tr> </table>		Ø10	M 101.10-10 SHB 10		Ø12	M 101.10-10 SHB 12	(Full flow)	Ø10	M 101.10-10 SHF 10		Ø12	M 101.10-10 SHF 12
		Ø10	M 101.10-10 SHB 10											
		Ø12	M 101.10-10 SHB 12											
(Full flow)	Ø10	M 101.10-10 SHF 10												
	Ø12	M 101.10-10 SHF 12												
	<p>Push to connect Steckschlauchanschluss</p> <table border="1"> <tr> <td></td> <td>Ø10</td> <td>M 101.10-10 SPB 10</td> </tr> <tr> <td></td> <td>Ø13</td> <td>M 101.10-10 SPB 13</td> </tr> <tr> <td>(Full flow) </td> <td>Ø10</td> <td>M 101.10-10 SPF 10</td> </tr> <tr> <td></td> <td>Ø13</td> <td>M 101.10-10 SPF 13</td> </tr> </table>		Ø10	M 101.10-10 SPB 10		Ø13	M 101.10-10 SPB 13	(Full flow)	Ø10	M 101.10-10 SPF 10		Ø13	M 101.10-10 SPF 13	
	Ø10	M 101.10-10 SPB 10												
	Ø13	M 101.10-10 SPB 13												
(Full flow)	Ø10	M 101.10-10 SPF 10												
	Ø13	M 101.10-10 SPF 13												
	<p>Female thread Innengewinde</p> <table border="1"> <tr> <td></td> <td>BSP 3/8</td> <td>M 101.10-10 SFB 17</td> </tr> <tr> <td></td> <td>NPT 3/8</td> <td>M 101.10-10 SNB 17</td> </tr> <tr> <td>(Full flow) </td> <td>BSP 3/8</td> <td>M 101.10-10 SFF 17</td> </tr> <tr> <td></td> <td>NPT 3/8</td> <td>M 101.10-10 SNF 17</td> </tr> </table>		BSP 3/8	M 101.10-10 SFB 17		NPT 3/8	M 101.10-10 SNB 17	(Full flow)	BSP 3/8	M 101.10-10 SFF 17		NPT 3/8	M 101.10-10 SNF 17	
	BSP 3/8	M 101.10-10 SFB 17												
	NPT 3/8	M 101.10-10 SNB 17												
(Full flow)	BSP 3/8	M 101.10-10 SFF 17												
	NPT 3/8	M 101.10-10 SNF 17												
TYPE K 101.10	Mould side / Abnehmerseite	Item code / Artikelnummer												
<p>5 ↔ 5</p>		<p>Plate with 10 plugs Platte mit 10 Anschlüsse</p> <table border="1"> <tr> <td></td> <td>BSP 3/8</td> <td>K 101.10-10 PMB 17</td> </tr> <tr> <td>(Full flow) </td> <td>BSP 3/8</td> <td>K 101.10-10 PMF 17</td> </tr> </table>		BSP 3/8	K 101.10-10 PMB 17	(Full flow)	BSP 3/8	K 101.10-10 PMF 17						
	BSP 3/8	K 101.10-10 PMB 17												
(Full flow)	BSP 3/8	K 101.10-10 PMF 17												

**rtc** TYPE M101.10

Flow diameter 10 mm / Nennweite 10 mm

TYPE M 101.10	Mobile side / Versorgerseite	Item code / Artikelnummer									
<p>6 ↔ 6</p>		<p>Standard hose Schlauchanschluss</p>	<table border="0"> <tr> <td>Ø10</td> <td>M 101.10-12 SHB 10</td> </tr> <tr> <td>Ø12</td> <td>M 101.10-12 SHB 12</td> </tr> <tr> <td>Ø10</td> <td>M 101.10-12 SHF 10</td> </tr> <tr> <td>Ø12</td> <td>M 101.10-12 SHF 12</td> </tr> </table>	Ø10	M 101.10-12 SHB 10	Ø12	M 101.10-12 SHB 12	Ø10	M 101.10-12 SHF 10	Ø12	M 101.10-12 SHF 12
	Ø10	M 101.10-12 SHB 10									
	Ø12	M 101.10-12 SHB 12									
	Ø10	M 101.10-12 SHF 10									
Ø12	M 101.10-12 SHF 12										
	<p>Push to connect Steckschlauchanschluss</p>	<table border="0"> <tr> <td>Ø10</td> <td>M 101.10-12 SPB 10</td> </tr> <tr> <td>Ø13</td> <td>M 101.10-12 SPB 13</td> </tr> <tr> <td>Ø10</td> <td>M 101.10-12 SPF 10</td> </tr> <tr> <td>Ø13</td> <td>M 101.10-12 SPF 13</td> </tr> </table>	Ø10	M 101.10-12 SPB 10	Ø13	M 101.10-12 SPB 13	Ø10	M 101.10-12 SPF 10	Ø13	M 101.10-12 SPF 13	
Ø10	M 101.10-12 SPB 10										
Ø13	M 101.10-12 SPB 13										
Ø10	M 101.10-12 SPF 10										
Ø13	M 101.10-12 SPF 13										
	<p>Female thread Innengewinde</p>	<table border="0"> <tr> <td>BSP 3/8</td> <td>M 101.10-12 SFB 17</td> </tr> <tr> <td>NPT 3/8</td> <td>M 101.10-12 SNB 17</td> </tr> <tr> <td>BSP 3/8</td> <td>M 101.10-12 SFF 17</td> </tr> <tr> <td>NPT 3/8</td> <td>M 101.10-12 SNF 17</td> </tr> </table>	BSP 3/8	M 101.10-12 SFB 17	NPT 3/8	M 101.10-12 SNB 17	BSP 3/8	M 101.10-12 SFF 17	NPT 3/8	M 101.10-12 SNF 17	
BSP 3/8	M 101.10-12 SFB 17										
NPT 3/8	M 101.10-12 SNB 17										
BSP 3/8	M 101.10-12 SFF 17										
NPT 3/8	M 101.10-12 SNF 17										
	<p>Female thread collector Innengewinde Sammler</p>	<table border="0"> <tr> <td>BSP 1</td> <td>M 101.10-12 C 33</td> </tr> <tr> <td>BSP 1</td> <td>M 101.10-12 CN 33</td> </tr> </table>	BSP 1	M 101.10-12 C 33	BSP 1	M 101.10-12 CN 33					
BSP 1	M 101.10-12 C 33										
BSP 1	M 101.10-12 CN 33										
<p>6 ↔ 6</p>	<p>TYPE K 101.10</p> <p>Mould side / Abnehmerseite</p> <p>K 101.10-12 AD</p>	<p>Item code / Artikelnummer</p>									
	<p>Plate for 12 lines / Platte mit 12 Anschlüsse</p> <p>K 101.10-12</p>	<table border="0"> <tr> <td>K 101.10-12</td> </tr> <tr> <td>K 101.10-12 AD</td> </tr> </table>	K 101.10-12	K 101.10-12 AD							
K 101.10-12											
K 101.10-12 AD											

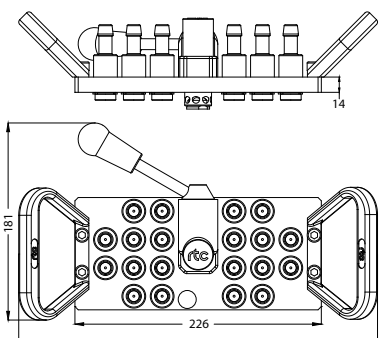



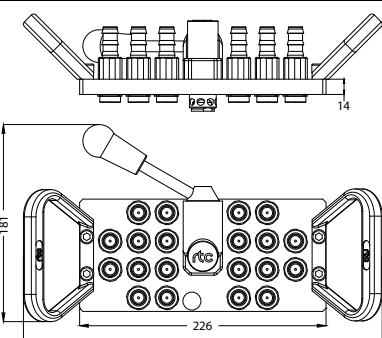


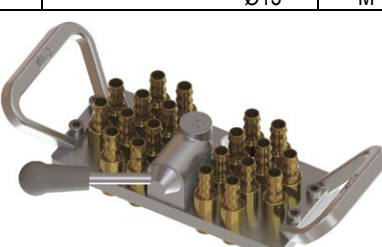
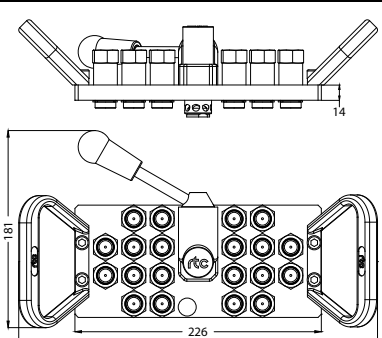



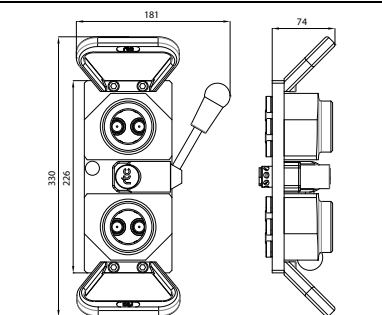


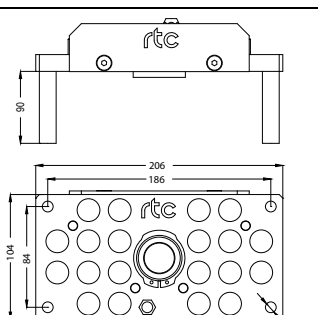



TYPE M 101.10	Mobile side / Versorgerseite	Item code / Artikelnummer												
		<p>Standard hose Schlauchanschluss</p> <table border="1"> <tr> <td></td> <td>Ø10</td> <td>M 101.10-16 SHB 10</td> </tr> <tr> <td></td> <td>Ø12</td> <td>M 101.10-16 SHB 12</td> </tr> <tr> <td>(Full flow) </td> <td>Ø10</td> <td>M 101.10-16 SHF 10</td> </tr> <tr> <td></td> <td>Ø12</td> <td>M 101.10-16 SHF 12</td> </tr> </table> 		Ø10	M 101.10-16 SHB 10		Ø12	M 101.10-16 SHB 12	(Full flow)	Ø10	M 101.10-16 SHF 10		Ø12	M 101.10-16 SHF 12
		Ø10	M 101.10-16 SHB 10											
		Ø12	M 101.10-16 SHB 12											
(Full flow)	Ø10	M 101.10-16 SHF 10												
	Ø12	M 101.10-16 SHF 12												
	<p>Push to connect Steckschlauchanschluss</p> <table border="1"> <tr> <td></td> <td>Ø10</td> <td>M 101.10-16 SPB 10</td> </tr> <tr> <td></td> <td>Ø13</td> <td>M 101.10-16 SPB 13</td> </tr> <tr> <td>(Full flow) </td> <td>Ø10</td> <td>M 101.10-16 SPF 10</td> </tr> <tr> <td></td> <td>Ø13</td> <td>M 101.10-16 SPF 13</td> </tr> </table> 		Ø10	M 101.10-16 SPB 10		Ø13	M 101.10-16 SPB 13	(Full flow)	Ø10	M 101.10-16 SPF 10		Ø13	M 101.10-16 SPF 13	
	Ø10	M 101.10-16 SPB 10												
	Ø13	M 101.10-16 SPB 13												
(Full flow)	Ø10	M 101.10-16 SPF 10												
	Ø13	M 101.10-16 SPF 13												
	<p>Female thread Innengewinde</p> <table border="1"> <tr> <td></td> <td>BSP 3/8</td> <td>M 101.10-16 SFB 17</td> </tr> <tr> <td></td> <td>NPT 3/8</td> <td>M 101.10-16 SNB 17</td> </tr> <tr> <td>(Full flow) </td> <td>BSP 3/8</td> <td>M 101.10-16 SFF 17</td> </tr> <tr> <td></td> <td>NPT 3/8</td> <td>M 101.10-16 SNF 17</td> </tr> </table> 		BSP 3/8	M 101.10-16 SFB 17		NPT 3/8	M 101.10-16 SNB 17	(Full flow)	BSP 3/8	M 101.10-16 SFF 17		NPT 3/8	M 101.10-16 SNF 17	
	BSP 3/8	M 101.10-16 SFB 17												
	NPT 3/8	M 101.10-16 SNB 17												
(Full flow)	BSP 3/8	M 101.10-16 SFF 17												
	NPT 3/8	M 101.10-16 SNF 17												
TYPE K 101.10	Mould side / Abnehmerseite	Item code / Artikelnummer												
		<p>Plate for 16 lines / Platte für 16 Anschlüsse</p> <p>K 101.10-16</p> 												



**rtc** TYPE M 101.10

Flow diameter 10 mm / Nennweite 10 mm

TYPE M 101.10	Mobile side / Versorgerseite	Item code / Artikelnummer	
<p>10 ↔ 10</p>		<p>Standard hose Schlauchanschluss</p>	 <p>Ø10 Ø12</p> <p>(Full flow) </p> <p>Ø10 Ø12</p> <p>M 101.10-20 SHB 10 M 101.10-20 SHB 12 M 101.10-20 SHF 10 M 101.10-20 SHF 12</p> 
		<p>Push to connect Steckschlauchanschluss</p>	 <p>Ø10 Ø13</p> <p>(Full flow) </p> <p>Ø10 Ø13</p> <p>M 101.10-20 SPB 10 M 101.10-20 SPB 13 M 101.10-20 SPF 10 M 101.10-20 SPF 13</p> 
		<p>Female thread Innengewinde</p>	 <p>BSP 3/8 NPT 3/8</p> <p>(Full flow) </p> <p>BSP 3/8 NPT 3/8</p> <p>M 101.10-20 SFB 17 M 101.10-20 SNB 17 M 101.10-20 SFF 17 M 101.10-20 SNF 17</p> 
		<p>Female thread collector Innengewinde Sammler</p>	 <p>BSP 1.1/4 NPT 1.1/4</p> <p>M 101.10-20 C 42 M 101.10-20 CN 42</p> 
<p>TYPE K 101.10</p> <p>10 ↔ 10</p>	<p>Mould side / Abnehmerseite</p> 	<p>Plate for 20 lines / Platte für 20 Anschlüsse</p>	<p>Item code / Artikelnummer</p> <p>K 101.10-20</p> 

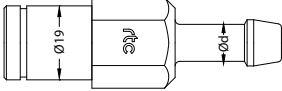

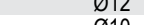



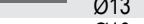



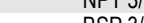




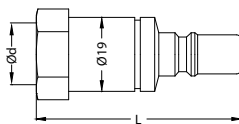




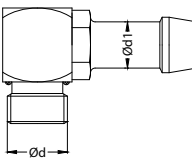
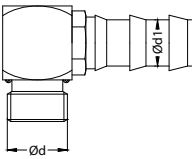
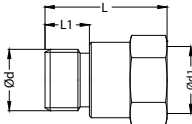
Flow diameter 10 mm / Nennweite 10 mm

TYPE M 101.10 **rtc**

TYPE M 101.10	Mobile side / Versorgerseite	Item code / Artikelnummer										
<p>12 ↔ 12</p>		<p>Standard hose Schlauchanschluss</p>		<table border="1"> <tr><td>Ø10</td><td>M 101.10-24 SHB 10</td></tr> <tr><td>Ø12</td><td>M 101.10-24 SHB 12</td></tr> <tr><td>Ø10</td><td>M 101.10-24 SHF 10</td></tr> <tr><td>Ø12</td><td>M 101.10-24 SHF 12</td></tr> </table>	Ø10	M 101.10-24 SHB 10	Ø12	M 101.10-24 SHB 12	Ø10	M 101.10-24 SHF 10	Ø12	M 101.10-24 SHF 12
	Ø10	M 101.10-24 SHB 10										
	Ø12	M 101.10-24 SHB 12										
	Ø10	M 101.10-24 SHF 10										
	Ø12	M 101.10-24 SHF 12										
	<p>Push to connect Steckschlauchanschluss</p>		<table border="1"> <tr><td>Ø10</td><td>M 101.10-24 SPB 10</td></tr> <tr><td>Ø13</td><td>M 101.10-24 SPB 13</td></tr> <tr><td>Ø10</td><td>M 101.10-24 SPF 10</td></tr> <tr><td>Ø13</td><td>M 101.10-24 SPF 13</td></tr> </table>	Ø10	M 101.10-24 SPB 10	Ø13	M 101.10-24 SPB 13	Ø10	M 101.10-24 SPF 10	Ø13	M 101.10-24 SPF 13	
Ø10	M 101.10-24 SPB 10											
Ø13	M 101.10-24 SPB 13											
Ø10	M 101.10-24 SPF 10											
Ø13	M 101.10-24 SPF 13											
	<p>Female thread Innengewinde</p>		<table border="1"> <tr><td>BSP 3/8</td><td>M 101.10-24 SFB 17</td></tr> <tr><td>NPT 3/8</td><td>M 101.10-24 SNB 17</td></tr> <tr><td>BSP 3/8</td><td>M 101.10-24 SFF 17</td></tr> <tr><td>NPT 3/8</td><td>M 101.10-24 SNF 17</td></tr> </table>	BSP 3/8	M 101.10-24 SFB 17	NPT 3/8	M 101.10-24 SNB 17	BSP 3/8	M 101.10-24 SFF 17	NPT 3/8	M 101.10-24 SNF 17	
BSP 3/8	M 101.10-24 SFB 17											
NPT 3/8	M 101.10-24 SNB 17											
BSP 3/8	M 101.10-24 SFF 17											
NPT 3/8	M 101.10-24 SNF 17											
	<p>Female thread collector Innengewinde Sammler</p>		<table border="1"> <tr><td>BSP 1.1/4</td><td>M 101.10-24 C 42</td></tr> <tr><td>NPT 1.1/4</td><td>M 101.10-24 CN 42</td></tr> </table>	BSP 1.1/4	M 101.10-24 C 42	NPT 1.1/4	M 101.10-24 CN 42					
BSP 1.1/4	M 101.10-24 C 42											
NPT 1.1/4	M 101.10-24 CN 42											
<p>12 ↔ 12</p>	<p>TYPE K 101.10</p> <p>Mould side / Abnehmerseite</p>	<p>Plate for 24 lines / Platte für 24 Anschlüsse</p> <p>Item code / Artikelnummer: K 101.10-24</p>										

rtc TYPE M 101.10

Flow diameter 10 mm / Nennweite 10 mm

TYPE M 101.10	Sockets / Kupplungen	Connection / Anschluss	Item code / Artikelnummer
	Standard hose Schlauchanschluss	 Ø10  Ø12 (Full flow)  Ø10  Ø12	M 101.10 SHB 10 M 101.10 SHB 12 M 101.10 SHF 10 M 101.10 SHF 12
		Push to connect Steckschlauchanschluss	 Ø10  Ø13 (Full flow)  Ø10  Ø13
	Female thread Innengewinde		 BSP 3/8  NPT 3/8 (Full flow)  BSP 3/8  NPT 3/8
		For collector Für Sammler	
			M 101.10 SAF 00
TYPE M 101.10	Plugs / Nippel	Connection / Anschluss	Item code / Artikelnummer
	Female thread Innengewinde	 BSP 3/8  NPT 3/8 (Full flow)  BSP 3/8  NPT 3/8	M 101.10 PFB 17 M 101.10 PNB 17 M 101.10 PFF 17 M 101.10 PNF 17
TYPE M 101.10	Adapters elbow / Adapter Winkel	Connection / Anschluss	Item code / Artikelnummer
	Standard hose Schlauchanschluss	BSP 3/8 → Ø10 Ø12	EBH 17/10-90 EBH 17/12-90
		NPT 3/8 → Ø10 Ø12	EBH 17T/10-90 EBH 17T/12-90
		Push to connect Steckschlauchanschluss	BSP 3/8 → Ø10 Ø13
NTP 3/8 → Ø10 Ø13			EBP 17T/10-90 EBP 17T/13-90
	TE 17-17-20 BSP 3/8" Female - BSP 3/8" Male Extention BSP 3/8" Innengewinde - BSP 3/8" Aussengewinde Verlängerung  TE 17-N17-20 NPT 3/8" Female - BSP 3/8" Male Extention NPT 3/8" Innengewinde - BSP 3/8" Aussengewinde Verlängerung		

Flow diameter 12 mm / Nennweite 12 mm

TYPE M 101.12 **rtc**

TYPE M 101.12	Mobile side / Versorgerseite	Item code / Artikelnummer												
<p>3 ↔ 3</p>		<p>Standard hose Schlauchanschluss</p> <table border="1"> <tr> <td></td> <td>Ø12</td> <td>M 101.12-06 SHB 12</td> </tr> <tr> <td></td> <td>Ø16</td> <td>M 101.12-06 SHB 16</td> </tr> <tr> <td>(Full flow) </td> <td>Ø12</td> <td>M 101.12-06 SHF 12</td> </tr> <tr> <td></td> <td>Ø16</td> <td>M 101.12-06 SHF 16</td> </tr> </table>		Ø12	M 101.12-06 SHB 12		Ø16	M 101.12-06 SHB 16	(Full flow)	Ø12	M 101.12-06 SHF 12		Ø16	M 101.12-06 SHF 16
		Ø12	M 101.12-06 SHB 12											
		Ø16	M 101.12-06 SHB 16											
(Full flow)	Ø12	M 101.12-06 SHF 12												
	Ø16	M 101.12-06 SHF 16												
	<p>Push to connect Steckschlauchanschluss</p> <table border="1"> <tr> <td></td> <td>Ø13</td> <td>M 101.12-06 SPB 13</td> </tr> <tr> <td></td> <td>Ø16</td> <td>M 101.12-06 SPB 16</td> </tr> <tr> <td>(Full flow) </td> <td>Ø13</td> <td>M 101.12-06 SPF 13</td> </tr> <tr> <td></td> <td>Ø16</td> <td>M 101.12-06 SPF 16</td> </tr> </table>		Ø13	M 101.12-06 SPB 13		Ø16	M 101.12-06 SPB 16	(Full flow)	Ø13	M 101.12-06 SPF 13		Ø16	M 101.12-06 SPF 16	
	Ø13	M 101.12-06 SPB 13												
	Ø16	M 101.12-06 SPB 16												
(Full flow)	Ø13	M 101.12-06 SPF 13												
	Ø16	M 101.12-06 SPF 16												
	<p>Female thread Innengewinde</p> <table border="1"> <tr> <td></td> <td>BSP 1/2</td> <td>M 101.12-06 SFB 21</td> </tr> <tr> <td></td> <td>NPT 1/2</td> <td>M 101.12-06 SNB 21</td> </tr> <tr> <td>(Full flow) </td> <td>BSP 1/2</td> <td>M 101.12-06 SFF 21</td> </tr> <tr> <td></td> <td>NPT 1/2</td> <td>M 101.12-06 SNF 21</td> </tr> </table>		BSP 1/2	M 101.12-06 SFB 21		NPT 1/2	M 101.12-06 SNB 21	(Full flow)	BSP 1/2	M 101.12-06 SFF 21		NPT 1/2	M 101.12-06 SNF 21	
	BSP 1/2	M 101.12-06 SFB 21												
	NPT 1/2	M 101.12-06 SNB 21												
(Full flow)	BSP 1/2	M 101.12-06 SFF 21												
	NPT 1/2	M 101.12-06 SNF 21												
<p>3 ↔ 3</p>	<p>Mould side / Abnehmerseite</p>	<p>Plate for 6 lines / Platte für 6 Anschlüsse</p> <p>K 101.12-06</p>												

**rtc** TYPE M 101.12

Flow diameter 12 mm / Nennweite 12 mm

TYPE M 101.12	Mobile side / Versorgerseite	Item code / Artikelnummer												
<p>5 ↔ 5</p>		<p>Standard hose Schlauchanschluss</p> <table border="1"> <tr> <td></td> <td>Ø12</td> <td>M 101.12-10 SHB 12</td> </tr> <tr> <td></td> <td>Ø16</td> <td>M 101.12-10 SHB 16</td> </tr> <tr> <td>(Full flow) </td> <td>Ø12</td> <td>M 101.12-10 SHF 12</td> </tr> <tr> <td></td> <td>Ø16</td> <td>M 101.12-10 SHF 16</td> </tr> </table>		Ø12	M 101.12-10 SHB 12		Ø16	M 101.12-10 SHB 16	(Full flow)	Ø12	M 101.12-10 SHF 12		Ø16	M 101.12-10 SHF 16
	Ø12	M 101.12-10 SHB 12												
	Ø16	M 101.12-10 SHB 16												
(Full flow)	Ø12	M 101.12-10 SHF 12												
	Ø16	M 101.12-10 SHF 16												
		<p>Push to connect Steckschlauchanschluss</p> <table border="1"> <tr> <td></td> <td>Ø13</td> <td>M 101.12-10 SPB 13</td> </tr> <tr> <td></td> <td>Ø16</td> <td>M 101.12-10 SPB 16</td> </tr> <tr> <td>(Full flow) </td> <td>Ø13</td> <td>M 101.12-10 SPF 13</td> </tr> <tr> <td></td> <td>Ø16</td> <td>M 101.12-10 SPF 16</td> </tr> </table>		Ø13	M 101.12-10 SPB 13		Ø16	M 101.12-10 SPB 16	(Full flow)	Ø13	M 101.12-10 SPF 13		Ø16	M 101.12-10 SPF 16
	Ø13	M 101.12-10 SPB 13												
	Ø16	M 101.12-10 SPB 16												
(Full flow)	Ø13	M 101.12-10 SPF 13												
	Ø16	M 101.12-10 SPF 16												
		<p>Female thread Innengewinde</p> <table border="1"> <tr> <td></td> <td>BSP 1/2</td> <td>M 101.12-10 SFB 21</td> </tr> <tr> <td></td> <td>NPT 1/2</td> <td>M 101.12-10 SNB 21</td> </tr> <tr> <td>(Full flow) </td> <td>BSP 1/2</td> <td>M 101.12-10 SFF 21</td> </tr> <tr> <td></td> <td>NPT 1/2</td> <td>M 101.12-10 SNF 21</td> </tr> </table>		BSP 1/2	M 101.12-10 SFB 21		NPT 1/2	M 101.12-10 SNB 21	(Full flow)	BSP 1/2	M 101.12-10 SFF 21		NPT 1/2	M 101.12-10 SNF 21
	BSP 1/2	M 101.12-10 SFB 21												
	NPT 1/2	M 101.12-10 SNB 21												
(Full flow)	BSP 1/2	M 101.12-10 SFF 21												
	NPT 1/2	M 101.12-10 SNF 21												
TYPE K 101.12	Mould side / Abnehmerseite	Item code / Artikelnummer												
<p>5 ↔ 5</p>		<p>Plate with 10 plugs Platte mit 10 Anschlüsse</p> <table border="1"> <tr> <td></td> <td>BSP 1/2</td> <td>K 101.12-10 PMB 21</td> </tr> <tr> <td>(Full flow) </td> <td>BSP 1/2</td> <td>K 101.12-10 PMF 21</td> </tr> </table>		BSP 1/2	K 101.12-10 PMB 21	(Full flow)	BSP 1/2	K 101.12-10 PMF 21						
	BSP 1/2	K 101.12-10 PMB 21												
(Full flow)	BSP 1/2	K 101.12-10 PMF 21												



Flow diameter 12 mm / Nennweite 12 mm

TYPE M 101.12 **rtc**

TYPE M 101.12	Mobile side / Versorgerseite		Item code / Artikelnummer									
<p>6 ↔ 6</p>		<p>Standard hose Schlauchanschluss</p>		<table border="1"> <tr><td>Ø12</td><td>M 101.12-12 SHB 12</td></tr> <tr><td>Ø16</td><td>M 101.12-12 SHB 16</td></tr> <tr><td>Ø12</td><td>M 101.12-12 SHF 12</td></tr> <tr><td>Ø16</td><td>M 101.12-12 SHF 16</td></tr> </table>	Ø12	M 101.12-12 SHB 12	Ø16	M 101.12-12 SHB 16	Ø12	M 101.12-12 SHF 12	Ø16	M 101.12-12 SHF 16
	Ø12	M 101.12-12 SHB 12										
	Ø16	M 101.12-12 SHB 16										
Ø12	M 101.12-12 SHF 12											
Ø16	M 101.12-12 SHF 16											
	<p>Push to connect Steckschlauchanschluss</p>		<table border="1"> <tr><td>Ø13</td><td>M 101.12-12 SPB 13</td></tr> <tr><td>Ø16</td><td>M 101.12-12 SPB 16</td></tr> <tr><td>Ø13</td><td>M 101.12-12 SPF 13</td></tr> <tr><td>Ø16</td><td>M 101.12-12 SPF 16</td></tr> </table>	Ø13	M 101.12-12 SPB 13	Ø16	M 101.12-12 SPB 16	Ø13	M 101.12-12 SPF 13	Ø16	M 101.12-12 SPF 16	
Ø13	M 101.12-12 SPB 13											
Ø16	M 101.12-12 SPB 16											
Ø13	M 101.12-12 SPF 13											
Ø16	M 101.12-12 SPF 16											
	<p>Female thread Innengewinde</p>		<table border="1"> <tr><td>BSP 1/2</td><td>M 101.12-12 SFB 21</td></tr> <tr><td>NPT 1/2</td><td>M 101.12-12 SNB 21</td></tr> <tr><td>BSP 1/2</td><td>M 101.12-12 SFF 21</td></tr> <tr><td>NPT 1/2</td><td>M 101.12-12 SNF 21</td></tr> </table>	BSP 1/2	M 101.12-12 SFB 21	NPT 1/2	M 101.12-12 SNB 21	BSP 1/2	M 101.12-12 SFF 21	NPT 1/2	M 101.12-12 SNF 21	
BSP 1/2	M 101.12-12 SFB 21											
NPT 1/2	M 101.12-12 SNB 21											
BSP 1/2	M 101.12-12 SFF 21											
NPT 1/2	M 101.12-12 SNF 21											
<p>6 ↔ 6</p>	<p>Mould side / Abnehmerseite</p>		<p>Item code / Artikelnummer</p> <p>Plate for 12 lines / Platte für 12 Anschlüsse</p> <p>K 101.12-12</p>									



**rtc** TYPE M 101.12

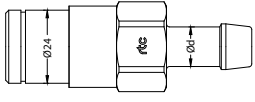

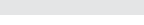








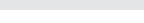



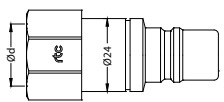




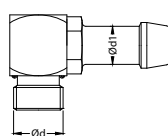
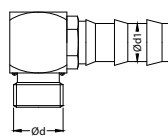
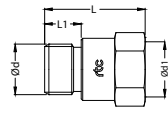
Flow diameter 12 mm / Nennweite 12 mm

TYPE M 101.12	Mobile side / Versorgerseite	Item code / Artikelnummer												
<p>9 ↔ 9</p>		<p>Standard hose Schlauchanschluss</p> <table border="1"> <tr> <td></td> <td>Ø12</td> <td>M 101.12-18 SHB 12</td> </tr> <tr> <td></td> <td>Ø16</td> <td>M 101.12-18 SHB 16</td> </tr> <tr> <td>(Full flow) </td> <td>Ø12</td> <td>M 101.12-18 SHF 12</td> </tr> <tr> <td></td> <td>Ø16</td> <td>M 101.12-18 SHF 16</td> </tr> </table>		Ø12	M 101.12-18 SHB 12		Ø16	M 101.12-18 SHB 16	(Full flow)	Ø12	M 101.12-18 SHF 12		Ø16	M 101.12-18 SHF 16
		Ø12	M 101.12-18 SHB 12											
		Ø16	M 101.12-18 SHB 16											
(Full flow)	Ø12	M 101.12-18 SHF 12												
	Ø16	M 101.12-18 SHF 16												
	<p>Push to connect Steckschlauchanschluss</p> <table border="1"> <tr> <td></td> <td>Ø13</td> <td>M 101.12-18 SPB 13</td> </tr> <tr> <td></td> <td>Ø16</td> <td>M 101.12-18 SPB 16</td> </tr> <tr> <td>(Full flow) </td> <td>Ø13</td> <td>M 101.12-18 SPF 13</td> </tr> <tr> <td></td> <td>Ø16</td> <td>M 101.12-18 SPF 16</td> </tr> </table>		Ø13	M 101.12-18 SPB 13		Ø16	M 101.12-18 SPB 16	(Full flow)	Ø13	M 101.12-18 SPF 13		Ø16	M 101.12-18 SPF 16	
	Ø13	M 101.12-18 SPB 13												
	Ø16	M 101.12-18 SPB 16												
(Full flow)	Ø13	M 101.12-18 SPF 13												
	Ø16	M 101.12-18 SPF 16												
	<p>Female thread Innengewinde</p> <table border="1"> <tr> <td></td> <td>BSP 1/2</td> <td>M 101.12-18 SFB 21</td> </tr> <tr> <td></td> <td>NPT 1/2</td> <td>M 101.12-18 SNB 21</td> </tr> <tr> <td>(Full flow) </td> <td>BSP 1/2</td> <td>M 101.12-18 SFF 21</td> </tr> <tr> <td></td> <td>NPT 1/2</td> <td>M 101.12-18 SNF 21</td> </tr> </table>		BSP 1/2	M 101.12-18 SFB 21		NPT 1/2	M 101.12-18 SNB 21	(Full flow)	BSP 1/2	M 101.12-18 SFF 21		NPT 1/2	M 101.12-18 SNF 21	
	BSP 1/2	M 101.12-18 SFB 21												
	NPT 1/2	M 101.12-18 SNB 21												
(Full flow)	BSP 1/2	M 101.12-18 SFF 21												
	NPT 1/2	M 101.12-18 SNF 21												
<p>9 ↔ 9</p>	<p>Mould side / Abnehmerseite</p>	<p>Plate for 18 lines / Platte für 18 Anschlüsse</p> <p>K 101.12-18</p>												

TYPE M 101.12	Mobile side / Versorgerseite	Item code / Artikelnummer												
<p>10 ← → 10</p>		<p>Standard hose Schlauchanschluss</p> <table border="0"> <tr> <td></td> <td>Ø12</td> <td>M 101.12-20 SHB 12</td> </tr> <tr> <td></td> <td>Ø16</td> <td>M 101.12-20 SHB 16</td> </tr> <tr> <td>(Full flow) </td> <td>Ø12</td> <td>M 101.12-20 SHF 12</td> </tr> <tr> <td></td> <td>Ø16</td> <td>M 101.12-20 SHF 16</td> </tr> </table>		Ø12	M 101.12-20 SHB 12		Ø16	M 101.12-20 SHB 16	(Full flow)	Ø12	M 101.12-20 SHF 12		Ø16	M 101.12-20 SHF 16
		Ø12	M 101.12-20 SHB 12											
		Ø16	M 101.12-20 SHB 16											
(Full flow)	Ø12	M 101.12-20 SHF 12												
	Ø16	M 101.12-20 SHF 16												
	<p>Push to connect Steckschlauchanschluss</p> <table border="0"> <tr> <td></td> <td>Ø13</td> <td>M 101.12-20 SPB 13</td> </tr> <tr> <td></td> <td>Ø16</td> <td>M 101.12-20 SPB 16</td> </tr> <tr> <td>(Full flow) </td> <td>Ø13</td> <td>M 101.12-20 SPF 13</td> </tr> <tr> <td></td> <td>Ø16</td> <td>M 101.12-20 SPF 16</td> </tr> </table>		Ø13	M 101.12-20 SPB 13		Ø16	M 101.12-20 SPB 16	(Full flow)	Ø13	M 101.12-20 SPF 13		Ø16	M 101.12-20 SPF 16	
	Ø13	M 101.12-20 SPB 13												
	Ø16	M 101.12-20 SPB 16												
(Full flow)	Ø13	M 101.12-20 SPF 13												
	Ø16	M 101.12-20 SPF 16												
	<p>Female thread Innengewinde</p> <table border="0"> <tr> <td></td> <td>BSP 1/2</td> <td>M 101.12-20 SFB 21</td> </tr> <tr> <td></td> <td>NPT 1/2</td> <td>M 101.12-20 SNB 21</td> </tr> <tr> <td>(Full flow) </td> <td>BSP 1/2</td> <td>M 101.12-20 SFF 21</td> </tr> <tr> <td></td> <td>NPT 1/2</td> <td>M 101.12-20 SNF 21</td> </tr> </table>		BSP 1/2	M 101.12-20 SFB 21		NPT 1/2	M 101.12-20 SNB 21	(Full flow)	BSP 1/2	M 101.12-20 SFF 21		NPT 1/2	M 101.12-20 SNF 21	
	BSP 1/2	M 101.12-20 SFB 21												
	NPT 1/2	M 101.12-20 SNB 21												
(Full flow)	BSP 1/2	M 101.12-20 SFF 21												
	NPT 1/2	M 101.12-20 SNF 21												
TYPE K 101.12	Mould side / Abnehmerseite	Item code / Artikelnummer												
<p>10 ← → 10</p>		<p>Plate for 20 lines / Platte für 20 Anschlüsse</p> <p>K 101.12-20</p>												

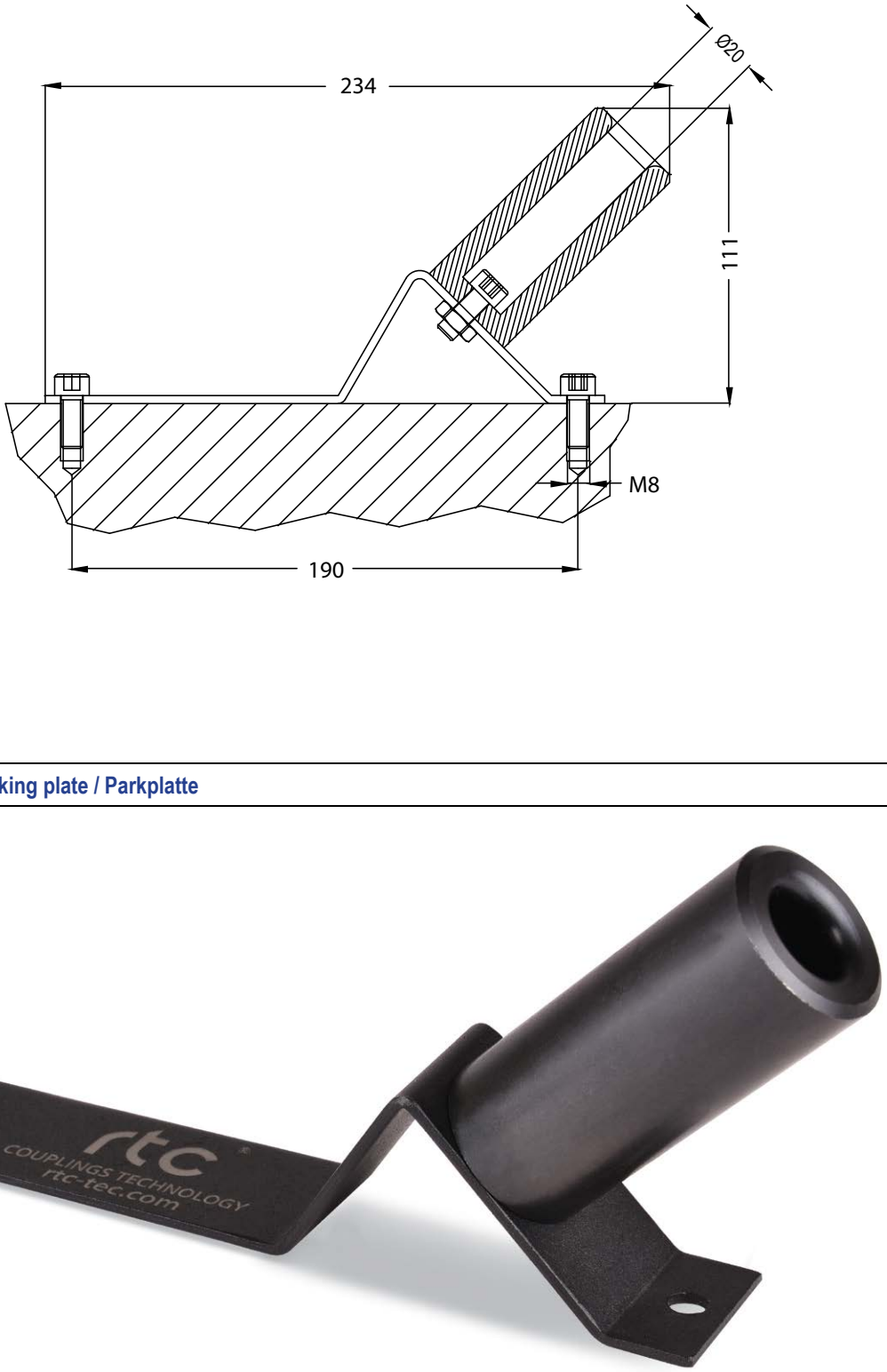
**rtc** TYPE M 101.12

Flow diameter 12 mm / Nennweite 12 mm

TYPE M 101.12	Sockets / Kupplungen	Connection / Anschluss	Item code / Artikelnummer
	Standard hose Schlauchanschluss	 Ø12  Ø16 (Full flow)  Ø12  Ø16	M 101.12 SHB 12 M 101.12 SHB 16 M 101.12 SHF 12 M 101.12 SHF 16
		Push to connect Steckschlauchanschluss	 Ø13  Ø16 (Full flow)  Ø13  Ø16
	Female thread Innengewinde		 BSP 1/2  NPT 1/2 (Full flow)  BSP 1/2  NPT 1/2
		For collector Für Sammler	
	M 101.12 SAF 00		
TYPE M 101.12	Plugs / Nippel	Connection / Anschluss	Item code / Artikelnummer
	Female thread Innengewinde	 BSP 1/2  NPT 1/2 (Full flow)  BSP 1/2  NPT 1/2	M 101.12 PFB 21 M 101.12 PNB 21 M 101.12 PFF 21 M 101.12 PNF 21
TYPE M 101.12	Adapters elbow / Adapter Winkel	Connection / Anschluss	Item code / Artikelnummer
	Standard hose Schlauchanschluss	BSP 1/2 → Ø12 Ø16	EBH 21/12-90 EBH 21/16-90
		NPT 1/2 → Ø12 Ø16	EBH 21T/12-90 EBH 21T/16-90
	Push to connect Steckschlauchanschluss	BSP 1/2 → Ø13 Ø16	EBP 21/13-90 EBP 21/16-90
		NPT 1/2 → Ø13 Ø16	EBP 21T/13-90 EBP 21T/16-90
		TE 21-21 - 24 BSP 1/2" Female - BSP 1/2" Male Extention BSP 1/2" Innengewinde - BSP 1/2" Aussengewinde Verlängerung	
		TEN 21-21 - 24 NPT 1/2" Female - BSP 1/2" Male Extention NPT 1/2" Innengewinde - BSP 1/2" Aussengewinde Verlängerung	

Flow diameter 12 mm / Nennweite 12 mm

TYPE M 101.12 **rtc**

<p>TYPE M 101.12</p>	<p>Parking plate / Parkplatte</p>	<p>Item code / Artikelnummer</p>	
	<p>For mobile side Für Versorgerseiten</p>	<p>6 / 10 / 12 / 18 / 20</p>	<p>M 104.08-06 PP</p>
<p>TYPE M 101.12</p>	<p>Parking plate / Parkplatte</p> 		

rtc TYPE M 101.16

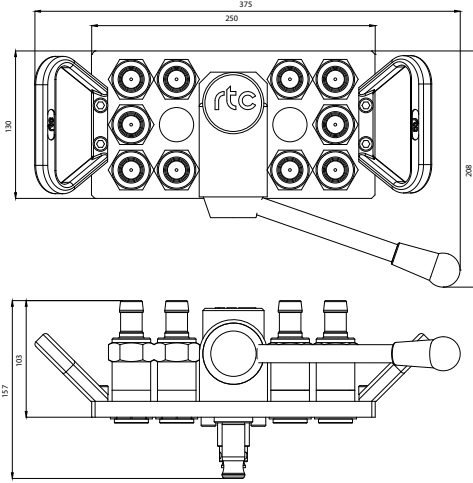
Flow diameter 16 mm / Nennweite 16 mm

TYPE M 101.16

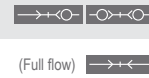
Mobile side / Versorgerseite

Item code / Artikelnummer

5 ↔ 5

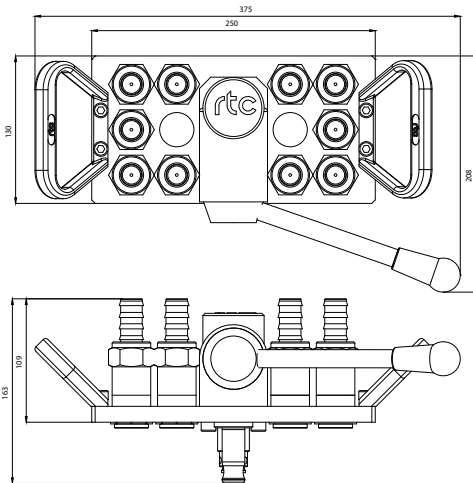


Standard hose  
Schlauchanschluss

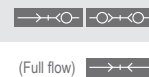


Ø16  
Ø19  
Ø16  
Ø19

M 101.16-10 SHB 16  
M 101.16-10 SHB 19  
M 101.16-10 SHF 16  
M 101.16-10 SHF 19

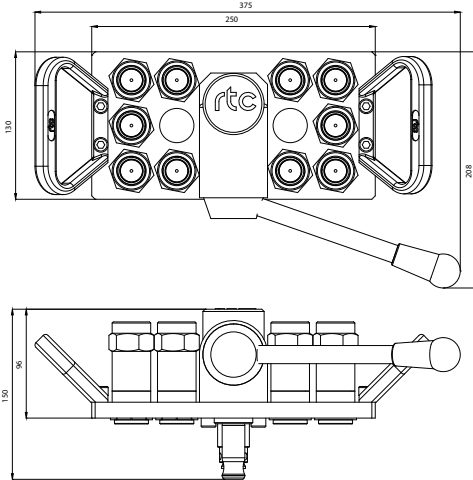
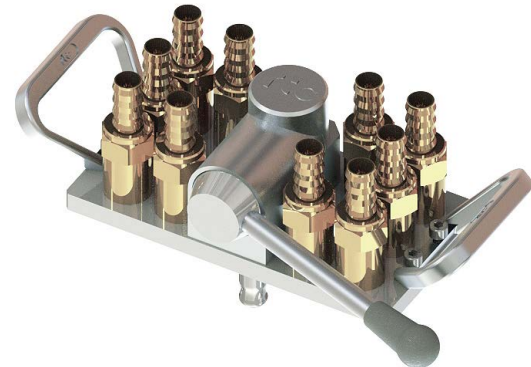


Push to connect  
Steckschlauchanschluss



Ø16  
Ø19  
Ø16  
Ø19

M 101.16-10 SPB 16  
M 101.16-10 SPB 19  
M 101.16-10 SPF 16  
M 101.16-10 SPF 19



Female thread  
Innengewinde



BSP 3/4  
NPT 3/4  
BSP 3/4  
NPT 3/4

M 101.16-10 SFB 26  
M 101.16-10 SNB 26  
M 101.16-10 SFF 26  
M 101.16-10 SNF 26





Flow diameter 16 mm / Nennweite 16 mm

TYPE K 101.16 **rtc**

TYPE K 101.16	Mobile side / Versorgerseite		Item code / Artikelnummer	
<p>5 ↔ 5</p>		<p>Plate with 10 plugs Platte mit 10 Anschlüsse</p>	<p>BSP 3/4 NPT 3/4</p>	<p>K 101.16-10 PMB 26 K 101.16-10 PMB 26N</p>
<p>5 ↔ 5</p>		<p>Plate with 10 plugs Platte mit 10 Anschlüsse</p>	<p>(Full flow)  BSP 3/4 NPT 3/4</p>	<p>K 101.16-10 PMF 26 K 101.16-10 PMF 26N</p>



**rtc** TYPE M 101.16

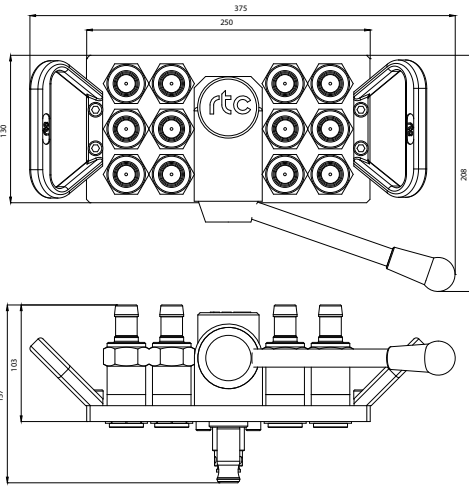
Flow diameter 16 mm / Nennweite 16 mm

TYPE M 101.16

Mobile side / Versorgerseite

Item code / Artikelnummer

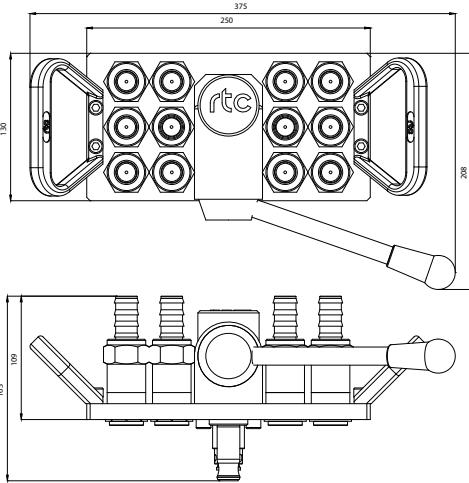
6 ↔ 6



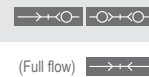
Standard hose  
Schlauchanschluss



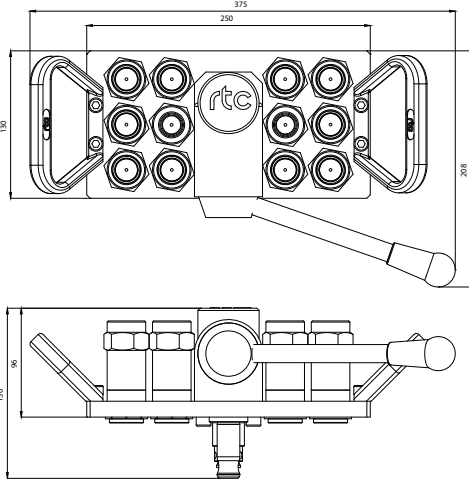
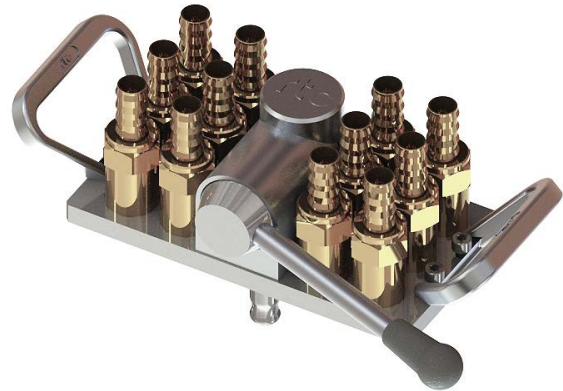
Ø16	M 101.16-12 SHB 16
Ø19	M 101.16-12 SHB 19
Ø16	M 101.16-12 SHF 16
Ø19	M 101.16-12 SHF 19



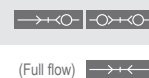
Push to connect  
Steckschlauchanschluss



Ø16	M 101.16-12 SPB 16
Ø19	M 101.16-12 SPB 19
Ø16	M 101.16-12 SPF 16
Ø19	M 101.16-12 SPF 19



Female thread  
Innengewinde



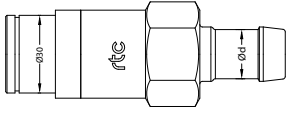

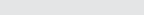


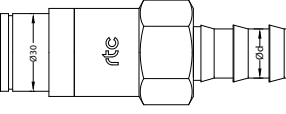




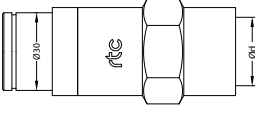




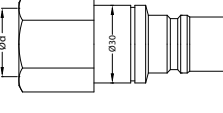

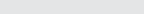


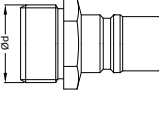


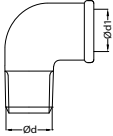
BSP 3/4	M 101.16-12 SFB 26
NPT 3/4	M 101.16-12 SNB 26
BSP 3/4	M 101.16-12 SFF 26
NPT 3/4	M 101.16-12 SNF 26



TYPE K 101.16	Mobile side / Versorgerseite		Item code / Artikelnummer
<div style="border: 1px solid black; padding: 5px; display: inline-block;">6 ↔ 6</div>		<p>Plate with 12 plugs Platte mit 12 Anschlüsse</p> <p>BSP 3/4 NPT 3/4</p>	<p>K 101.16-12 PMB 26 K 101.16-12 PMB 26N</p>
		<p>Plate with 12 plugs Platte mit 12 Anschlüsse</p> <p>(Full flow) BSP 3/4 NPT 3/4</p>	<p>K 101.16-12 PMF 26 K 101.16-12 PMF 26N</p>
		<p>Plate for 12 lines / Platte für 12 Anschlüsse</p>	<p>K 101.16-12</p>

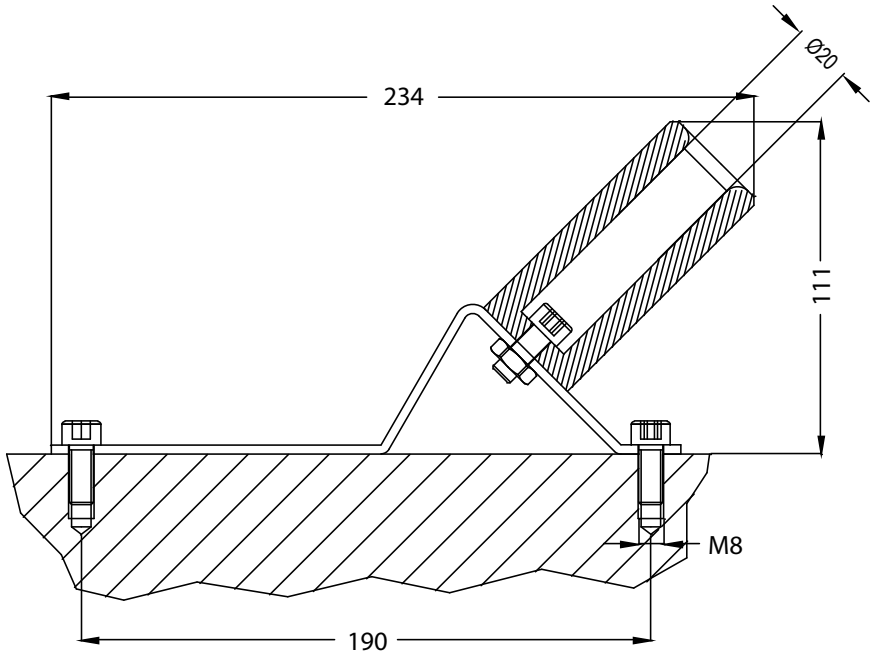
rtc TYPE M 101.16

Flow diameter 16 mm / Nennweite 16 mm

TYPE M 101.16	Sockets / Kupplungen	Connection / Anschluss	Item code / Artikelnummer	
	Standard hose Schlauchanschluss	 Ø16  Ø19 (Full flow)  Ø16  Ø19	M 101.16 SHB 16 M 101.16 SHB 19 M 101.16 SHF 16 M 101.16 SHF 19	
		Push to connect Steckschlauchanschluss	 Ø16  Ø19 (Full flow)  Ø16  Ø19	M 101.16 SPB 16 M 101.16 SPB 19 M 101.16 SPF 16 M 101.16 SPF 19
		Female thread Innengewinde	 BSP 3/4  NPT 3/4 (Full flow)  BSP 3/4  NPT 3/4	M 101.16 SFB 26 M 101.16 SNB 26 M 101.16 SFF 26 M 101.16 SNF 26
TYPE M 101.16	Plugs / Nippel	Connection / Anschluss	Item code / Artikelnummer	
	Female thread Innengewinde	 BSP 3/4  NPT 3/4 (Full flow)  BSP 3/4  NPT 3/4	M 101.16 PFB 26 M 101.16 PNB 26 M 101.16 PFF 26 M 101.16 PNF 26	
		Male thread Aussengewinde	 BSP 1 (Full flow)  BSP 1	101.16 PMB 33 101.16 PMF 33
TYPE M 101.16	Adapters elbow / Adapter Winkel	Connection / Anschluss	Item code / Artikelnummer	
	Elbow Winkelanschluss	BSP 3/4 - BSPT 3/4 NPT 3/4 - NPT 3/4	RFN 26/26-90 NTN 26/26-90	

Flow diameter 16 mm / Nennweite 16 mm

TYPE M 101.16 **rtc**

<p>TYPE M 101.16</p>	<p>Parking plate / Parkplatte</p>	<p>Item code / Artikelnummer</p>
	<p>For mobile side Für Versorgerseiten</p>	<p>10 / 12</p>
		
<p>TYPE M 101.16</p>	<p>Parking plate / Parkplatte</p>	