



rtc[®]
COUPLING TECHNOLOGY
www.rtc-tec.com



M104

rtc TYPE

rtc Multicoupling systems
rtc Multikupplungssysteme type M104



rtc Multicoupling systems / rtc Multikupplungssysteme type M104



Type	Max. Working Pressure Max. Betriebsdruck	Flow size Nennweite	Connections Anschlüsse	Circuits Kreislauf
rtc M104.08 rtc M104.10	200 bar 200 bar	08 10	2 - 4 - 6 - 8	1 ↔ 1 2 ↔ 2 3 ↔ 3 4 ↔ 4

Temperature Range - Temperaturbereich

-10°C +100°C (+14°F +212°F) - Nitrile (N)
-10°C +150°C (+14° +302°F) FPM (V)



Specification

Connecting and disconnecting the circuits in one operation for quick mold change
2 different sizes (Ø8, Ø10)
Compact design
Non spill
Code syst

Eigenschaften

Verbinden und Trennen von mehreren Kreisläufen in einem Arbeitsgang für das schnelle Rüsten
Erhältlich in 2 Nennweiten (Ø8, Ø10)
Robuster Verriegelungsmechanismus
Flat Face
Kodierbar

Applications

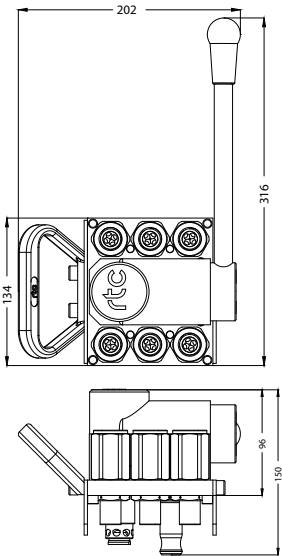
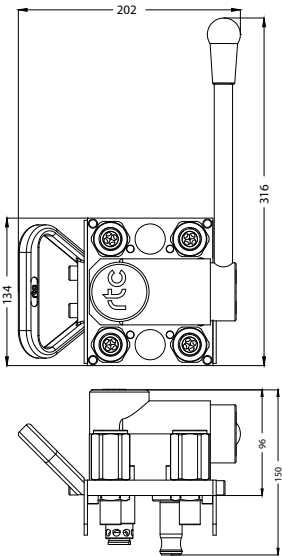
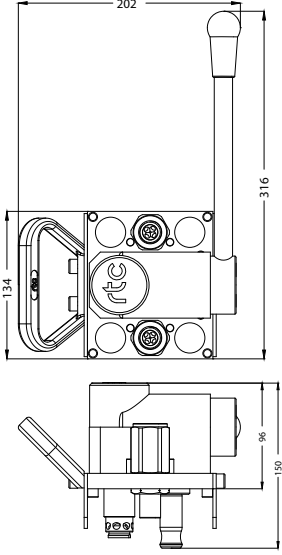
Aluminium die casting
Test units
Plastics industry / cooling heating
Core pullers

Anwendungen

Aluminiumdruckguß
Prüfstände
Kunststoffindustrie / Mehrkreistemperierung / Kühlen Temperieren
Kernzüge

rtc TYPE M 104.08

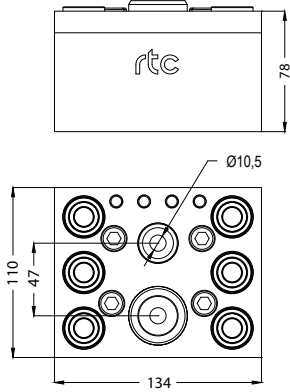
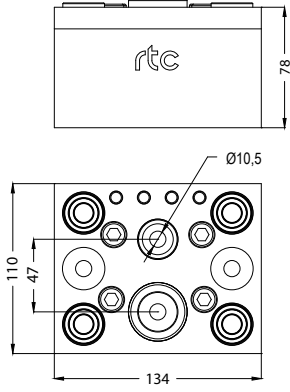
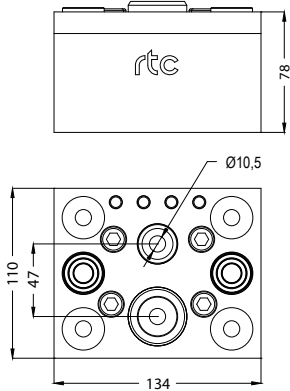
Flow diameter 8 mm / Nennweite 8 mm

TYPE M 104.08	Mobile side with locking mechanism system / Versorgerseite mit Verriegelungsmechanismus	Item code / Artikelnummer		
<p>3 ↔ 3</p> 		<p>Female thread Innengewinde</p>	<p>BSP 3/8 BSP 1/2 UNF 9/16-18 UNF 3/4-16 NPT 3/8 NPT 1/2</p>	<p>M 104.08-06 PFB 17 M 104.08-06 PFB 21 M 104.08-06 PUB 1418 M 104.08-06 PUB 1916 M 104.08-06 PNB 17 M 104.08-06 PNB 21</p>
<p>2 ↔ 2</p> 		<p>Female thread Innengewinde</p>	<p>BSP 3/8 BSP 1/2 UNF 9/16-18 UNF 3/4-16 NPT 3/8 NPT 1/2</p>	<p>M 104.08-04 PFB 17 M 104.08-04 PFB 21 M 104.08-04 PUB 1418 M 104.08-04 PUB 1916 M 104.08-04 PNB 17 M 104.08-04 PNB 21</p>
<p>1 ↔ 1</p> 		<p>Female thread Innengewinde</p>	<p>BSP 3/8 BSP 1/2 UNF 9/16-18 UNF 3/4-16 NPT 3/8 NPT 1/2</p>	<p>M 104.08-02 PFB 17 M 104.08-02 PFB 21 M 104.08-02 PUB 1418 M 104.08-02 PUB 1916 M 104.08-02 PNB 17 M 104.08-02 PNB 21</p>



Flow diameter 8 mm / Nennweite 8 mm

TYPE M 104.08 **rtc**

TYPE K 104.08	Mould side / Abnehmerseite		Item code / Artikelnummer	
<p>3 ↔ 3</p> 		<p>Female thread Innengewinde</p>	<p>BSP 3/8 BSP 1/2 UNF 9/16-18 UNF 3/4-16 NPT 3/8 NPT 1/2</p>	<p>K 104.08-06 SAB 17 K 104.08-06 SAB 21 K 104.08-06 SAB 1418 U K 104.08-06 SAB 1916 U K 104.08-06 SAB 17 N K 104.08-06 SAB 21 N</p>
<p>2 ↔ 2</p> 		<p>Female thread Innengewinde</p>	<p>BSP 3/8 BSP 1/2 UNF 9/16-18 UNF 3/4-16 NPT 3/8 NPT 1/2</p>	<p>K 104.08-04 SAB 17 K 104.08-04 SAB 21 K 104.08-04 SAB 1418 U K 104.08-04 SAB 1916 U K 104.08-04 SAB 17 N K 104.08-04 SAB 21 N</p>
<p>1 ↔ 1</p> 		<p>Female thread Innengewinde</p>	<p>BSP 3/8 BSP 1/2 UNF 9/16-18 UNF 3/4-16 NPT 3/8 NPT 1/2</p>	<p>K 104.08-02 SAB 17 K 104.08-02 SAB 21 K 104.08-02 SAB 1418 U K 104.08-02 SAB 1916 U K 104.08-02 SAB 17 N K 104.08-02 SAB 21 N</p>

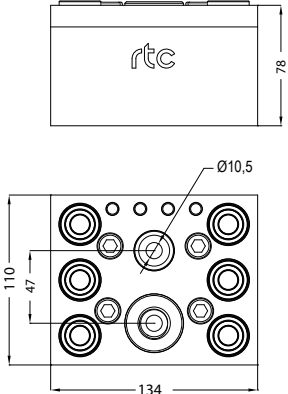

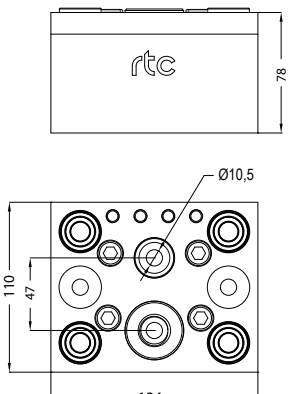

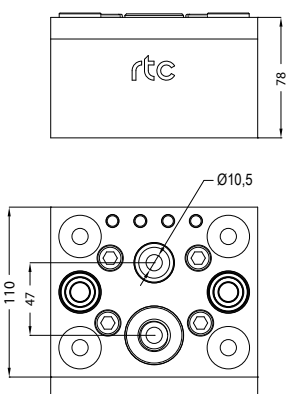

rtc TYPE M 104.08

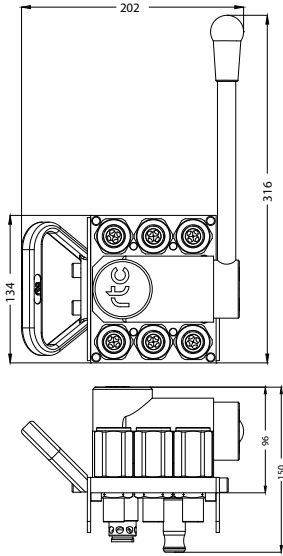
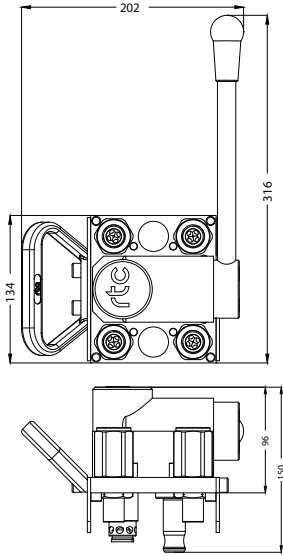
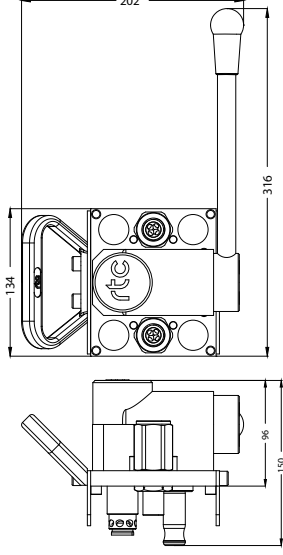
Flow diameter 8 mm / Nennweite 8 mm

TYPE M 104.08	Mobile side with locking screw / Versorgerseite mit Spindelverschraubung		Item code / Artikelnummer
<p>3 ↔ 3</p>		<p>Female thread Innengewinde</p>	<p>BSP 3/8 BSP 1/2 UNF 9/16-18 UNF 3/4-16 NPT 3/8 NPT 1/2</p> <p>M 104.08-06 PFB 17 LP M 104.08-06 PFB 21 LP M 104.08-06 PUB 1418 LP M 104.08-06 PUB 1916 LP M 104.08-06 PNB 17 LP M 104.08-06 PNB 21 LP</p>
<p>2 ↔ 2</p>		<p>Female thread Innengewinde</p>	<p>BSP 3/8 BSP 1/2 UNF 9/16-18 UNF 3/4-16 NPT 3/8 NPT 1/2</p> <p>M 104.08-04 PFB 17 LP M 104.08-04 PFB 21 LP M 104.08-04 PUB 1418 LP M 104.08-04 PUB 1916 LP M 104.08-04 PNB 17 LP M 104.08-04 PNB 21 LP</p>
<p>1 ↔ 1</p>		<p>Female thread Innengewinde</p>	<p>BSP 3/8 BSP 1/2 UNF 9/16-18 UNF 3/4-16 NPT 3/8 NPT 1/2</p> <p>M 104.08-02 PFB 17 LP M 104.08-02 PFB 21 LP M 104.08-02 PUB 1418 LP M 104.08-02 PUB 1916 LP M 104.08-02 PNB 17 LP M 104.08-02 PNB 21 LP</p>

Flow diameter 8 mm / Nennweite 8 mm

TYPE M 104.08 **rtc**

TYPE K 104.08	Mould side with locking nut / Abnehmerseite mit Schraubbochse		Item code / Artikelnummer
<p>3 ↔ 3</p> 	<p>Female thread Innengewinde</p>	<p>BSP 3/8 BSP 1/2 UNF 9/16-18 UNF 3/4-16 NPT 3/8 NPT 1/2</p>	<p>K 104.08-06 SAB 17 LN K 104.08-06 SAB 21 LN K 104.08-06 SAB 1418 U LN K 104.08-06 SAB 1916 U LN K 104.08-06 SAB 17 N LN K 104.08-06 SAB 21 N LN</p> 
<p>2 ↔ 2</p> 	<p>Female thread Innengewinde</p>	<p>BSP 3/8 BSP 1/2 UNF 9/16-18 UNF 3/4-16 NPT 3/8 NPT 1/2</p>	<p>K 104.08-04 SAB 17 LN K 104.08-04 SAB 21 LN K 104.08-04 SAB 1418 U LN K 104.08-04 SAB 1916 U LN K 104.08-04 SAB 17 N LN K 104.08-04 SAB 21 N LN</p> 
<p>1 ↔ 1</p> 	<p>Female thread Innengewinde</p>	<p>BSP 3/8 BSP 1/2 UNF 9/16-18 UNF 3/4-16 NPT 3/8 NPT 1/2</p>	<p>K 104.08-02 SAB 17 LN K 104.08-02 SAB 21 LN K 104.08-02 SAB 1418 U LN K 104.08-02 SAB 1916 U LN K 104.08-02 SAB 17 N LN K 104.08-02 SAB 21 N LN</p> 

TYPE M 104.10	Mobile side with locking mechanism system / Versorgerseite mit Verriegelungsmechanismus	Item code / Artikelnummer		
<p>3 ↔ 3</p>		<p>Female thread Innengewinde</p>	<p>BSP 3/8 BSP 1/2 UNF 9/16-18 UNF 3/4-16 NPT 3/8 NPT 1/2</p>	<p>M 104.10-06 PFB 17 M 104.10-06 PFB 21 M 104.10-06 PUB 1418 M 104.10-06 PUB 1916 M 104.10-06 PNB 17 M 104.10-06 PNB 21</p>
<p>2 ↔ 2</p>		<p>Female thread Innengewinde</p>	<p>BSP 3/8 BSP 1/2 UNF 9/16-18 UNF 3/4-16 NPT 3/8 NPT 1/2</p>	<p>M 104.10-04 PFB 17 M 104.10-04 PFB 21 M 104.10-04 PUB 1418 M 104.10-04 PUB 1916 M 104.10-04 PNB 17 M 104.10-04 PNB 21</p>
<p>1 ↔ 1</p>		<p>Female thread Innengewinde</p>	<p>BSP 3/8 BSP 1/2 UNF 9/16-18 UNF 3/4-16 NPT 3/8 NPT 1/2</p>	<p>M 104.10-02 PFB 17 M 104.10-02 PFB 21 M 104.10-02 PUB 1418 M 104.10-02 PUB 1916 M 104.10-02 PNB 17 M 104.10-02 PNB 21</p>

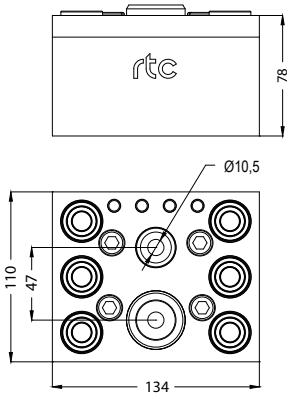

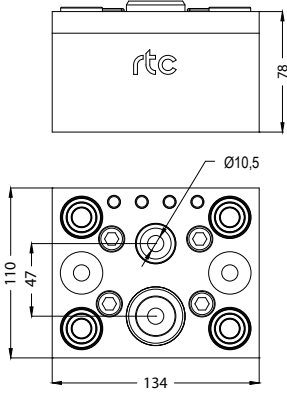

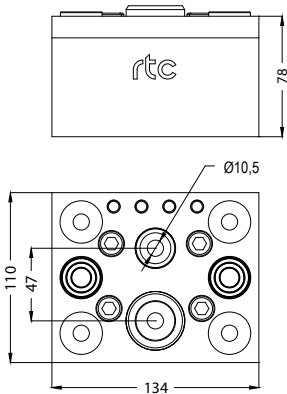



High - Flow

Flow diameter 10 mm / Nennweite 10 mm

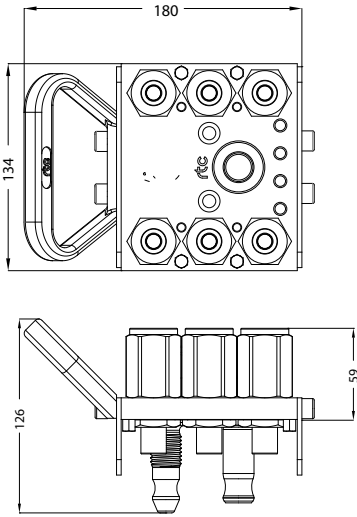

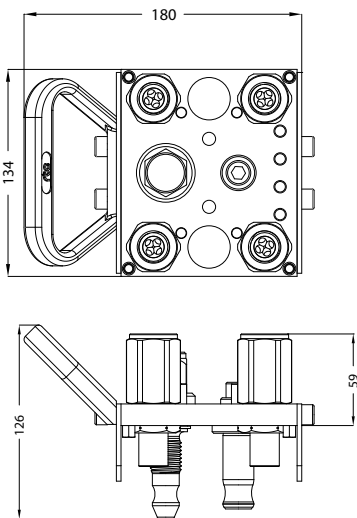

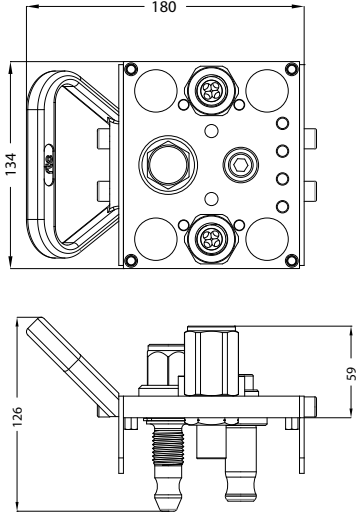

TYPE M 104.10



TYPE K 104.10	Mould side / Abnehmerseite	Item code / Artikelnummer		
<p>3 ↔ 3</p> 		<p>Female thread Innengewinde</p>	<p>BSP 3/8 BSP 1/2 UNF 9/16-18 UNF 3/4-16 NPT 3/8 NPT 1/2</p>	<p>K 104.10-06 SAB 17 K 104.10-06 SAB 21 K 104.10-06 SAB 1418 U K 104.10-06 SAB 1916 U K 104.10-06 SAB 17 N K 104.10-06 SAB 21 N</p>
<p>2 ↔ 2</p> 		<p>Female thread Innengewinde</p>	<p>BSP 3/8 BSP 1/2 UNF 9/16-18 UNF 3/4-16 NPT 3/8 NPT 1/2</p>	<p>K 104.10-04 SAB 17 K 104.10-04 SAB 21 K 104.10-04 SAB 1418 U K 104.10-04 SAB 1916 U K 104.10-04 SAB 17 N K 104.10-04 SAB 21 N</p>
<p>1 ↔ 1</p> 		<p>Female thread Innengewinde</p>	<p>BSP 3/8 BSP 1/2 UNF 9/16-18 UNF 3/4-16 NPT 3/8 NPT 1/2</p>	<p>K 104.10-02 SAB 17 K 104.10-02 SAB 21 K 104.10-02 SAB 1418 U K 104.10-02 SAB 1916 U K 104.10-02 SAB 17 N K 104.10-02 SAB 21 N</p>

rtc TYPE M 104.10

Flow diameter 10 mm / Nennweite 10 mm

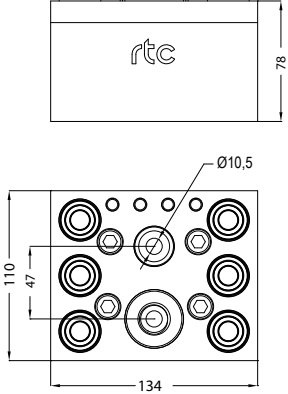
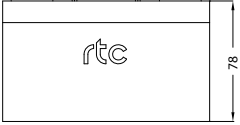

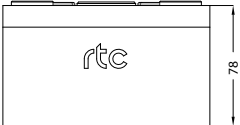
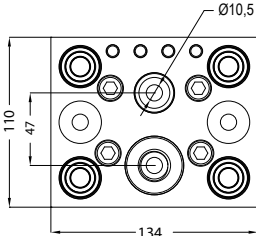

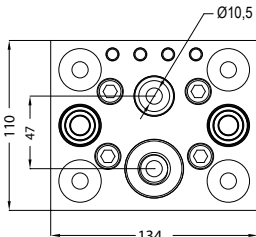
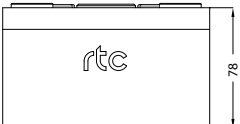

TYPE M 104.10	Mobile side with locking screw / Versorgerseite mit Spindelverschraubung	Item code / Artikelnummer
<p>3 ↔ 3</p> 	<p>Female thread Innengewinde</p> <p>BSP 3/8 BSP 1/2 UNF 9/16-18 UNF 3/4-16 NPT 3/8 NPT 1/2</p> 	<p>M 104.10-06 PFB 17 LP M 104.10-06 PFB 21 LP M 104.10-06 PUB 1418 LP M 104.10-06 PUB 1916 LP M 104.10-06 PNB 17 LP M 104.10-06 PNB 21 LP</p>
<p>2 ↔ 2</p> 	<p>Female thread Innengewinde</p> <p>BSP 3/8 BSP 1/2 UNF 9/16-18 UNF 3/4-16 NPT 3/8 NPT 1/2</p> 	<p>M 104.10-04 PFB 17 LP M 104.10-04 PFB 21 LP M 104.10-04 PUB 1418 LP M 104.10-04 PUB 1916 LP M 104.10-04 PNB 17 LP M 104.10-04 PNB 21 LP</p>
<p>1 ↔ 1</p> 	<p>Female thread Innengewinde</p> <p>BSP 3/8 BSP 1/2 UNF 9/16-18 UNF 3/4-16 NPT 3/8 NPT 1/2</p> 	<p>M 104.10-02 PFB 17 LP M 104.10-02 PFB 21 LP M 104.10-02 PUB 1418 LP M 104.10-02 PUB 1916 LP M 104.10-02 PNB 17 LP M 104.10-02 PNB 21 LP</p>

High - Flow

Flow diameter 10 mm / Nennweite 10 mm

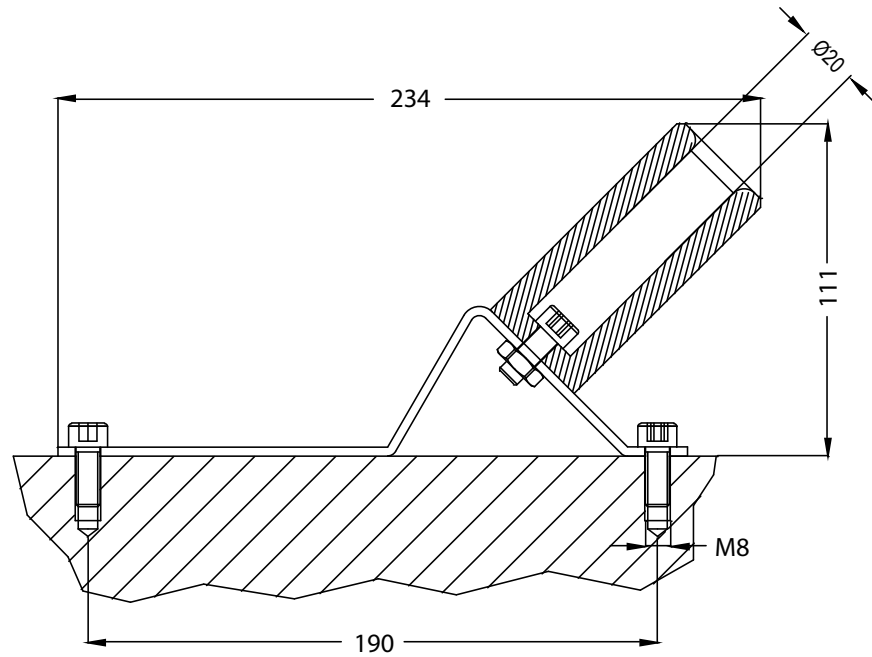
TYPE M 104.10



TYPE K 104.10	Mould side with locking nut / Abnehmerseite mit Schraubbuchse		Item code / Artikelnummer
<p>3 ↔ 3</p> 		<p>Female thread Innengewinde</p>	<p>BSP 3/8 BSP 1/2 UNF 9/16-18 UNF 3/4-16 NPT 3/8 NPT 1/2</p> <p>K 104.10-06 SAB 17 LN K 104.10-06 SAB 21 LN K 104.10-06 SAB 1418 U LN K 104.10-06 SAB 1916 U LN K 104.10-06 SAB 17 N LN K 104.10-06 SAB 21 N LN</p> 
	 	<p>Female thread Innengewinde</p>	<p>BSP 3/8 BSP 1/2 UNF 9/16-18 UNF 3/4-16 NPT 3/8 NPT 1/2</p> <p>K 104.10-04 SAB 17 LN K 104.10-04 SAB 21 LN K 104.10-04 SAB 1418 U LN K 104.10-04 SAB 1916 U LN K 104.10-04 SAB 17 N LN K 104.10-04 SAB 21 N LN</p> 
<p>1 ↔ 1</p> 		<p>Female thread Innengewinde</p>	<p>BSP 3/8 BSP 1/2 UNF 9/16-18 UNF 3/4-16 NPT 3/8 NPT 1/2</p> <p>K 104.10-02 SAB 17 LN K 104.10-02 SAB 21 LN K 104.10-02 SAB 1418 U LN K 104.10-02 SAB 1916 U LN K 104.10-02 SAB 17 N LN K 104.10-02 SAB 21 N LN</p> 

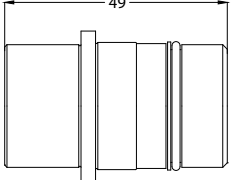

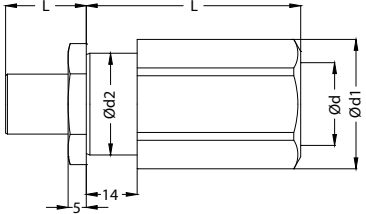

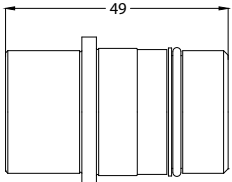

rtc TYPE M 104

TYPE M 104	Parking plate / Parkplatte	Item code / Artikelnummer		
	<table border="1"> <tr> <td data-bbox="842 331 1027 398">For mobile side Für Versorgerseiten</td> <td data-bbox="1027 331 1294 398">For M 104.08 / M 104.10 Für M 104.08 / M 104.10</td> </tr> </table>	For mobile side Für Versorgerseiten	For M 104.08 / M 104.10 Für M 104.08 / M 104.10	M 104.08-06 PP
For mobile side Für Versorgerseiten	For M 104.08 / M 104.10 Für M 104.08 / M 104.10			



TYPE M 104	Parking plate / Parkplatte
------------	----------------------------



TYPE M 104.08	Sockets / Kupplungen			Item code / Artikelnummer
		Assembling socket Kupplung für den Einbau	Ø8 mm	104.08 SAB 00 MP
				
TYPE M 104.08	Plugs / Nippel			
		Female thread Innengewinde	BSP 3/8 BSP 1/2 UNF 9/16-18 UNF 3/4-16 NPT 3/8 NPT 1/2	104.08 PFB 17 MP 104.08 PFB 21 MP 104.08 PFB 1418 MP 104.08 PUB 1916 MP 104.08 PNB 17 MP 104.08 PNB 21 MP
				
TYPE M 104.10	Sockets / Kupplungen High - Flow			
		Assembling socket Kupplung für den Einbau	Ø10 mm	104.10 SAB 00 MP
				
TYPE M 104.10	Plugs / Nippel High - Flow			
		Female thread Innengewinde	BSP 3/8 BSP 1/2 UNF 9/16-18 UNF 3/4-16 NPT 3/8 NPT 1/2	104.10 PFB 17 MP 104.10 PFB 21 MP 104.10 PUB 1418 MP 104.10 PUB 1916 MP 104.10 PNB 17 MP 104.10 PNB 21 MP
		