

Water Multi Coupling For
European Plug Profile

rtc[®]

COUPLING TECHNOLOGY

[www.rtc-tec.com](http://www rtc-tec.com)



M090

rtc TYPE

rtc Multicoupling systems

rtc Multikupplungssysteme type M090



rtc Multicoupling systems / rtc Multikupplungssysteme type M090



Type	Max. Working Pressure Max. Betriebsdruck	Flow size Nennweite	Connections Anschlüsse	Circuits Kreislauf
rtc M090.09	16 bar	09	6 / 8 / 10 / 12 / 16 / 20 / 24	3 / 4 / 5 / 6 / 8 / 10 / 12
<p>Temperature Range - Temperaturbereich For oil / bei Öl -10°C +200°C (+14°F +392°F) FPM (V) For water / bei Wasser -10°C +160°C (+14°F +320°F) FPM (V)</p>				



Specification

Connecting and disconnecting the circuits in one operation for quick mold change

Colour coded plates for circuit definition

Eigenschaften

Verbinden und Trennen von mehreren Kreisläufen in einem Arbeitsgang für das schnelle Rüsten

Kennzeichnung von Zu- und Rücklauf durch farbige Platten

Applications

Aluminium die casting

Test units

Plastics industry / cooling heating

Anwendungen

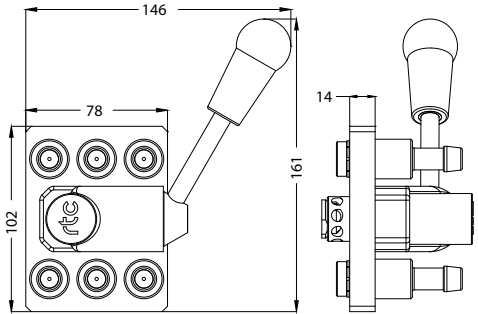
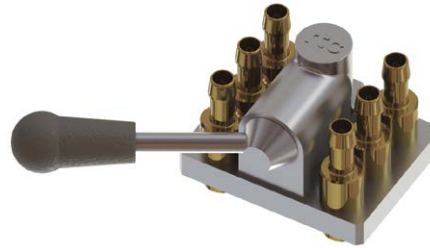
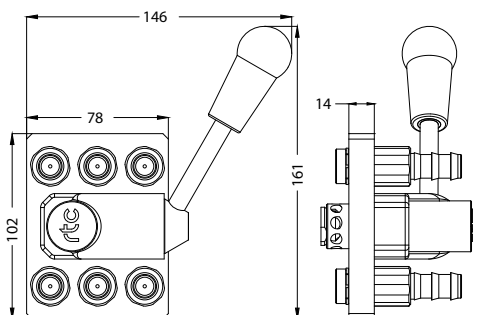
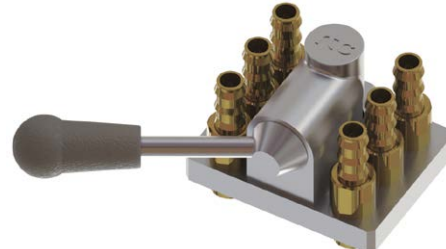
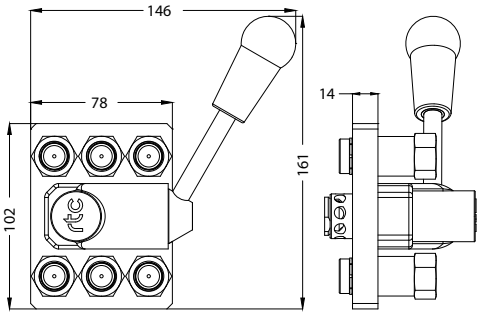

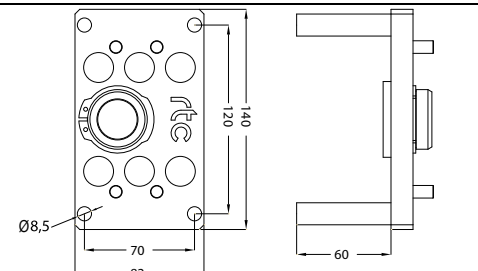

Aluminiumdruckguß

Prüfstände

Kunststoffindustrie / Mehrkreistemperierung / Kühlen Temperieren

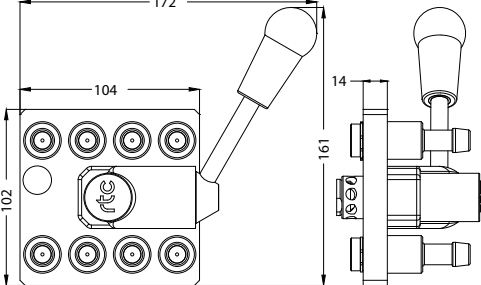
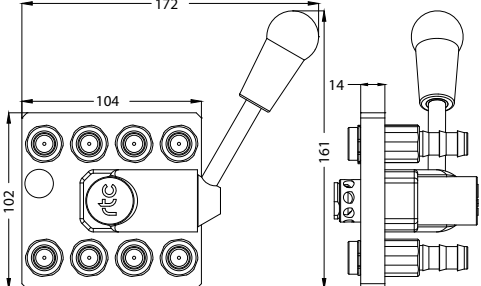
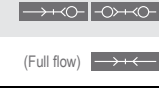
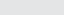

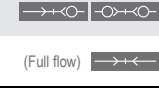
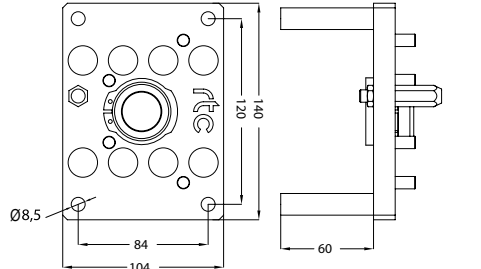
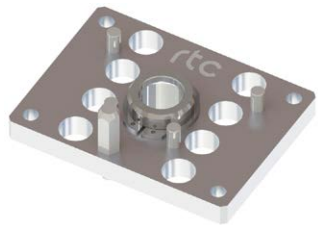
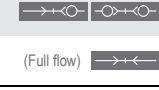
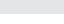

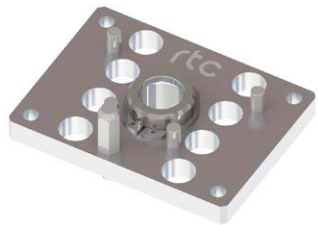
rtc TYPE M 090.09

Flow diameter 9 mm / Nennweite 9 mm

TYPE M 090.09	Mobile side / Versorgerseite	Item code / Artikelnummer												
<p>3 ↔ 3</p> 	<p>Standard hose Schlauchanschluss</p> <table border="1" data-bbox="997 331 1273 436"> <tr> <td></td> <td>Ø10</td> <td>M 090.09-06 SHB 10</td> </tr> <tr> <td></td> <td>Ø12</td> <td>M 090.09-06 SHB 12</td> </tr> <tr> <td>(Full flow) </td> <td>Ø10</td> <td>M 090.09-06 SHF 10</td> </tr> <tr> <td></td> <td>Ø12</td> <td>M 090.09-06 SHF 12</td> </tr> </table> 		Ø10	M 090.09-06 SHB 10		Ø12	M 090.09-06 SHB 12	(Full flow)	Ø10	M 090.09-06 SHF 10		Ø12	M 090.09-06 SHF 12	
	Ø10	M 090.09-06 SHB 10												
	Ø12	M 090.09-06 SHB 12												
(Full flow)	Ø10	M 090.09-06 SHF 10												
	Ø12	M 090.09-06 SHF 12												
<p>3 ↔ 3</p> 	<p>Push to connect Steckschlauchanschluss</p> <table border="1" data-bbox="997 817 1273 922"> <tr> <td></td> <td>Ø10</td> <td>M 090.09-06 SPB 10</td> </tr> <tr> <td></td> <td>Ø13</td> <td>M 090.09-06 SPB 13</td> </tr> <tr> <td>(Full flow) </td> <td>Ø10</td> <td>M 090.09-06 SPF 10</td> </tr> <tr> <td></td> <td>Ø13</td> <td>M 090.09-06 SPF 13</td> </tr> </table> 		Ø10	M 090.09-06 SPB 10		Ø13	M 090.09-06 SPB 13	(Full flow)	Ø10	M 090.09-06 SPF 10		Ø13	M 090.09-06 SPF 13	
	Ø10	M 090.09-06 SPB 10												
	Ø13	M 090.09-06 SPB 13												
(Full flow)	Ø10	M 090.09-06 SPF 10												
	Ø13	M 090.09-06 SPF 13												
<p>3 ↔ 3</p> 	<p>Female thread Innengewinde</p> <table border="1" data-bbox="997 1303 1273 1408"> <tr> <td></td> <td>BSP 3/8</td> <td>M 090.09-06 SFB 17</td> </tr> <tr> <td></td> <td>NPT 3/8</td> <td>M 090.09-06 SNB 17</td> </tr> <tr> <td>(Full flow) </td> <td>BSP 3/8</td> <td>M 090.09-06 SFF 17</td> </tr> <tr> <td></td> <td>NPT 3/8</td> <td>M 090.09-06 SNF 17</td> </tr> </table> 		BSP 3/8	M 090.09-06 SFB 17		NPT 3/8	M 090.09-06 SNB 17	(Full flow)	BSP 3/8	M 090.09-06 SFF 17		NPT 3/8	M 090.09-06 SNF 17	
	BSP 3/8	M 090.09-06 SFB 17												
	NPT 3/8	M 090.09-06 SNB 17												
(Full flow)	BSP 3/8	M 090.09-06 SFF 17												
	NPT 3/8	M 090.09-06 SNF 17												
TYPE K 090.09	Mould side / Abnehmerseite	Item code / Artikelnummer												
<p>3 ↔ 3</p> 	<p>Plate for 6 lines / Platte für 6 Anschlüsse</p> 	<p>K 090.09-06</p>												

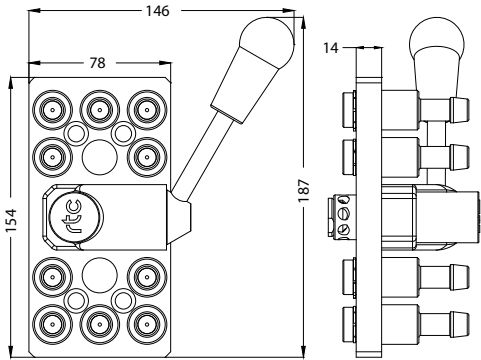
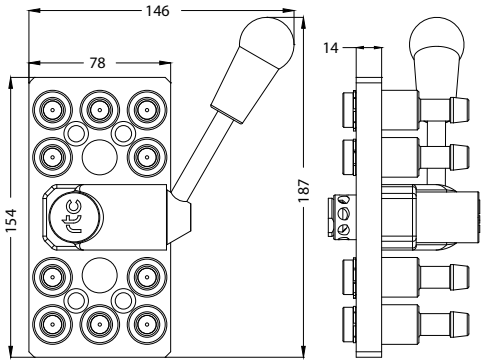
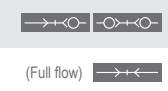

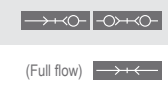
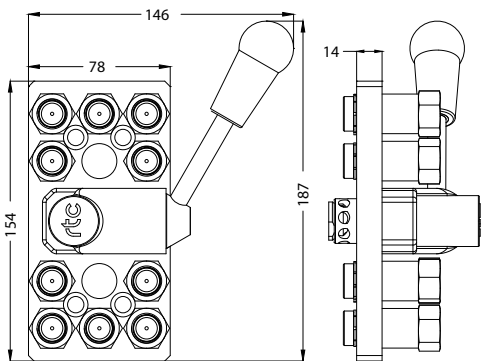
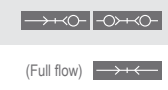

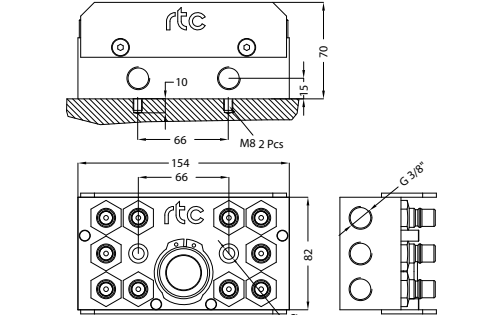


Flow diameter 9 mm / Nennweite 9 mm

TYPE M 090.09 **rtc**

TYPE M 090.09	Mobile side / Versorgerseite	Item code / Artikelnummer									
<p>4 ↔ 4</p> 	<p>Standard hose Schlauchanschluss</p> 	<p>Standard hose Schlauchanschluss</p> 	<table border="1"> <tr> <td>Ø10</td> <td>M 090.09-08 SHB 10</td> </tr> <tr> <td>Ø12</td> <td>M 090.09-08 SHB 12</td> </tr> <tr> <td>Ø10</td> <td>M 090.09-08 SHF 10</td> </tr> <tr> <td>Ø12</td> <td>M 090.09-08 SHF 12</td> </tr> </table> 	Ø10	M 090.09-08 SHB 10	Ø12	M 090.09-08 SHB 12	Ø10	M 090.09-08 SHF 10	Ø12	M 090.09-08 SHF 12
	Ø10	M 090.09-08 SHB 10									
	Ø12	M 090.09-08 SHB 12									
Ø10	M 090.09-08 SHF 10										
Ø12	M 090.09-08 SHF 12										
<p>Push to connect Steckschlauchanschluss</p> 	<p>Push to connect Steckschlauchanschluss</p> 	<table border="1"> <tr> <td>Ø10</td> <td>M 090.09-08 SPB 10</td> </tr> <tr> <td>Ø13</td> <td>M 090.09-08 SPB 13</td> </tr> <tr> <td>Ø10</td> <td>M 090.09-08 SPF 10</td> </tr> <tr> <td>Ø13</td> <td>M 090.09-08 SPF 13</td> </tr> </table> 	Ø10	M 090.09-08 SPB 10	Ø13	M 090.09-08 SPB 13	Ø10	M 090.09-08 SPF 10	Ø13	M 090.09-08 SPF 13	
Ø10	M 090.09-08 SPB 10										
Ø13	M 090.09-08 SPB 13										
Ø10	M 090.09-08 SPF 10										
Ø13	M 090.09-08 SPF 13										
<p>Female thread Innengewinde</p> 	<p>Female thread Innengewinde</p> 	<table border="1"> <tr> <td>BSP 3/8</td> <td>M 090.09-08 SFB 17</td> </tr> <tr> <td>NPT 3/8</td> <td>M 090.09-08 SNB 17</td> </tr> <tr> <td>BSP 3/8</td> <td>M 090.09-08 SFF 17</td> </tr> <tr> <td>NPT 3/8</td> <td>M 090.09-08 SNF 17</td> </tr> </table> 	BSP 3/8	M 090.09-08 SFB 17	NPT 3/8	M 090.09-08 SNB 17	BSP 3/8	M 090.09-08 SFF 17	NPT 3/8	M 090.09-08 SNF 17	
BSP 3/8	M 090.09-08 SFB 17										
NPT 3/8	M 090.09-08 SNB 17										
BSP 3/8	M 090.09-08 SFF 17										
NPT 3/8	M 090.09-08 SNF 17										
TYPE K 090.09	Mould side / Abnehmerseite	Item code / Artikelnummer									
<p>4 ↔ 4</p> 	<p>Plate for 8 lines / Platte für 8 Anschlüsse</p> 	<table border="1"> <tr> <td></td> <td>K 090.09-08</td> </tr> </table>			K 090.09-08						
	K 090.09-08										

rtc TYPE M 090.09

Flow diameter 9 mm / Nennweite 9 mm

TYPE M 090.09	Mobile side / Versorgerseite	Item code / Artikelnummer									
<p>5 ↔ 5</p> 	<p>Standard hose Schlauchanschluss</p> 		<table border="1"> <tr><td>Ø10</td><td>M 090.09-10 SHB 10</td></tr> <tr><td>Ø12</td><td>M 090.09-10 SHB 12</td></tr> <tr><td>Ø10</td><td>M 090.09-10 SHF 10</td></tr> <tr><td>Ø12</td><td>M 090.09-10 SHF 12</td></tr> </table>	Ø10	M 090.09-10 SHB 10	Ø12	M 090.09-10 SHB 12	Ø10	M 090.09-10 SHF 10	Ø12	M 090.09-10 SHF 12
	Ø10	M 090.09-10 SHB 10									
	Ø12	M 090.09-10 SHB 12									
Ø10	M 090.09-10 SHF 10										
Ø12	M 090.09-10 SHF 12										
<p>Push to connect Steckschlauchanschluss</p> 		<table border="1"> <tr><td>Ø10</td><td>M 090.09-10 SPB 10</td></tr> <tr><td>Ø13</td><td>M 090.09-10 SPB 13</td></tr> <tr><td>Ø10</td><td>M 090.09-10 SPF 10</td></tr> <tr><td>Ø13</td><td>M 090.09-10 SPF 13</td></tr> </table>	Ø10	M 090.09-10 SPB 10	Ø13	M 090.09-10 SPB 13	Ø10	M 090.09-10 SPF 10	Ø13	M 090.09-10 SPF 13	
Ø10	M 090.09-10 SPB 10										
Ø13	M 090.09-10 SPB 13										
Ø10	M 090.09-10 SPF 10										
Ø13	M 090.09-10 SPF 13										
<p>Female thread Innengewinde</p> 		<table border="1"> <tr><td>BSP 3/8</td><td>M 090.09-10 SFB 17</td></tr> <tr><td>NPT 3/8</td><td>M 090.09-10 SNB 17</td></tr> <tr><td>BSP 3/8</td><td>M 090.09-10 SFF 17</td></tr> <tr><td>NPT 3/8</td><td>M 090.09-10 SNF 17</td></tr> </table>	BSP 3/8	M 090.09-10 SFB 17	NPT 3/8	M 090.09-10 SNB 17	BSP 3/8	M 090.09-10 SFF 17	NPT 3/8	M 090.09-10 SNF 17	
BSP 3/8	M 090.09-10 SFB 17										
NPT 3/8	M 090.09-10 SNB 17										
BSP 3/8	M 090.09-10 SFF 17										
NPT 3/8	M 090.09-10 SNF 17										
<p>5 ↔ 5</p> 	<p>Plate with 10 plugs Platte mit 10 Anschlüsse</p> 		<table border="1"> <tr><td>BSP 3/8</td><td>K 090.09-10 PMB 17</td></tr> <tr><td>BSP 3/8</td><td>K 090.09-10 PMF 17</td></tr> </table>	BSP 3/8	K 090.09-10 PMB 17	BSP 3/8	K 090.09-10 PMF 17				
BSP 3/8	K 090.09-10 PMB 17										
BSP 3/8	K 090.09-10 PMF 17										
											


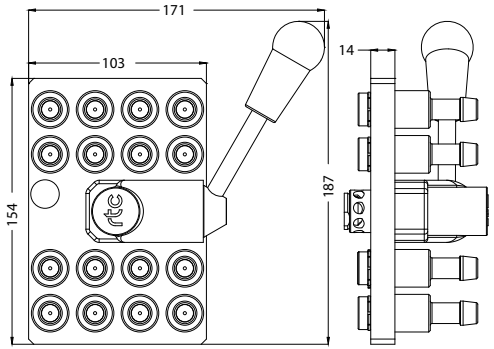









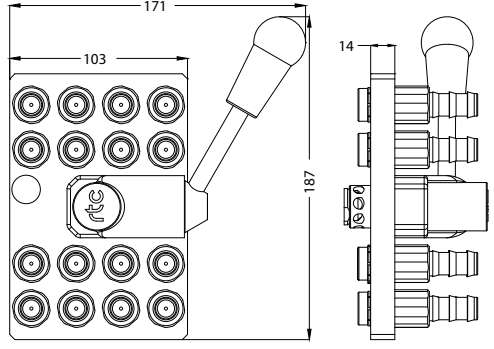






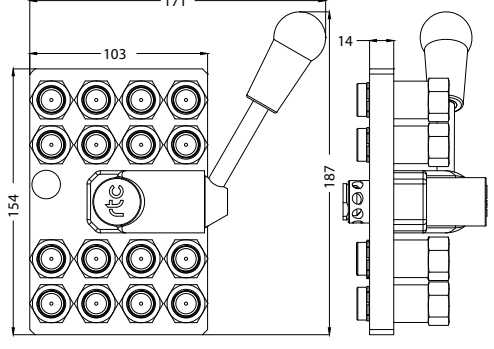


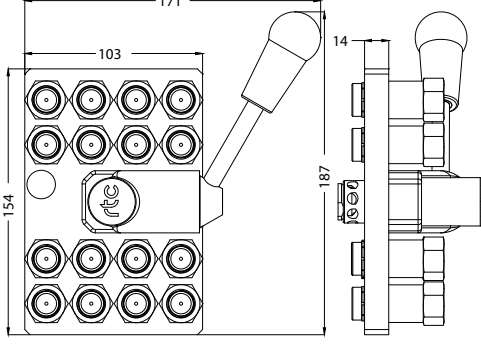







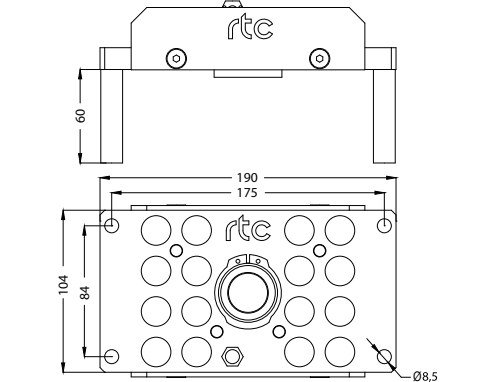


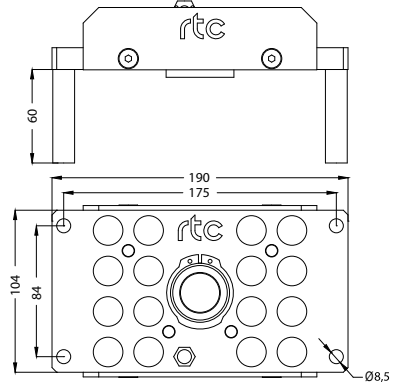

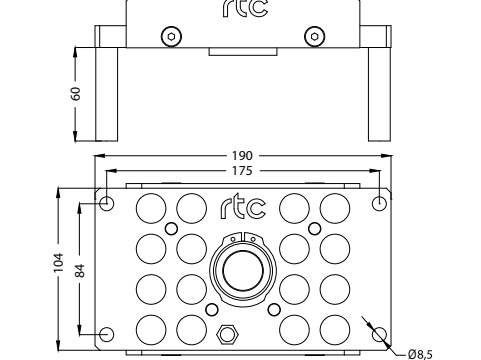



Flow diameter 9 mm / Nennweite 9 mm

TYPE M 090.09 **rtc**

TYPE M 090.09	Mobile side / Versorgerseite	Item code / Artikelnummer										
<p>6 ↔ 6</p>		<p>Standard hose Schlauchanschluss</p>		<table border="1"> <tr><td>Ø10</td><td>M 090.09-12 SHB 10</td></tr> <tr><td>Ø12</td><td>M 090.09-12 SHB 12</td></tr> <tr><td>Ø10 (Full flow)</td><td>M 090.09-12 SHF 10</td></tr> <tr><td>Ø12 (Full flow)</td><td>M 090.09-12 SHF 12</td></tr> </table>	Ø10	M 090.09-12 SHB 10	Ø12	M 090.09-12 SHB 12	Ø10 (Full flow)	M 090.09-12 SHF 10	Ø12 (Full flow)	M 090.09-12 SHF 12
	Ø10	M 090.09-12 SHB 10										
	Ø12	M 090.09-12 SHB 12										
	Ø10 (Full flow)	M 090.09-12 SHF 10										
	Ø12 (Full flow)	M 090.09-12 SHF 12										
	<p>Push to connect Steckschlauchanschluss</p>		<table border="1"> <tr><td>Ø10</td><td>M 090.09-12 SPB 10</td></tr> <tr><td>Ø13</td><td>M 090.09-12 SPB 13</td></tr> <tr><td>Ø10 (Full flow)</td><td>M 090.09-12 SPF 10</td></tr> <tr><td>Ø13 (Full flow)</td><td>M 090.09-12 SPF 13</td></tr> </table>	Ø10	M 090.09-12 SPB 10	Ø13	M 090.09-12 SPB 13	Ø10 (Full flow)	M 090.09-12 SPF 10	Ø13 (Full flow)	M 090.09-12 SPF 13	
Ø10	M 090.09-12 SPB 10											
Ø13	M 090.09-12 SPB 13											
Ø10 (Full flow)	M 090.09-12 SPF 10											
Ø13 (Full flow)	M 090.09-12 SPF 13											
	<p>Female thread Innengewinde</p>		<table border="1"> <tr><td>BSP 3/8</td><td>M 090.09-12 SFB 17</td></tr> <tr><td>NPT 3/8</td><td>M 090.09-12 SNB 17</td></tr> <tr><td>BSP 3/8 (Full flow)</td><td>M 090.09-12 SFF 17</td></tr> <tr><td>NPT 3/8 (Full flow)</td><td>M 090.09-12 SNF 17</td></tr> </table>	BSP 3/8	M 090.09-12 SFB 17	NPT 3/8	M 090.09-12 SNB 17	BSP 3/8 (Full flow)	M 090.09-12 SFF 17	NPT 3/8 (Full flow)	M 090.09-12 SNF 17	
BSP 3/8	M 090.09-12 SFB 17											
NPT 3/8	M 090.09-12 SNB 17											
BSP 3/8 (Full flow)	M 090.09-12 SFF 17											
NPT 3/8 (Full flow)	M 090.09-12 SNF 17											
	<p>Female thread collector Innengewinde Sammler</p>		<table border="1"> <tr><td>BSP 1</td><td>M 090.09-12 C 33</td></tr> <tr><td>BSP 1</td><td>M 090.09-12 CN 33</td></tr> </table>	BSP 1	M 090.09-12 C 33	BSP 1	M 090.09-12 CN 33					
BSP 1	M 090.09-12 C 33											
BSP 1	M 090.09-12 CN 33											
TYPE K 090.09	Mould side / Abnehmerseite	Item code / Artikelnummer										
<p>6 ↔ 6</p>		<p>Plate for 12 lines / Platte mit 12 Anschlüsse</p>	<table border="1"> <tr><td></td><td>K 090.09-12</td></tr> <tr><td></td><td>K 090.09-12 AD</td></tr> </table>		K 090.09-12		K 090.09-12 AD					
		K 090.09-12										
	K 090.09-12 AD											

rtc TYPE M 090.09

Flow diameter 9 mm / Nennweite 9 mm

TYPE M 090.09	Mobile side / Versorgerseite	Item code / Artikelnummer						
		<table border="1"> <tr> <td data-bbox="766 347 997 436">Standard hose Schlauchanschluss</td> <td data-bbox="997 347 1273 436">  Ø10 Ø12 (Full flow)  Ø10 Ø12 </td> <td data-bbox="1273 347 1548 436"> M 090.09-16 SHB 10 M 090.09-16 SHB 12 M 090.09-16 SHF 10 M 090.09-16 SHF 12 </td> </tr> <tr> <td colspan="3" data-bbox="766 436 1548 784">  </td> </tr> </table>	Standard hose Schlauchanschluss	 Ø10 Ø12 (Full flow)  Ø10 Ø12	M 090.09-16 SHB 10 M 090.09-16 SHB 12 M 090.09-16 SHF 10 M 090.09-16 SHF 12			
Standard hose Schlauchanschluss	 Ø10 Ø12 (Full flow)  Ø10 Ø12	M 090.09-16 SHB 10 M 090.09-16 SHB 12 M 090.09-16 SHF 10 M 090.09-16 SHF 12						
								
		<table border="1"> <tr> <td data-bbox="766 795 997 884">Push to connect Steckschlauchanschluss</td> <td data-bbox="997 795 1273 884">  Ø10 Ø13 (Full flow)  Ø10 Ø13 </td> <td data-bbox="1273 795 1548 884"> M 090.09-16 SPB 10 M 090.09-16 SPB 13 M 090.09-16 SPF 10 M 090.09-16 SPF 13 </td> </tr> <tr> <td colspan="3" data-bbox="766 884 1548 1232">  </td> </tr> </table>	Push to connect Steckschlauchanschluss	 Ø10 Ø13 (Full flow)  Ø10 Ø13	M 090.09-16 SPB 10 M 090.09-16 SPB 13 M 090.09-16 SPF 10 M 090.09-16 SPF 13			
Push to connect Steckschlauchanschluss	 Ø10 Ø13 (Full flow)  Ø10 Ø13	M 090.09-16 SPB 10 M 090.09-16 SPB 13 M 090.09-16 SPF 10 M 090.09-16 SPF 13						
								
		<table border="1"> <tr> <td data-bbox="766 1243 997 1332">Female thread Innengewinde</td> <td data-bbox="997 1243 1273 1332">  BSP 3/8 NPT 3/8 (Full flow)  BSP 3/8 NPT 3/8 </td> <td data-bbox="1273 1243 1548 1332"> M 090.09-16 SFB 17 M 090.09-16 SNB 17 M 090.09-16 SFF 17 M 090.09-16 SNF 17 </td> </tr> <tr> <td colspan="3" data-bbox="766 1332 1548 1668">  </td> </tr> </table>	Female thread Innengewinde	 BSP 3/8 NPT 3/8 (Full flow)  BSP 3/8 NPT 3/8	M 090.09-16 SFB 17 M 090.09-16 SNB 17 M 090.09-16 SFF 17 M 090.09-16 SNF 17			
Female thread Innengewinde	 BSP 3/8 NPT 3/8 (Full flow)  BSP 3/8 NPT 3/8	M 090.09-16 SFB 17 M 090.09-16 SNB 17 M 090.09-16 SFF 17 M 090.09-16 SNF 17						
								
TYPE K 090.09	Mould side / Abnehmerseite	Item code / Artikelnummer						
		<table border="1"> <tr> <td data-bbox="766 1736 1273 1758">Plate for 16 lines / Platte für 16 Anschlüsse</td> <td data-bbox="1273 1736 1548 1758">K 090.09-16</td> </tr> <tr> <td colspan="2" data-bbox="766 1758 1548 2128">  </td> </tr> </table>	Plate for 16 lines / Platte für 16 Anschlüsse	K 090.09-16				
Plate for 16 lines / Platte für 16 Anschlüsse	K 090.09-16							
								

Flow diameter 9 mm / Nennweite 9 mm

TYPE M 090.09 **rtc**

TYPE M 090.09	Mobile side / Versorgerseite		Item code / Artikelnummer	
<p>10 ↔ 10</p>		<p>Standard hose Schlauchanschluss</p>		<p>M 090.09-20 SHB 10 M 090.09-20 SHB 12 M 090.09-20 SHF 10 M 090.09-20 SHF 12</p>
		<p>Push to connect Steckschlauchanschluss</p>		<p>M 090.09-20 SPB 10 M 090.09-20 SPB 13 M 090.09-20 SPF 10 M 090.09-20 SPF 13</p>
		<p>Female thread Innengewinde</p>		<p>M 090.09-20 SFB 17 M 090.09-20 SNB 17 M 090.09-20 SFF 17 M 090.09-20 SNF 17</p>
		<p>Female thread collector Innengewinde Sammler</p>		<p>M 090.09-20 C 42 M 090.09-20 CN 42</p>
TYPE K 090.09	Mould side / Abnehmerseite		Item code / Artikelnummer	
<p>10 ↔ 10</p>			<p>Plate for 20 lines / Platte für 20 Anschlüsse</p> <p>K 090.09-20</p>	

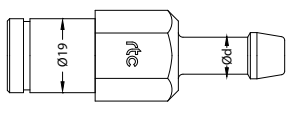







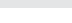
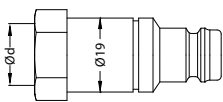


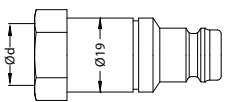


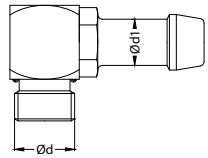
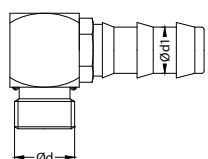
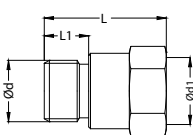
rtc TYPE M 090.09

Flow diameter 9 mm / Nennweite 9 mm

TYPE M 090.09	Mobile side / Versorgerseite	Item code / Artikelnummer												
<p>12 ↔ 12</p>		<p>Standard hose Schlauchanschluss</p> <table border="1"> <tr> <td></td> <td>Ø10</td> <td>M 090.09-24 SHB 10</td> </tr> <tr> <td></td> <td>Ø12</td> <td>M 090.09-24 SHB 12</td> </tr> <tr> <td>(Full flow) </td> <td>Ø10</td> <td>M 090.09-24 SHF 10</td> </tr> <tr> <td></td> <td>Ø12</td> <td>M 090.09-24 SHF 12</td> </tr> </table>		Ø10	M 090.09-24 SHB 10		Ø12	M 090.09-24 SHB 12	(Full flow)	Ø10	M 090.09-24 SHF 10		Ø12	M 090.09-24 SHF 12
		Ø10	M 090.09-24 SHB 10											
		Ø12	M 090.09-24 SHB 12											
	(Full flow)	Ø10	M 090.09-24 SHF 10											
		Ø12	M 090.09-24 SHF 12											
	<p>Push to connect Steckschlauchanschluss</p> <table border="1"> <tr> <td></td> <td>Ø10</td> <td>M 090.09-24 SPB 10</td> </tr> <tr> <td></td> <td>Ø13</td> <td>M 090.09-24 SPB 13</td> </tr> <tr> <td>(Full flow) </td> <td>Ø10</td> <td>M 090.09-24 SPF 10</td> </tr> <tr> <td></td> <td>Ø13</td> <td>M 090.09-24 SPF 13</td> </tr> </table>		Ø10	M 090.09-24 SPB 10		Ø13	M 090.09-24 SPB 13	(Full flow)	Ø10	M 090.09-24 SPF 10		Ø13	M 090.09-24 SPF 13	
	Ø10	M 090.09-24 SPB 10												
	Ø13	M 090.09-24 SPB 13												
(Full flow)	Ø10	M 090.09-24 SPF 10												
	Ø13	M 090.09-24 SPF 13												
	<p>Female thread Innengewinde</p> <table border="1"> <tr> <td></td> <td>BSP 3/8</td> <td>M 090.09-24 SFB 17</td> </tr> <tr> <td></td> <td>NPT 3/8</td> <td>M 090.09-24 SNB 17</td> </tr> <tr> <td>(Full flow) </td> <td>BSP 3/8</td> <td>M 090.09-24 SFF 17</td> </tr> <tr> <td></td> <td>NPT 3/8</td> <td>M 090.09-24 SNF 17</td> </tr> </table>		BSP 3/8	M 090.09-24 SFB 17		NPT 3/8	M 090.09-24 SNB 17	(Full flow)	BSP 3/8	M 090.09-24 SFF 17		NPT 3/8	M 090.09-24 SNF 17	
	BSP 3/8	M 090.09-24 SFB 17												
	NPT 3/8	M 090.09-24 SNB 17												
(Full flow)	BSP 3/8	M 090.09-24 SFF 17												
	NPT 3/8	M 090.09-24 SNF 17												
	<p>Female thread collector Innengewinde Sammler</p> <table border="1"> <tr> <td></td> <td>BSP 1-1/4</td> <td>M 090.09-24 C 42</td> </tr> <tr> <td></td> <td>NPT 1-1/4</td> <td>M 090.09-24 CN 42</td> </tr> </table>		BSP 1-1/4	M 090.09-24 C 42		NPT 1-1/4	M 090.09-24 CN 42							
	BSP 1-1/4	M 090.09-24 C 42												
	NPT 1-1/4	M 090.09-24 CN 42												
<p>TYPE K 090.09</p> <p>12 ↔ 12</p>	<p>Mould side / Abnehmerseite</p> <p>Item code / Artikelnummer</p>													
	<p>Plate for 24 lines / Platte für 24 Anschlüsse</p> <p>K 090.09-24</p>													

Flow diameter 9 mm / Nennweite 9 mm

TYPE M 090.09 

TYPE M 090.09	Sockets / Kupplungen	Connection / Anschluss	Item code / Artikelnummer	
	Standard hose Schlauchanschluss	 (Full flow) 	Ø10 M 090.09 SHB 10 Ø12 M 090.09 SHB 12 Ø10 M 090.09 SHF 10 Ø12 M 090.09 SHF 12	
		Push to connect Steckschlauchanschluss	 (Full flow) 	Ø10 M 090.09 SPB 10 Ø13 M 090.09 SPB 13 Ø10 M 090.09 SPF 10 Ø13 M 090.09 SPF 13
		Female thread Innengewinde	 (Full flow) 	BSP 3/8 M 090.09 SFB 17 NPT 3/8 M 090.09 SNB 17 BSP 3/8 M 090.09 SFF 17 NPT 3/8 M 090.09 SNF 17
		For collector Für Sammler	 (Full flow) 	M 090.09 SAB 00 M 090.09 SAF 00
TYPE M 090.09	Plugs / Nippel	Connection / Anschluss	Item code / Artikelnummer	
	Female thread Innengewinde	 (Full flow) 	BSP 3/8 M 090.09 PFB 17 NPT 3/8 M 090.09 PNB 17 BSP 3/8 M 090.09 PFF 17 NPT 3/8 M 090.09 PNF 17	
TYPE M 090.09	Adapters elbow / Adapter Winkel	Connection / Anschluss	Item code / Artikelnummer	
	Standard hose Schlauchanschluss	BSP 3/8 → Ø10 NPT 3/8 → Ø12	EBH 17/10-90 EBH 17/12-90 EBH 17T/10-90 EBH 17T/12-90	
	Push to connect Steckschlauchanschluss	BSP 3/8 → Ø10 NPT 3/8 → Ø13	EBP 17/10-90 EBP 17/13-90 EBP 17T/10-90 EBP 17T/13-90	
	TE 17-17-20 BSP 3/8" Female - BSP 3/8" Male Extention BSP 3/8" Innengewinde - BSP 3/8" Aussengewinde Verlängerung TE 17-N17-20 NPT 3/8" Female - BSP 3/8" Male Extention NPT 3/8" Innengewinde - BSP 3/8" Aussengewinde Verlängerungx			