

Technical questionnaire to identify a suitable material handling product

Company: _____

Date: _____

Contact: _____

e-Mail: _____

Phone: _____

Fax: _____

Capacity _____ kg

Fork height max. _____ mm

Free lift _____ mm

Required residual lifting

capacity _____ mm

At fork height _____ mm

Headroom with mast retracted _____ mm

Lifting

manual-hydraulic

electric-hydraulic

Drive

manual

electric

Transport and stacking of:

palletised goods

long goods

loading lorries

Special requests

Lengths of application per shift

up to 2 hours

up to 4 hours

up to 6 hours

up to 8 hours

Shifts per day

Drivers platform

yes

no



Hand pallet truck model HU 26-115 TMt PROLINE MOTION

Capacity 2600 kg

For the professional transportation of palletised goods and box pallets under demanding conditions.

Features

- Ergonomic safety control handle for one-hand operation of lifting, driving and lowering.
- Ergonomic designed control handle for safe handling.
- Low maintenance high performance hydraulic pump with hard chromium plated piston and pressure relief valve.
- Frame and forks in robust steel construction, adjustable connecting rods, especially hardened axles and the high quality powder coating ensure a long life expectancy.
- Apron with shock absorbing rubber buffer in Pfaff-design.
- Steering angle of 105 degree to each side for easy handling in confined spaces.
- Entry rollers facilitate entry into bottom boarded pallets.

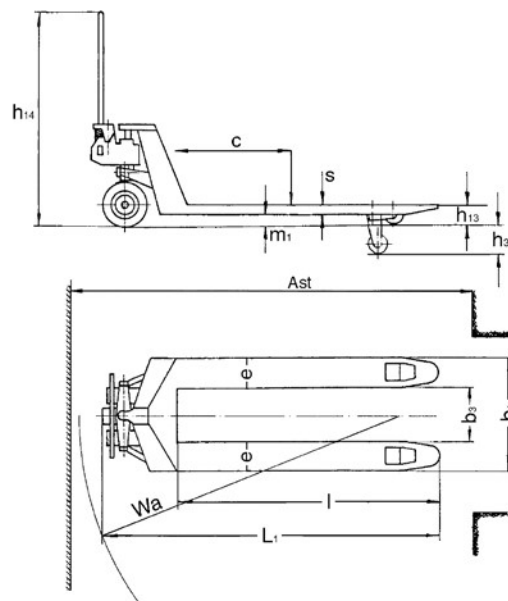


Option: Parking brake



Technical data model HU 26-115 TMt PROLINE MOTION

Model	HU 26-115 TMt	HU 26-115 TMt
Art.-No.	040009215	040009873
Capacity, kg	2600	2600
Load center c, mm	600	600
Weight, kg	86	86
Tyre type ¹	VG/PUR	PUR/PUR
Steering rollers, mm	200x50	200x50
Load rollers, mm	84x70	84x70
Number of wheels/load rollers	2/4	2/4
Stroke h3, mm	115	115
Height of control handle h14, mm	1200	1200
Fork height lowered h13, mm	85	85
Overall length L1, mm	1535	1535
Fork height s, mm	45	45
Fork width e, mm	160	160
Fork length l, mm	1150	1150
Outside dimension of forks b1, mm	540	540
Inside dimension of forks b3, mm	220	220
Ground clearance m1, mm	40	40
Aisle width pallet Ast, mm	1815	1815
Turning circle radius Wa, mm	1330	1330



Hand pallet truck model HU 26-115 TMt PROLINE MOTION
Hand pallet truck model HU 25-115 TS und ES SILVERLINE

¹PUR - Polyurethane, VG - Solid rubber

Hand pallet truck
model HU 25-115 TS
SILVERLINE (Tandem rollers)

model HU 25-115 ES
SILVERLINE (Single rollers)

Capacity 2500 kg

For the professional transportation of palletised goods and box pallets under demanding conditions.

Features

- Ergonomic safety control handle for one-hand operation of lifting, driving and lowering.
- Ergonomic rubber control handle for safe handling.
- Low maintenance hydraulic pump with hard chromium plated piston.
- Frame and forks in robust steel construction, adjustable connecting rods, especially hardened axles and the high quality powder coating ensure a long life expectancy.



Option: Parking brake

Technical data model HU 25-115 TS SILVERLINE and model HU 25-115 ES SILVERLINE

Model	HU 25-115 TS	HU 25-115 TS	HU 25-115 TS	HU 25-115 TS	HU 25-115 TS	HU 25-115 ES
Art.-No.	21225460	21225461	21225462	21225463	21225464	21225220
Capacity, kg	2500	2500	2500	2500	2500	2500
Load center c, mm	600	600	600	600	600	600
Weight, kg	70	68	69	65	70	67
Tyre type ¹	VG/PA	VG/PUR	PUR/PUR	PA/PA	PUR/PA	VG/PUR
Steering rollers, mm	200x50	200x50	200x50	200x50	200x50	200x50
Load rollers, mm	80x70	80x70	80x70	80x70	80x70	80x93
Number of wheels/load rollers	2/4	2/4	2/4	2/4	2/4	2/2
Stroke h3, mm	115	115	115	115	115	115
Height of control handle h14, mm	1230	1230	1230	1230	1230	1230
Fork height lowered h13, mm	85	85	85	85	85	85
Overall length L1, mm	1555	1555	1555	1555	1555	1555
Fork height s, mm	48	48	48	48	48	48
Fork width e, mm	160	160	160	160	160	160
Fork length l, mm	1150	1150	1150	1150	1150	1150
Outside dimension of forks b1, mm	540	540	540	540	540	540
Inside dimension of forks b3, mm	220	220	220	220	220	220
Ground clearance m1, mm	37	37	37	37	37	37
Aisle width pallet Ast, mm	1793	1793	1793	1793	1793	1793
Turning circle radius Wa, mm	1275	1275	1275	1275	1275	1275

¹ PA - Polyamide, PUR - Polyurethane, VG - Solid rubber



Hand pallet truck SILVERLINE with a smaller or a wider loading width

Capacity 1500 - 2500 kg

For the professional transportation of special pallets, e.g. brickyard pallets or american pallets.

Features

- Ergonomic safety control handle for one-hand operation of lifting, driving and lowering.
- Ergonomic rubber control handle for safe handling.
- Low maintenance high performance hydraulic pump with hard chromium plated piston and pressure relief valve.
- Frame and forks in robust steel construction, adjustable connecting rods, especially hardened axles and the high quality powder coating ensure a long life expectancy.
- Steering angle of 105 degree to each side for easy handling in confined spaces.

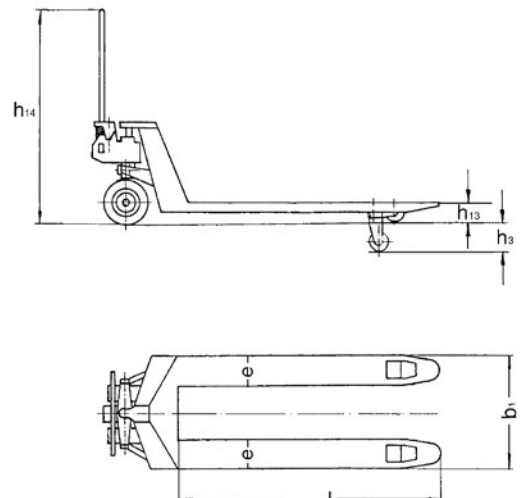


Option: Parking brake

Technical data hand pallet truck SILVERLINE

Model	HU 15-115 TP	HU 20-115 BTS	HU 25-115 BTS
Art.-No.	040006498	034527132	21225457
Capacity, kg	1500	2000	2500
Weight, kg	80	86	73
Tyre type ¹	PUR/PUR	VG/PUR	VG/PUR
Steering rollers, mm	200x50	200x50	200x50
Load rollers, mm	82x70	82x70	80x70
Stroke h3, mm	115	115	115
Height of control handle h14, mm	1200	1200	1230
Fork height lowered h13, mm	85	85	85
Fork width e, mm	160	160	160
Fork length l, mm	1150	1150	1150
Outside dimension of forks b1, mm	450	850	685

¹ PUR... Polyurethane, VG... Solid rubber



**Hand pallet truck
with low height forks
model HU 15-115 FTP
PROLINE**

Capacity 1500 kg

For the professional transportation of particularly low pallets.

Features

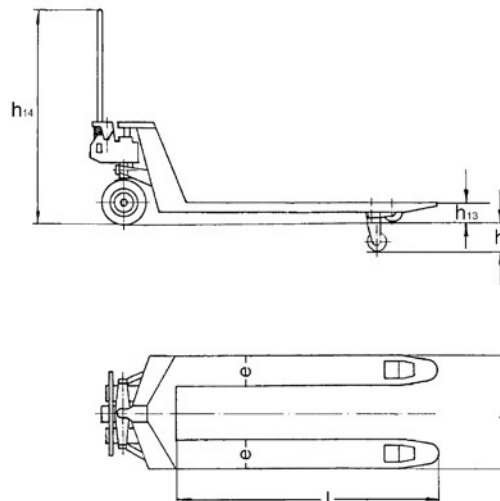
- Ergonomic safety control handle for one-hand operation of lifting, driving and lowering.
- Ergonomic rubber control handle for safe handling.
- Low maintenance high performance hydraulic pump with hard chromium plated piston and pressure relief valve.
- Frame and forks in robust steel construction, adjustable connecting rods, especially hardened axles and the high quality powder coating ensure a long life expectancy.
- Pallet entry height of only 51 mm for easy entry in particularly low pallets.
- Steering angle of 105 degree to each side for easy handling in confined spaces.



Technical data model HU 15-115 FTP

Model	HU 15-115 FTP
Art.-No.	034527124
Capacity, kg	1500
Weight, kg	84
Tyre type ¹	PUR/PA
Steering rollers, mm	180x50
Load rollers, mm	50x70
Stroke h3, mm	115
Height of control handle h14, mm	1200
Fork height lowered h13, mm	51
Fork width e, mm	160
Fork length l, mm	1150
Outside dimension of forks b1, mm	540

¹ PUR... Polyurethane, PA... Polyamide



Hand pallet truck PROLINE with short forks

Capacity 2500 kg

For the professional transportation of short palletised goods and box pallets under demanding conditions.

Features

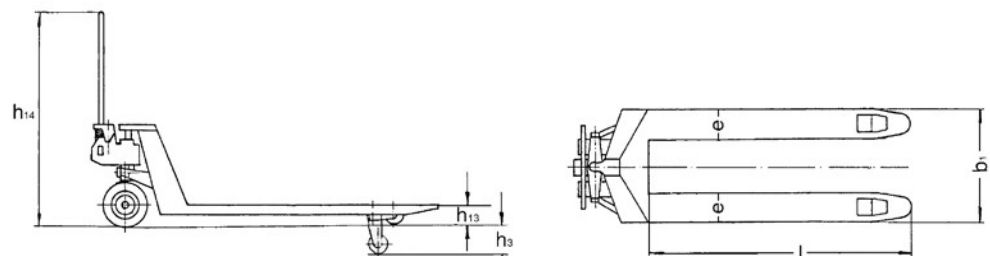
- Ergonomic safety control handle for one-hand operation of lifting, driving and lowering.
- Ergonomic rubber control handle for safe handling.
- Low maintenance high performance hydraulic pump with hard chromium plated piston and pressure relief valve.
- Frame and forks in robust steel construction, adjustable connecting rods, especially hardened axles and the high quality powder coating ensure a long life expectancy.
- Fork lengths from 600 up to 1000 mm for transportation of small loads.
- Steering angle of 105 degree to each side for easy handling in confined spaces.
- Available with tandem (TP) or single rollers (EP).



Technical data hand pallet truck PROLINE with short forks

Model	HU 25-60 EP	HU 25-80 EP	HU 25-90 EP	HU 25-100 EP	HU 25-80 TP	HU 25-90 TP	HU 25-100 TP
Art.-No.	040011694	21225221	21225224	21225223	21225450	21225451	21225452
Capacity, kg	2500	2500	2500	2500	2500	2500	2500
Weight, kg	59	63	66	66	64	67	66
Tyre type ¹	VG/PA	VG/PUR	VG/PUR	VG/PUR	VG/PUR	VG/PUR	VG/PUR
Steering rollers, mm	200x50	200x50	200x50	200x50	200x50	200x50	200x50
Load rollers, mm	82x70	80x93	80x93	80x93	80x70	80x70	80x70
Stroke h3, mm	115	115	115	115	115	115	115
Height of control handle h14, mm	1200	1230	1230	1230	1230	1230	1230
Fork height lowered h13, mm	85	85	85	85	85	85	85
Fork width e, mm	160	160	160	160	160	160	160
Fork length l, mm	600	800	900	1000	800	900	1000
Outside dimension of forks b1, mm	540	540	540	540	540	540	540

¹ PA... Polyamide, PUR... Polyurethane, VG... Solid rubber



Hand pallet truck PROLINE for heavy loads

Capacity 3000 - 5000 kg

For the professional transportation of heavy loads.

Features

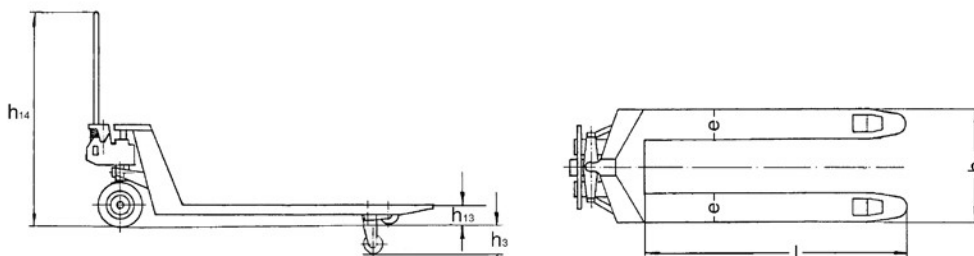
- Ergonomic safety control handle for one-hand operation of lifting, driving and lowering.
- Ergonomic rubber control handle for safe handling (only model HU 30-115 TP).
- Low maintenance high performance hydraulic pump with hard chromium plated piston and pressure relief valve.
- Frame and forks in robust steel construction, adjustable connecting rods, especially hardened axles and the high quality powder coating ensure a long life expectancy.



Technical data hand pallet truck PROLINE for heavy loads

Model	HU 30-115 TP	HU 50-115 TP	HU 50-200 TP
Art.-No.	21230415	034527058	034527056
Capacity, kg	3000	5000	5000
Weight, kg	69	240	300
Tyre type ¹	PUR/PUR	steel/steel	steel/steel
Steering rollers, mm	200x50	200x50	200x50
Load rollers, mm	80x70	82x80	82x80
Stroke h3, mm	115	110	110
Height of control handle h14, mm	1230	1220	1220
Fork height lowered h13, mm	85	90	105
Fork width e, mm	160	210	210
Fork length l, mm	1150	1150	2000
Outside dimension of forks b1, mm	540	580	700

¹ PUR... Polyurethane



Hand pallet truck PROLINE with extended forks

Capacity 2000 - 2500 kg

For the professional transportation of long palletised goods and box pallets under demanding conditions.

Features

- Ergonomic safety control handle for one-hand operation of lifting, driving and lowering.
- Ergonomic rubber control handle for safe handling.
- Low maintenance high performance hydraulic pump with hard chromium plated piston and pressure relief valve.
- Frame and forks in robust steel construction, adjustable connecting rods, especially hardened axles and the high quality powder coating ensure a long life expectancy.
- Fork lengths from 1300 up to 3000 mm for transportation of long and bulky loads.
- Steering angle of 105 degree to each side for easy handling in confined spaces.



Option: Parking brake

INFO

Driving and parking brake available as option.

Technical data hand pallet truck PROLINE with extended forks

Model	HU 25-130 TP	HU 20-150 TP	HU 20-180 TP	HU 20-200 TP	HU 20-250 TP	HU 20-300 TP
Art.-No.	21225453	21225454	21225455	21225456	034527202	034527203
Capacity, kg	2500	2000	2000	2000	2000	2000
Weight, kg	81	82	92	97	275	316
Tyre type ¹	VG/PUR	VG/PUR	VG/PUR	VG/PUR	PUR/PUR	PUR/PUR
Steering rollers, mm	200x50	200x50	200x50	200x50	200x50	200x50
Load rollers, mm	80x70	80x70	80x70	80x70	82x70	82x70
Stroke h3, mm	115	115	115	115	115	115
Height of control handle h14, mm	1230	1230	1230	1230	1200	1200
Fork height lowered h13, mm	85	85	85	85	85	85
Fork width e, mm	160	160	160	160	170	170
Fork length l, mm	1300	1500	1800	2000	2500	3000
Outside dimension of forks b1, mm	540	540	540	540	550	550

¹PUR: Polyurethane, VG: Solid rubber. Other versions available on request.

**Hand pallet truck
PROLINE
with extended forks and
increased capacity**

Capacity 3000 - 3500 kg

For the professional transportation of long palletised goods and box pallets under demanding conditions.

Features

- Ergonomic safety control handle for one-hand operation of lifting, driving and lowering.
- Ergonomic rubber control handle for safe handling.
- Low maintenance high performance hydraulic pump with hard chromium plated piston and pressure relief valve.
- Frame and forks in robust steel construction, adjustable connecting rods, especially hardened axles and the high quality powder coating ensure a long life expectancy.
- Fork lengths from 1500 up to 2000 mm for transportation of long goods.
- Steering angle of 105 degree to each side for easy handling in confined spaces.



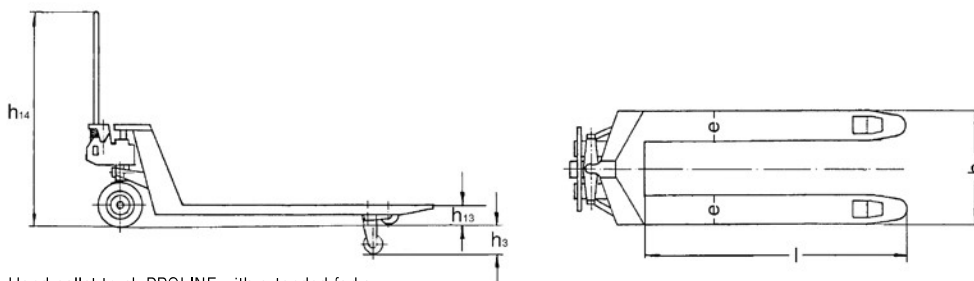
INFO

With extended forks up to 2000 mm and increased capacity up to 3500 kg.

Technical data hand pallet truck PROLINE with extended forks and increased capacity

Model	HU 30-150 TP	HU 30-180 TP	HU 35-200 TP
Art.-No.	034527204	034527205	034527206
Capacity, kg	3000	3000	3500
Weight, kg	121	139	148
Tyre type ¹	PUR/PUR	PUR/PUR	PUR/PUR
Steering rollers, mm	200x50	200x50	200x50
Load rollers, mm	82x70	82x70	82x70
Stroke h3, mm	115	115	115
Height of control handle h14, mm	1200	1200	1200
Fork height lowered h13, mm	85	85	85
Fork width e, mm	160	170	170
Fork length l, mm	1500	1800	2000
Outside dimension of forks b1, mm	540	550	550

¹ PUR ... Polyurethane



Hand pallet truck PROLINE with extended forks
Hand pallet truck PROLINE with extended forks and increased capacity

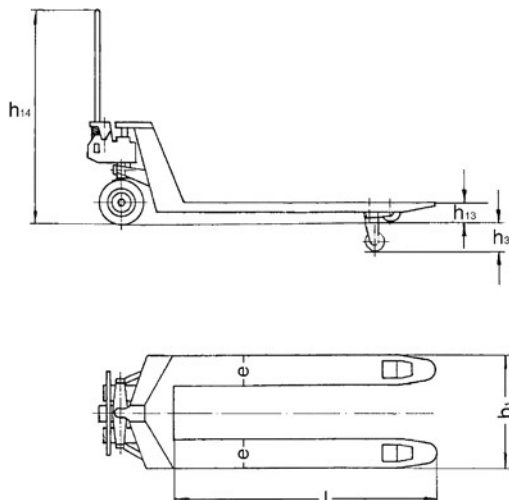
**Hand pallet truck
with quick-lift
model HU 20-115 QLTP
PROLINE**

Capacity 2000 kg

For quick lifting and professional transportation of palletised goods and box pallets under demanding conditions.

Features

- Ergonomic safety control handle for one-hand operation of lifting, driving and lowering.
- Ergonomic rubber control handle for safe handling.
- Low maintenance high performance hydraulic pump with hard chromium plated piston and pressure relief valve.
- Quick-lift function for loads up to 200 kg for quick lifting of the load.
- Frame and forks in robust steel construction, adjustable connecting rods, especially hardened axles and the high quality powder coating ensure a long life expectancy.
- Steering angle of 105 degree to each side for easy handling in confined spaces.



Technical data model HU 20-115 QLTP

Model	HU 20-115 QLTP
Art.-No.	034527125
Capacity, kg	2000
Weight, kg	86
Tyre type ¹	VG/PUR
Steering rollers, mm	200x50
Load rollers, mm	82x70
Stroke h3, mm	115
Height of control handle h14, mm	1200
Fork height lowered h13, mm	85
Fork width e, mm	160
Fork length l, mm	1150
Outside dimension of forks b1, mm	540

¹ PUR ... Polyurethane, VG ... Solid rubber

**Hand pallet truck
with driving and parking brake
model HU 25-115 FBTP
PROLINE**

Capacity 2500 kg

For the professional transportation of palletised goods and box pallets, on ramps, ascending slopes and on lorries.

Features

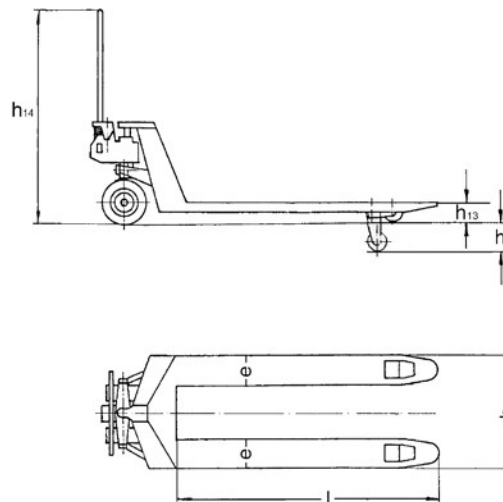
- Ergonomic safety control handle for one-hand operation of lifting, driving and lowering.
- Ergonomic rubber control handle for safe handling.
- Driving and park brake comfortably operated from the control handle.
- Low maintenance high performance hydraulic pump with hard chromium plated piston and pressure relief valve.
- Frame and forks in robust steel construction, adjustable connecting rods, especially hardened axles and the high quality powder coating ensure a long life expectancy.
- Steering angle of 105 degree to each side for easy handling in confined spaces.



Technical data model 25-115 FBTP

Model	HU 25-115 FBTP
Art.-No.	034527135
Capacity, kg	2500
Weight, kg	86
Tyre type ¹	VG/PUR
Steering rollers, mm	200x50
Load rollers, mm	82x70
Stroke h3, mm	115
Height of control handle h14, mm	1200
Fork height lowered h13, mm	85
Fork width e, mm	160
Fork length l, mm	1150
Outside dimension of forks b1, mm	540

¹ PUR... Polyurethane, VG... Solid rubber





Hand pallet truck stainless steel version model HU 20-115 VATP PROLINE

Capacity 2000 kg

For the professional transportation of palletised goods in corrosive areas.

Features

- Ergonomic safety control handle for one-hand operation of lifting, driving and lowering.
- Low maintenance high performance hydraulic pump with hard chromium plated piston and pressure relief valve.
Hydraulic unit made of V4A – 316 stainless steel.
- Frame, adjustable connecting rods, bolts and the torsion tube are made of high quality V4A – 316 stainless steel.
- Steering angle of 105 degree to each side for easy handling in confined spaces.



Available in explosion proof version (see page 468).

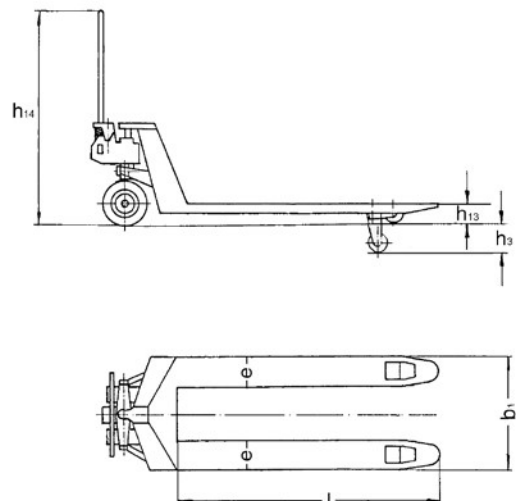
INFO

The operator is responsible for an analysis of the working conditions in order to assess the suitability of the hand pallet truck.

Technical data model HU 20-115 VATP

Model	HU 20-115 VATP
Art.-No.	040005740
Capacity, kg	2000
Weight, kg	86
Tyre type ¹	PA/PA
Steering rollers, mm	200x50
Load rollers, mm	82x70
Stroke h3, mm	115
Height of control handle h14, mm	1200
Fork height lowered h13, mm	85
Fork width e, mm	160
Fork length l, mm	1150
Outside dimension of forks b1, mm	540

¹ PA... Polyamide



**Hand pallet truck
galvanized version
model HU 25-115 GAL
PROLINE**

Capacity 2500 kg

For the professional transportation of palletised goods in corrosive areas.

Features

- Ergonomic safety control handle for one-hand operation of lifting, driving and lowering.
- Low maintenance high performance hydraulic pump with hard chromium plated piston and pressure relief valve.
- Galvanized frame with a layer of 100µm, cold galvanized control handle and hydraulic system, stainless steel running gear, ball bearings and axles ensure high chemical resistance.
- Steering angle of 105 degree to each side for easy handling in confined spaces.



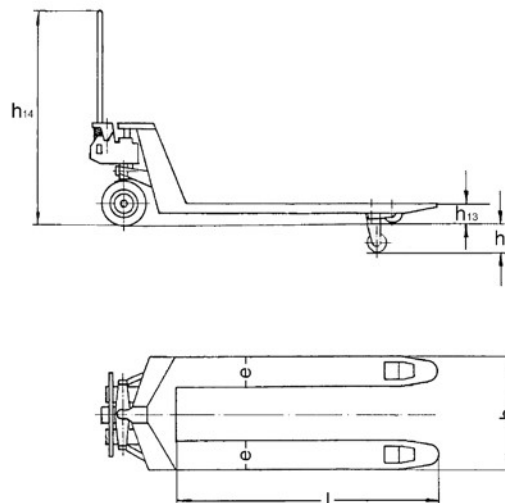
INFO

The operator is responsible for an analysis of the working conditions in order to assess the suitability of the hand pallet truck.

Technical data model HU 25-115 GAL

Model	HU 25-115 GAL
Art.-No.	034527170
Capacity, kg	2500
Weight, kg	86
Tyre type ¹	PA/PA
Steering rollers, mm	200x50
Load rollers, mm	82x70
Stroke h3, mm	115
Height of control handle h14, mm	1200
Fork height lowered h13, mm	85
Fork width e, mm	160
Fork length l, mm	1150
Outside dimension of forks b1, mm	540

¹ PA... Polyamide





Hand pallet truck with weighing system model HU W-20 SL SILVERLINE

Capacity 2000 kg

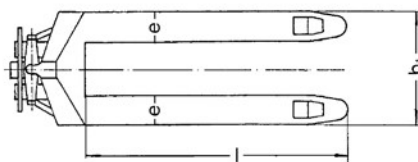
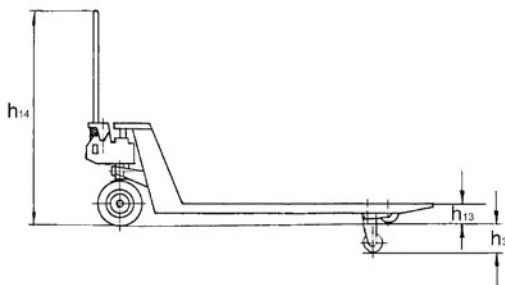
For transportation and weighing of palletised goods and box pallets. For simple weighing jobs and a rough calculation of total weights, e.g. when loading lorries.

Features

- The basic truck is the model Silverline HU 25-115.
- Ergonomic safety control handle for one-hand operation of lifting, driving and lowering.
- Ergonomic rubber control handle for safe handling.
- Measuring range from 0 up to 2000 kg in 5 kg steps.
- Easy to read LCD display.
- Accuracy:
 - 0 - 500 kg → +/- 10 kg
 - 500 - 1000 kg → +/- 20 kg
 - 1000 - 2000 kg → +/- 30 kg
- The weighing system is calibrated at the factory.

Scope of delivery

- 2 x 1.5 V AA batteries
(sufficient for approx. 3000 weighing operations)



Technical data model HU W-20 SL

Model	HU W 20 SL
Art.-No.	040048616
Capacity, kg	2000
Load center c, mm	600
Weight, kg	76
Tyre type ¹	VG/PUR
Steering rollers D, mm	200x50
Load rollers D1, mm	82x70
Number of wheels/load rollers	2/4
Stroke h2, mm	115
Lifting height h3, mm	200
Height of control handle h14, mm	1200
Fork height lowered h13, mm	85
Overall length L1, mm	1535
Fork height s, mm	45
Fork width e, mm	160
Fork length l, mm	1150
Outside dimension of forks b1, mm	540
Ground clearance m1, mm	40
Turning circle radius, mm	1330
Ambient temperature	-5 °C up to +40 °C

¹VG - Solid rubber, PUR - Polyurethane

Hand pallet truck with weighing system model HU W-20 S SILVERLINE

Capacity 2000 kg

For transportation and weighing of palletised goods and box pallets.

Features

- Ergonomic safety control handle for one-hand operation of lifting, driving and lowering.
- Ergonomic rubber control handle for safe handling.
- Measuring range from 0 up to 2000 kg in 1 kg steps.
- Easy to read LCD display.
- Accuracy +/- 0.1 % of the end value.
- The readings start at 1.0 kg.
- The weighing system is calibrated at the factory.
- The system is designed for simple weighing jobs, such as batching or filling processes.
- Low maintenance hydraulic pump with hard chromium plated piston and pressure relief valve.
- Frame and forks in robust steel construction, adjustable connecting rods, especially hardened axles and the high quality powder coating ensure a long life expectancy.
- Steering angle of 105 degree to each side for easy handling in confined spaces.

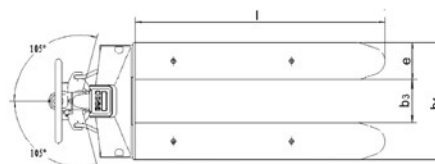
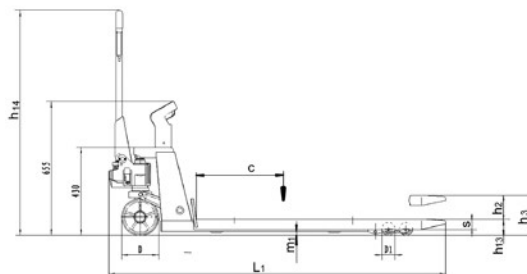


Scope of delivery

- 4x1.5 V batteries

Technical data model HU W-20 S

Model	HU W 20 S
Art.-No.	040016431
Capacity, kg	2000
Load center c, mm	600
Weight, kg	129
Tyre type ¹	PUR/PUR
Steering rollers D, mm	180x50
Load rollers D1, mm	74x70
Number of wheels/load rollers	2/4
Stroke h2, mm	110
Lifting height h3, mm	195
Height of control handle h14, mm	1210
Fork height lowered h13, mm	85
Overall length L1, mm	1580
Fork height s, mm	50
Fork width e, mm	180
Fork length l, mm	1150
Outside dimension of forks b1, mm	570
Inside dimension of forks b3, mm	210
Ground clearance m1, mm	35
Turning circle radius, mm	1330
Ambient temperature	-10 °C up to +40 °C



¹ PUR - Polyurethane



Scissor pallet truck with manual-hydraulic lift model HU HS 10 B

Capacity 1000 kg,
fork height max. 800 mm

A combination of hand pallet truck and elevating platform for the transport and raising of palletised loads to various departments.

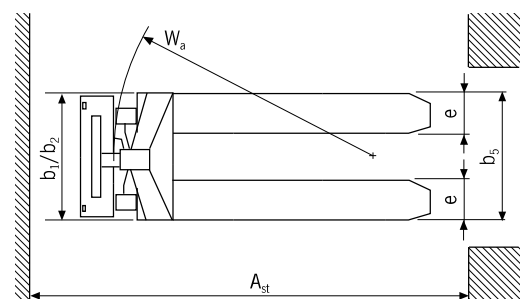
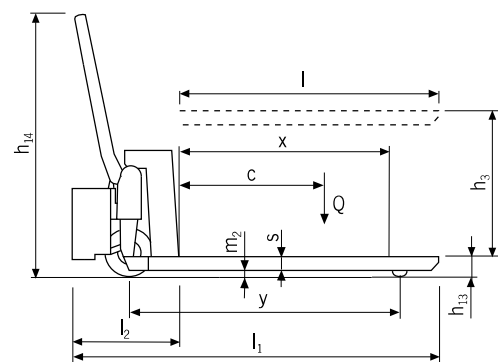
Features

- Safety control handle with the functions: Quick-lift - lifting - lowering.
- Lowering speed can be finely metered for sensitive lowering of the load.
- One-stage hydraulic for increased robustness.
- Quick-lift for loads up to 250 kg.
- Overload protection by pressure relief valve.
- Safety supports guarantee sure standing when the forks are raised.
- Low noise and smooth running with standard tyres: steer rollers and load rollers – polyurethane.

Technical data model HU HS 10 B

Model	HU HS 10 B
Art.-No.	26600020
Capacity Q, kg	1000
Load center c, mm	600
Weight, kg	122
Tyre type ¹	PUR/PUR
Steering rollers, mm	180x50
Load rollers, mm	75x50
Number of wheels/load rollers	2/2
Stroke h ₃ , mm	715
Height of control handle max. h ₁₄ , mm	1254
Fork height lowered h ₁₃ , mm	85
Overall length L ₁ , mm	1725
Overall width b ₁ /b ₂ , mm	575
Fork height s, mm	45
Fork width e, mm	160
Fork length l, mm	1170
Outside dimension of forks b ₅ , mm	540
Ground clearance, wheelbase centre m ₂ , mm	18
Aisle width pallet A _{st} , mm	1986
Turning circle radius W _a , mm	1564

¹ PUR... Polyurethane



Scissor pallet truck with electric-hydraulic lift model HU ES 10 B

Capacity 1000 kg,
fork height max. 800 mm

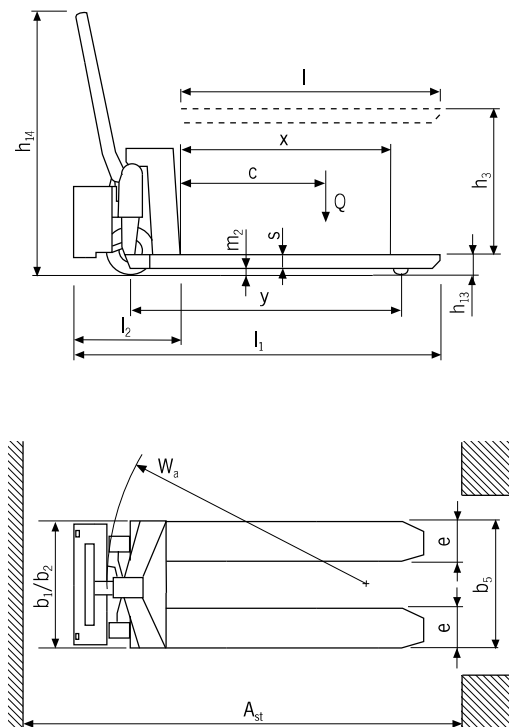
The model HU ES 10 B increases the usefulness of the HU HS 10 B by saving operating time for demanding applications with frequent lifting and lowering operations.

Features

- Ergonomic control button for the hydraulic unit fitted in the handle.
- In case of a battery failure the manual use of lifting and lowering is still guaranteed.
- Quick electric-hydraulic lifting of the load, pressure relief valve protects against overloading.
- Low noise and smooth running due to polyurethane steering and load rollers as standard.
- Additional tilting protection for the load rollers.

Scope of delivery

- Battery and integrated battery charger



Technical data model HU ES 10 B

Model	HU ES 10 B
Art.-No.	26900020
Capacity Q, kg	1000
Load center c, mm	600
Weight, kg	152
Tyre type ¹	PUR/PUR
Steering rollers, mm	180x50
Load rollers, mm	75x50
Number of wheels/load rollers	2/2
Stroke h3, mm	715
Height of control handle max. h14, mm	1254
Fork height lowered h13, mm	85
Overall length L1, mm	1715
Overall width b1/b2, mm	575
Fork height s, mm	45
Fork width e, mm	160
Fork length l, mm	1170
Outside dimension of forks b5, mm	540
Ground clearance, wheelbase centre m2, mm	18
Aisle width pallet Ast, mm	1986
Turning circle radius Wa, mm	1564
Battery charger, V/A	220/6
Battery voltage, capacity K5, V/Ah	12/52

¹ PUR... Polyurethane

Hand pallet truck with electric drive model EGU 15N JOKER

Capacity 1500 kg

Ideal for the internal transporting of palletised goods on even ground, covering short distances.

Compact dimensions and easy handling turn the EGU 15N JOKER into a real alternative to a standard hand pallet truck. Electric controls and the powerful motor ensure a finely metered and rapid start.

A high performance hydraulic pump guarantees a smooth lifting of the load.

Features

- Safety control handle with the functions:
Lifting - driving - lowering.
- Lowering speed can be finely metered for sensitive lowering of the load.
- Pressure relief valve as protection against overload.
- Maintenance-free motor and batteries.
- Quick charging at every 230V power socket due to integrated battery charger.
- Strong DC middle-motor with electromagnetic brake.
- Battery charge indicator
- Entry rollers facilitate entry into bottom-boarded pallets.

Scope of delivery

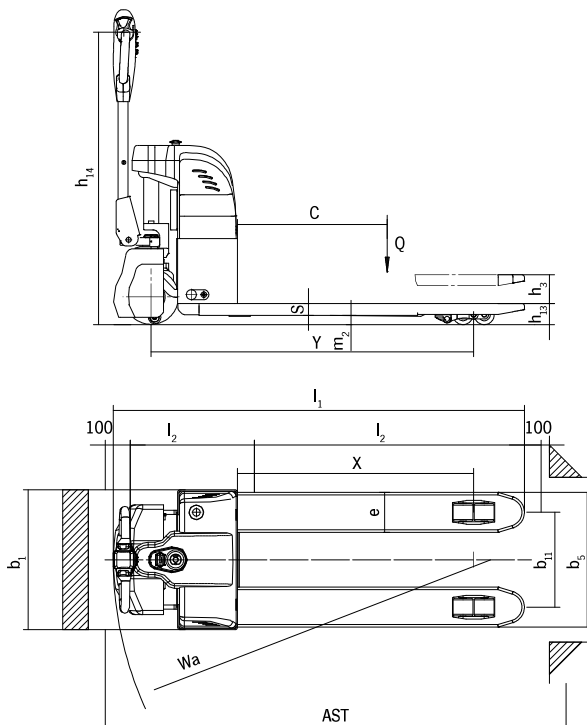
- Maintenance free lead-batteries 2 x 12V/40Ah and integrated battery charger.



Technical data model EGU 15N JOKER

Model	EGU 15N JOKER
Art.-No.	192008984
Actuation	electric
Capacity, kg	1500
Load center c, mm	600
Wheelbase Y, mm	1279
Weight (with battery), kg	165
Tyre type ¹	PUR/PUR
Steering rollers, mm	220x70
Load rollers, mm	80x70
Number of wheels/load rollers (x=driven)	2+1x/4
Stroke h3, mm	115
Height of control handle min./max. h14, mm	850/1295
Fork height lowered h13, mm	85
Overall length L1, mm	1666
Length incl. apron L2, mm	516
Overall width b1, mm	560
Fork height s, mm	48
Fork width e, mm	160
Fork length l, mm	1150
Outside dimension of forks b5, mm	540
Ground clearance m2, mm	37
Aisle width pallet Ast, mm	1961
Turning circle radius Wa, mm	1507
Actuation	manual-hydraulic
Travel speed with/without load, m/s	4.2/4.6
Lowering speed with/without load, m/s	metered
Gradient with/without load, m/s	4/10
Service brake	electric
Drive motor rating S2 60 min, kW	0.45
Battery	starter
Battery voltage, V/Ah	2x 12/40
Battery weight, kg	30
Type of control	MOSFET

¹ PUR... Polyurethane





Electric pallet truck model EGU PS 15

Capacity 1500 kg

Electrical drive, electrical lifting

Ideal for the transportation of palletized goods within a warehouse environment. Due to the extremely small turning circle it is also ideal for working on ramps or taking along on a lorry.

The powerful motor allows fast operation.

Features

- 80 Ah Semi-Traction battery for long working cycles.
- Creep speed button for pin-point work in confined spaces.
- Reliable impulse control for stepless regulation of driving speed.
- Integrated battery charger for charging on a 230V plug socket.
- Digital display for battery status

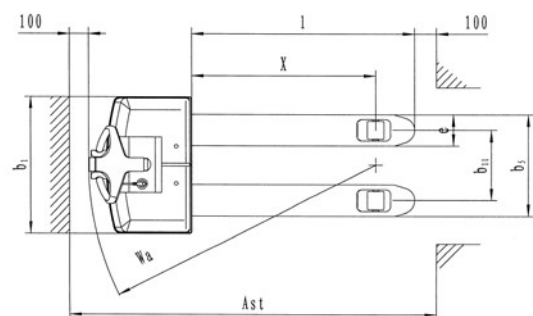
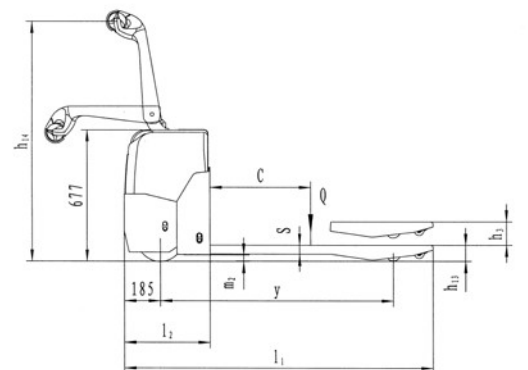
Scope of delivery

- Battery and integrated charger included

Technical data model EGU PS 15

Model	EGU PS 15
Art.-No.	040052452
Actuation	electric
Operation	pedestrian
Capacity, kg	1500
Load center c, mm	600
Wheelbase Y, mm	1217
Weight (with battery), kg	286
Tyre type ¹	PUR/PUR
Steering rollers l x d, mm	252 x 89
Load rollers l x d, mm	84 x 70
Number of wheels/load rollers (x=driven)	1x +2/4
Stroke h3, mm	120
Fork height max. h15, mm	205
Height of control handle max. h14, mm	1235
Fork height lowered h13, mm	85
Overall length L1, mm	1590
Length incl. apron L2, mm	440
Overall width B, mm	700
Fork height s, mm	47
Fork width e, mm	160
Fork length l, mm	1150
Outside dimension of forks b1, mm	520
Aisle width pallet Ast, mm	1944
Turning circle radius Wa, mm	1480
Travel speed with/without load, m/s	5.0/5.2
Lifting speed with/without load, m/s	0.27/0.35
Lowering speed with/without load, m/s	0.42/0.27
Gradient with/without load, m/s	5/8
Service brake	electric
Drive motor rating, kW	1.0
Hoist motor rating, kW	0.8
Battery	semi-traction
Battery voltage, capacity at 20 h, V/Ah	2 x 12/80
Type of control	Curtis

¹ PUR... Polvurethane





Electric pallet truck model EGU PS 22AC

Capacity 2200 kg

Electrical drive, electrical lifting

Ideal unit for working within a warehouse environment for long haul and medium to high work load applications. Also ideal for working on ramps or on a lorry.

Features

- Compact and agile.
- Low maintenance A.C. drive technology.
- 210Ah traction battery for long working cycles.
- Creep speed button for pin-point work in confined spaces.
- Reliable impulse control for stepless regulation of driving speed.
- Digital display for battery status

Scope of delivery

- Battery and external charger include

Technical data model EGU PS 22AC and model EGU PS 22AC FP

Model	EGU PS 22AC	EGU PS 22AC FP
Art.-No.	040052450	040052451
Actuation	electric	electric
Operation	pedestrian	driver platform
Capacity, kg	2200	2200
Load center c, mm	600	600
Wheelbase Y, mm	1368	1368
Weight (with battery), kg	512	525
Tyre type ¹	PUR/PUR	PUR/PUR
Steering rollers lxd, mm	230x75	230x75
Load rollers lxd, mm	84x70	84x70
Number of wheels/load rollers (x=driven)	1x +2/4	1x +2/4
Stroke h3, mm	120	120
Fork height max. h15, mm	205	205
Height of control handle max. h14, mm	1323	1323
Fork height lowered h13, mm	85	85
Overall length L1, mm	1815	1965
Fork height s, mm	60	60
Fork width e, mm	160	160
Fork length l, mm	1150	1150
Outside dimension of forks b1, mm	540	540
Aisle width pallet Ast, mm	2305	2305
Turning circle radius Wa, mm	1640	1640
Travel speed with/without load, m/s	5.8/6.0	5.8/6.0
Lifting speed with/without load, m/s	0.19/0.35	0.19/0.35
Lowering speed with/without load, m/s	0.30/0.27	0.30/0.27
Gradient with/without load, %	9/15	9/15
Service brake	electric	electric
Drive motor rating, kW	1.0 (AC)	1.0 (AC)
Hoist motor rating, kW	0.8	0.8
Battery	traction	traction
Battery voltage, capacity at 20 h, V/Ah	24/210	24/210
Type of control	Curtis	Curtis

¹ PUR... Polyurethane





Hand stacker model HG

Capacity 300 and 500 kg

Ideal for the occasional, internal application of stacking and transporting of palletised goods.

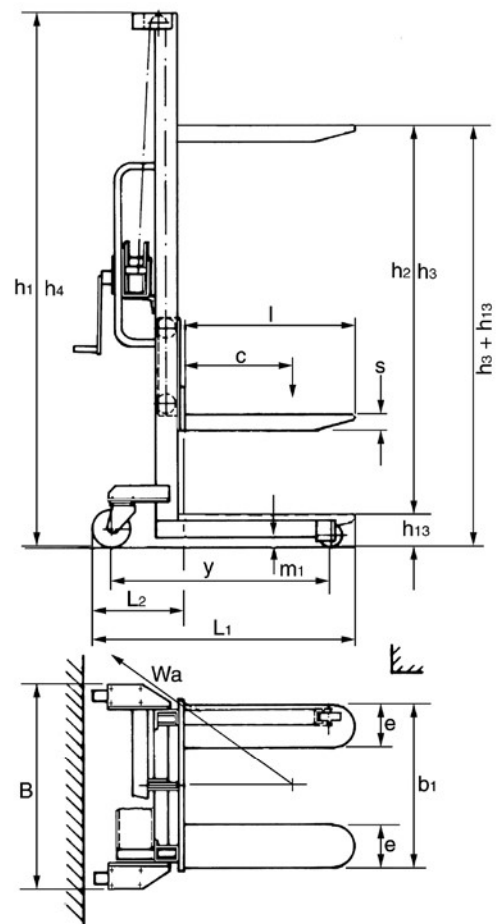
Features

- Manual winch for exact positioning of the height.
- Handlebar for easy operation.
- C-profile mast with maintenance free pulley and guide rollers with ball bearings.
- Steering roller with brake for safe parking of the hand stacker.

Technical data model HG

Model	HG 0315	HG 0515
Art.-No.	034518016	034518017
Capacity, kg	300	500
Load center c, mm	400	400
Wheelbase y, mm	850	1050
Weight, kg	80	90
Tyre type ¹	PA/PA	PA/PA
Steering rollers, mm	125x40	125x40
Load rollers, mm	75x30	75x30
Number of wheels/load rollers	2/2	2/2
Height, mast retracted h1, mm	1840	1840
Free lift h2, mm	1410	1410
Stroke h3, mm	1410	1410
Height, mast extended h4, mm	1840	1840
Lifting height max. h3 + h13, mm	1500	1500
Fork height lowered h13, mm	90	90
Overall length L1, mm	1020	1320
Length incl. apron L2, mm	362	362
Overall width B, mm	710	710
Fork height s, mm	50	50
Fork width e, mm	160	160
Fork length l, mm	600	900
Outside dimension of forks b1, mm	580	580
Ground clearance m1, mm	30	30
Turning circle radius Wa, mm	855	1155
Lift per one crank rotation with/without load, mm	25	25

¹ PA... Polyamide



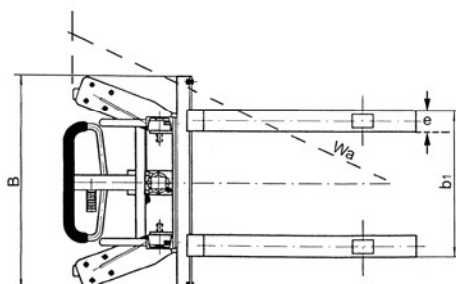
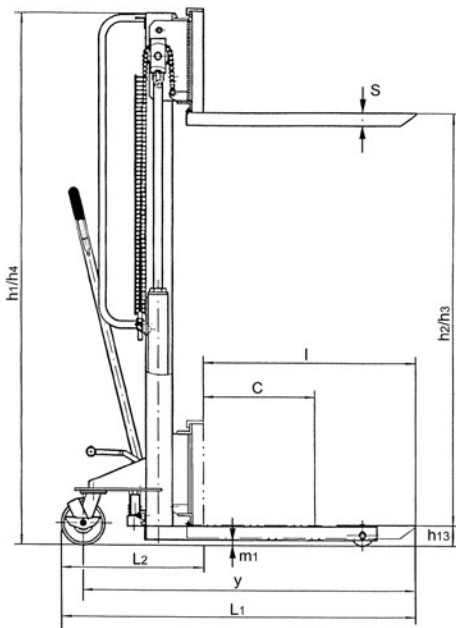
Manual drive stacker with manual-hydraulic lift model HV 0516

Capacity 500 kg

Ideal for the occasional, internal application of stacking and transporting of palletised goods, loading and unloading of shelves and lorries.

Features

- Ergonomic safety control handle for one-hand operation of lifting, driving and lowering.
- Handlebars for easy operation.
- Lowering speed can be finely metered for sensitive lowering of the load.
- Single-acting hand pump with increased lift per handle stroke.
- Robust mast construction with hard chromium plated piston.
- Steering roller with brake for safe parking of the hand stacker.



Technical data model HV 0516

Model	HV 0516
Art.-No.	040005551
Capacity, kg	500
Load center c, mm	600
Wheelbase y, mm	1630
Weight, kg	160
Tyre type ¹	PUR/PUR
Steering rollers, mm	150 x 40
Load rollers, mm	80 x 35
Number of wheels/load rollers	2/2
Height, mast retracted h1, mm	2000
Free lift h2, mm	1520
Stroke h3, mm	1520
Height, mast extended h4, mm	2000
Lifting height max. h3 + h13, mm	1600
Fork height lowered h13, mm	90
Overall length L1, mm	1750
Length incl. apron L2, mm	480
Overall width B, mm	830
Fork height s, mm	50
Fork width e, mm	120
Fork length l, mm	1150
Outside dimension of forks adjustable up to b1, mm	270/810
Ground clearance m1, mm	25
Turning circle radius Wa, mm	1500
Lift per one crank rotation with/without load, mm	40

¹ PUR... Polyurethane





Manual drive stacker model HV 1008

Manual drive stacker model HV 1016

Capacity 1000 kg

Ideal for the occasional, internal application of stacking and transporting of palletised goods.

Features

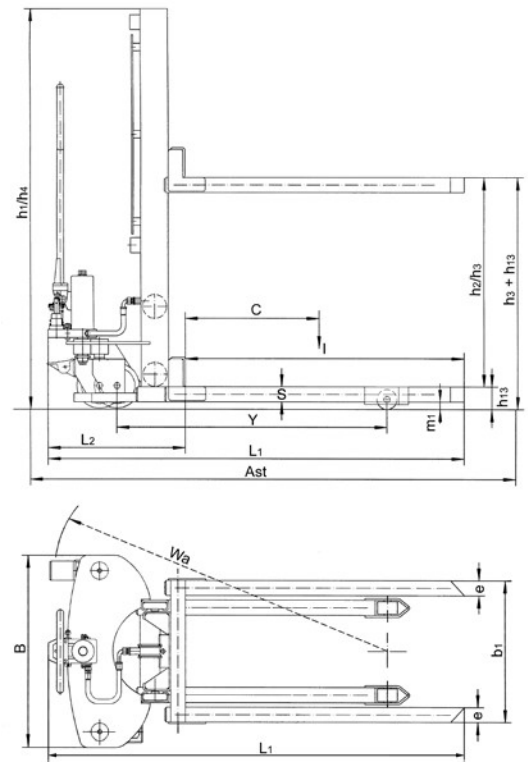
- Ergonomic safety control handle for one-hand operation of lifting, driving and lowering.
- Easy handling due to forced steering rollers.
- Lowering speed can be finely metered for sensitive lowering of the load.
- Single-acting hand pump with increased lift per handle stroke.
- Quick-lift for loads up to 100 kg.
- Robust mast construction with hard chromium plated piston.
- Steering roller with brake for safe parking of the hand stacker.



Technical data model HV 1008 and model HV 1016

Model	HV 1008	HV 1016
Art.-No.	034518032	034518030
Capacity, kg	1000	1000
Load center c, mm	600	600
Wheelbase y, mm	1075	1075
Weight, kg	179	205
Tyre type ¹	PUR/PUR	PUR/PUR
Steering rollers, mm	180x50	180x50
Load rollers, mm	80x55	80x55
Number of wheels/load rollers	2/2	2/2
Height, mast retracted h1, mm	1300	1965
Free lift h2, mm	810	1510
Stroke h3, mm	810	1510
Height, mast extended h4, mm	1300	1965
Lifting height max. h3 + h13, mm	900	1600
Fork height lowered h13, mm	90	90
Overall length L1, mm	1675	1675
Length incl. apron L2, mm	552	552
Overall width B, mm	765	765
Fork height s, mm	60	60
Fork width e, mm	60	60
Fork length l, mm	1122	1122
Outside dimension of forks b1, mm	570	570
Ground clearance m1, mm	25	25
Aisle width pallet Ast, mm	1875	1875
Turning circle radius Wa, mm	1445	1445
Lift per one crank rotation with/without load, mm	17/50	17/50

¹ PUR ... Polyurethane



Manual drive stacker with electric-hydraulic lift, model EHH PSE

Capacity 1000 kg,
fork height max. 3000 mm

Suitable for occasional applications of stacking and transporting palletized loads, also for use in confined areas and for short distances.

Features

- Good maneuverability and easy handling due to positive steering of the unit.
- Compact electric-hydraulic lifting device and overload protection.
- Finely metered lowering of load through pressure relief valve and adjustable lowering valve.
- Retention by parking brake.
- Robust frame with two load and two steer rollers.
- The maintenance free battery can be charged at any 230V plug socket.

Scope of delivery

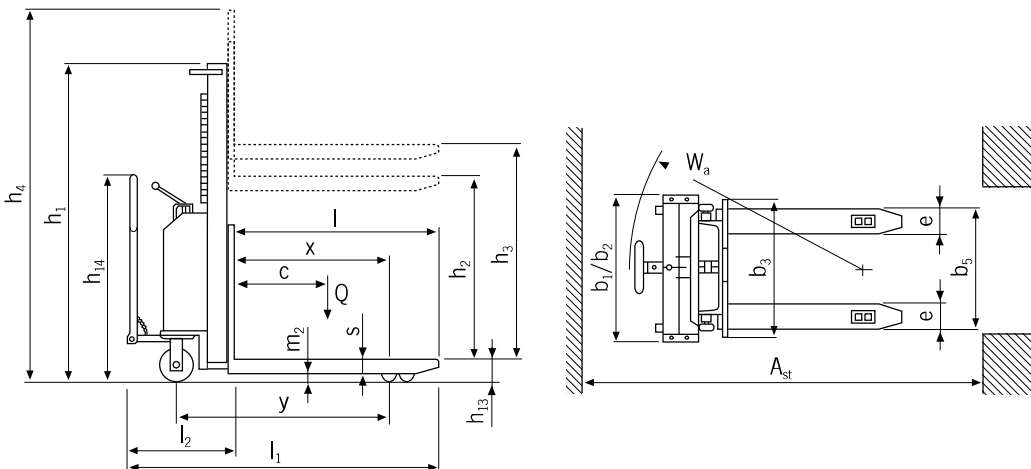
- Battery and battery charger included.



Technical data model EHH PSE

Model	EHH PSE 1016	EHH PSE 1025	EHH PSE 1030
Art.-No.	040050660	040050661	040050662
Capacity (up to 2.5 m lift), kg	1000	1000	1000
Load center c, mm	600	600	600
Wheelbase y, mm	1160	1160	1160
Weight (with battery), kg	395	455	475
Tyre type ¹	PA/PUR	PA/PUR	PA/PUR
Steering rollers, mm	180x50	180x50	180x50
Load rollers, mm	74x70	74x70	74x70
Number of wheels/load rollers	2/4	2/4	2/4
Height, mast retracted h1, mm	1980	1830	2080
Free lift h2, mm	1415	-	-
Stroke h3, mm	1515	2415	2915
Height, mast extended h4, mm	2030	3020	3515
Lifting height max. h3+h13, mm	1600	2500	3000
Fork height lowered h13, mm	85	85	85
Overall length L1, mm	1720	1720	1720
Length incl. apron L2, mm	555	555	555
Overall width b1/b2, mm	765	765	765
Fork height s, mm	60	60	60
Fork width e, mm	180	180	180
Fork length l, mm	1100	1100	1100
Outside dimension of forks b5, mm	570	570	570
Ground clearance m2, mm	25	25	25
Aisle width pallet Ast, mm	2145	2145	2145
Turning circle radius Wa, mm	1280	1280	1280
Lifting speed with/without load, m/s	0.08/0.13	0.08/0.13	0.08/0.13
Lowering speed with/without load, m/s	0.42/0.19	0.42/0.19	0.42/0.19
Hoist motor rating, kW	1.5	1.5	1.5
Battery according to DIN 43531	semi traction battery	semi traction battery	semi traction battery
Battery charger, V/A	12/20A	12/20A	12/20A
Battery voltage, capacity, V/Ah	12/150	12/150	12/150

¹ PA... Polyamide, PUR... Polyurethane



Manual drive stacker with electric-hydraulic lift, model EHH PS

Capacity 1000 - 1200 kg,
fork height max. 3500 mm

Suitable for occasional to medium applications of stacking
and transporting palletised loads, also in confined areas.

Features

- Easy to operate via tie-rod guides to both steer wheels.
- Compact electric-hydraulic lifting device and overload protection.
- Finely metered lowering of load through pressure relief valve and adjustable lowering valve.
- Mast welded from precision profiles, fork carriage with maintenance free guide rollers.
- Retention by parking brake.
- Robust frame with two load and two steer rollers.

Scope of delivery

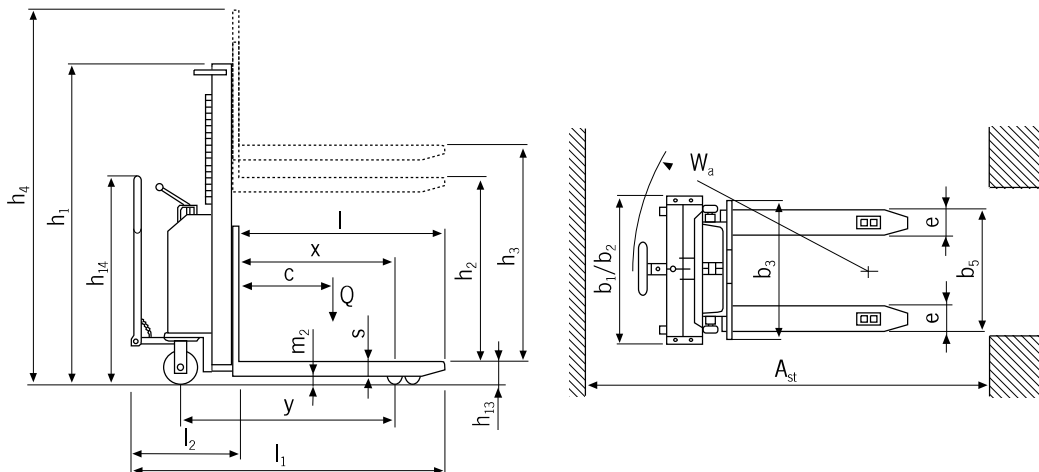
- Battery and battery charger included.



Technical data model EHH PS

Model	EHH PS 1009	EHH PS 1016	EHH PS 1225	EHH PS 1229	EHH PS 1235
Art.-No.	040046051	040044422	040044424	040044425	040044426
Capacity (up to 2.5 m lift), kg	1000	1000	1200	1200	1200
Load center c, mm	600	600	600	600	600
Wheelbase y, mm	965	965	1155	1155	1155
Weight (with battery), kg	296	311	433	449	496
Tyre type ¹	VG/PA	VG/PA	PUR/PA	PUR/PA	PUR/PA
Steering rollers, mm	200x50	200x50	200x50	200x50	200x50
Load rollers, mm	82x70	82x70	82x70	82x70	82x70
Number of wheels/load rollers	2/2	2/2	2/2	2/2	2/2
Height, mast retracted h1, mm	1300	1970	1780	1980	2250
Free lift h2, mm	810	1510	-	-	80
Stroke h3, mm	810	1510	2410	2810	3410
Height, mast extended h4, mm	1300	1970	2985	3385	3915
Lifting height max. h3+h13, mm	900	1600	2500	2900	3500
Fork height lowered h13, mm	90	90	90	90	90
Overall length L1, mm	1750	1750	1850	1850	1850
Length incl. apron L2, mm	600	600	700	700	700
Overall width b1/b2, mm	750	750	850	850	850
Fork height s, mm	70	70	70	70	70
Fork width e, mm	150	150	150	150	150
Fork length l, mm	1150	1150	1150	1150	1150
Outside dimension of forks b5, mm	560	560	560	560	560
Ground clearance m2, mm	20	20	20	20	20
Aisle width pallet Ast, mm	2210	2210	2375	2375	2375
Turning circle radius Wa, mm	1440	1440	1760	1760	1760
Lifting speed with/without load, m/s	0.09/0.12	0.09/0.12	0.08/0.12	0.08/0.12	0.08/0.12
Lowering speed with/without load, m/s	0.4/0.1	0.4/0.1	0.4/0.1	0.4/0.1	0.4/0.1
Hoist motor rating, kW	1.6	1.6	2.2	2.2	2.2
Battery according to DIN 43531	starter	starter	starter	starter	starter
Battery charger, V/A	12/10	12/10	12/10	12/10	12/10
Battery voltage, capacity, V/Ah	12/74	12/74	24/74	24/74	24/74

¹ PA... Polyamide, PUR... Polyurethane, VG... Solid rubber



Electric pedestrian stacker model EGV PSL

Capacity 1000 - 1200 kg,
fork height max. 3500 mm

Ideal for stacking and transportation of palletised goods within a warehouse environment for short haul and medium work load applications.

Features

- Multifunctional control handle for easy handling.
The electric pallet lift truck will automatically be slowed down if the control handle is no longer in the users hand.
- Reliable impulse control for stepless regulation of drive speed.
- Compact electric-hydraulic lifting device and overload protection.
- Finely metered lowering of load through pressure relief valve and adjustable lowering valve.
- Mast welded from precision profiles, fork carriage with maintenance free guide rollers.
- Solid frame with one drive wheel and two load and two guide rollers.

Scope of delivery

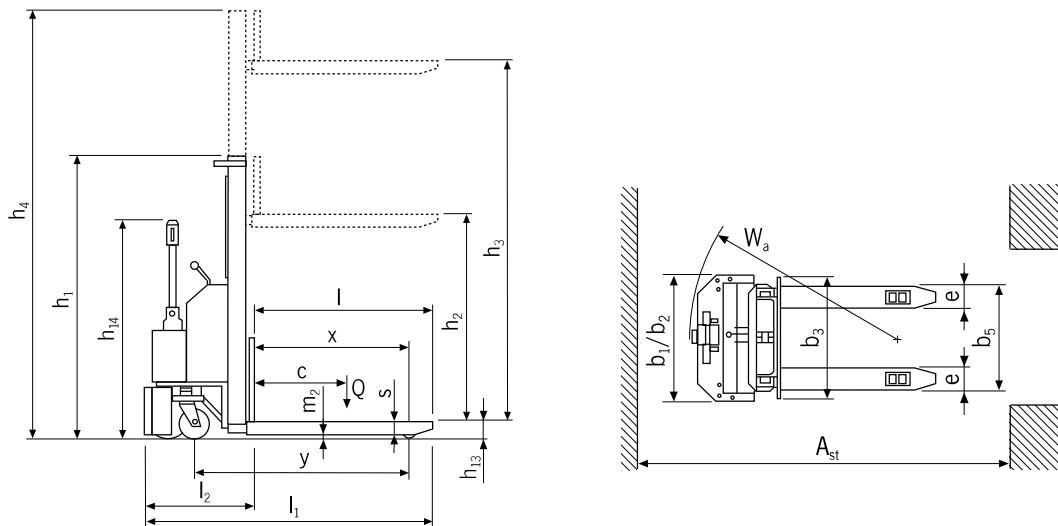
- Battery and battery charger included.



Technical data model EGV PSL

Model	EGV PSL 1016 II <i>new</i>	EGV PSL 1225	EGV PSL 1229	EGV PSL 1235
Art.-No.	192021784	040040503	040040504	040044421
Actuation	electric	electric	electric	electric
Operation	pedestrian	pedestrian	pedestrian	pedestrian
Capacity (up to 2.5 m lift), kg	1000	1200	1200	1200
Load center c, mm	600	600	600	600
Wheelbase y, mm	1165	1190	1190	1190
Weight (with battery), kg	363	481	496	531
Tyre type ¹	PUR/VG+PUR	PUR+VG/PUR	PUR+VG/PUR	PUR+VG/PUR
Steering rollers, mm	186x50+125x45	250x76+150x40	250x76+150x40	250x76+150x40
Load rollers, mm	82x70	82x70	82x70	82x70
Number of wheels/load rollers (x=driven)	1x+1/2	2+1x/2	2+1x/2	2+1x/2
Height, mast retracted h1, mm	1970	1780	1980	2250
Free lift h2, mm	1510	-	-	80
Stroke, mm	1510	2410	2810	3410
Height, mast extended h4, mm	1970	2985	3385	3915
Fork height max. h3, mm	1600	2500	2900	3500
Height of control handle max. h14, mm	1365	1390	1390	1390
Fork height lowered h13, mm	90	90	90	90
Overall length L1, mm	1675	1825	1825	1825
Length incl. apron L2, mm	522	675	675	675
Overall width b1/b2, mm	794	850	850	850
Fork height s, mm	60	70	70	70
Fork width e, mm	150	150	150	150
Fork length l, mm	1153	1150	1150	1150
Clearance fork tip-roller, x	365	365	365	365
Outside dimension of forks b5, mm	560	560	560	560
Ground clearance m2, mm	20	20	20	20
Aisle width pallet Ast, mm	2120	2075	2075	2075
Turning circle radius Wa, mm	1344	1460	1460	1460
Travel speed with/without load, km/h	3.7/4.3	4.0/5.0	4.0/5.0	4.0/5.0
Lifting speed with/without load, m/s	0.11/0.18	0.08/0.12	0.08/0.12	0.08/0.12
Lowering speed with/without load, m/s	0.18/0.18	0.4/0.1	0.4/0.1	0.4/0.1
Gradient with/without load, %	9/25	5/10	5/10	5/10
Service brake	electric	electric	electric	electric
Drive motor rating, kW	0.35	0.7	0.7	0.7
Hoist motor rating, kW	2.2	2.2	2.2	2.2
Battery	starter	starter	starter	starter
Battery charger, V/A	24/12	24/12	24/12	24/12
Battery voltage, V/Ah	24/70	24/92	24/92	24/92
Type of control	impulse	impulse	impulse	impulse

¹ PUR... Polyurethane, VG... Solid rubber



Electric pedestrian stacker model EGV PSH II

Capacity 1200 - 1600 kg,
fork height max. 5000 mm

The revised edition of the model range EGV PSH II is the professional solution for indoor transportation and stacking of palletized loads over longer distances and higher capacity utilization.

Features

- Multifunctional control handle with integrated drive switches and lifting and lowering functions directly on the control handle.
- Proportionally controllable lifting and lowering functions for better positioning of the loads.
- Compact overall dimensions, only 800 mm wide allows operations in narrow corridors.
- Ultra-slow drive function enables exact driving in very tight spaces.
- Drive and lifting speeds have been increased for this revised model.

Options

- Drivers platform
- Free lift
- Initial lift



INFO

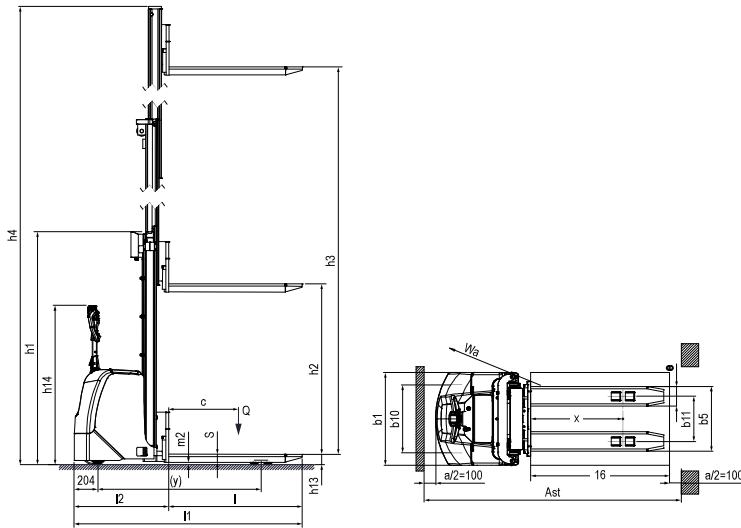
Battery and battery charger are to be ordered separately.

Technical data model EGV PSH 12 II

Model	EGV PSH 12-16 II	EGV PSH 12-25 II	EGV PSH 12-29 II	EGV PSH 12-35 II
Art.-No.	25412161	25412251	25412291	25412351
Actuation	electric	electric	electric	electric
Operation	pedestrian	pedestrian	pedestrian	pedestrian
Capacity (up to 2.5 m lift), kg	1200	1200	1200	1200
Load center c, mm	600	600	600	600
Wheelbase y, mm	1307	1307	1307	1307
Weight (with battery 180 Ah), kg	841	900	915	937
Tyre type ¹	PUR/VG+PUR	PUR/VG+PUR	PUR/VG+PUR	PUR/VG+PUR
Steering rollers, mm	250x101+100x38	250x101+100x38	250x101+100x38	250x101+100x38
Load rollers, mm	82x70	82x70	82x70	82x70
Number of wheels/load rollers (x=driven)	1x +2/4	1x +2/4	1x +2/4	1x +2/4
Height, mast retracted h1, mm	1965	1785	1987	2265
Free lift h2, mm	1510	-	-	80
Stroke, mm	1510	2410	2810	3410
Height, mast extended h4, mm	1965	2990	3392	3970
Fork height max. h3, mm	1600	2500	2900	3500
Height of control handle max. h14, mm	1390	1390	1390	1390
Fork height lowered h13, mm	90	90	90	90
Overall length L1, mm	1920	1920	1920	1920
Length incl. apron L2, mm	770	770	770	770
Overall width b1/b2, mm	800	800	800	800
Fork height s, mm	70	70	70	70
Fork width e, mm	150	150	150	150
Fork length l, mm	1150	1150	1150	1150
Outside dimension of forks b5, mm	560	560	560	560
Ground clearance, mm	20	20	20	20
Aisle width pallet Ast, mm	2169	2169	2169	2169
Turning circle radius Wa, mm	1550	1550	1550	1550
Travel speed with/without load, km/h	6/6	6/6	6/6	6/6
Lifting speed with/without load, m/s	0.12/0.17	0.12/0.17	0.12/0.17	0.12/0.17
Lowering speed with/without load, m/s	0.22/0.12	0.22/0.12	0.22/0.12	0.22/0.12
Gradient max. with/without load, %	5/10	5/10	5/10	5/10
Service brake	electric	electric	electric	electric
Drive motor rating, kW	1.2	1.2	1.2	1.2
Hoist motor rating, kW	3.2	3.2	3.2	3.2
Battery ²	PzS	PzS	PzS	PzS
Battery voltage, V/Ah	24/225-300	24/225-300	24/225-300	24/225-300
Battery weight, kg	270	270	270	270
Type of control	impulse	impulse	impulse	impulse

¹ PUR... Polyurethane, VG... Solid rubber

² PzS... Traction battery



Material Handling Equipment Electric pedestrian stackers

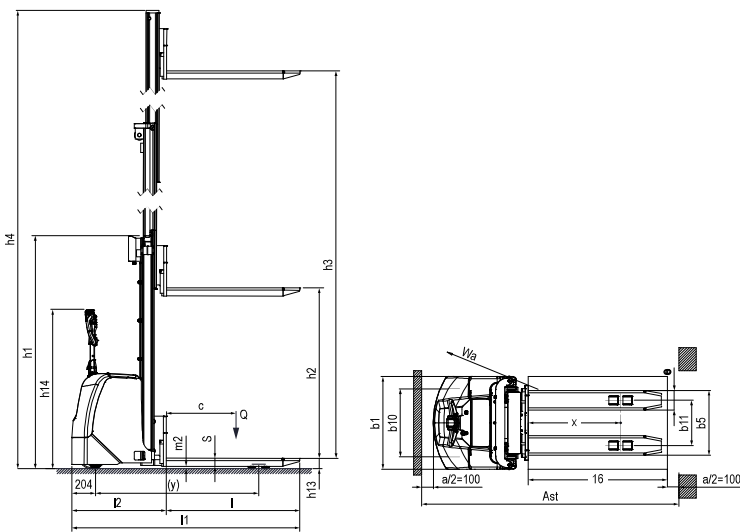
Technical data model EGV PSH 14 II and initial lift

Model	EGV PSH 14-45T II	EGV PSH 14-45TF II	EGV PSH 14-50T II	EGV PSH 14-25 IL II	EGV PSH 14-45 IL II
Art.-No.	25414453	25414455	25414503	25414257	25414457
Actuation	electric	electric	electric	electric	electric
Operation	pedestrian	pedestrian	pedestrian	pedestrian	pedestrian
Capacity (up to 2.5 m lift), kg	1400	1400	1400	1400	1400
Load center c, mm	600	600	600	600	600
Wheelbase y, mm	1370	1370	1370	1555	1555
Weight (with battery 180 Ah), kg	1190	1223	1229	1055	1232
Tyre type ¹	PUR/VG+PUR	PUR/VG+PUR	PUR/VG+PUR	PUR/VG+PUR	PUR/VG+PUR
Steering rollers, mm	250x101+100x38	250x101+100x38	250x101+100x38	250x101+100x38	250x101+100x38
Load rollers, mm	82x70	82x70	82x70	78x78	78x78
Number of wheels/load rollers (x=driven)	1x +2/4	1x +2/4	1x +2/4	1x +2/4	1x +2/4
Height, mast retracted h1, mm	2080	2089	2285	1765	2099
Free lift h2, mm	-	1470	-	-	-
Stroke, mm	4410	4410	5025	2410	4410
Height, mast extended h4, mm	5020	5029	5635	2970	5039
Fork height max. h3, mm	4500	4500	5115	2500	4500
Height of control handle max. h14, mm	1390	1390	1390	1390	1390
Fork height lowered h13, mm	90	90	90	90	90
Overall length L1, mm	1966	1966	1966	2110	2110
Length incl. apron	816	816	816	960	960
Overall width b1/b2, mm	800	800	800	800	800
Fork height s, mm	70	70	70	70	70
Fork width e, mm	170	170	170	200	200
Fork length l, mm	1150	1150	1150	1150	1150
Outside dimension of forks b5, mm	560	560	560	560	560
Ground clearance, mm	20	20	20	17/137	17/137
Aisle width pallet Ast, mm	2389	2389	2389	2446	2446
Turning circle radius Wa, mm	1613	1613	1613	1694	1694
Travel speed with/without load, km/h	6/6	6/6	6/6	5.5/6	5.5/6
Lifting speed with/without load, m/s	0.14/0.28	0.14/0.28	0.14/0.28	0.08/0.12	0.08/0.12
Lowering speed with/without load, m/s	0.34/0.40	0.34/0.40	0.34/0.40	0.34/0.40	0.34/0.40
Gradient max. with/without load, %	5/10	5/10	5/10	5/10	5/10
Service brake	electric	electric	electric	electric	electric
Drive motor rating, kW	1.2	1.2	1.2	1.2	1.2
Hoist motor rating, kW	3.2	3.2	3.2	3.2	3.2
Battery ²	PzS	PzS	PzS	PzS	PzS
Battery voltage, V/Ah	24/300 ³	24/300 ³	24/300 ³	24/225-300	24/225-300
Battery weight, kg	270	270	270	270	270
Type of control	impulse	impulse	impulse	impulse	impulse

¹ PUR... Polyurethane, VG... Solid rubber

² PzS... Traction battery

³ Unit only supplied with 300Ah battery

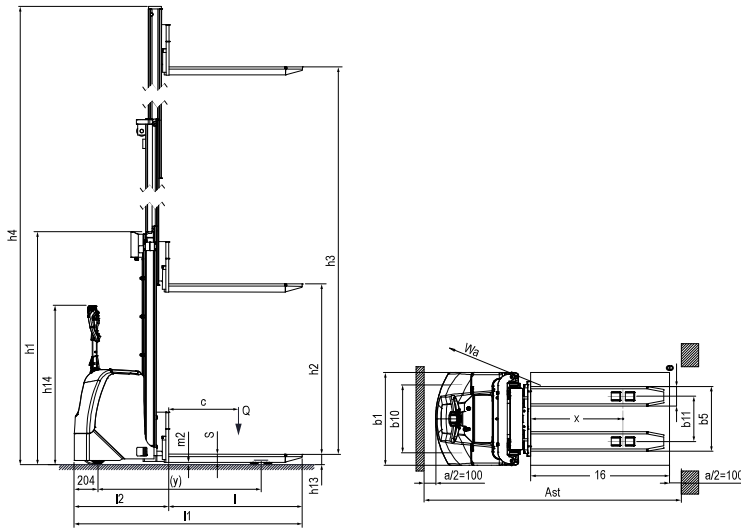


Technical data model EGV PSH 16 II

Model	EGV PSH 16-16 II	EGV PSH 16-25 II	EGV PSH 16-29 II	EGV PSH 16-35 II
Art.-No.	25416161	25416251	25416291	25416351
Actuation	electric	electric	electric	electric
Operation	pedestrian	pedestrian	pedestrian	pedestrian
Capacity (up to 2.5m lift), kg	1600	1600	1600	1600
Load center c, mm	600	600	600	600
Wheelbase y, mm	1370	1370	1370	1370
Weight (with battery 180 Ah), kg	920	1025	1050	1090
Tyre type ¹	PUR/VG+PUR	PUR/VG+PUR	PUR/VG+PUR	PUR/VG+PUR
Steering rollers, mm	250x101+100x38	250x101+100x38	250x101+100x38	250x101+100x38
Load rollers, mm	82x70	82x70	82x70	82x70
Number of wheels/load rollers (x=driven)	1x +2/4	1x +2/4	1x +2/4	1x +2/4
Height, mast retracted h1, mm	1965	1765	1965	2265
Free lift h2, mm	1510	-	-	-
Stroke, mm	1510	2410	2810	3410
Height, mast extended h4, mm	1965	2970	3370	3970
Fork height max. h3, mm	1600	2500	2900	3500
Height of control handle max. h14, mm	1390	1390	1390	1390
Fork height lowered h13, mm	90	90	90	90
Overall length L1, mm	1944	1944	1944	1944
Length incl. apron L2, mm	795	795	795	795
Overall width b1/b2, mm	800	800	800	800
Fork height s, mm	70	70	70	70
Fork width e, mm	170	170	170	170
Fork length l, mm	1150	1150	1150	1150
Outside dimension of forks b5, mm	560	560	560	560
Ground clearance, mm	20	20	20	20
Aisle width pallet Ast, mm	2195	2195	2195	2195
Turning circle radius Wa, mm	1613	1613	1613	1613
Travel speed with/without load, km/h	6/6	6/6	6/6	6/6
Lifting speed with/without load, m/s	0.13/0.25	0.13/0.25	0.13/0.25	0.13/0.25
Lowering speed with/without load, m/s	0.31/0.38	0.31/0.38	0.31/0.38	0.31/0.38
Gradient max. with/without load, %	5/10	5/10	5/10	5/10
Service brake	electric	electric	electric	electric
Drive motor rating, kW	1.2	1.2	1.2	1.2
Hoist motor rating, kW	3.2	3.2	3.2	3.2
Battery ²	PzS	PzS	PzS	PzS
Battery voltage, V/Ah	24/225-300	24/225-300	24/225-300	24/225-300
Battery weight, kg	270	270	270	270
Type of control	impulse	impulse	impulse	impulse

¹ PUR... Polyurethane, VG... Solid rubber

² PzS... Traction battery



Electric pedestrian stacker model EGV PSL 1016 II

Capacity 1000 kg
fork height max. 1600 mm

New!

The revised edition of the model EGV PSL 1016 II is the ideal solution for indoor transportation and of palletized goods within a warehouse environment for short haul and medium work load applications.

Features

- The slim single mast and the laterally, ergonomic tiller ensure a free view onto the goods as in front of the stacker.
- The fork thickness of 60 mm enables an easier entrance inside pallets, while working in elevation.
- Easy maintenance – the convenient access opening at the bottom of the forklift allows an immediate disassembly of motor wheel, portal and tiller without lifting the machine.
- The reduced overall width of 794 mm improves the handling of goods in narrow spaces and corridors.
- Ultra-slow drive function enables exact driving in very tight spaces.



INFO

Platformlift model PRAKTIKUS HP

Capacity 400 kg,
platform height max. 1200 mm

For the occasional, internal application of lifting and transporting of goods.

Features

- Easy lifting by tiltable foot pedal.
- Lowering speed can be finely metered for sensitive lowering of the load.
- Ergonomic handlebar for easy operation.
- Steering roller with brake for safe parking of the hand stacker.
- Robust construction with chrome plated chassis, hard chromium plated piston and pressure relief valve.
- Covered chain deflection for increased safety.



Technical data model PRAKTIKUS HP

Model	HP 0485	HP 0412
Art.-No.	040008778	040008779
Capacity, kg	400	400
Platform height max. $h_3 + h_{13}$, mm	850	1200
Platform height min. h_{13} , mm	200	200
Free lift h_2 , mm	650	1000
Stroke h_3 , mm	650	1000
Lifting height per pump stroke, mm	23	23
Overall height h_1 , mm	960	1310
Overall length L_1 , mm	1037	1037
Overall width b_1 , mm	590	590
Platform length P_1 , mm	650	650
Platform width P_2 , mm	550	550
Tyre type ¹	VG/VG	VG/VG
Steering rollers, mm	150x45	150x45
Load rollers, mm	150x45	150x45
Number of wheels/load rollers	2/2	2/2
Ground clearance m_1 , mm	50	50
Wheelbase y , mm	785	785
Weight, kg	66	71

¹ VG... Solid rubber

