

# AZOL GAS

*Service in Motion*



## 2018

GAS SPRINGS  
GASDRUCKFEDERN  
RESSORTS À GAZ  
CILINDRI AD AZOTO  
RESORTES DE GAS  
CILINDROS DE GÁS



*Service in Motion* 2018



GAS SPRINGS  
GASDRUCKFEDERN  
RESSORTS À GAZ  
CILINDRI AD AZOTO  
RESORTES DE GAS  
CILINDROS DE GÁS



**AZOLGAS WORLDWIDE**

**AUSTRIA**  
**BELGIUM**  
**CZECH R.**  
**DENMARK**  
**FRANCE**  
**FINLAND**  
**GERMANY**  
**HOLLAND**  
**HUNGARY**  
**ITALY**  
**NORWAY**  
**POLAND**  
**PORTUGAL**  
**ROMANIA**  
**SERBIA**  
**SLOVAKIA**  
**SLOVENIA**  
**SPAIN**  
**SWEDEN**  
**TURKEY**  
**U. KINGDOM**

**BELARUS**  
**RUSSIA**  
**UKRAINE**

**CHINA**  
**JAPAN**  
**SOUTH KOREA**



**EGYPT**  
**INDIA**  
**IRAN**  
**MOROCCO**  
**SOUTH AFRICA**

**AUSTRALIA**  
**INDONESIA**  
**MALAYSIA**  
**SINGAPORE**  
**THAILAND**

# AZOLGAS WORLDWIDE
















**CANADA  
MEXICO  
USA**

**ARGENTINA  
BRAZIL  
ECUADOR  
PERU**




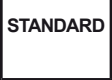





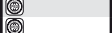









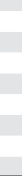

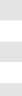



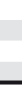



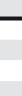

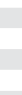



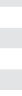




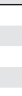

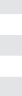
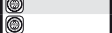
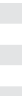


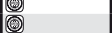
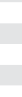
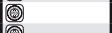
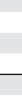


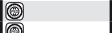
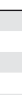

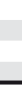

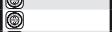
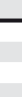


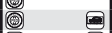
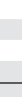
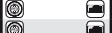
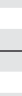
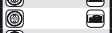
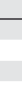

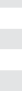
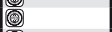
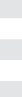
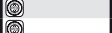
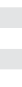

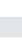
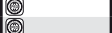

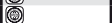



**NEW**
**AZOL**  
**GAS**

CODE	ITEM	Page
<b>600-CPM6 03</b>	New Control Panel	562
<b>AC 210</b>	New N2 Tank Adapter	618
<b>AC 220</b>	New N2 Tank Adapter	618
<b>AC 230</b>	New N2 Tank Adapter	618
<b>AC 270</b>	New N2 Tank Adapter	618
<b>AC 340</b>	New N2 Tank Adapter	618
<b>AC 380</b>	New N2 Tank Adapter	618
<b>AC 580</b>	New N2 Tank Adapter	618
<b>AC 585</b>	New N2 Tank Adapter	618
<b>AX9-050</b>	New Flange	282
<b>AX9-075</b>	New Flange	292
<b>AX9-095</b>	New Flange	298
<b>AY4-050</b>	New Flange	282
<b>AY4-063</b>	New Flange	283
<b>AY4-075</b>	New Flange	292
<b>AY4-095</b>	New Flange	298
<b>AY4-120</b>	New Flange	304
<b>AY4-150</b>	New Flange	310
<b>B28-075</b>	New Flange	263
<b>B33-050</b>	New Flange	283
<b>B33-075</b>	New Flange	292
<b>B33-095</b>	New Flange	298
<b>B33-120</b>	New Flange	304
<b>B43-045</b>	New Flange	248
<b>B43-050</b>	New Flange	253
<b>B43-075</b>	New Flange	263
<b>B43-095</b>	New Flange	269
<b>B43-120</b>	New Flange	275
<b>B56-050</b>	New Flange	283
<b>B56-075</b>	New Flange	293
<b>B56-095</b>	New Flange	299
<b>B56-120</b>	New Flange	305
<b>B56-150</b>	New Flange	311
<b>B61-050</b>	New Flange	283
<b>B61-075</b>	New Flange	293
<b>B61-095</b>	New Flange	299
<b>B61-120</b>	New Flange	305
<b>B61-150</b>	New Flange	311
<b>B66-075</b>	New Flange	293
<b>B66-095</b>	New Flange	299
<b>B66-120</b>	New Flange	305
<b>B66-150</b>	New Flange	311
<b>B71-050</b>	New Flange	283
<b>B71-075</b>	New Flange	293
<b>B71-095</b>	New Flange	299
<b>B71-120</b>	New Flange	305
<b>B71-150</b>	New Flange	311
<b>B88-075</b>	New Flange	294
<b>B88-095</b>	New Flange	300
<b>B88-120</b>	New Flange	306
<b>B88-150</b>	New Flange	312
<b>B91-050</b>	New Flange	284
<b>B91-075</b>	New Flange	294
<b>B91-095</b>	New Flange	300
<b>B93-075</b>	New Flange	294
<b>B93-095</b>	New Flange	300
<b>B93-120</b>	New Flange	306
<b>B93-150</b>	New Flange	312
<b>CY0-050</b>	New Flange	254
<b>CY0-075</b>	New Flange	264
<b>CY0-095</b>	New Flange	270
<b>CY0-120</b>	New Flange	276
<b>D47-050</b>	New Flange	285

CODE	ITEM	Page
<b>D47-075</b>	New Flange	295
<b>DM 01 17</b>	New M12x1,5 Adapter	582
<b>DM 01 31</b>	New M12x1,5 Adapter	582
<b>DM 01 38</b>	New M12x1,5 Adapter	582
<b>DM 02 43</b>	New M12x1,5 Adapter	582
<b>DM 02 57</b>	New M12x1,5 Adapter	582
<b>DM 02 64</b>	New M12x1,5 Adapter	582
<b>DM 03 17</b>	New M12x1,5 Adapter	582
<b>DM 03 31</b>	New M12x1,5 Adapter	582
<b>DM 03 38</b>	New M12x1,5 Adapter	582
<b>DM 04 43</b>	New M12x1,5 Adapter	583
<b>DM 04 57</b>	New M12x1,5 Adapter	583
<b>DM 04 64</b>	New M12x1,5 Adapter	583
<b>HJLL</b>	New M12x1,5 Hose	578
<b>HJLT</b>	New M12x1,5 Terminal	579
<b>HJRL</b>	New M12x1,5 Hose	578
<b>HJRR</b>	New M12x1,5 Hose	578
<b>HJRT</b>	New M12x1,5 Terminal	579
<b>KT 1000</b>	New Gas Spring	280
<b>KT 1500</b>	New Gas Spring	286
<b>KT 2400</b>	New Gas Spring	290
<b>KT 4200</b>	New Gas Spring	296
<b>KT 6600</b>	New Gas Spring	302
<b>KT 9500</b>	New Gas Spring	308
<b>KXMK</b>	New M8x1 Adapter	575

<b>GAS SPRINGS</b>		<i>MINI</i>	<b>AFB / AFH / AFJ / AFK / AFC / AFNA / AF / AFT</b>	1 - 20
		<i>THREADED</i>	<b>AS / ASP</b>	21 - 32
		<i>ISO</i>	<b>AG</b>	33 - 70
		<i>HEAVY DUTY</i>	<b>CD</b>	71 - 108
			<b>CM</b>	109 - 144
			<b>GN</b>	145 - 166
		<i>LOW PROFILE</i>	<b>FD</b>	167 - 190
			<b>CK</b>	191 - 218
			<b>CT</b>	219 - 240
		<i>COMPACT HEIGHT</i>	<b>KZ</b>	241 - 278
			<b>KT</b>	279 - 314
			<b>CW / CWC</b>	315 - 368
		<i>HEAVY LOAD</i>	<b>CP</b>	369 - 386
<b>CPH</b>			387 - 398	
	<i>POWER COMPACT STROKE</i>	<b>CS</b>	399 - 432	
	<i>SPECIAL APPLICATIONS</i>	<b>ROB / ROT / VH / ART</b>	433 - 454	
	<i>SPEED CONTROL</i>	<b>VAM</b>	455 - 482	
<b>GAS STRIPPERS / STOCK LIFTERS</b>			<b>EF / M / EX / EXD</b>	483 - 536
<b>SCRAP REMOVER</b>			<b>SP-ER</b>	537 - 542
<b>HOSED SYSTEMS ACCESSORIES</b>				543 - 620

## SELECTION GUIDE

SERIES	MODEL	F <sub>0</sub> (daN)	Ø	S	L1			STANDARD	Page
<b>MINI</b> 	AFB V2	50	Ø12	7 - 80	56 - 205	180	X		2
	AFH V1	90	Ø15	7 - 80	56 - 205	180	X		4
	AFJ V1	90	Ø19	7 - 125	56 - 295	180	X		6
	AFK V1	100	Ø20	10 - 80	74 - 214	160	X		8
	AFD V1	200	Ø25	7 - 125	56 - 295	180	X		10
	AFC	200	Ø25	7 - 125	56 - 295	180	X		12
	AFNA	200	Ø25	10 - 50	65 - 145	180	X		14
	AF V1	200	Ø25	12 - 100	78 - 254	180	X		16
	AFT V1	350	Ø32	7 - 125	56 - 295	180	X		18
<b>THREADED</b> 	AS 200	200	M28x1.5	10 - 125	62 - 292	180	X		22
	AS 300	300	M38x1.5	12.7 - 125	75.4 - 300	150	X		24
	ASP 250	250	M36x1	15 - 100	84 - 254	150	X		26
	ASP 300	300	M38x1.5	12.7 - 100	75.4 - 250	150	X		28
	ASP 500 V1	500	M45x1	15 - 100	84 - 254	150	X		30
<b>ISO</b> 	AG 150	150	Ø32	10 - 125	70 - 300	180			34
	AG 250	250	Ø38	10 - 125	70 - 300	150			36
	AG 500	500	Ø45	10 - 160	105 - 405	150			40
	AG 750	750	Ø50	12.7 - 300	120.4 - 695	150			44
	AG 1500	1500	Ø75	12.7 - 300	135.4 - 710	150			48
	AG 3000	3000	Ø95	25 - 300	170 - 720	150			52
	AG 5000	5000	Ø120	25 - 300	190 - 740	150			56
	AG 7500	7500	Ø150	25 - 300	205 - 755	150			60
	AG 10000	10000	Ø195	25 - 300	210 - 760	150			64
	<b>HEAVY DUTY</b> 	CD 300 V1	300	Ø32	10 - 125	70 - 300	150		
CD 500 V1		500	Ø38	10 - 125	70 - 300	150			74
CD 700		700	Ø45	12.7 - 160	110.4 - 405	150			76
CD 1000 V1		1000	Ø50	13 - 300	121 - 695	150			80
CD 1500 V2		1500	Ø63	25 - 200	145 - 495	150			84
CD 2400		2400	Ø75	25 - 300	160 - 710	150			88
CD 4200		4200	Ø95	25 - 300	170 - 720	150			92
CD 6600		6600	Ø120	25 - 300	190 - 740	150			96
CD 9600		9600	Ø150	25 - 300	205 - 755	150			100
CD 18500		18500	Ø195	25 - 300	210 - 760	150			104
CM 200		200	Ø25	10 - 80	80 - 220	180	X		110
CM 300		300	Ø32	12 - 100	84 - 260	150			112
CM 350 V1		350	Ø32	10 - 80	70 - 210	150			114
CM 500 V1		500	Ø38	10 - 100	75 - 260	150			116
CM 600 V1		600	Ø45	12 - 100	84 - 260	150			118
CM 1000 V1		1000	Ø50	25 - 200	135 - 495	160			120
CM 1500 V1		1500	Ø63	25 - 200	135 - 495	150			124
CM 2500 V1		2500	Ø75	25 - 200	145 - 510	160			128
CM 4000 V1		4000	Ø95	25 - 200	155 - 530	150			132
CM 6500 V1		6500	Ø120	25 - 200	165 - 540	150			136
CM 10000		10000	Ø150	25 - 200	186 - 536	160			140
GN 750		750	Ø50	12.5 - 200	95 - 470	150			146
GN 1500		1500	Ø75	25 - 250	135 - 585	150			150
GN 3000	3000	Ø95	25 - 250	145 - 595	150			154	
GN 5000	5000	Ø120	25 - 250	152.5 - 602.5	150			158	
GN 7500	7500	Ø150	25 - 250	155 - 605	150			162	
<b>LOW PROFILE</b> 	FD 300	300	Ø38	10 - 125	70 - 125	150			168
	FD 500	500	Ø45	12.7 - 125	75.4 - 300	150			170
	FD 750 V1	750	Ø50	12.7 - 125	75.4 - 300	150			174
	FD 1500 V2	1500	Ø75	25 - 100	110 - 260	150			178
	FD 3000	3000	Ø95	25 - 125	120 - 320	150			182
	FD 5000 V1	5000	Ø120	25 - 100	140 - 290	150			186
	CK 200 V1	200	Ø25	7 - 100	46 - 232	180	X		192
	CK 300 V1	300	Ø32	7 - 100	53 - 239	150			194
	CK 570 V1	570	Ø38	10 - 125	57 - 287	150			196
	CK 750 V1	750	Ø45	12 - 100	74 - 250	150			198
	CK 1000 V1	1000	Ø50	12 - 100	74 - 250	160			202
	CK 1500 V2	1500	Ø63	12 - 100	84 - 260	150			206
	CK 2500 V1	2500	Ø75	12 - 100	84 - 260	160			210
	CK 4000 V1	4000	Ø95	25 - 100	120 - 270	150			214















# SELECTION GUIDE

SERIES	MODEL	F <sub>0</sub> (daN)	Ø	S	L1			STANDARD	Page
<b>LOW PROFILE</b> 	CT 200 V1	200	Ø25	7 - 80	47 - 193	180	X		220
	CT 300 V1	300	Ø32	7 - 100	51 - 237	150	X		222
	CT 550 V1	550	Ø38	12 - 125	56 - 282	150	X		224
	CT 1000	1000	Ø50	10 - 125	58 - 288	160	X		226
	CT 1500	1500	Ø63	12 - 125	76 - 302	150	X		230
	CT 3000	3000	Ø75	12 - 125	78 - 304	150	X		234
	CT 5000	5000	Ø105	12 - 125	84 - 310	150	X		238
<b>COMPACT HEIGHT</b> 	KZ 350	350	Ø32	10 - 125	60 - 290	180	X		242
	KZ 500	500	Ø38	10 - 125	60 - 290	150	X		244
	KZ 750 V1	750	Ø45	10 - 125	67 - 297	150	X		246
	KZ 1000 V1	1000	Ø50	13 - 125	78 - 302	150	X		250
	KZ 1500	1500	Ø63	13 - 125	78 - 302	150	X		256
	KZ 2400	2400	Ø75	16 - 125	91 - 309	150	X		260
	KZ 4200	4200	Ø95	16 - 125	94 - 312	150	X		266
	KZ 6600	6600	Ø120	16 - 125	104 - 322	150	X		272
	KT 1000	1000	Ø50	10 - 125	72 - 302	150	X		280
	KT 1500	1500	Ø63	13 - 125	78 - 302	150	X		286
	KT 2400	2400	Ø75	13 - 125	85 - 309	150	X		290
	KT 4200	4200	Ø95	16 - 125	94 - 312	150	X		296
	KT 6600	6600	Ø120	16 - 125	104 - 322	150	X		302
	KT 9500	9500	Ø150	19 - 125	116 - 328	150	X		308
	CW 170 V1	170	Ø19	7 - 125	44 - 285	180	X		316
	CW 320 V1	320	Ø25	7 - 125	44 - 285	180	X		318
	CW 350 V1	350	Ø32	10 - 125	50 - 280	180	X		320
	CW 500 V1	500	Ø38	10 - 125	50 - 280	150	X		322
	CW 750 V1	750	Ø45	10 - 125	52 - 282	150	X		324
	CW 1000 V2	1000	Ø50	13 - 125	64 - 288	150	X		330
	CW 1500	1500	Ø63	13 - 125	70 - 294	150	X		336
	CW 2400 V1	2400	Ø75	16 - 125	77 - 295	150	X		342
	CW 4200 V1	4200	Ø95	16 - 125	90 - 308	150	X		348
	CW 6600	6600	Ø120	16 - 125	100 - 318	150	X		352
	CW 9500	9500	Ø150	19 - 125	116 - 328	150	X		356
	CW 11800	11800	Ø150	19 - 125	116 - 328	150	X		360
	CW 20000	20000	Ø195	19 - 125	148 - 360	150	X		364
	<b>HEAVY LOAD</b> 	CP 150 V1	150	Ø19	10 - 80	75 - 220	160	X	
CP 300 V1		300	Ø25	10 - 80	75 - 220	170	X		372
CP 500 V1		500	Ø32	10 - 80	75 - 225	200	X		374
CP 1000 V1		1000	Ø38	10 - 80	75 - 240	205	X		376
CP 2000 V1		2000	Ø50	10 - 80	80 - 245	210	X		378
CP 3000 V1		3000	Ø63	10 - 80	95 - 255	190	X		380
CP 5000 V1		5000	Ø75	10 - 80	100 - 275	200	X		382
CP 8000 V1		8000	Ø95	10 - 80	110 - 290	180	X		384
CPH 850 V1		850	Ø38	12 - 80	74 - 225	175	X		388
CPH 1250 V1		1250	Ø45	12 - 80	79 - 230	175	X		390
CPH 1700 V1		1700	Ø50	12 - 80	84 - 235	175	X		392
CPH 2800 V1		2800	Ø63	12 - 80	94 - 250	175	X		394
CPH 4300 V1	4300	Ø75	12 - 80	94 - 250	175	X		396	
<b>POWER COMPACT STROKE</b> 	CS 420 V1	420	Ø25	6 - 50	56 - 195	165	X		400
	CS 770 V2	770	Ø32	6 - 50	63 - 195	150	X		402
	CS 1000 V1	1000	Ø38	6 - 50	61 - 230	150	X		404
	CS 1800 V1	1800	Ø50	6 - 50	66 - 220	150	X		408
	CS 3000 V2	3000	Ø63	10 - 50	85 - 205	150	X		412
	CS 4700 V1	4700	Ø75	10 - 50	80 - 240	150	X		416
	CS 7500 V1	7500	Ø95	10 - 50	90 - 255	150	X		420
	CS 11800 V1	11800	Ø120	10 - 50	100 - 260	150	X		424
CS 18300 V1	18300	Ø150	10 - 50	110 - 270	150	X		428	

## SELECTION GUIDE

SERIES	MODEL	F <sub>0</sub> (daN) 	∅ 	S 	L1 	 P <sub>max</sub>	Page
<b>GAS STRIPPERS</b> 	<b>EFG 16</b>	6 - 50	M16x1.5	10 - 100	80 - 260	180	484
	<b>EFGC 16</b>	6 - 50	M16x1.5	10 - 125	65 - 295	180	486
	<b>EFGD 16</b>	6 - 50	M16x2	10 - 125	65 - 295	180	488
	<b>EFGL 16</b>	6 - 50	M16x1.5	7 - 80	56 - 205	180	490
	<b>EFGQ 16</b>	6 - 50	M16x2	7 - 80	56 - 205	180	492
	<b>EFT 16</b>	6 - 50	M16x1.5	10 - 125	65 - 295	180	494
	<b>EFV 16</b>	6 - 50	M16x2	7 - 80	56 - 205	180	496
	<b>EFG 24</b>	23 - 200	M24x1.5	10 - 100	80 - 260	180	498
	<b>EFGC 24</b>	23 - 200	M24x1.5	10 - 125	65 - 295	180	500
	<b>EFGL 24</b>	10 - 90	M24x1.5	7 - 125	56 - 295	180	502
	<b>EFK 24</b>	23 - 200	M24x1.5	10 - 125	65 - 295	180	504
	<b>EFV 24</b>	10 - 90	M24x1.5	7 - 125	56 - 295	180	506












SERIES	MODEL	F <sub>0</sub>	Ø	S	L1	ROD MATERIAL	Page
		(N)					
<b>SPRING PLUNGERS</b>  	<b>MBR</b>	20 - 55	M16	20 - 50	100 - 250	S45C (STEEL)	508
	<b>MBN</b>	16 - 80	M16 - M22	11 - 41	91 - 267	S45C (STEEL)	509
	<b>MBP</b>	42	Ø10	10	40	S45C (STEEL)	509
	<b>MBSD</b>	5 - 20	M5 - M16	1.5 - 4.5	13.5 - 26.5	S45C (STEEL)	510
	<b>MBSL</b>	2 - 10	M5 - M16	1.5 - 4.5	13.5 - 26.5	S45C (STEEL)	510
	<b>MBT</b>	2 - 70	M3 - M24	1 - 10	13 - 62	S45C (STEEL)	511
	<b>MBTH</b>	11 - 75	M5 - M24	2.3 - 10	20.3 - 62	S45C (STEEL)	511
	<b>MBZ</b>	2 - 59	M16	20 - 80	100 - 280	S45C (STEEL)	512
	<b>MBFP</b>	2 - 35	M16x1.5	20 - 50	100 - 200	S45C (STEEL)	513
	<b>MBHM</b>	7 - 13.2	M16x1.5	20 - 50	100 - 200	POM (POLYOXYMETHYLENE)	513
	<b>MBHC</b>	4 - 18	M16	10 - 80	70 - 280	S45C (STEEL)	514
	<b>MBHF</b>	10 - 80	M16x1.5	10 - 80	70 - 280	S45C (STEEL)	514
	<b>MBHG</b>	10 - 80	M16	10 - 80	70 - 280	S45C (STEEL)	515
	<b>MBHS</b>	10 - 80	M16x1.5	10 - 80	70 - 280	S45C (STEEL)	515
	<b>MBJS</b>	0.05 - 1.9	M3 - M16	1.5 - 20	11.5 - 105	S45C (STEEL)	516
	<b>MBJX</b>	2 - 37	M3 - M24	1.5 - 30	16.5 - 155	S45C (STEEL)	516
	<b>MBJL</b>	0.3 - 28	M3 - M30	1.5 - 80	11.5 - 265	S45C (STEEL)	517
	<b>MBJH</b>	0.8 - 53	M3 - M30	1.5 - 80	11.5 - 265	S45C (STEEL)	518
	<b>MPSJ</b>	0.05 - 1.9	M3 - M16	1.5 - 20	11.5 - 105	POM (POLYOXYMETHYLENE)	519
	<b>MPLJ</b>	0.3 - 20	M3 - M24	1.5 - 30	11.5 - 155	POM (POLYOXYMETHYLENE)	519
	<b>MPHJ</b>	0.8 - 47	M3 - M24	1.5 - 30	11.5 - 155	POM (POLYOXYMETHYLENE)	520
	<b>MPXJ</b>	2 - 37	M3 - M16	1.5 - 20	16.5 - 110	POM (POLYOXYMETHYLENE)	520
	<b>MBSN</b>	0.72 - 1.9	M5 - M16	3 - 20	23 - 105	S45C (STEEL)	521
	<b>MBLN</b>	2 - 6	M5 - M16	3 - 20	23 - 105	S45C (STEEL)	521
	<b>MBHN</b>	3 - 19	M5 - M16	3 - 20	23 - 105	S45C (STEEL)	522
	<b>MBXN</b>	9 - 37	M5 - M16	3 - 20	30 - 110	S45C (STEEL)	522
	<b>MPNS</b>	0.72 - 1.9	M5 - M16	3 - 20	23 - 105	POM (POLYOXYMETHYLENE)	523
	<b>MPNL</b>	2 - 6	M5 - M16	3 - 20	23 - 105	POM (POLYOXYMETHYLENE)	523
<b>MPNH</b>	3 - 19	M5 - M16	3 - 20	23 - 105	POM (POLYOXYMETHYLENE)	524	



# SELECTION CHART

Ø F <sub>o</sub>	1700 - 2000	2400 - 2500	2800 - 3000	4000 - 4300	4700 - 5000	6500 - 6600	7500 - 8000	9500 - 10000	11800	18300 - 20000
12										
15										
19										
20										
25										
M28x1.5										
32										
M36x1										
38										
M38x1.5										
45										
M45x1										
50	CPH 1700 CS 1800 CP 2000									
63			CPH 2800 CP 3000 CS 3000							
75		CD 2400 KZ 2400 KT 2400 CW 2400 CWC 2400 CM 2500 CK 2500	CT 3000	CPH 4300	CS 4700 CP 5000					
95			AG 3000 GN 3000 FD 3000	CM 4000 CK 4000 CD 4200 KZ 4200 KT 4200 CW 4200			CS 7500 CP 8000			
105					CT 5000					
120					AG 5000 GN 5000 FD 5000	CM 6500 CD 6600 KZ 6600 KT 6600 CW 6600			CS 11800	
150							AG 7500 GN 7500	KT 9500 CW 9500 CD 9600 CM 10000	CW 11800	CS 18300
195								AG 10000		CD 18500 CW 20000

# INDEX

<p style="text-align: center; color: gray; font-size: 2em; transform: rotate(-45deg);">MINI</p>	 <p style="text-align: center;"><b>AFB</b></p> <p style="text-align: center;">Page 2</p>	 <p style="text-align: center;"><b>AFH</b></p> <p style="text-align: center;">Page 4</p>	 <p style="text-align: center;"><b>AFJ</b></p> <p style="text-align: center;">Page 6</p>
 <p style="text-align: center;"><b>AFK</b></p> <p style="text-align: center;">Page 8</p>	 <p style="text-align: center;"><b>AFD</b></p> <p style="text-align: center;">Page 10</p>	 <p style="text-align: center;"><b>AFC</b></p> <p style="text-align: center;">Page 12</p>	 <p style="text-align: center;"><b>AFNA</b></p> <p style="text-align: center;">Page 14</p>
 <p style="text-align: center;"><b>AF</b></p> <p style="text-align: center;">Page 16</p>	 <p style="text-align: center;"><b>AFT</b></p> <p style="text-align: center;">Page 18</p>		
<p style="text-align: center; color: gray; font-size: 2em; transform: rotate(-45deg);">THREADED</p>	 <p style="text-align: center;"><b>AS</b></p> <p style="text-align: center;">Page 22 - 24</p>	 <p style="text-align: center;"><b>ASP</b></p> <p style="text-align: center;">Page 26 - 30</p>	

ISO



**AG**

**Page 34 - 64**

HEAVY  
DUTY



**CD**

**Page 72 - 104**



**CM**

**Page 110 - 140**



**GN**

**Page 146 - 162**

LOW  
PROFILE



**FD**

**Page 168 - 186**



**CK**

**Page 192 - 214**



**CT**

**Page 220 - 238**

COMPACT  
HEIGHT



**KZ**

**Page 242 - 272**



**KT**

**Page 280 - 308**



**CW**

**Page 316 - 364**

# INDEX



**CWC**

Page 326 - 344

HEAVY  
LOAD



**CP**

Page 370 - 384



**CPH**

Page 388 - 396

POWER  
COMPACT  
STROKE



**CS**

Page 400 - 428

SPECIAL  
APPLICATIONS



**ROB/ROT**

Page 434 - 441



**VH**




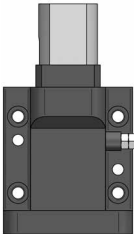
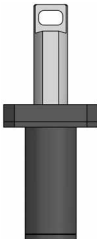

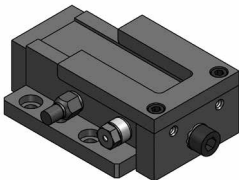
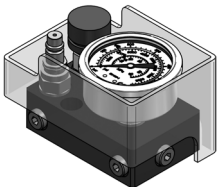

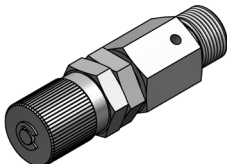
Page 442 - 446



**ART**

Page 448 - 453

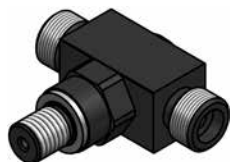


<p>SPEED CONTROL</p>	 <p><b>VAM</b></p> <p>Page 458 - 478</p>		
<p>GAS STRIPPERS/ STOCK LIFTERS</p>	 <p><b>EF</b></p> <p>Page 484 - 506</p>	 <p><b>M</b></p> <p>Page 508 - 524</p>	 <p><b>EX</b></p> <p>Page 526 - 528</p>
 <p><b>EXD</b></p> <p>Page 530 - 553</p>	 <p><b>PME/PGE/PGN/PGH</b></p> <p>Page 534 - 535</p>	<p>SCRAP REMOVER</p>	 <p><b>SP-ER</b></p> <p>Page 538 - 541</p>
<p>ACCESSORIES</p>	 <p><b>600-CP</b></p> <p>Page 560 - 563</p>	 <p><b>Q_M / Q_F</b></p> <p>Page 564</p>	 <p><b>VD</b></p> <p>Page 564</p>

# INDEX



 <p><b>MN</b> Page 565</p>	 <p><b>SPS</b> Page 565</p>	 <p><b>EDS</b> Page 566 - 567</p>	 <p><b>PL_</b> Page 568 - 569</p>
 <p><b>G1/8" (Ø5)</b> Page 570 - 571</p>	 <p><b>GST</b> Page 571</p>	 <p><b>GPT</b> Page 571</p>	 <p><b>GRT</b> Page 571</p>
 <p><b>GF 02</b> Page 571</p>	 <p><b>RBP 5</b> Page 571</p>	 <p><b>CM 1/8"</b> Page 571</p>	 <p><b>SKK</b> Page 572</p>
 <p><b>CF</b> Page 572 - 573</p>	 <p><b>M8x1 (Ø5)</b> Page 574</p>	 <p><b>BKRT</b> Page 574</p>	 <p><b>KR/KC/KT</b> Page 575</p>



**\_ \_BK**

Page 575



**M12x1,5 (Ø10)**

Page 576 - 577



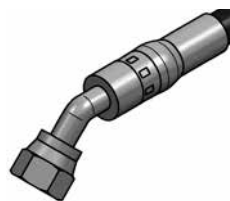
**TNRT**

Page 577



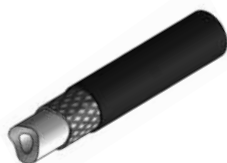
**TNLT**

Page 577



**TNCT**

Page 577



**GF 05**

Page 577



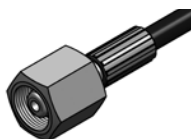
**RBP 10**

Page 577



**M12x1,5 (Ø5)**

Page 578



**HJRT**

Page 579



**HJLT**

Page 579



**D\_ \_**

Page 580 - 583



**7/16" (Ø10)**

Page 584



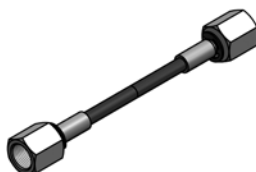
**TFRT**

Page 585



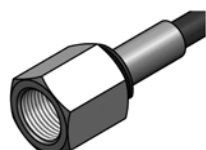
**TFLT**

Page 585



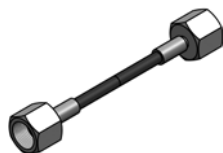
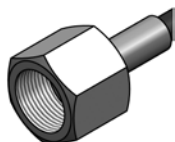
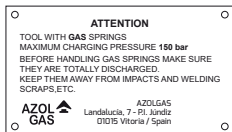
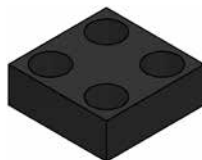
**7/16" (Ø5)**

















Page 586



**SMRT**

Page 587

**INDEX****7\_ \_ \_****Page 588 - 589****9/16" (Ø10)****Page 590****MCRT****Page 591****MCLT****Page 591****9/16" (Ø5)****Page 592****GTRT****Page 593****GTLT****Page 593****9\_ \_ \_****Page 594****DFC****Page 596 - 597****PI****Page 598 - 601****SP \_ \_****Page 602 - 605****FP****Page 606 -607****LM****Page 612****DALL****Page 613****DPA 5****Page 613****T \_ \_****Page 613**

 <p><b>A 550 1/8-M6</b> Page 613</p>	 <p><b>LRP</b> Page 613</p>	 <p><b>DIN 7757</b> Page 614</p>	 <p><b>XTC-M6</b> Page 614</p>
 <p><b>A 800</b> Page 614</p>	 <p><b>ALXTC</b> Page 614</p>	 <p><b>DMNL</b> Page 614</p>	 <p><b>DDNM</b> Page 614</p>
 <p><b>DBNA</b> Page 616</p>	 <p><b>EC 03</b> Page 617</p>	 <p><b>LTH 600</b> Page 617</p>	 <p><b>EC 38</b> Page 617</p>
 <p><b>A 400 C</b> Page 617</p>	 <p><b>EC 37</b> Page 618</p>	 <p><b>__CG__-Q</b> Page 619</p>	 <p><b>EC 39</b> Page 619</p>



**1-BENEFITS** \_\_\_\_\_ **Page XXIV**

**2-OPERATING INSTRUCTIONS** \_\_\_\_\_ **Page XXVI**

**3-HOW TO USE THE CATALOGUE** \_\_\_\_\_ **Page XXXII**

**4-MOUNTING GUIDELINES** \_\_\_\_\_ **Page XXXVI**

**5-COLOR CODE** \_\_\_\_\_ **Page LII**

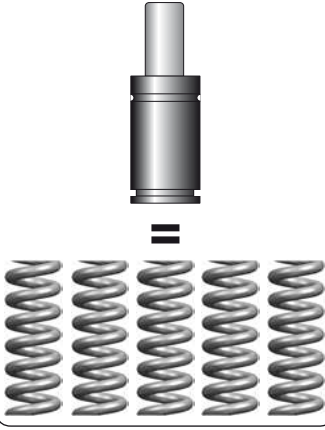
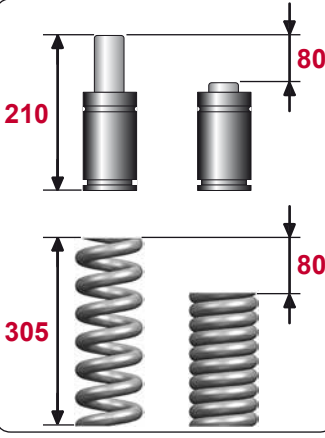
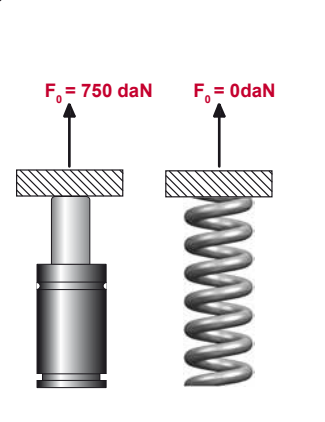
**6-HOSED SYSTEMS** \_\_\_\_\_ **Page LIV**

**7-SAFETY-VDI** \_\_\_\_\_ **Page LVI**

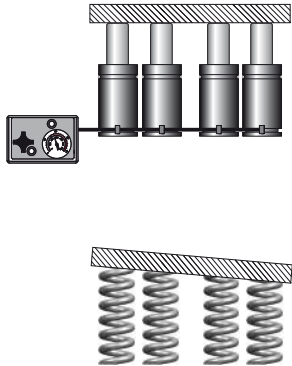
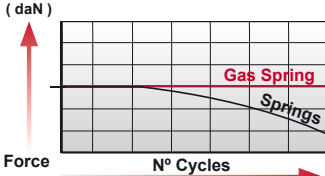
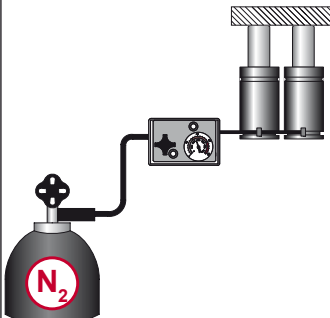
**8-REPAIR KIT** \_\_\_\_\_ **Page LVIII**

**9-MARKING GAS SPRING** \_\_\_\_\_ **Page LX**

# BENEFITS

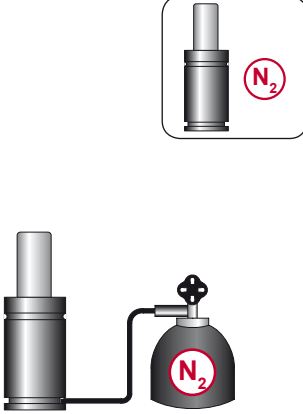
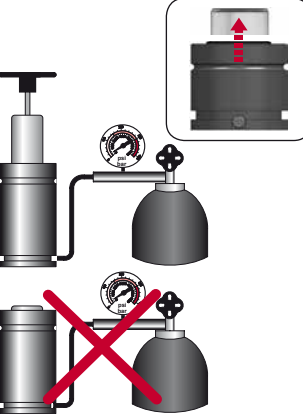
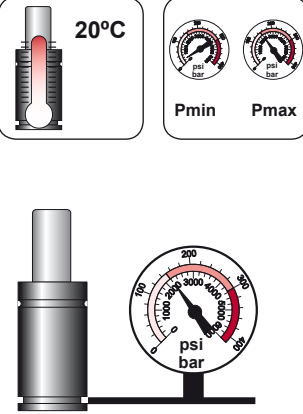
	<p>ENG Reduction of surface area used, height, and volume occupied.</p> <p>DEU Beansprucht weniger Nutzfläche, Höhe und Raum.</p> <p>FRA Réduction de la surface occupée, de l'espace en hauteur, et du volume total occupée.</p> <p>ITA Riduzione della superficie occupata, dello spazio in altezza, del volume occupato.</p> <p>ESP Reducción de la superficie usada, de la altura, y del volumen ocupado.</p> <p>POR Redução da superfície ocupada, do espaço em altura, del volumen ocupado.</p>
	<p>ENG Considerable height reduction for the same working deflection and force. Compact tool construction.</p> <p>DEU Beträchtlich niedrigere Höhe bei gleichem Hub und gleicher Kraft. Kompaktere Werkzeugentwicklung.</p> <p>FRA Réduction importante des encombrements en hauteur avec une course et une force équivalente. Construction plus compacte de l'outillage.</p> <p>ITA Notevole riduzione degli ingombri in altezza a parità di forza e corsa. Costruzione dello stampo più compatta.</p> <p>ESP Reducción notable de la altura para fuerzas y carreras equivalentes. Construcción más compacta del troquel.</p> <p>POR Redução notável em altura com igual força e curso. Construção mais compacta da Ferramenta.</p>
	<p>ENG Considerable reduction of retaining devices to preload. No preload required.</p> <p>DEU Kein Bedarf an Vorrichtungen für Vorspannung, Führung und Aufnahme. Das Vorspannen fällt komplett weg.</p> <p>FRA Réduction importante du nombre de dispositifs de précharge et guidage. Elimination de la précharge.</p> <p>ITA Eliminazione dei dispositivi di precarico e guidaggio. Eliminazione precarico.</p> <p>ESP Eliminación de los dispositivos de precarga y guiado. Eliminación de la precarga.</p> <p>POR Eliminação de dispositivos de pré-carga e guidamento. Eliminação da pré-carga.</p>



	<p><b>ENG</b> Always the same force on each contact point. Forces may be positioned exactly where required. System may be continually pressure monitored.</p> <p><b>DEU</b> Immer ausgeglichene und gleichförmige Kraft an allen Kontaktpunkten. Die angewandte Kraft ist für die exakte Stelle des Gesenks einstellbar. Ständig sichtbare Anzeige des Betriebsdrucks.</p> <p><b>FRA</b> Force toujours équilibrée et égale en tous points de contact. Force que l'on peut positionner exactement là où elle est exigée dans l'outil. Visualisation continue de la pression dans le système.</p> <p><b>ITA</b> Forza sempre bilanciata in tutti i punti di contatto. Forza posizionabile esattamente dove richiesto nello stampo. Visualizzazione continua della pressione.</p> <p><b>ESP</b> Fuerza siempre equilibrada en cada punto de contacto. Fuerza posicionable en el troquel donde se requiere exactamente. Visualización continua de la presión.</p> <p><b>POR</b> Força sempre equilibrada em todos os pontos de contacto. Força posicionável exactamente onde é necessária na Ferramenta. Visualização continua da pressão.</p>
	<p><b>ENG</b> Controlled production conditions on piece-parts during forming and drawing operations. Less rejection of piece-parts.</p> <p><b>DEU</b> Bessere Kontrollmöglichkeit während des Form- bzw. Ziehprozesses des Werkstücks. Höhere Qualität der Pressteile. Weniger Ausschuss.</p> <p><b>FRA</b> Un meilleur contrôle de la pièce pendant les phases de découpage et d'emboutissage. Une quantité moindre de rebuts en production.</p> <p><b>ITA</b> Migliore controllo del materiale durante le fasi di formatura e imbutitura. Migliore qualità dei pezzi stampati. Minori scarti di produzione.</p> <p><b>ESP</b> Mayor control de las condiciones de producción durante las operaciones de conformado y embutición. Mejor calidad de las piezas. Menores rechazos en piezas.</p> <p><b>POR</b> Melhor controlo dos materiais durante a fase de formação e de cunhagem. Melhor qualidade das peças estampadas. Menores desperdícios na produção.</p>
	<p><b>ENG</b> Gas springs applied to provide the real forces required. Assurance of defined forces. The same cylinder may be re-used for different applications.</p> <p><b>DEU</b> Gasdruckfedern können der genau erforderlichen Kraft angepasst werden. Derselbe Zylinder kann für mehrere verschiedene Arbeitsgänge eingesetzt werden.</p> <p><b>FRA</b> Adaptation des ressorts à gaz aux forces réellement requises. Certitude des forces définies. Utilisation d'un même ressort à gaz dans des travaux différents.</p> <p><b>ITA</b> Adeguamento dei cilindri alle forze realmente richieste. Utilizzo di uno stesso cilindro in lavori diversi.</p> <p><b>ESP</b> Adecuación de los cilindros a las fuerzas realmente necesarias. Utilización de un mismo cilindro en trabajos distintos.</p> <p><b>POR</b> Adaptação dos cilindros a las forças realmente necessárias. Utilização do mesmo cilindro em diferentes trabalhos.</p>


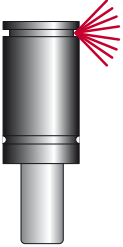
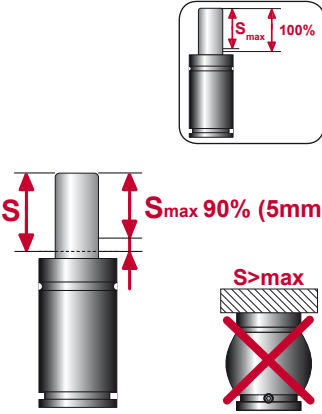
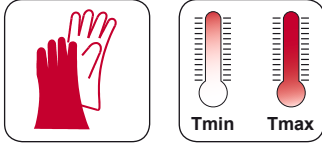

# OPERATING INSTRUCTIONS

**AZOL  
GAS**

	<p><b>ENG</b> Charge only with NITROGEN (N<sub>2</sub>). The use of other types of gas can result in high safety risks, failure of gas springs and personal injury</p> <p><b>DEU</b> Gasdruckfedern dürfen nur mit Stickstoff befüllt werden. Der Gebrauch eines anderen Füllmediums als Stickstoff birgt Sicherheitsrisiken, Fehlfunktionen der Gasdruckfedern und Gefahr für Personenschaden</p> <p><b>FRA</b> Charge seulement avec du GAZ AZOTE (N<sub>2</sub>). L'utilisation d'un autre type de gaz peut entraîner de sérieux risques pour la sécurité, des défaillances des ressorts à gaz et des dommages aux personnes.</p> <p><b>ITA</b> Caricare soltanto con GAS AZOTO (N<sub>2</sub>). L'uso di un altro tipo di gas può causare seri rischi di sicurezza, guasti dei cilindri di gas e danni alle persone.</p> <p><b>ESP</b> Cargar únicamente con GAS NITROGENO (N<sub>2</sub>). El uso de otro tipo de gas puede ocasionar graves riesgos para la seguridad, fallos en los cilindros de gas y daños para las personas.</p> <p><b>POR</b> Carregar somente com GÁS de NITROGÊNIO (N<sub>2</sub>). O uso de outro tipo de gás pode causar sérios riscos de segurança, falhas do cilindro de gás e danos às pessoas.</p>
	<p><b>ENG</b> Never fill a gas spring when the piston rod is not fully extended.</p> <p><b>DEU</b> Befüllung der Gasdruckfeder nur bei voll ausgefahrener Kolbenstange.</p> <p><b>FRA</b> Ne remplissez jamais un ressort où la tige n'est pas entièrement sortie.</p> <p><b>ITA</b> Caricare il cilindro ad azoto solo quando lo stelo e' completamente estratto.</p> <p><b>ESP</b> No cargar un cilindro de gas si el vástago no está completamente extendido.</p> <p><b>POR</b> Não carregue o cilindro se a haste não estiver totalmente fora do cilindro.</p>
	<p><b>ENG</b> Charge the gas spring between the minimum and the maximum allowable pressure, at a 20°C temperature.</p> <p><b>DEU</b> Gasdruckfedern dürfen nur zwischen dem minimal und maximal zulässigen Fülldruck befüllt werden, immer unter Berücksichtigung einer Umgebungstemperatur von 20°C.</p> <p><b>FRA</b> Chargez le ressort à gaz du minimum jusqu'à la pression maximale autorisée, à une température de 20°C.</p> <p><b>ITA</b> Caricare il cilindro ad azoto entro la pressione minima e massima autorizzata, ad una temperatura di 20°C.</p> <p><b>ESP</b> Cargar el cilindro de gas entre la máxima y mínima presión permitida, siempre teniendo en cuenta una temperatura de 20°C.</p> <p><b>POR</b> Sempre carregue o cilindro dentro do pressão mínimo e máximo autorizado, a uma temperatura de 20°C.</p>



# OPERATING INSTRUCTIONS

 	<p><b>ENG</b> When discharging a gas spring point the gas flow away from operator or anybody else. Use the appropriate tools and equipment when handling gas springs.</p> <p><b>DEU</b> Beim Entladen Ventil nicht auf Personen richten. Angemessene Werkzeuge und Ausrüstungen sind bei der Wartung der Gasdruckfedern zu benutzen.</p> <p><b>FRA</b> Pendant la décharge, dirigez l'écoulement de gaz à l'écart de l'opérateur ou d'autre personne. Utilisez les outils et l'équipement appropriés pour manipuler les ressorts à gaz.</p> <p><b>ITA</b> Durante lo scarico, orientare il flusso del gas in direzione opposta all'operatore ad altra persona. Utilizzare gli strumenti e le attrezzature appropriate durante la manipolazione delle molle a gas.</p> <p><b>ESP</b> Durante la descarga, orientar el flujo de gas fuera del alcance del operador o de cualquier persona. Utilice las herramientas y equipos apropiados cuando manipule los cilindros de gas.</p> <p><b>POR</b> Durante a descarga do cilindro aponte o fluxo de gás fora do alcance do operador ou qualquer outra pessoa. Use as ferramentas e equipamentos apropriados ao manipular molas de gás.</p>
	<p><b>ENG</b> Maximum recommended stroke 90%. Minimum stroke reserve: up to stroke 50mm (10%), over stroke 50 mm (5 mm). Overstroke &gt;100% would cause damages to the cylinder and serious risks.</p> <p><b>DEU</b> Maximal empfohlener Arbeitshub = 90%. Mindesthubreserve: bis Hub 50 mm (10%), und bei Hüben grösser als 50 mm (5 mm). Überhub &gt;100% schadet der Gasdruckfeder und birgt große Risiken für Gesundheit und Leben von Personen.</p> <p><b>FRA</b> Course recommandée maximale 90%. Réserve de course minimale: jusqu'à course 50 mm (10%), sur course 50 mm (5 mm). Une course &gt;100% causerait des dommages au cylindre et de graves risques.</p> <p><b>ITA</b> Corsa massima consigliata 90%. Riserva obbligatoria di corsa: fino a corsa 50mm (10%), più di corsa di 50 mm (5 mm). Un utilizzo &gt;100% della corsa causa danni al cilindro e gravi rischi per la sicurezza.</p> <p><b>ESP</b> Carrera máxima recomendada 90%. Reserva de carrera mínima: hasta carrera 50 mm (10%), y superior a carrera 50 mm (5 mm). Excesos de carrera &gt; 100% causarían daños al cilindro y graves riesgos.</p> <p><b>POR</b> Curso de trabalho máximo recomendado de 90%. Reserva mínima de curso: até curso 50mm (10%), sobre curso 50 mm (5 mm). Curso &gt;100% causará danos ao cilindro e riscos graves.</p>
 	<p><b>ENG</b> Respect the limits of the operating temperature. When operating, gas springs become heated. Always wear safety gloves to handle gas springs.</p> <p><b>DEU</b> Die Grenzen der Arbeitstemperatur sind zu berücksichtigen. Während der Arbeitszyklen erhitzen sich die Gasdruckfedern. Sicherheitshandschuhe sind bei der Wartung der Gasdruckfedern immer zu tragen.</p> <p><b>FRA</b> Respecter les limites de température de fonctionnement. Les ressorts à gaz sont chauffés pendant le fonctionnement. Toujours utiliser des gants de sécurité pour la manipulation des ressorts.</p> <p><b>ITA</b> Rispettare i limiti di temperatura di funzionamento. Le molle a gas sono riscaldate durante il funzionamento. Utilizzare sempre guanti di sicurezza per la manipolazione delle molle.</p> <p><b>ESP</b> Respetar los límites de temperatura de funcionamiento. Los cilindros de gas se calientan durante su funcionamiento. Utilice siempre guantes de seguridad para manipular los cilindros.</p> <p><b>POR</b> Respeitar os limites de temperatura de funcionamento. Os cilindros de gás são aquecidas durante a operação. Utilize sempre luvas de segurança para manuseio de cilindros de gás.</p>

# OPERATING INSTRUCTIONS


**AZOL  
GAS**

 	<p><b>ENG</b> Do not exceed the maximum allowed stroke speed. Maximum allowed cycles per minute should never be exceeded.</p> <p><b>DEU</b> Die maximal zulässige Kolbengeschwindigkeit ist nicht zu überschreiten. Die maximale Hubfrequenz sollte nicht überschritten werden.</p> <p><b>FRA</b> Ne dépassez pas la vitesse maximale de course autorisée. Les cycles par minute maximales autorisées ne doit jamais être dépassée.</p> <p><b>ITA</b> Non superare la velocità massima di corsa autorizzata. I cicli massime autorizzate al minuto non deve mai essere superata.</p> <p><b>ESP</b> No superar la velocidad máxima de carrera. El número de ciclos por minuto permitidos no debe superarse.</p> <p><b>POR</b> Não exceda a velocidade máxima do curso autorizada. Os ciclos máximos autorizados por minuto não deve ser excedido.</p>
	<p><b>ENG</b> Avoid freely release of the piston rod, this would cause damages to the gas spring. Do not check the force of gas springs by using whatever impact on piston rod.</p> <p><b>DEU</b> Ein freier Rückhub muss vermieden werden, um Beschädigungen an der Gasdruckfeder zu vermeiden. Kraft der Gasdruckfedern nicht mit Gegenständen prüfen, die Schaden an der Kolbenstange verursachen könnten.</p> <p><b>FRA</b> Évitez le dégageement libre de la tige de piston, ceci endommagerait le ressort à gaz. Ne pas vérifier la force des ressorts à gaz en utilisant tout impact sur la tige.</p> <p><b>ITA</b> Evitare il ritorno libero dello stelo, per non danneggiare il cilindro ad azoto. Non controllare la forza delle molle a gas utilizzando qualsiasi impatto sulla stelo.</p> <p><b>ESP</b> Evitar el retorno libre del vástago, esto dañaría al cilindro de gas. No verificar la fuerza de los cilindros de gas usando cualquier impacto sobre el vástago.</p> <p><b>POR</b> Evite que a haste trabalhe livremente, isto causará danos ao cilindro. Não verifique a força das molas de gás usando qualquer impacto sobre a haste.</p>
	<p><b>ENG</b> Gas springs must always work completely perpendicular to the contact surface. Side loads increase wearing and reduce life expectancy.</p> <p><b>DEU</b> Die Gasdruckfedern sollten stets senkrecht zur Kontaktfläche arbeiten. Seitliche Kräfte erhöhen die Abnutzung der Komponenten und verringern die Standzeiten wesentlich.</p> <p><b>FRA</b> Les ressorts doivent toujours fonctionner complètement perpendiculaire à la surface de contact. Les charges latérales augmentent l'usure et réduisent la durée de vie.</p> <p><b>ITA</b> Le molle a gas devono funzionare sempre completamente il perpendicolare alla superficie di contatto. I carichi laterali aumentano l'usura e ne riducono la durata.</p> <p><b>ESP</b> Los cilindros de gas deben siempre trabajar de manera perpendicular a la superficie de contacto. Las cargas laterales aumentan el desgaste y reducen la vida útil.</p> <p><b>POR</b> Os cilindros devem sempre trabalhar de forma perpendicular à superfície de contato. As forças laterais aumentam o desgaste e reduzem a vida útil do cilindro.</p>



# OPERATING INSTRUCTIONS

	<p><b>ENG</b> When the gas springs are installed into a bored pocket, the bored pocket diameter should not exceed 1mm larger than the gas spring body diameter. And the bore pocket depth must be minimum 80% of L.</p> <p><b>DEU</b> Werden Gasdruckfedern in einer Vertiefung eingebaut, sollte der Bohrungsdurchmesser nur 1 mm grösser als der Federdurchmesser sein. Die Kaverne sollte mindestens 80% von L betragen.</p> <p><b>FRA</b> Quand les ressorts sont installés dans une poche, le diamètre de poche ne devrait pas dépasser 1 mm de plus que le diamètre de corps du ressort. Et la profondeur de la poche doit être au minimum de 80% de L.</p> <p><b>ITA</b> Quando le molle a gas sono installate in una sede alesata, il diametro alesato della stessa non deve essere superiore di 1mm, rispetto al diametro del corpo della molla a gas. E la profondità della sede alesata deve essere di almeno 80% di L.</p> <p><b>ESP</b> Cuando los cilindros de gas se instalan en una cajera, el diámetro de la cajera no debería exceder 1mm de la dimension del cuerpo del cilindro de gas. Y la profundidad de la cajera debe ser como mínimo el 80% de L.</p> <p><b>POR</b> Quando o cilindro for instalado dentro de um alojamento, o diâmetro do mesmo não pode exceder 1mm do diâmetro do corpo do cilindro. E a profundidade do alojamento deve ser no mínimo 80% de L.</p>
	<p><b>ENG</b> Do not use the rod threaded hole for fixing the gas spring into the tool. This hole is only to be used for maintenance operations or transport. (Gas springs heavier than 15 kgs are marked according to VDI).</p> <p><b>DEU</b> Das Gewinde in der Kolbenstange hat lediglich eine Wartungs- und/oder Transportfunktion. Es darf nie zur Befestigung der Gasdruckfeder benutzt werden. (Gasdruckfedern mit einem Gewicht &gt;15 kg sind VDI-konform gekennzeichnet)</p> <p><b>FRA</b> N'employez pas le trou fileté de la tige pour la fixation du ressort dans l'outil, seulement pour des opérations d'entretien ou transport. (Ressorts à gaz de plus de 15 kg sont marqués selon VDI).</p> <p><b>ITA</b> Non utilizzare il foro filettato dello stelo per fissare il cilindro allo stampo, solamente per gli interventi di manutenzione o trasporto. (Molle a gas più pesante di 15 kg sono marcati in conformità VDI).</p> <p><b>ESP</b> No usar el agujero roscado del vástago para la fijación del cilindro al útil, sólo para operaciones de mantenimiento o transporte. (Cilindros con peso superior a 15 kg se marcan de confirmidad a VDI).</p> <p><b>POR</b> Não use o furo rosqueado da haste para fixar o cilindro, só deve ser utilizado em serviços de manutenção ou transporte. (molas a gás com peso &gt; 15 kg são marcadas de acordo com a VDI).</p>
	<p><b>ENG</b> Fix the gas spring into the tool through the appropriate mount. The base should be supported at all the times. A flat surface against the base is always required.</p> <p><b>DEU</b> Die Befestigung der Gasdruckfeder ist mittels angemessener Befestigungsflansche vorzunehmen. Die Gasdruckfeder sollte stets bodengestützt sein. Eine ebene Stützfläche ist immer erforderlich.</p> <p><b>FRA</b> Fixez le ressort à gaz dans l'outil par la bride appropriée. La base doit être soutenue à tout moment. Une surface plane contre la base est toujours nécessaire.</p> <p><b>ITA</b> Fissare i cilindri ad azoto solamente con gli specifici elementi di fissaggio. E 'sempre consigliato di sostenere la base del cilindro del gas contro una superficie piana.</p> <p><b>ESP</b> Fijar el cilindro de gas al útil mediante las bridas adecuadas. Se recomienda siempre apoyar la base del cilindro de gas contra una superficie plana.</p> <p><b>POR</b> Fixe o cilindro na ferramenta com a flange adequada. É sempre recomendável para apoiar a base do cilindro de gás contra uma superfície plana.</p>

# OPERATING INSTRUCTIONS







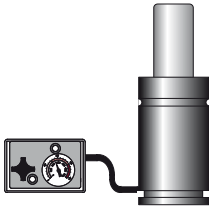
**AZOL  
GAS**


	<p><b>ENG</b> Protect the gas springs from solid or liquid contaminants. Provide adequate drainage in gas springs pockets.</p> <p><b>DEU</b> Schützen Sie die Gasdruckfedern vor Kontakt mit festen oder flüssigen Verschmutzungen. Bei Einbau in Vertiefungen müssen Drainage-Kanäle eingebracht werden.</p> <p><b>FRA</b> Protégez les ressorts à gaz contre les contaminants solides ou liquides. Un drainage dans les poches des ressorts est recommandé.</p> <p><b>ITA</b> Proteggere i cilindri ad azoto da ogni contaminazione solida o liquida. E' suggerito uno scarico sufficiente nel caso di sede alesata.</p> <p><b>ESP</b> Proteger los cilindros de gas de contaminantes sólidos o líquidos. Proporcionar drenaje adecuado a las cajeras donde se instalan los cilindros.</p> <p><b>POR</b> Proteja os cilindros de contaminadores sólidos ou líquidos. Recomena-se a drenagem dos alojamentos.</p>
	<p><b>ENG</b> Avoid whatever impact and do not make any mechanical work on the gas spring body or piston rod.</p> <p><b>DEU</b> Die Gasdruckfedern immer - insbesondere Gehäuse und Kolbenstangen - vor mechanischen Schlägen oder Beschädigungen schützen.</p> <p><b>FRA</b> Evitez quelqu'impact que ce soit et ne faites aucun travail mécanique sur la tige ou le corps du ressort à gaz.</p> <p><b>ITA</b> Evitare ogni lavoro meccanico ed ogni danneggiamento al corpo e allo stello della molla a gas.</p> <p><b>ESP</b> Evitar cualquier impacto o trabajo mecánico en el cuerpo o vástago del cilindro.</p> <p><b>POR</b> Evite qualquer impacto ou trabalho mecânico tanto na haste como no corpo do cilindro.</p>
	<p><b>ENG</b> Gas springs with scratches on the piston rod surface should be replaced.</p> <p><b>DEU</b> Gasdruckfedern mit Beschädigungen auf der Kolbenstangenoberfläche müssen ersetzt werden.</p> <p><b>FRA</b> Des ressorts à gaz avec des éraflures sur la surface de la tige devraient être remplacés.</p> <p><b>ITA</b> Le molle a gas con graffi sulla superficie dello stello devono essere sostituite.</p> <p><b>ESP</b> Los cilindros de gas con marcas en la superficie del vástago deberían reemplazarse.</p> <p><b>POR</b> O cilindro que apresentarem riscos na haste a mesma deverá ser substituída.</p>



# OPERATING INSTRUCTIONS

   	ENG	Gas springs maintenance must be carried out only by skilled personnel, with the appropriate training, and always following the operating and service instructions from Azolgas.
	DEU	Die Wartung an den Gasdruckfedern darf ausschließlich von geschulten Mitarbeitern durchgeführt werden. Die fachlichen Hinweise, Vorgaben und Anweisungen von Azolgas müssen unbedingt und jederzeit befolgt werden.
	FRA	L'entretien des ressorts à gaz doit être effectué uniquement par du personnel habilité, ayant les formations requises, et cela en respectant toujours les instructions de service d'Azolgas.
	ITA	La manutenzione delle molle a gas deve essere effettuata solo da personale esperto, con preparazione specifica e sempre seguendo le istruzioni di servizio di Azolgas.
	ESP	El mantenimiento de los resortes de gas debe ser efectuado por personal cualificado, con la debida formación, y siguiendo las instrucciones de utilización y mantenimiento de Azolgas.
	POR	A manutenção dos cilindros deve ser realizada somente por pessoas qualificadas, com treinamento apropriado, e seguindo as instruções de funcionamento e manutenção da Azolgas.

  	ENG	Most of Azolgas gas springs could be used into linked systems. Linked systems allow users to easily monitor, control and adjust pressure.
	DEU	Die meisten Azolgas-Gasdruckfedern können durch Verschlauchung in einem Verbundsystem genutzt werden. Dieses erleichtert das Steuern, Ablesen und Anpassen des Druckes.
	FRA	La plupart des ressorts à gaz Azolgas peuvent être utilisés dans les systèmes reliés. Cela permet facilement aux utilisateurs de surveiller, contrôler et ajuster la pression.
	ITA	La maggior parte delle molle a gas della Azolgas possono essere utilizzate in sistemi collegati, che permettono agli utenti di verificare, controllare ed intervenire sulla pressione.
	ESP	La mayoría de los cilindros de gas Azolgas pueden ser usados en sistemas conexonados, permitiendo al usuario la fácil monitorización, control y ajuste de presión.
	POR	A maioria dos cilindros Azolgas pode ser utilizado em sistemas interligados, permitindo ao usuário fácil monitoramento e controlo da pressão.

	ENG	Designed and manufactured according PED 2014/68/EU. The user of gas springs is responsible for installation and future inspections to be made to the springs in accordance with the regulations of the country where they will be used. Azolgas recommend to replace gas springs after 2 million strokes/10 years.
	DEU	Die Gasdruckfedern von Azolgas sind entwickelt und hergestellt nach der Druckgeräte-Richtlinie PED 2014/68/EU. Der Benutzer hat dafür zu sorgen, dass die nationalen Richtlinien bezüglich Inbetriebnahme, Wartung und wiederholten Prüfungen unbedingt eingehalten werden. Azolgas empfiehlt, die Gasdruckfedern nach 2 Millionen Hüben spätestens aber nach 10 Jahren zu ersetzen.
	FRA	Conçu et fabriqué selon PED 2014/68/EU. L'utilisateur des ressorts à gaz est responsable de l'installation et de futures inspections qui doivent être faites pour les ressorts à gaz conformément à la réglementation du pays où ils seront utilisés. Azolgas recommandent de remplacer des ressorts après 2 millions de cycles/10 années.
	ITA	Progettato e prodotto secondo PED 2014/68/EU. L'utente delle molle a gas è responsabile per l'installazione e le future ispezioni da effettuare per le molle a gas, secondo le norme del paese in cui verranno utilizzati. Azolgas suggerisce di sostituire le molle a gas dopo 2 milioni di colpi/10 anni.
	ESP	Diseñado y fabricado según PED 2014/68/EU. El usuario del equipo a presión deberá responsabilizarse de la instalación y de las futuras inspecciones a efectuar a dicho equipo de acuerdo con la normativa específica del país en el que vaya a utilizarse. Azolgas recomienda reemplazar los cilindros de gas después de 2 millones de ciclos/10 años.
	POR	Projetado e fabricado de acordo com a PED 2014/68/EU. O usuário dos cilindros a gás é responsável pela instalação e inspeções futuras a serem feitas para os cilindros, de acordo com as normas do país onde eles serão utilizados. Azolgas recomenda a troca dos cilindros após 2 milhões de ciclos/10 anos.

# HOW TO USE THE CATALOGUE



204
www.azolgas.com
Service in Motion
azolgas@azolgas.com
Tel. +34 945290010

## FD 1500 V2

Low Profile

ORDER	S (mm)	L1 ±0,25 (mm)	L (mm)	Kg
FD 1500 025 V2	25	110	85	1.94
FD 1500 032 V2	32	124	92	2.04
FD 1500 038 V2	38	136	98	2.13
FD 1500 050 V2	50	160	110	2.31
FD 1500 063 V2	63.5	187	123.5	2.50
FD 1500 080 V2	80	220	140	2.75
FD 1500 100 V2	100	260	160	3.41
FD 1500 125 V2	125	310	185	4.75

CODE	bar	psi	F <sub>0</sub> daN	F <sub>1</sub> daN
FD 1500 050 V2	150	2145	1530	2140
FD-H 1500 050 V2	0	0	---	---

ENG ORDER	DEU BESTELLUNG	FRA COMMANDE	ITA ORDINE	ESP PEDIDO	POR PEDIDO
FD	1500	50			

FD 1500 050 V2

ENG ORDER	DEU BESTELLUNG	FRA COMMANDE	ITA ORDINE	ESP PEDIDO	POR PEDIDO
FD	1500	50			

FD 1500 050 V2

N<sub>2</sub>

Smax < 90%

Vmax 1,6 m/s

Pmin 20 (20°C)  
Pmax 150 (2175)

Tmin Tmax

600 CP-

9

10

11

12

13

14

5

6

7

8



# HOW TO USE THE CATALOGUE

**1**

ENG	MODEL
DEU	MODELL
FRA	MODÈLE
ITA	MODELLO
ESP	MODELO
POR	MODELO

**8**

ENG	MAX. RECOMMENDED STROKES/MINUTE
DEU	MAX.ZULÄSSIGE HÜBE/MINUTE
FRA	MAX. CYCLES/MINUTE RECOMMANDÉ
ITA	CADENZA MAX. CORSA/MINUTO CONSIGLIATA
ESP	CADENCIA MAX. RECOMENDADA CARRERAS/MINUTO
POR	CADÊNCIA MAX. RECOMENDADA CICLOS/MINUTO

**2**

ENG	VERSION
DEU	VERSION
FRA	VERSION
ITA	VERSIONE
ESP	VERSIÓN
POR	VERSÃO

**9**

ENG	PRESSURE MEDIUM
DEU	DRUCK-MEDIUM
FRA	GAZ DE CHARGEMENT
ITA	GAS DI CARICAMENTO
ESP	GAS DE CARGA
POR	GÁS DE CARGA

**3**

ENG	FILLING PRESSURE
DEU	FÜLLDRUCK
FRA	PRESSION DE REMPLISSAGE
ITA	PRESSIONE DI CARICAMENTO
ESP	PRESIÓN DE CARGA
POR	PRESSÃO DE CARGA

**10**

ENG	MAX. RECOMMENDED USE OF THE STROKE
DEU	MAX. EMPFOHLENER ARBEITSHUB
FRA	MAX. UTILISATION DE LA COURSE RECOMMANDÉ
ITA	USO SUGGERITO MASSIMO DELLA CORSA
ESP	MAX. UTILIZACION DE LA CARRERA RECOMENDADA
POR	UTILIZAÇÃO MÁXIMA DE CURSO RECOMENDADO

**4**

ENG	ORDER
DEU	BESTELLUNG
FRA	COMMANDE
ITA	ORDINE
ESP	PEDIDO
POR	PEDIDO

**11**

ENG	MAX. SPEED (METERS/SECOND)
DEU	MAX. KOLBENGESCHWINDIGKEIT (m/s)
FRA	MAX. VITESSE (MÈTRES/SECONDE)
ITA	VELOCITÀ MASSIMA (METRI/SECONDO)
ESP	VELOCIDAD MÁXIMA (METROS/SEGUNDO)
POR	VELOCIDADE MÁXIMA (METROS/SEGUNDO)

**5**

ENG	PED 2014/68/EU - EU DIRECTIVE
DEU	PED 2014/68/EU - EU RICHTLINIE
FRA	PED 2014/68/EU - DIRECTIVE EU
ITA	PED 2014/68/EU - DIRETTIVA EU
ESP	PED 2014/68/EU - DIRECTIVA EU
POR	PED 2014/68/EU - DIRECTIVA EU

**12**

ENG	MIN-MAX. CHARGING PRESSURE
DEU	MIN-MAX. FÜLLDRUCK
FRA	MIN-MAX. PRESSION DE CHARGEMENT
ITA	MIN-MAX. PRESSIONE DI CARICAMENTO
ESP	MIN-MAX. PRESIÓN DE CARGA
POR	MIN-MAX. PRESSÃO DE CARGA

**6**

ENG	INITIAL FORCE PER CHARGE PRESSURE
DEU	ANFANGSKRAFT ABHÄNGIG VOM DRUCK
FRA	FORCE INITIALE PAR PRESSION DE CHARGE
ITA	FORZA INIZIALE PER PRESSIONE DELLA CARICA
ESP	FUERZA INICIAL SEGÚN LA PRESIÓN DE CARGA
POR	FORÇA INICIAL CONFORME A PRESSÃO DE CARGA

**13**

ENG	MIN-MAX. WORKING TEMPERATURE
DEU	MIN.-MAX. ARBEITSTEMPERATUR
FRA	MIN-MAX. TEMPÉRATURE DU TRAVAIL
ITA	MIN-MAX. TEMPERATURA DI FUNZIONAMENTO
ESP	MIN-MAX. TEMPERATURA DE TRABAJO
POR	MIN-MAX. TEMPERATURA DE TRABALHO

**7**

ENG	PRESSURE RISE PER STROKE USED
DEU	HUBABHÄNGIGES DRUCKAUFBAUDIAGRAMM
FRA	AUGMENTATION DE PRESSION PAR COURSE UTILISÉE
ITA	AUMENTO DI PRESSIONE IN FUNZIONE DELLA CORSA
ESP	AUMENTO DE PRESIÓN EN FUNCIÓN DE LA CARRERA
POR	AUMENTO DA PRESSÃO EM FUNÇÃO DO CURSO

**14**

ENG	OPTION PIPING. RECOMMENDED CONTROL PANEL
DEU	VERSCHLAUCHUNG OPTIONAL - KONTROLLARMATUR EMPFOHLEN
FRA	OPTION RACCORDEMENT. PANNEAU RECOMMANDÉ
ITA	OPZIONE COLLEGAMENTO. PANNELLO SUGGERITO
ESP	OPCIÓN CONEXIONADO. PANEL RECOMENDADO
POR	OPÇÃO INTERLIGADO. PAINEL RECOMENDADO

# HOW TO USE THE CATALOGUE



15

[www.azolgas.com](http://www.azolgas.com) Service in Motion [azolgas@azolgas.com](mailto:azolgas@azolgas.com) Tel. +34 945290010 205

## AZOL GAS FD 1500 V2 MOUNTS

Low Profile

<b>MODEL</b>	<b>X</b>	CW 2400 KZ 2400	<b>X</b>	CT 2500 CK 2500 FD 1500	GN 1500 CM 2500 CD 2400	AG 1500	CPH 4300 CP 5000	CS 4700
<b>SERIES</b>	MINI	COMPACT HEIGHT	THREADED	LOW PROFILE	HEAVY DUTY	ISO	HEAVY LOAD	POWER COMPACT STROKE

**16** **A14-075**

**A34-075**

<b>SEAL KIT S-XXXXXXX</b>	<b>CARTRIDGE KIT C-XXXXXXX</b>	<b>A14-075</b>	<b>18 CG 1-Q</b>
<b>CODE</b>	<b>FD 1500 050 V2</b>	<b>KIT S-XXXXXXX</b> <b>KIT C-XXXXXXX</b>	<b>A14-075</b> <b>18 CG 1-Q</b>
<b>ENG ORDER</b>	<b>GAS SPRING</b>	<b>REPAIR KIT</b>	<b>FLANGE</b>
<b>DEU BESTELLUNG</b>	<b>GASDRUCKFEDER</b>	<b>ERSATZTEILSATZ</b>	<b>FLANSCH</b>
<b>FRA COMMANDE</b>	<b>RESSORT À GAZ</b>	<b>KIT DE REPARATION</b>	<b>BRIDE</b>
<b>ITA ORDINE</b>	<b>CILINDRO AD AZOTO</b>	<b>KIT DI MANUTENZIONE</b>	<b>FLANGE</b>
<b>ESP PEDIDO</b>	<b>RESORTE DE GAS</b>	<b>KIT DE REPARACION</b>	<b>BRIDA</b>
<b>POR PEDIDO</b>	<b>CILINDRO DE GAS</b>	<b>KIT DE MANUTENÇÃO</b>	<b>FLANG</b>

16

17

18

19

20

21

# HOW TO USE THE CATALOGUE

**15**

ENG	SERIES CHART
DEU	ÜBERSICHTSTABELLE
FRA	TABLEAU DE SÉRIES
ITA	TABELLA DI SERIE
ESP	COMPARATIVA DE SERIES
POR	COMPARATIVO DAS SÉRIES

**19**

ENG	ORDER REPAIR KIT
DEU	BESTELLUNG DICHTSATZ
FRA	COMMANDE KIT DE RÉPARATION
ITA	ORDINE KIT DI MANUTENZIONE
ESP	PEDIDO KIT DE REPARACIÓN
POR	PEDIDO DE KIT DE MANUTENÇÃO

**16**

ENG	MOUNTS
DEU	FLANSCHEN
FRA	BRIDES
ITA	FLANGE
ESP	BRIDAS
POR	FIXAÇÃO

**20**

ENG	ORDER MOUNT
DEU	BESTELLUNG FLANSCHEN
FRA	COMMANDE BRIDE
ITA	ORDINE FLANGE
ESP	PEDIDO BRIDA
POR	PEDIDO DE FLANGE

**17**

ENG	MOUNTS STANDARDS
DEU	FLANSCHNORMEN
FRA	NORMES DE BRIDES
ITA	STANDARDS DELLE FLANGE
ESP	ESTÁNDARDS DE BRIDAS
POR	PADRÕES DE FLANGES

**21**

ENG	ORDER CHARGING ADAPTER
DEU	BESTELLUNG BEFÜLLADAPTER
FRA	COMMANDE RACCORD DE CHARGE
ITA	ORDINE ADATTATORE DI CARICO
ESP	PEDIDO ADAPTADOR DE CARGA
POR	PEDIDO DE ADAPTADOR DE CARGA

**18**

ENG	ORDER GAS SPRING
DEU	BESTELLUNG GASDRUCKFEDER
FRA	COMMANDE RESSORT À GAZ
ITA	ORDINE CILINDRO AD AZOTO
ESP	PEDIDO CILINDRO DE GAS
POR	PEDIDO DE CILINDRO DE NITROGÉNIO

# MOUNTING GUIDELINES



	ENG ORDER			
	DEU BESTELLUNG	A	14	50
	FRA COMMANDE	A TYPE	14 MODEL	50 Ø
	ITA ORDINE	A 14 050		
	ESP PEDIDO			
	POR PEDIDO			

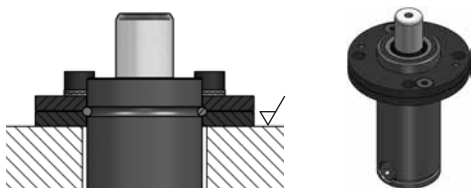
## MOUNT SAFETY GUIDELINES



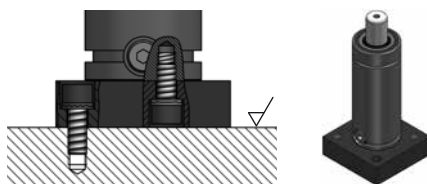
ENG	<ul style="list-style-type: none"> <li>Mount installation is critical to achieve safety working performance of gas springs.</li> <li>Fix the gas spring into the tool through the appropriate mount.</li> <li>Follow the operating instructions about mount assembling and mount installation.</li> <li>Make sure the correct mount installation by regular inspections during the lifetime use.</li> </ul>
DEU	<ul style="list-style-type: none"> <li>Einbausituation ist kritisch, um eine sichere Arbeitsweise der Gasdruckfeder zu gewährleisten.</li> <li>Die Gasdruckfeder ist mit einem angemessenen Flansch am Werkzeug zu befestigen.</li> <li>Den Betriebsanleitungen zum Zusammen- und Einbau der Flansche ist Folge zu leisten.</li> <li>Die korrekte Flanschbefestigung ist während der Gdf-Lebensdauer durch regelmäßige Überprüfungen sicherzustellen.</li> </ul>
FRA	<ul style="list-style-type: none"> <li>L'installation des brides est essentielle pour garantir la sécurité de fonctionnement des ressorts à gaz.</li> <li>Fixez le ressort à gaz dans l'outil par la bride appropriée.</li> <li>Suivez les instructions concernant le montage des brides et l'installation des brides.</li> <li>Assurez-vous que l'installation des brides est correcte par des inspections régulières pendant la durée de vie.</li> </ul>
ITA	<ul style="list-style-type: none"> <li>L'installazione di flange è fondamentale per ottenere prestazioni di lavoro di sicurezza di molle a gas.</li> <li>Fissare i cilindri ad azoto solamente con gli specifici elementi di fissaggio.</li> <li>Seguire le istruzioni per il fissaggio di flange e l'installazione di flange.</li> <li>Assicurarsi che l'installazione di flange è corretta mediante ispezioni regolari durante l'uso.</li> </ul>
ESP	<ul style="list-style-type: none"> <li>La instalación de las bridas es crítica para lograr un funcionamiento de trabajo seguro.</li> <li>Fijar el cilindro de gas al útil mediante las bridas adecuadas.</li> <li>Siga las instrucciones de montaje de las bridas e instalación de las bridas.</li> <li>Asegurarse de la correcta instalación de las bridas mediante inspecciones periódicas durante su uso.</li> </ul>
POR	<ul style="list-style-type: none"> <li>A instalação das montagens é fundamental para garantir a segurança do funcionamento das molas a gás.</li> <li>Fixe o cilindro na ferramenta com a flange adequada.</li> <li>Siga as instruções sobre montagem de flange e instalação de flange.</li> <li>Certifique-se de que a instalação do flange esteja correta por meio de inspeções regulares durante o uso da vida útil.</li> </ul>



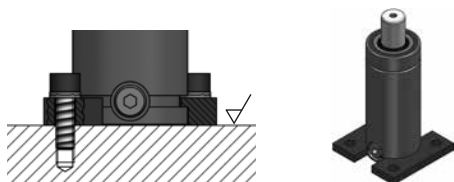
# MOUNTING GUIDELINES

**A**

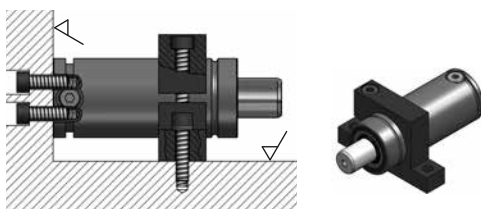
ENG	UPPER ROUND GROOVE FLANGE
DEU	BUNDFLANSCH
FRA	COLLERETTE POUR GORGE RONDE SUPÉRIEURE
ITA	FLANGIA PER SCANALATURA ROTONDA SUPERIORE
ESP	BRIDA PARA CAJERA SUPERIOR REDONDA
POR	FLANGE PARA O SULCO REDONDO SUPERIOR

**B**

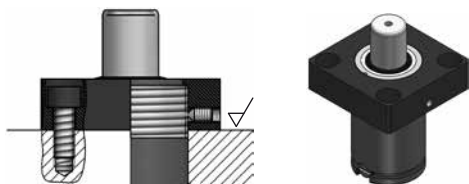
ENG	BOTTOM MOUNT PLATE
DEU	BODENBEFESTIGUNGSPLATTE
FRA	PLAQUE FIXATION INFÉRIEURE
ITA	BASE INFERIORE DI FISSAGGIO
ESP	BASE INFERIOR DE FIJACIÓN
POR	PLACA INFERIOR DA MONTAGEM

**C**

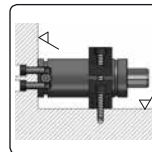
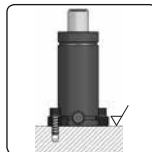
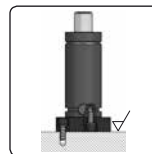
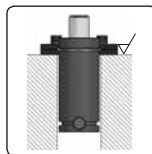
ENG	LOWER SQUARE GROOVE FLANGE
DEU	FUSSFLANSCH
FRA	FLASQUE-BRIDE POUR GORGE CARRÉE INFÉRIEURE
ITA	SEMI-FLANGIA PER SCANALATURA QUADRATA INFERIORE
ESP	BRIDA PARA CAJERA INFERIOR CUADRADA
POR	FLANGE PARA O SULCO QUADRADO INFERIOR

**D**

ENG	SUPPORT MOUNT
DEU	KLEMMFLANSCH
FRA	SUPPORT AVANT
ITA	SUPPORTI ANTERIORI
ESP	BRIDA DE APOYO
POR	FLANGE DE SUSTENTAÇÃO

**E**

ENG	THREADED BODY FLANGE
DEU	KÖRPERGEWINDEFLENSCH
FRA	BRIDE VISSÉE SUR LE CORPS FILETÉ
ITA	FLANGIA FILETTATA PER IL CORPO
ESP	BRIDA ROSCADA SOBRE EL CUERPO
POR	FLANGE ROSQUEADA DO CORPO



- Fix the gas spring through the appropriate mount.
- The bottom should be supported at all the times.
- A flat surface against the base is always required.



[www.azolgas.com](http://www.azolgas.com)

*Service in Motion*

[azolgas@azolgas.com](mailto:azolgas@azolgas.com)

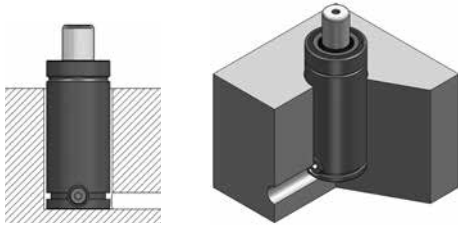
Tel. +34 945290010



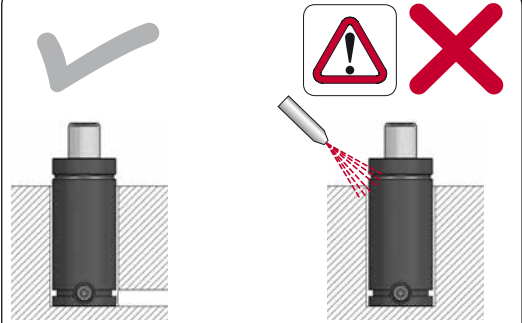


# MOUNTING GUIDELINES

## DROP-IN

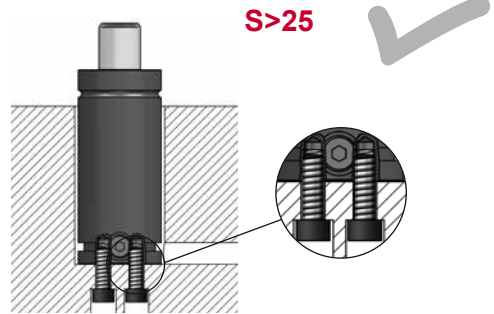
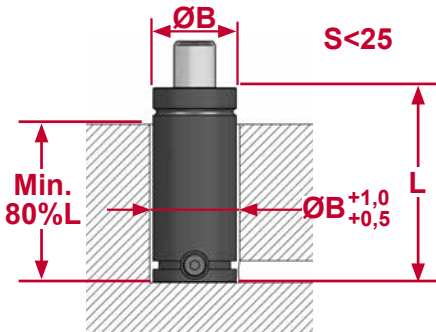


ENG	DROP-IN MOUNTING
DEU	EINBAU IN KAVERNE
FRA	MONTAGE DANS POCHE
ITA	MONTAGGIO NELLA SEDE
ESP	MONTAJE EN CAJERA
POR	FIXAÇÃO NO ALOJAMENTO



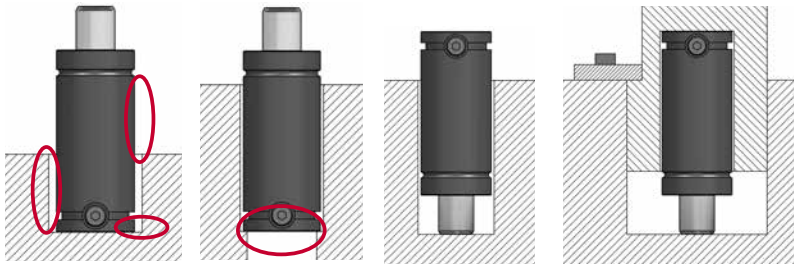
Protect the gas springs from solid or liquid contaminants.

Provide adequate drainage in gas springs pockets.



When the gas springs are installed into a bored pocket, the bored pocket diameter should not exceed 1mm larger than the gas spring body diameter. And the bore pocket depth must be minimum 80% of L.

Screws on the base should be always used for strokes lengths > 25 mm.



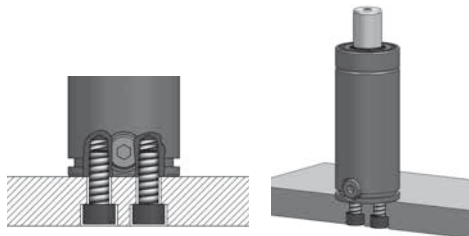
The base should be supported at all the times. A flat surface against the base is always required. Do not mount a gas spring in a pocket upside down.

Inadequate pockets (with higher diameter or shorter length) could cause structural damages and reduce the life expectancy of the gas springs.

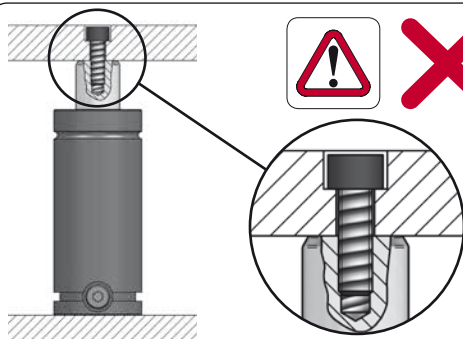
# MOUNTING GUIDELINES



## SCREWS



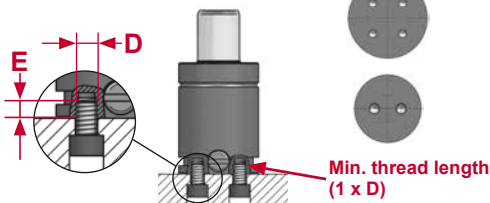
ENG	SCREWS MOUNTING
DEU	BEFESTIGUNG MIT SCHRAUBEN
FRA	MONTAGE AVEC VIS
ITA	MONTAGGIO CON VITI
ESP	MONTAJE CON TORNILLOS
POR	MONTAGEM COM PARAFUSOS



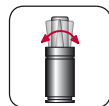
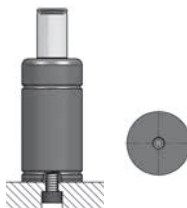
Do not use the piston rod threaded hole for fixing the gas spring into the tool.

This hole is only to be used for maintenance operations.

### Multiple base thread



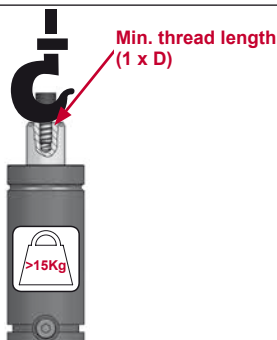
### Single base thread



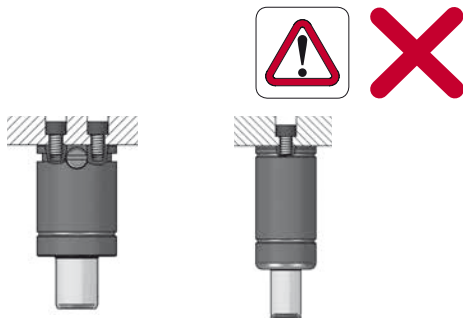
When mounting gas springs directly to the tool by screws it is important to follow the instructions about quality of screws, thread length, safety washers and torque.

Use thread locking if the gas spring base threads length (E) are < thread diameter (D), for example CW series.

Gas springs with only a single base thread should not be mounted by screws.



The rod threaded hole is only to be used for maintenance operations or transport. (Gas springs heavier than 15 kgs are marked according to VDI).



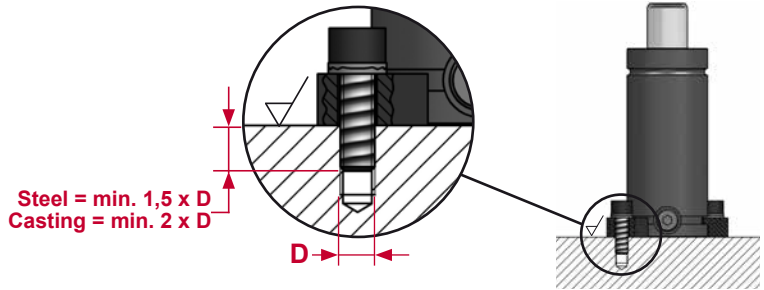
Mounting gas springs directly to the tool by screws it is not recommended when gas springs are upside down.

Special attention is required for gas springs whose base threads length (E) are < thread diameter (D).





## THREAD LENGTH

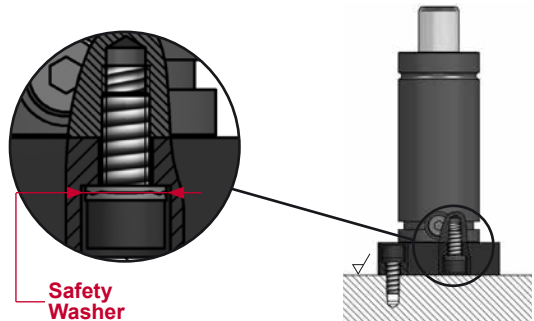


The screws must keep a thread length of:

- thread diameter x1,5 if fixed in steel
- thread diameter x2 if fixed in casting

## WASHERS

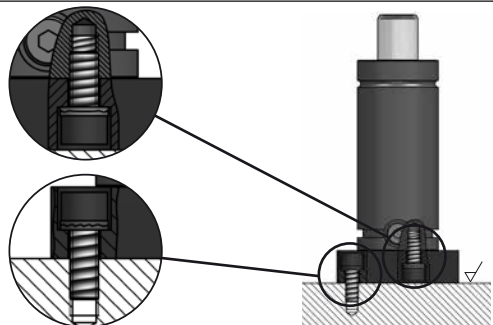
DIN 912 - 12.9	Safety Washer
Thread	Dimensions
M6	Ø10,8 x 1,8
M8	Ø13,5 x 2,5
M10	Ø16,6 x 2,5
M12	Ø19,5 x 2,5
M16	Ø25,4 x 3,4



We recommend using safety washers of the mentioned quality when fixing the fitting screws.  
Screws DIN 912 - 12.9

## SCREWS

DIN 912 - 12.9	Torque
Thread	Nm
M6	15
M8	38
M10	75
M12	128
M16	311

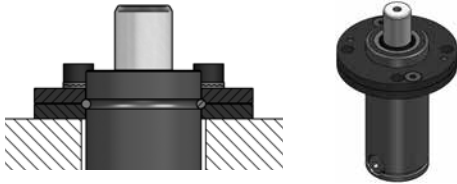


Use screws with the mentioned quality and respect the corresponding torque by using a dynamometric tool.

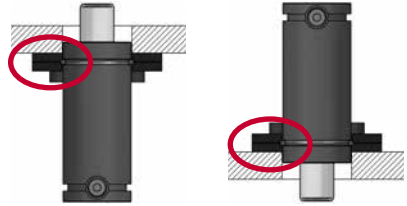
# MOUNTING GUIDELINES



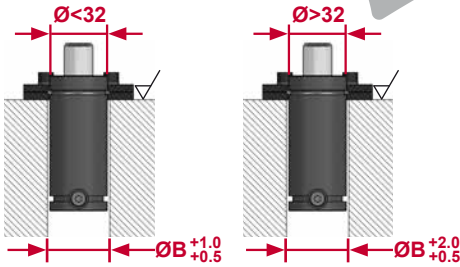
## MOUNT TYPE A



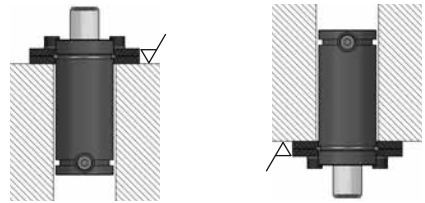
ENG	UPPER ROUND GROOVE FLANGE
DEU	BUNDFLANSCH
FRA	COLLERETTE POUR GORGE RONDE SUPÉRIEURE
ITA	FLANGIA PER SCANALATURA ROTONDA SUPERIORE
ESP	BRIDA PARA CAJERA SUPERIOR REDONDA
POR	FLANGE PARA O SULCO REDONDO SUPERIOR



Do not use mounts type A when the mounting screws have to support the full compression force of the gas spring.



When using mount type A into a bored pocket, the bored pocket diameter (B) should not exceed 1mm larger than the gas spring body diameter 32 mm and not exceed 2 mm larger than gas spring body diameter > 32 mm.



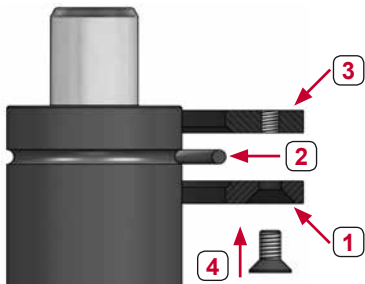
Following the mounting guidelines, mounts type A are intended to be used both vertically right and upside down.



When using CS gas springs series we recommend the base to be supported at all the times, a flat surface against the base is always required.

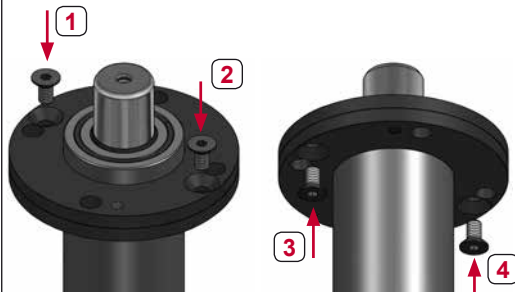


# MOUNTING GUIDELINES



Mount fitting sequence type A:

- STEP 1: insert the inferior part
- STEP 2: place the locking ring
- STEP 3: set the superior part
- STEP 4: fit both parts with screws



When threading the screws follow the steps as shown on the pictures, with a progressive torque on each screw.

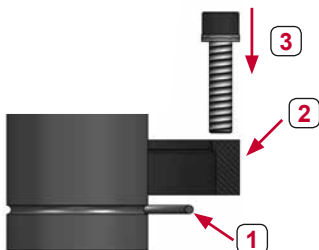
MOUNT / MOUNT		MOUNT / TOOL	
DIN 7991	Torque	DIN 912-12.9	Torque
Thread	Nm	Thread	Nm
M3	1	M6	15
M4	3	M8	38
M5	6	M10	75
M6	10	M12	128
---	---	M16	311

Use screws with the mentioned quality and respect the corresponding torque.



Ø BODY	Gap between parts (h)	
	Minimum	Maximum
≤ Ø45	0,10 mm	0,40 mm
Ø50	0,10 mm	0,55 mm
≥ Ø63	0,20 mm	0,75 mm

Both parts of the mount (superior and inferior) should never contact once assembled, keep always the minimum gap indicated.



MOUNTS "A" INFERIOR GROOVE (CS)
A19-038
A54-050
A54-075
A54-095
A19-120
A19-150



MOUNTS "A" INFERIOR GROOVE (MINI-CW)
A19-019
A19-025

Only to be used for strokes 7-25 mm



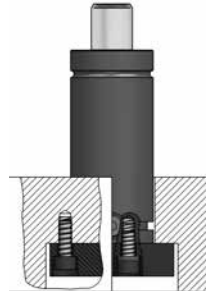
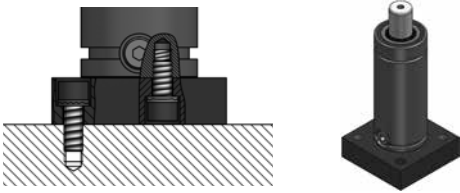
Fitting sequence for mounts type A on inferior groove:

- STEP 1: place the locking ring
- STEP 2: set the mount
- STEP 3: fit both parts with screws

# MOUNTING GUIDELINES

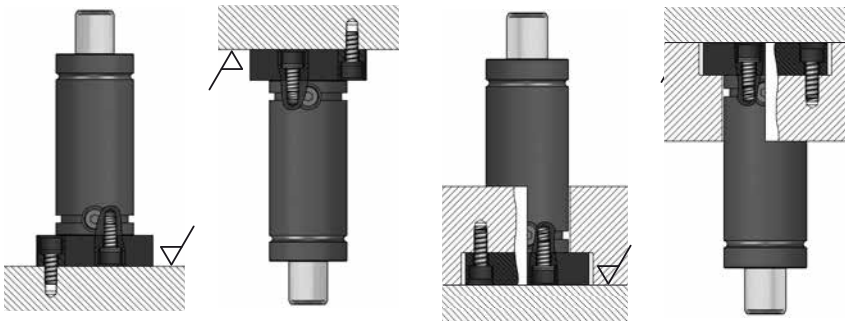


## MOUNT TYPE B

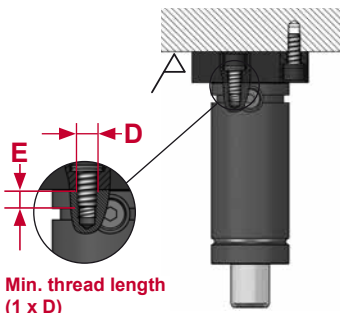


ENG	BOTTOM MOUNT PLATE
DEU	BODENBEFESTIGUNGSPLATTE
FRA	PLAQUE FIXATION INFÉRIEURE
ITA	BASE INFERIORE DI FISSAGGIO
ESP	BASE INFERIOR DE FIJACIÓN
POR	PLACA INFERIOR DA MONTAGEM

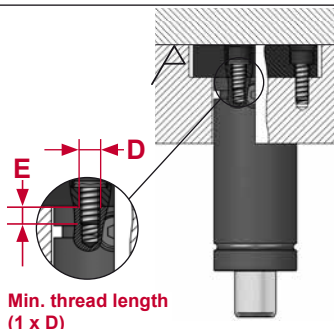
When using mounts type B the base must be supported at all the times to avoid full compression force of the gas spring being transferred through the mounting screws.



Following the mounting guidelines, mounts type B are intended to be used both vertically right and upside down.



Min. thread length  
(1 x D)



Min. thread length  
(1 x D)

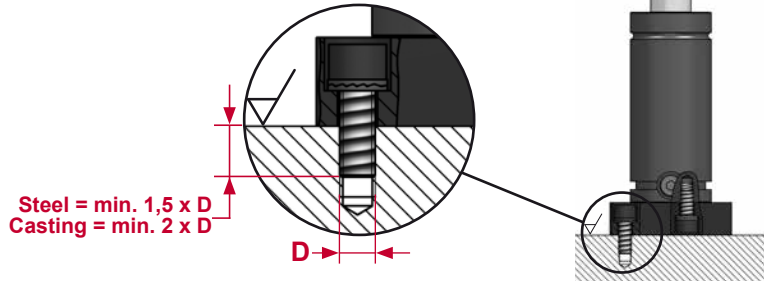


When mounting gas springs upside down by mounts B it is important to follow the instructions about quality of screws, thread length, safety washers and torque.

Use thread locking if the gas spring base threads length (E) are < thread diameter (D), for example CW series.





## THREAD LENGTH

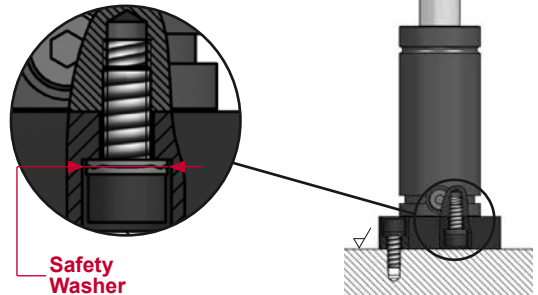


The screws must keep a thread length of:

- thread diameter x1,5 if fixed in steel
- thread diameter x2 if fixed in casting



## WASHERS

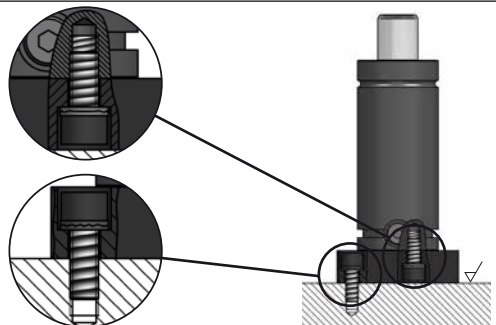
 DIN 912 - 12.9	 Safety Washer
Thread	Dimensions
M6	Ø10,8 x 1,8
M8	Ø13,5 x 2,5
M10	Ø16,6 x 2,5
M12	Ø19,5 x 2,5
M16	Ø25,4 x 3,4



We recommend using safety washers of the mentioned quality when fixing the fitting screws.  
Screws DIN 912 - 12.9

## SCREWS

 DIN 912 - 12.9	 Torque
Thread	Nm
M6	15
M8	38
M10	75
M12	128
M16	311

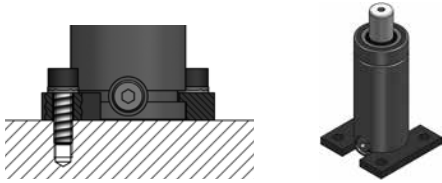


Use screws with the mentioned quality and respect the corresponding torque by using a dynamometric tool.

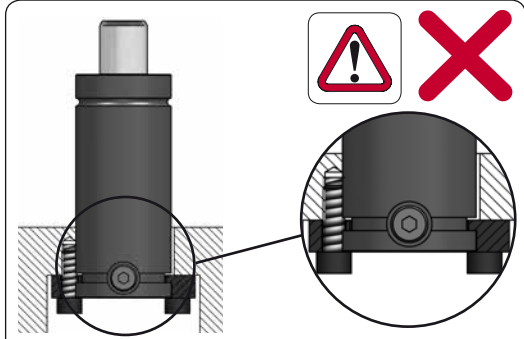
# MOUNTING GUIDELINES



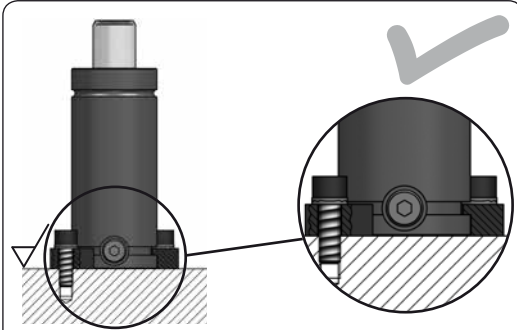
## MOUNT TYPE C



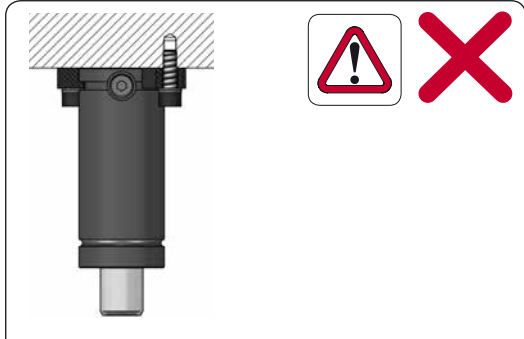
ENG	LOWER SQUARE GROOVE FLANGE
DEU	FUSSFLANSCH
FRA	FLASQUE-BRIDE POUR GORGE CARRÉE INFÉRIEURE
ITA	SEMI-FLANGIA PER SCANALATURA QUADRATA INFERIORE
ESP	BRIDA PARA CAJERA INFERIOR CUADRADA
POR	FLANGE PARA O SULCO QUADRADO INFERIOR



When using mounts type C the base must be supported at all the times to avoid full compression force of the gas spring being transferred through the mounting screws.

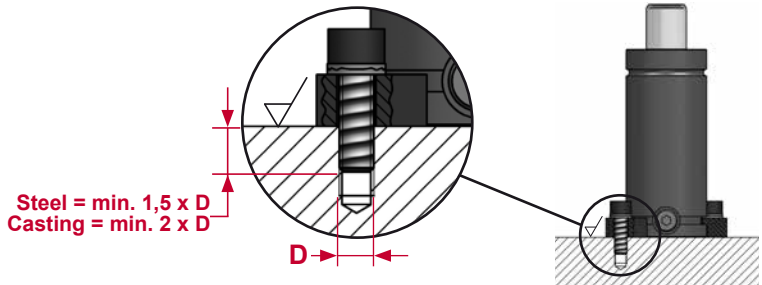


Following the mounting guidelines, mounts type C are intended to be used vertically right.



Mounting gas springs by using mount type C it is not recommended when gas springs are upside down.

## THREAD LENGTH

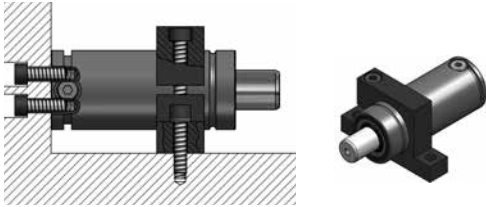


The screws must keep a thread length of:  
 -thread diameter x1,5 if fixed in steel  
 -thread diameter x2 if fixed in casting

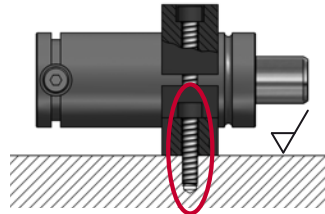


# MOUNTING GUIDELINES

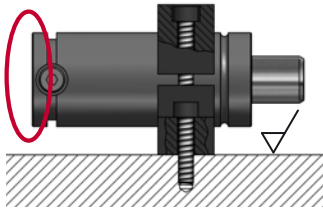
## MOUNT TYPE D



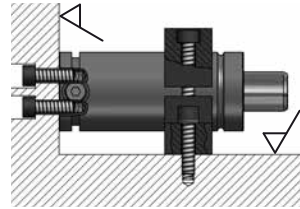
ENG	SUPPORT MOUNT
DEU	KLEMMFLANSCH
FRA	SUPPORT AVANT
ITA	SUPPORTI ANTERIORI
ESP	BRIDA DE APOYO
POR	FLANGE DE SUSTENTAÇÃO



Do not use mounts type D when the mounting screws have to support the full compression force of the gas spring.

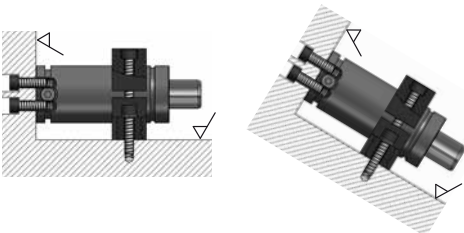


The base should be supported at all the times. A flat surface against the base is always required.

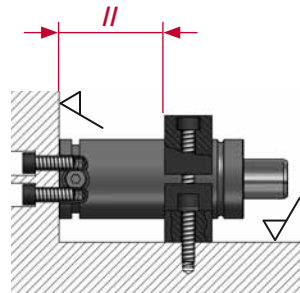


Example of correct mounting type D.

Use always screws on the base to fix the gas spring.



Following the mounting guidelines, mounts type D are intended to be used both vertically right and upside down.


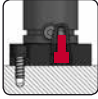
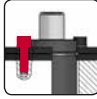


Make sure the gas spring fits parallel to mounting surface to minimize the impact of sideloads.

# MOUNTING GUIDELINES



## MOUNT TYPE A


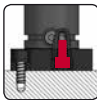
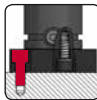






	 MOUNT / MOUNT		 MOUNT / GAS SPRING		 MOUNT / TOOL	
	MOUNT	THREAD	TORQUE(Nm)	THREAD	TORQUE(Nm)	THREAD
A14-012	M5 (x2)	6	---	---	M6 (x2)	15
A59-012	M3 (x4)	1	---	---	M6 (x2)	15
A14-015	M4 (x2)	3	---	---	M6 (x2)	15
A49-015	M3 (x4)	1	---	---	M6 (x2)	15
A14-019	M5 (x2)	6	---	---	M6 (x2)	15
A44-019	---	---	---	---	M6 (x4)	15
A49-019	M3 (x4)	1	---	---	M6 (x2)	15
A14-020	M5 (x2)	6	---	---	M6 (x2)	15
A14-025	M5 (x2)	6	---	---	M6 (x4)	15
A44-025	M5 (x2)	6	---	---	M6 (x4)	15
A49-025	M5 (x4)	6	---	---	M6 (x2)	15
A14-032	M5 (x4)	6	---	---	M6 (x4)	15
A34-032	M3 (x4)	1	---	---	M6 (x4)	15
A44-032	M5 (x2)	6	---	---	M6 (x4)	15
A14-038	M5 (x4)	6	---	---	M6 (x4)	15
A19-038	---	---	---	---	M6 (x4)	15
A34-038	M4 (x4)	3	---	---	M6 (x4)	15
A14-045	M6 (x4)	10	---	---	M8 (x4)	38
A34-045	M5 (x4)	6	---	---	M8 (x4)	38
A69-045	M5 (x4)	6	---	---	M8 (x4)	38
A74-045	M6 (x4)	10	---	---	M8 (x4)	38
A14-050	M6 (x4)	10	---	---	M8 (x4)	38
A34-050	M5 (x4)	6	---	---	M8 (x4)	38
A49-050	M6 (x4)	10	---	---	M8 (x4)	38
A54-050	---	---	---	---	M8 (x4)	38
A59-050	M5 (x4)	6	---	---	M8 (x4)	38
AX9-050	---	---	---	---	M8 (x4)	38
AY4-050	M6 (x2)	10	---	---	M10 (x4)	75
A14-063	M6 (x4)	10	---	---	M10 (x4)	75
A39-063	M6 (x4)	10	---	---	M10 (x4)	75
A69-063	M5 (x4)	6	---	---	M10 (x4)	75
AY4-063	M6 (x2)	10	---	---	M10 (x4)	75
A14-075	M6 (x4)	10	---	---	M10 (x4)	75
A34-075	M6 (x4)	10	---	---	M10 (x4)	75
A49-075	M6 (x4)	10	---	---	M10 (x4)	75
A54-075	---	---	---	---	M10 (x4)	75
A59-075	M6 (x4)	10	---	---	M10 (x4)	75
AX9-075	---	---	---	---	M10 (x4)	75
AY4-075	M6 (x2)	10	---	---	M12 (x4)	128
A14-095	M6 (x4)	10	---	---	M12 (x4)	128
A34-095	M6 (x4)	10	---	---	M12 (x4)	128
A49-095	M6 (x4)	10	---	---	M12 (x4)	128
A54-095	---	---	---	---	M12 (x4)	128
A59-095	M6 (x4)	10	---	---	M12 (x4)	128
AX9-095	---	---	---	---	M12 (x4)	128
AY4-095	M6 (x2)	10	---	---	M12 (x4)	128
A14-105	M6 (x4)	10	---	---	M12 (x4)	128
A14-120	M6 (x4)	10	---	---	M12 (x4)	128
A34-120	M6 (x4)	10	---	---	M12 (x4)	128
AY4-120	M6 (x2)	10	---	---	M12 (x4)	128
A14-150	M6 (x4)	10	---	---	M16 (x4)	311
A34-150	M6 (x4)	10	---	---	M16 (x4)	311
AY4-150	M6 (x2)	10	---	---	M16 (x4)	311
A14-195	M6 (x4)	10	---	---	M16 (x4)	311
A34-195	M6 (x4)	10	---	---	M16 (x4)	311





# MOUNTING GUIDELINES


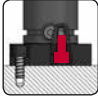
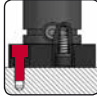






## MOUNT TYPE B

	 MOUNT / MOUNT		 MOUNT / GAS SPRING		 MOUNT / TOOL	
						
MOUNT	THREAD	TORQUE(Nm)	THREAD	TORQUE(Nm)	THREAD	TORQUE(Nm)
B76-038	---	---	M6 (x2)	15	M6 (x4)	15
B21-045	---	---	M8 (x2)	38	M8 (x4)	38
B36-045	---	---	M8 (x2)	38	M8 (x4)	38
B41-045	---	---	M8 (x2)	38	M8 (x4)	38
B43-045	---	---	M8 (x2)	38	M8 (x2)	38
B51-045	---	---	M8 (x2)	38	M10 (x4)	75
B76-045	---	---	M8 (x2)	38	M8 (x4)	38
B21-050	---	---	M8 (x2)	38	M8 (x4)	38
B33-050	---	---	M10 (x2)	75	M12 (x2)	128
B36-050	---	---	M8 (x2)	38	M8 (x4)	38
B41-050	---	---	M8 (x2)	38	M8 (x4)	38
B43-050	---	---	M8 (x2)	38	M12 (x2)	128
B51-050	---	---	M8 (x2)	38	M10 (x4)	75
B56-050	---	---	M10 (x2)	75	M10 (x4)	75
B61-050	---	---	M10 (x2)	75	M12 (x2)	128
B71-050	---	---	M10 (x2)	75	M12 (x2)	128
B76-050	---	---	M8 (x2)	38	M8 (x4)	38
B91-050	---	---	M10 (x2)	75	M10 (x4)	75
B21-063	---	---	M8 (x2)	38	M8 (x4)	38
B36-063	---	---	M8 (x2)	38	M8 (x4)	38
B41-063	---	---	M8 (x2)	38	M8 (x4)	38
B76-063	---	---	M8 (x2)	38	M8 (x4)	38
B21-075	---	---	M8 (x4)	38	M10 (x4)	75
B28-075	---	---	M8 (x4)	38	M12 (x4)	128
B33-075	---	---	M12 (x4)	128	M12 (x2)	128
B36-075	---	---	M8 (x4)	38	M10 (x4)	75
B41-075	---	---	M8 (x4)	38	M10 (x4)	75
B43-075	---	---	M8 (x4)	38	M12 (x2)	128
B56-075	---	---	M12 (x4)	128	M12 (x4)	128
B61-075	---	---	M12 (x4)	128	M12 (x4)	128
B66-075	---	---	M12 (x4)	128	M12 (x4)	128
B71-075	---	---	M12 (x4)	128	M12 (x4)	128
B76-075	---	---	M8 (x4)	38	M10 (x4)	75
B88-075	---	---	M12 (x8)	128	M12 (x6)	128
B91-075	---	---	M12 (x4)	128	M12 (x4)	128
B93-075	---	---	M12 (x8)	128	M12 (x6)	128
B16-095	---	---	M8 (x4)	38	M12 (x4)	128
B21-095	---	---	M8 (x4)	38	M12 (x4)	128
B33-095	---	---	M12 (x4)	128	M12 (x2)	128
B36-095	---	---	M8 (x4)	38	M12 (x4)	128
B41-095	---	---	M8 (x4)	38	M12 (x4)	128
B43-095	---	---	M8 (x4)	38	M12 (x2)	128
B56-095	---	---	M12 (x4)	128	M12 (x4)	128
B61-095	---	---	M12 (x4)	128	M12 (x4)	128
B66-095	---	---	M12 (x4)	128	M12 (x4)	128
B71-095	---	---	M12 (x4)	128	M12 (x4)	128
B76-095	---	---	M8 (x4)	38	M12 (x4)	128
B88-095	---	---	M12 (x8)	128	M12 (x6)	128
B91-095	---	---	M12 (x4)	128	M16 (x4)	311
B93-095	---	---	M12 (x8)	128	M12 (x6)	128
B36-105	---	---	M8 (x4)	38	M12 (x4)	128
B41-105	---	---	M8 (x4)	38	M12 (x4)	128
B16-120	---	---	M10 (x4)	75	M12 (x4)	128
B21-120	---	---	M10 (x4)	75	M12 (x4)	128
B33-120	---	---	M12 (x4)	128	M12 (x2)	128

# MOUNTING GUIDELINES


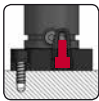
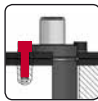


## MOUNT TYPE B

	 MOUNT / MOUNT		 MOUNT / GAS SPRING		 MOUNT / TOOL	
						
MOUNT	THREAD	TORQUE(Nm)	THREAD	TORQUE(Nm)	THREAD	TORQUE(Nm)
B36-120	---	---	M10 (x4)	75	M12 (x4)	128
B41-120	---	---	M10 (x4)	75	M12 (x4)	128
B43-120	---	---	M10 (x4)	75	M12 (x2)	128
B56-120	---	---	M12 (x4)	128	M16 (x4)	311
B61-120	---	---	M12 (x4)	128	M16 (x4)	311
B66-120	---	---	M12 (x4)	128	M16 (x4)	311
B71-120	---	---	M12 (x4)	128	M16 (x4)	311
B76-120	---	---	M10 (x4)	75	M12 (x4)	128
B88-120	---	---	M12 (x8)	128	M16 (x6)	311
B93-120	---	---	M12 (x8)	128	M16 (x6)	311
B16-150	---	---	M10 (x4)	75	M16 (x4)	311
B21-150	---	---	M10 (x4)	75	M16 (x4)	311
B36-150	---	---	M10 (x4)	75	M16 (x4)	311
B41-150	---	---	M10 (x4)	75	M16 (x4)	311
B56-150	---	---	M12 (x4)	128	M16 (x4)	311
B61-150	---	---	M12 (x4)	128	M16 (x4)	311
B66-150	---	---	M12 (x4)	128	M16 (x4)	311
B71-150	---	---	M12 (x4)	128	M16 (x4)	311
B76-150	---	---	M10 (x4)	75	M16 (x4)	311
B88-150	---	---	M12 (x8)	128	M16 (x6)	311
B93-150	---	---	M12 (x8)	128	M16 (x6)	311
B21-195	---	---	M12 (x4)	128	M16 (x4)	311
B36-195	---	---	M12 (x4)	128	M16 (x4)	311
B41-195	---	---	M12 (x4)	128	M16 (x4)	311
B76-195	---	---	M12 (x4)	128	M16 (x4)	311





## MOUNT TYPE C



	 MOUNT / MOUNT		 MOUNT / GAS SPRING		 MOUNT / TOOL	
MOUNT	THREAD	TORQUE(Nm)	THREAD	TORQUE(Nm)	THREAD	TORQUE(Nm)
C15-020	---	---	---	---	M6 (x4)	15
C05-032	---	---	---	---	M6 (x4)	15
C20-032	---	---	---	---	M6 (x4)	15
C05-038	---	---	---	---	M6 (x4)	15
C20-038	---	---	---	---	M6 (x4)	15
C05-045	---	---	---	---	M8 (x4)	38
C20-045	---	---	---	---	M8 (x4)	38
C05-050	---	---	---	---	M8 (x4)	38
C20-050	---	---	---	---	M8 (x4)	38
C35-050	---	---	---	---	M8 (x4)	38
C50-050	---	---	---	---	M8 (x4)	38
CY0-050	---	---	---	---	M10 (x4)	75
C05-063	---	---	---	---	M10 (x4)	75
C30-063	---	---	---	---	M10 (x4)	75
C35-063	---	---	---	---	M10 (x4)	75
C05-075	---	---	---	---	M10 (x4)	75
C20-075	---	---	---	---	M10 (x4)	75
CY0-075	---	---	---	---	M12 (x4)	128
C05-095	---	---	---	---	M12 (x4)	128
C20-095	---	---	---	---	M12 (x4)	128
CY0-095	---	---	---	---	M12 (x4)	128
C05-120	---	---	---	---	M12 (x4)	128
C20-120	---	---	---	---	M12 (x4)	128
CY0-120	---	---	---	---	M12 (x4)	128
C05-150	---	---	---	---	M16 (x4)	311
C20-150	---	---	---	---	M16 (x4)	311
C05-195	---	---	---	---	M16 (x4)	311
C20-195	---	---	---	---	M16 (x4)	311

## MOUNT TYPE D

D02-025	---	---	---	---	M8 (x4)	38
D02-032	M8 (x1)	38	---	---	M8 (x2)	38
D67-032	---	---	---	---	M8 (x2)	38
D02-038	M8 (x1)	38	---	---	M8 (x2)	38
D67-038	---	---	---	---	M8 (x2)	38
D02-045	M8 (x1)	38	---	---	M8 (x2)	38
D67-045	---	---	---	---	M8 (x2)	38
D02-050	M8 (x1)	38	---	---	M8 (x2)	38
D47-050	---	---	M10 (x1)	75	M10 (x4)	75
D67-050	---	---	---	---	M10 (x2)	75
D02-063	M10 (x1)	75	---	---	M10 (x2)	75
D67-063	---	---	---	---	M10 (x2)	75
D02-075	M10 (x1)	75	---	---	M10 (x2)	75
D47-075	---	---	M12 (x2)	128	M12 (x4)	128
D67-075	---	---	---	---	M12 (x2)	128
D02-095	M12 (x1)	128	---	---	M12 (x2)	128
D67-095	---	---	---	---	M12 (x2)	128
D02-120	M12 (x1)	128	---	---	M12 (x2)	128
D67-120	---	---	---	---	M12 (x2)	128
D02-150	M12 (x1)	128	---	---	M12 (x2)	128
D67-150	---	---	---	---	M12 (x2)	128
D02-195	M12 (x1)	128	---	---	M12 (x2)	128


# COLOR CODE: MINI GAS SPRINGS

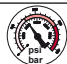

AFB V2	COLOR				
		bar	psi	daN	daN
AFB 13 050 V2	Green	45	650	13	20
AFB 25 050 V2	Blue	90	1305	25	40
AFB 38 050 V2	Red	135	1960	38	60
AFB 50 050 V2	Yellow	180	2610	50	80
AFB XX 050 V2	Black	20-180	290-2610	6 - 50	9 - 80


AFH V1	COLOR				
		bar	psi	daN	daN
AFH 18 050 V1	Green	35	510	18	35
AFH 35 050 V1	Blue	70	1015	35	70
AFH 50 050 V1	Red	100	1450	50	100
AFH 70 050 V1	Yellow	140	2030	70	140
AFH XX 050 V1	Black	20-180	290-2610	10 - 90	20 - 180


AFJ V1	COLOR				
		bar	psi	daN	daN
AFJ 30 050 V1	Green	60	870	30	40
AFJ 50 050 V1	Blue	100	1450	50	70
AFJ 70 050 V1	Red	140	2030	70	95
AFJ 90 050 V1	Yellow	180	2610	90	120
AFJ XX 050 V1	Black	20-180	290-2610	10 - 90	13 - 120

AFK V1	COLOR				
		bar	psi	daN	daN
AFK 25 050 V1	Green	40	580	25	35
AFK 50 050 V1	Blue	80	1160	50	70
AFK 75 050 V1	Red	120	1740	75	105
AFK 100 050 V1	Yellow	160	2320	100	140
AFK XXX 050 V1	Black	20-160	290-2320	13 - 100	18 - 140

AFD V1	COLOR				
		bar	psi	daN	daN
AFD 50 050 V1	Green	45	650	50	70
AFD 100 050 V1	Blue	90	1305	100	140
AFD 150 050 V1	Red	135	1960	150	210
AFD 200 050 V1	Yellow	180	2610	200	280
AFD XXX 050 V1	Black	20-180	290-2610	23 - 200	32 - 280

AFC	COLOR				
		bar	psi	daN	daN
AFC 50 050	Green	45	650	50	75
AFC 100 050	Blue	90	1305	100	155
AFC 150 050	Red	135	1960	150	230
AFC 200 050	Yellow	180	2610	200	305
AFC XXX 050	Black	20-180	290-2610	23 - 200	35 - 305

AFNA	COLOR				
		bar	psi	daN	daN
AFNA 50 050	Green	45	650	50	75
AFNA 100 050	Blue	90	1305	100	155
AFNA 150 050	Red	135	1960	150	230
AFNA 200 050	Yellow	180	2610	200	305
AFNA XXX 050	Black	20-180	290-2610	23 - 200	35 - 305

AF V1	COLOR				
		bar	psi	daN	daN
AF 50 050 V1	Green	45	650	50	70
AF 100 050 V1	Blue	90	1305	100	135
AF 150 050 V1	Red	135	1960	150	205
AF 200 050 V1	Yellow	180	2610	200	270
AF XXX 050 V1	Black	20-180	290-2610	23 - 200	30 - 270

AFT V1	COLOR				
		bar	psi	daN	daN
AFT 80 050 V1	Green	40	580	80	135
AFT 160 050 V1	Blue	80	1160	160	265
AFT 240 050 V1	Red	120	1740	240	400
AFT 310 050 V1	Yellow	155	2450	310	515
AFT XXX 050 V1	Black	20-180	290-2610	40 - 360	65 - 600

- Adaptable version that can be charged between Pmin and Pmax.
- Anpassbare Version, die mit verschiedenen Drücken zwischen Pmin und Pmax befüllt werden kann.
- Version adaptable pouvant être chargée entre Pmin et Pmax.
- Versione adattabile che può essere caricata tra Pmin e Pmax.
- Versión adaptable que puede ser cargada entre Pmin y Pmax.
- Versão personalizável que pode ser carregada entre Pmin e Pmax.



# COLOR CODE: MINI GAS SPRINGS

## ORDER EXAMPLE

2 www.azolgas.com Service in Motion azolgas@azolgas.com Tel. +34 945290010

### AFB V2

CODE	S (mm)	L1 (mm)	L (mm)	KG	MPa
AFB 007 V2	7	56	49	0.03	
AFB 010 V2	10	62	55	0.03	
AFB 012 V2	12.7	67.4	60.7	0.03	
AFB 015 V2	15	72	67	0.04	
AFB 018 V2	18	80	71	0.04	
AFB 025 V2	25	92	81	0.04	
AFB 035 V2	38	118	80	0.05	
AFB 050 V2	50	152	92	0.06	
AFB 063 V2	63.5	172	108.5	0.06	
AFB 075 V2	75	195	120	0.07	
AFB 080 V2	80	205	125	0.07	

CODE	COLOR	bar	psi	F <sub>0</sub> daN	F <sub>1</sub> daN
AFB 13 050 V2	Green	45	650	13	20
AFB 25 050 V2	Blue	90	1305	25	40
AFB 38 050 V2	Red	135	1960	38	60
AFB 50 050 V2	Yellow	180	2610	50	80
AFB XX 050 V2	Black	20-180	290-2610	6 - 50	9 - 80

ENG ORDER DEU BESTELLUNG FRA COMMANDE ITA ORDINE ESP PEDIDO POR PEDIDO

AFB 50 50

AFB 50 050 V2 (YELLOW)

AFB 6 - 50 50

AFB XX 050 V2 (BLACK)

Max S/min

bar psi bar psi °C °F °C °F

20 290 180 2610 0 32 80 176

AFB V2	COLOR	bar	psi	F <sub>0</sub> daN	F <sub>1</sub> daN
AFB 13 050 V2	Green	45	650	13	20
AFB 25 050 V2	Blue	90	1305	25	40
AFB 38 050 V2	Red	135	1960	38	60
AFB 50 050 V2	Yellow	180	2610	50	80
AFB XX 050 V2	Black	20-180	290-2610	6 - 50	9 - 80

ENG ORDER DEU BESTELLUNG FRA COMMANDE ITA ORDINE ESP PEDIDO POR PEDIDO

AFB 50 50

AFB 50 050 V2 (YELLOW)

AFB 6 - 50 50

AFB XX 050 V2 (BLACK)

**BLACK:** Force to be specified by the customer. Delivered pre-charged at 20 bar.

## BODY MARK

WARNING! - HIGH PRESSURE Exhaust gas before servicing. ACHTUNG! - HOHER DRUCK Nicht öffnen wenn unter Druck. ATTENTION! - HAUTE PRESSION Décharger avant toute manipulation. ATENZIONE! - ALTA PRESSION Scaricare prima di ogni manipolazione.

www.azolgas.com

NC.051.00.00000.050.2  
AFB 050 V2  
215025247 NOT REPAIR

97/23CE art.3.3 Made in Spain (EU)  
PMAX 180 bar/2610 psi N2 at 20°C  
TS 0 / 80° C PS 0 / 373 bar  
www.azolgas.com

AFB 38 50

AFB 38 050 V2

AFB V2	COLOR	bar	psi	F <sub>0</sub> daN	F <sub>1</sub> daN
AFB 13 050 V2	Green	45	650	13	20
AFB 25 050 V2	Blue	90	1305	25	40
AFB 38 050 V2	Red	135	1960	38	60
AFB 50 050 V2	Yellow	180	2610	50	80
AFB XX 050 V2	Black	20-180	290-2610	6 - 50	9 - 80

ENG ORDER DEU BESTELLUNG FRA COMMANDE ITA ORDINE ESP PEDIDO POR PEDIDO

AFB 38 50

AFB 38 050 V2

MINI gas springs series the force is defined by colored label.

MINI gas springs series only the model and stroke are engraved on the body (not the force).

# SELF-CONTAINED AND HOSED



## NOT TO BE HOSED

## TO BE HOSED

Most of gas springs can be used as holed, but some of them cannot be holed.

On each catalogue sheet (lower right side) can be checked if gas springs are able to be used as holed (e.g. 600-CP) or not (e.g. X).

## TO BE HOSED

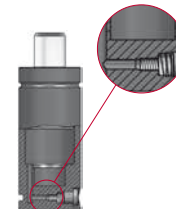
### FOR SELF-CONTAINED USE

**AG 750 050**



### FOR HOLED USE



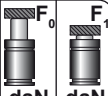

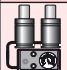
**AG-H 750 050**

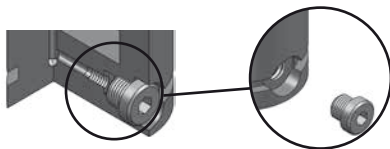
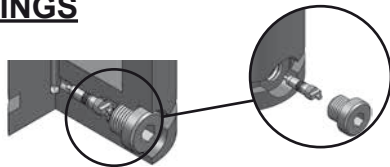



The gas springs able to be holed may be ordered as self-contained use (if nothing is specified) or as holed use (just by adding -H to the gas spring standard model).


- for a self-contained use (when nothing is specified) are supplied charged to the initial pressure.
- for a holed use (when -H is added to standard model) are supplied discharged and without the filling valve.

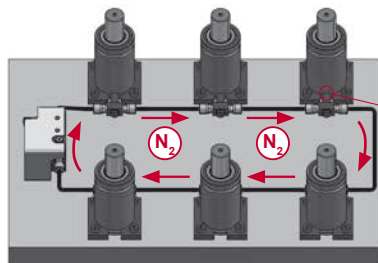
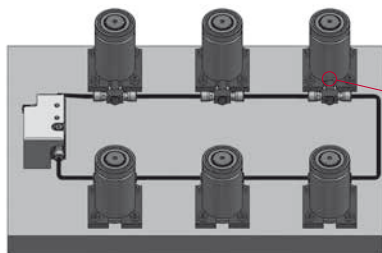
## SELF-CONTAINED OR HOSED GAS SPRINGS

CODE					
		bar	psi	daN	daN
AG 750 050		150	2175	740	1100
AG-H 750 050		0	0	---	---



	ENG	Self-contained gas spring	Gas spring delivered charged (with filling valve)
	DEU	Autonome Gasdruckfeder	Befüllte Gasdruckfeder (mit Ventil)
	FRA	Ressort à gaz autonome	Ressort à gaz fourni chargé (avec valve de charge)
	ITA	Cilindro ad azoto autonomo	Cilindro fornito carico (con valvola di carico)
	ESP	Cilindro de gas autónomo	Cilindro de gas suministrado cargado (con válvula de carga)
POR	Cilindro de gas autónomo	Cilindro de gás fornecido carregado (com válvula de carga)	

	ENG	Ready to be holed	Gas spring delivered unfilled (without filling valve)
	DEU	Fertig zum Verschlauchen	Drucklose Gasdruckfeder (ohne Ventil)
	FRA	Prêt à être relié	Ressort à gaz fourni non chargé (sans valve de charge)
	ITA	Pronto per essere collegato	Cilindro fornito scarico (senza valvola di carico)
	ESP	Preparado para conexión	Cilindro de gas suministrado descargado (sin válvula de carga)
POR	Pronto a ser interligado	Cilindro de gás fornecido descarregado (sem válvula de carga)	



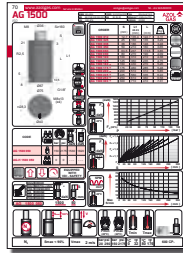
When the pressure pushes the filling valve it opens and let the flow of gas, but when there is no pressure pushing the filling valve, it keep closed and do not allow the exit of gas.

Warning: if the filling valve is installed into the gas springs, the gas springs are not linked each other into a circuit and cannot be charged through the control panel, it is necessary to remove the filling valve from the gas springs in order to keep N2 pressure through the circuit.



## GAS SPRINGS EQUIPPED WITH VDI-SAFETY

MODEL	SAFETY-VDI			
AFJ V1				
AFC				
AG 150				
AG 250				
AG 500				
AG 750				
AG 1500				
AG 3000				
AG 5000				
AG 7500				
AG 10000				
CD 300 V1				
CD 500 V1				
CD 700				
CD 1000 V1				
CD 1500 V2				
CD 2400				
CD 4200				
CD 6600				
CD 9600				
CD 18500				
CW 170 V1				
CW 320 V1				
CW 350 V1				
CW 500 V1				
CW 750 V1				
CW 1000 V2				
CW 1500				
CW 2400 V1				
CW 4200 V1				
CW 6600				
CW 9500				
CW 11800				
CW 20000				



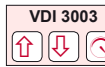
Over-Speed safety



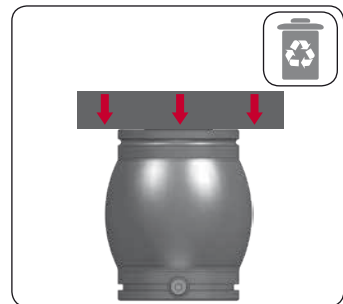
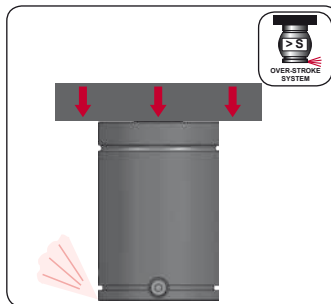
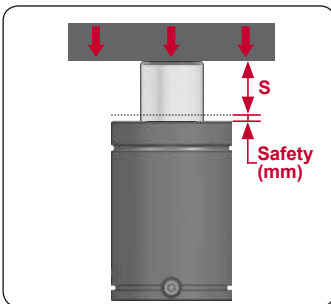
Over-Stroke safety



Over-Pressure safety



**WARNING! EQUIPPED WITH VDI-SAFETY**  
CAUTION: EXCEEDING NOMINAL STROKE WILL DISCHARGE GAS SPRING



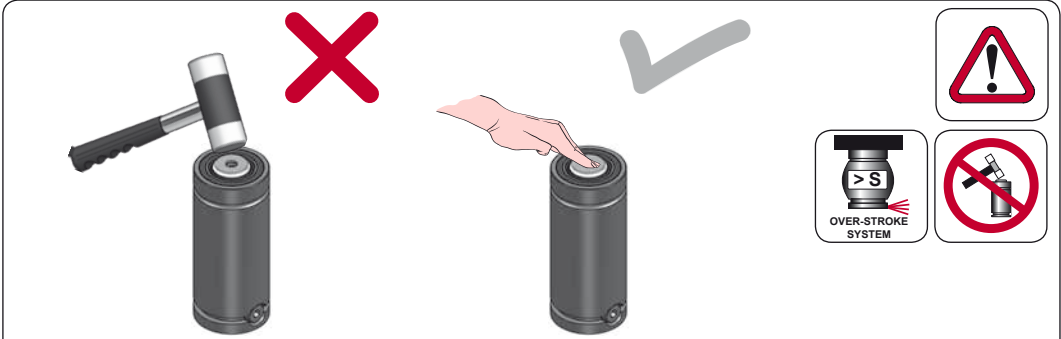
In the event of exceeding the maximum allowable stroke, over-stroke safety system prevents projection of parts under pressure and discharge the pressure completely in a controlled way. Over-stroke safety system enables the use of 100% of total nominal stroke (S).

Check if exceeded the maximum allowed stroke.

Once activated, the over-stroke safety system prevents the reuse or refill of gas spring.

Remove the gas spring.

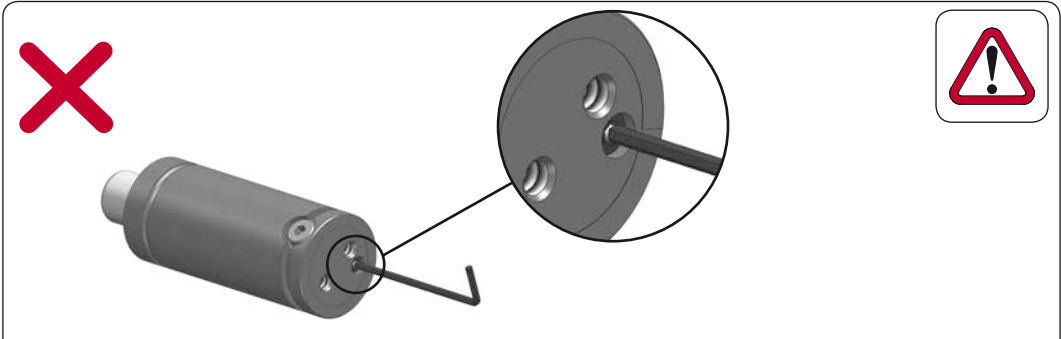




**WARNING IN REPAIR OPERATIONS:**

Once the gas spring is fully discharged, push down the piston rod by hand, never using a tool.

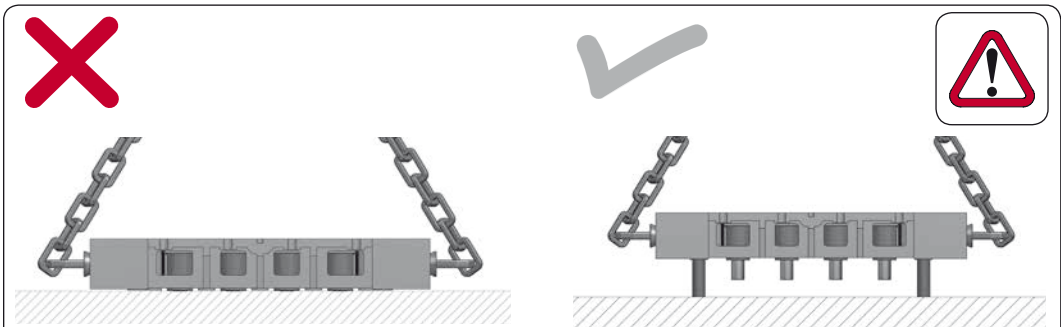
In some gas springs series, should the piston rod is pushed down over the nominal stroke (S) the over-stroke safety device would be activated.



**WARNING IN GAS SPRING MANIPULATION:**

Over-stroke safety is protected to prevent its manipulation.

Do not manipulate over-stroke safety, manipulating over-stroke safety can result in high safety risk, failure of gas spring and personal injury.



**WARNING IN TOOL MAINTENANCE:**

When handling the tool do not support the weight of the tool over the gas springs, if so the gas spring over-stroke safety will be activated.

# REPAIR KIT



**KIT C-XXXXXXX**

**KIT S-XXXXXXX**

The Repair KIT includes the seals, the lubricating oil and the operating instructions.

Example of Repair KIT (only seals): KIT S-05JC000

Example of Repair KIT (cartridge): KIT C-05JC000

## SEAL KIT

**KIT S-XXXXXXX**

- 1
- 2
- 3
- 4
- 5
- 6
- 7

Part	Description	Quantity
1	Wiper	1
2	Guide	1
3	O.Ring Protector	1
4	O.ring	1
5	Gasket Protector	1
6	Gasket	1
7	Filling valve	1
	Oil bottle	1
	Operating instructions	1

## CARTRIDGE KIT

**KIT C-XXXXXXX**

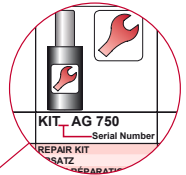
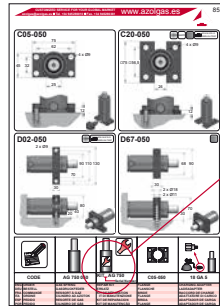
- 1
- 2

Part	Description	Quantity
1	Cartridge	1
2	Filling valve	1
	Oil bottle	1
	Operating instructions	1



# REPAIR KIT

## HOW TO ORDER KIT REPAIR (OLD VERSION)

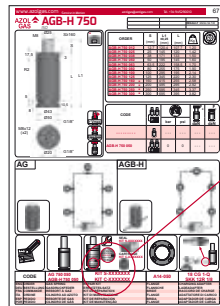


## HOW TO ORDER

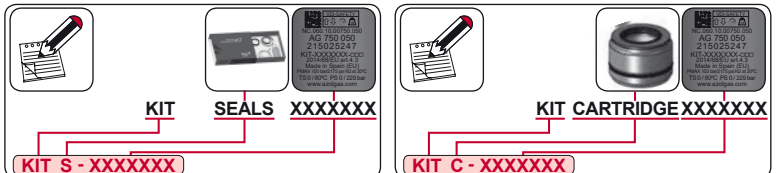


Should the gas spring be marked a serial number on the body (e.g. 215025247), the way to order the kit repair is as follows: KIT – gas spring model – serial number.

## HOW TO ORDER KIT REPAIR (NEW VERSION)



## HOW TO ORDER



Should the gas spring be marked a serial number on the body (e.g. 215025247), but additionally it has engraved the word KIT with an associated kit repair number (e.g. KIT 1234567), the way to order the kit repair is as follows: KIT – serial number of the kit repair engraved – S (only seals) or KIT – serial number of the kit repair engraved – C (cartridge). □□□ are used to mark repairs (e.g. ☒□□).

# MARKING GAS SPRING







1

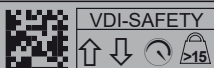


NC.060.10.10000.300  
**AG 10000 300**  
**215025247**  
 KIT-05JC000-□□□  
 CE0053 TEST - 344 bar  
 CAT III Vol. 7.58L  
 Made in Spain (EU)  
 PMAX 150 bar/2175 psi N2 at 20°C  
 TS 0 / 80°C PS 0 / 241 bar  
 www.azolgas.com

## VDI-SAFETY

- Vmax  (over-speed safety device)
- Smax  (over-stroke safety device)
- Pmax  (over-pressure safety device)
- Warning weight > 15 kg. 

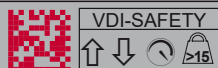
2



NC.060.10.10000.300  
**AG 10000 300**  
**215025247**  
 KIT-05JC000-□□□  
 CE0053 TEST - 344 bar  
 CAT III Vol. 7.58L  
 Made in Spain (EU)  
 PMAX 150 bar/2175 psi N2 at 20°C  
 TS 0 / 80°C PS 0 / 241 bar  
 www.azolgas.com

NITROCYL part number.  
 AZOLGAS part number.

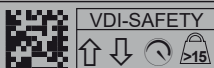
3



NC.060.10.10000.300  
**AG 10000 300**  
**215025247**  
 KIT-05JC000-□□□  
 CE0053 TEST - 344 bar  
 CAT III Vol. 7.58L  
 Made in Spain (EU)  
 PMAX 150 bar/2175 psi N2 at 20°C  
 TS 0 / 80°C PS 0 / 241 bar  
 www.azolgas.com

Data Matrix (serial number).

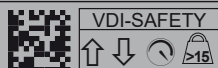
4



NC.060.10.10000.300  
**AG 10000 300**  
**215025247**  
**KIT-05JC000-□□□**  
 CE0053 TEST - 344 bar  
 CAT III Vol. 7.58L  
 Made in Spain (EU)  
 PMAX 150 bar/2175 psi N2 at 20°C  
 TS 0 / 80°C PS 0 / 241 bar  
 www.azolgas.com

Repair KIT.  
 The Repair KIT code engraved on the body identifies each gas spring with its corresponding Repair KIT.

5

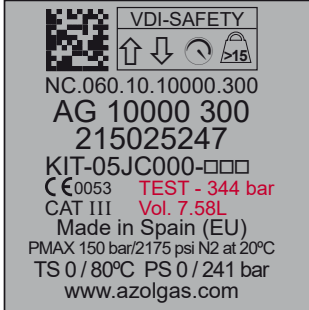


NC.060.10.10000.300  
**AG 10000 300**  
**215025247**  
 KIT-05JC000-□□□  
 CE0053 TEST - 344 bar  
**CAT III** Vol. 7.58L  
 Made in Spain (EU)  
 PMAX 150 bar/2175 psi N2 at 20°C  
 TS 0 / 80°C PS 0 / 241 bar  
 www.azolgas.com

Marking PED 2014/68/EU:

- Article 4.3
- Category I
- Category II
- Category III-IV

6



Marking of Test Pressure and gas volume (only for gas springs under Category III-IV).

7



Country of origin.

8



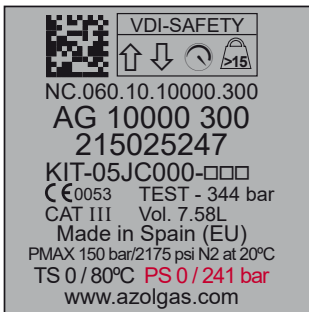
PMAx: maximum charging pressure on gas spring at 20°C.

9



Operating temperature 0-80°C.

10



Design pressure.

11



Marking from manufacturer.

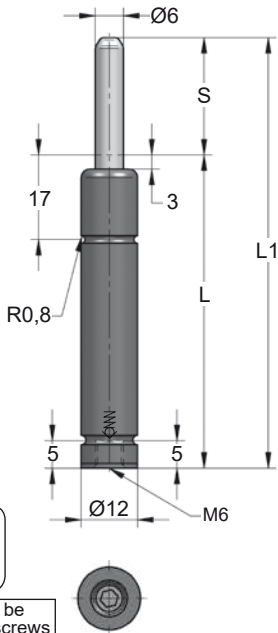




# AFB V2

Mini

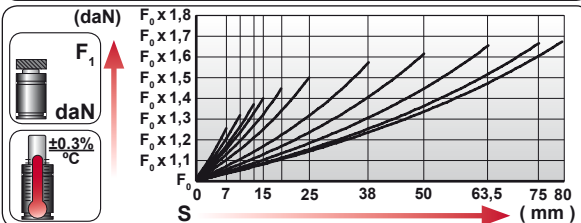
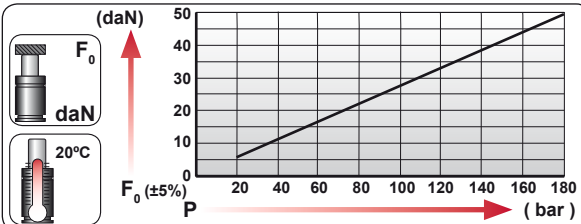


Not to be fixed by screws

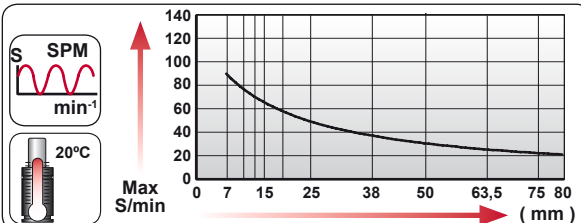
CODE	S (mm)	L1 ±0,25 (mm)	L (mm)	Kg.
AFB ... 007 V2	7	56	49	0.03
AFB ... 010 V2	10	62	52	0.03
AFB ... 012 V2	12.7	67.4	54.7	0.03
AFB ... 015 V2	15	72	57	0.04
AFB ... 019 V2	19	80	61	0.04
AFB ... 025 V2	25	92	67	0.04
AFB ... 038 V2	38	118	80	0.05
AFB ... 050 V2	50	142	92	0.06
AFB ... 063 V2	63.5	172	108.5	0.06
AFB ... 075 V2	75	195	120	0.07
AFB ... 080 V2	80	205	125	0.07

CODE	COLOR	Pressure		Force	
		bar	psi	daN	daN
AFB 13 050 V2	Green	45	650	13	20
AFB 25 050 V2	Blue	90	1305	25	40
AFB 38 050 V2	Red	135	1960	38	60
AFB 50 050 V2	Yellow	180	2610	50	80
AFB XX 050 V2	Black	20-180	290-2610	6 - 50	9 - 80



Language	Order Code	Force (daN)	Stroke (mm)
ENG	ORDER	50	50
DEU	BESTELLUNG	50	50
FRA	COMMANDE	50	50
ITA	ORDINE	50	50
ESP	PEDIDO	50	50
POR	PEDIDO	50	50

**AFB 50 050 V2**



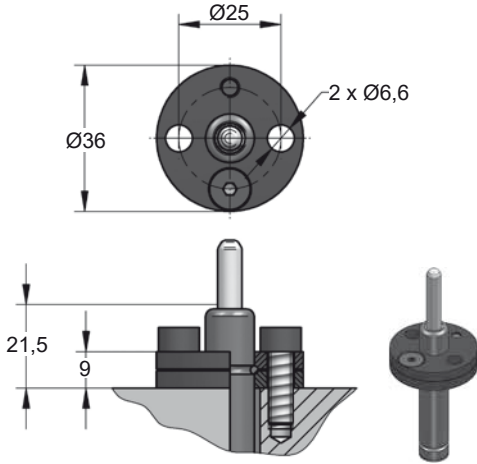
--	--	--	--	--	--	--	--

N <sub>2</sub>	Smax < 90%	Vmax 1,6 m/s	bar psi	bar psi	°C °F	°C °F	°C °F	
			20 290	180 2610	0 32	80 176		

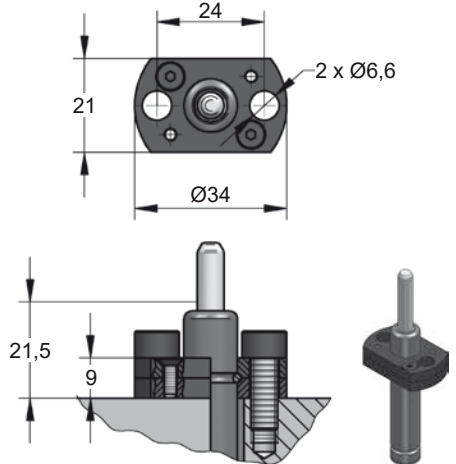


Mini

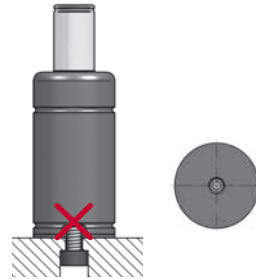
## A14-012



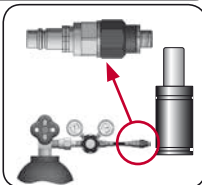
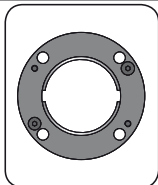
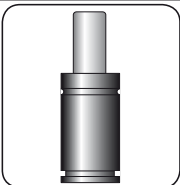
## A59-012



## Single base thread



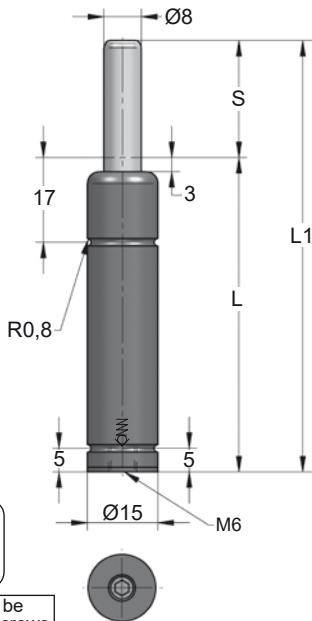
Gas springs with only a single base thread should not be mounted by screws.



CODE	AFB 50 050 V2	<b>X</b>	A14-012	06 CG 2-Q
ENG ORDER	GAS SPRING	REPAIR KIT	FLANGE	CHARGING ADAPTER
DEU BESTELLUNG	GASDRUCKFEDER	ERSATZTEILSATZ	FLANSCHEN	LADEADAPTER
FRA COMMANDE	RESSORT À GAZ	KIT DE RÉPARATION	BRIDE	RACCORD DE CHARGE
ITA ORDINE	CILINDRO AD AZOTO	KIT DI MANUTENZIONE	FLANGE	ADATTATORE DI CARICO
ESP PEDIDO	RESORTE DE GAS	KIT DE REPARACION	BRIDA	ADAPTADOR DE CARGA
POR PEDIDO	CILINDRO DE GÁS	KIT DE MANUTENÇÃO	FLANGE	ADAPTADOR DE CARGA

# AFH V1

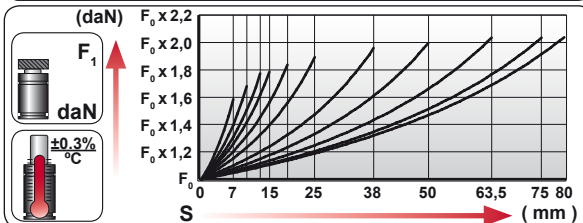
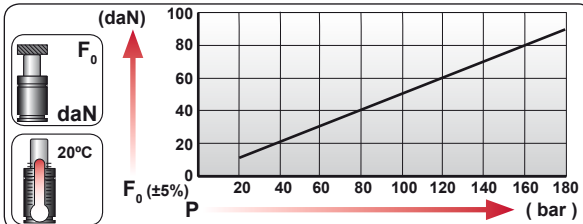
Mini



Not to be fixed by screws

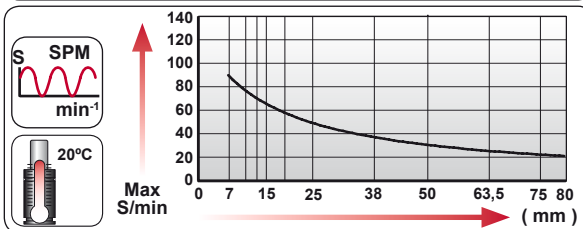
CODE	S (mm)	L1 ±0,25 (mm)	L (mm)	Kg.
AFH ... 007 V1	7	56	49	0.06
AFH ... 010 V1	10	62	52	0.06
AFH ... 012 V1	12.7	67.4	54.7	0.06
AFH ... 015 V1	15	72	57	0.06
AFH ... 019 V1	19	80	61	0.07
AFH ... 025 V1	25	92	67	0.07
AFH ... 038 V1	38	118	80	0.08
AFH ... 050 V1	50	142	92	0.09
AFH ... 063 V1	63.5	172	108.5	0.10
AFH ... 075 V1	75	195	120	0.11
AFH ... 080 V1	80	205	125	0.12

CODE	COLOR	Pressure (bar/psi)		Force (daN)	
		bar	psi	F <sub>0</sub> daN	F <sub>1</sub> daN
AFH 18 050 V1	Green	35	510	18	35
AFH 35 050 V1	Blue	70	1015	35	70
AFH 50 050 V1	Red	100	1450	50	100
AFH 70 050 V1	Yellow	140	2030	70	140
AFH XX 050 V1	Black	20-180	290-2610	10 - 90	20 - 180



Language	Order Code	F <sub>0</sub> (daN)	S (mm)
ENG	ORDER	90	50
DEU	BESTELLUNG		
FRA	COMMANDE		
ITA	ORDINE		
ESP	PEDIDO		
POR	PEDIDO		

**AFH 90 050 V1**



N<sub>2</sub>

S<sub>max</sub> < 90%

V<sub>max</sub> 1,6 m/s

P<sub>min</sub> (20°C)  
P<sub>max</sub> (20°C)

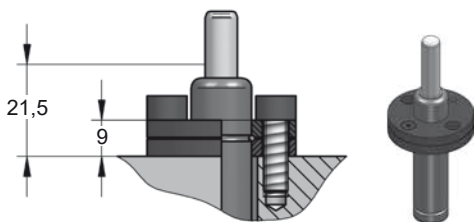
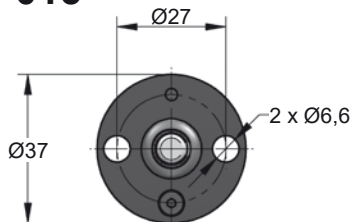
T<sub>min</sub>  
T<sub>max</sub>

bar	psi	bar	psi	°C	°F	°C	°F
20	290	180	2610	0	32	80	176

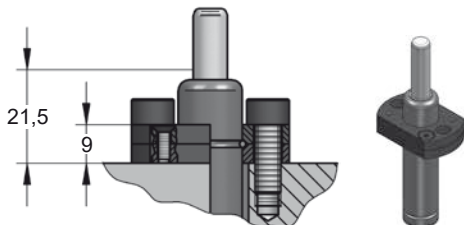
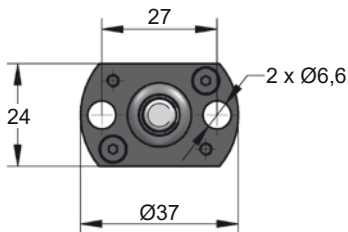


Mini

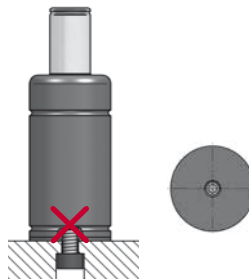
## A14-015



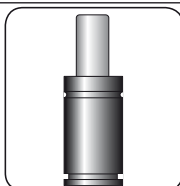
## A49-015



## Single base thread

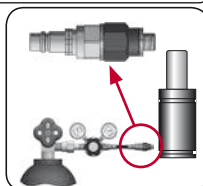
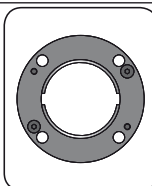


Gas springs with only a single base thread should not be mounted by screws.



SEAL  
KIT S-XXXXXXX

CARTRIDGE  
KIT C-XXXXXXX

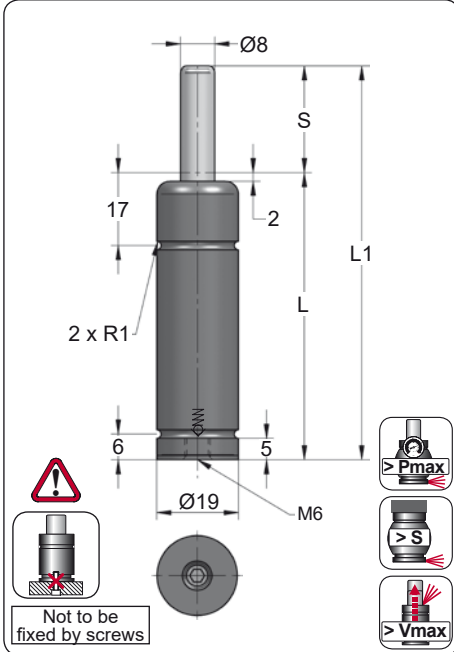


CODE	AFH 90 050 V1	<b>X</b>	A14-015	06 CG 2-Q
ENG ORDER	GAS SPRING	REPAIR KIT	FLANGE	CHARGING ADAPTER
DEU BESTELLUNG	GASDRUCKFEDER	ERSATZTEILSATZ	FLANSCHEN	LADEADAPTER
FRA COMMANDE	RESSORT À GAZ	KIT DE RÉPARATION	BRIDE	RACCORD DE CHARGE
ITA ORDINE	CILINDRO AD AZOTO	KIT DI MANUTENZIONE	FLANGE	ADATTATORE DI CARICO
ESP PEDIDO	RESORTE DE GAS	KIT DE REPARACION	BRIDA	ADAPTADOR DE CARGA
POR PEDIDO	CILINDRO DE GÁS	KIT DE MANUTENÇÃO	FLANGE	ADAPTADOR DE CARGA

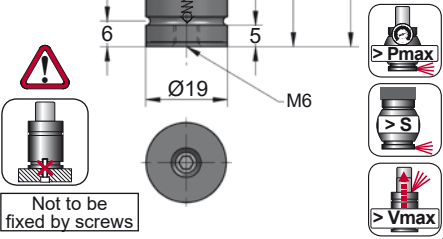
# AFJ V1

Mini

BMW B2 4006	FORD W-DX35-8036	
MB B8 3180 220 000 002		
VW 39D 878		



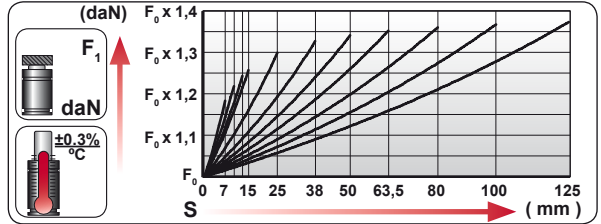
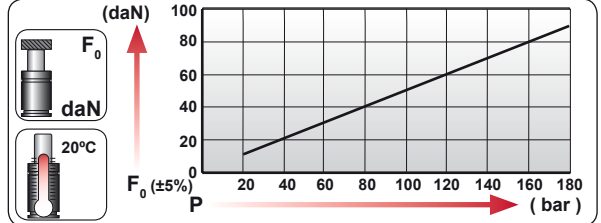
Not to be fixed by screws



ORDER	S (mm)	L1 ±0.25 (mm)	L (mm)	Kg.
AFJ ... 007 V1	7	56	49	0.07
AFJ ... 010 V1	10	62	52	0.07
AFJ ... 012 V1	12.7	67.4	54.7	0.08
AFJ ... 015 V1	15	72	57	0.08
AFJ ... 025 V1	25	92	67	0.10
AFJ ... 038 V1	38	118	80	0.11
AFJ ... 050 V1	50	142	92	0.12
AFJ ... 063 V1	63.5	172	108.5	0.14
AFJ ... 080 V1	80	205	125	0.16
AFJ ... 100 V1	100	245	145	0.18
AFJ ... 125 V1	125	295	170	0.21

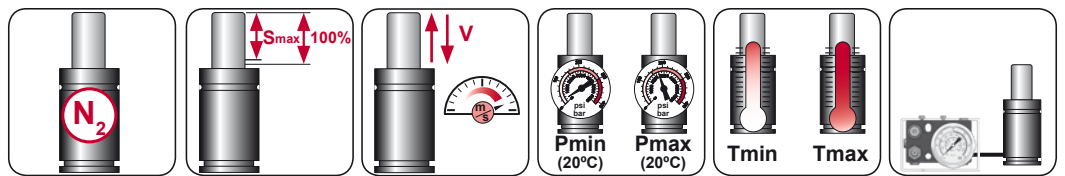
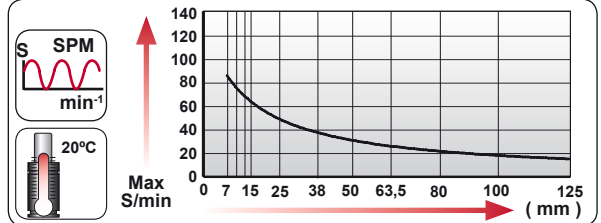


CODE	COLOR	Pressure		F <sub>0</sub> daN	F <sub>1</sub> daN
		bar	psi		
AFJ 30 050 V1	Green	60	870	30	40
AFJ 50 050 V1	Blue	100	1450	50	70
AFJ 70 050 V1	Red	140	2030	70	95
AFJ 90 050 V1	Yellow	180	2610	90	120
AFJ XX 050 V1	Black	20-180	290-2610	10 - 90	13 - 120



EQUIPPED WITH VDI - SAFETY

Language	ORDER	F <sub>0</sub>	S
ENG	BESTELLUNG	daN	mm
DEU	BESTELLUNG	daN	mm
FRA	COMMANDE	daN	mm
ITA	ORDINE	daN	mm
ESP	PEDIDO	daN	mm
POR	PEDIDO	daN	mm



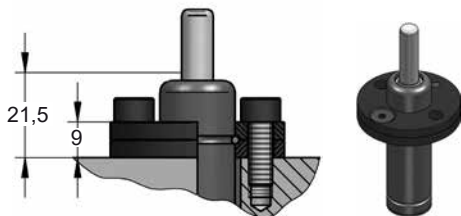
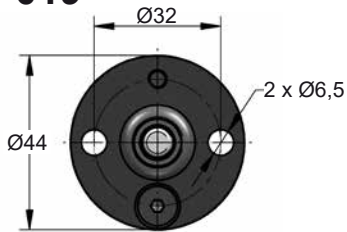
N <sub>2</sub>	Smax < 90%	Vmax 1,6 m/s	bar psi	bar psi	°C °F	°C °F	°C °F	°C °F	X
			20 290	180 2610	0 32	80 176			



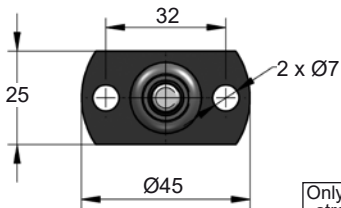
# AFJ V1 MOUNTS

Mini

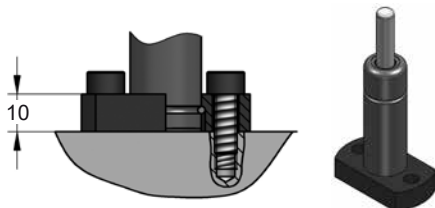
## A14-019



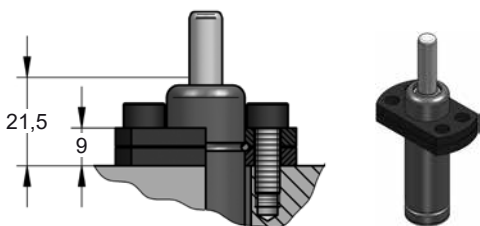
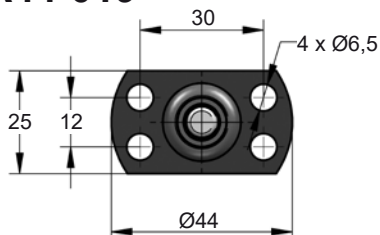
## A19-019



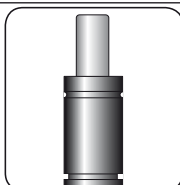
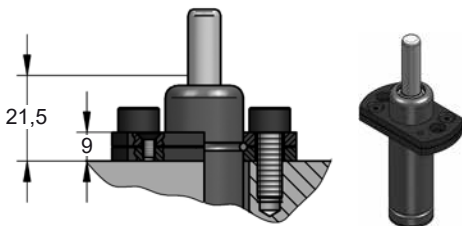
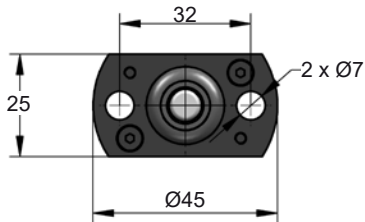
Only to be used for strokes 7-25 mm



## A44-019



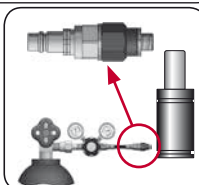
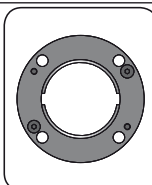
## A59-019



SEAL KIT S-XXXXXXX



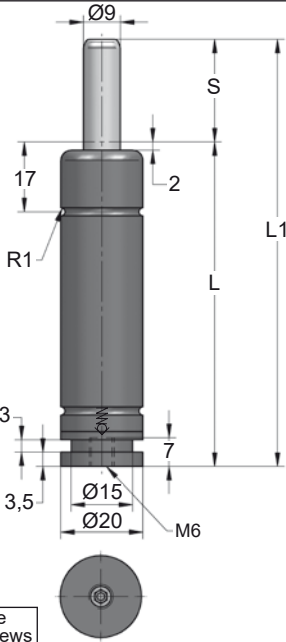
CARTRIDGE KIT C-XXXXXXX



CODE	AFJ 90 050 V1	<b>X</b>	A14-019	06 CG 2-Q
ENG ORDER	GAS SPRING	REPAIR KIT	FLANGE	CHARGING ADAPTER
DEU BESTELLUNG	GASDRUCKFEDER	ERSATZTEILSATZ	FLANSCHEN	LADEADAPTER
FRA COMMANDE	RESSORT À GAZ	KIT DE RÉPARATION	BRIDE	RACCORD DE CHARGE
ITA ORDINE	CILINDRO AD AZOTO	KIT DI MANUTENZIONE	FLANGE	ADATTATORE DI CARICO
ESP PEDIDO	RESORTE DE GAS	KIT DE REPARACION	BRIDA	ADAPTADOR DE CARGA
POR PEDIDO	CILINDRO DE GAS	KIT DE MANUTENÇÃO	FLANGE	ADAPTADOR DE CARGA

# AFK V1

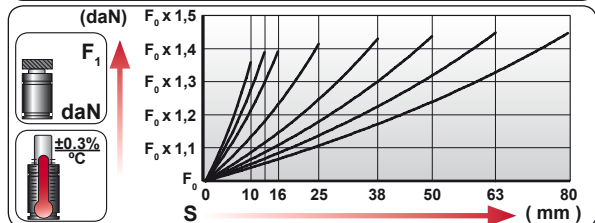
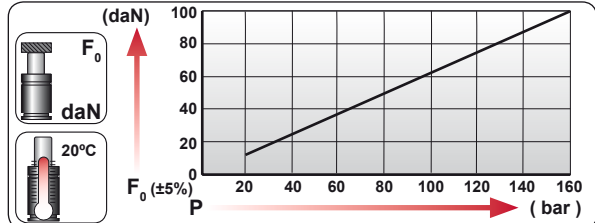
Mini



Not to be fixed by screws

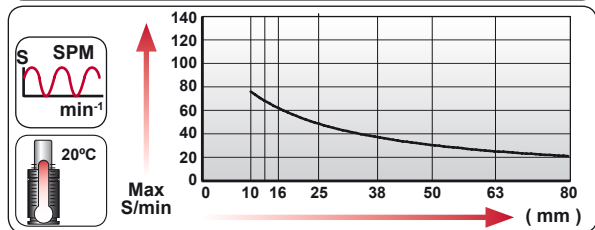
CODE	S (mm)	L1 ±0,25 (mm)	L (mm)	Kg.
AFK ... 010 V1	10	74	64	0.09
AFK ... 012 V1	12.7	79.4	66.7	0.10
AFK ... 016 V1	16	86	70	0.13
AFK ... 025 V1	25	104	79	0.15
AFK ... 038 V1	38	130	92	0.16
AFK ... 050 V1	50	154	104	0.18
AFK ... 063 V1	63	180	117	0.19
AFK ... 080 V1	80	214	134	0.23

CODE	COLOR	Pressure (bar)		Force (daN)	
		bar	psi	F <sub>0</sub> daN	F <sub>1</sub> daN
AFK 25 050 V1	Green	40	580	25	35
AFK 50 050 V1	Blue	80	1160	50	70
AFK 75 050 V1	Red	120	1740	75	105
AFK 100 050 V1	Yellow	160	2320	100	140
AFK XXX 050 V1	Black	20-160	290-2320	13 - 100	18 - 140



Language	Order Term	F <sub>0</sub> (daN)	S (mm)
ENG	ORDER	100	50
DEU	BESTELLUNG	100	50
FRA	COMMANDE	100	50
ITA	ORDINE	100	50
ESP	PEDIDO	100	50
POR	PEDIDO	100	50

**AFK 100 050 V1**



N<sub>2</sub>

S<sub>max</sub> < 90%

V<sub>max</sub> 1,6 m/s

P<sub>min</sub> 20(20°C)  
P<sub>max</sub> 160(2320)

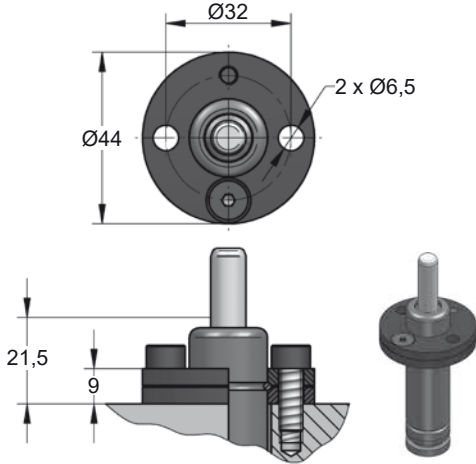
T<sub>min</sub> T<sub>max</sub>

bar	psi	bar	psi	°C	°F	°C	°F
20	290	160	2320	0	32	80	176

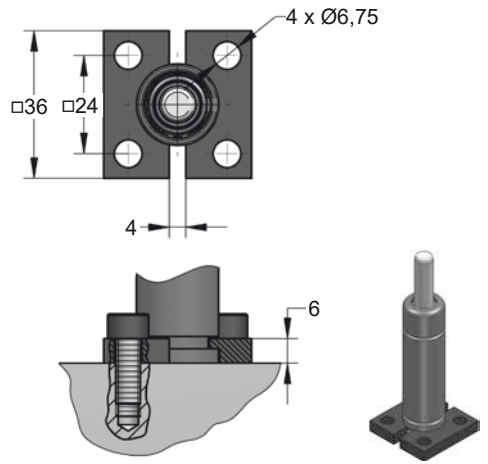


Mini

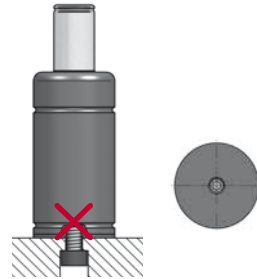
## A14-020



## C15-020



## Single base thread



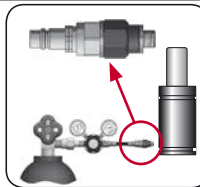
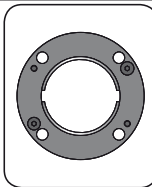
Gas springs with only a single base thread should not be mounted by screws.



SEAL  
KIT S-XXXXXXX



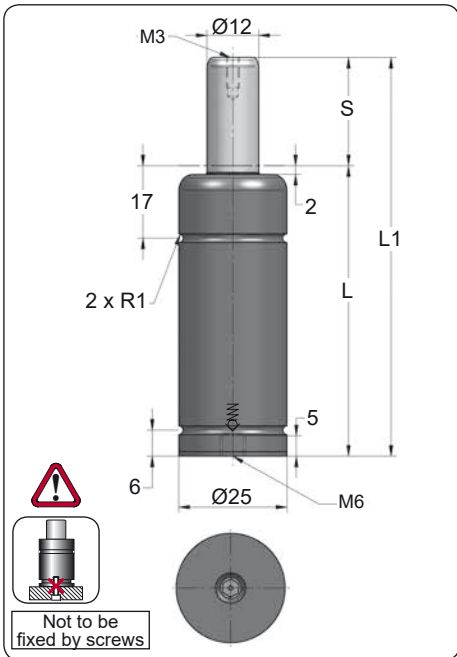
CARTRIDGE  
KIT C-XXXXXXX



CODE	AFK 100 050 V1	<b>X</b>	A14-020	06 CG 2-Q
ENG ORDER	GAS SPRING	REPAIR KIT	FLANGE	CHARGING ADAPTER
DEU BESTELLUNG	GASDRUCKFEDER	ERSATZTEILSATZ	FLANSCH	LADEADAPTER
FRA COMMANDE	RESSORT À GAZ	KIT DE RÉPARATION	BRIDE	RACCORD DE CHARGE
ITA ORDINE	CILINDRO AD AZOTO	KIT DI MANUTENZIONE	FLANGE	ADATTATORE DI CARICO
ESP PEDIDO	RESORTE DE GAS	KIT DE REPARACION	BRIDA	ADAPTADOR DE CARGA
POR PEDIDO	CILINDRO DE GÁS	KIT DE MANUTENÇÃO	FLANGE	ADAPTADOR DE CARGA

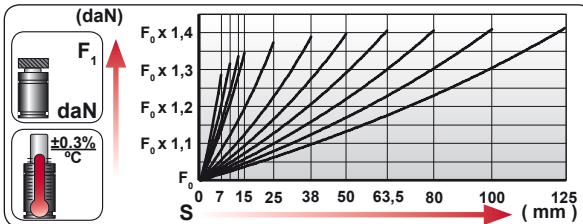
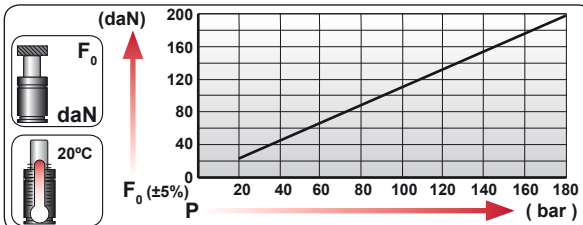
# AFD V1

Mini



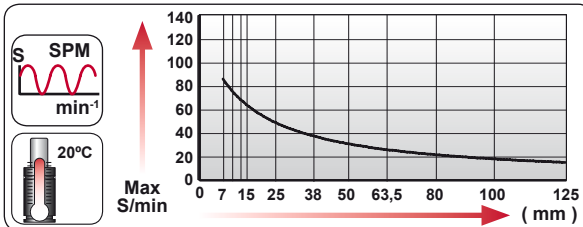
CODE	S (mm)	L1 ±0,25 (mm)	L (mm)	Kg.
AFD ... 007 V1	7	56	49	0.14
AFD ... 010 V1	10	62	52	0.14
AFD ... 012 V1	12.7	67.4	54.7	0.15
AFD ... 015 V1	15	72	57	0.16
AFD ... 025 V1	25	92	67	0.18
AFD ... 038 V1	38	118	80	0.21
AFD ... 050 V1	50	142	92	0.24
AFD ... 063 V1	63.5	172	108.5	0.28
AFD ... 080 V1	80	205	125	0.32
AFD ... 100 V1	100	245	145	0.36
AFD ... 125 V1	125	295	170	0.39

CODE	COLOR	Pressure (bar)		Force (daN)	
		bar	psi	F <sub>0</sub> daN	F <sub>1</sub> daN
AFD 50 050 V1	Green	45	650	50	70
AFD 100 050 V1	Blue	90	1305	100	140
AFD 150 050 V1	Red	135	1960	150	210
AFD 200 050 V1	Yellow	180	2610	200	280
AFD XXX 050 V1	Black	20-180	290-2610	23 - 200	32 - 280



Language	Order Code	F <sub>0</sub> (daN)	S (mm)
ENG	ORDER	200	50
DEU	BESTELLUNG	200	50
FRA	COMMANDE	200	50
ITA	ORDINE	200	50
ESP	PEDIDO	200	50
POR	PEDIDO	200	50

**AFD 200 050 V1**



N<sub>2</sub>

S<sub>max</sub> < 90%

V<sub>max</sub> 1,6 m/s

P<sub>min</sub> (20°C)

P<sub>max</sub> (20°C)

T<sub>min</sub>

T<sub>max</sub>

bar	psi	bar	psi	°C	°F	°C	°F
20	290	180	2610	0	32	80	176

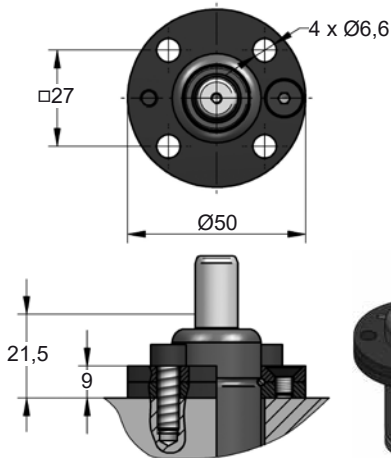




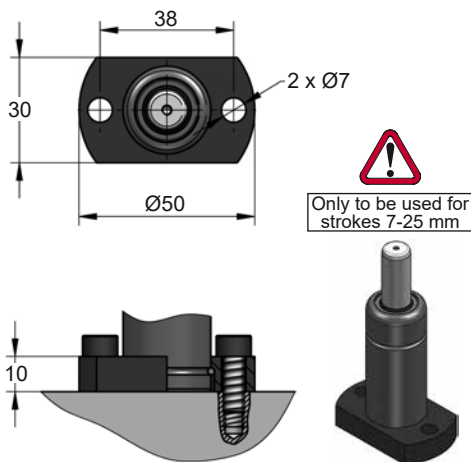
# AFD V1 MOUNTS

Mini

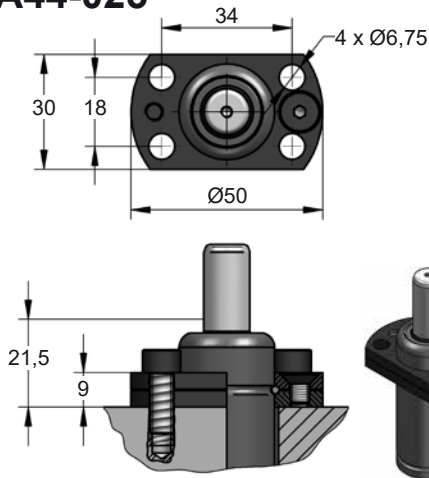
## A14-025



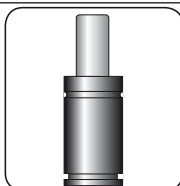
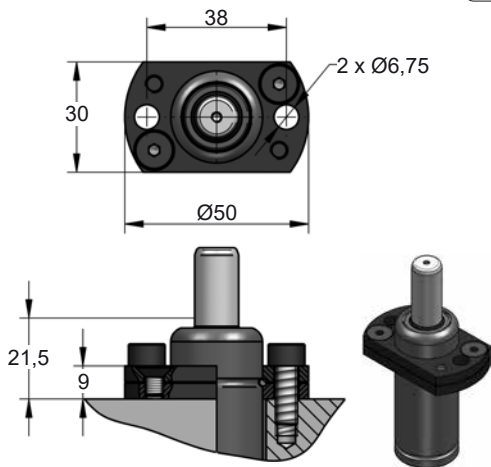
## A19-025



## A44-025



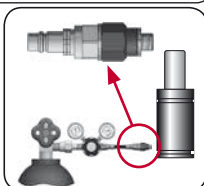
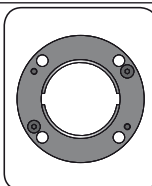
## A49-025



SEAL  
KIT S-XXXXXXX



CARTRIDGE  
KIT C-XXXXXXX

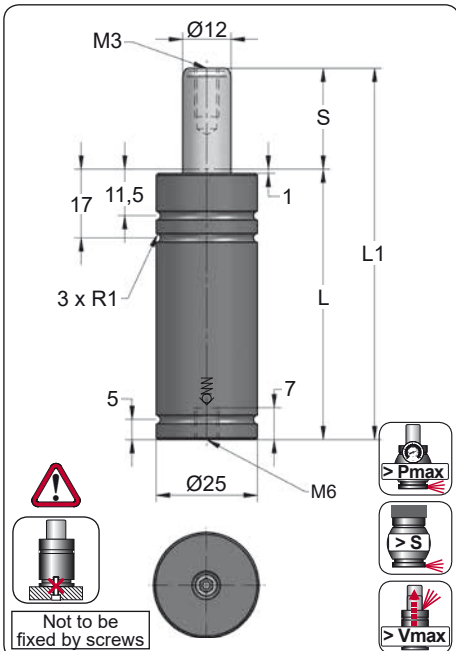


CODE	AFD 200 050 V1	<b>X</b>	A14-025	06 CG 2-Q
ENG ORDER	GAS SPRING	REPAIR KIT	FLANGE	CHARGING ADAPTER
DEU BESTELLUNG	GASDRUCKFEDER	ERSATZTEILSATZ	FLANSCHEN	LADEADAPTER
FRA COMMANDE	RESSORT À GAZ	KIT DE RÉPARATION	BRIDE	RACCORD DE CHARGE
ITA ORDINE	CILINDRO AD AZOTO	KIT DI MANUTENZIONE	FLANGE	ADATTATORE DI CARICO
ESP PEDIDO	RESORTE DE GAS	KIT DE REPARACION	BRIDA	ADAPTADOR DE CARGA
POR PEDIDO	CILINDRO DE GÁS	KIT DE MANUTENÇÃO	FLANGE	ADAPTADOR DE CARGA

# AFC

Mini

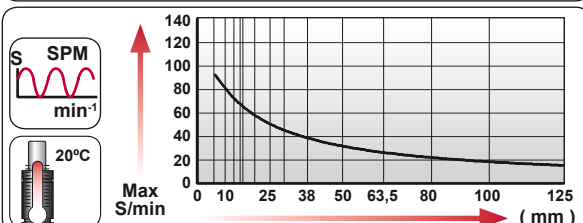
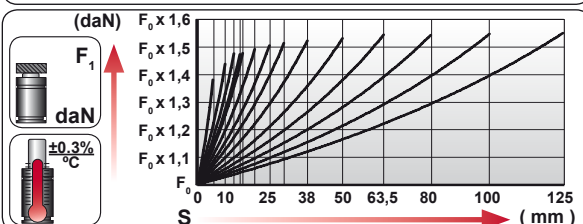
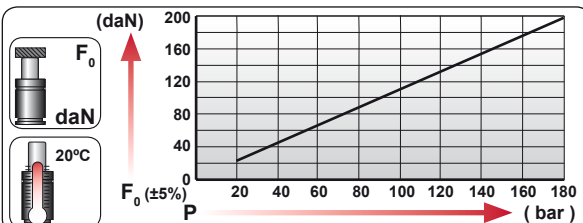
BMW	B2 4006	PSA	E24.54.815.G
MB	B8 3180 220 000 002		
VW	39D 878		



ORDER	S (mm)	L1 ±0.25 (mm)	L (mm)	Kg.
AFC ... 007	7	56	49	0.14
AFC ... 010	10	62	52	0.15
AFC ... 012	12.7	67.4	54.7	0.16
AFC ... 015	15	72	57	0.17
AFC ... 016	16	74	58	0.17
AFC ... 020	20	82	62	0.18
AFC ... 025	25	92	67	0.18
AFC ... 030	30	102	72	0.21
AFC ... 038	38	118	80	0.21
AFC ... 050	50	142	92	0.24
AFC ... 063	63.5	172	108.5	0.27
AFC ... 080	80	205	125	0.31
AFC ... 100	100	245	145	0.35
AFC ... 125	125	295	170	0.41



CODE	COLOR	Pressure		F <sub>0</sub> daN	F <sub>1</sub> daN
		bar	psi		
AFC 50 050	Green	45	650	50	75
AFC 100 050	Blue	90	1305	100	155
AFC 150 050	Red	135	1960	150	230
AFC 200 050	Yellow	180	2610	200	305
AFC XXX 050	Black	20-180	290-2610	23 - 200	35 - 305



VDI 3003

↑ ↓ ↻

EQUIPPED WITH VDI - SAFETY

	ENG	ORDER		
	DEU	BESTELLUNG		
	FRA	COMMANDE		
	ITA	ORDINE		
	ESP	PEDIDO		
POR	PEDIDO			

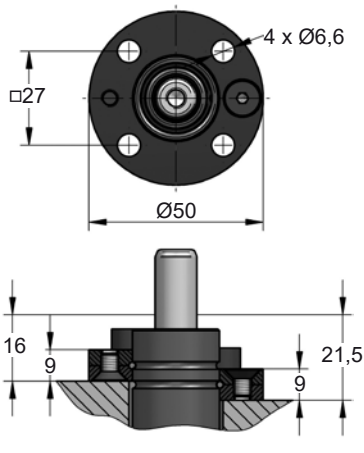
**AFC 200 050**      **200**      **50**

N <sub>2</sub>	S <sub>max</sub> < 90%	V <sub>max</sub> 1,6 m/s	P <sub>min</sub> (20°C)	P <sub>max</sub> (20°C)	T <sub>min</sub>	T <sub>max</sub>	

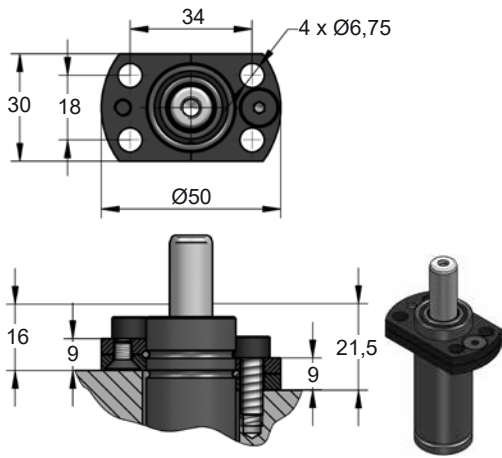
bar	psi	bar	psi	°C	°F	°C	°F	<b>X</b>
20	290	180	2610	0	32	80	176	



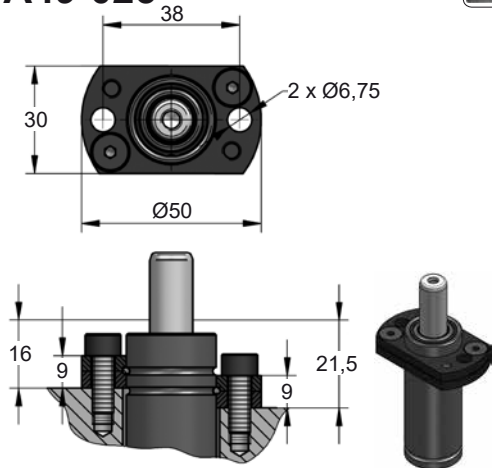
**A14-025**



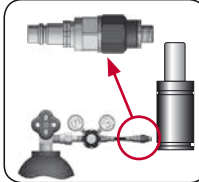
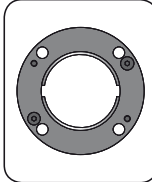
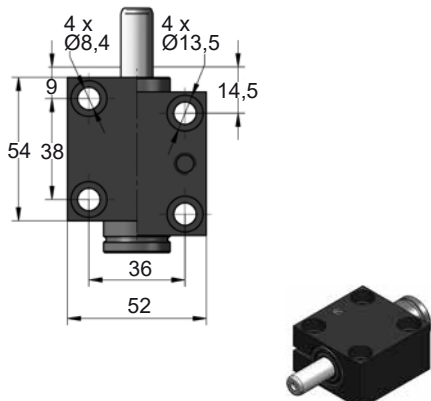
**A44-025**



**A49-025**



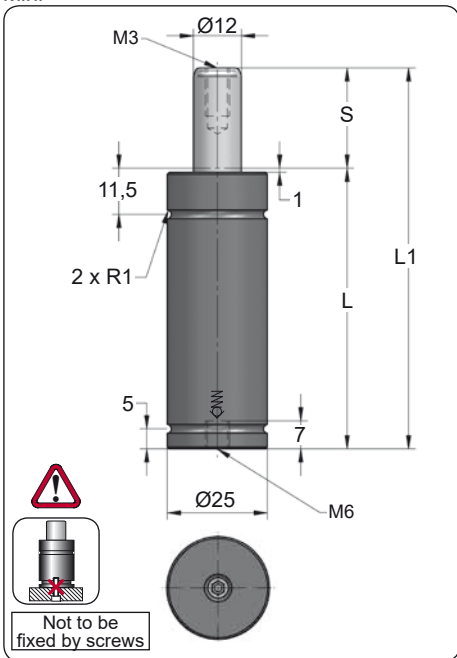
**D02-025**



CODE	AFC 200 050	KIT S-XXXXXXX KIT C-XXXXXXX	A14-025	06 CG 2-Q
ENG ORDER	GAS SPRING	REPAIR KIT	FLANGE	CHARGING ADAPTER
DEU BESTELLUNG	GASDRUCKFEDER	ERSATZTEILSATZ	FLANSCH	LADEADAPTER
FRA COMMANDE	RESSORT À GAZ	KIT DE RÉPARATION	BRIDE	RACCORD DE CHARGE
ITA ORDINE	CILINDRO AD AZOTO	KIT DI MANUTENZIONE	FLANGE	ADATTATORE DI CARICO
ESP PEDIDO	RESORTE DE GAS	KIT DE REPARACION	BRIDA	ADAPTADOR DE CARGA
POR PEDIDO	CILINDRO DE GAS	KIT DE MANUTENÇÃO	FLANGE	ADAPTADOR DE CARGA

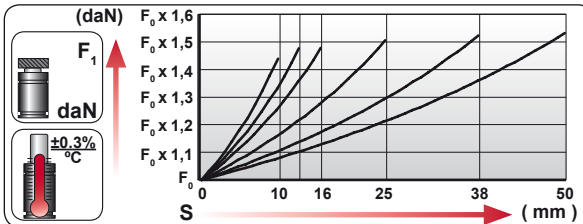
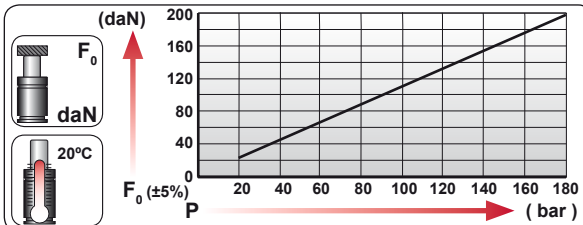
# AFNA

Mini



CODE	S (mm)	L1 ±0,25 (mm)	L (mm)	Kg.
AFNA ... 010	10	65	55	0.15
AFNA ... 012	12.7	70.4	57.7	0.16
AFNA ... 016	16	77	61	0.17
AFNA ... 025	25	95	70	0.18
AFNA ... 038	38	121	83	0.21
AFNA ... 050	50	95	0.24	

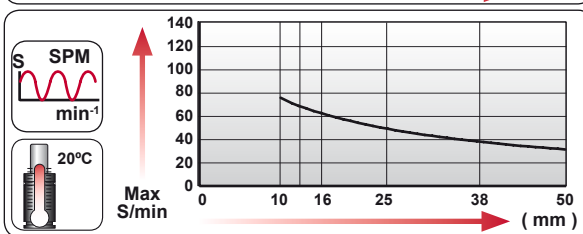
CODE	COLOR	Pressure (bar)		Force (daN)	
		bar	psi	F <sub>0</sub> daN	F <sub>1</sub> daN
AFNA 50 050	Green	45	650	50	75
AFNA 100 050	Blue	90	1305	100	155
AFNA 150 050	Red	135	1960	150	230
AFNA 200 050	Yellow	180	2610	200	305
AFNA XXX 050	Black	20-180	290-2610	23 - 200	35 - 305



	ENG ORDER		
	DEU BESTELLUNG		
	FRA COMMANDE		
	ITA ORDINE		
	ESP PEDIDO		
POR PEDIDO			

**AFNA 200 50**

**AFNA 200 050**



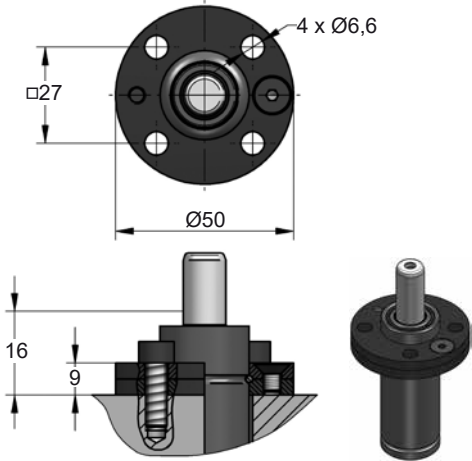
N <sub>2</sub>	S <sub>max</sub> < 90%	V <sub>max</sub> 1,6 m/s	P <sub>min</sub> (20°C)	P <sub>max</sub> (20°C)	T <sub>min</sub>	T <sub>max</sub>	

bar	psi	bar	psi	°C	°F	°C	°F	<b>X</b>
20	290	180	2610	0	32	80	176	

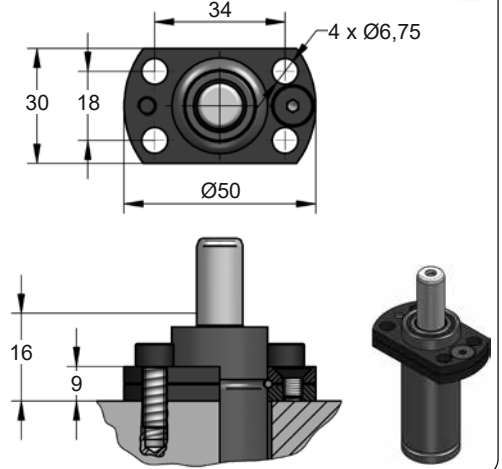
Mini



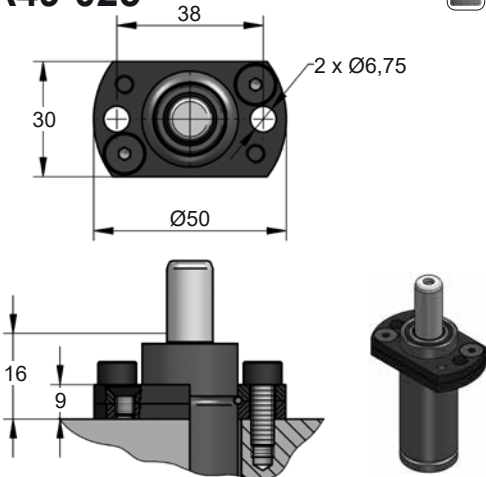
## A14-025



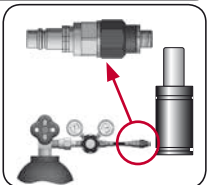
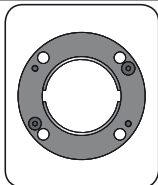
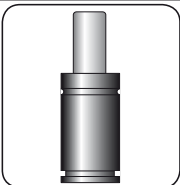
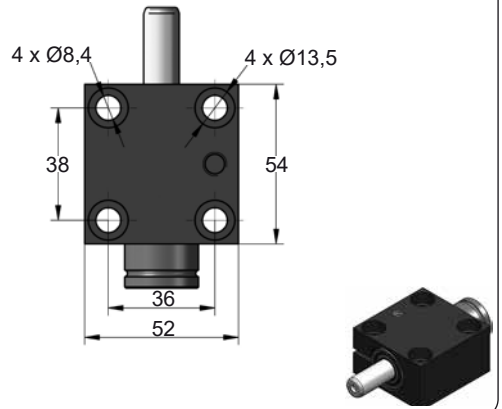
## A44-025



## A49-025



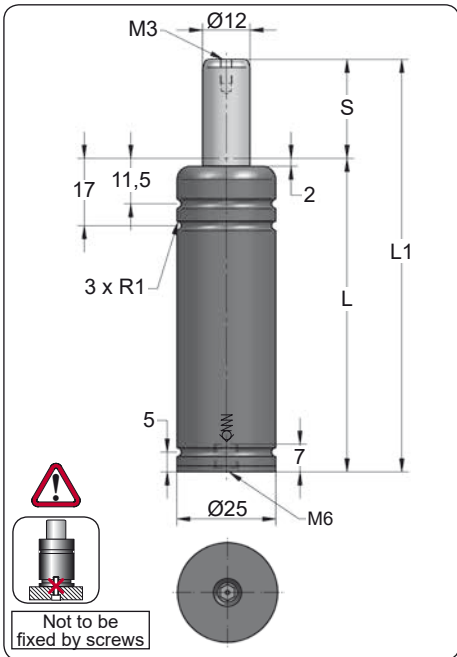
## D02-025



CODE	AFNA 200 050	KIT S-XXXXXXX KIT C-XXXXXXX	A14-025	06 CG 2-Q
ENG ORDER	GAS SPRING	REPAIR KIT	FLANGE	CHARGING ADAPTER
DEU BESTELLUNG	GASDRUCKFEDER	ERSATZTEILSATZ	FLANSCH	LADEADAPTER
FRA COMMANDE	RESSORT À GAZ	KIT DE RÉPARATION	BRIDE	RACCORD DE CHARGE
ITA ORDINE	CILINDRO AD AZOTO	KIT DI MANUTENZIONE	FLANGE	ADATTATORE DI CARICO
ESP PEDIDO	RESORTE DE GAS	KIT DE REPARACION	BRIDA	ADAPTADOR DE CARGA
POR PEDIDO	CILINDRO DE GAS	KIT DE MANUTENÇÃO	FLANGE	ADAPTADOR DE CARGA

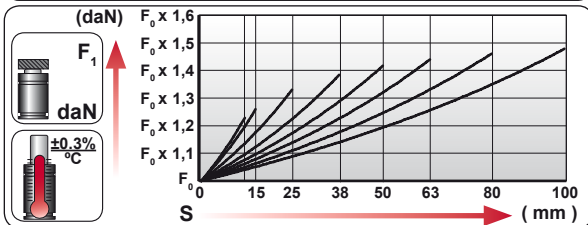
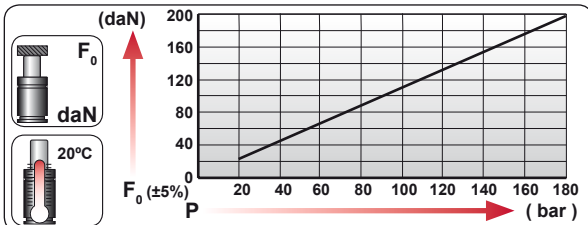
# AF V1

Mini



CODE	S (mm)	L1 ±0,25 (mm)	L (mm)	Kg.
AF ... 012 V1	12	78	66	0.17
AF ... 015 V1	15	84	69	0.18
AF ... 025 V1	25	104	79	0.21
AF ... 038 V1	38	130	92	0.23
AF ... 050 V1	50	154	104	0.27
AF ... 063 V1	63	180	117	0.29
AF ... 080 V1	80	214	134	0.30
AF ... 100 V1	100	254	154	0.38

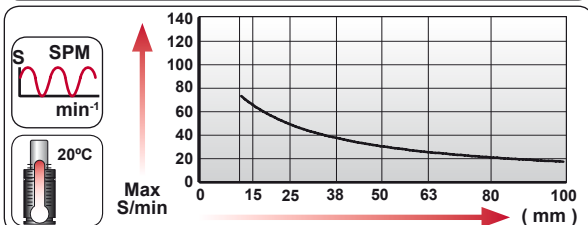
CODE	COLOR	Pressure		Force	
		bar	psi	daN	daN
AF 50 050 V1	Green	45	650	50	70
AF 100 050 V1	Blue	90	1305	100	135
AF 150 050 V1	Red	135	1960	150	205
AF 200 050 V1	Yellow	180	2610	200	270
AF XXX 050 V1	Black	20-180	290-2610	23 - 200	30 - 270



**ENG ORDER**  
**DEU BESTELLUNG**  
**FRA COMMANDE**  
**ITA ORDINE**  
**ESP PEDIDO**  
**POR PEDIDO**

**F<sub>0</sub>** daN  
**S** mm

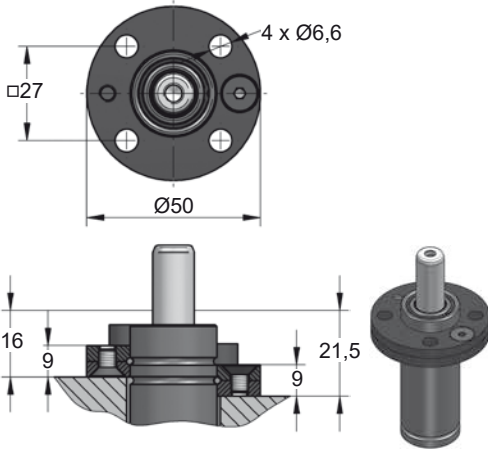
**AF 200 50**  
**AF 200 050 V1**



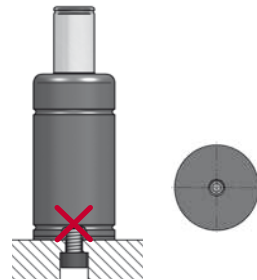
N <sub>2</sub>	S <sub>max</sub> < 90%	V <sub>max</sub> 1,6 m/s	P <sub>min</sub> (20°C)	P <sub>max</sub> (20°C)	T <sub>min</sub>	T <sub>max</sub>	

bar	psi	bar	psi	°C	°F	°C	°F	<b>X</b>
20	290	180	2610	0	32	80	176	

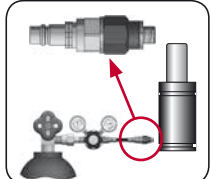
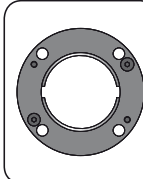
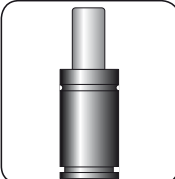
## A14-025



### Single base thread



Gas springs with only a single base thread should not be mounted by screws.

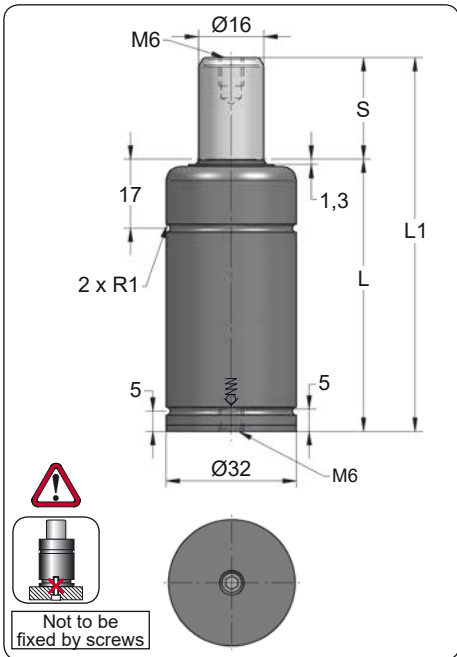


CODE	AF 200 050 V1	<b>X</b>	A14-025	06 CG 2-Q
ENG ORDER	GAS SPRING	REPAIR KIT	FLANGE	CHARGING ADAPTER
DEU BESTELLUNG	GASDRUCKFEDER	ERSATZTEILSATZ	FLANSCH	LADEADAPTER
FRA COMMANDE	RESSORT À GAZ	KIT DE RÉPARATION	BRIDE	RACCORD DE CHARGE
ITA ORDINE	CILINDRO AD AZOTO	KIT DI MANUTENZIONE	FLANGE	ADATTATORE DI CARICO
ESP PEDIDO	RESORTE DE GAS	KIT DE REPARACION	BRIDA	ADAPTADOR DE CARGA
POR PEDIDO	CILINDRO DE GÁS	KIT DE MANUTENÇÃO	FLANGE	ADAPTADOR DE CARGA

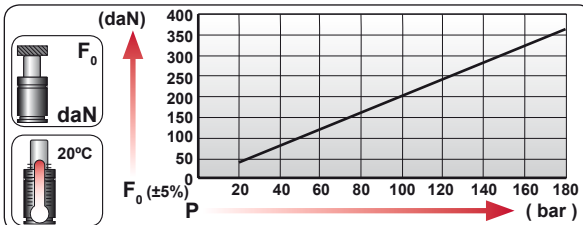
# AFT V1

Mini

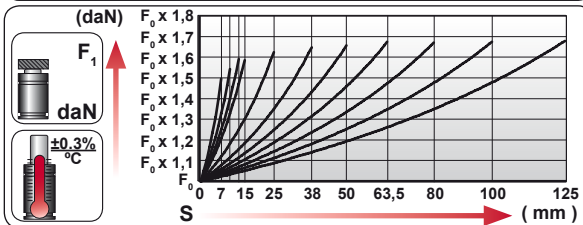
	FORD W-DX35-8040	



CODE	S (mm)	L1 ±0,25 (mm)	L (mm)	Kg.
AFT ... 007 V1	7	56	49	0.25
AFT ... 010 V1	10	62	52	0.26
AFT ... 012 V1	12.7	67.4	54.7	0.27
AFT ... 015 V1	15	72	57	0.28
AFT ... 025 V1	25	92	67	0.32
AFT ... 038 V1	38	118	80	0.37
AFT ... 050 V1	50	142	92	0.42
AFT ... 063 V1	63.5	172	108.5	0.48
AFT ... 080 V1	80	205	125	0.55
AFT ... 100 V1	100	245	145	0.63
AFT ... 125 V1	125	295	170	0.73



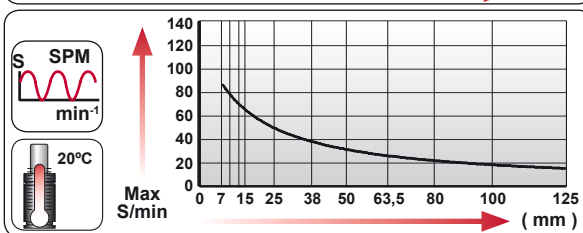
CODE	COLOR	Pressure (bar)		Force (daN)	
		bar	psi	F <sub>0</sub> daN	F <sub>1</sub> daN
AFT 80 050 V1	Green	40	580	80	135
AFT 160 050 V1	Blue	80	1160	160	265
AFT 240 050 V1	Red	120	1740	240	400
AFT 310 050 V1	Yellow	155	2450	310	515
AFT XXX 050 V1	Black	20-180	290-2610	40 - 360	65 - 600



	ENG ORDER		daN		mm
	DEU BESTELLUNG				
	FRA COMMANDE				
	ITA ORDINE				
	ESP PEDIDO				
POR PEDIDO					

**AFT 310 50**

**AFT 310 050 V1**



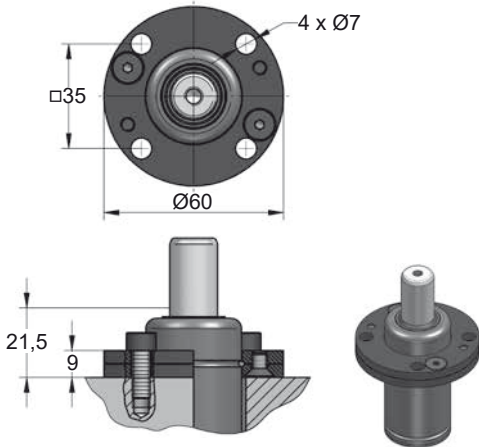
N <sub>2</sub>	S <sub>max</sub> < 90%	V <sub>max</sub> 1,6 m/s	P <sub>min</sub> (20°C)	P <sub>max</sub> (20°C)	T <sub>min</sub>	T <sub>max</sub>	

bar	psi	bar	psi	°C	°F	°C	°F	<b>X</b>
20	290	180	2610	0	32	80	176	

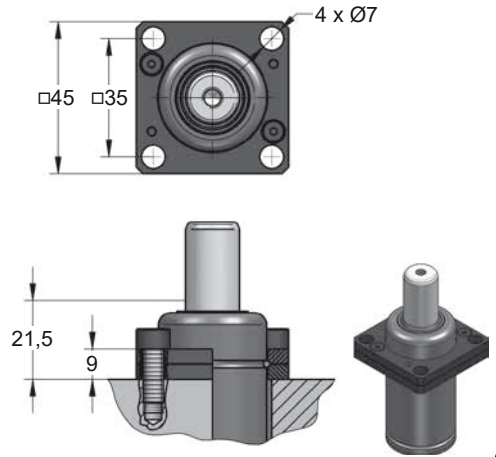


Mini

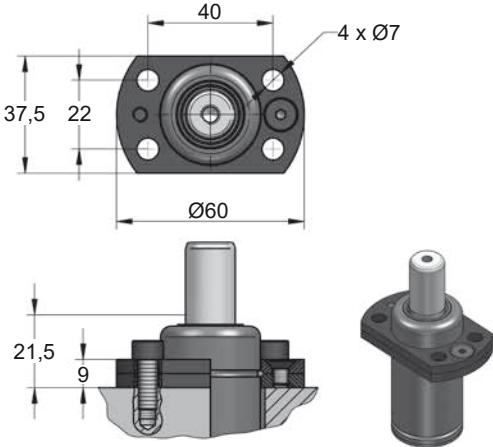
## A14-032



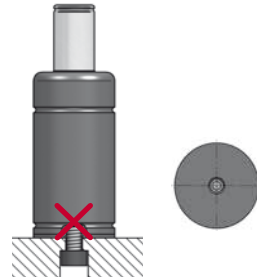
## A34-032



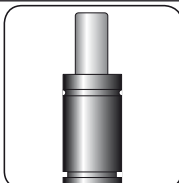
## A44-032



## Single base thread

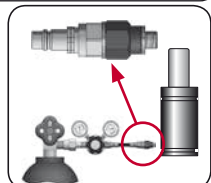
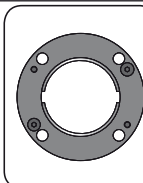


Gas springs with only a single base thread should not be mounted by screws.



**SEAL**  
**KIT S-XXXXXXX**

**CARTRIDGE**  
**KIT C-XXXXXXX**



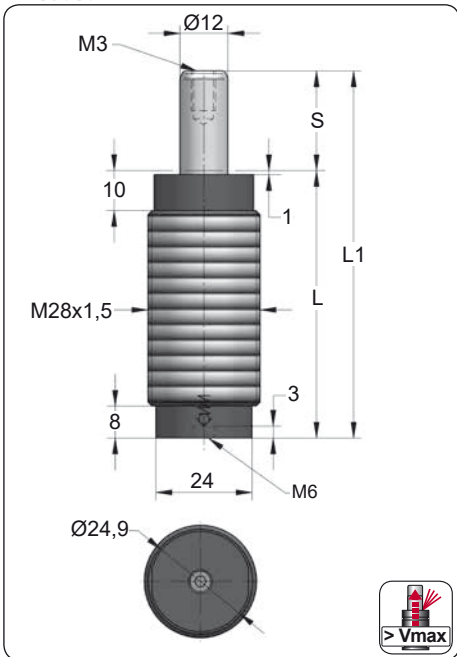
CODE	AFT 310 050 V1	<b>X</b>	A14-032	06 CG 2-Q
ENG ORDER	GAS SPRING	REPAIR KIT	FLANGE	CHARGING ADAPTER
DEU BESTELLUNG	GASDRUCKFEDER	ERSATZTEILSATZ	FLANSCHEN	LADEADAPTER
FRA COMMANDE	RESSORT À GAZ	KIT DE RÉPARATION	BRIDE	RACCORD DE CHARGE
ITA ORDINE	CILINDRO AD AZOTO	KIT DI MANUTENZIONE	FLANGE	ADATTATORE DI CARICO
ESP PEDIDO	RESORTE DE GAS	KIT DE REPARACION	BRIDA	ADAPTADOR DE CARGA
POR PEDIDO	CILINDRO DE GAS	KIT DE MANUTENÇÃO	FLANGE	ADAPTADOR DE CARGA





# AS 200

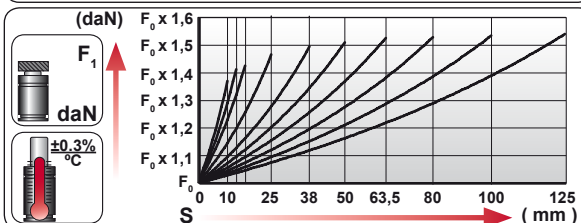
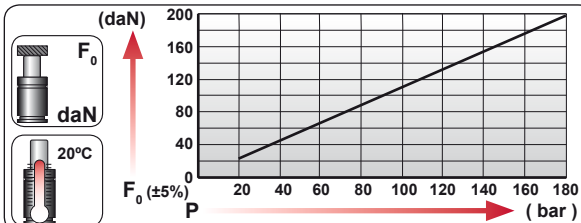
Threaded



CODE	S (mm)	L1 ±0,25 (mm)	L (mm)	Kg.
AS ... 010	10	62	52	0.19
AS ... 012	12.7	67.4	54.7	0.20
AS ... 016	16	74	58	0.21
AS ... 025	25	92	67	0.23
AS ... 038	38	118	80	0.27
AS ... 050	50	142	92	0.30
AS ... 063	63.5	169	105.5	0.34
AS ... 080	80	202	122	0.39
AS ... 100	100	242	142	0.45
AS ... 125	125	292	167	0.52



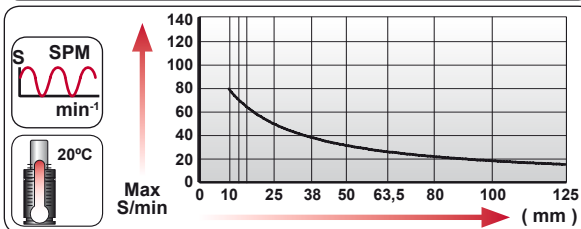
CODE	COLOR	Pressure		Force	
		bar	psi	daN	daN
AS 50 050	Green	45	650	50	75
AS 100 050	Blue	90	1305	100	150
AS 150 050	Red	135	1960	150	225
AS 200 050	Yellow	180	2610	200	300



	ENG ORDER		daN		mm
	DEU BESTELLUNG				
	FRA COMMANDE				
	ITA ORDINE				
	ESP PEDIDO				
POR PEDIDO					

AS 200 50

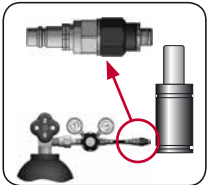
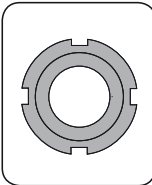
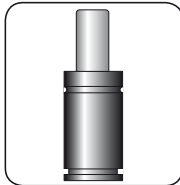
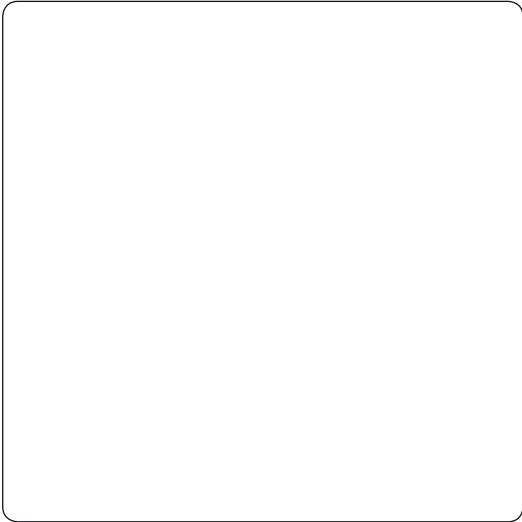
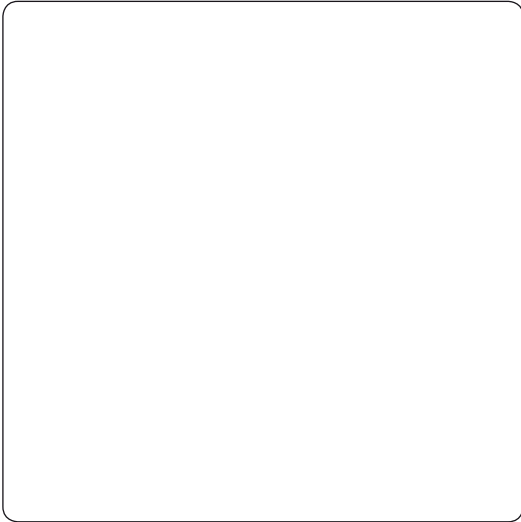
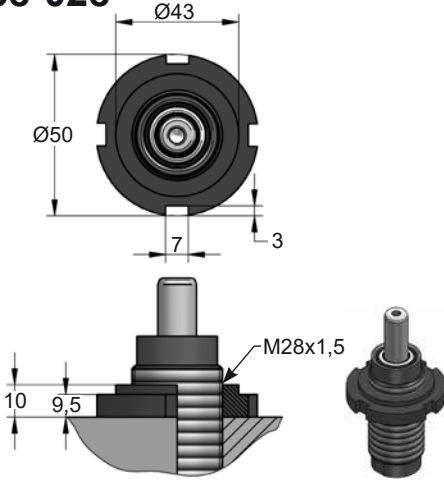
AS 200 050



--	--	--	--	--	--	--	--

N <sub>2</sub>	Smax < 90%	Vmax 1,6 m/s	bar psi	bar psi	°C °F	°C °F	°C °F	
			20 290	180 2610	0 32	80 176		

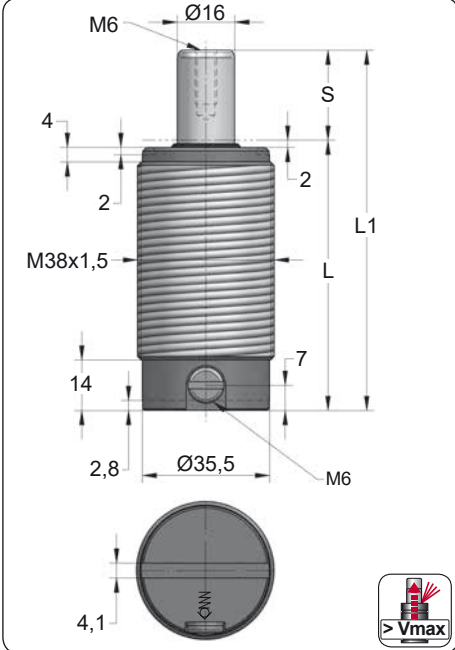
**E58-028**



CODE	AS 200 050	KIT S-XXXXXXX KIT C-XXXXXXX	E28-028	06 CG 2-Q
ENG ORDER	GAS SPRING	REPAIR KIT	FLANGE	CHARGING ADAPTER
DEU BESTELLUNG	GASDRUCKFEDER	ERSATZTEILSATZ	FLANSCHEN	LADEADAPTER
FRA COMMANDE	RESSORT À GAZ	KIT DE RÉPARATION	BRIDE	RACCORD DE CHARGE
ITA ORDINE	CILINDRO AD AZOTO	KIT DI MANUTENZIONE	FLANGE	ADATTATORE DI CARICO
ESP PEDIDO	RESORTE DE GAS	KIT DE REPARACION	BRIDA	ADAPTADOR DE CARGA
POR PEDIDO	CILINDRO DE GÁS	KIT DE MANUTENÇÃO	FLANGE	ADAPTADOR DE CARGA

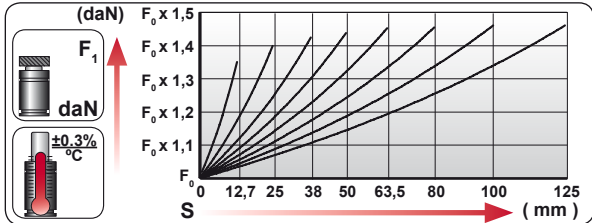
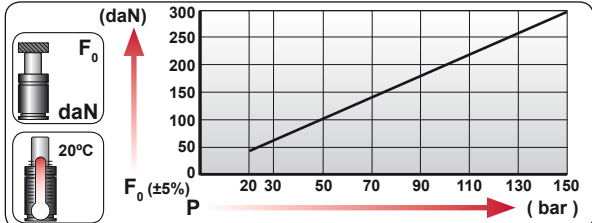
# AS 300

Threaded

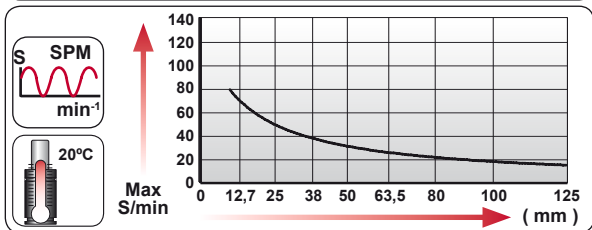


ORDER	S (mm)	L1 ±0,25 (mm)	L (mm)	Kg.
AS 300 012	12.7	75.4	62.7	0.41
AS 300 025	25	100	75	0.47
AS 300 038	38	126	88	0.54
AS 300 050	50	150	100	0.60
AS 300 063	63.5	177	113.5	0.67
AS 300 080	80	210	130	0.75
AS 300 100	100	250	150	0.85
AS 300 125	125	300	175	0.98

CODE				
	bar	psi	daN	daN
AS 300 050	150	2175	300	430
-----	---	---	---	---



	ENG ORDER DEU BESTELLUNG FRA COMMANDE ITA ORDINE ESP PEDIDO POR PEDIDO		
		daN	mm
		AS 300	50
		AS 300 050	



N <sub>2</sub>	S <sub>max</sub> < 90%	V <sub>max</sub> 1,6 m/s	P <sub>min</sub> (20°C)	P <sub>max</sub> (20°C)	T <sub>min</sub>	T <sub>max</sub>	

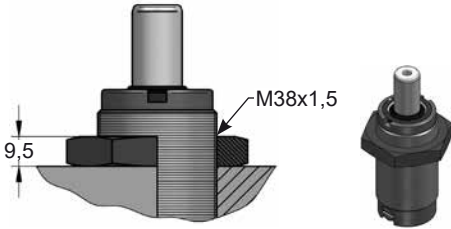
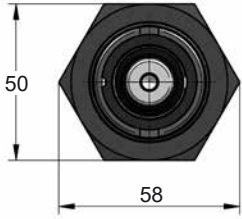
N <sub>2</sub>	S <sub>max</sub> < 90%	V <sub>max</sub> 1,6 m/s	bar psi	bar psi	°C °F	°C °F	°C °F	°C °F	
			20 290	150 2175	0 32	80 176			



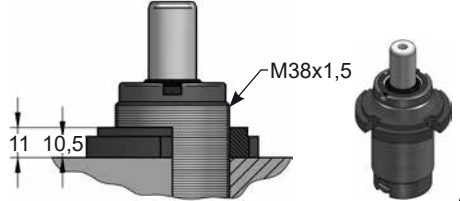
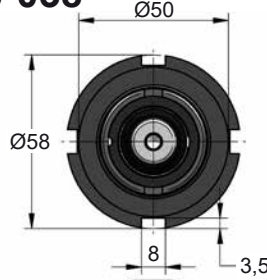
# AS 300 MOUNTS

Threaded

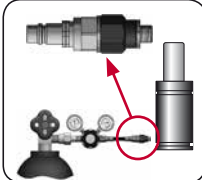
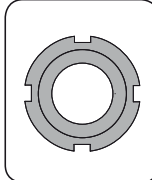
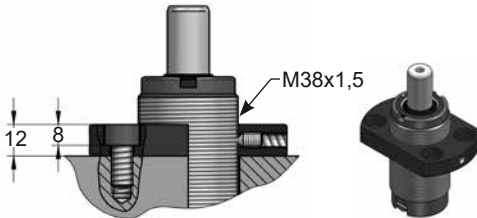
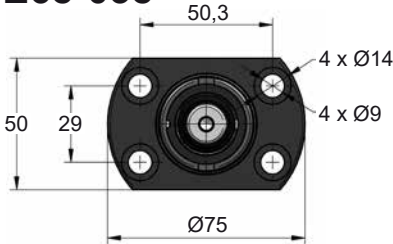
## E23-038



## E58-038



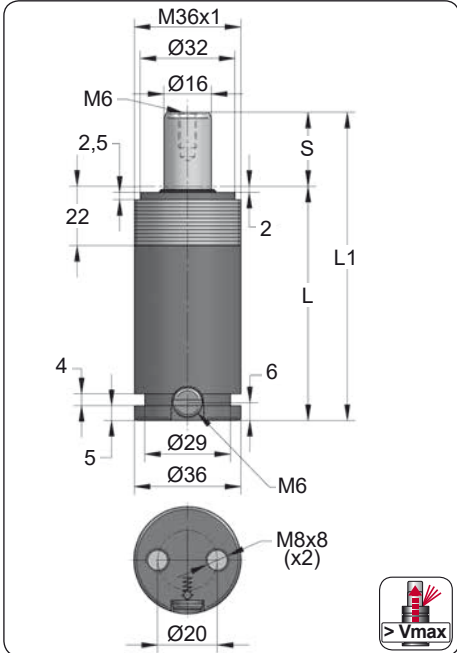
## E68-038



CODE	AS 300 050	KIT S-XXXXXXX KIT C-XXXXXXX	E58-038	06 CG 2-Q
ENG ORDER	GAS SPRING	REPAIR KIT	FLANGE	CHARGING ADAPTER
DEU BESTELLUNG	GASDRUCKFEDER	ERSATZTEILSATZ	FLANSCHEN	LADEADAPTER
FRA COMMANDE	RESSORT À GAZ	KIT DE RÉPARATION	BRIDE	RACCORD DE CHARGE
ITA ORDINE	CILINDRO AD AZOTO	KIT DI MANUTENZIONE	FLANGE	ADATTATORE DI CARICO
ESP PEDIDO	RESORTE DE GAS	KIT DE REPARACION	BRIDA	ADAPTADOR DE CARGA
POR PEDIDO	CILINDRO DE GAS	KIT DE MANUTENÇÃO	FLANGE	ADAPTADOR DE CARGA

# ASP 250

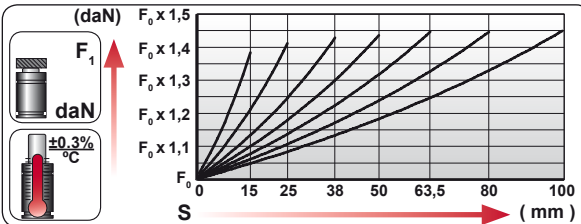
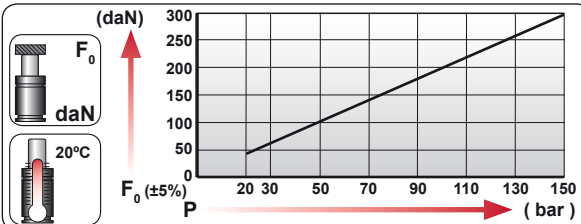
Threaded



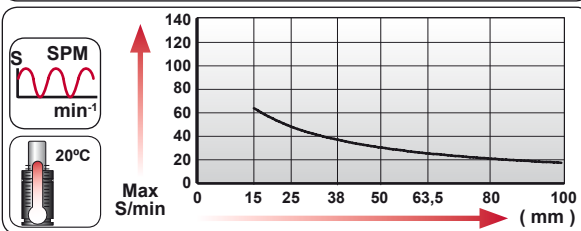
ORDER	S (mm)	L1 ±0,25 (mm)	L (mm)	Kg.
ASP 250 015	15	84	69	0.40
ASP 250 025	25	104	79	0.45
ASP 250 038	38	130	92	0.50
ASP 250 050	50	154	104	0.55
ASP 250 063	63.5	181	117.5	0.60
ASP 250 080	80	214	134	0.67
ASP 250 100	100	254	154	0.75



CODE				
	bar	psi	daN	daN
ASP 250 050	125	1810	250	360
-----	---	---	---	---



	ENG ORDER DEU BESTELLUNG FRA COMMANDE ITA ORDINE ESP PEDIDO POR PEDIDO		
		daN	mm
		ASP 250	50
		ASP 250 050	

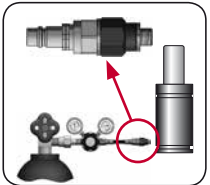
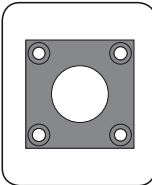
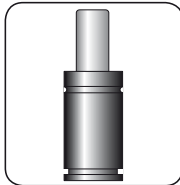
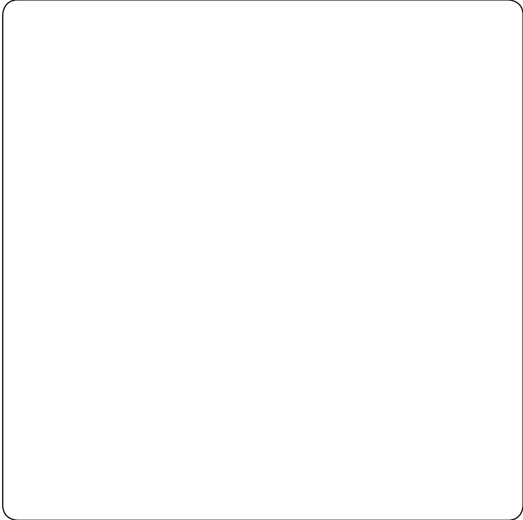
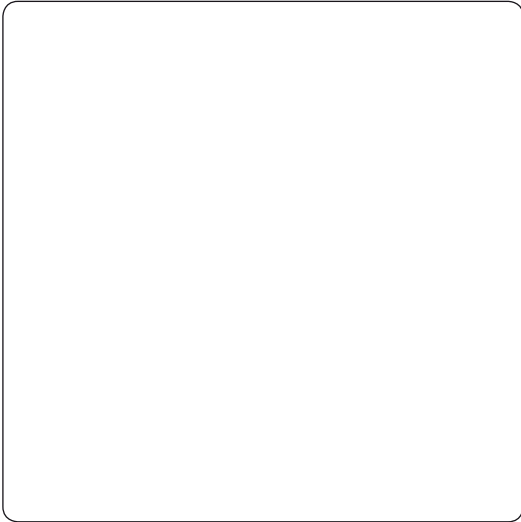
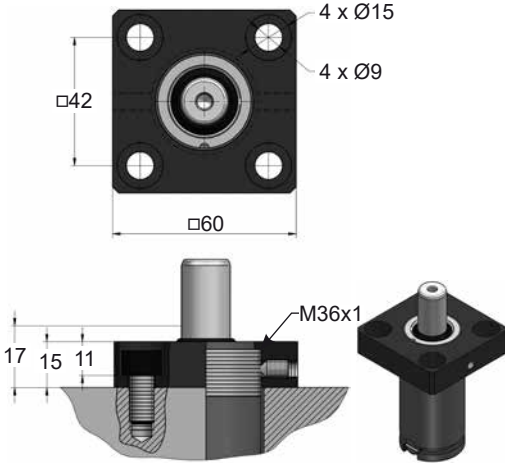


N <sub>2</sub>	S <sub>max</sub> < 90%	V <sub>max</sub> 1,6 m/s	P <sub>min</sub> (20°C)	P <sub>max</sub> (20°C)	T <sub>min</sub>	T <sub>max</sub>	

bar	psi	bar	psi	°C	°F	°C	°F	
20	290	150	2175	0	32	80	176	



**E03-036**

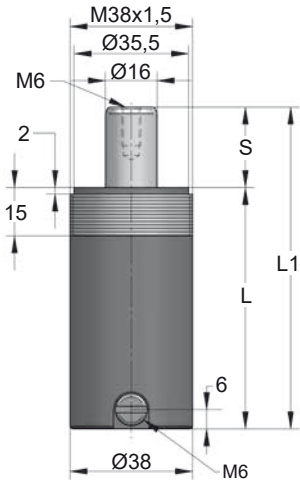


CODE	ASP 250 050	KIT S-XXXXXXX KIT C-XXXXXXX	E03-036	06 CG 2-Q
ENG ORDER	GAS SPRING	REPAIR KIT	FLANGE	CHARGING ADAPTER
DEU BESTELLUNG	GASDRUCKFEDER	ERSATZTEILSATZ	FLANSCHEN	LADEADAPTER
FRA COMMANDE	RESSORT À GAZ	KIT DE RÉPARATION	BRIDE	RACCORD DE CHARGE
ITA ORDINE	CILINDRO AD AZOTO	KIT DI MANUTENZIONE	FLANGE	ADATTATORE DI CARICO
ESP PEDIDO	RESORTE DE GAS	KIT DE REPARACION	BRIDA	ADAPTADOR DE CARGA
POR PEDIDO	CILINDRO DE GÁS	KIT DE MANUTENÇÃO	FLANGE	ADAPTADOR DE CARGA

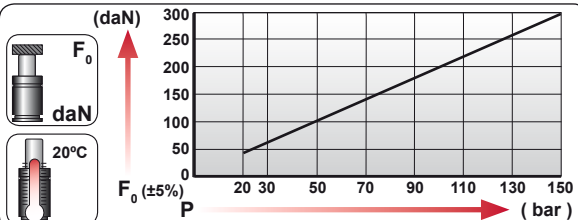
# ASP 300

Threaded

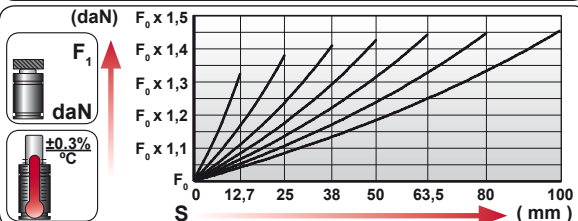


ORDER	S (mm)	L1 ±0,25 (mm)	L (mm)	Kg.
ASP 300 012	12.7	75.4	62.7	0.46
ASP 300 025	25	100	75	0.52
ASP 300 038	38	126	88	0.59
ASP 300 050	50	150	100	0.65
ASP 300 063	63.5	177	113.5	0.71
ASP 300 080	80	210	130	0.80
ASP 300 100	100	250	150	0.90



CODE				
		bar psi	F <sub>0</sub> daN	F <sub>1</sub> daN
ASP 300 050		150 2175	300	430
-----		-----	-----	-----



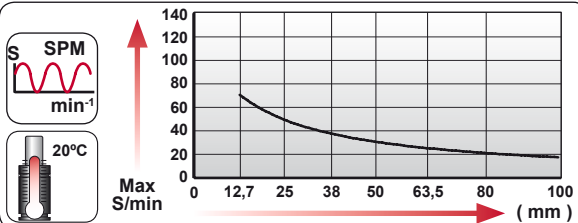
ENG ORDER	DEU BESTELLUNG	FRA COMMANDE	ITA ORDINE	ESP PEDIDO	POR PEDIDO

ASP	300	50
F <sub>0</sub> daN		S mm

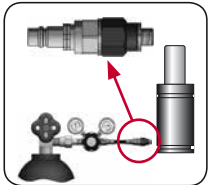
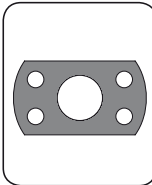
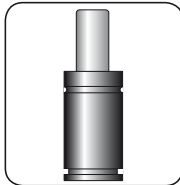
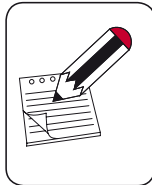
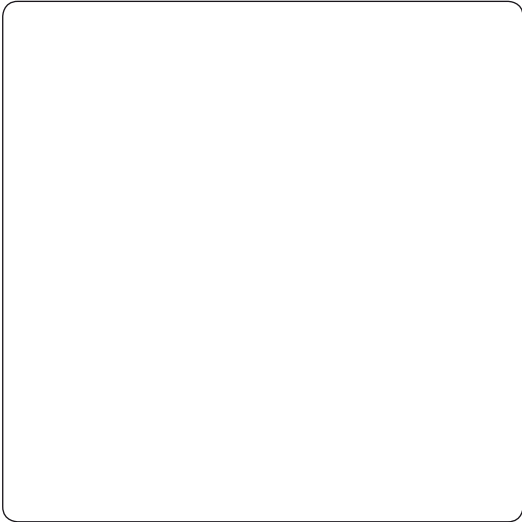
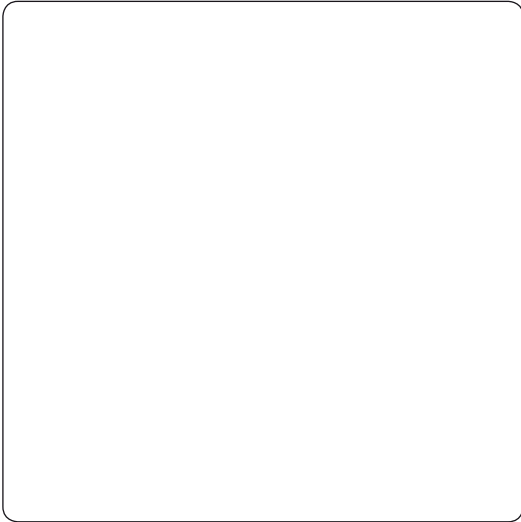
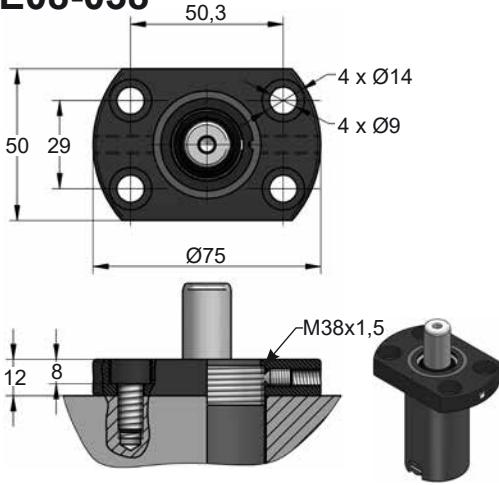
ASP 300 050



N <sub>2</sub>	S <sub>max</sub> < 90%	V <sub>max</sub> 1,6 m/s	P <sub>min</sub> (20°C)	P <sub>max</sub> (20°C)	T <sub>min</sub>	T <sub>max</sub>	

bar psi	bar psi	°C °F	°C °F	<b>X</b>	
20 290	150 2175	0 32	80 176		

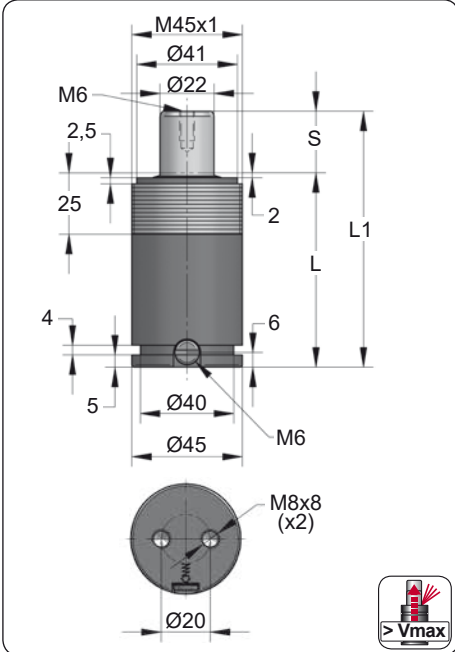
**E08-038**



CODE	ASP 300 050	KIT S-XXXXXXX KIT C-XXXXXXX	E08-038	06 CG 2-Q
ENG ORDER	GAS SPRING	REPAIR KIT	FLANGE	CHARGING ADAPTER
DEU BESTELLUNG	GASDRUCKFEDER	ERSATZTEILSATZ	FLANSCHEN	LADEADAPTER
FRA COMMANDE	RESSORT À GAZ	KIT DE RÉPARATION	BRIDE	RACCORD DE CHARGE
ITA ORDINE	CILINDRO AD AZOTO	KIT DI MANUTENZIONE	FLANGE	ADATTATORE DI CARICO
ESP PEDIDO	RESORTE DE GAS	KIT DE REPARACION	BRIDA	ADAPTADOR DE CARGA
POR PEDIDO	CILINDRO DE GÁS	KIT DE MANUTENÇÃO	FLANGE	ADAPTADOR DE CARGA

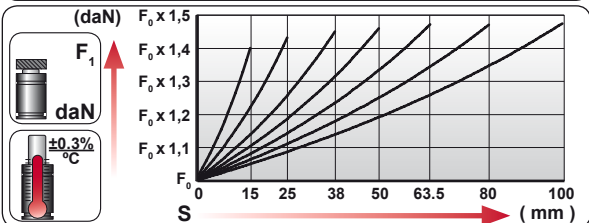
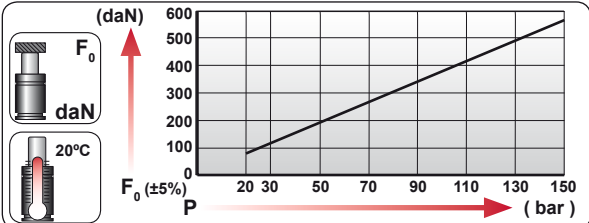
# ASP 500 V1

Threaded



ORDER	S (mm)	L1 ±0,25 (mm)	L (mm)	Kg.
ASP 500 015 V1	15	84	69	0.62
ASP 500 025 V1	25	104	79	0.67
ASP 500 038 V1	38	130	92	0.74
ASP 500 050 V1	50	154	104	0.81
ASP 500 063 V1	63.5	181	117.5	0.88
ASP 500 080 V1	80	214	134	0.98
ASP 500 100 V1	100	254	154	1.09

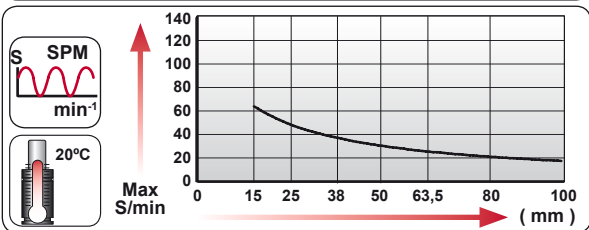
CODE				
	bar	psi	daN	daN
ASP 500 050 V1	130	1885	495	725
-----	---	---	---	---



	ENG ORDER		
	DEU BESTELLUNG	daN	mm
	FRA COMMANDE		
	ITA ORDINE		
	ESP PEDIDO		
POR PEDIDO			

ASP 500 50

ASP 500 050 V1

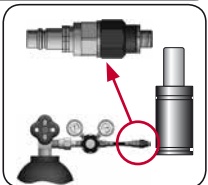
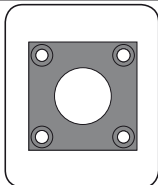
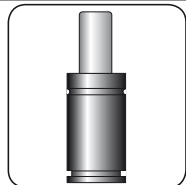
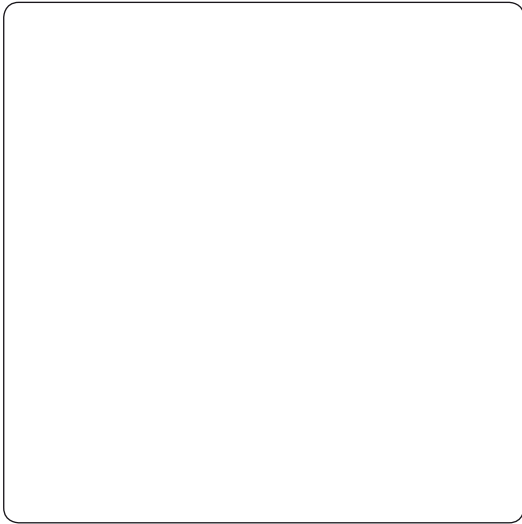
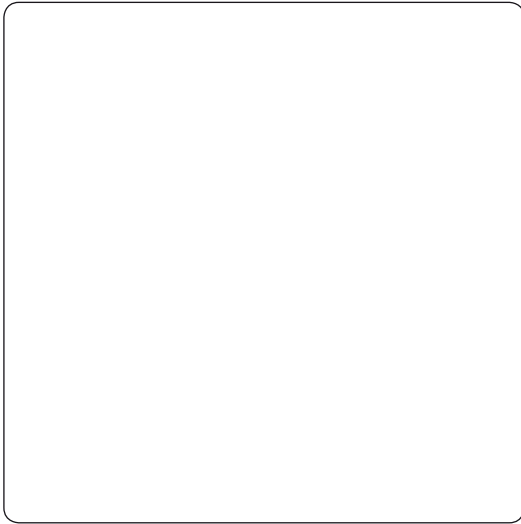
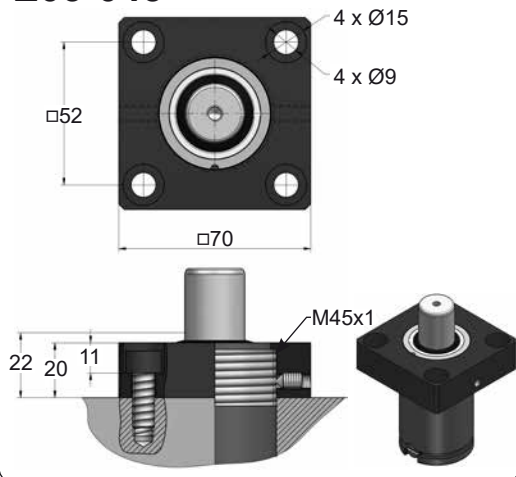


N <sub>2</sub>	S <sub>max</sub> < 90%	V <sub>max</sub> 1,6 m/s	P <sub>min</sub> (20°C)	P <sub>max</sub> (20°C)	T <sub>min</sub>	T <sub>max</sub>	

bar	psi	bar	psi	°C	°F	°C	°F	<b>X</b>
20	290	150	2175	0	32	80	176	

Threaded

## E03-045



CODE	ASP 500 050 V1	KIT S-XXXXXXX KIT C-XXXXXXX	E03-045	06 CG 2-Q
ENG ORDER	GAS SPRING	REPAIR KIT	FLANGE	CHARGING ADAPTER
DEU BESTELLUNG	GASDRUCKFEDER	ERSATZTEILSATZ	FLANSCHEN	LADEADAPTER
FRA COMMANDE	RESSORT À GAZ	KIT DE RÉPARATION	BRIDE	RACCORD DE CHARGE
ITA ORDINE	CILINDRO AD AZOTO	KIT DI MANUTENZIONE	FLANGE	ADATTATORE DI CARICO
ESP PEDIDO	RESORTE DE GAS	KIT DE REPARACION	BRIDA	ADAPTADOR DE CARGA
POR PEDIDO	CILINDRO DE GÁS	KIT DE MANUTENÇÃO	FLANGE	ADAPTADOR DE CARGA

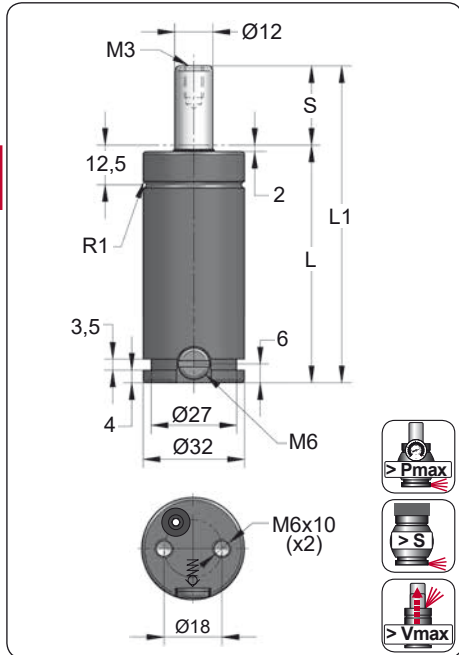




# AG 150

150

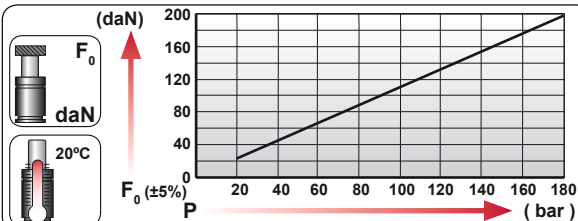
BMW B2 4006		PSA E24.54.815.G
MB B8 3180 220 000 001	GM 90.25.00	RENAULT EM24.54.700
VW 39D 878		



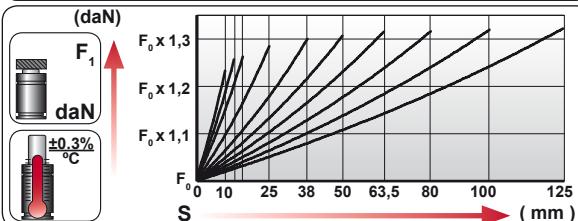
ORDER	S (mm)	L1 ±0.25 (mm)	L (mm)	Kg.
AG --- 010	10	70	60	0.29
AG --- 012	12.7	75.4	62.7	0.30
AG --- 016	16	82	66	0.31
AG --- 025	25	100	75	0.34
AG --- 038	38	126	88	0.38
AG --- 050	50	150	100	0.42
AG --- 063	63.5	177	113.5	0.47
AG --- 080	80	210	130	0.52
AG --- 100	100	250	150	0.59
AG --- 125	125	300	175	0.67



ORDER	COLOR	bar	psi	F <sub>0</sub> daN	F <sub>1</sub> daN
AG 50 050	Green	45	650	50	65
AG 100 050	Blue	90	1305	100	130
AG 150 050	Red	135	1960	150	195
AG 200 050	Yellow	180	2610	200	260
AG XXX 050	Black	20-180	290-2610	23 - 200	35 - 305

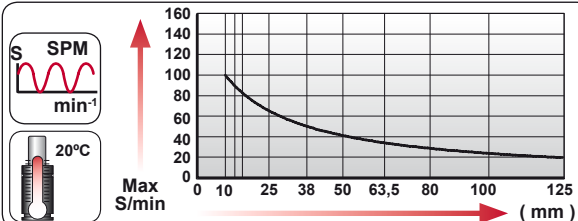


CODE	Pressure Gauge	bar	psi	F <sub>0</sub> daN	F <sub>1</sub> daN
AG 150 050		135	1960	150	19
AG-H 150 050		0	0	---	---



**EQUIPPED WITH VDI - SAFETY**

	ENG ORDER		
	DEU BESTELLUNG	daN	mm
	FRA COMMANDE		
	ITA ORDINE		
	ESP PEDIDO		
POR PEDIDO			
<b>AG 150 050</b>	<b>150</b>	<b>50</b>	



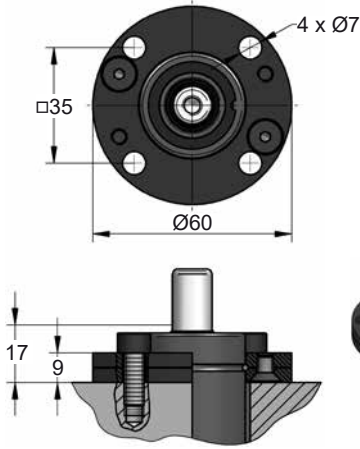
N <sub>2</sub>	Smax < 90%	Vmax 1,6 m/s	Pmin (20°C)	Pmax (20°C)	Tmin	Tmax	600 CP-

bar	psi	bar	psi	°C	°F	°C	°F	
20	290	180	2610	0	32	80	176	

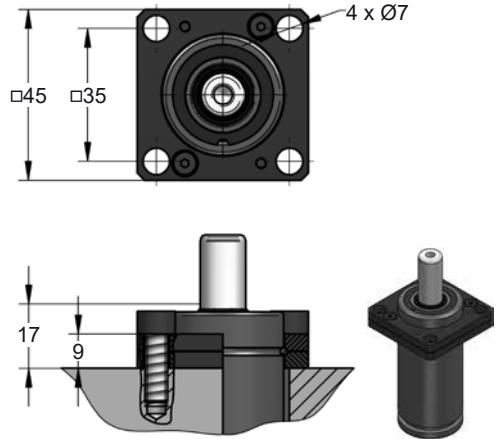


150

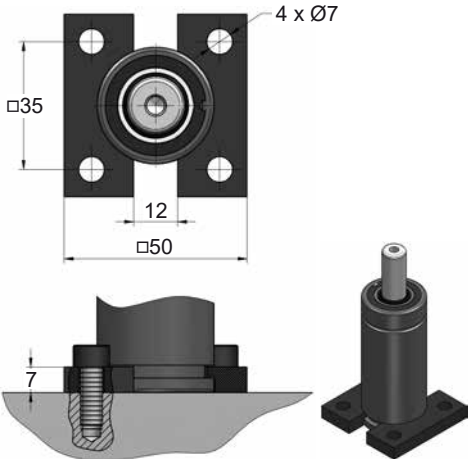
## A14-032



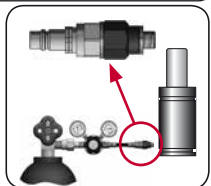
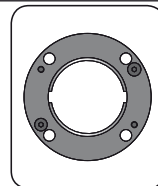
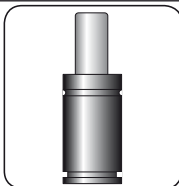
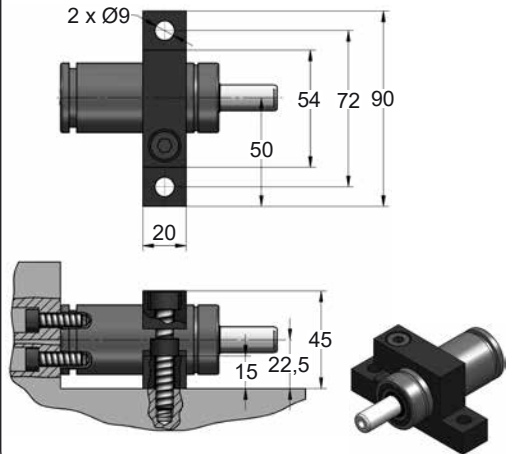
## A34-032



## C20-032



## D02-032

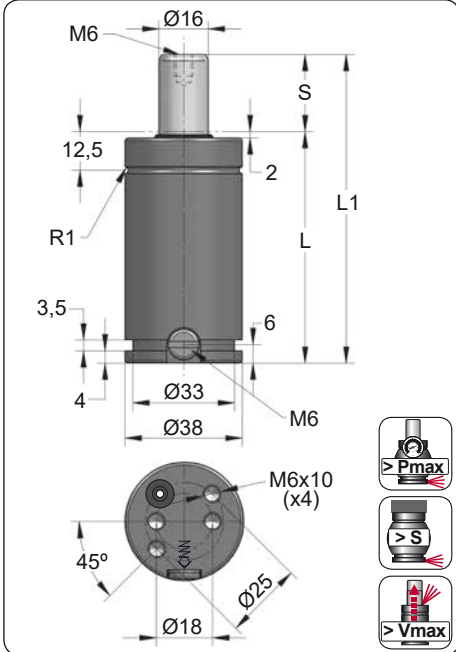


CODE	AG 150 050	KIT S-XXXXXXX KIT C-XXXXXXX	A14-032	06 CG 2-Q
ENG ORDER	GAS SPRING	REPAIR KIT	FLANGE	CHARGING ADAPTER
DEU BESTELLUNG	GASDRUCKFEDER	ERSATZTEILSATZ	FLANSCH	LADEADAPTER
FRA COMMANDE	RESSORT À GAZ	KIT DE RÉPARATION	BRIDE	RACCORD DE CHARGE
ITA ORDINE	CILINDRO AD AZOTO	KIT DI MANUTENZIONE	FLANGE	ADATTATORE DI CARICO
ESP PEDIDO	RESORTE DE GAS	KIT DE REPARACION	BRIDA	ADAPTADOR DE CARGA
POR PEDIDO	CILINDRO DE GAS	KIT DE MANUTENÇÃO	FLANGE	ADAPTADOR DE CARGA

# AG 250

ISO

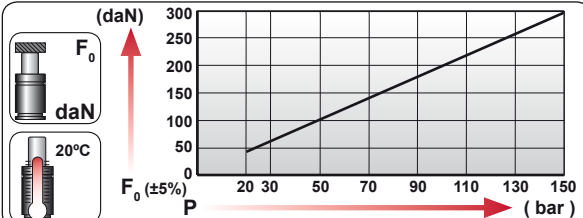
BMW B2 4006	FORD W-DX35-6203	PSA E24.54.815.G
	GM 90.25.00	RENAULT EM24.54.700
VW 39D 878		NISSAN K32S0



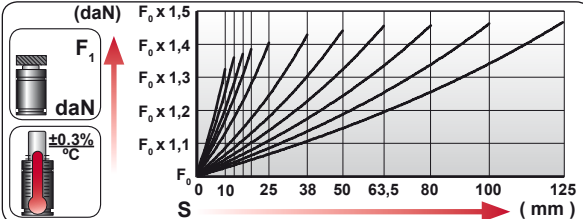
ORDER	S (mm)	L1 ±0.25 (mm)	L (mm)	Kg.
AG 250 010	10	70	60	0.41
AG 250 012	12.7	75.4	62.7	0.42
AG 250 016	16	82	66	0.43
AG 250 019	19	88	69	0.44
AG 250 025	25	100	75	0.47
AG 250 038	38	126	88	0.53
AG 250 050	50	150	100	0.58
AG 250 063	63.5	177	113.5	0.64
AG 250 080	80	210	130	0.71
AG 250 100	100	250	150	0.80
AG 250 125	125	300	175	0.90



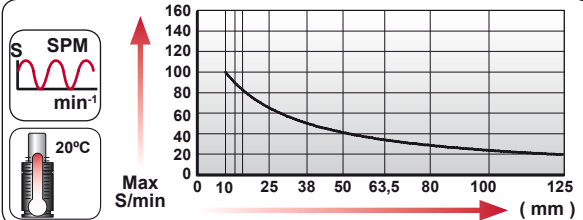
CODE				
	bar	psi	daN	daN
AG 250 050	125	1810	250	360
AG-H 250 050	0	0	---	---



**EQUIPPED WITH VDI - SAFETY**



	ENG ORDER		
	DEU BESTELLUNG	daN	mm
	FRA COMMANDE		
	ITA ORDINE		
	ESP PEDIDO		
POR PEDIDO			
<b>AG 250 050</b>	<b>250</b>	<b>50</b>	



N <sub>2</sub>	S <sub>max</sub> < 90%	V <sub>max</sub> 1,6 m/s	P <sub>min</sub> (20°C)	P <sub>max</sub> (20°C)	T <sub>min</sub>	T <sub>max</sub>	

bar	psi	bar	psi	°C	°F	°C	°F	600 CP-
20	290	150	2175	0	32	80	176	

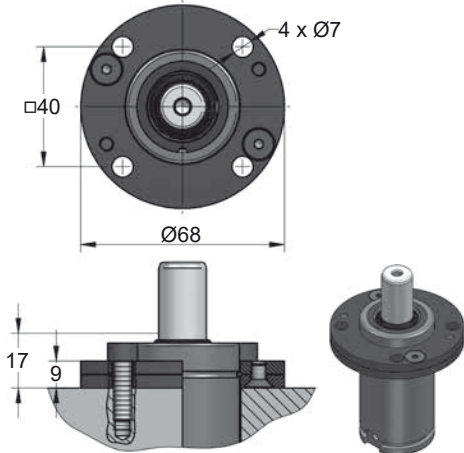


# AG 250 MOUNTS

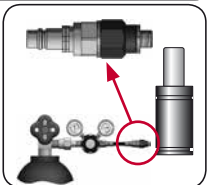
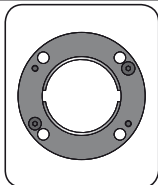
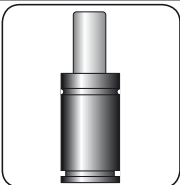
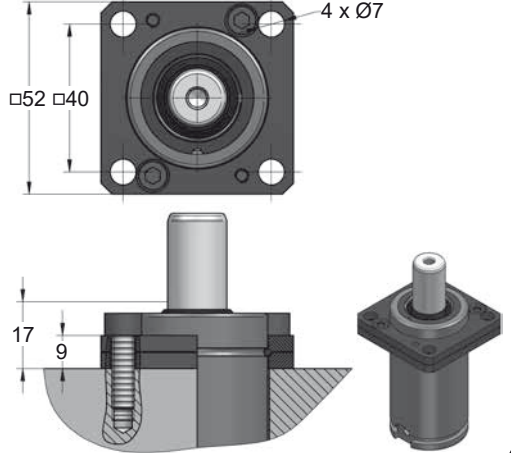
ISO

s mm mm L1 mm								
	Ø38	Ø38	Ø38	Ø38	Ø38	Ø38	Ø38	Ø38
	L1=130 L1=140	L1=150	L1=132 L1=137 L1=150	L1=150 L1=155	L1=150	L1=155 L1=160	L1=155 L1=160	L1=230
MODEL	<b>X</b>	CW 500 KZ 500	AS 300	CT 550 CK 570 FD 300	CD 500 CM 500	<b>AG 250</b>	CPH 850 CP 1000	CS 1000
SERIES	MINI 	COMPACT HEIGHT 	THREADED 	LOW PROFILE 	HEAVY DUTY 	ISO 	HEAVY LOAD 	POWER COMPACT STROKE 

## A14-038



## A34-038



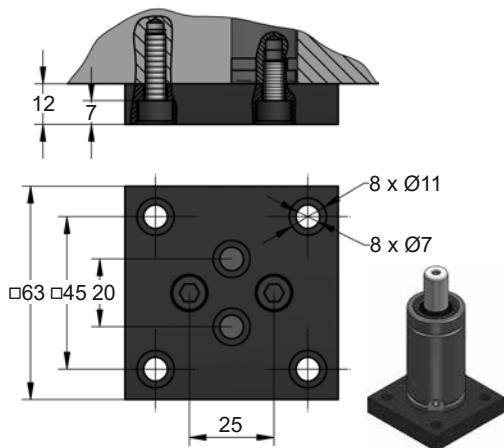
CODE	<b>AG 250 050</b>	<b>KIT S-XXXXXXX</b> <b>KIT C-XXXXXXX</b>	<b>A14-038</b>	<b>06 CG 2-Q</b>
ENG ORDER	GAS SPRING	REPAIR KIT	FLANGE	CHARGING ADAPTER
DEU BESTELLUNG	GASDRUCKFEDER	ERSATZTEILSATZ	FLANSCHEN	LADEADAPTER
FRA COMMANDE	RESSORT À GAZ	KIT DE RÉPARATION	BRIDE	RACCORD DE CHARGE
ITA ORDINE	CILINDRO AD AZOTO	KIT DI MANUTENZIONE	FLANGE	ADATTATORE DI CARICO
ESP PEDIDO	RESORTE DE GAS	KIT DE REPARACION	BRIDA	ADAPTADOR DE CARGA
POR PEDIDO	CILINDRO DE GÁS	KIT DE MANUTENÇÃO	FLANGE	ADAPTADOR DE CARGA

# AG 250 MOUNTS

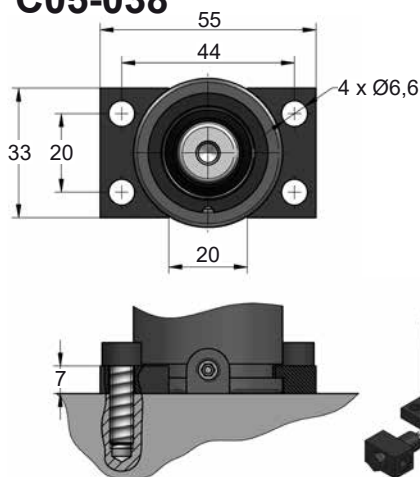
**AZOL**  
**GAS**

150

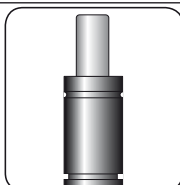
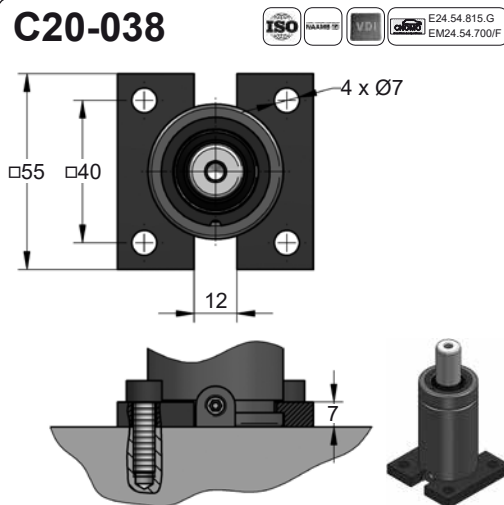
## B76-038



## C05-038



## C20-038

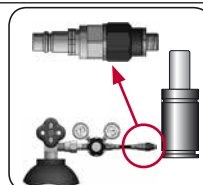
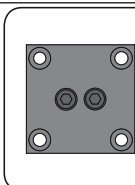


SEAL

KIT S-XXXXXXX

CARTRIDGE

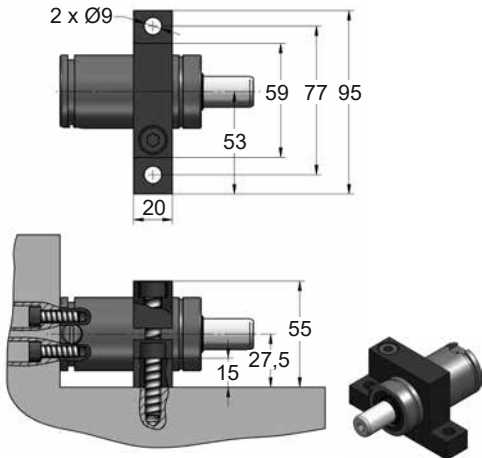
KIT C-XXXXXXX



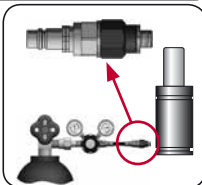
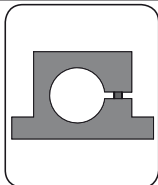
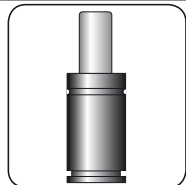
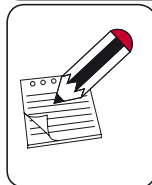
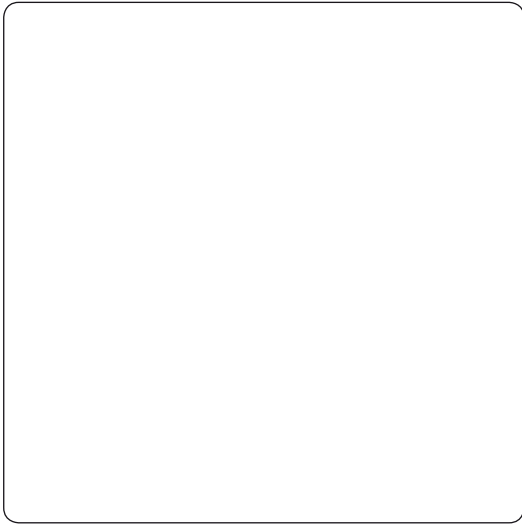
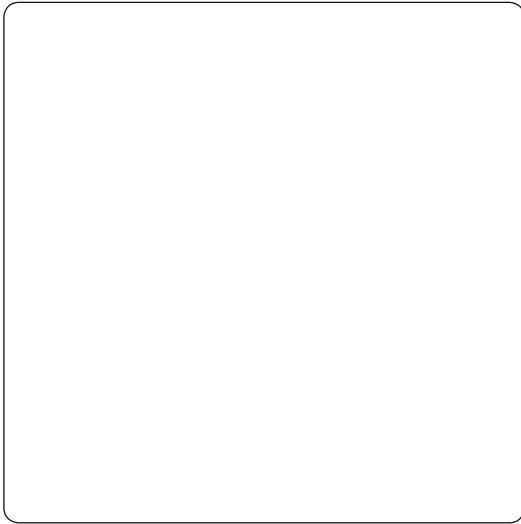
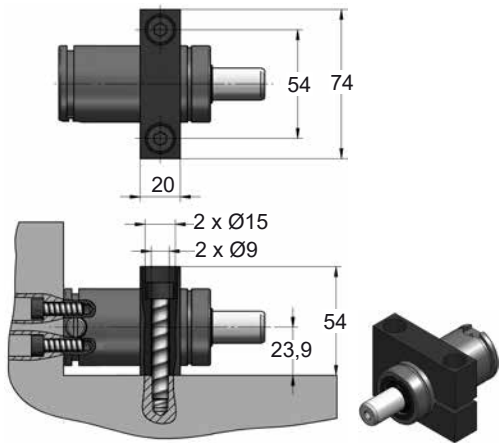
CODE	AG 250 050	KIT S-XXXXXXX KIT C-XXXXXXX	B76-038	06 CG 2-Q
ENG ORDER	GAS SPRING	REPAIR KIT	FLANGE	CHARGING ADAPTER
DEU BESTELLUNG	GASDRUCKFEDER	ERSATZTEILSATZ	FLANSCHEN	LADEADAPTER
FRA COMMANDE	RESSORT À GAZ	KIT DE RÉPARATION	BRIDE	RACCORD DE CHARGE
ITA ORDINE	CILINDRO AD AZOTO	KIT DI MANUTENZIONE	FLANGE	ADATTATORE DI CARICO
ESP PEDIDO	RESORTE DE GAS	KIT DE REPARACION	BRIDA	ADAPTADOR DE CARGA
POR PEDIDO	CILINDRO DE GAS	KIT DE MANUTENÇÃO	FLANGE	ADAPTADOR DE CARGA

## D02-038

E24.54.815.G



## D67-038

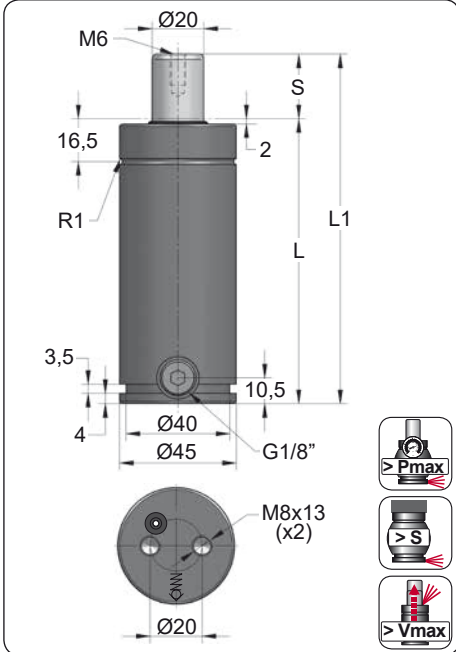


CODE	AG 250 050	KIT S-XXXXXXX KIT C-XXXXXXX	D02-038	06 CG 2-Q
ENG ORDER	GAS SPRING	REPAIR KIT	FLANGE	CHARGING ADAPTER
DEU BESTELLUNG	GASDRUCKFEDER	ERSATZTEILSATZ	FLANSCH	LADEADAPTER
FRA COMMANDE	RESSORT À GAZ	KIT DE RÉPARATION	BRIDE	RACCORD DE CHARGE
ITA ORDINE	CILINDRO AD AZOTO	KIT DI MANUTENZIONE	FLANGE	ADATTATORE DI CARICO
ESP PEDIDO	RESORTE DE GAS	KIT DE REPARACION	BRIDA	ADAPTADOR DE CARGA
POR PEDIDO	CILINDRO DE GÁS	KIT DE MANUTENÇÃO	FLANGE	ADAPTADOR DE CARGA

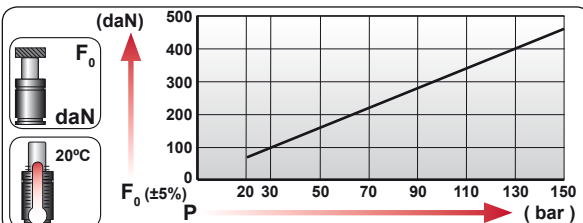
# AG 500

150

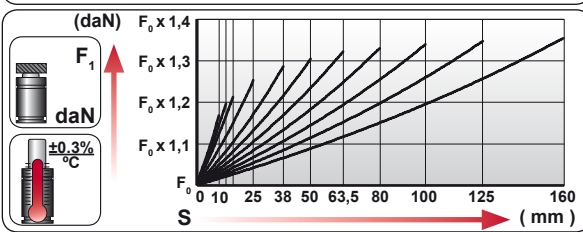
BMW B2 4006		PSA E24.54.815.G
MB B8 3180 220 000 001	GM 90.25.00	RENAULT EM24.54.700
VW 39D 878		NISSAN K32S0



ORDER	S (mm)	L1 ±0.25 (mm)	L (mm)	Kg.
AG 500 010	10	105	95	0.88
AG 500 012	12.7	110.4	97.7	0.89
AG 500 016	16	117	101	0.91
AG 500 025	25	135	110	0.95
AG 500 038	38	161	123	1.02
AG 500 050	50	185	135	1.08
AG 500 063	63.5	212	148.5	1.14
AG 500 080	80	245	165	1.23
AG 500 100	100	285	185	1.33
AG 500 125	125	335	210	1.45
AG 500 160	160	405	245	1.63

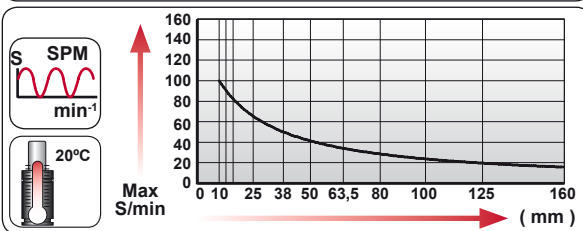


CODE	Pressure Gauge	bar	psi	F <sub>0</sub> daN	F <sub>1</sub> daN
AG 500 050		150	2175	470	615
AG-H 500 050		0	0	---	---



**EQUIPPED WITH VDI - SAFETY**

	ENG ORDER		F <sub>0</sub>		S
	DEU BESTELLUNG	bar	daN	daN	mm
	FRA COMMANDE	psi			
	ITA ORDINE				
	ESP PEDIDO				
POR PEDIDO					
<b>AG 500 050</b>		<b>500</b>	<b>50</b>		



N <sub>2</sub>	S <sub>max</sub> < 90%	V <sub>max</sub> 1,6 m/s	P <sub>min</sub> (20°C)	P <sub>max</sub> (20°C)	T <sub>min</sub>	T <sub>max</sub>	600 CP-

bar	psi	bar	psi	°C	°F	°C	°F
20	290	150	2175	0	32	80	176

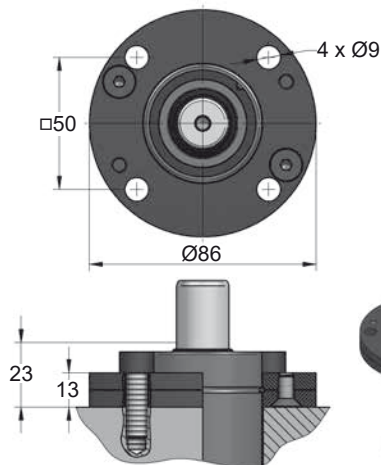


# AG 500 MOUNTS

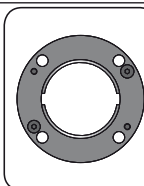
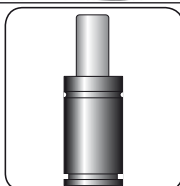
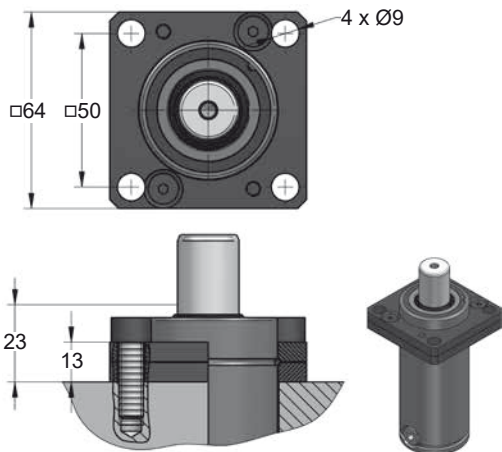
ISO

s mm mm mm	<p>50</p> <p>Ø45</p> <p>L1=132</p> <p>L1=147</p>	<p>50</p> <p>Ø45</p> <p>L1=150</p> <p>L1=150</p>	<p>50</p> <p>Ø45</p> <p>L1=160</p> <p>L1=185</p>	<p>50</p> <p>Ø45</p> <p>L1=185</p>	<p>50</p> <p>Ø45</p> <p>L1=160</p>	<p>50</p> <p>Ø45</p> <p>L1=160</p>	<p>50</p> <p>Ø45</p> <p>L1=160</p>	<p>50</p> <p>Ø45</p> <p>L1=160</p>
MODEL	<b>X</b>	CW 750 KZ 750	<b>X</b>	CK 750 FD 500	CM 600 CD 700	<b>AG 500</b>	CPH 1250	<b>X</b>
SERIES	MINI	COMPACT HEIGHT	THREADED	LOW PROFILE	HEAVY DUTY	ISO	HEAVY LOAD	POWER COMPACT STROKE

## A14-045



## A34-045



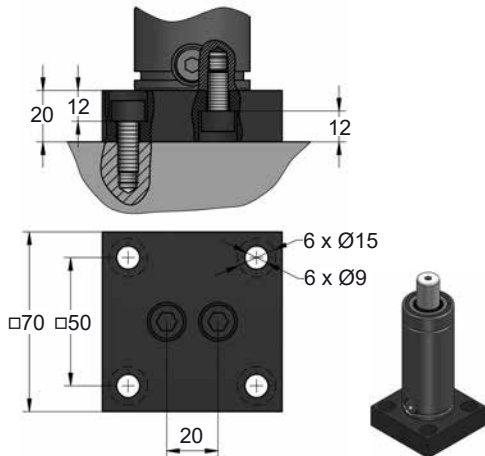
CODE	<b>AG 500 050</b>	<b>KIT S-XXXXXXX</b> <b>KIT C-XXXXXXX</b>	<b>A14-045</b>	<b>18 CG 1-Q</b>
ENG ORDER	GAS SPRING	REPAIR KIT	FLANGE	CHARGING ADAPTER
DEU BESTELLUNG	GASDRUCKFEDER	ERSATZTEILSATZ	FLANSCHEN	LADEADAPTER
FRA COMMANDE	RESSORT À GAZ	KIT DE RÉPARATION	BRIDE	RACCORD DE CHARGE
ITA ORDINE	CILINDRO AD AZOTO	KIT DI MANUTENZIONE	FLANGE	ADATTATORE DI CARICO
ESP PEDIDO	RESORTE DE GAS	KIT DE REPARACION	BRIDA	ADAPTADOR DE CARGA
POR PEDIDO	CILINDRO DE GÁS	KIT DE MANUTENÇÃO	FLANGE	ADAPTADOR DE CARGA

# AG 500 MOUNTS

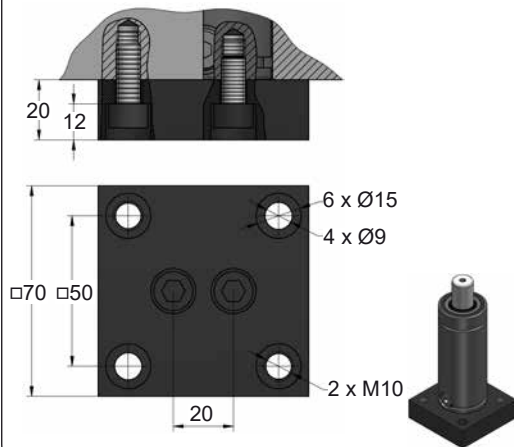
150

**AZOL  
GAS**

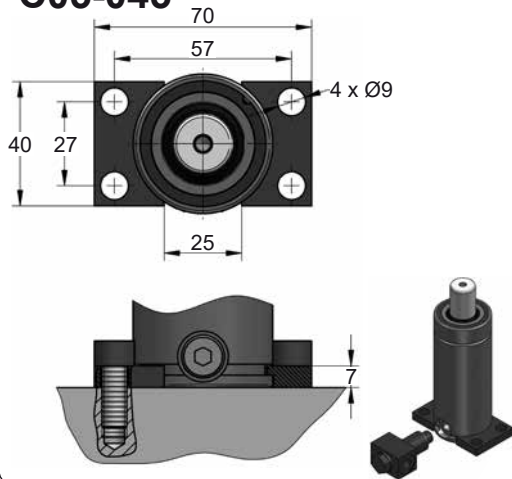

## B21-045



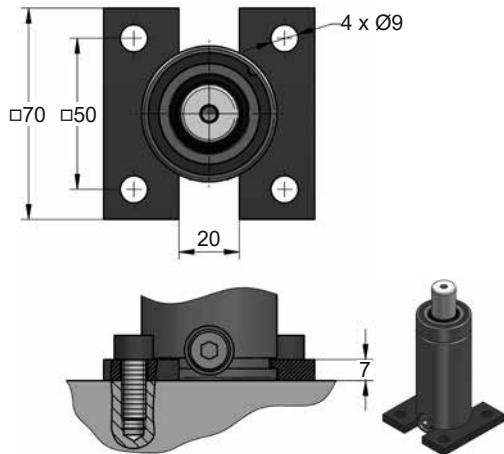
## B76-045



## C05-045



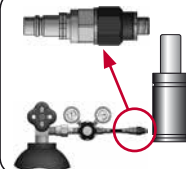
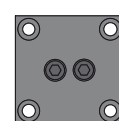
## C20-045



**SEAL  
KIT S-XXXXXXX**



**CARTRIDGE  
KIT C-XXXXXXX**

CODE

AG 500 050

**KIT S-XXXXXXX  
KIT C-XXXXXXX**

B21-045

18 CG 1-Q

ENG ORDER  
DEU BESTELLUNG  
FRA COMMANDE  
ITA ORDINE  
ESP PEDIDO  
POR PEDIDO

GAS SPRING  
GASDRUCKFEDER  
RESSORT À GAZ  
CILINDRO AD AZOTO  
RESORTE DE GAS  
CILINDRO DE GAS

REPAIR KIT  
ERSATZTEILSATZ  
KIT DE RÉPARATION  
KIT DI MANUTENZIONE  
KIT DE REPARACION  
KIT DE MANUTENÇÃO

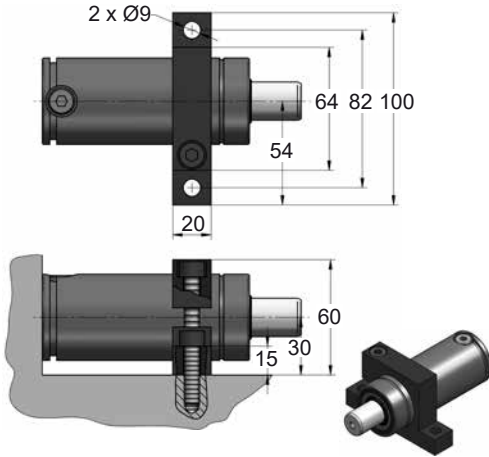
FLANGE  
FLANSCH  
BRIDE  
FLANGE  
BRIDA  
FLANGE

CHARGING ADAPTER  
LADEADAPTER  
RACCORD DE CHARGE  
ADATTATORE DI CARICO  
ADAPTADOR DE CARGA  
ADAPTADOR DE CARGA



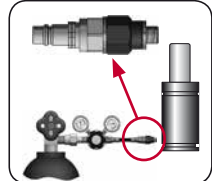
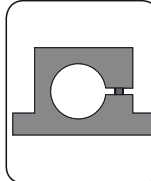
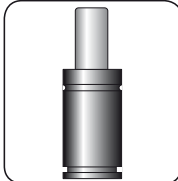
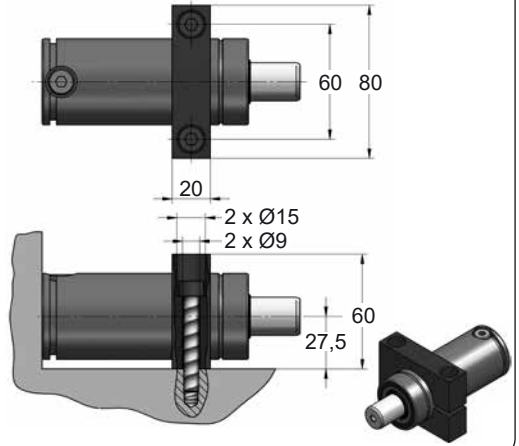
150

## D02-045



## D67-045

VDI

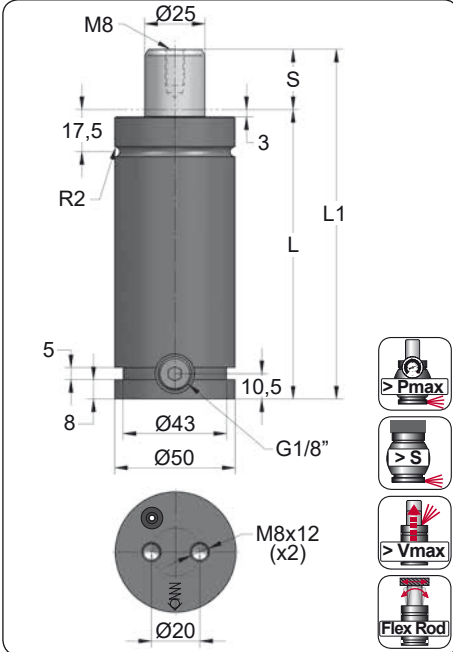


CODE	AG 500 050	KIT S-XXXXXXX KIT C-XXXXXXX	D02-045	18 CG 1-Q
ENG ORDER	GAS SPRING	REPAIR KIT	FLANGE	CHARGING ADAPTER
DEU BESTELLUNG	GASDRUCKFEDER	ERSATZTEILSATZ	FLANSCHEN	LADEADAPTER
FRA COMMANDE	RESSORT À GAZ	KIT DE RÉPARATION	BRIDE	RACCORD DE CHARGE
ITA ORDINE	CILINDRO AD AZOTO	KIT DI MANUTENZIONE	FLANGE	ADATTATORE DI CARICO
ESP PEDIDO	RESORTE DE GAS	KIT DE REPARACION	BRIDA	ADAPTADOR DE CARGA
POR PEDIDO	CILINDRO DE GÁS	KIT DE MANUTENÇÃO	FLANGE	ADAPTADOR DE CARGA

# AG 750

ISO

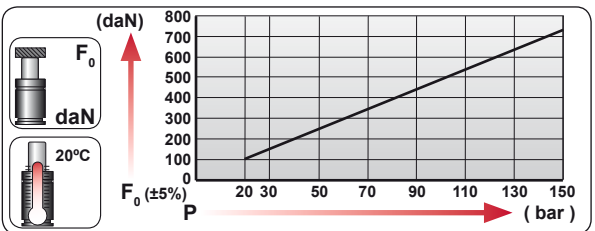
BMW B2 4006	FORD W-DX35-6203	PSA E24.54.815.G
MB B8 3180 220 000 001	GM 90.25.00	RENAULT EM24.54.700
VW 39D 878		NISSAN K32S0



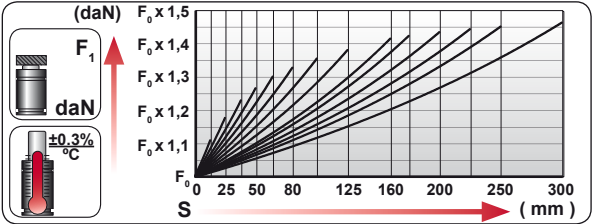
ORDER	S (mm)	L1 ±0.25 (mm)	L (mm)	Kg.
AG 750 012	12.7	120.4	107.7	1.27
AG 750 025	25	145	120	1.37
AG 750 038	38	171	133	1.48
AG 750 050	50	195	145	1.58
AG 750 063	63.5	222	158.5	1.69
AG 750 080	80	255	175	1.83
AG 750 100	100	295	195	1.99
AG 750 125	125	345	220	2.19
AG 750 160	160	415	255	2.48
AG 750 175	175	445	270	2.60
AG 750 200	200	495	295	2.81
AG 750 225	225	545	320	3.01
AG 750 250	250	595	345	3.22
AG 750 300	300	695	395	3.63



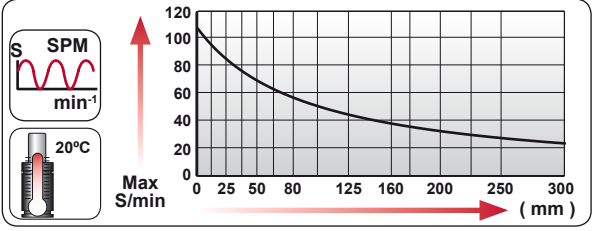
CODE	Pressure Gauge	bar	psi	F <sub>0</sub> daN	F <sub>1</sub> daN
AG 750 050		150	2175	740	940
AG-H 750 050		0	0	---	---



VDI 3003 **EQUIPPED WITH VDI - SAFETY**







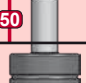




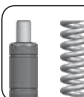

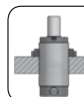





	ENG ORDER		F <sub>0</sub>		S
	DEU BESTELLUNG	750	daN	50	mm
	FRA COMMANDE				
	ITA ORDINE				
	ESP PEDIDO				
POR PEDIDO					



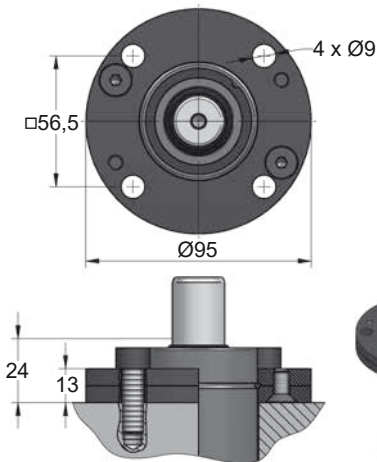
N <sub>2</sub>	Smax < 90%	Vmax 2 m/s	Pmin (20°C)	Pmax (20°C)	Tmin	Tmax	600 CP-

bar	psi	bar	psi	°C	°F	°C	°F	
20	290	150	2175	0	32	80	176	

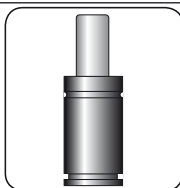
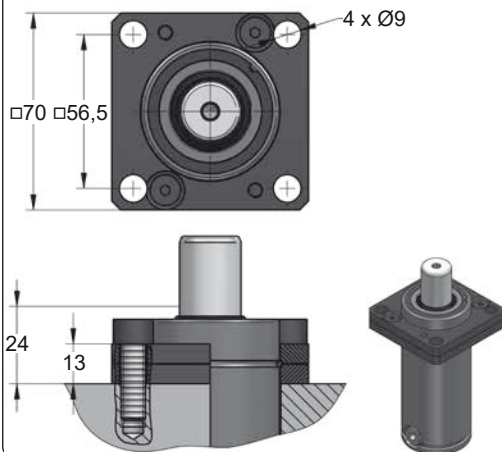
ISO

								
								
								
	<b>L1=138</b> <b>L1=152</b> <b>L1=152</b>	<b>L1=138</b> <b>L1=150</b> <b>L1=150</b>	<b>L1=170</b> <b>L1=185</b> <b>L1=195</b>	<b>L1=195</b>	<b>L1=165</b> <b>L1=175</b>	<b>L1=220</b>		
<b>MODEL</b>	<b>X</b> CW 1000 KZ 1000 KT 1000	<b>X</b>	CT 750 CK 1000 FD 750	GN 750 CM 1000 CD 1000	<b>AG 750</b>	CPH 1700 CP 2000	CS 1800	
<b>SERIES</b>	MINI 	COMPACT HEIGHT 	THREADED 	LOW PROFILE 	HEAVY DUTY 	ISO 	HEAVY LOAD 	POWER COMPACT STROKE 

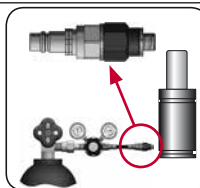
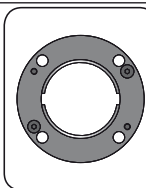
## A14-050



## A34-050



**SEAL KIT S-XXXXXXX**  
**CARTRIDGE KIT C-XXXXXXX**



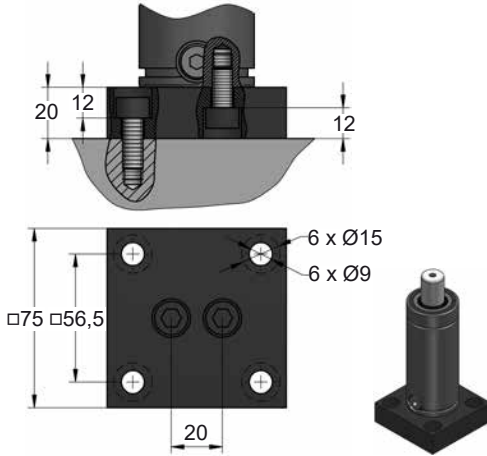
<b>CODE</b>	<b>AG 750 050</b>	<b>KIT S-XXXXXXX</b> <b>KIT C-XXXXXXX</b>	<b>A14-050</b>	<b>18 CG 1-Q</b>
ENG ORDER	GAS SPRING	REPAIR KIT	FLANGE	CHARGING ADAPTER
DEU BESTELLUNG	GASDRUCKFEDER	ERSATZTEILSATZ	FLANSCHEN	LADEADAPTER
FRA COMMANDE	RESSORT À GAZ	KIT DE RÉPARATION	BRIDE	RACCORD DE CHARGE
ITA ORDINE	CILINDRO AD AZOTO	KIT DI MANUTENZIONE	FLANGE	ADATTATORE DI CARICO
ESP PEDIDO	RESORTE DE GAS	KIT DE REPARACION	BRIDA	ADAPTADOR DE CARGA
POR PEDIDO	CILINDRO DE GÁS	KIT DE MANUTENÇÃO	FLANGE	ADAPTADOR DE CARGA

# AG 750 MOUNTS

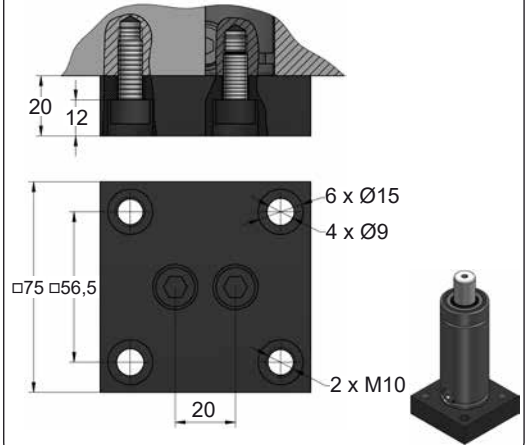
150

**AZOL**  
**GAS**

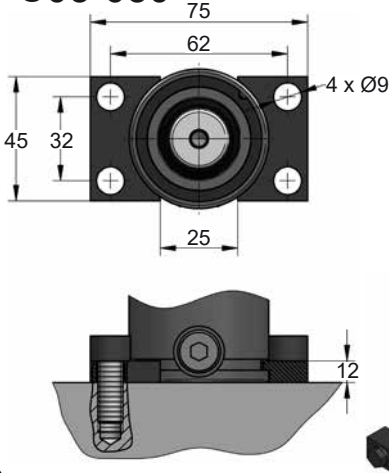

## B21-050

 EM24.54.700F


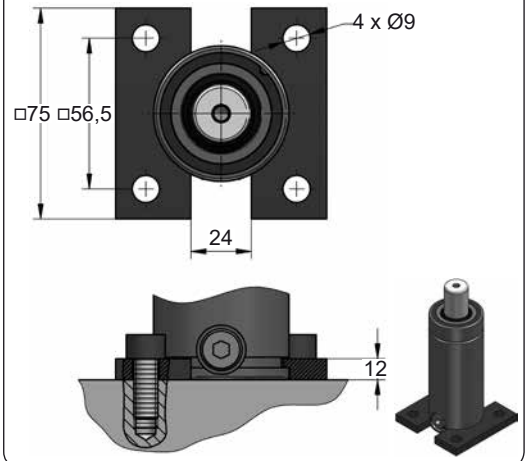
## B76-050

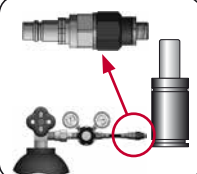
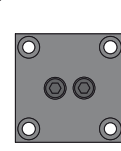
   EM24.54.815.G  
 EM24.54.700F


## C05-050



## C20-050

    EM24.54.815.G  
 EM24.54.700F

**SEAL**  
**KIT S-XXXXXXX**  
  
**CARTRIDGE**  
**KIT C-XXXXXXX**  

**CODE****AG 750 050**
**KIT S-XXXXXXX**  
**KIT C-XXXXXXX**
**B21-050****18 CG 1-Q**

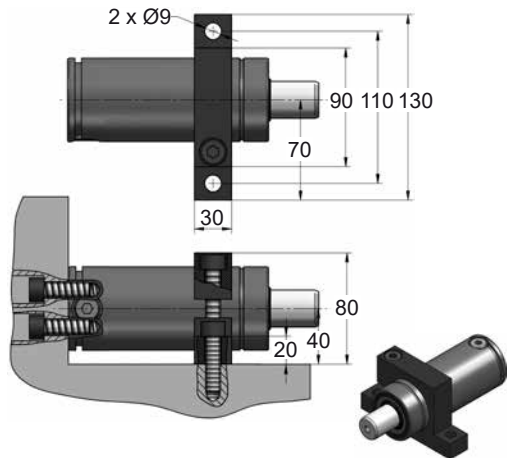
ENG	ORDER	GAS SPRING	REPAIR KIT	FLANGE	CHARGING ADAPTER
DEU	BESTELLUNG	GASDRUCKFEDER	ERSATZTEILSATZ	FLANSCHEN	LADEADAPTER
FRA	COMMANDE	RESSORT À GAZ	KIT DE RÉPARATION	BRIDE	RACCORD DE CHARGE
ITA	ORDINE	CILINDRO AD AZOTO	KIT DI MANUTENZIONE	FLANGE	ADATTATORE DI CARICO
ESP	PEDIDO	RESORTE DE GAS	KIT DE REPARACION	BRIDA	ADAPTADOR DE CARGA
POR	PEDIDO	CILINDRO DE GÁS	KIT DE MANUTENÇÃO	FLANGE	ADAPTADOR DE CARGA



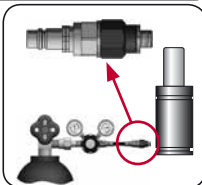
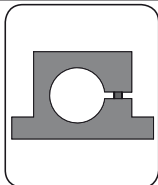
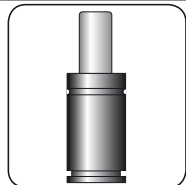
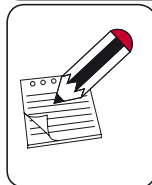
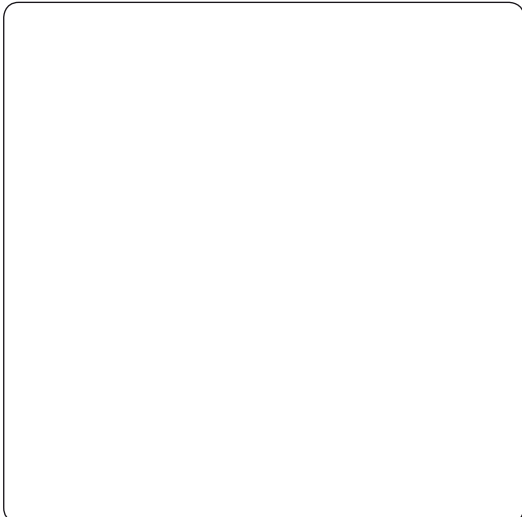
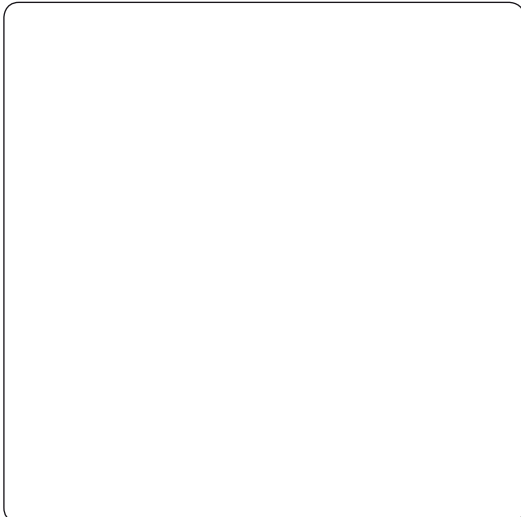
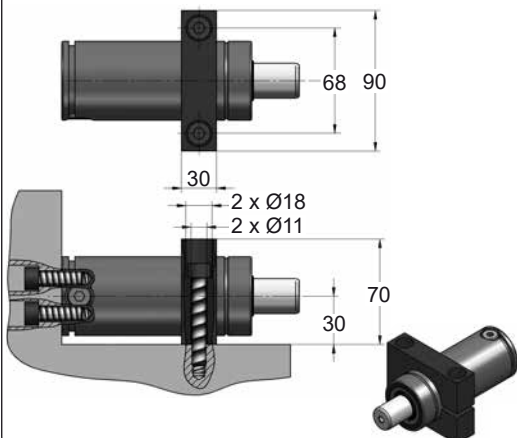
# AG 750 MOUNTS

ISO

## D02-050



## D67-050

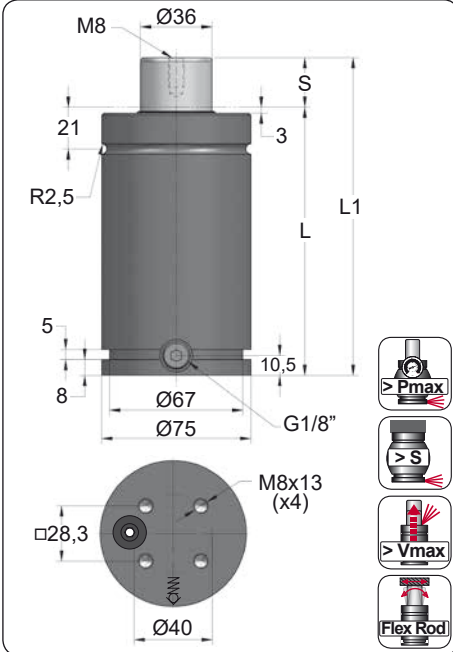


CODE	AG 750 050	KIT S-XXXXXXX KIT C-XXXXXXX	D02-050	18 CG 1-Q
ENG ORDER	GAS SPRING	REPAIR KIT	FLANGE	CHARGING ADAPTER
DEU BESTELLUNG	GASDRUCKFEDER	ERSATZTEILSATZ	FLANSCHEN	LADEADAPTER
FRA COMMANDE	RESSORT À GAZ	KIT DE RÉPARATION	BRIDE	RACCORD DE CHARGE
ITA ORDINE	CILINDRO AD AZOTO	KIT DI MANUTENZIONE	FLANGE	ADATTATORE DI CARICO
ESP PEDIDO	RESORTE DE GAS	KIT DE REPARACION	BRIDA	ADAPTADOR DE CARGA
POR PEDIDO	CILINDRO DE GÁS	KIT DE MANUTENÇÃO	FLANGE	ADAPTADOR DE CARGA

# AG 1500

150

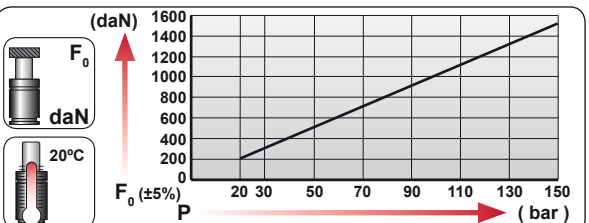
BMW B2 4006	FORD W-DX35-6203	PSA E24.54.815.G
MB B8 3180 220 000 001	GM 90.25.00	RENAULT EM24.54.700
VW 39D 878		NISSAN K32S0



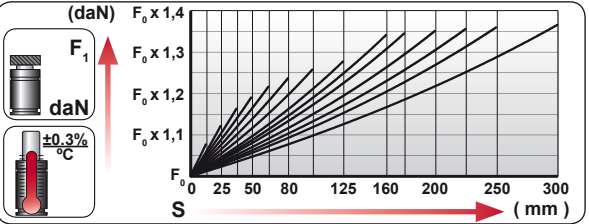
ORDER	S (mm)	L1 ±0.25 (mm)	L (mm)	Kg.
AG 1500 012	12.7	135.4	122.7	3.11
AG 1500 025	25	160	135	3.29
AG 1500 038	38	186	148	3.48
AG 1500 050	50	210	160	3.65
AG 1500 063	63.5	237	173.5	3.85
AG 1500 080	80	270	190	4.09
AG 1500 100	100	310	210	4.38
AG 1500 125	125	360	235	4.75
AG 1500 160	160	430	270	5.26
AG 1500 175	175	460	285	5.48
AG 1500 200	200	510	310	5.85
AG 1500 225	225	560	335	6.22
AG 1500 250	250	610	360	6.58
AG 1500 300	300	710	410	7.31



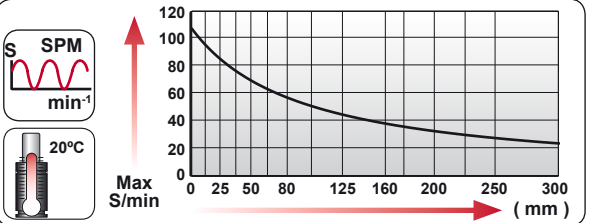
CODE	Pressure Gauge	bar	psi	F <sub>0</sub> daN	F <sub>1</sub> daN
AG 1500 050		150	2175	1530	1820
AG-H 1500 050		0	0	---	---



**EQUIPPED WITH VDI - SAFETY**



	ENG ORDER		F <sub>0</sub>		S
	DEU BESTELLUNG	daN		mm	
	FRA COMMANDE				
	ITA ORDINE				
	ESP PEDIDO				
POR PEDIDO					
<b>AG 1500 050</b>		<b>1500</b>	<b>50</b>		



N <sub>2</sub>	S <sub>max</sub> < 90%	V <sub>max</sub> 2 m/s	P <sub>min</sub> (20°C)	P <sub>max</sub> (20°C)	T <sub>min</sub>	T <sub>max</sub>	600 CP-

bar	psi	bar	psi	°C	°F	°C	°F
20	290	150	2175	0	32	80	176

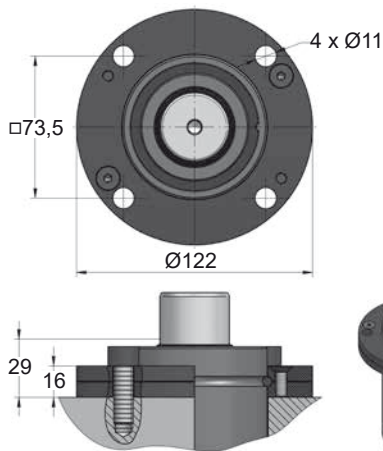


# AG 1500 MOUNTS

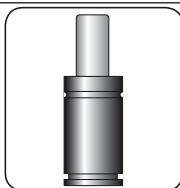
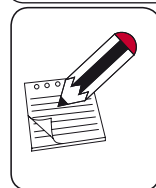
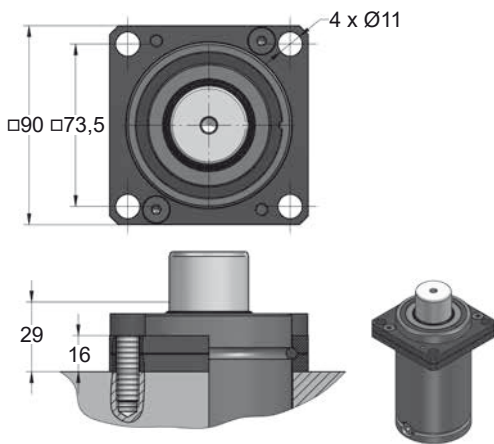
150

<b>MODEL</b>	<b>X</b> CW 2400 KZ 2400 KT 2400	<b>X</b>	CT 2500 CK 2500 FD 1500	GN 1500 CM 2500 CD 2400	<b>AG 1500</b>	CPH 4300 CP 5000	CS 4700	
<b>SERIES</b>	MINI 	COMPACT HEIGHT 	THREADED 	LOW PROFILE 	HEAVY DUTY 	ISO 	HEAVY LOAD 	POWER COMPACT STROKE 

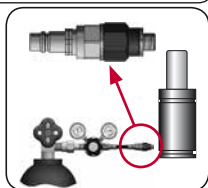
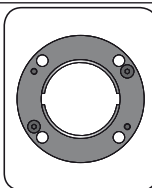
## A14-075



## A34-075



**SEAL KIT S-XXXXXXX**  
**CARTRIDGE KIT C-XXXXXXX**




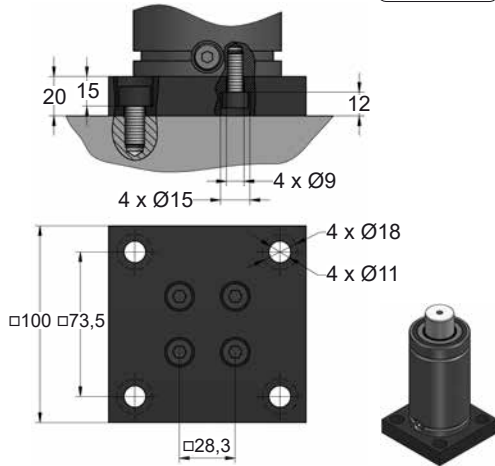
<b>CODE</b>	<b>AG 1500 050</b>	<b>KIT S-XXXXXXX</b> <b>KIT C-XXXXXXX</b>	<b>A14-075</b>	<b>18 CG 1-Q</b>
ENG ORDER	GAS SPRING	REPAIR KIT	FLANGE	CHARGING ADAPTER
DEU BESTELLUNG	GASDRUCKFEDER	ERSATZTEILSATZ	FLANSCHEN	LADEADAPTER
FRA COMMANDE	RESSORT À GAZ	KIT DE RÉPARATION	BRIDE	RACCORD DE CHARGE
ITA ORDINE	CILINDRO AD AZOTO	KIT DI MANUTENZIONE	FLANGE	ADATTATORE DI CARICO
ESP PEDIDO	RESORTE DE GAS	KIT DE REPARACION	BRIDA	ADAPTADOR DE CARGA
POR PEDIDO	CILINDRO DE GÁS	KIT DE MANUTENÇÃO	FLANGE	ADAPTADOR DE CARGA

# AG 1500 MOUNTS

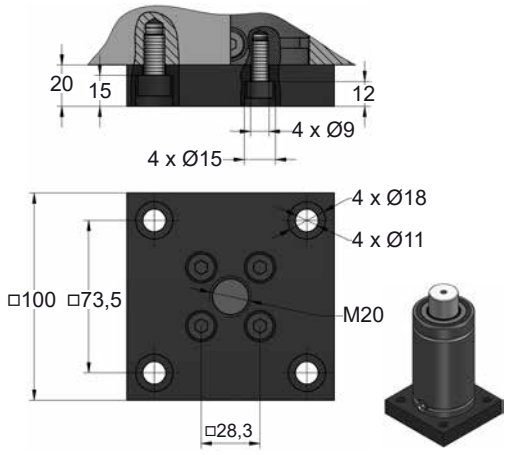
**AZOL**  
**GAS**

150

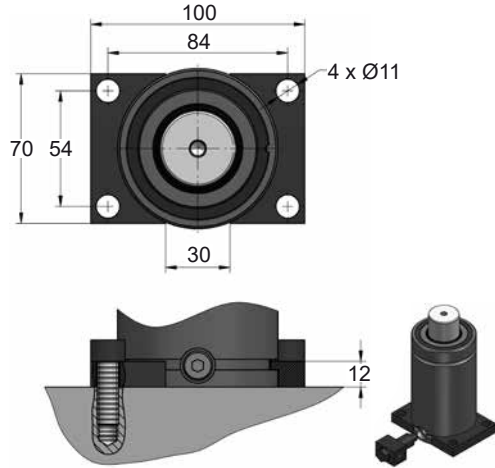
## B21-075

 EM24.54.700F


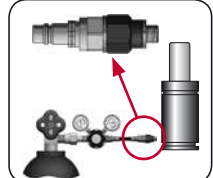
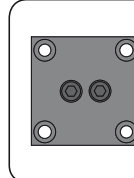
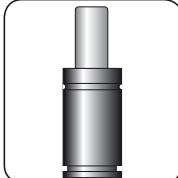
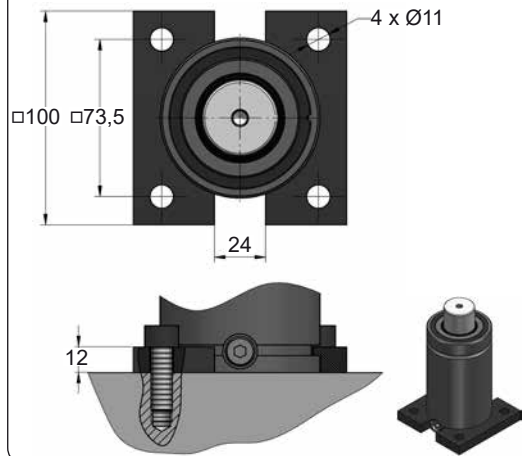
## B76-075

   E24.54.815.G  
EM24.54.700F


## C05-075



## C20-075

    E24.54.815.G  
EM24.54.700F


CODE	AG 1500 050	KIT S-XXXXXXX KIT C-XXXXXXX	B21-075	18 CG 1-Q
ENG ORDER	GAS SPRING	REPAIR KIT	FLANGE	CHARGING ADAPTER
DEU BESTELLUNG	GASDRUCKFEDER	ERSATZTEILSATZ	FLANSCHEN	LADEADAPTER
FRA COMMANDE	RESSORT À GAZ	KIT DE RÉPARATION	BRIDE	RACCORD DE CHARGE
ITA ORDINE	CILINDRO AD AZOTO	KIT DI MANUTENZIONE	FLANGE	ADATTATORE DI CARICO
ESP PEDIDO	RESORTE DE GAS	KIT DE REPARACION	BRIDA	ADAPTADOR DE CARGA
POR PEDIDO	CILINDRO DE GÁS	KIT DE MANUTENÇÃO	FLANGE	ADAPTADOR DE CARGA



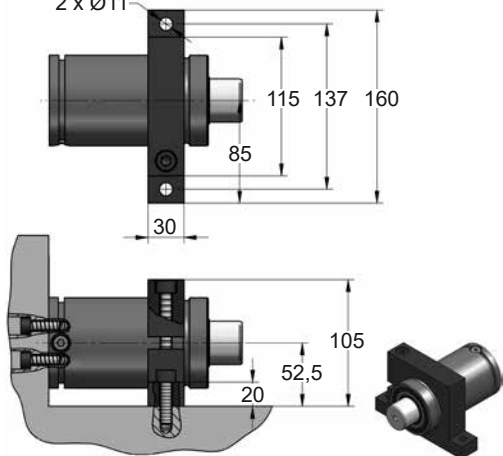


# AG 1500 MOUNTS

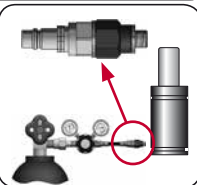
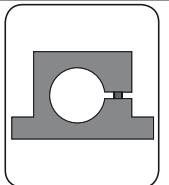
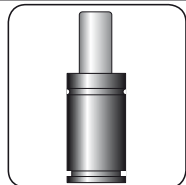
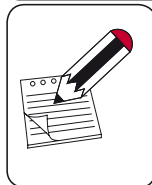
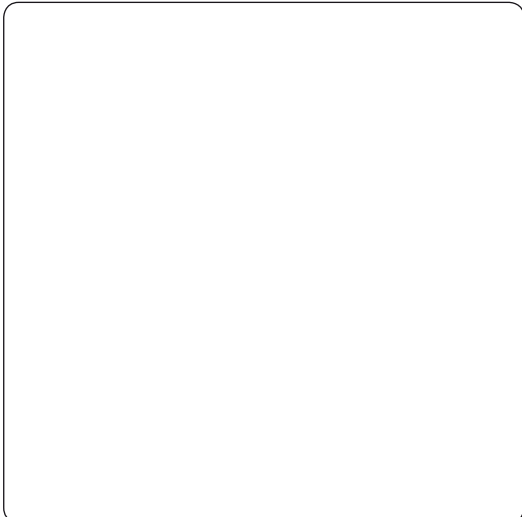
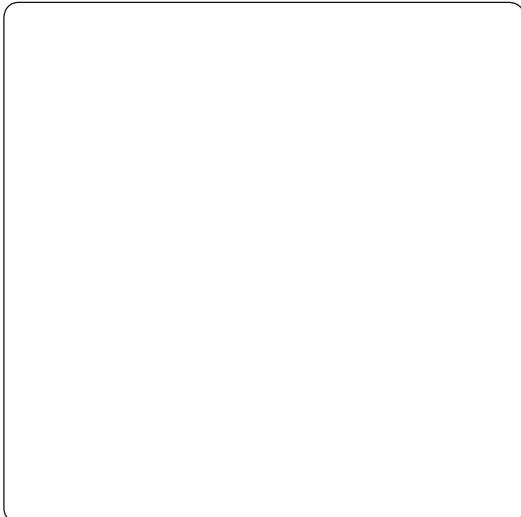
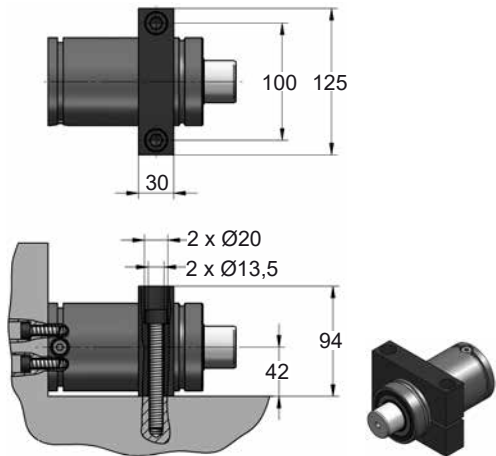
150

## D02-075

2 x Ø11



## D67-075

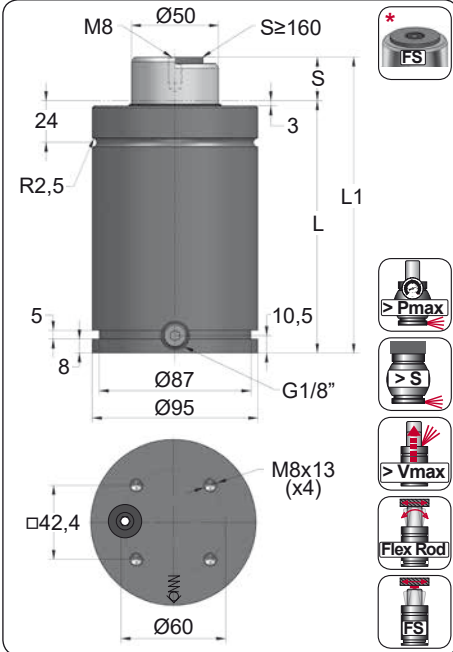


CODE	AG 1500 050	KIT S-XXXXXXX KIT C-XXXXXXX	D02-075	18 CG 1-Q
ENG ORDER	GAS SPRING	REPAIR KIT	FLANGE	CHARGING ADAPTER
DEU BESTELLUNG	GASDRUCKFEDER	ERSATZTEILSATZ	FLANSCHEN	LADEADAPTER
FRA COMMANDE	RESSORT À GAZ	KIT DE RÉPARATION	BRIDE	RACCORD DE CHARGE
ITA ORDINE	CILINDRO AD AZOTO	KIT DI MANUTENZIONE	FLANGE	ADATTATORE DI CARICO
ESP PEDIDO	RESORTE DE GAS	KIT DE REPARACION	BRIDA	ADAPTADOR DE CARGA
POR PEDIDO	CILINDRO DE GÁS	KIT DE MANUTENÇÃO	FLANGE	ADAPTADOR DE CARGA

# AG 3000

150

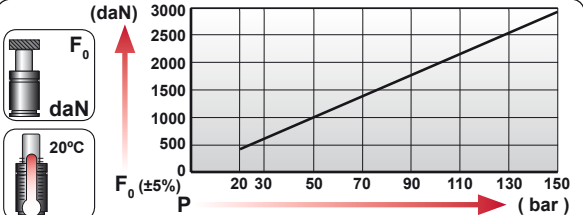
BMW B2 4006	FORD W-DX35-6203	PSA E24.54.815.G
MB B8 3180 220 000 001	GM 90.25.00	RENAULT EM24.54.700
VW 39D 878		NISSAN K32S0



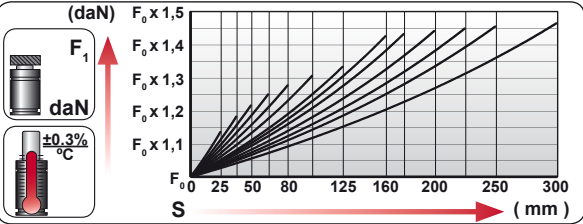
ORDER	S (mm)	L1 ±0.25 (mm)	L (mm)	Kg.
AG 3000 025	25	170	145	5.60
AG 3000 038	38	196	158	5.94
AG 3000 050	50	220	170	6.25
AG 3000 063	63.5	247	183.5	6.60
AG 3000 080	80	280	200	7.03
AG 3000 100	100	320	220	7.55
AG 3000 125	125	370	245	8.20
AG 3000 160 *	160	440	280	9.11
AG 3000 175 *	175	470	295	9.50
AG 3000 200 *	200	520	320	10.15
AG 3000 225 *	225	570	345	10.81
AG 3000 250 *	250	620	370	11.46
AG 3000 300 *	300	720	420	12.76



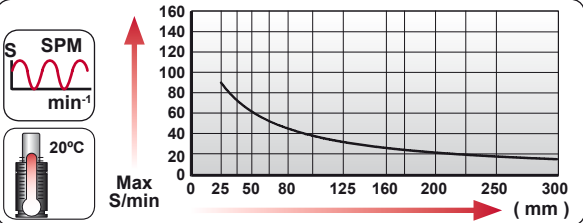
CODE	Pressure Gauge	bar	psi	F <sub>0</sub> daN	F <sub>1</sub> daN
AG 3000 050		150	2175	2945	3590
AG-H 3000 050		0	0	---	---



**EQUIPPED WITH VDI - SAFETY**



	ENG ORDER		F <sub>0</sub>		S
	DEU BESTELLUNG	daN	daN	mm	
	FRA COMMANDE				
	ITA ORDINE				
	ESP PEDIDO				
POR PEDIDO					
<b>AG 3000 050</b>		<b>3000</b>	<b>50</b>		



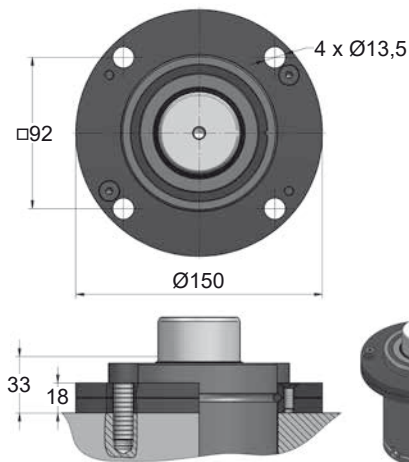
N <sub>2</sub>	S <sub>max</sub> < 90%	V <sub>max</sub> 2 m/s	P <sub>min</sub> (20°C)	P <sub>max</sub> (20°C)	T <sub>min</sub>	T <sub>max</sub>	600 CP-

bar	psi	bar	psi	°C	°F	°C	°F
20	290	150	2175	0	32	80	176

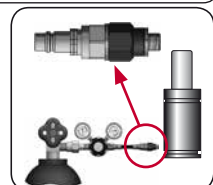
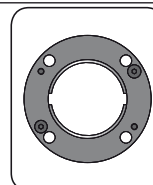
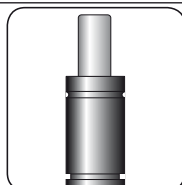
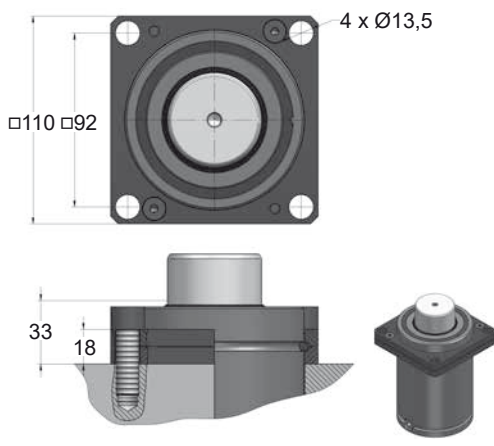
ISO

<b>MODEL</b>	<b>X</b> CW 4200 KZ 4200 KT 4200	<b>X</b> CK 4000 FD 3000	GN 3000 CM 4000 CD 4200	<b>AG 3000</b>	CP 8000	CS 7500		
<b>SERIES</b>	MINI 	COMPACT HEIGHT 	THREADED 	LOW PROFILE 	HEAVY DUTY 	ISO 	HEAVY LOAD 	POWER COMPACT STROKE 

## A14-095



## A34-095



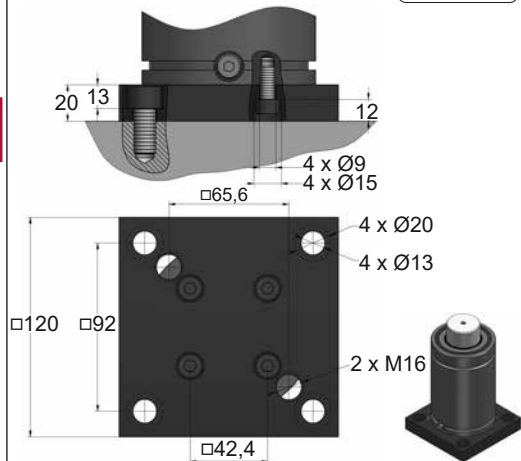
<b>CODE</b>	<b>AG 3000 050</b>	<b>KIT S-XXXXXXX</b> <b>KIT C-XXXXXXX</b>	<b>A14-095</b>	<b>18 CG 1-Q</b>
ENG ORDER	GAS SPRING	REPAIR KIT	FLANGE	CHARGING ADAPTER
DEU BESTELLUNG	GASDRUCKFEDER	ERSATZTEILSATZ	FLANSCHEN	LADEADAPTER
FRA COMMANDE	RESSORT À GAZ	KIT DE RÉPARATION	BRIDE	RACCORD DE CHARGE
ITA ORDINE	CILINDRO AD AZOTO	KIT DI MANUTENZIONE	FLANGE	ADATTATORE DI CARICO
ESP PEDIDO	RESORTE DE GAS	KIT DE REPARACION	BRIDA	ADAPTADOR DE CARGA
POR PEDIDO	CILINDRO DE GÁS	KIT DE MANUTENÇÃO	FLANGE	ADAPTADOR DE CARGA

# AG 3000 MOUNTS

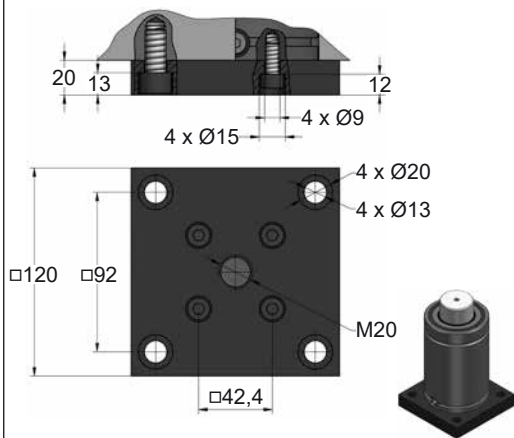
**AZOL**  
**GAS**

150

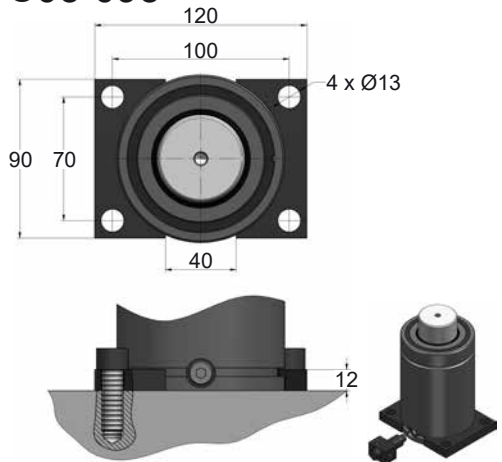
## B21-095



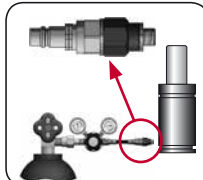
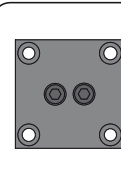
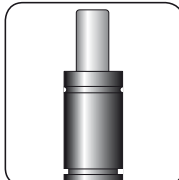
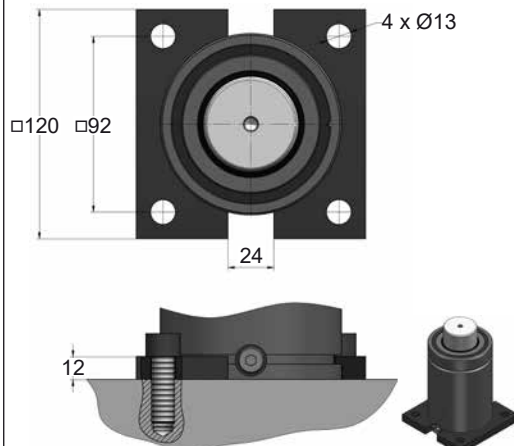
## B76-095



## C05-095



## C20-095



CODE	AG 3000 050	KIT S-XXXXXXX KIT C-XXXXXXX	B21-095	18 CG 1-Q
ENG ORDER	GAS SPRING	REPAIR KIT	FLANGE	CHARGING ADAPTER
DEU BESTELLUNG	GASDRUCKFEDER	ERSATZTEILSATZ	FLANSCHEN	LADEADAPTER
FRA COMMANDE	RESSORT À GAZ	KIT DE RÉPARATION	BRIDE	RACCORD DE CHARGE
ITA ORDINE	CILINDRO AD AZOTO	KIT DI MANUTENZIONE	FLANGE	ADATTATORE DI CARICO
ESP PEDIDO	RESORTE DE GAS	KIT DE REPARACION	BRIDA	ADAPTADOR DE CARGA
POR PEDIDO	CILINDRO DE GÁS	KIT DE MANUTENÇÃO	FLANGE	ADAPTADOR DE CARGA

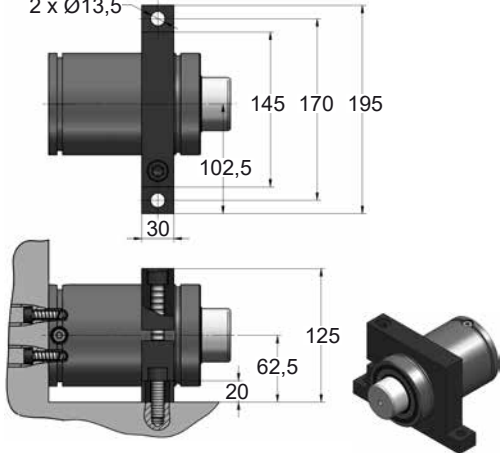


# AG 3000 MOUNTS

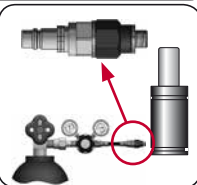
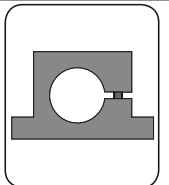
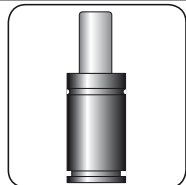
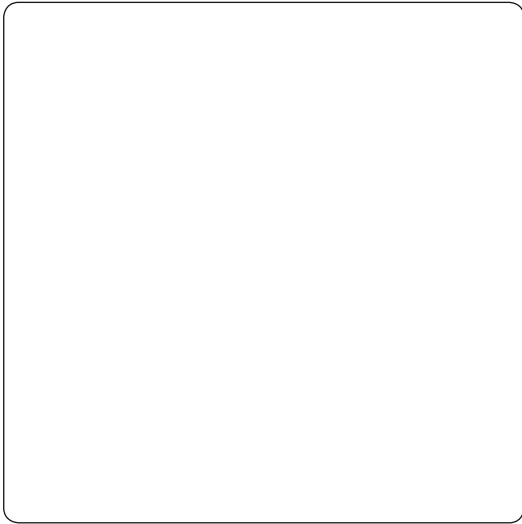
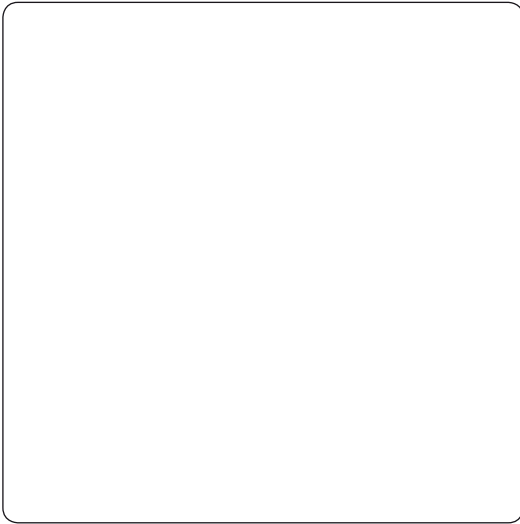
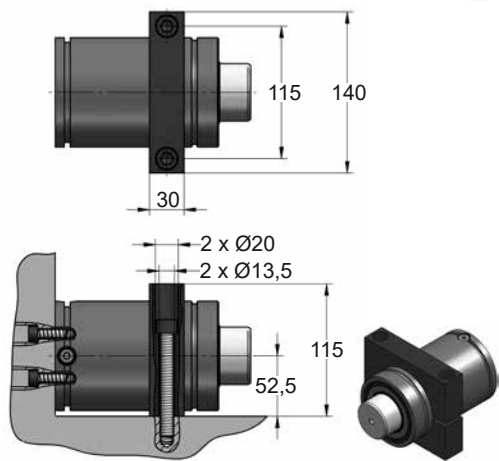
150

## D02-095

2 x Ø13,5



## D67-095

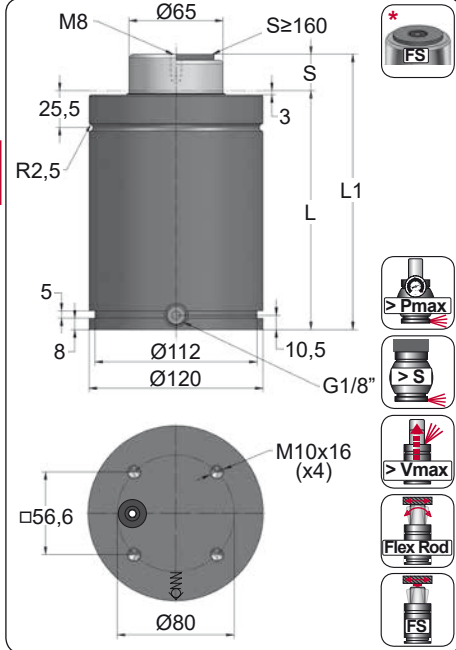


CODE	AG 3000 050	KIT S-XXXXXXX KIT C-XXXXXXX	D02-095	18 CG 1-Q
ENG ORDER	GAS SPRING	REPAIR KIT	FLANGE	CHARGING ADAPTER
DEU BESTELLUNG	GASDRUCKFEDER	ERSATZTEILSATZ	FLANSCHEN	LADEADAPTER
FRA COMMANDE	RESSORT À GAZ	KIT DE RÉPARATION	BRIDE	RACCORD DE CHARGE
ITA ORDINE	CILINDRO AD AZOTO	KIT DI MANUTENZIONE	FLANGE	ADATTATORE DI CARICO
ESP PEDIDO	RESORTE DE GAS	KIT DE REPARACION	BRIDA	ADAPTADOR DE CARGA
POR PEDIDO	CILINDRO DE GAS	KIT DE MANUTENÇÃO	FLANGE	ADAPTADOR DE CARGA

# AG 5000

ISO

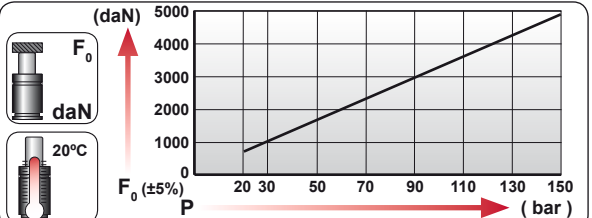
BMW B2 4006	FORD W-DX35-6203	PSA E24.54.815.G
MB B8 3180 220 000 001	GM 90.25.00	RENAULT EM24.54.700
VW 39D 878		NISSAN K32S0



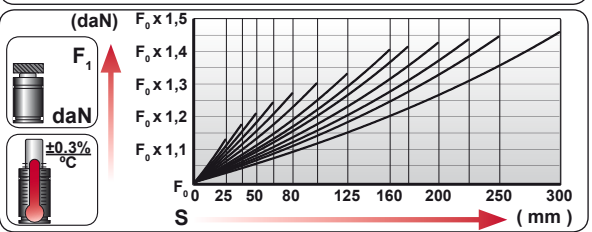
ORDER	S (mm)	L1 ±0.25 (mm)	L (mm)	Kg.
AG 5000 025	25	190	165	10.40
AG 5000 038	38	216	178	10.92
AG 5000 050	50	240	190	11.41
AG 5000 063	63.5	267	203.5	11.96
AG 5000 080	80	300	220	12.63
AG 5000 100	100	340	240	13.45
AG 5000 125	125	390	265	14.47
AG 5000 160 *	160	460	300	15.89
AG 5000 175 *	175	490	315	16.50
AG 5000 200 *	200	540	340	17.52
AG 5000 225 *	225	590	365	18.53
AG 5000 250 *	250	640	390	19.55
AG 5000 300 *	300	740	440	21.59



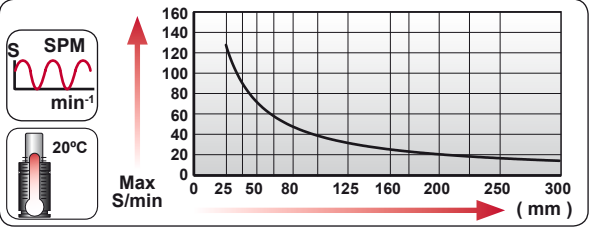
CODE	Pressure Gauge	bar	psi	F <sub>0</sub> daN	F <sub>1</sub> daN
AG 5000 050		150	2175	4980	6020
AG-H 5000 050		0	0	---	---



**EQUIPPED WITH VDI - SAFETY**
















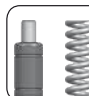

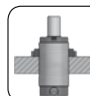





	ENG ORDER DEU BESTELLUNG FRA COMMANDE ITA ORDINE ESP PEDIDO POR PEDIDO	<p>F<sub>0</sub> daN</p>	<p>S mm</p>
<b>AG 5000 050</b>		<b>5000</b>	<b>50</b>



--	--	--	--	--	--	--	--

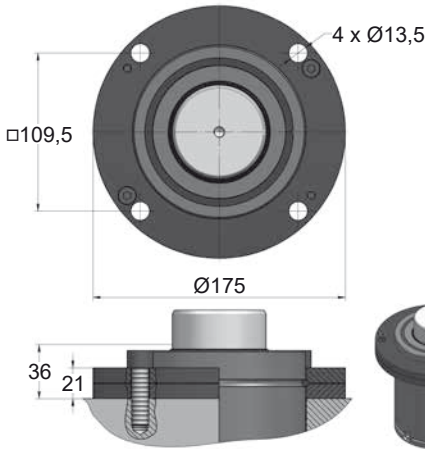
N <sub>2</sub>	S <sub>max</sub> < 90%	V <sub>max</sub> 2 m/s	bar psi	bar psi	°C °F	°C °F	600 CP-
			20 290	150 2175	0 32	80 176	

ISO

								
								
	L1=168 L1=172 L1=172	L1=190	L1=202 L1=215 L1=240	L1=240	L1=260			
<b>MODEL</b>	<b>X</b> CW 6600 KZ 6600 KZ 6600	<b>X</b>	FD 5000	GN 5000 CM 6500 CD 6600	<b>AG 5000</b>	<b>X</b> CS 11800		
<b>SERIES</b>	MINI 	COMPACT HEIGHT 	THREADED 	LOW PROFILE 	HEAVY DUTY 	ISO 	HEAVY LOAD >Pmax 	POWER COMPACT STROKE <S >F0 

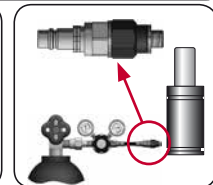
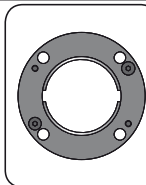
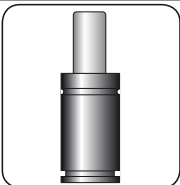
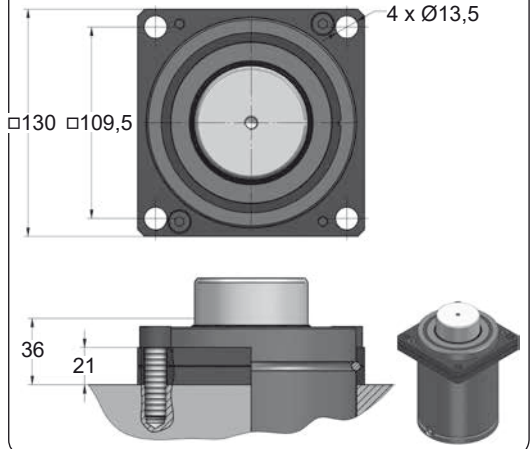
## A14-120

ISO  
E24.54.815.G  
EM24.54.700.F



## A34-120

ISO  
VDI



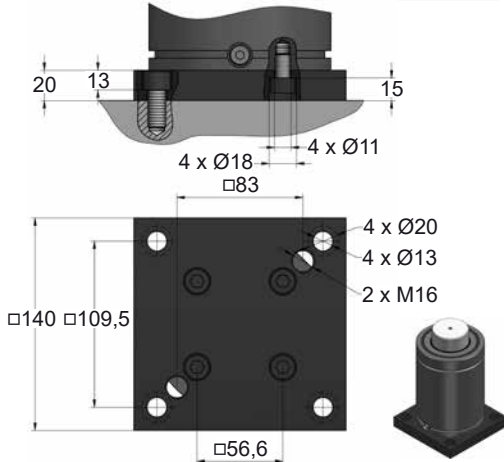
<b>CODE</b>	<b>AG 5000 050</b>	<b>KIT S-XXXXXXX</b> <b>KIT C-XXXXXXX</b>	<b>A14-120</b>	<b>18 CG 1-Q</b>
ENG ORDER	GAS SPRING	REPAIR KIT	FLANGE	CHARGING ADAPTER
DEU BESTELLUNG	GASDRUCKFEDER	ERSATZTEILSATZ	FLANSCHEN	LADEADAPTER
FRA COMMANDE	RESSORT À GAZ	KIT DE RÉPARATION	BRIDE	RACCORD DE CHARGE
ITA ORDINE	CILINDRO AD AZOTO	KIT DI MANUTENZIONE	FLANGE	ADATTATORE DI CARICO
ESP PEDIDO	RESORTE DE GAS	KIT DE REPARACION	BRIDA	ADAPTADOR DE CARGA
POR PEDIDO	CILINDRO DE GÁS	KIT DE MANUTENÇÃO	FLANGE	ADAPTADOR DE CARGA

# AG 5000 MOUNTS

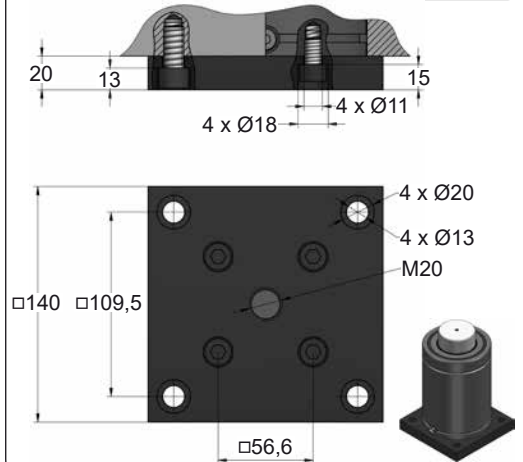
**AZOL**  
**GAS**

150

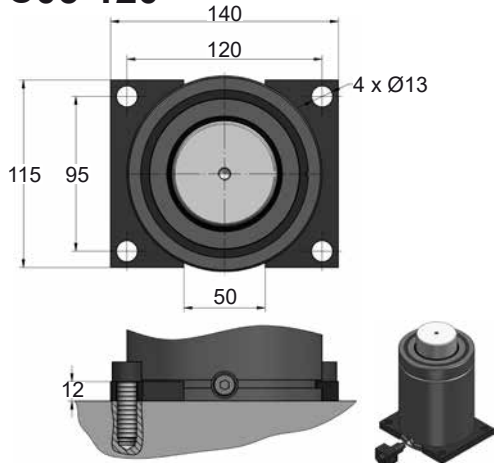
## B21-120



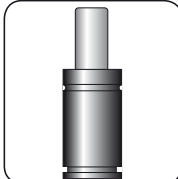
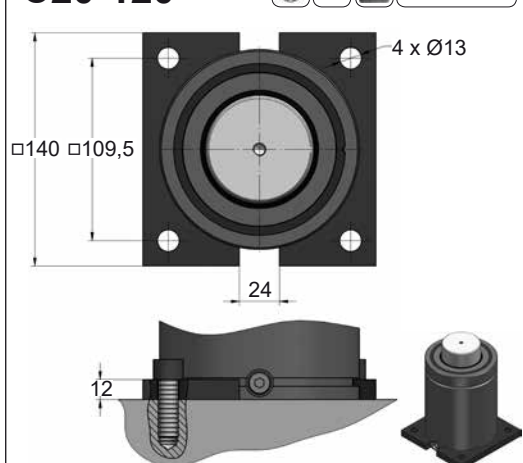
## B76-120



## C05-120



## C20-120



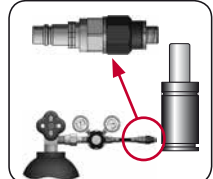
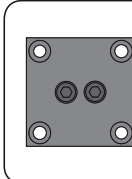
SEAL

KIT S-XXXXXXX



CARTRIDGE

KIT C-XXXXXXX



CODE

AG 5000 050

**KIT S-XXXXXXX**  
**KIT C-XXXXXXX**

B21-120

18 CG 1-Q

ENG	ORDER	GAS SPRING	REPAIR KIT	FLANGE	CHARGING ADAPTER
DEU	BESTELLUNG	GASDRUCKFEDER	ERSATZTEILSATZ	FLANSCHEN	LADEADAPTER
FRA	COMMANDE	RESSORT À GAZ	KIT DE RÉPARATION	BRIDE	RACCORD DE CHARGE
ITA	ORDINE	CILINDRO AD AZOTO	KIT DI MANUTENZIONE	FLANGE	ADATTATORE DI CARICO
ESP	PEDIDO	RESORTE DE GAS	KIT DE REPARACION	BRIDA	ADAPTADOR DE CARGA
POR	PEDIDO	CILINDRO DE GÁS	KIT DE MANUTENÇÃO	FLANGE	ADAPTADOR DE CARGA



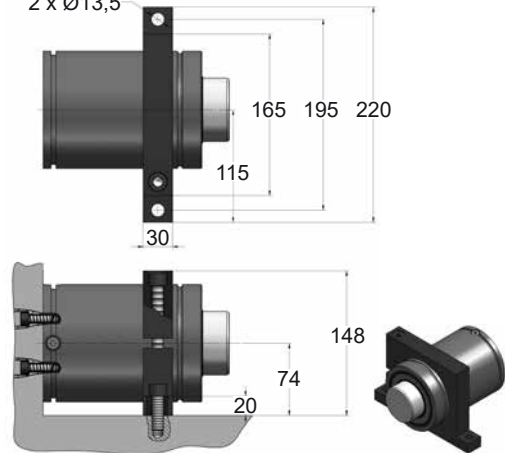


# AG 5000 MOUNTS

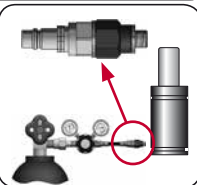
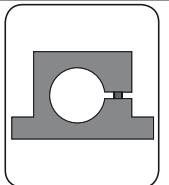
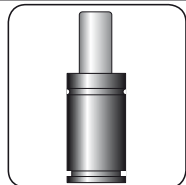
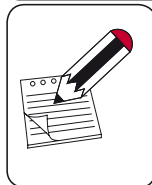
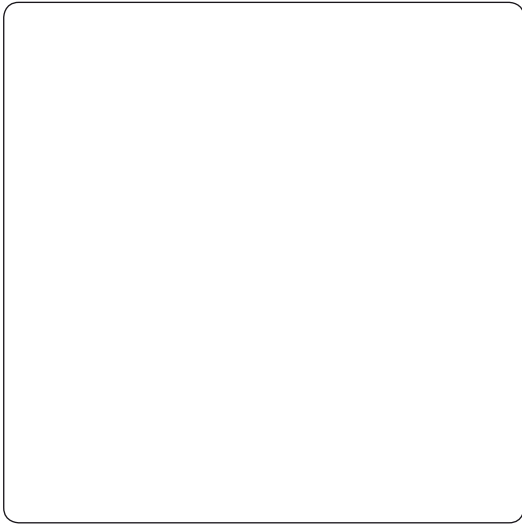
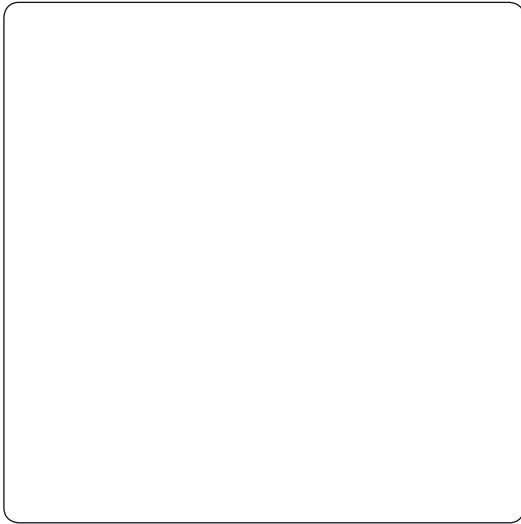
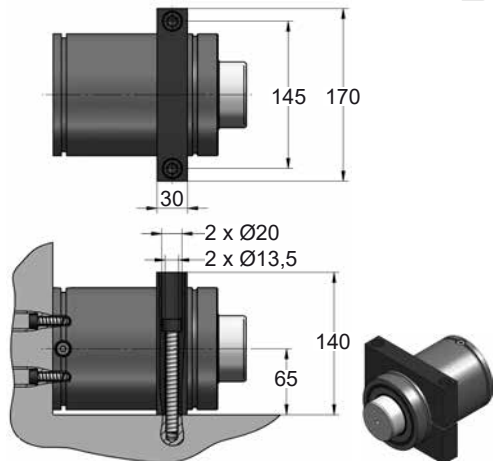
150

## D02-120

2 x Ø13,5



## D67-120

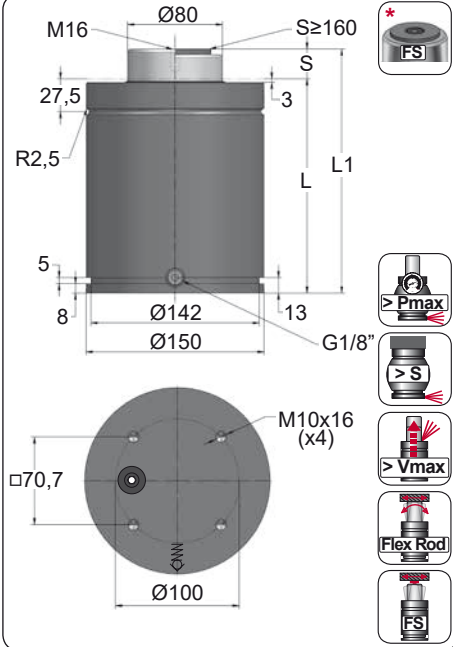


CODE	AG 5000 050	KIT S-XXXXXXX KIT C-XXXXXXX	D02-120	18 CG 1-Q
ENG ORDER	GAS SPRING	REPAIR KIT	FLANGE	CHARGING ADAPTER
DEU BESTELLUNG	GASDRUCKFEDER	ERSATZTEILSATZ	FLANSCHEN	LADEADAPTER
FRA COMMANDE	RESSORT À GAZ	KIT DE RÉPARATION	BRIDE	RACCORD DE CHARGE
ITA ORDINE	CILINDRO AD AZOTO	KIT DI MANUTENZIONE	FLANGE	ADATTATORE DI CARICO
ESP PEDIDO	RESORTE DE GAS	KIT DE REPARACION	BRIDA	ADAPTADOR DE CARGA
POR PEDIDO	CILINDRO DE GÁS	KIT DE MANUTENÇÃO	FLANGE	ADAPTADOR DE CARGA

# AG 7500

ISO

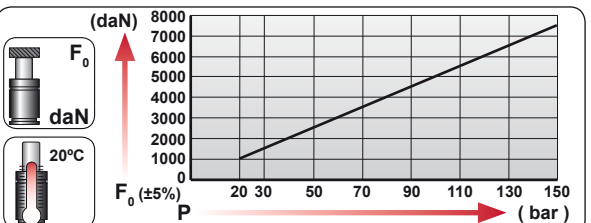
BMW B2 4006	FORD W-DX35-6203	PSA E24.54.815.G
MB B8 3180 220 000 001	GM 90.25.00	RENAULT EM24.54.700
VW 39D 878		



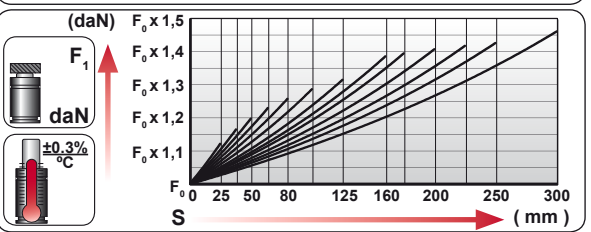
ORDER	S (mm)	L1 ±0.25 (mm)	L (mm)	Kg.
AG 7500 025	25	205	180	17.98
AG 7500 038	38	231	193	18.80
AG 7500 050	50	255	205	19.56
AG 7500 063	63.5	282	218.5	20.41
AG 7500 080	80	315	235	21.46
AG 7500 100	100	355	255	22.72
AG 7500 125	125	405	280	24.30
AG 7500 160 *	160	475	315	26.51
AG 7500 175 *	175	505	330	27.46
AG 7500 200 *	200	555	355	29.04
AG 7500 225 *	225	605	380	30.62
AG 7500 250 *	250	655	405	32.20
AG 7500 300 *	300	755	455	35.36



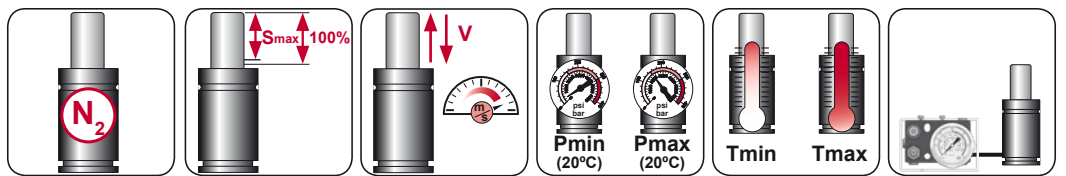
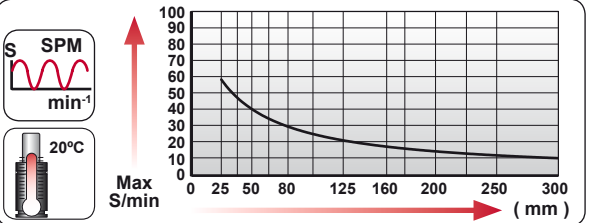
CODE	Pressure Gauge	bar	psi	F <sub>0</sub> daN	F <sub>1</sub> daN
AG 7500 050		150	2175	7540	9025
AG-H 7500 050		0	0	---	---



EQUIPPED WITH VDI - SAFETY



	ENG ORDER DEU BESTELLUNG FRA COMMANDE ITA ORDINE ESP PEDIDO POR PEDIDO		F <sub>0</sub> daN		S mm
<b>AG 7500 050</b>		<b>7500</b>	<b>50</b>		



N <sub>2</sub>	Smax < 90%	Vmax 2 m/s	bar psi 20 290	bar psi 150 2175	°C °F 0 32	°C °F 80 176	600 CP-
----------------	------------	------------	----------------	------------------	------------	--------------	---------

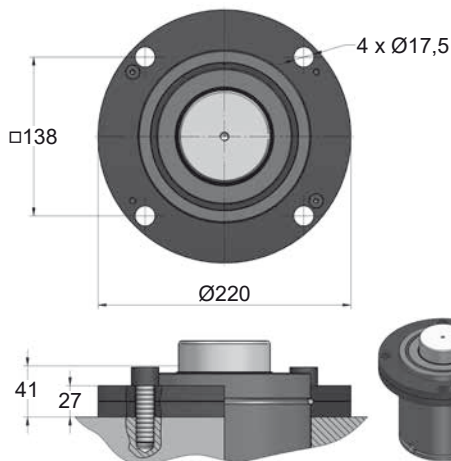


# AG 7500 MOUNTS

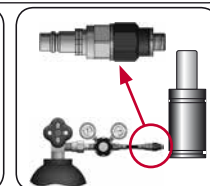
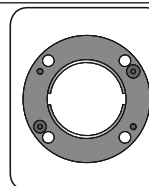
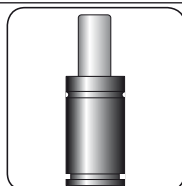
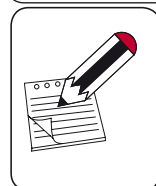
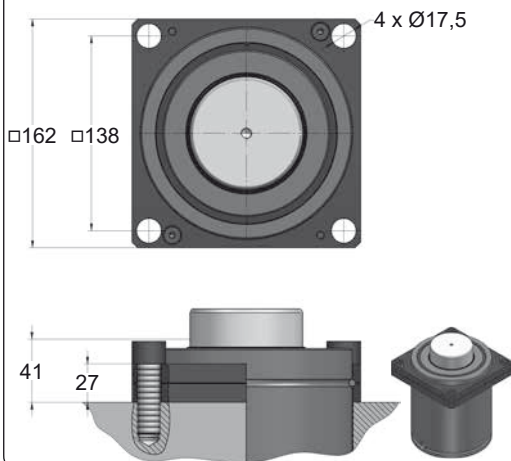
150

	50			50	50		50	
	Ø150			Ø150	Ø150		Ø150	
	L1=178			L1=205	L1=255		L1=270	
	L1=178			L1=236				
	L1=178			L1=255				
<b>MODEL</b>	×	CW 9500 CW 11800 KT 9500	×	×	GN 7500 CM 10000 CD 9600	AG 7500	×	CS 18300
<b>SERIES</b>	MINI	COMPACT HEIGHT	THREADED	LOW PROFILE	HEAVY DUTY	ISO	HEAVY LOAD	POWER COMPACT STROKE

## A14-150



## A34-150



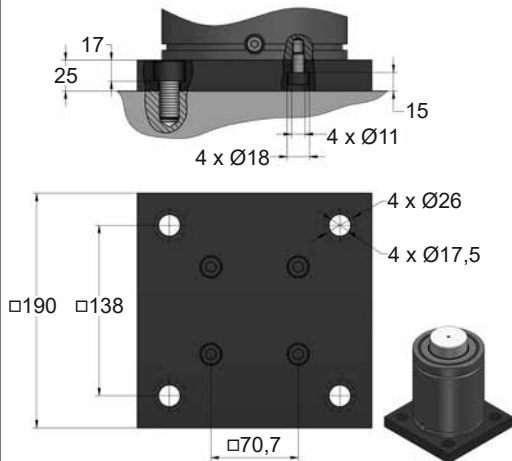
<b>CODE</b>	<b>AG 7500 050</b>	<b>KIT S-XXXXXXX KIT C-XXXXXXX</b>	<b>A14-150</b>	<b>18 CG 1-Q</b>
ENG ORDER	GAS SPRING	REPAIR KIT	FLANGE	CHARGING ADAPTER
DEU BESTELLUNG	GASDRUCKFEDER	ERSATZTEILSATZ	FLANSCHEN	LADEADAPTER
FRA COMMANDE	RESSORT À GAZ	KIT DE RÉPARATION	BRIDE	RACCORD DE CHARGE
ITA ORDINE	CILINDRO AD AZOTO	KIT DI MANUTENZIONE	FLANGE	ADATTATORE DI CARICO
ESP PEDIDO	RESORTE DE GAS	KIT DE REPARACION	BRIDA	ADAPTADOR DE CARGA
POR PEDIDO	CILINDRO DE GÁS	KIT DE MANUTENÇÃO	FLANGE	ADAPTADOR DE CARGA

# AG 7500 MOUNTS

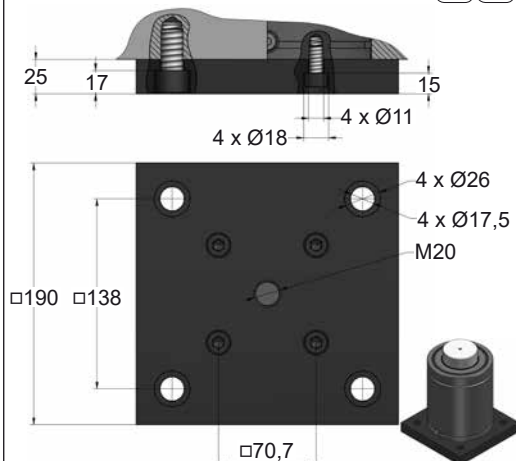
**AZOL**  
**GAS**

150

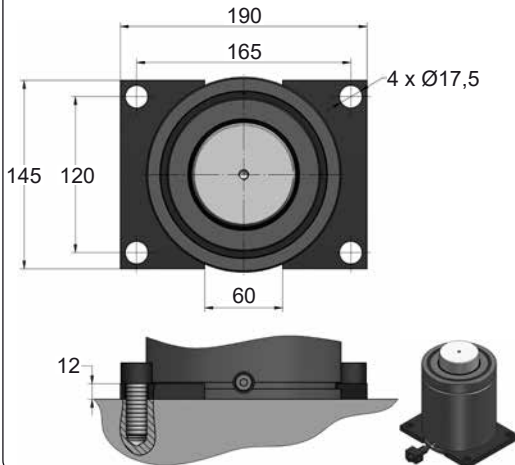
## B21-150



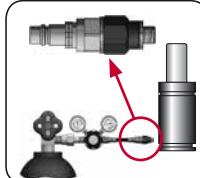
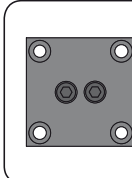
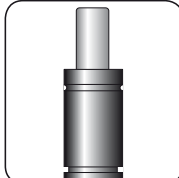
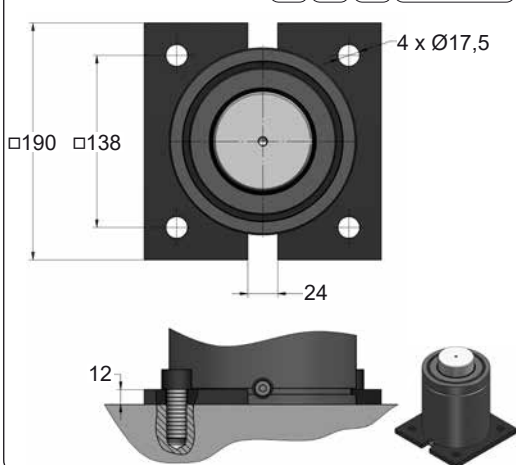
## B76-150



## C05-150



## C20-150



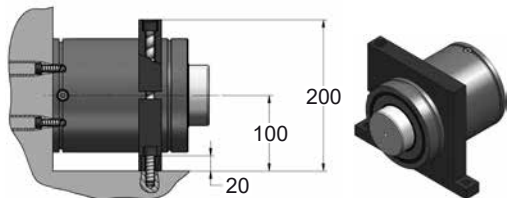
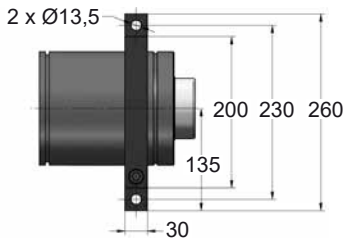
CODE	AG 7500 050	KIT S-XXXXXXX KIT C-XXXXXXX	B21-150	18 CG 1-Q
ENG ORDER	GAS SPRING	REPAIR KIT	FLANGE	CHARGING ADAPTER
DEU BESTELLUNG	GASDRUCKFEDER	ERSATZTEILSATZ	FLANSCHEN	LADEADAPTER
FRA COMMANDE	RESSORT À GAZ	KIT DE RÉPARATION	BRIDE	RACCORD DE CHARGE
ITA ORDINE	CILINDRO AD AZOTO	KIT DI MANUTENZIONE	FLANGE	ADATTATORE DI CARICO
ESP PEDIDO	RESORTE DE GAS	KIT DE REPARACION	BRIDA	ADAPTADOR DE CARGA
POR PEDIDO	CILINDRO DE GÁS	KIT DE MANUTENÇÃO	FLANGE	ADAPTADOR DE CARGA



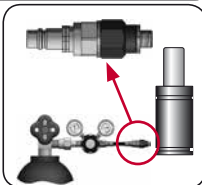
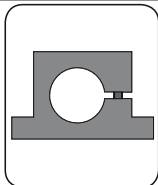
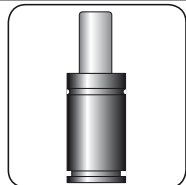
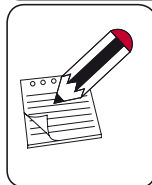
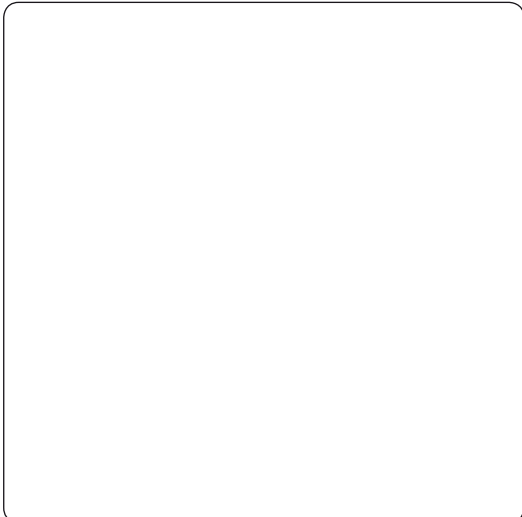
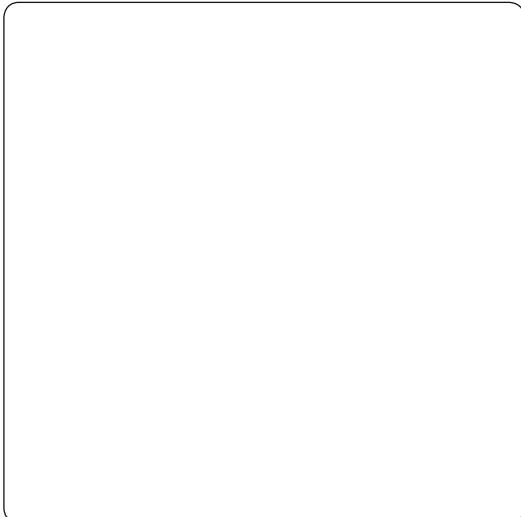
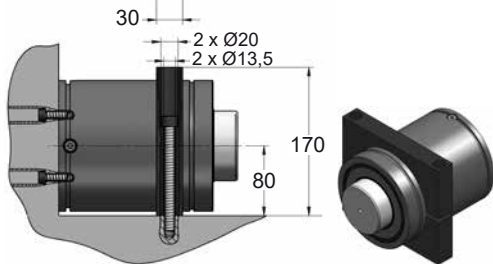
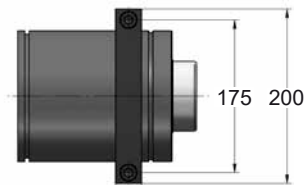
# AG 7500 MOUNTS

150

## D02-150



## D67-150

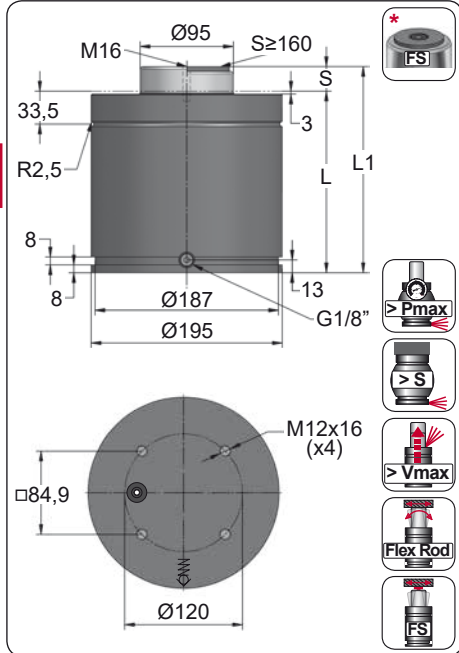


CODE	AG 7500 050	KIT S-XXXXXXX KIT C-XXXXXXX	D02-150	18 CG 1-Q
ENG ORDER	GAS SPRING	REPAIR KIT	FLANGE	CHARGING ADAPTER
DEU BESTELLUNG	GASDRUCKFEDER	ERSATZTEILSATZ	FLANSCHEN	LADEADAPTER
FRA COMMANDE	RESSORT À GAZ	KIT DE RÉPARATION	BRIDE	RACCORD DE CHARGE
ITA ORDINE	CILINDRO AD AZOTO	KIT DI MANUTENZIONE	FLANGE	ADATTATORE DI CARICO
ESP PEDIDO	RESORTE DE GAS	KIT DE REPARACION	BRIDA	ADAPTADOR DE CARGA
POR PEDIDO	CILINDRO DE GÁS	KIT DE MANUTENÇÃO	FLANGE	ADAPTADOR DE CARGA

# AG 10000

ISO

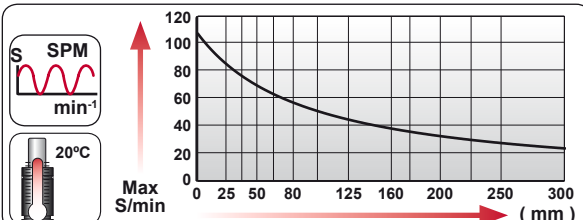
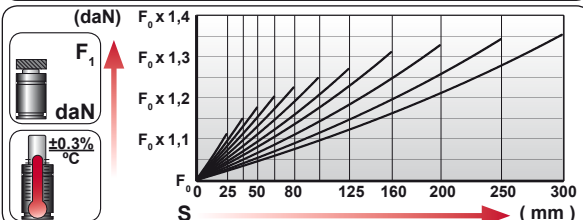
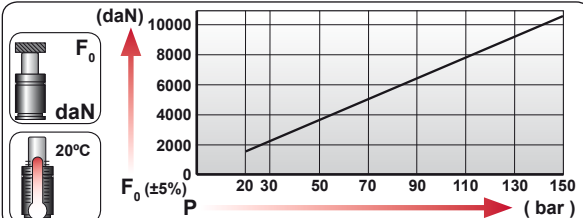
VW 39D 878	GM 90.25.00	RENAULT EM24.54.700
------------	-------------	---------------------



ORDER	S (mm)	L1 ±0.25 (mm)	L (mm)	Kg.
AG 10000 025	25	210	185	32.54
AG 10000 038	38	236	198	33.86
AG 10000 050	50	260	210	35.09
AG 10000 063	63.5	287	223.5	36.46
AG 10000 080	80	320	240	38.15
AG 10000 100	100	360	260	40.19
AG 10000 125	125	410	285	42.74
AG 10000 160 *	160	480	320	46.31
AG 10000 200 *	200	560	360	50.39
AG 10000 250 *	250	660	410	55.49
AG 10000 300 *	300	760	460	60.60



CODE	Pressure Gauge	bar	psi	F <sub>0</sub> daN	F <sub>1</sub> daN
AG 10000 050		145	2105	10280	12100
AG-H 10000 050		0	0	---	---



**EQUIPPED WITH VDI - SAFETY**

AG 10000 050	F <sub>0</sub> daN	S mm
<b>10000</b>	<b>50</b>	

--	--	--	--	--	--	--	--

N <sub>2</sub>	Smax < 90%	Vmax 2 m/s	bar psi 20 290	bar psi 150 2175	°C °F 0 32	°C °F 80 176	600 CP-
----------------	------------	------------	----------------	------------------	------------	--------------	---------

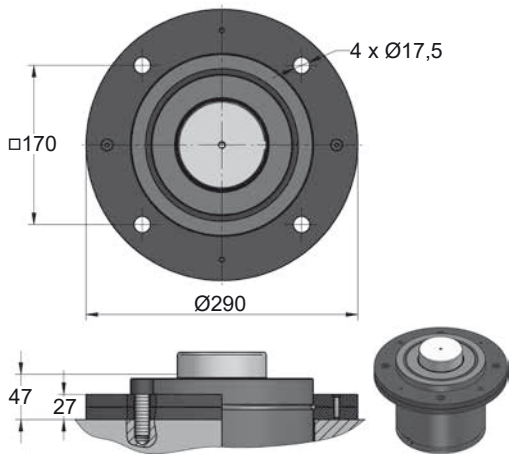


# AG 10000 MOUNTS

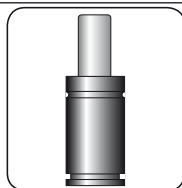
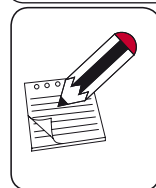
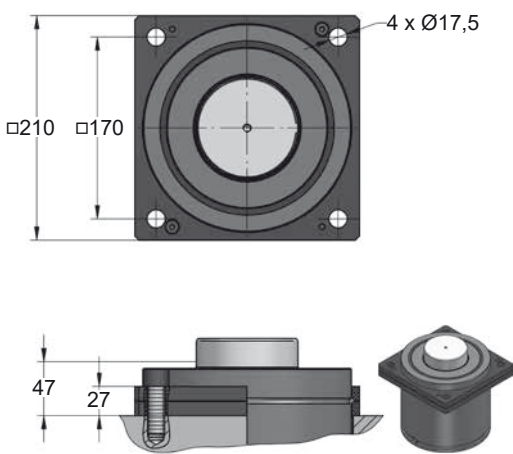
ISO

<b>MODEL</b>	<b>×</b>	CW 20000	<b>×</b>	<b>×</b>	CD 18500	<b>AG 10000</b>	<b>×</b>	<b>×</b>
<b>SERIES</b>	MINI 	COMPACT HEIGHT 	THREADED 	LOW PROFILE 	HEAVY DUTY 	ISO 	HEAVY LOAD 	POWER COMPACT STROKE 

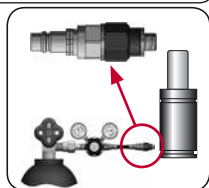
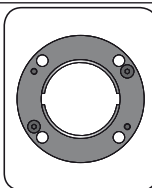
## A14-195



## A34-195



**SEAL KIT S-XXXXXXX**  
**CARTRIDGE KIT C-XXXXXXX**



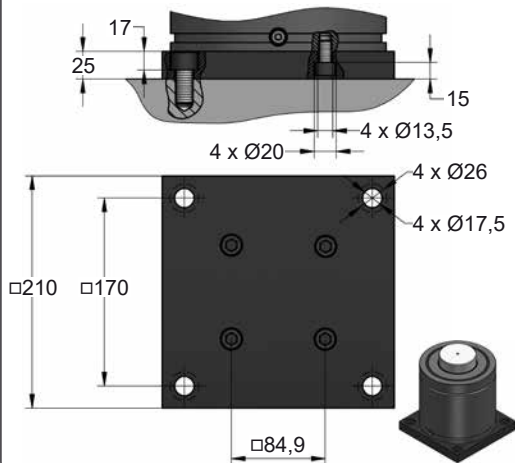
<b>CODE</b>	<b>AG 10000 050</b>	<b>KIT S-XXXXXXX</b> <b>KIT C-XXXXXXX</b>	<b>A14-195</b>	<b>18 CG 1-Q</b>
ENG ORDER	GAS SPRING	REPAIR KIT	FLANGE	CHARGING ADAPTER
DEU BESTELLUNG	GASDRUCKFEDER	ERSATZTEILSATZ	FLANSCHEN	LADEADAPTER
FRA COMMANDE	RESSORT À GAZ	KIT DE RÉPARATION	BRIDE	RACCORD DE CHARGE
ITA ORDINE	CILINDRO AD AZOTO	KIT DI MANUTENZIONE	FLANGE	ADATTATORE DI CARICO
ESP PEDIDO	RESORTE DE GAS	KIT DE REPARACION	BRIDA	ADAPTADOR DE CARGA
POR PEDIDO	CILINDRO DE GÁS	KIT DE MANUTENÇÃO	FLANGE	ADAPTADOR DE CARGA

# AG 10000 MOUNTS

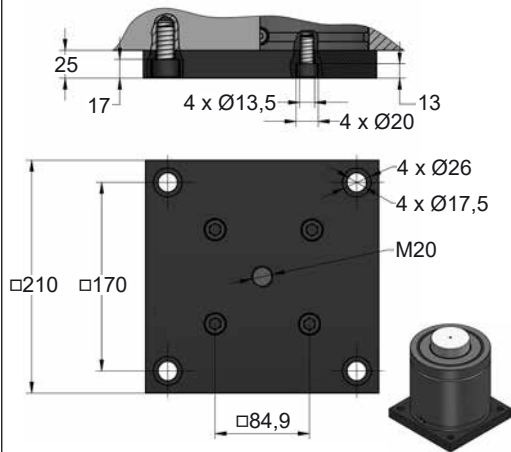
150

**AZOL  
GAS**

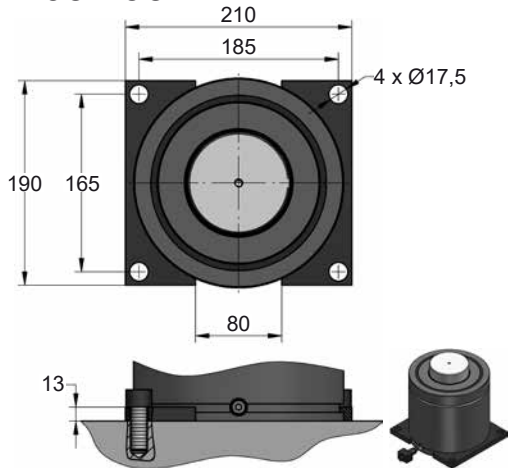
## B21-195



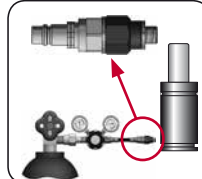
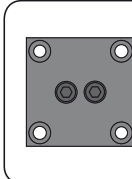
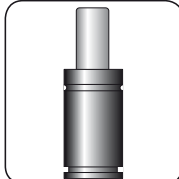
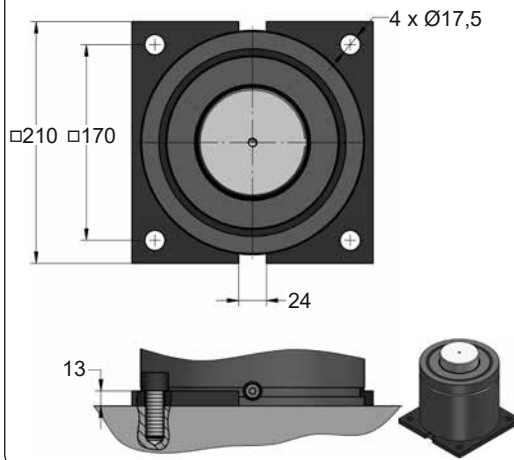
## B76-195



## C05-195



## C20-195

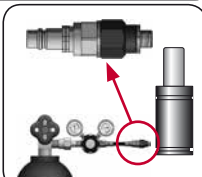
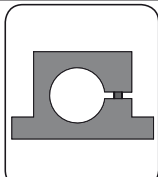
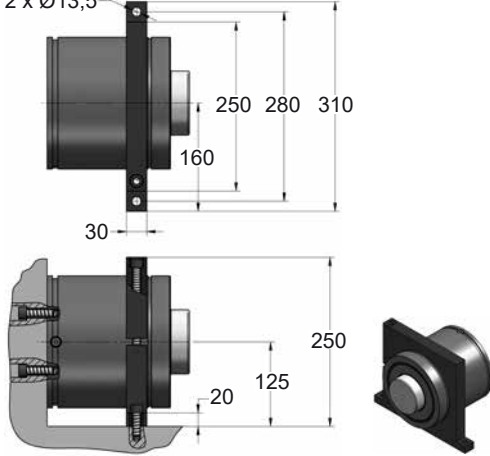


CODE	AG 10000 050	KIT S-XXXXXXX KIT C-XXXXXXX	B21-195	18 CG 1-Q
ENG ORDER	GAS SPRING	REPAIR KIT	FLANGE	CHARGING ADAPTER
DEU BESTELLUNG	GASDRUCKFEDER	ERSATZTEILSATZ	FLANSCHEN	LADEADAPTER
FRA COMMANDE	RESSORT À GAZ	KIT DE RÉPARATION	BRIDE	RACCORD DE CHARGE
ITA ORDINE	CILINDRO AD AZOTO	KIT DI MANUTENZIONE	FLANGE	ADATTATORE DI CARICO
ESP PEDIDO	RESORTE DE GAS	KIT DE REPARACION	BRIDA	ADAPTADOR DE CARGA
POR PEDIDO	CILINDRO DE GÁS	KIT DE MANUTENÇÃO	FLANGE	ADAPTADOR DE CARGA



**D02-195**

2 x Ø13,5



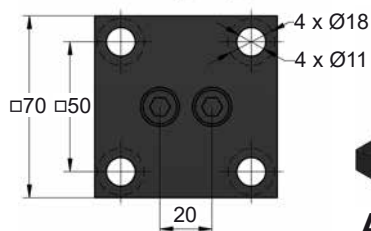
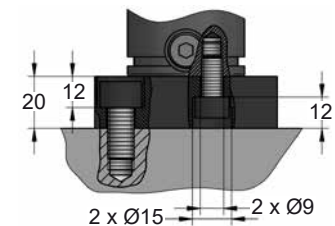
CODE	AG 10000 050	KIT S-XXXXXXX KIT C-XXXXXXX	D02-195	18 CG 1-Q
ENG ORDER	GAS SPRING	REPAIR KIT	FLANGE	CHARGING ADAPTER
DEU BESTELLUNG	GASDRUCKFEDER	ERSATZTEILSATZ	FLANSCHEN	LADEADAPTER
FRA COMMANDE	RESSORT À GAZ	KIT DE RÉPARATION	BRIDE	RACCORD DE CHARGE
ITA ORDINE	CILINDRO AD AZOTO	KIT DI MANUTENZIONE	FLANGE	ADATTATORE DI CARICO
ESP PEDIDO	RESORTE DE GAS	KIT DE REPARACION	BRIDA	ADAPTADOR DE CARGA
POR PEDIDO	CILINDRO DE GÁS	KIT DE MANUTENÇÃO	FLANGE	ADAPTADOR DE CARGA

# MOUNTS

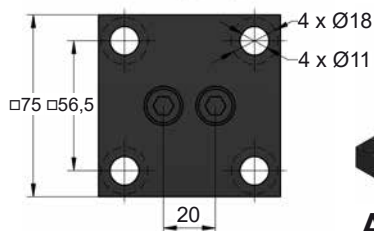
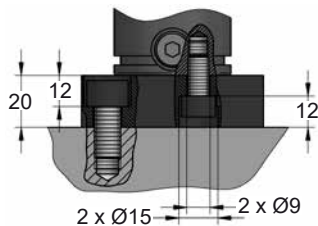
150

**AZOL  
GAS** 


## B51-045

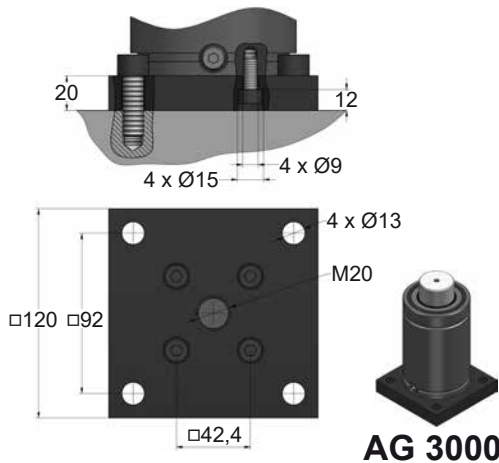
**AG 500**

## B51-050


**AG 750**

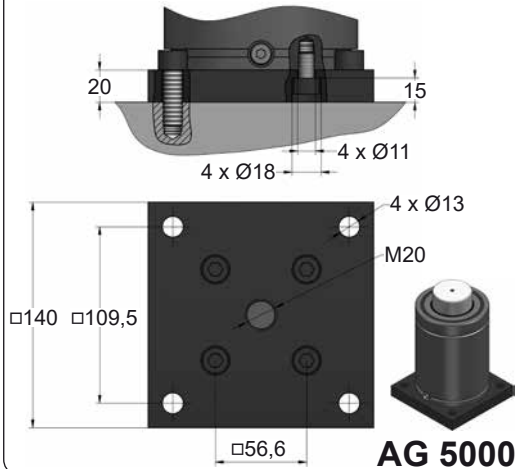
## B16-095

 E24.54.815.G




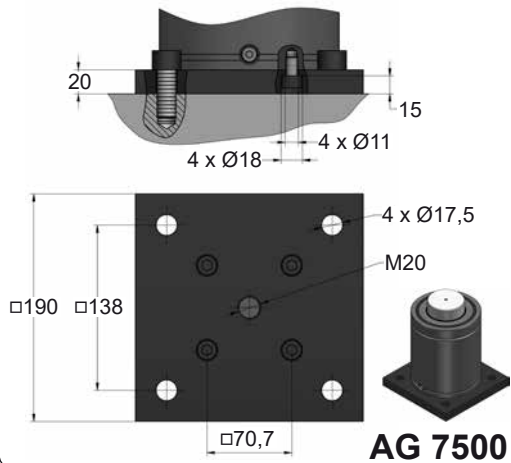
## B16-120

 E24.54.815.G



## B16-150

 E24.54.815.G



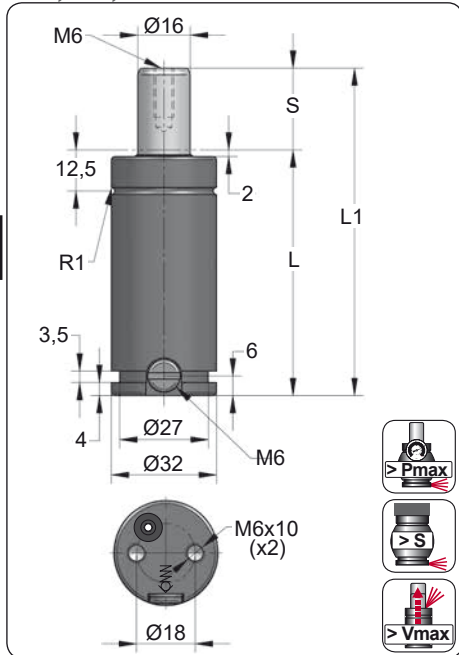




# CD 300 V1

Heavy Duty

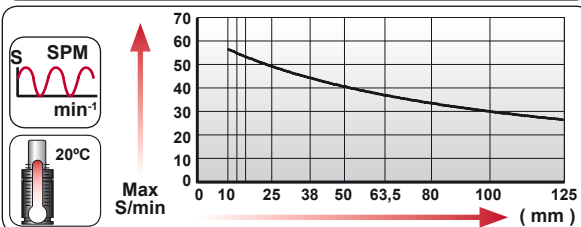
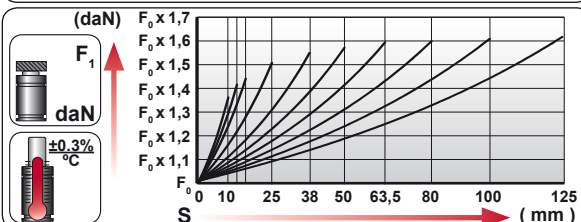
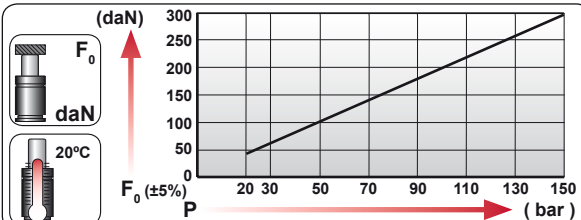


ORDER	S (mm)	L1 ±0.25 (mm)	L (mm)	Kg.
CD 300 010 V1	10	70	60	0.29
CD 300 012 V1	12.7	75.4	62.7	0.29
CD 300 016 V1	16	82	66	0.31
CD 300 025 V1	25	100	75	0.34
CD 300 038 V1	38	126	88	0.38
CD 300 050 V1	50	150	100	0.42
CD 300 063 V1	63.5	177	113.5	0.47
CD 300 080 V1	80	210	130	0.52
CD 300 100 V1	100	250	150	0.59
CD 300 125 V1	125	300	175	0.68



CODE				
	bar	psi	daN	daN
CD 300 050 V1	150	2175	300	470
CD-H 300 050 V1	0	0	---	---



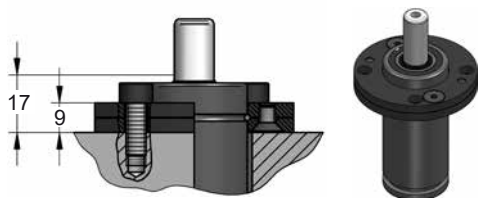
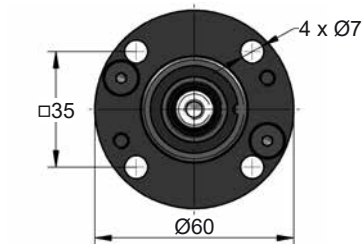
**EQUIPPED WITH VDI - SAFETY**

ENG	ORDER		
DEU	BESTELLUNG	daN	mm
FRA	COMMANDE		
ITA	ORDINE		
ESP	PEDIDO		
POR	PEDIDO		
CD 300 050 V1		300	50

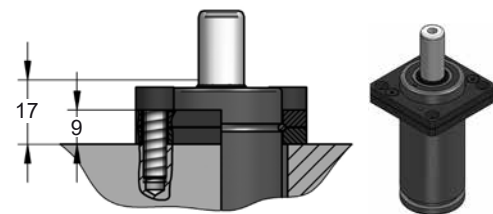
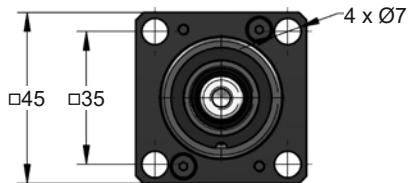
N <sub>2</sub>	Smax < 90%	Vmax 1,6 m/s	Pmin (20°C)	Pmax (20°C)	Tmin	Tmax	600 CP-

bar	psi	bar	psi	°C	°F	°C	°F	
20	290	150	2175	0	32	80	176	

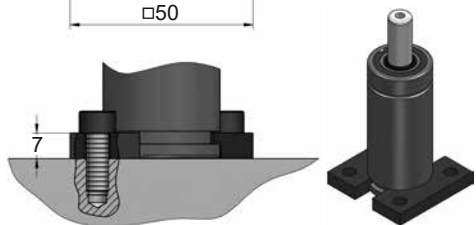
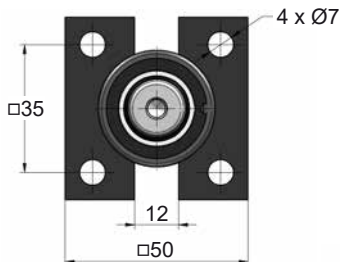
## A14-032



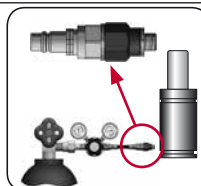
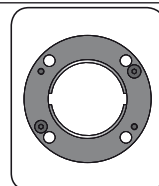
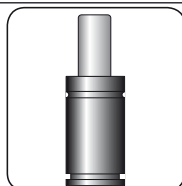
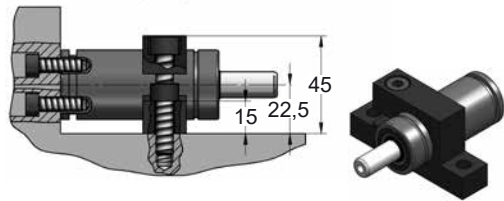
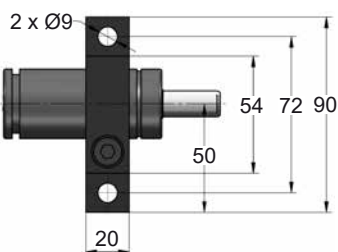
## A34-032



## C20-032



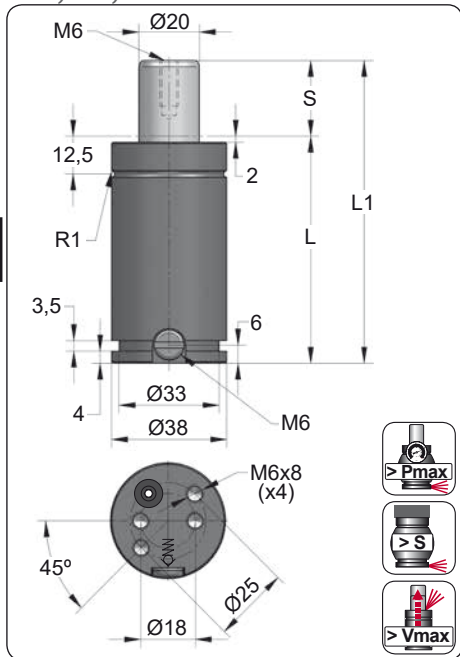
## D02-032



CODE	CD 300 050 V1	KIT S-XXXXXXX KIT C-XXXXXXX	A14-032	06 CG 2-Q
ENG ORDER	GAS SPRING	REPAIR KIT	FLANGE	CHARGING ADAPTER
DEU BESTELLUNG	GASDRUCKFEDER	ERSATZTEILSATZ	FLANSCHEN	LADEADAPTER
FRA COMMANDE	RESSORT À GAZ	KIT DE RÉPARATION	BRIDE	RACCORD DE CHARGE
ITA ORDINE	CILINDRO AD AZOTO	KIT DI MANUTENZIONE	FLANGE	ADATTATORE DI CARICO
ESP PEDIDO	RESORTE DE GAS	KIT DE REPARACION	BRIDA	ADAPTADOR DE CARGA
POR PEDIDO	CILINDRO DE GAS	KIT DE MANUTENÇÃO	FLANGE	ADAPTADOR DE CARGA

# CD 500 V1

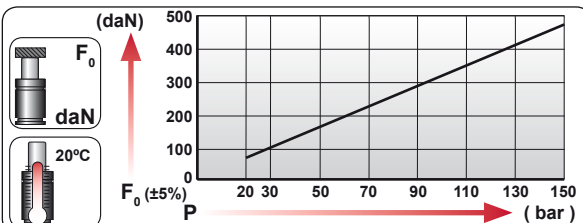
Heavy Duty



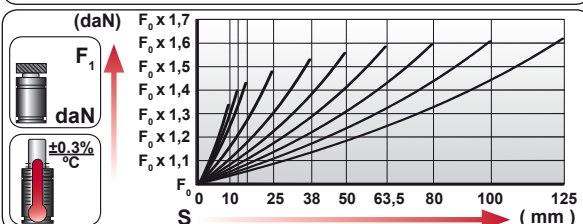
ORDER	S (mm)	L1 ±0.25 (mm)	L (mm)	Kg.
CD 500 010 V1	10	70	60	0.40
CD 500 012 V1	12.7	75.4	62.7	0.41
CD 500 016 V1	16	82	66	0.43
CD 500 025 V1	25	100	75	0.47
CD 500 038 V1	38	126	88	0.54
CD 500 050 V1	50	150	100	0.59
CD 500 063 V1	63.5	177	113.5	0.66
CD 500 080 V1	80	210	130	0.74
CD 500 100 V1	100	250	150	0.83
CD 500 125 V1	125	300	175	0.95



CODE				
	bar	psi	daN	daN
CD 500 050 V1	150	1885	470	730
CD-H 500 050 V1	0	0	---	---

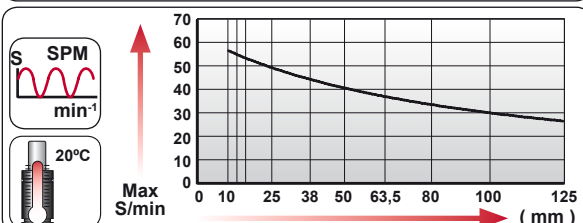


**EQUIPPED WITH VDI - SAFETY**



ENG ORDER	DEU BESTELLUNG	FRA COMMANDE	ITA ORDINE	ESP PEDIDO	POR PEDIDO
		daN	mm		

**CD 500 050 V1**     **500**     **50**



--	--	--	--	--	--	--	--

N <sub>2</sub>	Smax < 90%	Vmax 1,6 m/s	bar psi	bar psi	°C °F	°C °F	600 CP-
			20 290	150 2175	0 32	80 176	

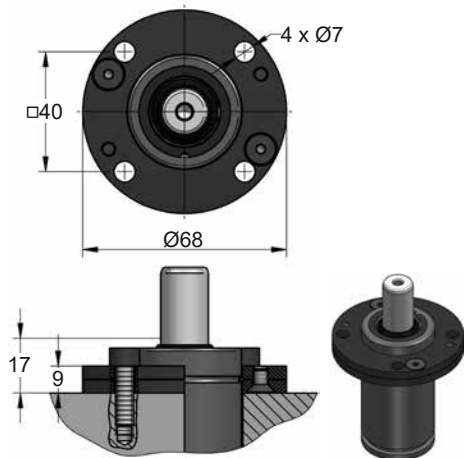




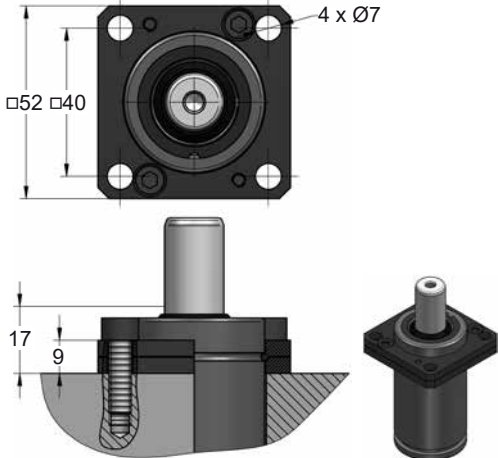
# CD 500 V1 MOUNTS

Heavy Duty

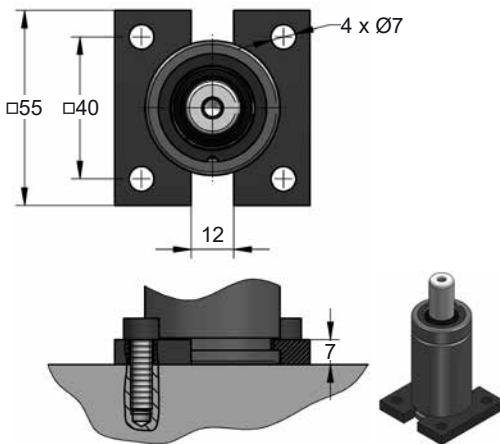
## A14-038



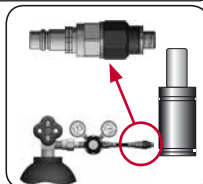
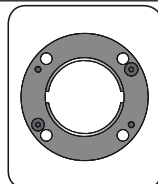
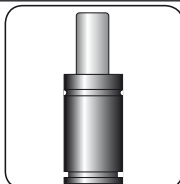
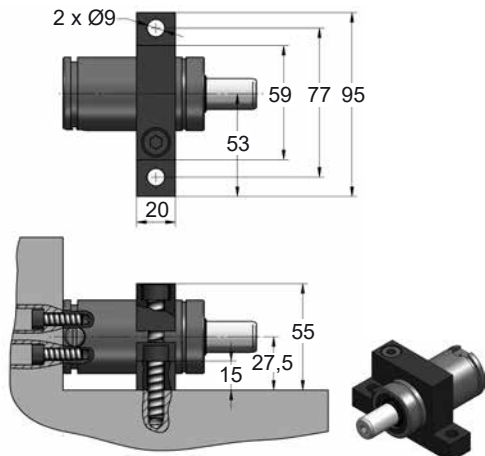
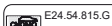
## A34-038



## C20-038



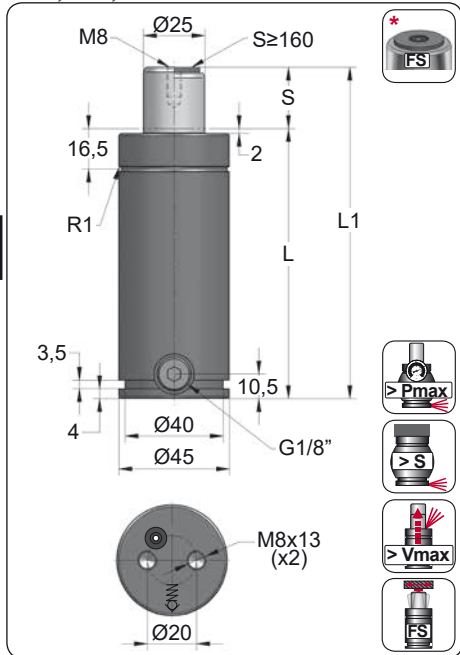
## D02-038



CODE	CD 500 050 V1	KIT S-XXXXXXX KIT C-XXXXXXX	A14-038	06 CG 2-Q
ENG ORDER	GAS SPRING	REPAIR KIT	FLANGE	CHARGING ADAPTER
DEU BESTELLUNG	GASDRUCKFEDER	ERSATZTEILSATZ	FLANSCHEN	LADEADAPTER
FRA COMMANDE	RESSORT À GAZ	KIT DE RÉPARATION	BRIDE	RACCORD DE CHARGE
ITA ORDINE	CILINDRO AD AZOTO	KIT DI MANUTENZIONE	FLANGE	ADATTATORE DI CARICO
ESP PEDIDO	RESORTE DE GAS	KIT DE REPARACION	BRIDA	ADAPTADOR DE CARGA
POR PEDIDO	CILINDRO DE GÁS	KIT DE MANUTENÇÃO	FLANGE	ADAPTADOR DE CARGA

# CD 700

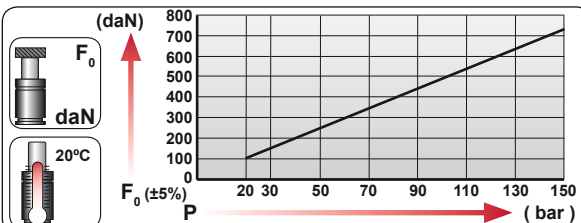
Heavy Duty



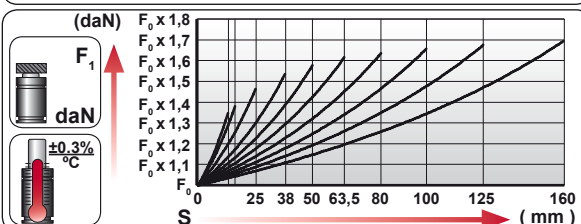
ORDER	S (mm)	L1 ±0.25 (mm)	L (mm)	Kg.
CD 700 012	12.7	110.4	97.7	0.90
CD 700 016	16	117	101	0.92
CD 700 025	25	135	110	0.98
CD 700 038	38	161	123	1.06
CD 700 050	50	185	135	1.13
CD 700 063	63.5	212	148.5	1.22
CD 700 080	80	245	165	1.32
CD 700 100	100	285	185	1.44
CD 700 125	125	335	210	1.60
CD 700 160 *	160	405	245	1.82



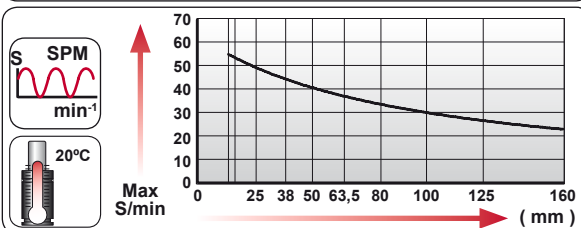
CODE					
		bar	psi		
CD 700 050		140	2030	690	1090
CD-H 700 050		0	0	---	---



**EQUIPPED WITH VDI - SAFETY**



	ENG	ORDER		
	DEU	BESTELLUNG		
	FRA	COMMANDE		
	ITA	ORDINE		
	ESP	PEDIDO		
POR	PEDIDO			
<b>CD 700 050</b>	<b>700</b>	<b>50</b>	daN	mm



N <sub>2</sub>	S <sub>max</sub> < 90%	V <sub>max</sub> 1,6 m/s	P <sub>min</sub> (20°C)	P <sub>max</sub> (20°C)	T <sub>min</sub>	T <sub>max</sub>	600 CP-

bar	psi	bar	psi	°C	°F	°C	°F
20	290	150	2175	0	32	80	176



# CD 700 MOUNTS

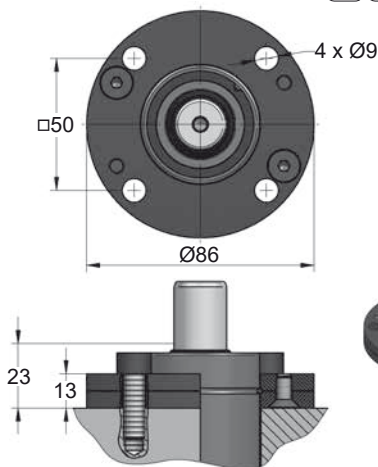
Heavy Duty

<b>MODEL</b>	<b>X</b>	CW 750 KZ 750	<b>X</b>	CK 750 FD 500	<b>CM 600 CD 700</b>	AG 500	CPH 1250	<b>X</b>
<b>SERIES</b>	MINI	COMPACT HEIGHT	THREADED	LOW PROFILE	HEAVY DUTY	ISO	HEAVY LOAD	POWER COMPACT STROKE

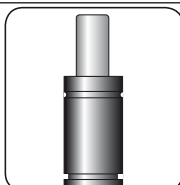
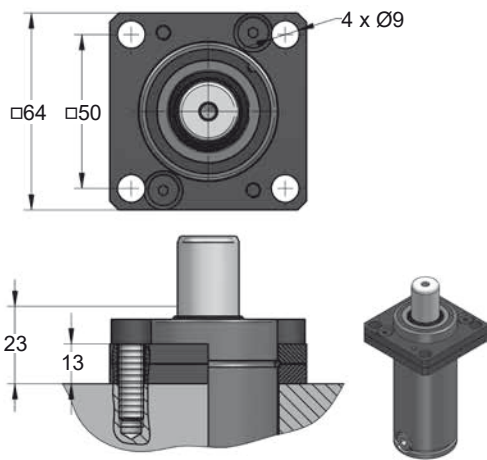
## A14-045



E24.54.815.G  
EM24.54.700.F



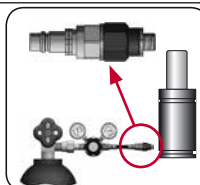
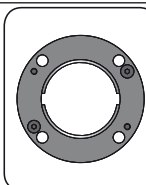
## A34-045



SEAL KIT S-XXXXXXX



CARTRIDGE KIT C-XXXXXXX



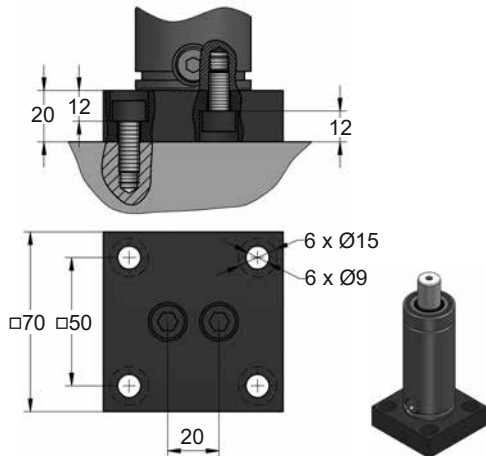
<b>CODE</b>	<b>CD 700 050</b>	<b>KIT S-XXXXXXX KIT C-XXXXXXX</b>	<b>A14-045</b>	<b>18 CG 1-Q</b>
ENG ORDER	GAS SPRING	REPAIR KIT	FLANGE	CHARGING ADAPTER
DEU BESTELLUNG	GASDRUCKFEDER	ERSATZTEILSATZ	FLANSCHEN	LADEADAPTER
FRA COMMANDE	RESSORT À GAZ	KIT DE RÉPARATION	BRIDE	RACCORD DE CHARGE
ITA ORDINE	CILINDRO AD AZOTO	KIT DI MANUTENZIONE	FLANGE	ADATTATORE DI CARICO
ESP PEDIDO	RESORTE DE GAS	KIT DE REPARACION	BRIDA	ADAPTADOR DE CARGA
POR PEDIDO	CILINDRO DE GÁS	KIT DE MANUTENÇÃO	FLANGE	ADAPTADOR DE CARGA

# CD 700 MOUNTS

Heavy Duty

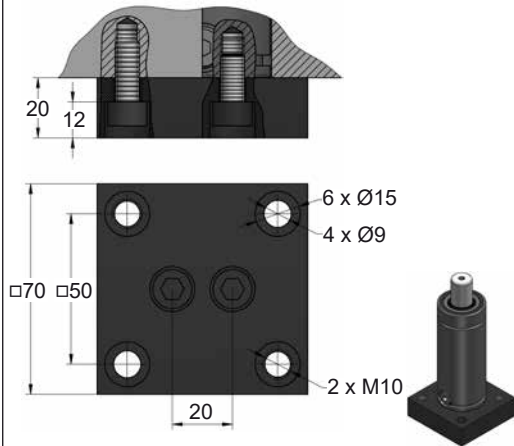
**AZOL**  
**GAS**

## B21-045

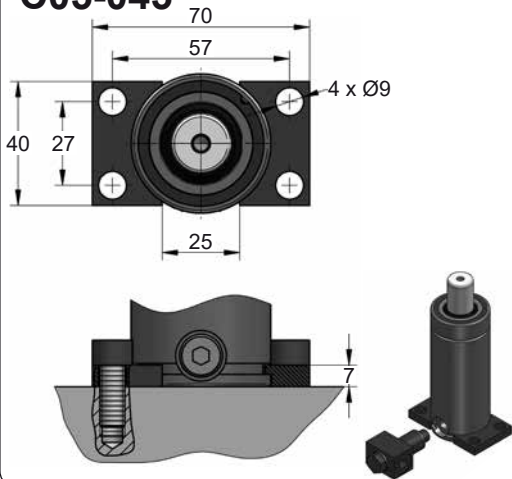


## B76-045

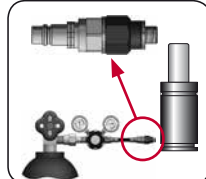
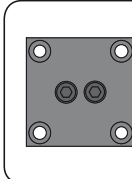
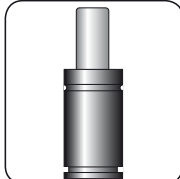
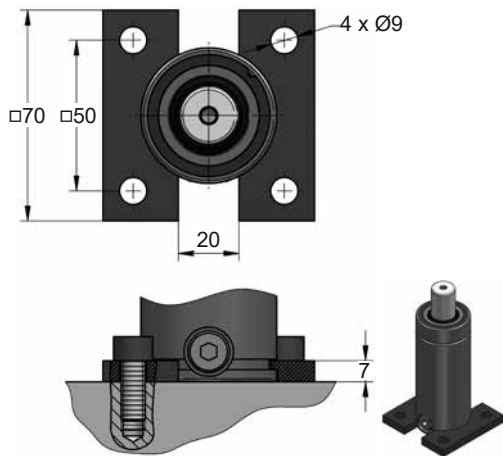
E24.54.815.G



## C05-045

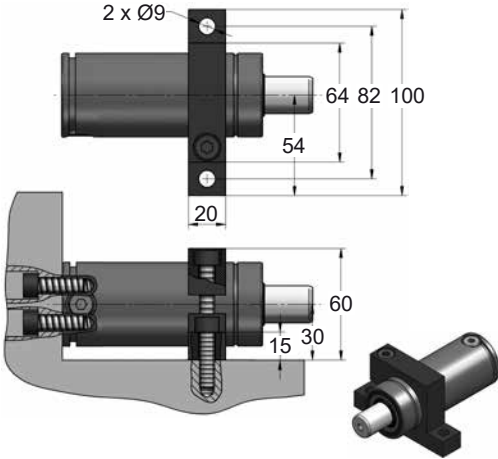


## C20-045

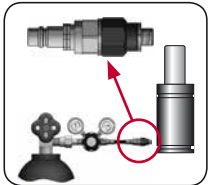
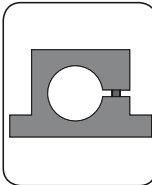
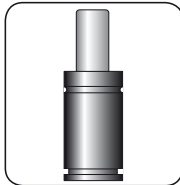
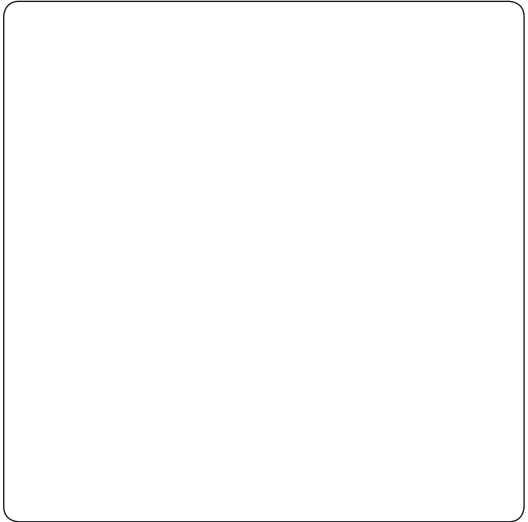
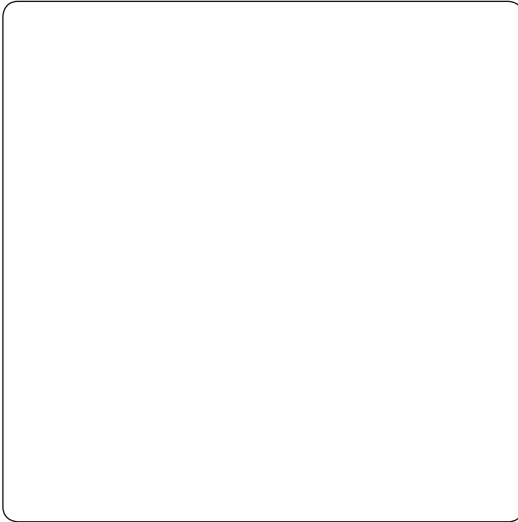
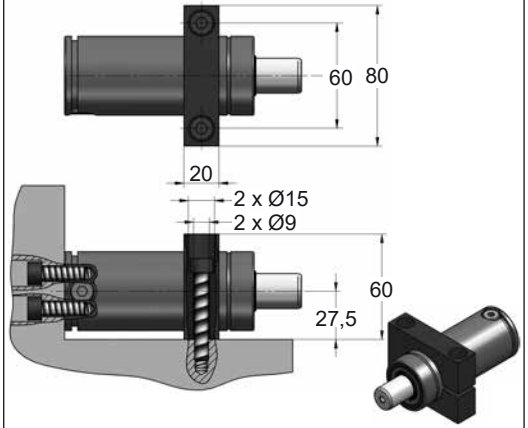
 E24.54.815.G  
EM24.54.700/F


CODE	CD 700 050	KIT S-XXXXXXX KIT C-XXXXXXX	B21-045	18 CG 1-Q	
ENG	ORDER	GAS SPRING	REPAIR KIT	FLANGE	CHARGING ADAPTER
DEU	BESTELLUNG	GASDRUCKFEDER	ERSATZTEILSATZ	FLANSCHEN	LADEADAPTER
FRA	COMMANDE	RESSORT À GAZ	KIT DE RÉPARATION	BRIDE	RACCORD DE CHARGE
ITA	ORDINE	CILINDRO AD AZOTO	KIT DI MANUTENZIONE	FLANGE	ADATTATORE DI CARICO
ESP	PEDIDO	RESORTE DE GAS	KIT DE REPARACION	BRIDA	ADAPTADOR DE CARGA
POR	PEDIDO	CILINDRO DE GÁS	KIT DE MANUTENÇÃO	FLANGE	ADAPTADOR DE CARGA

**D02-045**



**D67-045**

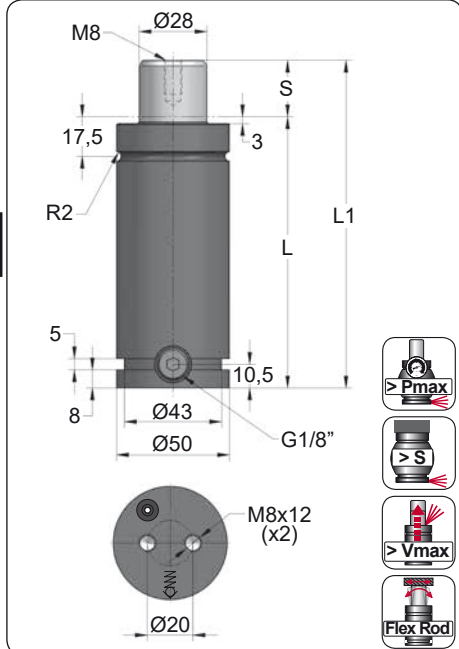


CODE	CD 700 050	KIT S-XXXXXXX KIT C-XXXXXXX	D02-045	18 CG 1-Q
ENG ORDER	GAS SPRING	REPAIR KIT	FLANGE	CHARGING ADAPTER
DEU BESTELLUNG	GASDRUCKFEDER	ERSATZTEILSATZ	FLANSCHEN	LADEADAPTER
FRA COMMANDE	RESSORT À GAZ	KIT DE RÉPARATION	BRIDE	RACCORD DE CHARGE
ITA ORDINE	CILINDRO AD AZOTO	KIT DI MANUTENZIONE	FLANGE	ADATTATORE DI CARICO
ESP PEDIDO	RESORTE DE GAS	KIT DE REPARACION	BRIDA	ADAPTADOR DE CARGA
POR PEDIDO	CILINDRO DE GÁS	KIT DE MANUTENÇÃO	FLANGE	ADAPTADOR DE CARGA

# CD 1000 V1

Heavy Duty

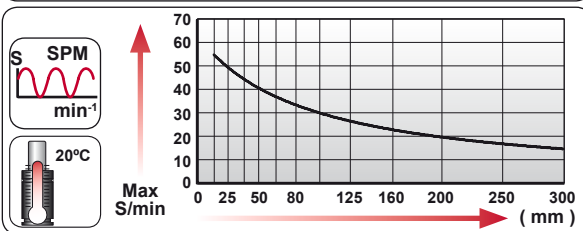
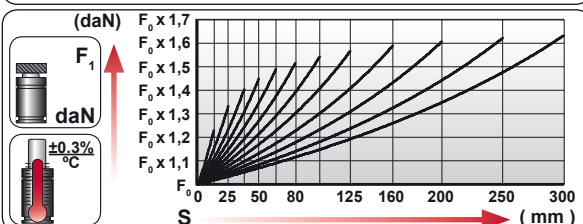
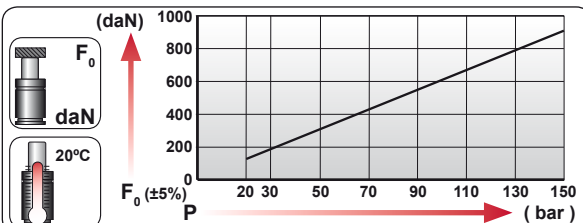
VW 39D 838	GM 90.25.05	
------------	-------------	--



ORDER	S (mm)	L1 ±0.25 (mm)	L (mm)	Kg.
CD 1000 013 V1	13	121	108	1.26
CD 1000 025 V1	25	145	120	1.36
CD 1000 038 V1	38	171	133	1.47
CD 1000 050 V1	50	195	145	1.57
CD 1000 063 V1	63.5	222	158.5	1.69
CD 1000 080 V1	80	255	175	1.83
CD 1000 100 V1	100	295	195	1.99
CD 1000 125 V1	125	345	220	2.20
CD 1000 160 V1	160	415	255	2.50
CD 1000 200 V1	200	495	295	2.83
CD 1000 250 V1	250	595	345	3.25
CD 1000 300 V1	300	695	395	3.67



CODE				
	bar	psi	daN	daN
CD 1000 050 V1	150	2175	925	1340
CD-H 1000 050 V1	0	0	---	---



**EQUIPPED WITH VDI - SAFETY**

	ENG ORDER DEU BESTELLUNG FRA COMMANDE ITA ORDINE ESP PEDIDO POR PEDIDO		
		daN	mm
<b>CD 1000 050 V1</b>		<b>1000</b>	<b>50</b>









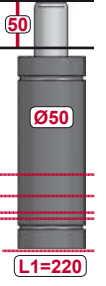


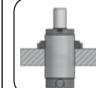


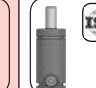


N <sub>2</sub>	S <sub>max</sub> < 90%	V <sub>max</sub> 1,6 m/s	P <sub>min</sub> (20°C)	P <sub>max</sub> (20°C)	T <sub>min</sub>	T <sub>max</sub>	600 CP-

bar	psi	bar	psi	°C	°F	°C	°F
20	290	150	2175	0	32	80	176

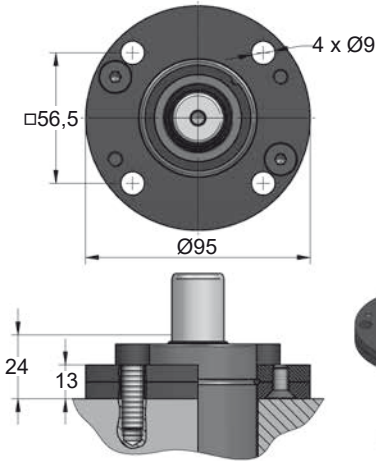


# CD 1000 V1 MOUNTS

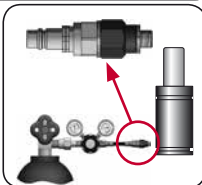
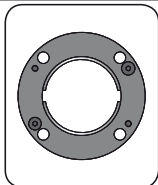
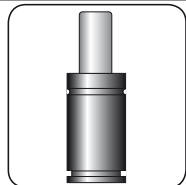
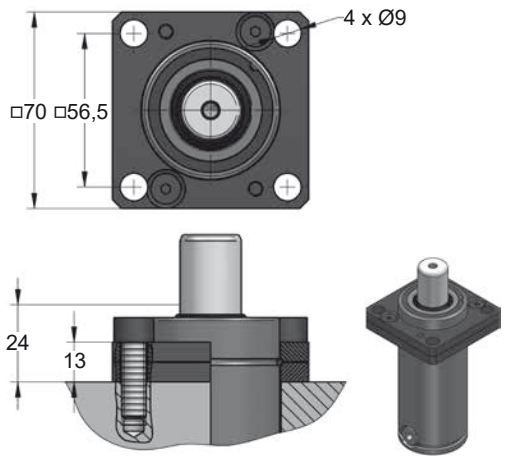
Heavy Duty

								
			L1=138 L1=152 L1=152	L1=138 L1=150 L1=150	L1=170 L1=185 L1=195	L1=195	L1=165 L1=175	L1=220
MODEL	<b>X</b>	CW 1000 KZ 1000 KT 1000	<b>X</b>	CT 750 CK 1000 FD 750	GN 750 CM 1000 CD 1000	AG 750	CPH 1700 CP 2000	CS 1800
SERIES	MINI	COMPACT HEIGHT	THREADED	LOW PROFILE	HEAVY DUTY	ISO	HEAVY LOAD	POWER COMPACT STROKE
								

## A14-050



## A34-050



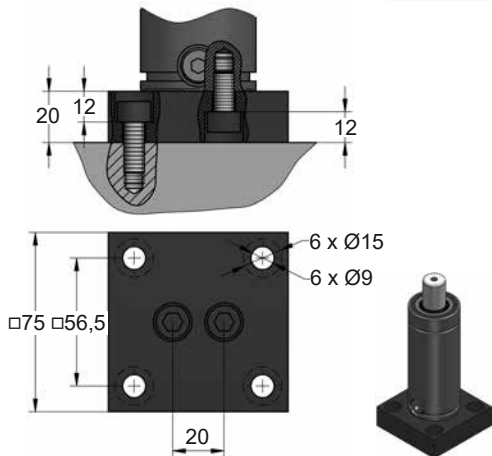
CODE	CD 1000 050 V1	KIT S-XXXXXXX KIT C-XXXXXXX	A14-050	18 CG 1-Q
ENG ORDER	GAS SPRING	REPAIR KIT	FLANGE	CHARGING ADAPTER
DEU BESTELLUNG	GASDRUCKFEDER	ERSATZTEILSATZ	FLANSCH	LADEADAPTER
FRA COMMANDE	RESSORT À GAZ	KIT DE RÉPARATION	BRIDE	RACCORD DE CHARGE
ITA ORDINE	CILINDRO AD AZOTO	KIT DI MANUTENZIONE	FLANGE	ADATTATORE DI CARICO
ESP PEDIDO	RESORTE DE GAS	KIT DE REPARACION	BRIDA	ADAPTADOR DE CARGA
POR PEDIDO	CILINDRO DE GÁS	KIT DE MANUTENÇÃO	FLANGE	ADAPTADOR DE CARGA

# CD 1000 V1 MOUNTS

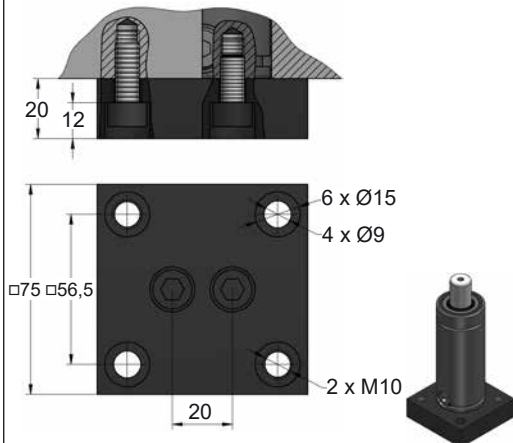
Heavy Duty

**AZOL**  
**GAS**

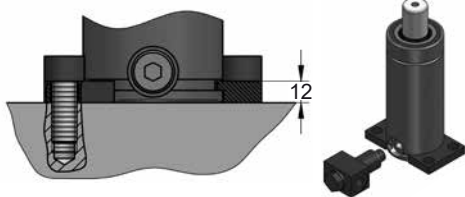
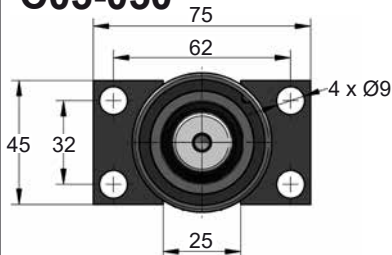
## B21-050



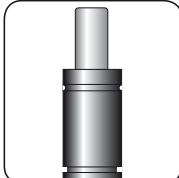
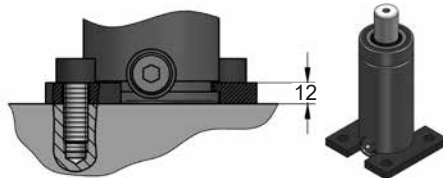
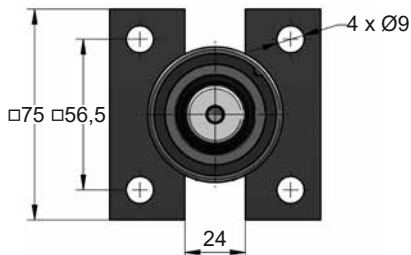
## B76-050



## C05-050



## C20-050



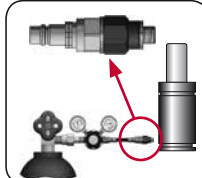
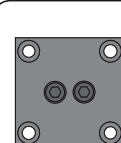
SEAL

KIT S-XXXXXXX



CARTRIDGE

KIT C-XXXXXXX



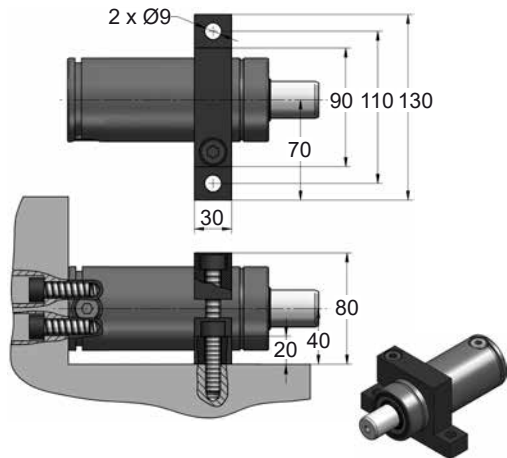
CODE	CD 1000 050 V1	KIT S-XXXXXXX KIT C-XXXXXXX	B21-050	18 CG 1-Q
ENG	ORDER	GAS SPRING	FLANGE	CHARGING ADAPTER
DEU	BESTELLUNG	GASDRUCKFEDER	FLANSCH	LADEADAPTER
FRA	COMMANDE	RESSORT À GAZ	BRIDE	RACCORD DE CHARGE
ITA	ORDINE	CILINDRO AD AZOTO	FLANGE	ADATTATORE DI CARICO
ESP	PEDIDO	RESORTE DE GAS	BRIDA	ADAPTADOR DE CARGA
POR	PEDIDO	CILINDRO DE GÁS	FLANGE	ADAPTADOR DE CARGA



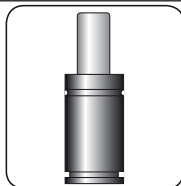
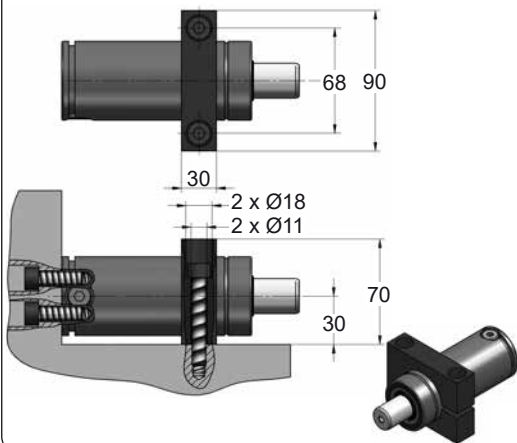
# CD 1000 V1 MOUNTS

Heavy Duty

## D02-050



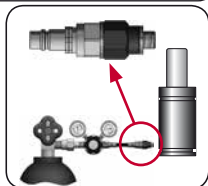
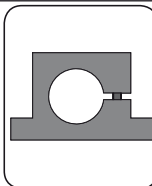
## D67-050



**SEAL  
KIT S-XXXXXXX**



**CARTRIDGE  
KIT C-XXXXXXX**

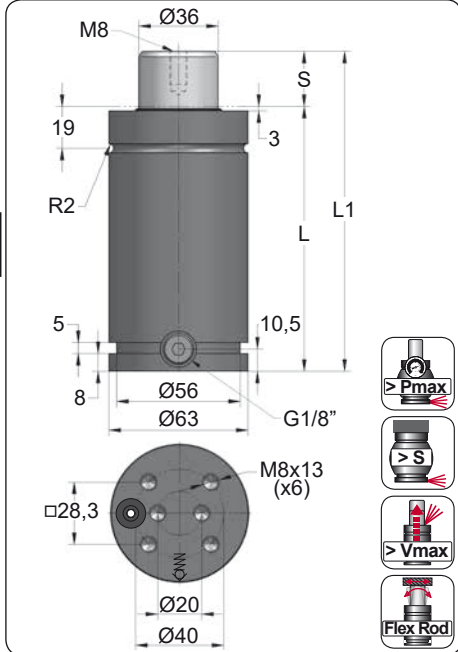


CODE	CD 1000 050 V1	KIT S-XXXXXXX KIT C-XXXXXXX	D02-050	18 CG 1-Q
ENG	ORDER	GAS SPRING	FLANGE	CHARGING ADAPTER
DEU	BESTELLUNG	GASDRUCKFEDER	FLANSCHEN	LADEADAPTER
FRA	COMMANDE	RESSORT À GAZ	BRIDE	RACCORD DE CHARGE
ITA	ORDINE	CILINDRO AD AZOTO	FLANGE	ADATTATORE DI CARICO
ESP	PEDIDO	RESORTE DE GAS	BRIDA	ADAPTADOR DE CARGA
POR	PEDIDO	CILINDRO DE GÁS	FLANGE	ADAPTADOR DE CARGA

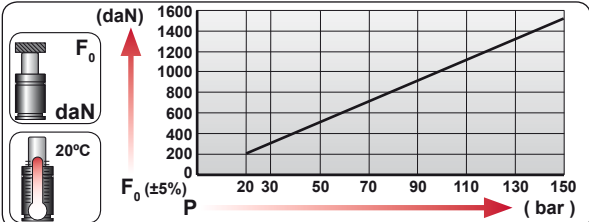
# CD 1500 V2

Heavy Duty

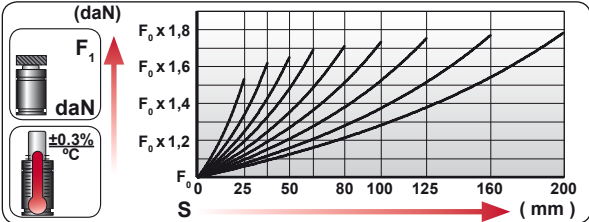


ORDER	S (mm)	L1 ±0.25 (mm)	L (mm)	Kg.
CD 1500 025 V2	25	145	120	2.19
CD 1500 038 V2	38	171	133	2.35
CD 1500 050 V2	50	195	145	2.50
CD 1500 063 V2	63	221	158	2.67
CD 1500 080 V2	80	255	175	2.88
CD 1500 100 V2	100	295	195	3.13
CD 1500 125 V2	125	345	220	3.45
CD 1500 160 V2	160	415	255	3.89
CD 1500 200 V2	200	495	295	4.39

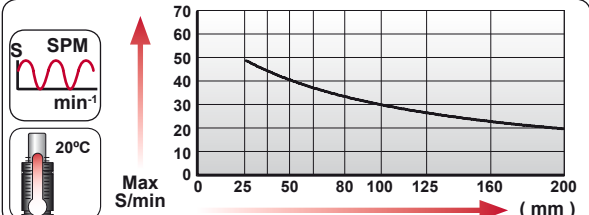


CODE	Pressure Gauge	bar	psi	F <sub>0</sub> daN	F <sub>1</sub> daN
CD 1500 050 V2		150	2175	1530	2525
CD-H 1500 050 V2		0	0	---	---



**EQUIPPED WITH VDI - SAFETY**

Language	Ordering Term	F <sub>0</sub> daN	S mm
ENG ORDER	BESTELLUNG	1500	50
DEU BESTELLUNG	COMMANDE		
FRA COMMANDE	ORDINE		
ITA ORDINE	ESP PEDIDO		
ESP PEDIDO	POR PEDIDO		



--	--	--	--	--	--	--	--

N <sub>2</sub>	Smax < 90%	Vmax 1,6 m/s	bar psi	bar psi	°C °F	°C °F	600 CP-
			20 290	150 2175	0 32	80 176	

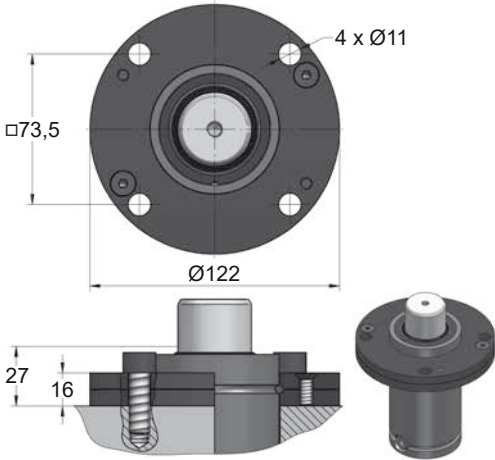


# CD 1500 V2 MOUNTS

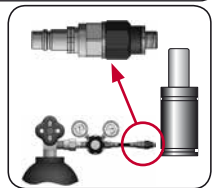
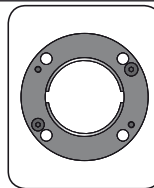
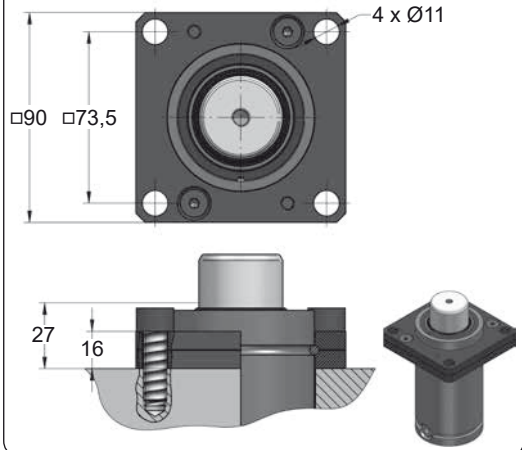
Heavy Duty

<b>MODEL</b>	<b>X</b> CW 1500 KZ 1500 KT 1500	<b>X</b>	CT 1500 CK 1500	<b>CM 1500</b> <b>CD 1500</b>	<b>X</b>	CPH 2800 CP 3000	CS 3000	
<b>SERIES</b>	MINI 	COMPACT HEIGHT 	THREADED 	LOW PROFILE 	HEAVY DUTY 	ISO 	HEAVY LOAD 	POWER COMPACT STROKE 

## A14-063



## A39-063



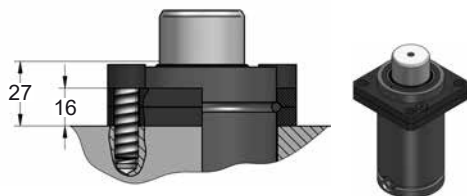
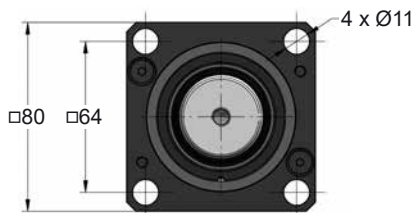
<b>CODE</b>	<b>CD 1500 050 V2</b>	<b>KIT S-XXXXXXX</b> <b>KIT C-XXXXXXX</b>	<b>A14-063</b>	<b>18 CG 1-Q</b>
ENG ORDER	GAS SPRING	REPAIR KIT	FLANGE	CHARGING ADAPTER
DEU BESTELLUNG	GASDRUCKFEDER	ERSATZTEILSATZ	FLANSCHEN	LADEADAPTER
FRA COMMANDE	RESSORT À GAZ	KIT DE RÉPARATION	BRIDE	RACCORD DE CHARGE
ITA ORDINE	CILINDRO AD AZOTO	KIT DI MANUTENZIONE	FLANGE	ADATTATORE DI CARICO
ESP PEDIDO	RESORTE DE GAS	KIT DE REPARACION	BRIDA	ADAPTADOR DE CARGA
POR PEDIDO	CILINDRO DE GÁS	KIT DE MANUTENÇÃO	FLANGE	ADAPTADOR DE CARGA

# CD 1500 V2 MOUNTS

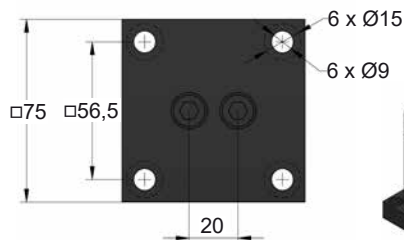
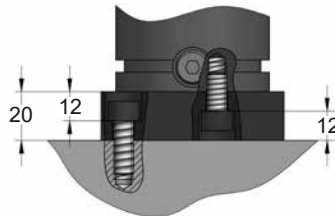
Heavy Duty

**AZOL**  
**GAS**

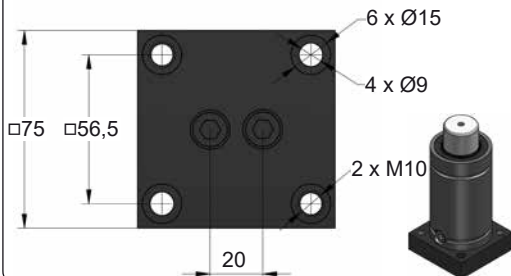
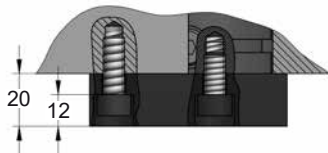
## A69-063



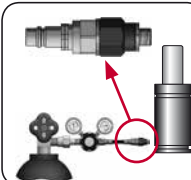
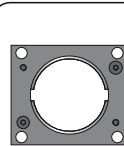
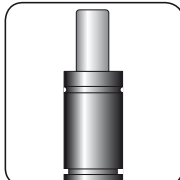
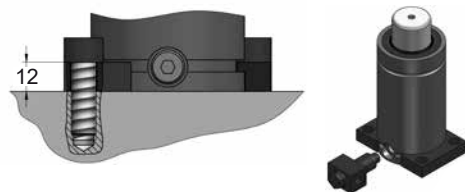
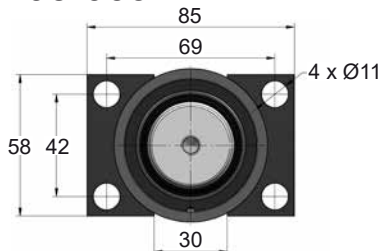
## B21-063



## B76-063



## C05-063

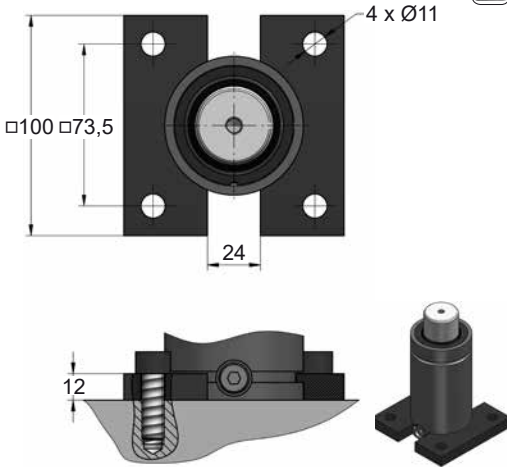


CODE	CD 1500 050 V2	KIT S-XXXXXXX KIT C-XXXXXXX	A69-063	18 CG 1-Q
ENG	ORDER	GAS SPRING	FLANGE	CHARGING ADAPTER
DEU	BESTELLUNG	GASDRUCKFEDER	FLANSCH	LADEADAPTER
FRA	COMMANDE	RESSORT À GAZ	BRIDE	RACCORD DE CHARGE
ITA	ORDINE	CILINDRO AD AZOTO	FLANGE	ADATTATORE DI CARICO
ESP	PEDIDO	RESORTE DE GAS	BRIDA	ADAPTADOR DE CARGA
POR	PEDIDO	CILINDRO DE GÁS	FLANGE	ADAPTADOR DE CARGA

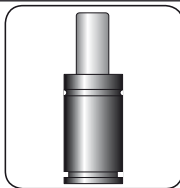
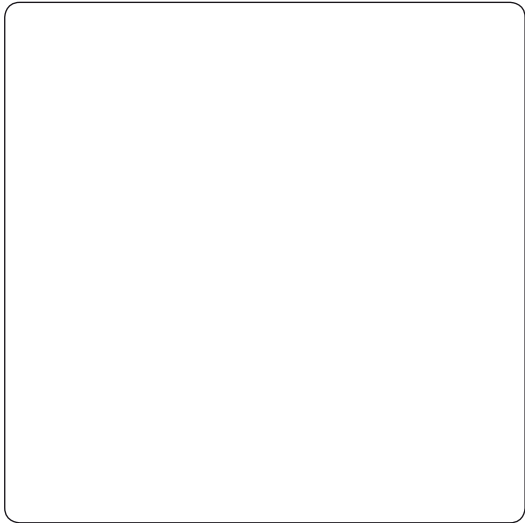
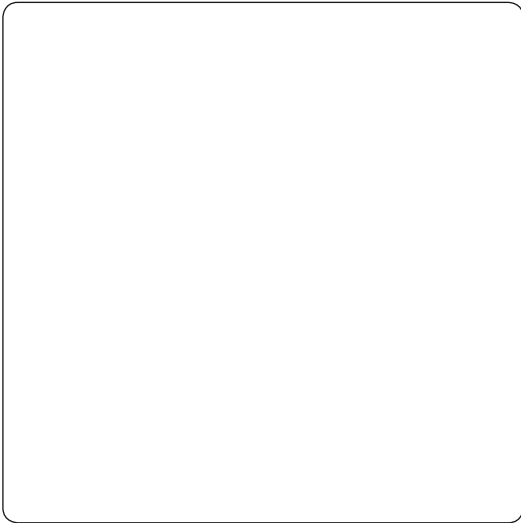
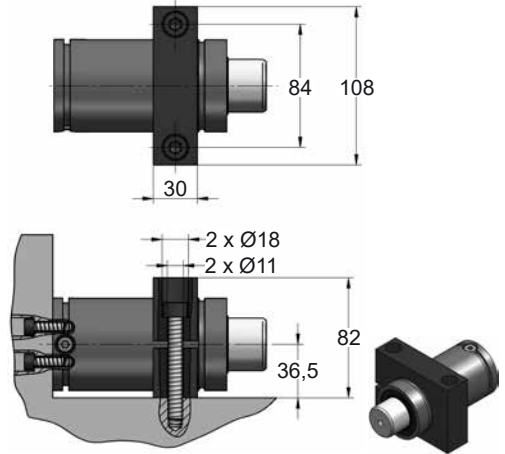
# CD 1500 V2 MOUNTS

Heavy Duty

## C35-063

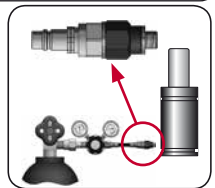
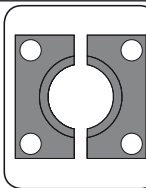


## D67-063



**SEAL**  
KIT S-XXXXXXX

**CARTRIDGE**  
KIT C-XXXXXXX

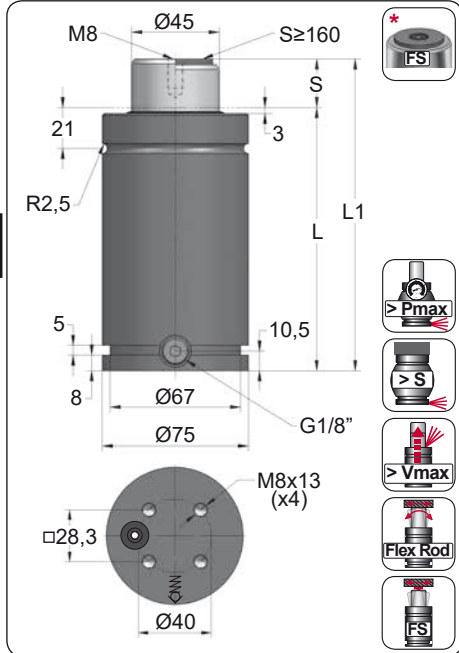


CODE	CD 1500 050 V2	KIT S-XXXXXXX KIT C-XXXXXXX	C35-063	18 CG 1-Q
ENG	ORDER	GAS SPRING	FLANGE	CHARGING ADAPTER
DEU	BESTELLUNG	GASDRUCKFEDER	FLANSCHEN	LADEADAPTER
FRA	COMMANDE	RESSORT À GAZ	BRIDE	RACCORD DE CHARGE
ITA	ORDINE	CILINDRO AD AZOTO	FLANGE	ADATTATORE DI CARICO
ESP	PEDIDO	RESORTE DE GAS	BRIDA	ADAPTADOR DE CARGA
POR	PEDIDO	CILINDRO DE GÁS	FLANGE	ADAPTADOR DE CARGA

# CD 2400

Heavy Duty

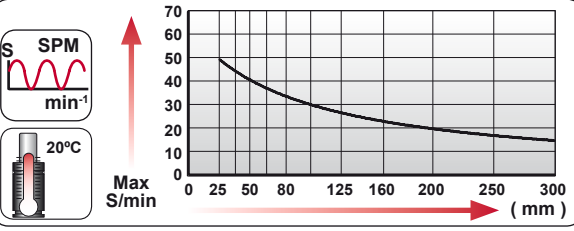
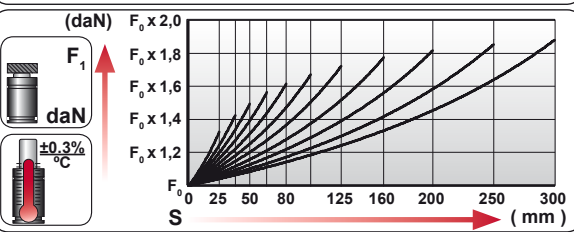
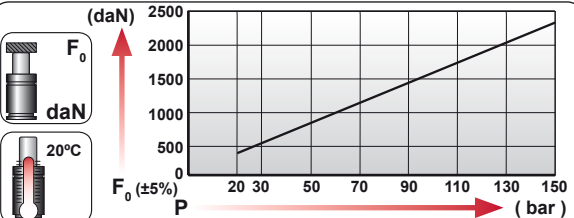
VW 39D 838	GM 90.25.05
------------	-------------



ORDER	S (mm)	L1 ±0.25 (mm)	L (mm)	Kg.
CD 2400 025	25	160	135	3.30
CD 2400 038	38	186	148	3.53
CD 2400 050	50	210	160	3.73
CD 2400 063	63.5	237	173.5	3.96
CD 2400 080	80	270	190	4.25
CD 2400 100	100	310	210	4.59
CD 2400 125	125	360	235	5.02
CD 2400 160 *	160	430	270	5.62
CD 2400 200 *	200	510	310	6.30
CD 2400 250 *	250	610	360	7.16
CD 2400 300 *	300	710	410	8.02



CODE	Pressure Gauge	bar	psi	F <sub>0</sub> daN	F <sub>1</sub> daN
CD 2400 050		150	2175	2385	3565
CD-H 2400 050		0	0	---	---



**EQUIPPED WITH VDI - SAFETY**

	ENG ORDER		F <sub>0</sub>		S
	DEU BESTELLUNG	daN	daN	mm	
	FRA COMMANDE				
	ITA ORDINE				
	ESP PEDIDO				
POR PEDIDO					
<b>CD 2400 050</b>		<b>2400</b>	<b>50</b>		

--	--	--	--	--	--	--	--

N <sub>2</sub>	Smax < 90%	Vmax 1,6 m/s	bar psi	bar psi	°C °F	°C °F	600 CP-
			20 290	150 2175	0 32	80 176	

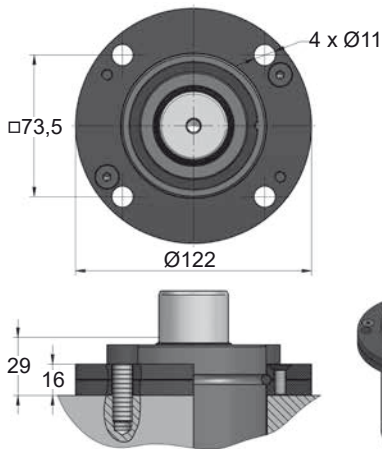


# CD 2400 MOUNTS

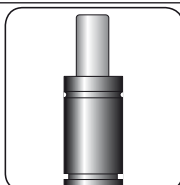
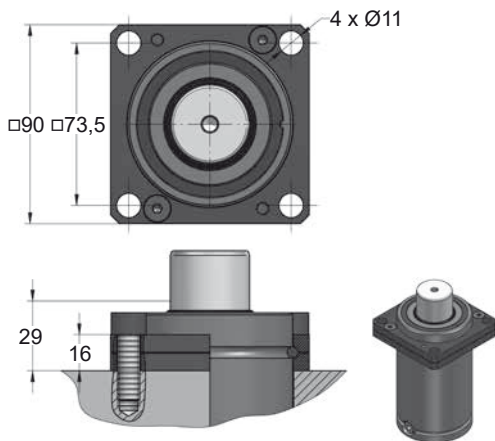
Heavy Duty

	50		50	50	50	50	50	50
	Ø75		Ø75	Ø75	Ø75	Ø75	Ø75	Ø75
	L1=145		L1=154	L1=185	L1=210	L1=175	L1=200	L1=240
	L1=159		L1=160	L1=195				
	L1=159		L1=160	L1=210				
MODEL	<b>X</b>	CW 2400 KZ 2400 KT 2400	<b>X</b>	CT 2500 CK 2500 FD 1500	GN 1500 CM 2500 CD 2400	AG 1500	CPH 4300 CP 5000	CS 4700
SERIES	MINI	COMPACT HEIGHT	THREADED	LOW PROFILE	HEAVY DUTY	ISO	HEAVY LOAD	POWER COMPACT STROKE

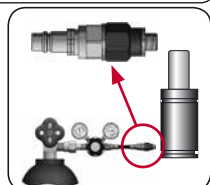
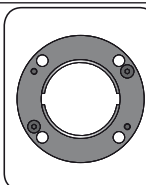
## A14-075



## A34-075



SEAL KIT S-XXXXXXX  
CARTRIDGE KIT C-XXXXXXX



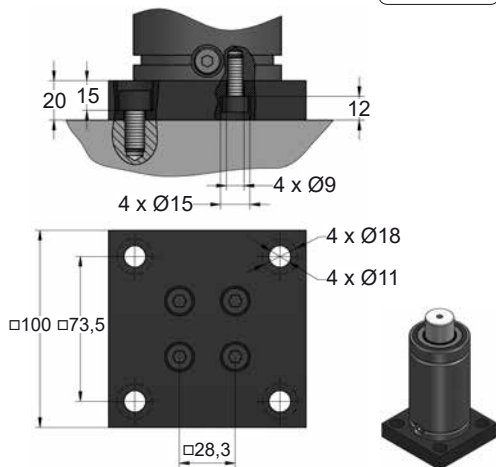
CODE	CD 2400 050	KIT S-XXXXXXX KIT C-XXXXXXX	A14-075	18 CG 1-Q
ENG ORDER	GAS SPRING	REPAIR KIT	FLANGE	CHARGING ADAPTER
DEU BESTELLUNG	GASDRUCKFEDER	ERSATZTEILSATZ	FLANSCHEN	LADEADAPTER
FRA COMMANDE	RESSORT À GAZ	KIT DE RÉPARATION	BRIDE	RACCORD DE CHARGE
ITA ORDINE	CILINDRO AD AZOTO	KIT DI MANUTENZIONE	FLANGE	ADATTATORE DI CARICO
ESP PEDIDO	RESORTE DE GAS	KIT DE REPARACION	BRIDA	ADAPTADOR DE CARGA
POR PEDIDO	CILINDRO DE GÁS	KIT DE MANUTENÇÃO	FLANGE	ADAPTADOR DE CARGA

# CD 2400 MOUNTS

Heavy Duty


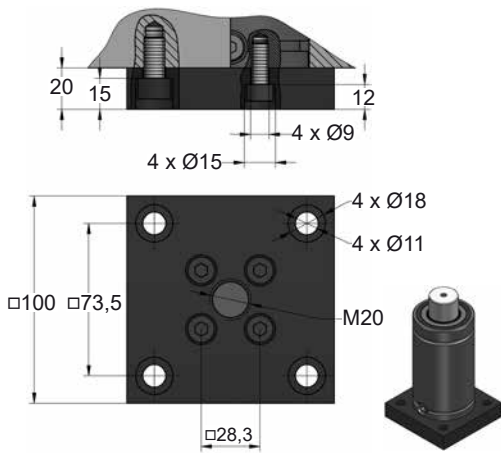
**AZOL**  
**GAS**

## B21-075

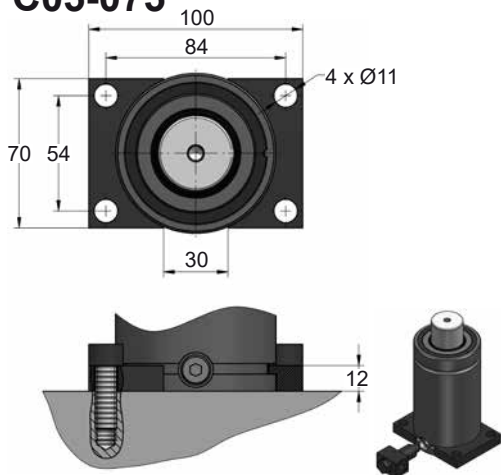
 EM24.54.700F


## B76-075




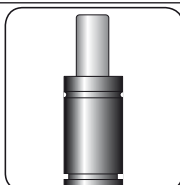
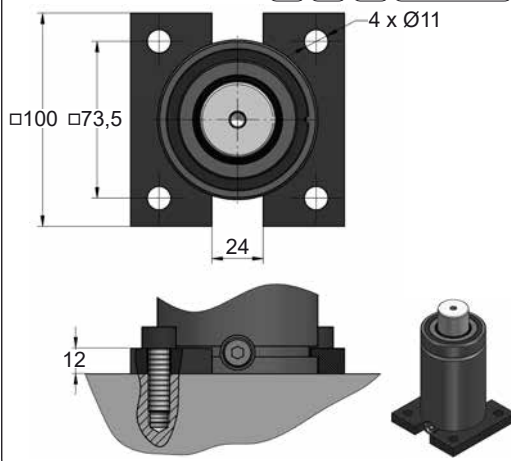
 E24.54.815.G  
EM24.54.700F


## C05-075



## C20-075



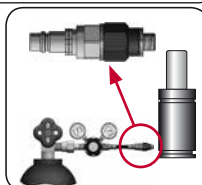
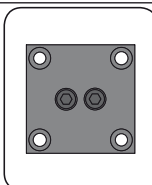

 E24.54.815.G  
EM24.54.700F


SEAL

KIT S-XXXXXXX

CARTRIDGE

KIT C-XXXXXXX



CODE	CD 2400 050	KIT S-XXXXXXX KIT C-XXXXXXX	B21-075	18 CG 1-Q
ENG	ORDER	GAS SPRING	FLANGE	CHARGING ADAPTER
DEU	BESTELLUNG	GASDRUCKFEDER	FLANSCH	LADEADAPTER
FRA	COMMANDE	RESSORT À GAZ	BRIDE	RACCORD DE CHARGE
ITA	ORDINE	CILINDRO AD AZOTO	FLANGE	ADATTATORE DI CARICO
ESP	PEDIDO	RESORTE DE GAS	BRIDA	ADAPTADOR DE CARGA
POR	PEDIDO	CILINDRO DE GÁS	FLANGE	ADAPTADOR DE CARGA



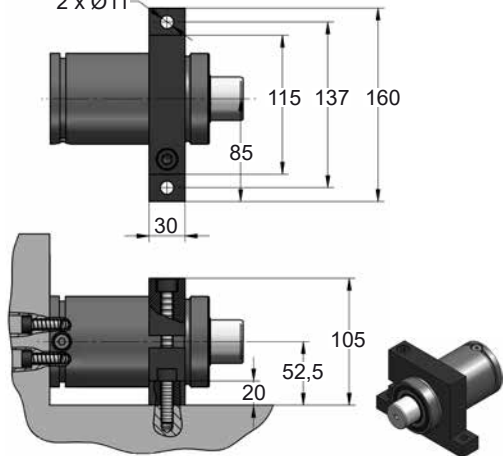


# CD 2400 MOUNTS

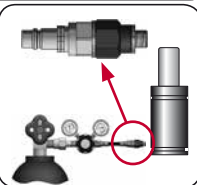
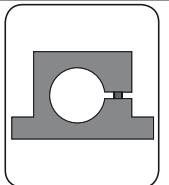
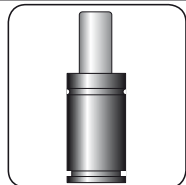
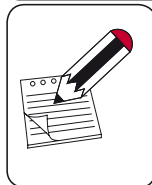
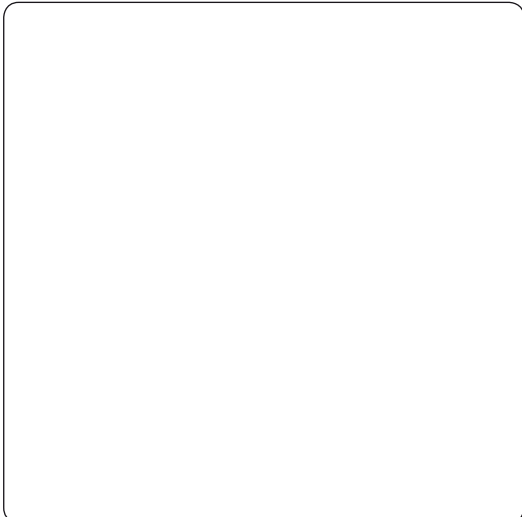
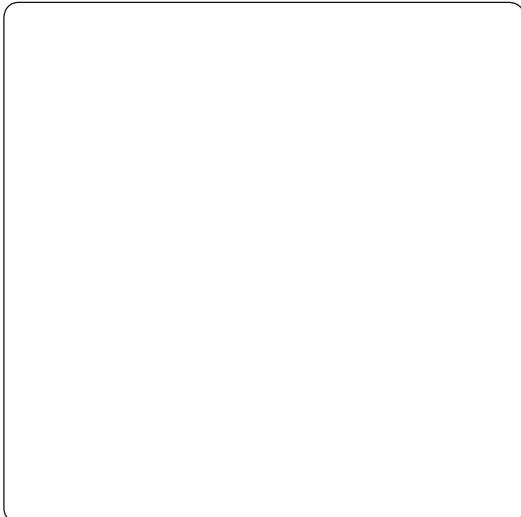
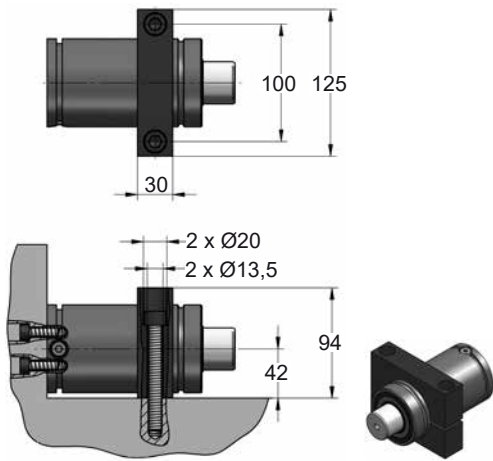
Heavy Duty

## D02-075

2 x Ø11



## D67-075

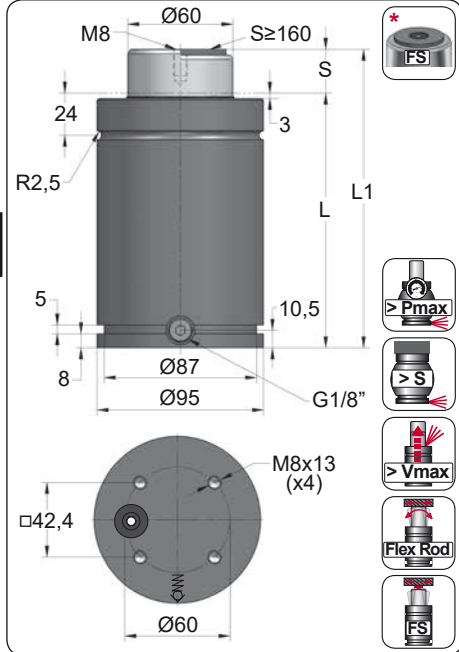


CODE	CD 2400 050	KIT S-XXXXXXX KIT C-XXXXXXX	D02-075	18 CG 1-Q
ENG ORDER	GAS SPRING	REPAIR KIT	FLANGE	CHARGING ADAPTER
DEU BESTELLUNG	GASDRUCKFEDER	ERSATZTEILSATZ	FLANSCHEN	LADEADAPTER
FRA COMMANDE	RESSORT À GAZ	KIT DE RÉPARATION	BRIDE	RACCORD DE CHARGE
ITA ORDINE	CILINDRO AD AZOTO	KIT DI MANUTENZIONE	FLANGE	ADATTATORE DI CARICO
ESP PEDIDO	RESORTE DE GAS	KIT DE REPARACION	BRIDA	ADAPTADOR DE CARGA
POR PEDIDO	CILINDRO DE GAS	KIT DE MANUTENÇÃO	FLANGE	ADAPTADOR DE CARGA

# CD 4200

Heavy Duty

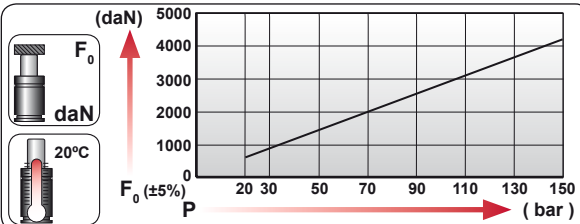
VW 39D 838	GM 90.25.05	
------------	-------------	--



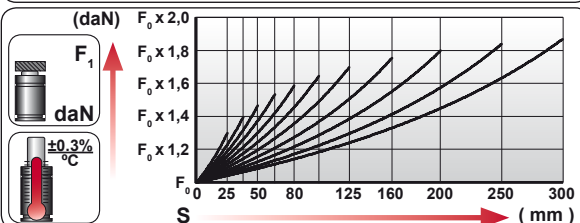
ORDER	S (mm)	L1 ±0.25 (mm)	L (mm)	Kg.
CD 4200 025	25	170	145	5.54
CD 4200 038	38	196	158	5.91
CD 4200 050	50	220	170	6.25
CD 4200 063	63.5	247	183.5	6.63
CD 4200 080	80	280	200	7.10
CD 4200 100	100	320	220	7.67
CD 4200 125	125	370	245	8.39
CD 4200 160 *	160	440	280	9.38
CD 4200 200 *	200	520	320	10.53
CD 4200 250 *	250	620	370	11.95
CD 4200 300 *	300	720	420	13.38



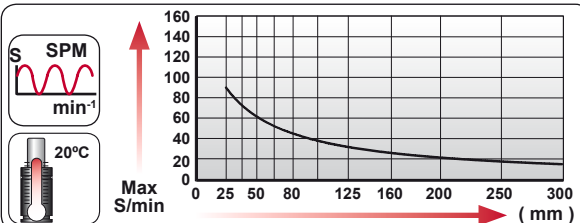
CODE	Pressure Gauge	bar	psi	F <sub>0</sub> daN	F <sub>1</sub> daN
CD 4200 050		150	2175	4240	6210
CD-H 4200 050		0	0	---	---



**EQUIPPED WITH VDI - SAFETY**



CD 4200 050	F <sub>0</sub> daN	S mm
<b>4200</b>	<b>4200</b>	<b>50</b>



--	--	--	--	--	--	--	--

N <sub>2</sub>	Smax < 90%	Vmax 1,6 m/s	bar psi	bar psi	°C °F	°C °F	600 CP-
			20 290	150 2175	0 32	80 176	

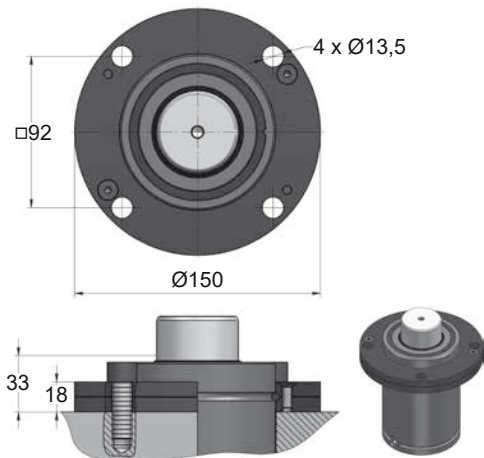


# CD 4200 MOUNTS

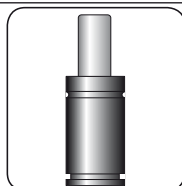
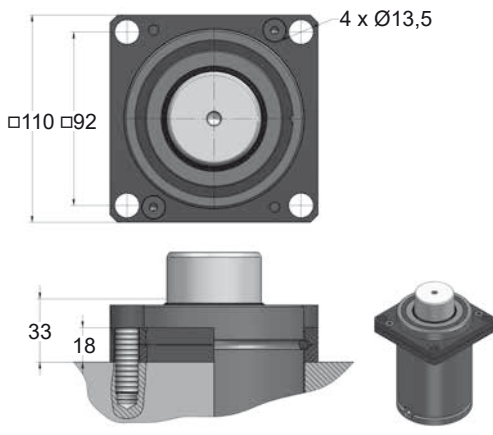
Heavy Duty

<b>MODEL</b>	<b>X</b>	CW 4200 KZ 4200 KT 4200	<b>X</b>	CK 4000 FD 3000	GN 3000 CM 4000 CD 4200	AG 3000	CP 8000	CS 7500			
<b>SERIES</b>	MINI	COMPACT HEIGHT	THREADED	LOW PROFILE	HEAVY DUTY	ISO	HEAVY LOAD	POWER COMPACT STROKE			

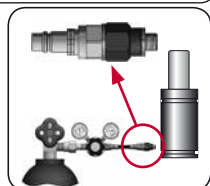
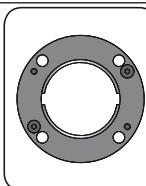
## A14-095



## A34-095



**SEAL KIT S-XXXXXXX**  
**CARTRIDGE KIT C-XXXXXXX**



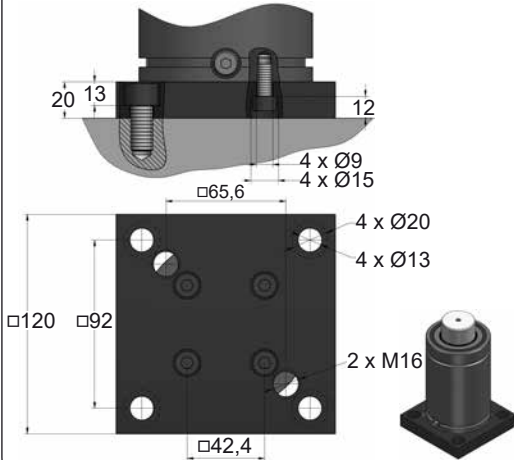
<b>CODE</b>	<b>CD 4200 050</b>	<b>KIT S-XXXXXXX</b> <b>KIT C-XXXXXXX</b>	<b>A14-095</b>	<b>18 CG 1-Q</b>
ENG ORDER	GAS SPRING	REPAIR KIT	FLANGE	CHARGING ADAPTER
DEU BESTELLUNG	GASDRUCKFEDER	ERSATZTEILSATZ	FLANSCH	LADEADAPTER
FRA COMMANDE	RESSORT À GAZ	KIT DE RÉPARATION	BRIDE	RACCORD DE CHARGE
ITA ORDINE	CILINDRO AD AZOTO	KIT DI MANUTENZIONE	FLANGE	ADATTATORE DI CARICO
ESP PEDIDO	RESORTE DE GAS	KIT DE REPARACION	BRIDA	ADAPTADOR DE CARGA
POR PEDIDO	CILINDRO DE GÁS	KIT DE MANUTENÇÃO	FLANGE	ADAPTADOR DE CARGA

# CD 4200 MOUNTS

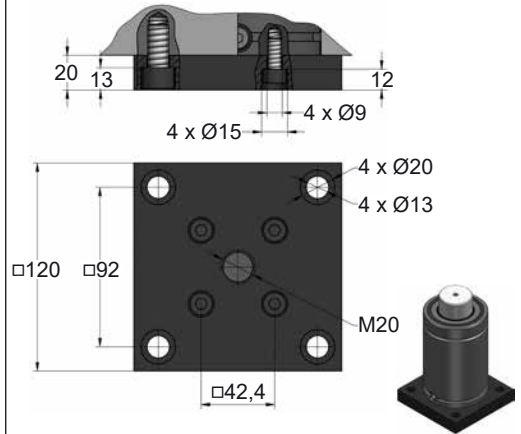
Heavy Duty

**AZOL**  
**GAS**

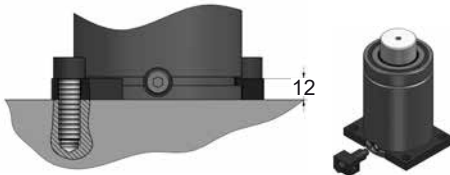
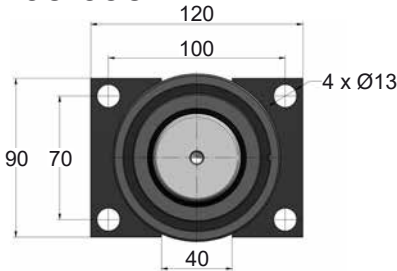
## B21-095

 EM24.54.700/F


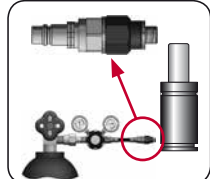
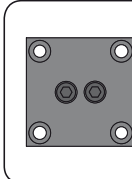
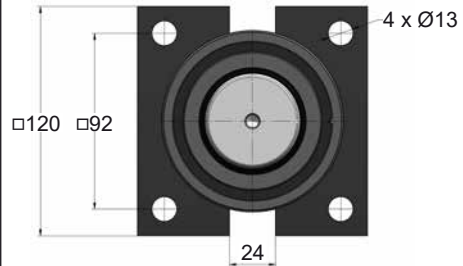
## B76-095

   EM24.54.700/F


## C05-095



## C20-095

    E24.54.815.G  
EM24.54.700/F


CODE	CD 4200 050	KIT S-XXXXXXX KIT C-XXXXXXX	B21-095	18 CG 1-Q
ENG	ORDER	GAS SPRING	FLANGE	CHARGING ADAPTER
DEU	BESTELLUNG	GASDRUCKFEDER	FLANSCH	LADEADAPTER
FRA	COMMANDE	RESSORT À GAZ	BRIDE	RACCORD DE CHARGE
ITA	ORDINE	CILINDRO AD AZOTO	FLANGE	ADATTATORE DI CARICO
ESP	PEDIDO	RESORTE DE GAS	BRIDA	ADAPTADOR DE CARGA
POR	PEDIDO	CILINDRO DE GÁS	FLANGE	ADAPTADOR DE CARGA



# CD 4200 MOUNTS

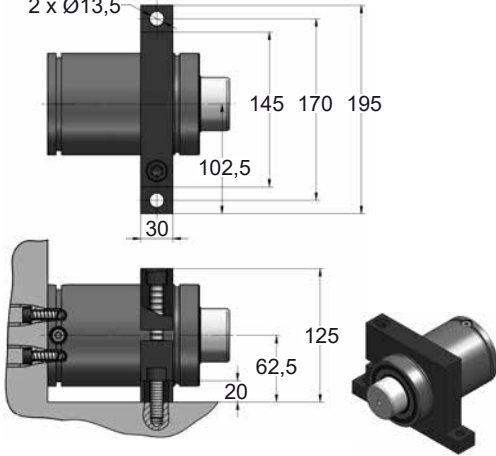
Heavy Duty

## D02-095

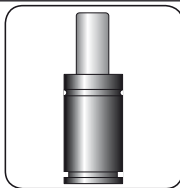
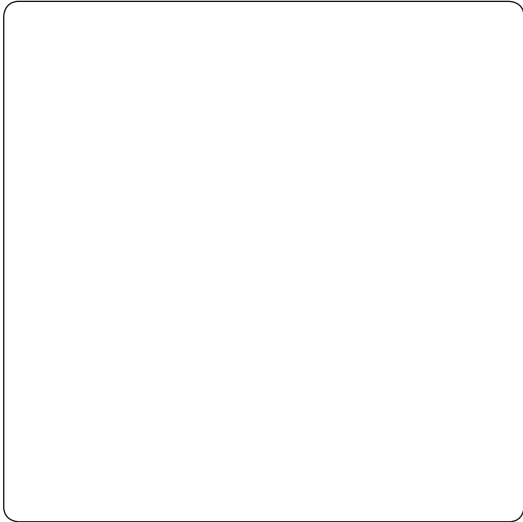
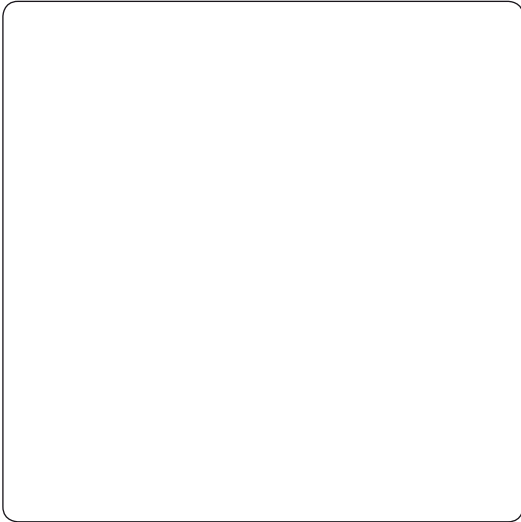
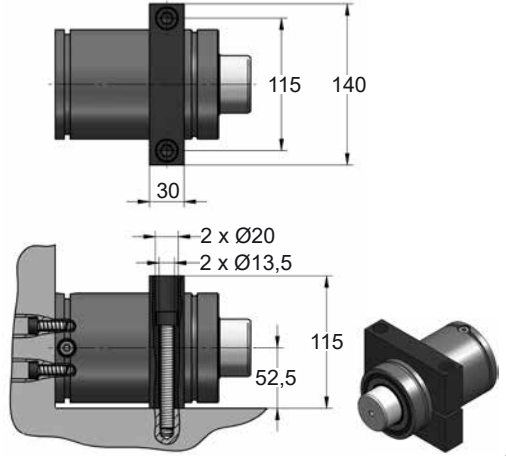
2 x Ø13,5



E24.54.815.G  
EM24.54.700.F



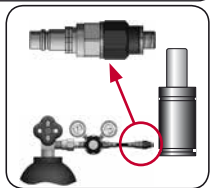
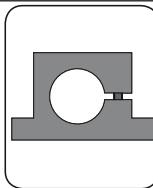
## D67-095



SEAL  
KIT S-XXXXXXX



CARTRIDGE  
KIT C-XXXXXXX

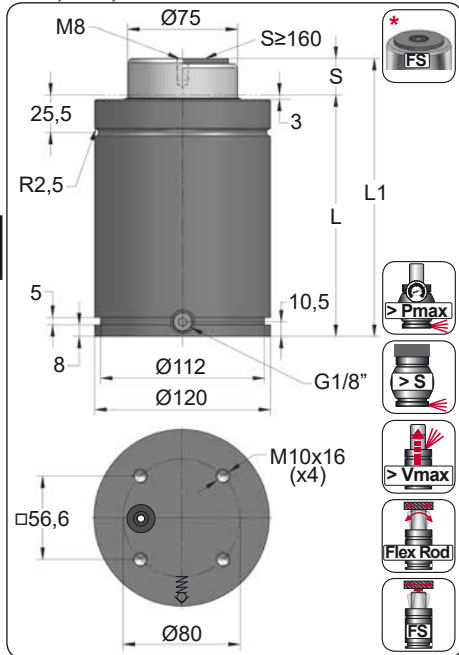


CODE	CD 4200 050	KIT S-XXXXXXX KIT C-XXXXXXX	D02-095	18 CG 1-Q	
ENG	ORDER	GAS SPRING	REPAIR KIT	FLANGE	CHARGING ADAPTER
DEU	BESTELLUNG	GASDRUCKFEDER	ERSATZTEILSATZ	FLANSCHEN	LADEADAPTER
FRA	COMMANDE	RESSORT À GAZ	KIT DE RÉPARATION	BRIDE	RACCORD DE CHARGE
ITA	ORDINE	CILINDRO AD AZOTO	KIT DI MANUTENZIONE	FLANGE	ADATTATORE DI CARICO
ESP	PEDIDO	RESORTE DE GAS	KIT DE REPARACION	BRIDA	ADAPTADOR DE CARGA
POR	PEDIDO	CILINDRO DE GÁS	KIT DE MANUTENÇÃO	FLANGE	ADAPTADOR DE CARGA

# CD 6600

Heavy Duty

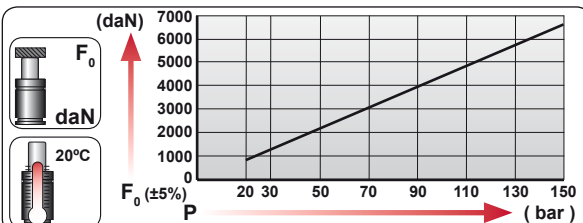
VW 39D 838	GM 90.25.05
------------	-------------



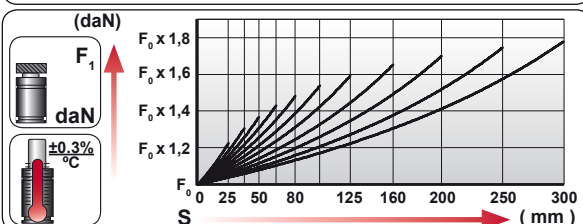
ORDER	S (mm)	L1 ±0.25 (mm)	L (mm)	Kg.
CD 6600 025	25	190	165	10.29
CD 6600 038	38	216	178	10.89
CD 6600 050	50	240	190	11.44
CD 6600 063	63.5	267	203.5	12.07
CD 6600 080	80	300	220	12.84
CD 6600 100	100	340	240	13.76
CD 6600 125	125	390	265	14.92
CD 6600 160 *	160	460	300	16.55
CD 6600 200 *	200	540	340	18.40
CD 6600 250 *	250	640	390	20.72
CD 6600 300 *	300	740	440	23.04



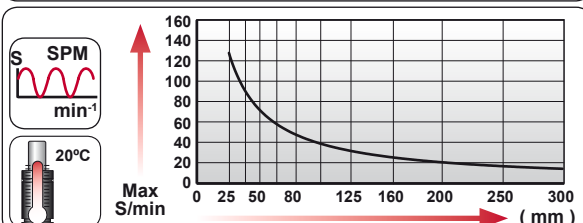
CODE	Pressure Gauge	bar	psi	F <sub>0</sub> daN	F <sub>1</sub> daN
CD 6600 050		150	2175	6630	9060
CD-H 6600 050		0	0	---	---



**EQUIPPED WITH VDI - SAFETY**



CD 6600 050	6600	50
daN	daN	mm



N <sub>2</sub>	S <sub>max</sub> < 90%	V <sub>max</sub> 1,6 m/s	P <sub>min</sub> (20°C)	P <sub>max</sub> (20°C)	T <sub>min</sub>	T <sub>max</sub>	600 CP-

bar	psi	bar	psi	°C	°F	°C	°F
20	290	150	2175	0	32	80	176

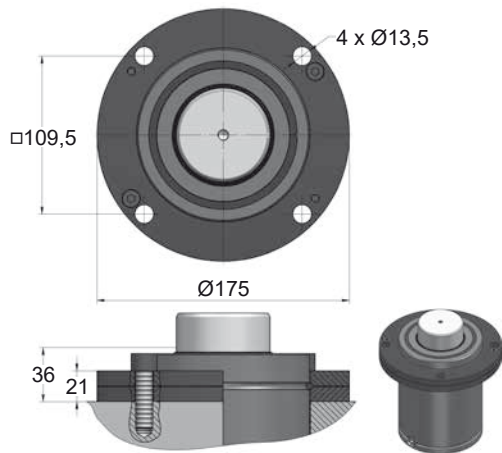


# CD 6600 MOUNTS

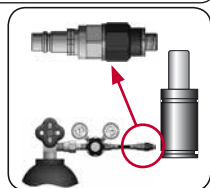
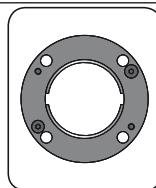
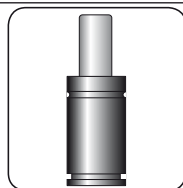
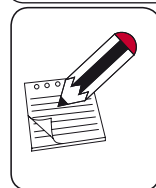
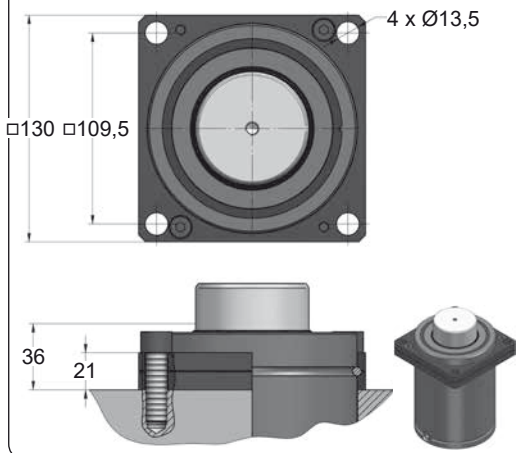
Heavy Duty

	L1=168 L1=172 L1=172	L1=190	L1=202 L1=215 L1=240	L1=240	L1=260			
MODEL	<b>X</b> CW 6600 KZ 6600 KZ 6600	<b>X</b>	FD 5000	GN 5000 CM 6500 CD 6600	AG 5000	<b>X</b>	CS 11800	
SERIES	MINI 	COMPACT HEIGHT 	THREADED 	LOW PROFILE 	HEAVY DUTY 	ISO 	HEAVY LOAD 	POWER COMPACT STROKE 

## A14-120



## A34-120




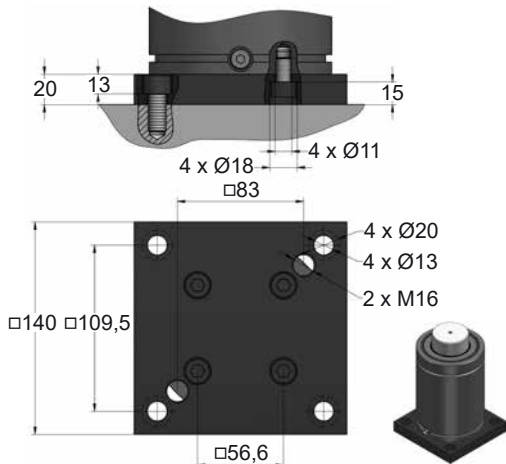
CODE	CD 6600 050	KIT S-XXXXXXX KIT C-XXXXXXX	A14-120	18 CG 1-Q
ENG ORDER	GAS SPRING	REPAIR KIT	FLANGE	CHARGING ADAPTER
DEU BESTELLUNG	GASDRUCKFEDER	ERSATZTEILSATZ	FLANSCHEN	LADEADAPTER
FRA COMMANDE	RESSORT À GAZ	KIT DE RÉPARATION	BRIDE	RACCORD DE CHARGE
ITA ORDINE	CILINDRO AD AZOTO	KIT DI MANUTENZIONE	FLANGE	ADATTATORE DI CARICO
ESP PEDIDO	RESORTE DE GAS	KIT DE REPARACION	BRIDA	ADAPTADOR DE CARGA
POR PEDIDO	CILINDRO DE GÁS	KIT DE MANUTENÇÃO	FLANGE	ADAPTADOR DE CARGA

# CD 6600 MOUNTS

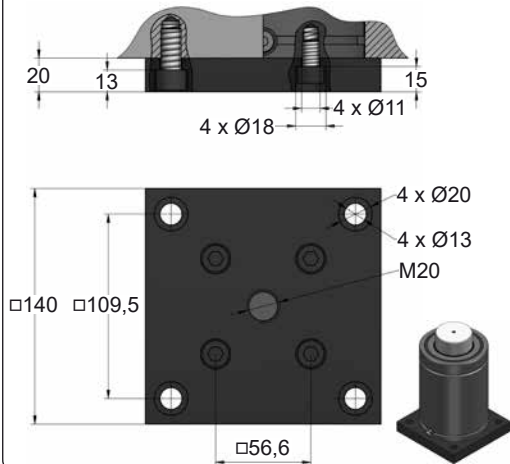
Heavy Duty

**AZOL**  
**GAS**

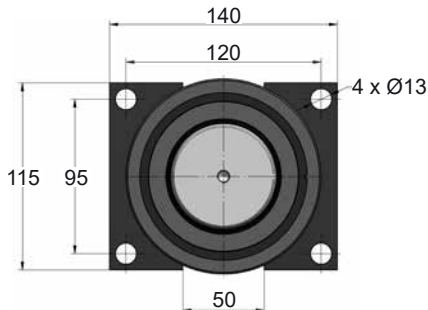
## B21-120

 EM24.54.700F


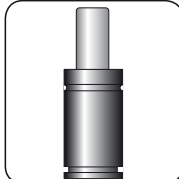
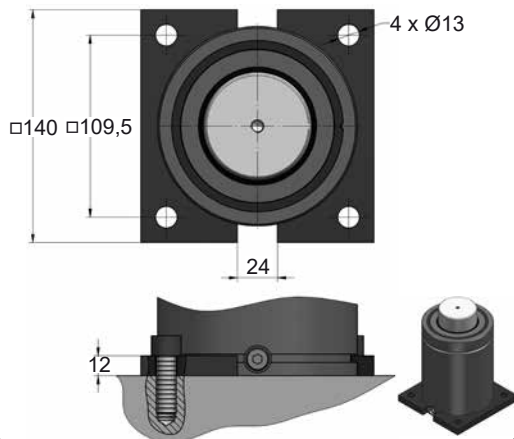
## B76-120

   EM24.54.700F


## C05-120

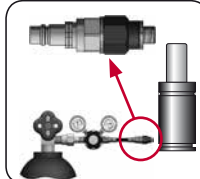
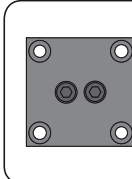


## C20-120

    E24.54.815.G  
EM24.54.700F


**SEAL**  
**KIT S-XXXXXXX**

**CARTRIDGE**  
**KIT C-XXXXXXX**



CODE	CD 6600 050	KIT S-XXXXXXX KIT C-XXXXXXX	B21-120	18 CG 1-Q
ENG	ORDER	GAS SPRING	FLANGE	CHARGING ADAPTER
DEU	BESTELLUNG	GASDRUCKFEDER	FLANSCH	LADEADAPTER
FRA	COMMANDE	RESSORT À GAZ	BRIDE	RACCORD DE CHARGE
ITA	ORDINE	CILINDRO AD AZOTO	FLANGE	ADATTATORE DI CARICO
ESP	PEDIDO	RESORTE DE GAS	BRIDA	ADAPTADOR DE CARGA
POR	PEDIDO	CILINDRO DE GÁS	FLANGE	ADAPTADOR DE CARGA

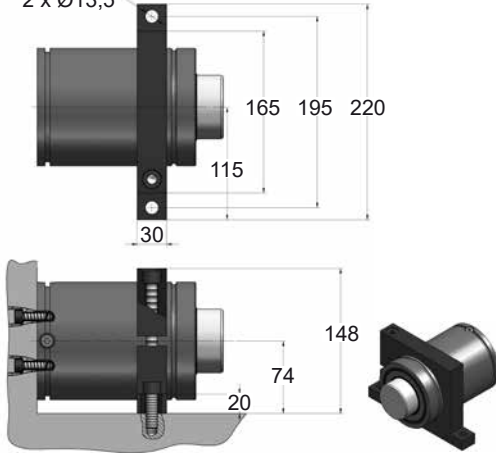


# CD 6600 MOUNTS

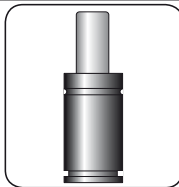
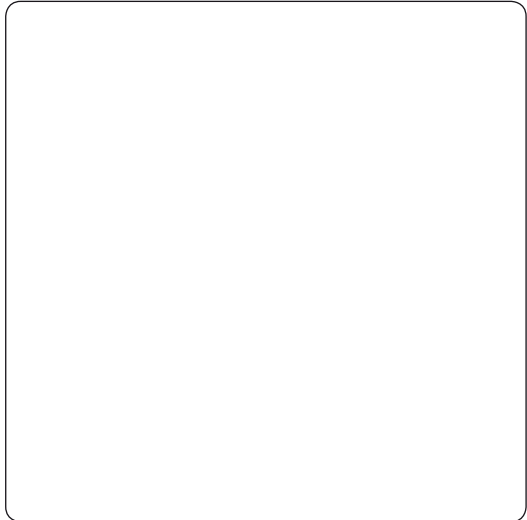
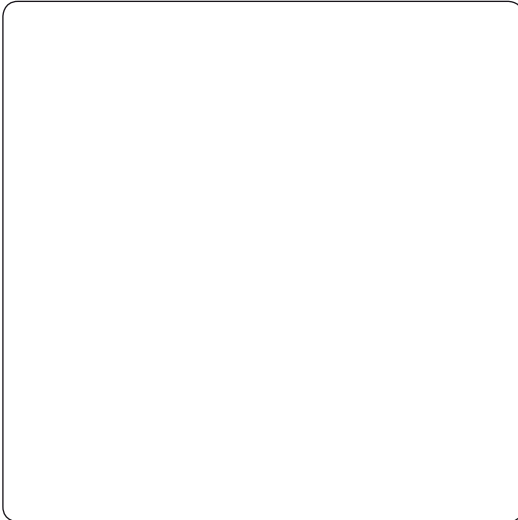
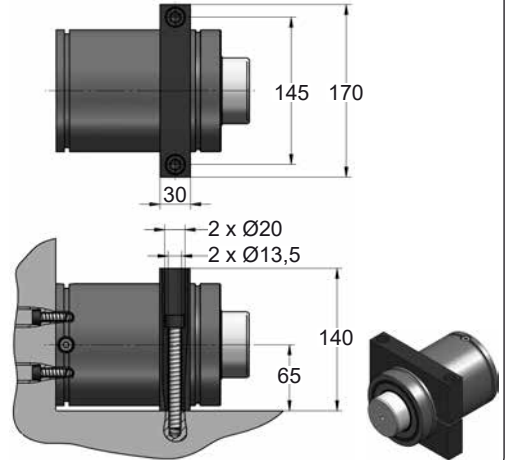
Heavy Duty

## D02-120

2 x Ø13,5



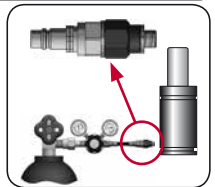
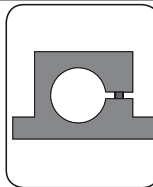
## D67-120



**SEAL**  
**KIT S-XXXXXXX**



**CARTRIDGE**  
**KIT C-XXXXXXX**

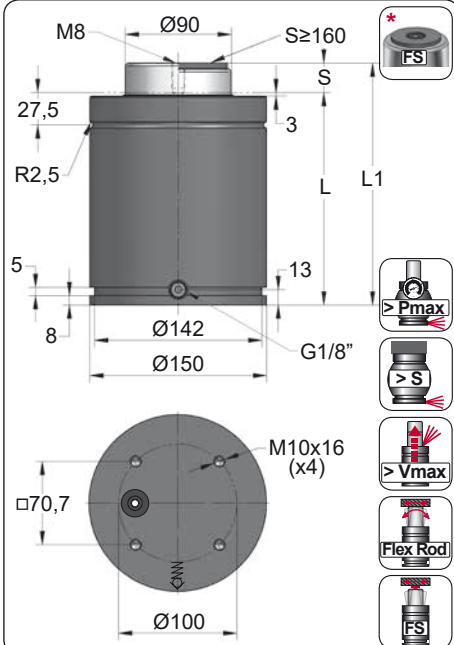


CODE	CD 6600 050	KIT S-XXXXXXX KIT C-XXXXXXX	D02-120	18 CG 1-Q
ENG	ORDER	GAS SPRING	FLANGE	CHARGING ADAPTER
DEU	BESTELLUNG	GASDRUCKFEDER	FLANSCHEN	LADEADAPTER
FRA	COMMANDE	RESSORT À GAZ	BRIDE	RACCORD DE CHARGE
ITA	ORDINE	CILINDRO AD AZOTO	FLANGE	ADATTATORE DI CARICO
ESP	PEDIDO	RESORTE DE GAS	BRIDA	ADAPTADOR DE CARGA
POR	PEDIDO	CILINDRO DE GÁS	FLANGE	ADAPTADOR DE CARGA

# CD 9600

Heavy Duty

VW 39D 838	GM 90.25.05
------------	-------------

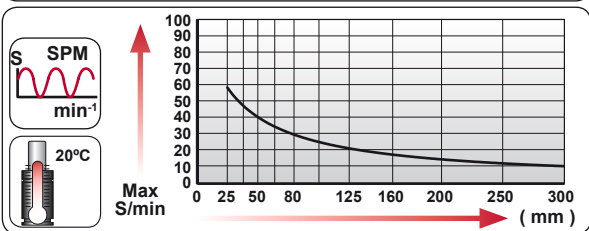
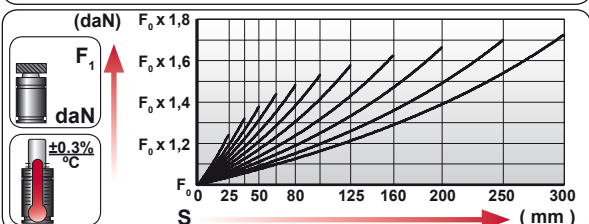
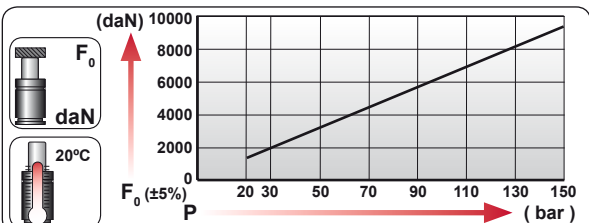


- FS
- Pmax
- S
- Vmax
- Flex Rod
- FS

ORDER	S (mm)	L1 ±0.25 (mm)	L (mm)	Kg.
CD 9600 025	25	205	180	17.79
CD 9600 038	38	231	193	18.65
CD 9600 050	50	255	205	19.44
CD 9600 063	63.5	282	218.5	20.34
CD 9600 080	80	315	235	21.43
CD 9600 100	100	355	255	22.76
CD 9600 125	125	405	280	24.41
CD 9600 160 *	160	475	315	26.73
CD 9600 200 *	200	555	355	29.38
CD 9600 250 *	250	655	405	32.70
CD 9600 300 *	300	755	455	36.01



CODE				
	bar	psi	daN	daN
CD 9600 050	150	2175	9540	13150
CD-H 9600 050	0	0	---	---



**EQUIPPED WITH VDI - SAFETY**

	ENG ORDER	DEU BESTELLUNG	FRA COMMANDE	ITA ORDINE	ESP PEDIDO	POR PEDIDO
CD 9600 050						

**9600**     **50**

**Smax < 90%**

**Vmax 1,6 m/s**

**Pmin (20°C)**

**Pmax (20°C)**

**Tmin**

**Tmax**

N <sub>2</sub>	Smax < 90%	Vmax 1,6 m/s	bar psi	bar psi	°C °F	°C °F	600 CP-
			20 290	150 2175	0 32	80 176	

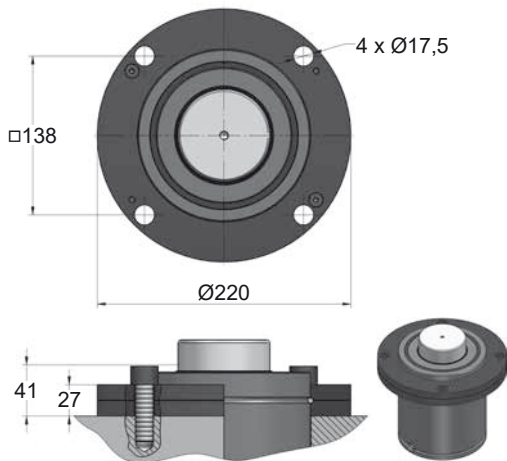
# CD 9600 MOUNTS

Heavy Duty

	<b>L1=178</b>			<b>L1=205</b>	<b>L1=255</b>		<b>L1=270</b>	
	<b>L1=178</b>			<b>L1=236</b>				
	<b>L1=178</b>			<b>L1=255</b>				
<b>MODEL</b>	<b>×</b>	CW 9500 CW 11800 KT 9500	<b>×</b>	<b>×</b>	GN 7500 CM 10000 CD 9600	AG 7500	<b>×</b>	CS 18300
<b>SERIES</b>	MINI 	COMPACT HEIGHT 	THREADED 	LOW PROFILE 	HEAVY DUTY 	ISO 	HEAVY LOAD 	POWER COMPACT STROKE 

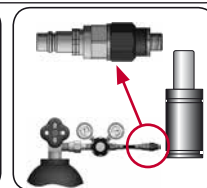
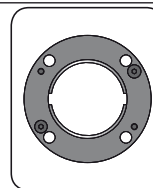
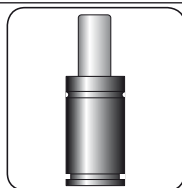
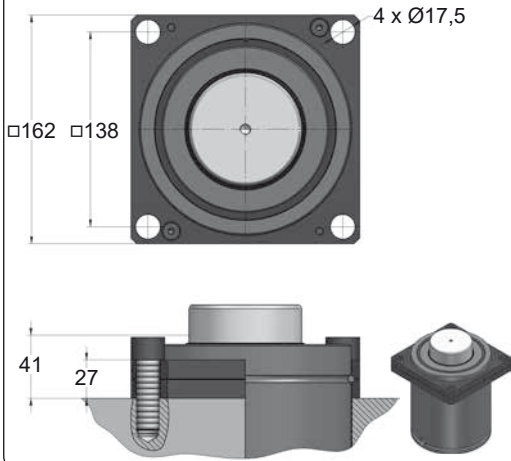
## A14-150

ISO 9001  
VARIANTE  
E24.54.815.G  
EM24.54.700/F



## A34-150

ISO 9001  
VDI



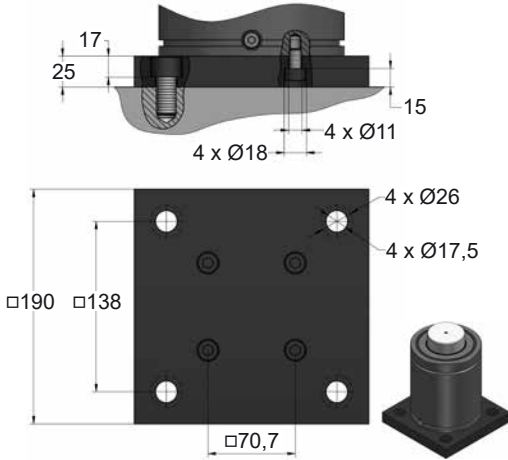
<b>CODE</b>	<b>CD 9600 050</b>	<b>KIT S-XXXXXXX</b> <b>KIT C-XXXXXXX</b>	<b>A14-150</b>	<b>18 CG 1-Q</b>
ENG ORDER	GAS SPRING	REPAIR KIT	FLANGE	CHARGING ADAPTER
DEU BESTELLUNG	GASDRUCKFEDER	ERSATZTEILSATZ	FLANSCHEN	LADEADAPTER
FRA COMMANDE	RESSORT À GAZ	KIT DE RÉPARATION	BRIDE	RACCORD DE CHARGE
ITA ORDINE	CILINDRO AD AZOTO	KIT DI MANUTENZIONE	FLANGE	ADATTATORE DI CARICO
ESP PEDIDO	RESORTE DE GAS	KIT DE REPARACION	BRIDA	ADAPTADOR DE CARGA
POR PEDIDO	CILINDRO DE GÁS	KIT DE MANUTENÇÃO	FLANGE	ADAPTADOR DE CARGA

# CD 9600 MOUNTS

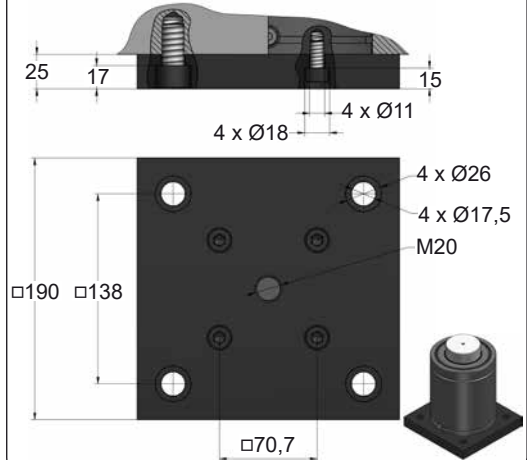
Heavy Duty

**AZOL  
GAS**

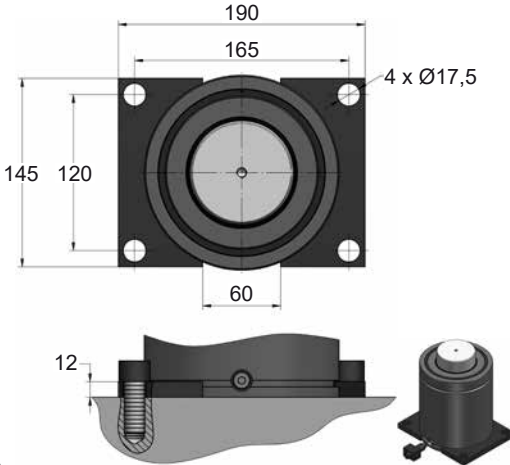
## B21-150



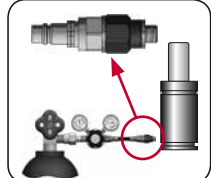
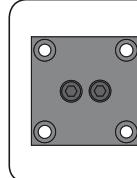
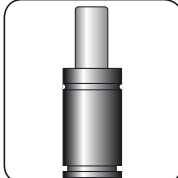
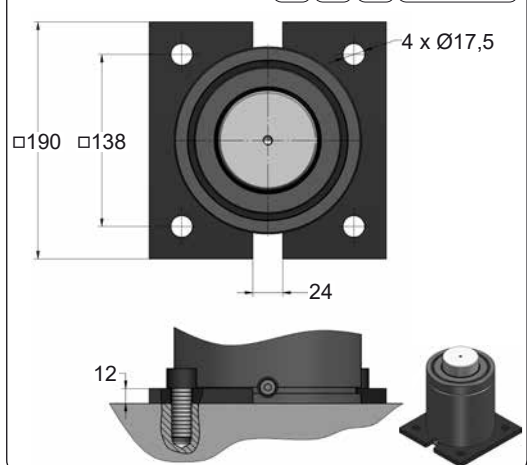
## B76-150



## C05-150



## C20-150



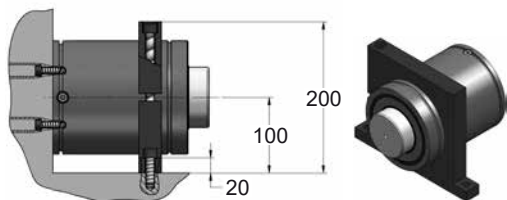
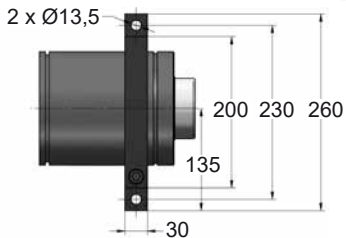
CODE	CD 9600 050	KIT S-XXXXXXX KIT C-XXXXXXX	B21-150	18 CG 1-Q
ENG	ORDER	GAS SPRING	FLANGE	CHARGING ADAPTER
DEU	BESTELLUNG	GASDRUCKFEDER	FLANSCH	LADEADAPTER
FRA	COMMANDE	RESSORT À GAZ	BRIDE	RACCORD DE CHARGE
ITA	ORDINE	CILINDRO AD AZOTO	FLANGE	ADATTATORE DI CARICO
ESP	PEDIDO	RESORTE DE GAS	BRIDA	ADAPTADOR DE CARGA
POR	PEDIDO	CILINDRO DE GÁS	FLANGE	ADAPTADOR DE CARGA



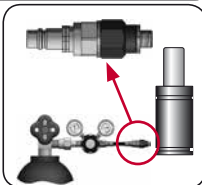
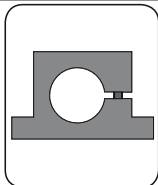
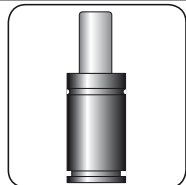
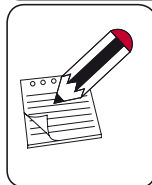
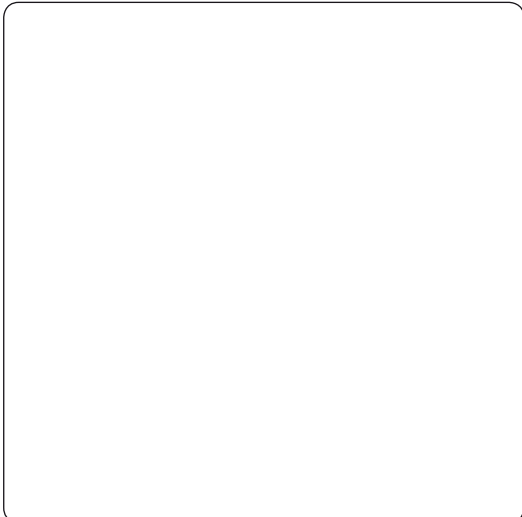
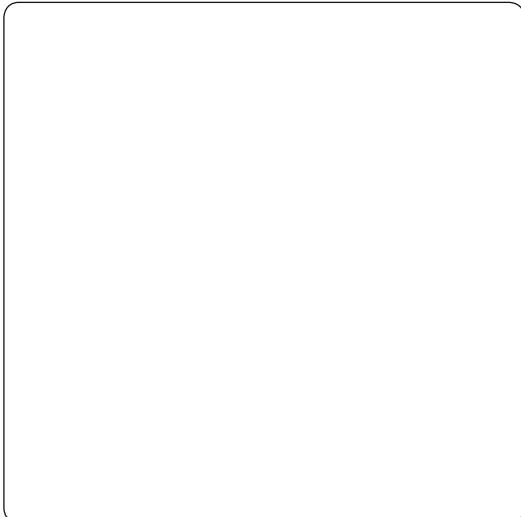
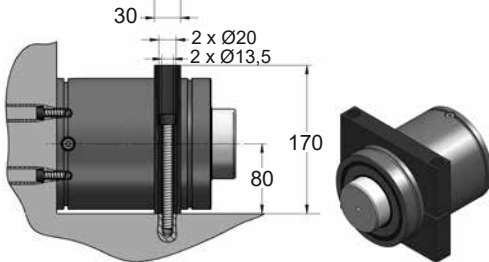
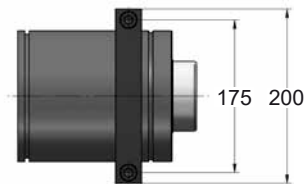
# CD 9600 MOUNTS

Heavy Duty

## D02-150



## D67-150

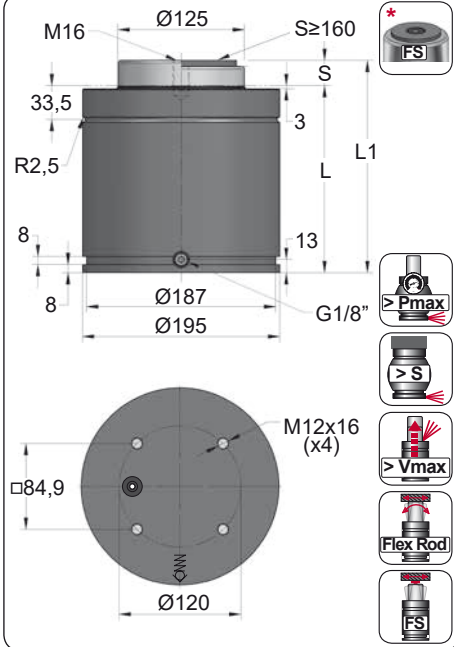


CODE	CD 9600 050	KIT S-XXXXXXX KIT C-XXXXXXX	D02-150	18 CG 1-Q
ENG	ORDER	GAS SPRING	FLANGE	CHARGING ADAPTER
DEU	BESTELLUNG	GASDRUCKFEDER	FLANSCHEN	LADEADAPTER
FRA	COMMANDE	RESSORT À GAZ	BRIDE	RACCORD DE CHARGE
ITA	ORDINE	CILINDRO AD AZOTO	FLANGE	ADATTATORE DI CARICO
ESP	PEDIDO	RESORTE DE GAS	BRIDA	ADAPTADOR DE CARGA
POR	PEDIDO	CILINDRO DE GÁS	FLANGE	ADAPTADOR DE CARGA

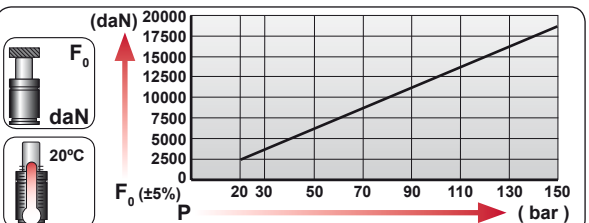
# CD 18500

Heavy Duty

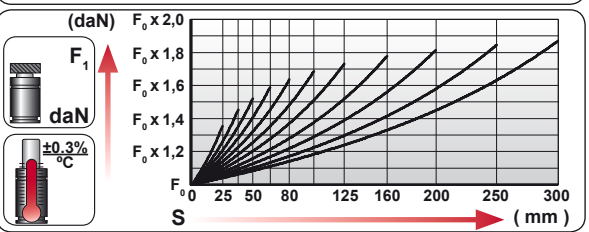
	GM	90.25.05



ORDER	S (mm)	L1 ±0.25 (mm)	L (mm)	Kg.
CD 18500 025	25	210	185	34.22
CD 18500 038	38	236	198	36.02
CD 18500 050	50	260	210	37.68
CD 18500 063	63.5	287	223.5	39.54
CD 18500 080	80	320	240	41.83
CD 18500 100	100	360	260	44.59
CD 18500 125	125	410	285	48.05
CD 18500 160 *	160	480	320	52.89
CD 18500 200 *	200	560	360	58.42
CD 18500 250 *	250	660	410	65.33
CD 18500 300 *	300	760	460	72.24

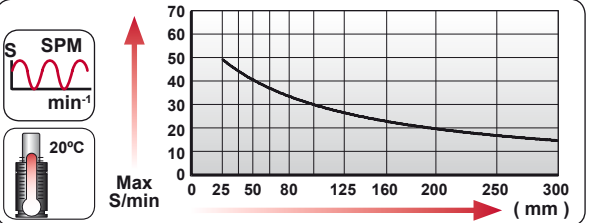


CODE	Pressure (bar)	Pressure (psi)	Force (daN) F <sub>0</sub>	Force (daN) F <sub>1</sub>
CD 18500 050	150	2175	18410	28015
CD-H 18500 050	0	0	---	---



**EQUIPPED WITH VDI - SAFETY**

Language	ORDER	Force (daN) F <sub>0</sub>	Stroke (mm) S
ENG	BESTELLUNG	18500	50
DEU	BESTELLUNG		
FRA	COMMANDE		
ITA	ORDINE		
ESP	PEDIDO		
POR	PEDIDO		



--	--	--	--	--	--	--	--

N <sub>2</sub>	Smax < 90%	Vmax 1,6 m/s	bar psi	bar psi	°C °F	°C °F	600 CP-
			20 290	150 2175	0 32	80 176	

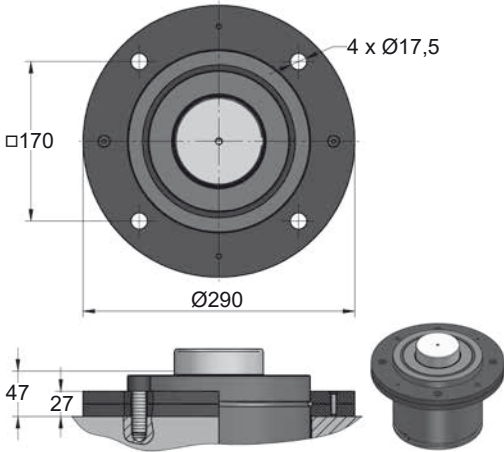


# CD 18500 MOUNTS

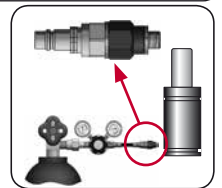
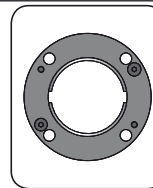
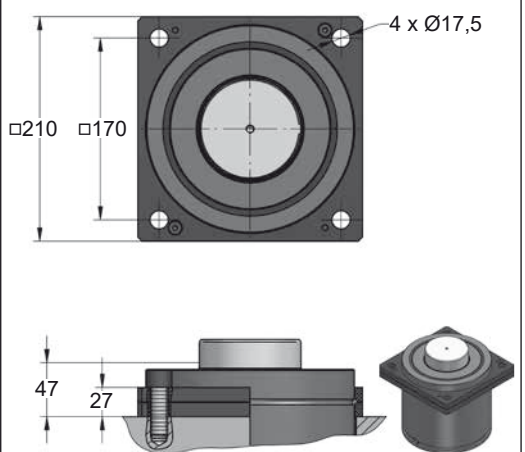
Heavy Duty

<b>MODEL</b>	×	CW 20000	×	×	CD 18500	AG 10000	×	×
<b>SERIES</b>	MINI 	COMPACT HEIGHT 	THREADED 	LOW PROFILE 	HEAVY DUTY 	ISO 	HEAVY LOAD 	POWER COMPACT STROKE 

## A14-195



## A34-195



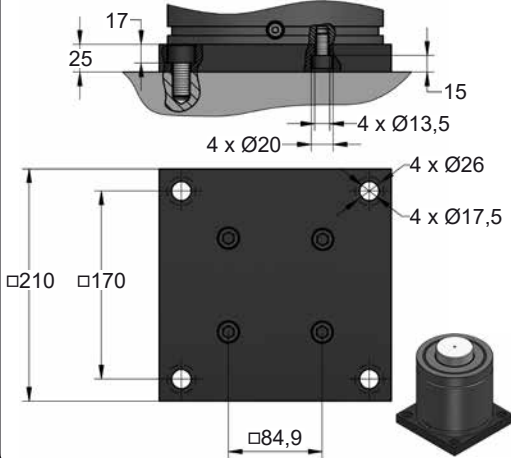
<b>CODE</b>	<b>CD 18500 050</b>	<b>KIT S-XXXXXXX KIT C-XXXXXXX</b>	<b>A14-195</b>	<b>18 CG 1-Q</b>
ENG ORDER	GAS SPRING	REPAIR KIT	FLANGE	CHARGING ADAPTER
DEU BESTELLUNG	GASDRUCKFEDER	ERSATZTEILSATZ	FLANSCHEN	LADEADAPTER
FRA COMMANDE	RESSORT À GAZ	KIT DE RÉPARATION	BRIDE	RACCORD DE CHARGE
ITA ORDINE	CILINDRO AD AZOTO	KIT DI MANUTENZIONE	FLANGE	ADATTATORE DI CARICO
ESP PEDIDO	RESORTE DE GAS	KIT DE REPARACION	BRIDA	ADAPTADOR DE CARGA
POR PEDIDO	CILINDRO DE GAS	KIT DE MANUTENÇÃO	FLANGE	ADAPTADOR DE CARGA

# CD 18500 MOUNTS

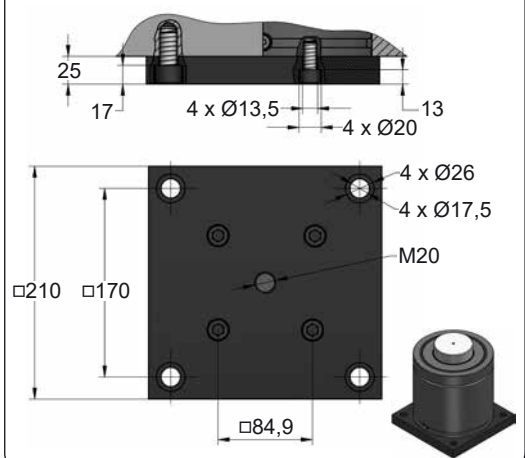
Heavy Duty

**AZOL**  
**GAS**

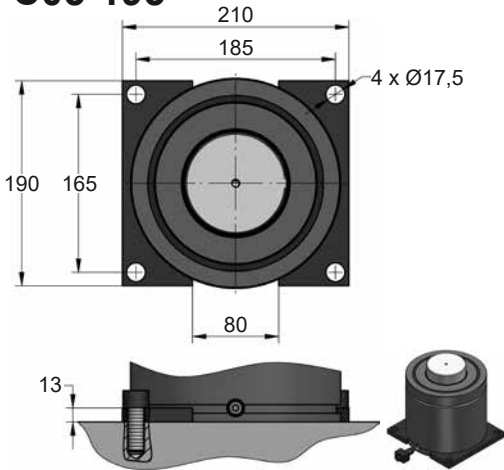
## B21-195



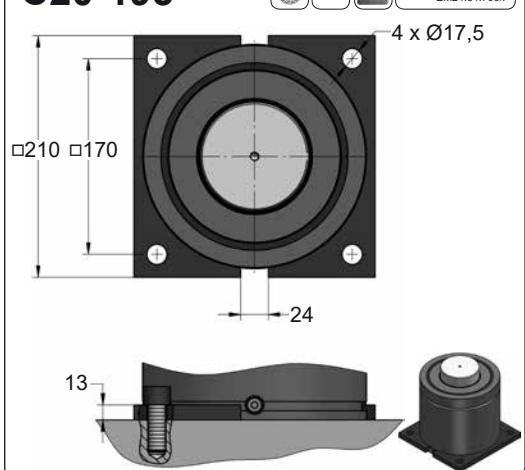
## B76-195



## C05-195

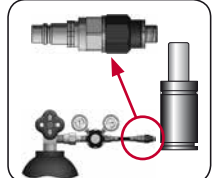
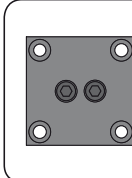


## C20-195



**SEAL**  
**KIT S-XXXXXXX**

**CARTRIDGE**  
**KIT C-XXXXXXX**



CODE	CD 18500 050	KIT S-XXXXXXX KIT C-XXXXXXX	B21-195	18 CG 1-Q
ENG	ORDER	GAS SPRING	FLANGE	CHARGING ADAPTER
DEU	BESTELLUNG	GASDRUCKFEDER	FLANSCH	LADEADAPTER
FRA	COMMANDE	RESSORT À GAZ	BRIDE	RACCORD DE CHARGE
ITA	ORDINE	CILINDRO AD AZOTO	FLANGE	ADATTATORE DI CARICO
ESP	PEDIDO	RESORTE DE GAS	BRIDA	ADAPTADOR DE CARGA
POR	PEDIDO	CILINDRO DE GÁS	FLANGE	ADAPTADOR DE CARGA

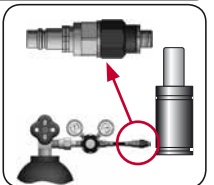
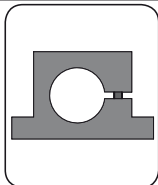
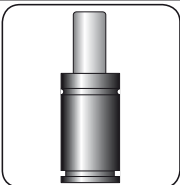
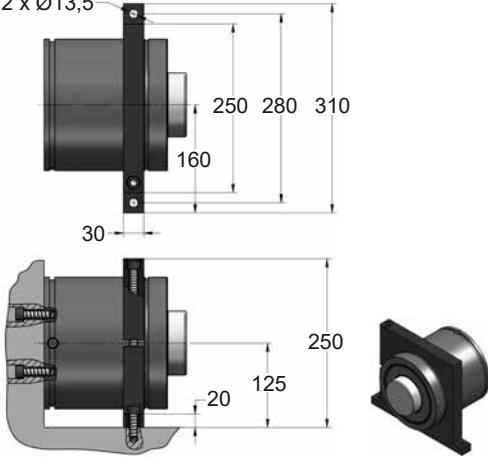


# CD 18500 MOUNTS

Heavy Duty

## D02-195

2 x Ø13,5



CODE	CD 18500 050	KIT S-XXXXXXX KIT C-XXXXXXX	D02-195	18 CG 1-Q
ENG ORDER	GAS SPRING	REPAIR KIT	FLANGE	CHARGING ADAPTER
DEU BESTELLUNG	GASDRUCKFEDER	ERSATZTEILSATZ	FLANSCHEN	LADEADAPTER
FRA COMMANDE	RESSORT À GAZ	KIT DE RÉPARATION	BRIDE	RACCORD DE CHARGE
ITA ORDINE	CILINDRO AD AZOTO	KIT DI MANUTENZIONE	FLANGE	ADATTATORE DI CARICO
ESP PEDIDO	RESORTE DE GAS	KIT DE REPARACION	BRIDA	ADAPTADOR DE CARGA
POR PEDIDO	CILINDRO DE GÁS	KIT DE MANUTENÇÃO	FLANGE	ADAPTADOR DE CARGA





# CM HEAVY DUTY MEDIUM

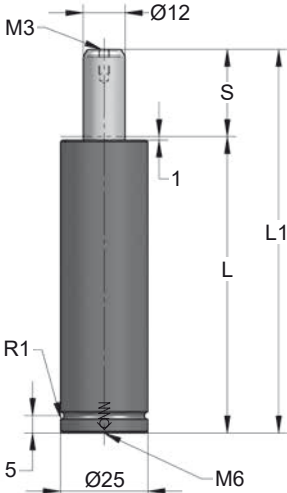
MODEL	F <sub>0</sub>	Ø	S	L1	Pmax	Charge Port		
CM 200	200	Ø25	10 - 80	80 - 220	180	M6	X	✓
CM 300	300	Ø32	12 - 100	84 - 260	150	M6	✓	✓
CM 350 V1	350	Ø32	10 - 80	70 - 210	180	M6	✓	✓
CM 500 V1	500	Ø38	10 - 100	75 - 260	150	M6	✓	✓
CM 600 V1	600	Ø45	12 - 100	84 - 260	150	M6	✓	✓
CM 1000 V1	1000	Ø50	25 - 200	135 - 495	160	G1/8"	✓	✓
CM 1500 V1	1500	Ø63	25 - 200	135 - 495	150	G1/8"	✓	✓
CM 2500 V1	2500	Ø75	25 - 200	145 - 510	160	G1/8"	✓	✓
CM 4000 V1	4000	Ø95	25 - 200	155 - 530	150	G1/8"	✓	✓
CM 6500 V1	6500	Ø120	25 - 200	165 - 540	150	G1/8"	✓	✓
CM 10000	10000	Ø150	25 - 200	186 - 536	160	G1/8"	✓	✓

	50	50	50	50	50	50	50	50
	Ø50	Ø50	Ø50	Ø50	Ø50	Ø50	Ø50	Ø50
	L1=138 L1=152	L1=138 L1=150 L1=150	L1=170 L1=185 L1=195	L1=195	L1=165 L1=175	L1=220		
	1000 1000	1000 1000 750	750 1000 1000	750	1700 2000	1800		
MODEL	X	CW 1000 KZ 1000	X	CT 1000 CK 1000 FD 750	GN 750 CM 1000 CD 1000	AG 750	CPH 1700 CP 2000	CS 1800
SERIES	MINI	COMPACT HEIGHT	THREADED	LOW PROFILE	HEAVY DUTY	ISO	HEAVY LOAD	POWER COMPACT STROKE

# CM 200

Heavy Duty



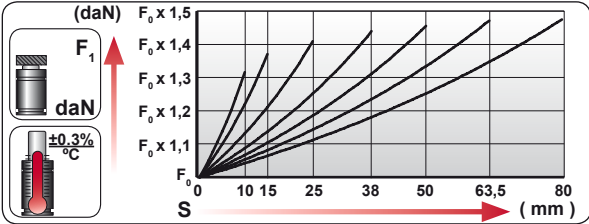
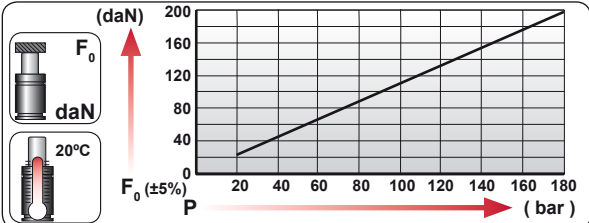



Not to be fixed by screws



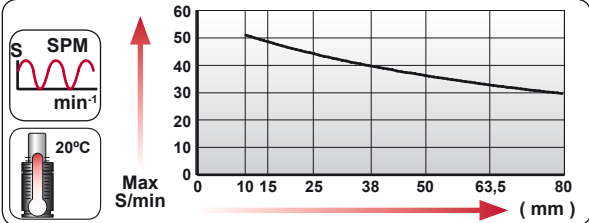
ORDER	S (mm)	L1 ±0,25 (mm)	L (mm)	Kg.
CM 200 010	10	80	70	0.21
CM 200 015	15	90	75	0.22
CM 200 025	25	110	85	0.24
CM 200 038	38	136	98	0.27
CM 200 050	50	160	110	0.29
CM 200 063	63.5	186.5	123	0.31
CM 200 080	80	220	140	0.34

CODE	Pressure Gauge	bar	psi	F <sub>0</sub> daN	F <sub>1</sub> daN
CM 200 050		180	2610	205	300
CM-H 200 050		0	0	---	---



Language	Order Code	F <sub>0</sub> daN	S mm
ENG	ORDER		
DEU	BESTELLUNG		
FRA	COMMANDE		
ITA	ORDINE		
ESP	PEDIDO		
POR	PEDIDO		

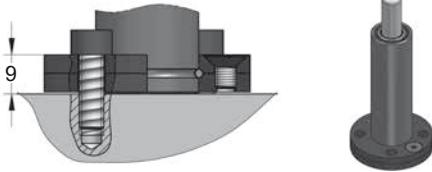
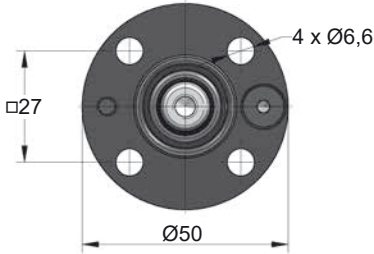
**CM 200 50**  
**CM 200 050**



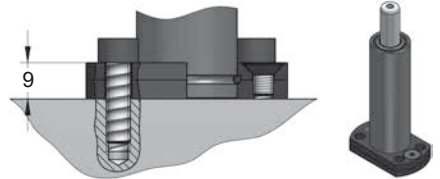
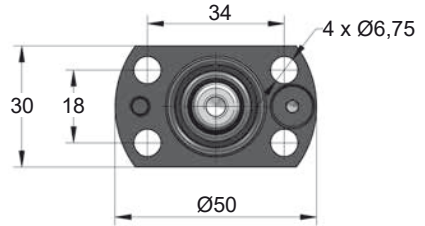
N <sub>2</sub>	S <sub>max</sub> < 90%	V <sub>max</sub> 1,6 m/s	P <sub>min</sub> (20°C)	P <sub>max</sub> (20°C)	T <sub>min</sub>	T <sub>max</sub>	

bar	psi	bar	psi	°C	°F	°C	°F	<b>X</b>
20	290	180	2610	0	32	80	176	

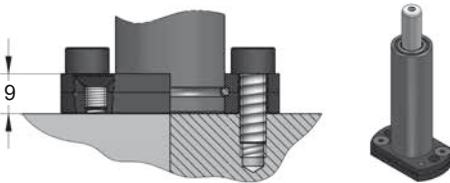
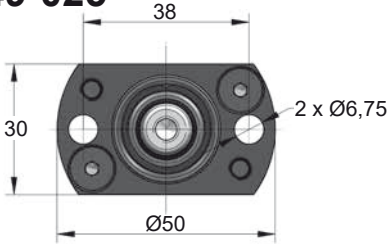
**A14-025**



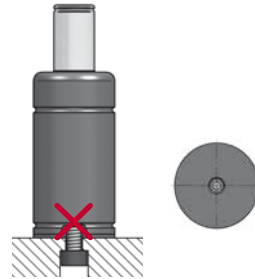
**A44-025**



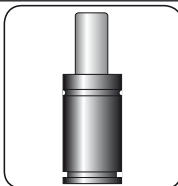
**A49-025**



**Single base thread**

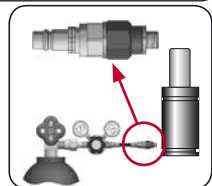
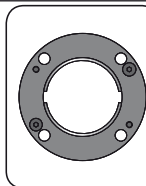


Gas springs with only a single base thread should not be mounted by screws.



**SEAL**  
KIT S-XXXXXXX

**CARTRIDGE**  
KIT C-XXXXXXX

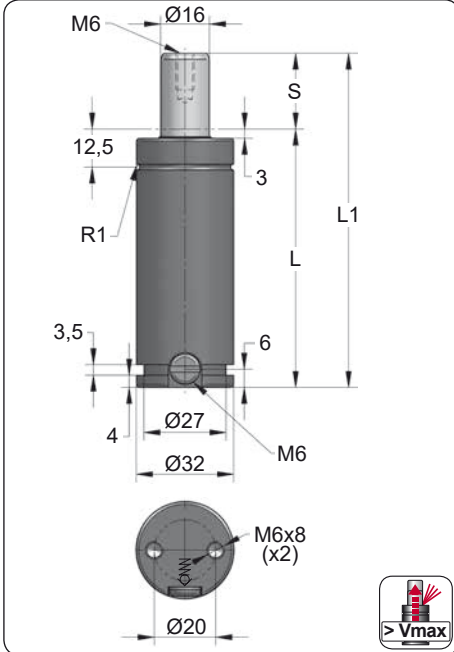


CODE	CM 200 050	KIT S-XXXXXXX KIT C-XXXXXXX	A14-025	06 CG 2-Q
ENG ORDER	GAS SPRING	REPAIR KIT	FLANGE	CHARGING ADAPTER
DEU BESTELLUNG	GASDRUCKFEDER	ERSATZTEILSATZ	FLANSCH	LADEADAPTER
FRA COMMANDE	RESSORT À GAZ	KIT DE RÉPARATION	BRIDE	RACCORD DE CHARGE
ITA ORDINE	CILINDRO AD AZOTO	KIT DI MANUTENZIONE	FLANGE	ADATTATORE DI CARICO
ESP PEDIDO	RESORTE DE GAS	KIT DE REPARACION	BRIDA	ADAPTADOR DE CARGA
POR PEDIDO	CILINDRO DE GAS	KIT DE MANUTENÇÃO	FLANGE	ADAPTADOR DE CARGA

# CM 300

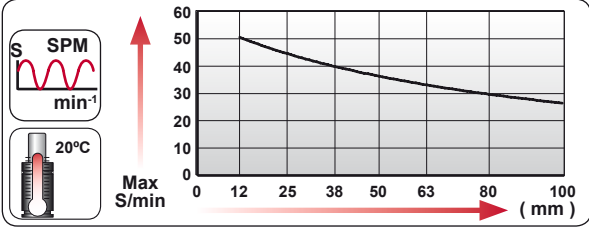
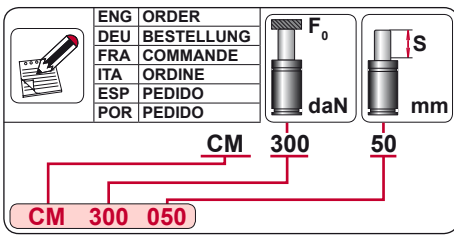
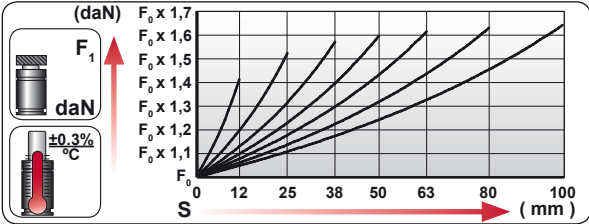
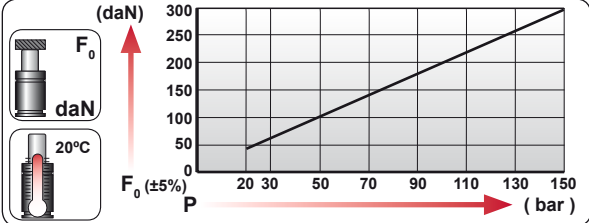
Heavy Duty



ORDER	S (mm)	L1 ±0,25 (mm)	L (mm)	Kg.
CM 300 012	12	84	72	0.35
CM 300 025	25	110	85	0.39
CM 300 038	38	136	98	0.44
CM 300 050	50	160	110	0.48
CM 300 063	63	186	123	0.52
CM 300 080	80	220	140	0.58
CM 300 100	100	260	160	0.65

CODE	Pressure Gauge	bar	psi	F <sub>0</sub> daN	F <sub>1</sub> daN
CM 300 050		150	2175	300	480
CM-H 300 050		0	0	---	---



N<sub>2</sub>

Smax < 90%

Vmax 1,6 m/s

Pmin (20°C)  
Pmax (20°C)

Tmin  
Tmax

600 CP-

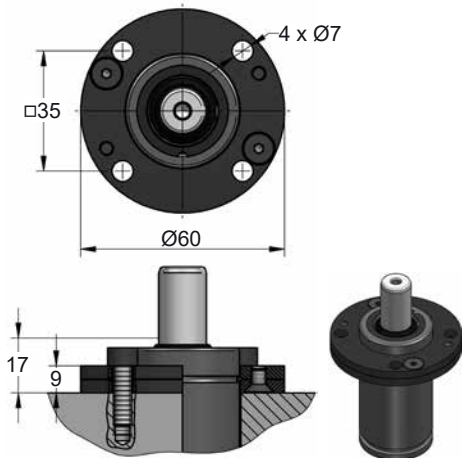
bar	psi	bar	psi	°C	°F	°C	°F
20	290	150	2175	0	32	80	176



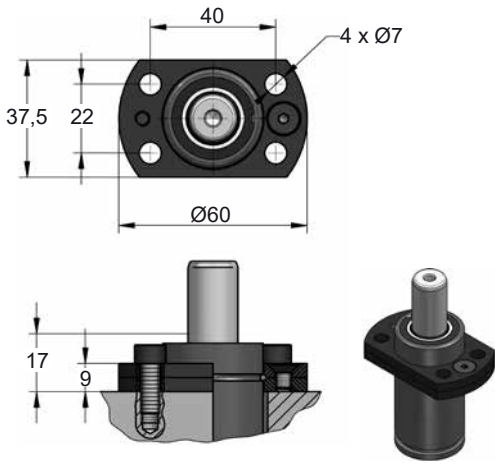
# CM 300 MOUNTS

Heavy Duty

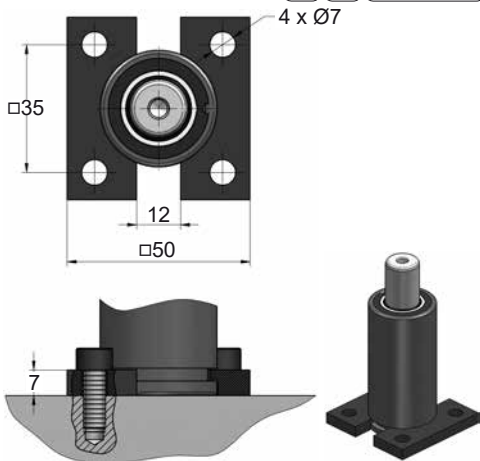
## A14-032



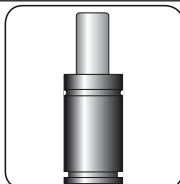
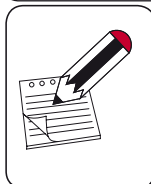
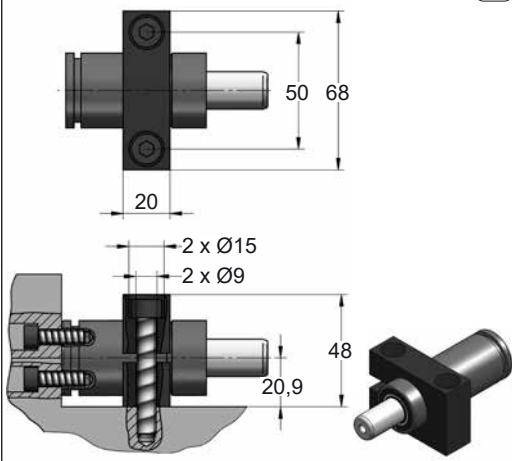
## A44-032



## C20-032



## D67-032

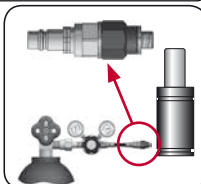
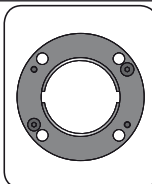


SEAL

KIT S-XXXXXXX

CARTRIDGE

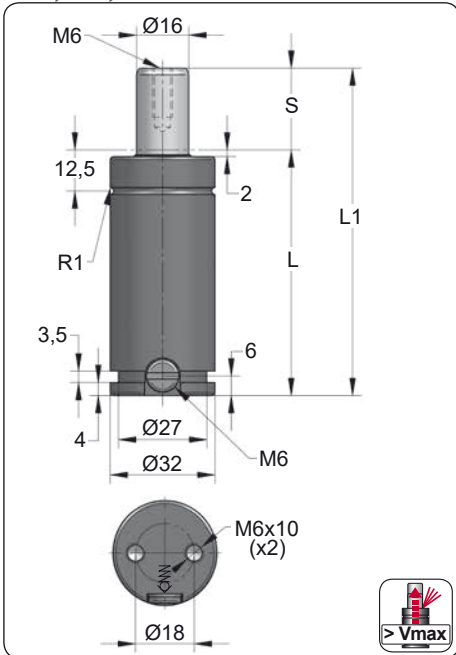
KIT C-XXXXXXX



CODE	CM 300 050	KIT S-XXXXXXX KIT C-XXXXXXX	A14-032	06 CG 2-Q
ENG ORDER	GAS SPRING	REPAIR KIT	FLANGE	CHARGING ADAPTER
DEU BESTELLUNG	GASDRUCKFEDER	ERSATZTEILSATZ	FLANSCHEN	LADEADAPTER
FRA COMMANDE	RESSORT À GAZ	KIT DE RÉPARATION	BRIDE	RACCORD DE CHARGE
ITA ORDINE	CILINDRO AD AZOTO	KIT DI MANUTENZIONE	FLANGE	ADATTATORE DI CARICO
ESP PEDIDO	RESORTE DE GAS	KIT DE REPARACION	BRIDA	ADAPTADOR DE CARGA
POR PEDIDO	CILINDRO DE GÁS	KIT DE MANUTENÇÃO	FLANGE	ADAPTADOR DE CARGA

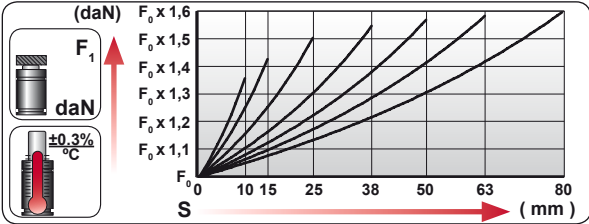
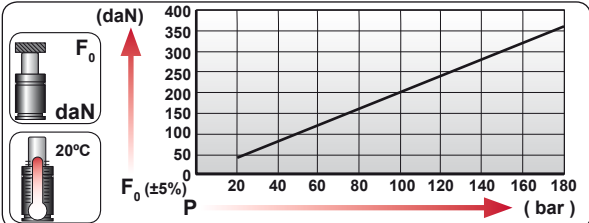
# CM 350 V1

Heavy Duty



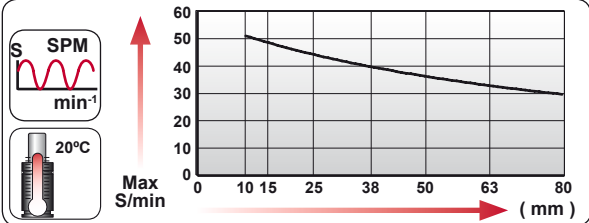
ORDER	S (mm)	L1 ±0,25 (mm)	L (mm)	Kg.
CM 350 010 V1	10	70	60	0.29
CM 350 015 V1	15	80	65	0.30
CM 350 025 V1	25	100	75	0.34
CM 350 038 V1	38	126	88	0.38
CM 350 050 V1	50	150	100	0.42
CM 350 063 V1	63	176	113	0.47
CM 350 080 V1	80	210	130	0.52

CODE	Pressure Gauge	bar	psi	F <sub>0</sub> daN	F <sub>1</sub> daN
CM 350 050 V1		175	2540	350	550
CM-H 350 050 V1		0	0	---	---



	ENG ORDER		F <sub>0</sub>		S
	DEU BESTELLUNG	350	daN	50	mm
	FRA COMMANDE				
	ITA ORDINE				
	ESP PEDIDO				
POR PEDIDO					

**CM 350 050 V1**



N <sub>2</sub>	S <sub>max</sub> < 90%	V <sub>max</sub> 1,6 m/s	P <sub>min</sub> (20°C)	P <sub>max</sub> (20°C)	T <sub>min</sub>	T <sub>max</sub>	600 CP-

bar	psi	bar	psi	°C	°F	°C	°F
20	290	180	2610	0	32	80	176

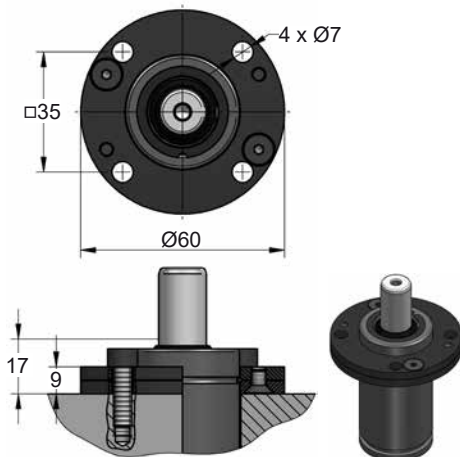




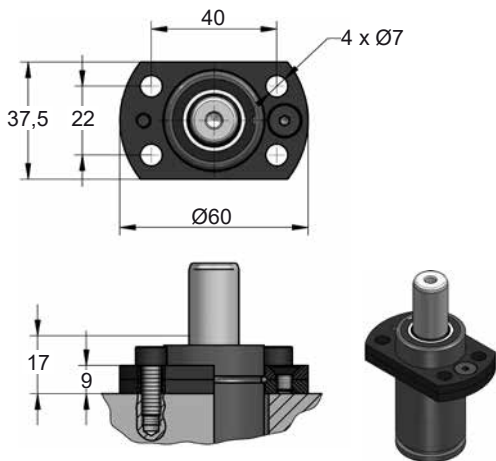
# CM 350 V1 MOUNTS

Heavy Duty

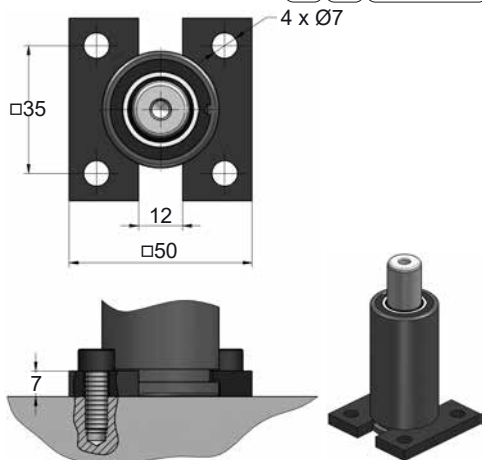
## A14-032



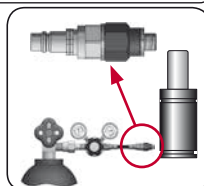
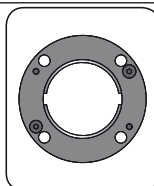
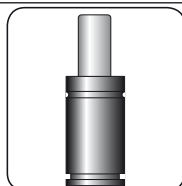
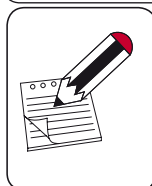
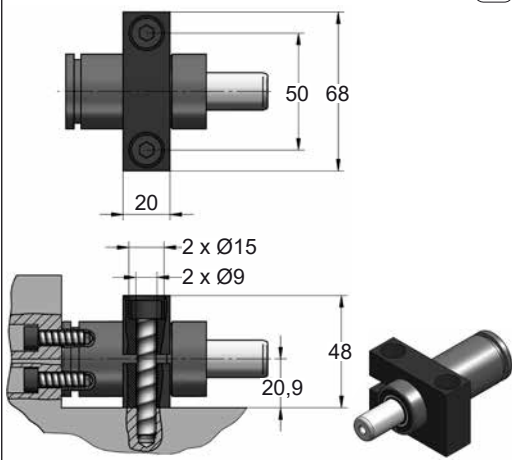
## A44-032



## C20-032



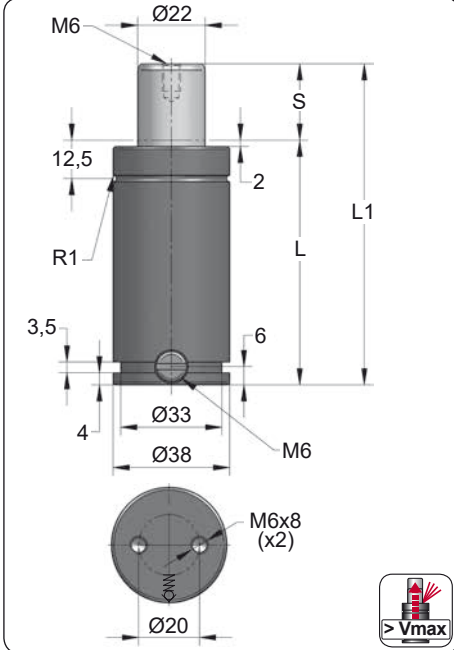
## D67-032



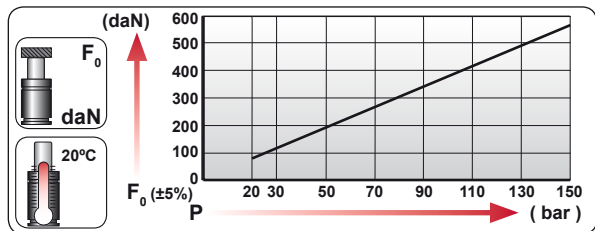
CODE	CM 350 050 V1	KIT S-XXXXXXX KIT C-XXXXXXX	A14-032	06 CG 2-Q	
ENG	ORDER	GAS SPRING	REPAIR KIT	FLANGE	CHARGING ADAPTER
DEU	BESTELLUNG	GASDRUCKFEDER	ERSATZTEILSATZ	FLANSCHEN	LADEADAPTER
FRA	COMMANDE	RESSORT À GAZ	KIT DE RÉPARATION	BRIDE	RACCORD DE CHARGE
ITA	ORDINE	CILINDRO AD AZOTO	KIT DI MANUTENZIONE	FLANGE	ADATTATORE DI CARICO
ESP	PEDIDO	RESORTE DE GAS	KIT DE REPARACION	BRIDA	ADAPTADOR DE CARGA
POR	PEDIDO	CILINDRO DE GÁS	KIT DE MANUTENÇÃO	FLANGE	ADAPTADOR DE CARGA

# CM 500 V1

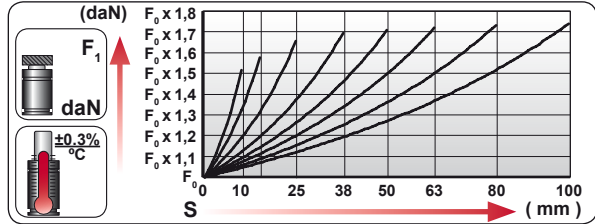
Heavy Duty



ORDER	S (mm)	L1 ±0,25 (mm)	L (mm)	Kg.
CM 500 010 V1	10	75	65	0.43
CM 500 015 V1	15	85	70	0.46
CM 500 025 V1	25	105	80	0.50
CM 500 038 V1	38	131	93	0.56
CM 500 050 V1	50	155	105	0.61
CM 500 063 V1	63	186	123	0.69
CM 500 080 V1	80	220	140	0.76
CM 500 100 V1	100	260	160	0.85



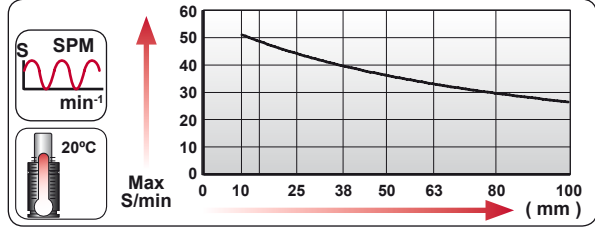
CODE	Pressure (bar/psi)	F <sub>0</sub> (daN)	F <sub>1</sub> (daN)
CM 500 050 V1	130 / 1885	495	855
CM-H 500 050 V1	0 / 0	---	---



ENG ORDER  
 DEU BESTELLUNG  
 FRA COMMANDE  
 ITA ORDINE  
 ESP PEDIDO  
 POR PEDIDO

F<sub>0</sub> daN  
 S mm

**CM 500 50**  
**CM 500 050 V1**



	S <sub>max</sub> < 90%	V <sub>max</sub> 1,6 m/s	P <sub>min</sub> (20°C)	P <sub>max</sub> (20°C)	T <sub>min</sub>	T <sub>max</sub>	
--	------------------------	--------------------------	-------------------------	-------------------------	------------------	------------------	--

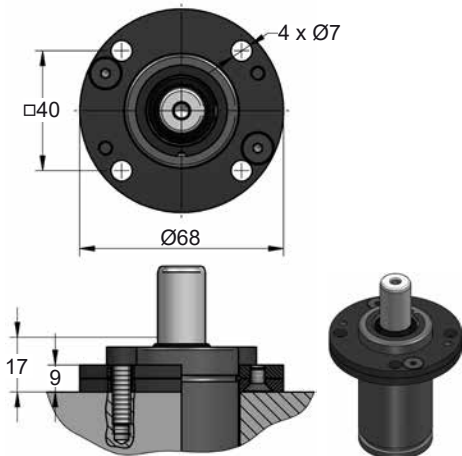
N <sub>2</sub>	S <sub>max</sub> < 90%	V <sub>max</sub> 1,6 m/s	bar psi 20 290	bar psi 150 2175	°C °F 0 32	°C °F 80 176	600 CP-
----------------	------------------------	--------------------------	-------------------	---------------------	---------------	-----------------	---------



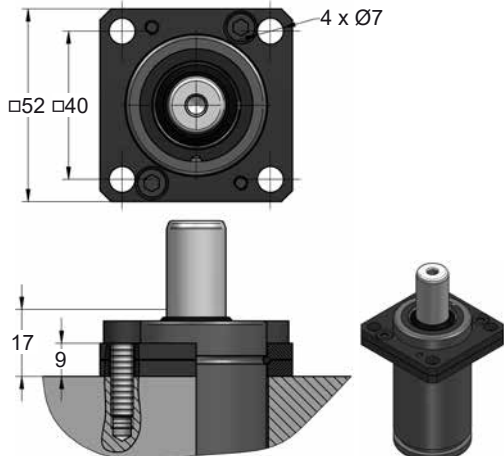
# CM 500 V1 MOUNTS

Heavy Duty

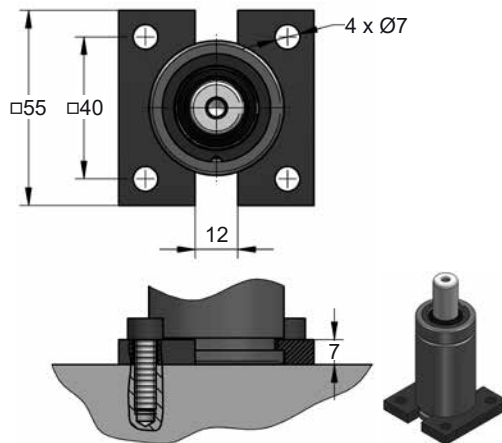
## A14-038



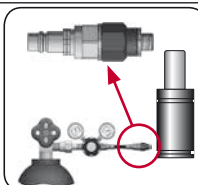
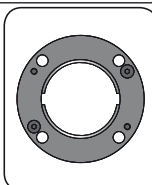
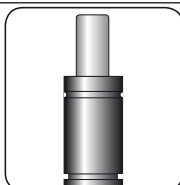
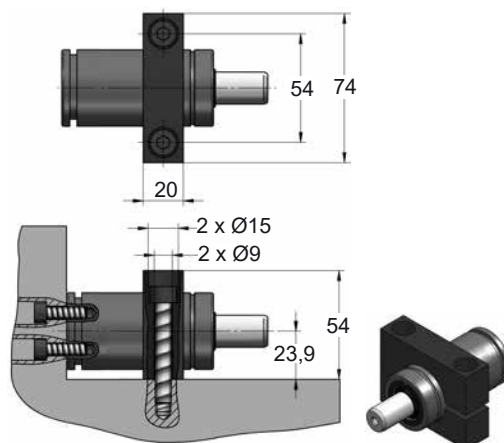
## A34-038



## C20-038



## D67-038

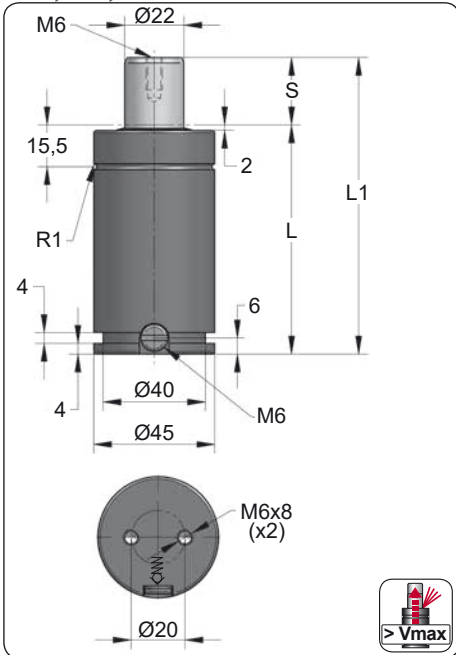


CODE	CM 500 050 V1	KIT S-XXXXXXX KIT C-XXXXXXX	A14-038	06 CG 2-Q
ENG ORDER	GAS SPRING	REPAIR KIT	FLANGE	CHARGING ADAPTER
DEU BESTELLUNG	GASDRUCKFEDER	ERSATZTEILSATZ	FLANSCHEN	LADEADAPTER
FRA COMMANDE	RESSORT À GAZ	KIT DE RÉPARATION	BRIDE	RACCORD DE CHARGE
ITA ORDINE	CILINDRO AD AZOTO	KIT DI MANUTENZIONE	FLANGE	ADATTATORE DI CARICO
ESP PEDIDO	RESORTE DE GAS	KIT DE REPARACION	BRIDA	ADAPTADOR DE CARGA
POR PEDIDO	CILINDRO DE GÁS	KIT DE MANUTENÇÃO	FLANGE	ADAPTADOR DE CARGA

# CM 600 V1

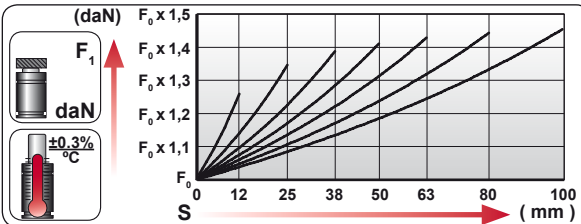
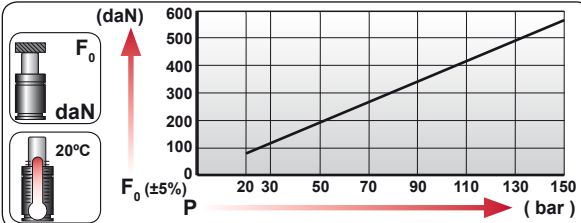
Heavy Duty



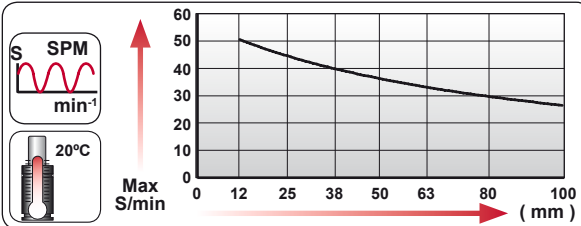
ORDER	S (mm)	L1 ±0,25 (mm)	L (mm)	Kg.
CM 600 012 V1	12	84	72	0.66
CM 600 025 V1	25	110	85	0.73
CM 600 038 V1	38	136	98	0.81
CM 600 050 V1	50	160	110	0.87
CM 600 063 V1	63	186	123	0.94
CM 600 080 V1	80	220	140	1.04
CM 600 100 V1	100	260	160	1.15

CODE				
	bar	psi	daN	daN
CM 600 050 V1	150	2175	570	805
CM-H 600 050 V1	0	0	---	---



	ENG ORDER DEU BESTELLUNG FRA COMMANDE ITA ORDINE ESP PEDIDO POR PEDIDO		
		daN	mm

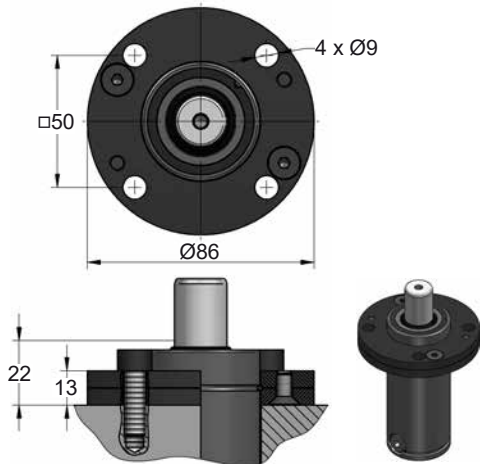
CM 600 050 V1



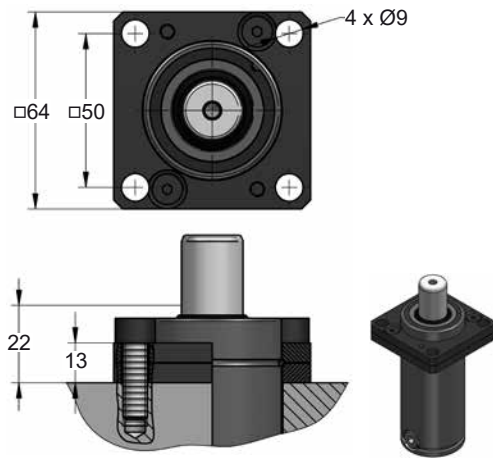
N <sub>2</sub>	S <sub>max</sub> < 90%	V <sub>max</sub> 1,6 m/s	P <sub>min</sub> (20°C)	P <sub>max</sub> (20°C)	T <sub>min</sub>	T <sub>max</sub>	600 CP-

bar	psi	bar	psi	°C	°F	°C	°F
20	290	150	2175	0	32	80	176

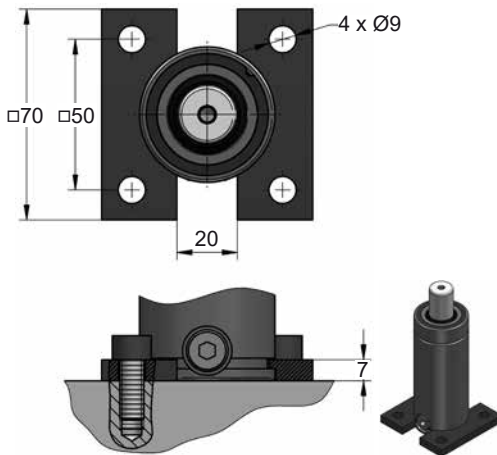
## A14-045



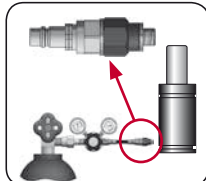
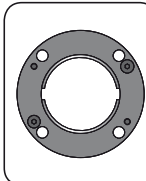
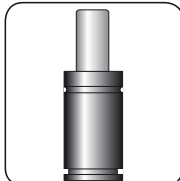
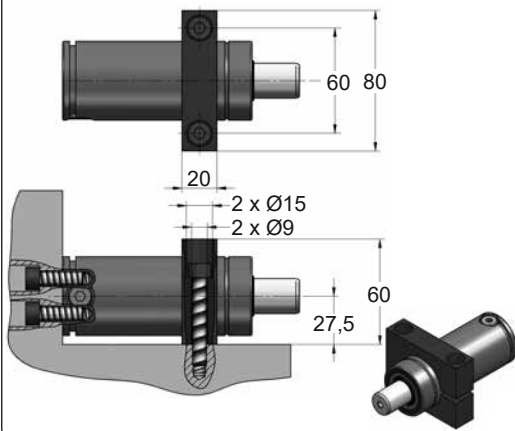
## A34-045



## C20-045



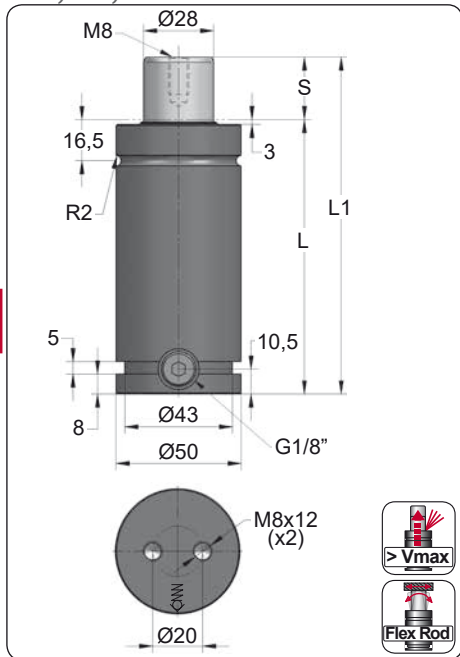
## D67-045



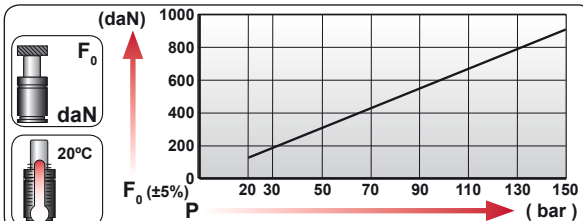
CODE	CM 600 050 V1	KIT S-XXXXXXX KIT C-XXXXXXX	A14-045	06 CG 2-Q
ENG ORDER	GAS SPRING	REPAIR KIT	FLANGE	CHARGING ADAPTER
DEU BESTELLUNG	GASDRUCKFEDER	ERSATZTEILSATZ	FLANSCH	LADEADAPTER
FRA COMMANDE	RESSORT À GAZ	KIT DE RÉPARATION	BRIDE	RACCORD DE CHARGE
ITA ORDINE	CILINDRO AD AZOTO	KIT DI MANUTENZIONE	FLANGE	ADATTATORE DI CARICO
ESP PEDIDO	RESORTE DE GAS	KIT DE REPARACION	BRIDA	ADAPTADOR DE CARGA
POR PEDIDO	CILINDRO DE GAS	KIT DE MANUTENÇÃO	FLANGE	ADAPTADOR DE CARGA

# CM 1000 V1

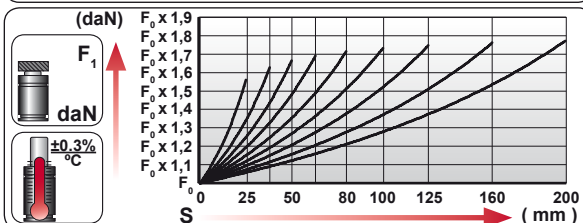
Heavy Duty



ORDER	S (mm)	L1 ±0,25 (mm)	L (mm)	Kg.
CM 1000 025 V1	25	135	110	1.29
CM 1000 038 V1	38	161	123	1.40
CM 1000 050 V1	50	185	135	1.50
CM 1000 063 V1	63	211	148	1.61
CM 1000 080 V1	80	245	165	1.75
CM 1000 100 V1	100	295	195	1.98
CM 1000 125 V1	125	345	220	2.19
CM 1000 160 V1	160	415	255	2.48
CM 1000 200 V1	200	495	295	2.81

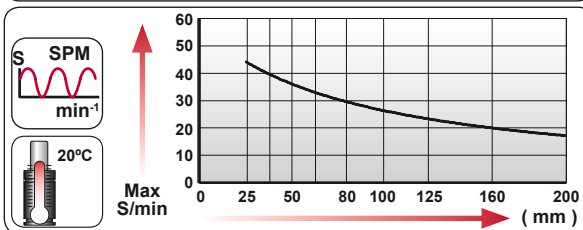


CODE	Pressure (bar/psi)	F <sub>0</sub> (daN)	F <sub>1</sub> (daN)
CM 1000 050 V1	160 / 2320	985	1640
CM-H 1000 050 V1	0 / 0	---	---



ENG ORDER  
 DEU BESTELLUNG  
 FRA COMMANDE  
 ITA ORDINE  
 ESP PEDIDO  
 POR PEDIDO



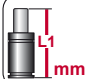


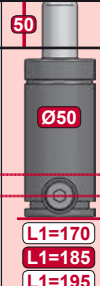
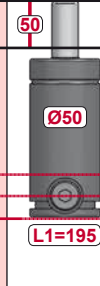
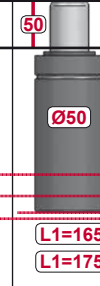
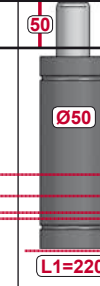


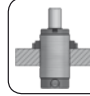


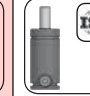


CM 1000 50  
 CM 1000 050 V1



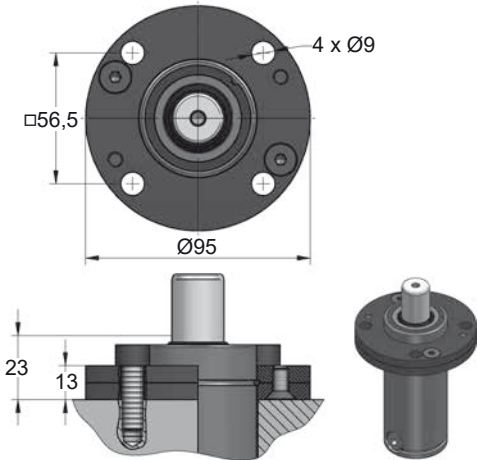
N <sub>2</sub>	Smax < 90%	Vmax 1,6 m/s	bar psi 20 290	bar psi 160 2320	°C °F 0 32	°C °F 80 176	600 CP-
----------------	------------	--------------	-------------------	---------------------	---------------	-----------------	---------

# CM 1000 V1 MOUNTS

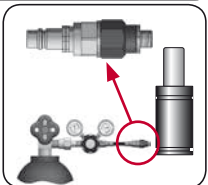
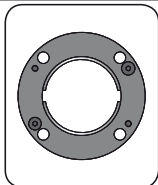
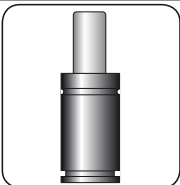
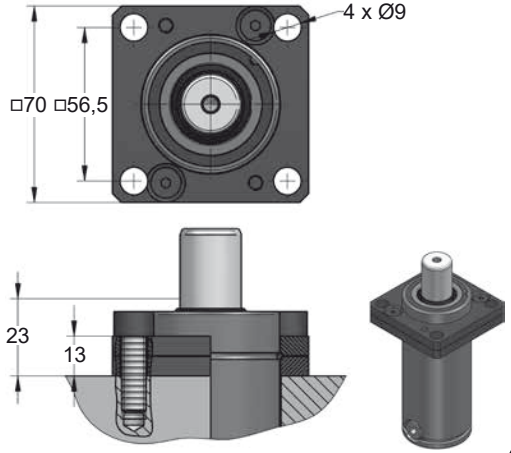
Heavy Duty

								
			L1=138 L1=152	L1=138 L1=150 L1=150	L1=170 L1=185 L1=195	L1=195	L1=165 L1=175	L1=220
MODEL	<b>X</b>	CW 1000 KZ 1000	<b>X</b>	CT 1000 CK 1000 FD 750	GN 750 CM 1000 CD 1000	AG 750	CPH 1700 CP 2000	CS 1800
SERIES	MINI	COMPACT HEIGHT	THREADED	LOW PROFILE	HEAVY DUTY	ISO	HEAVY LOAD	POWER COMPACT STROKE
								

## A14-050



## A34-050




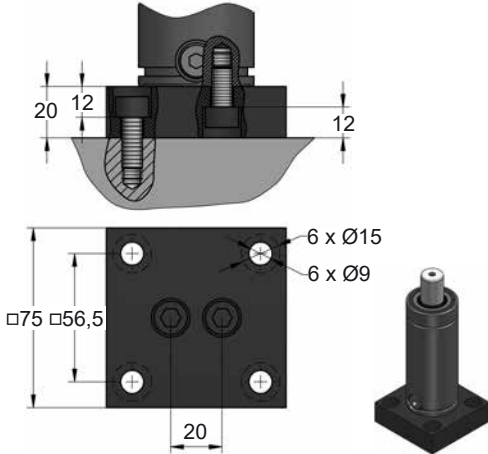
CODE	CM 1000 050 V1	KIT S-XXXXXXX KIT C-XXXXXXX	A14-050	18 CG 1-Q
ENG ORDER	GAS SPRING	REPAIR KIT	FLANGE	CHARGING ADAPTER
DEU BESTELLUNG	GASDRUCKFEDER	ERSATZTEILSATZ	FLANSCHEN	LADEADAPTER
FRA COMMANDE	RESSORT À GAZ	KIT DE RÉPARATION	BRIDE	RACCORD DE CHARGE
ITA ORDINE	CILINDRO AD AZOTO	KIT DI MANUTENZIONE	FLANGE	ADATTATORE DI CARICO
ESP PEDIDO	RESORTE DE GAS	KIT DE REPARACION	BRIDA	ADAPTADOR DE CARGA
POR PEDIDO	CILINDRO DE GÁS	KIT DE MANUTENÇÃO	FLANGE	ADAPTADOR DE CARGA

# CM 1000 V1 MOUNTS

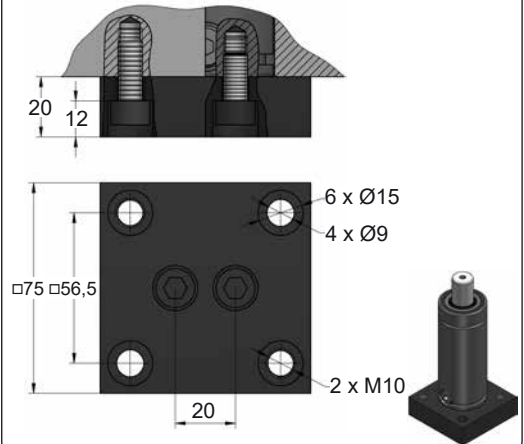
Heavy Duty

**AZOL**  
**GAS**

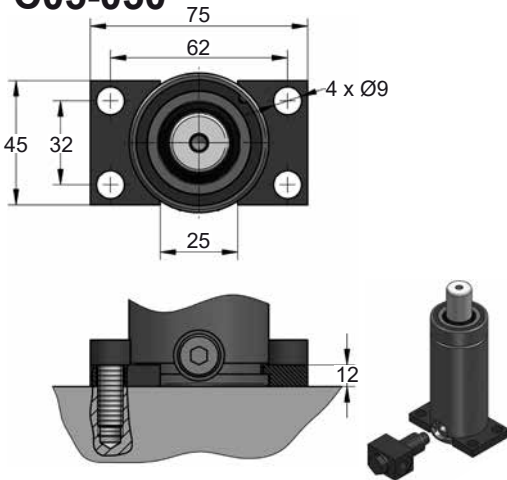
## B21-050

 EM24.54.700/F


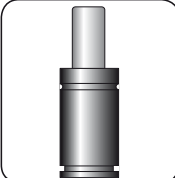
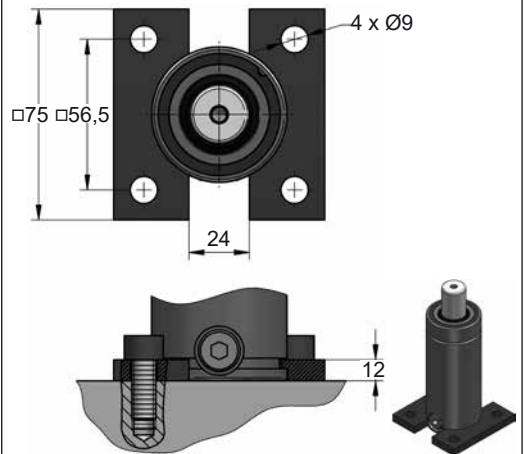
## B76-050

   E24.54.815.G  
EM24.54.700/F


## C05-050

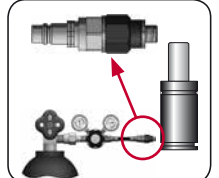
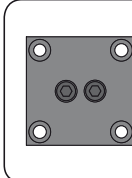


## C20-050

    E24.54.815.G  
EM24.54.700/F


**SEAL**  
**KIT S-XXXXXXX**

**CARTRIDGE**  
**KIT C-XXXXXXX**



CODE	CM 1000 050 V1	KIT S-XXXXXXX KIT C-XXXXXXX	B21-050	18 CG 1-Q
ENG	ORDER	GAS SPRING	FLANGE	CHARGING ADAPTER
DEU	BESTELLUNG	GASDRUCKFEDER	FLANSCH	LADEADAPTER
FRA	COMMANDE	RESSORT À GAZ	BRIDE	RACCORD DE CHARGE
ITA	ORDINE	CILINDRO AD AZOTO	FLANGE	ADATTATORE DI CARICO
ESP	PEDIDO	RESORTE DE GAS	BRIDA	ADAPTADOR DE CARGA
POR	PEDIDO	CILINDRO DE GÁS	FLANGE	ADAPTADOR DE CARGA



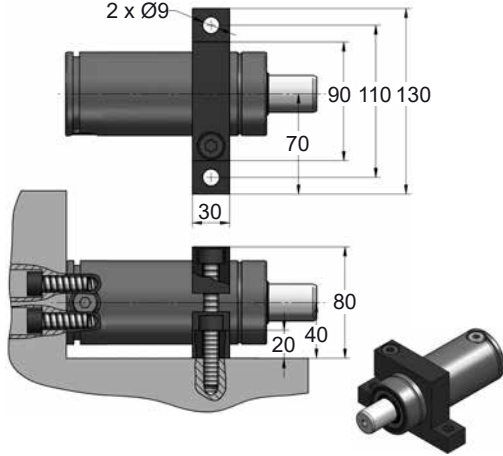
# CM 1000 V1 MOUNTS

Heavy Duty

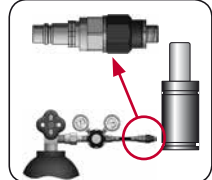
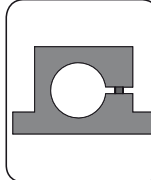
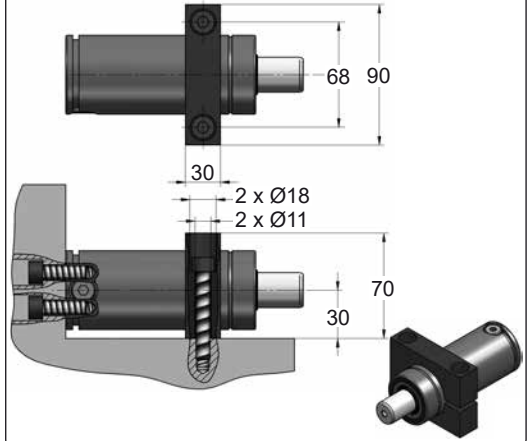
## D02-050



E24.54.815.G  
EM24.54.700/F



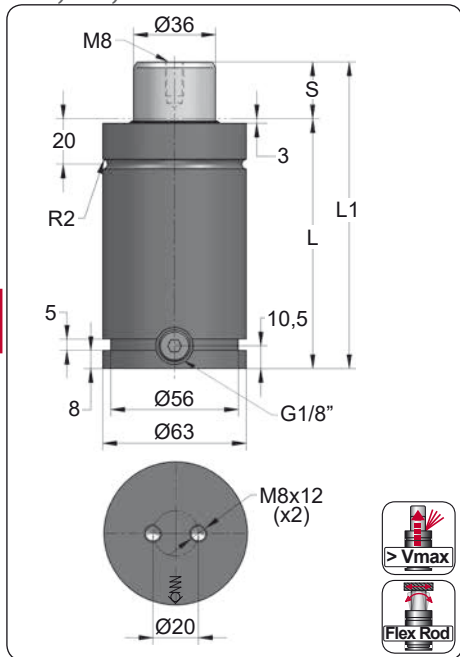
## D67-050



CODE	CM 1000 050 V1	KIT S-XXXXXXX KIT C-XXXXXXX	D02-050	18 CG 1-Q
ENG ORDER	GAS SPRING	REPAIR KIT	FLANGE	CHARGING ADAPTER
DEU BESTELLUNG	GASDRUCKFEDER	ERSATZTEILSATZ	FLANSCHEN	LADEADAPTER
FRA COMMANDE	RESSORT À GAZ	KIT DE RÉPARATION	BRIDE	RACCORD DE CHARGE
ITA ORDINE	CILINDRO AD AZOTO	KIT DI MANUTENZIONE	FLANGE	ADATTATORE DI CARICO
ESP PEDIDO	RESORTE DE GAS	KIT DE REPARACION	BRIDA	ADAPTADOR DE CARGA
POR PEDIDO	CILINDRO DE GÁS	KIT DE MANUTENÇÃO	FLANGE	ADAPTADOR DE CARGA

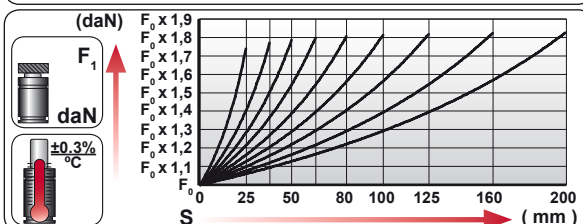
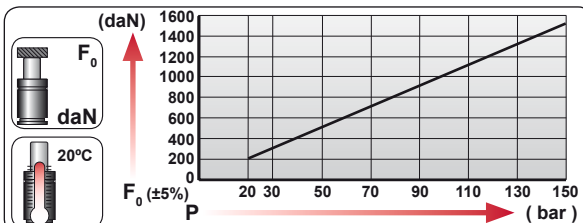
# CM 1500 V1

Heavy Duty



ORDER	S (mm)	L1 ±0,25 (mm)	L (mm)	Kg.
CM 1500 025 V1	25	135	110	2.03
CM 1500 038 V1	38	161	123	2.20
CM 1500 050 V1	50	185	135	2.35
CM 1500 063 V1	63	211	148	2.51
CM 1500 080 V1	80	245	165	2.73
CM 1500 100 V1	100	285	185	2.98
CM 1500 125 V1	125	345	220	3.38
CM 1500 160 V1	160	415	255	3.82
CM 1500 200 V1	200	495	295	4.32

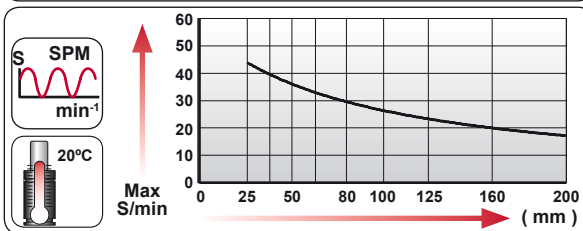
CODE				
	bar	psi	daN	daN
CM 1500 050 V1	150	2175	1530	2730
CM-H 1500 050 V1	0	0	---	---



ENG ORDER  
 DEU BESTELLUNG  
 FRA COMMANDE  
 ITA ORDINE  
 ESP PEDIDO  
 POR PEDIDO

$F_0$  daN  
 S mm

**CM 1500 50**  
**CM 1500 050 V1**



	$S_{max} < 90\%$	$V_{max} 1,6 \text{ m/s}$	Pmin (20°C)	Pmax (20°C)	Tmin	Tmax	
--	------------------	---------------------------	-------------	-------------	------	------	--

N <sub>2</sub>	$S_{max} < 90\%$	$V_{max} 1,6 \text{ m/s}$	bar psi 20 290	bar psi 150 2175	°C °F 0 32	°C °F 80 176	600 CP-
----------------	------------------	---------------------------	-------------------	---------------------	---------------	-----------------	---------

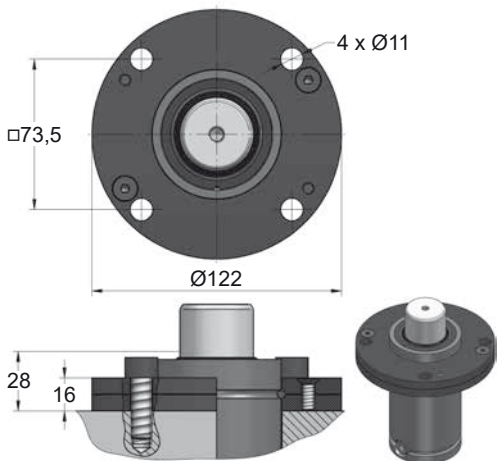


# CM 1500 V1 MOUNTS

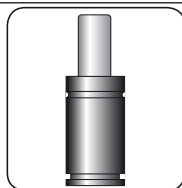
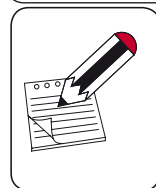
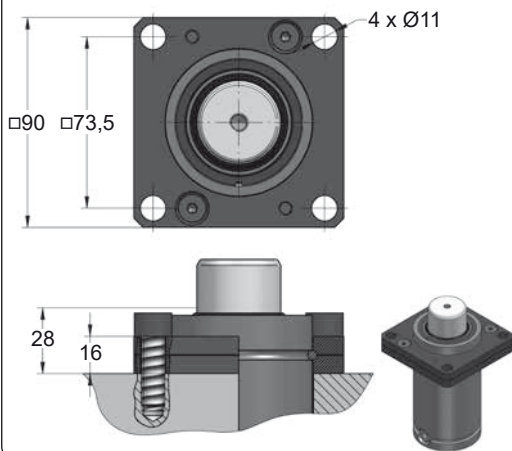
Heavy Duty

	L1=144 L1=152	L1=152 L1=160	L1=185 L1=195	L1=175 L1=190	L1=205			
MODEL	<b>X</b> CW 1500 KZ 1500	<b>X</b>	CT 1500 CK 1500	<b>CM 1500</b> CD 1500	<b>X</b>	CPH 2800 CP 3000	CS 3000	
SERIES	MINI 	COMPACT HEIGHT 	THREADED 	LOW PROFILE 	HEAVY DUTY 	ISO 	HEAVY LOAD 	POWER COMPACT STROKE 

## A14-063

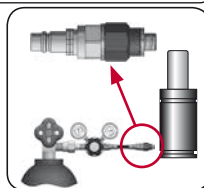
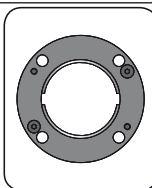


## A39-063



SEAL  
KIT S-XXXXXXX

CARTRIDGE  
KIT C-XXXXXXX



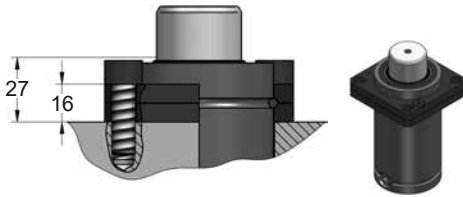
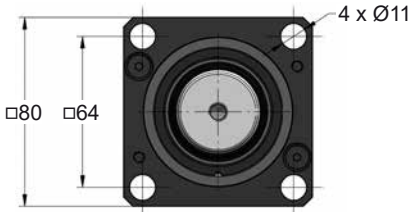
CODE	CM 1500 050 V1	KIT S-XXXXXXX KIT C-XXXXXXX	A14-063	18 CG 1-Q
ENG ORDER	GAS SPRING	REPAIR KIT	FLANGE	CHARGING ADAPTER
DEU BESTELLUNG	GASDRUCKFEDER	ERSATZTEILSATZ	FLANSCHEN	LADEADAPTER
FRA COMMANDE	RESSORT À GAZ	KIT DE RÉPARATION	BRIDE	RACCORD DE CHARGE
ITA ORDINE	CILINDRO AD AZOTO	KIT DI MANUTENZIONE	FLANGE	ADATTATORE DI CARICO
ESP PEDIDO	RESORTE DE GAS	KIT DE REPARACION	BRIDA	ADAPTADOR DE CARGA
POR PEDIDO	CILINDRO DE GÁS	KIT DE MANUTENÇÃO	FLANGE	ADAPTADOR DE CARGA

# CM 1500 V1 MOUNTS

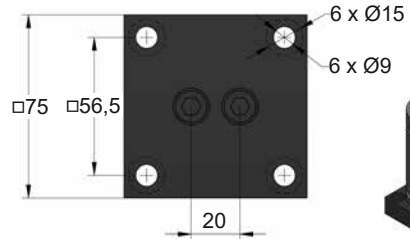
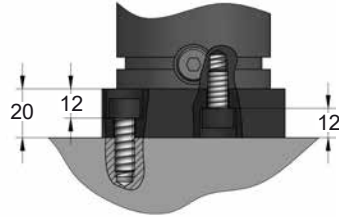
Heavy Duty

**AZOL**  
**GAS**

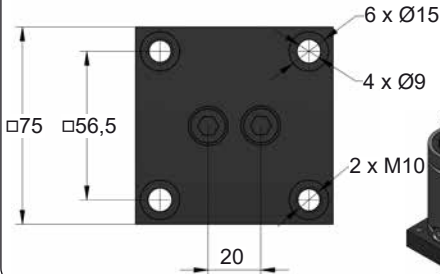
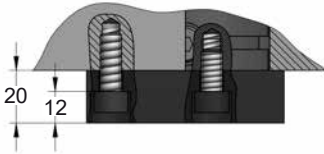
## A69-063



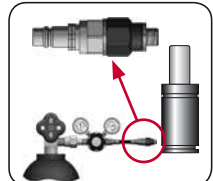
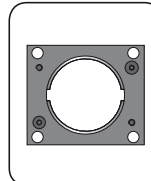
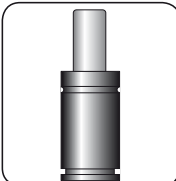
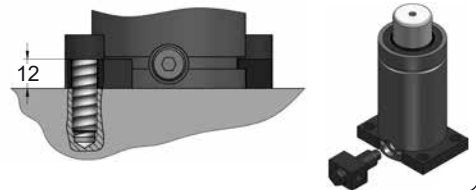
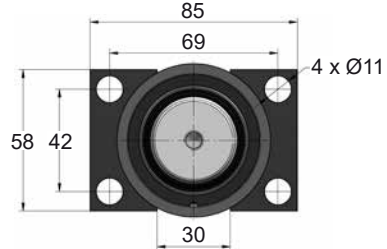
## B21-063



## B76-063



## C05-063

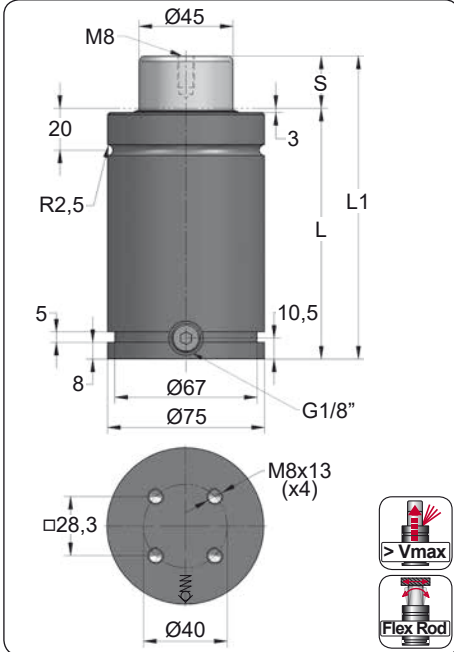


CODE	CM 1500 050 V1	KIT S-XXXXXXX KIT C-XXXXXXX	A69-063	18 CG 1-Q
ENG ORDER	GAS SPRING	REPAIR KIT	FLANGE	CHARGING ADAPTER
DEU BESTELLUNG	GASDRUCKFEDER	ERSATZTEILSATZ	FLANSCHEN	LADEADAPTER
FRA COMMANDE	RESSORT À GAZ	KIT DE RÉPARATION	BRIDE	RACCORD DE CHARGE
ITA ORDINE	CILINDRO AD AZOTO	KIT DI MANUTENZIONE	FLANGE	ADATTATORE DI CARICO
ESP PEDIDO	RESORTE DE GAS	KIT DE REPARACION	BRIDA	ADAPTADOR DE CARGA
POR PEDIDO	CILINDRO DE GAS	KIT DE MANUTENÇÃO	FLANGE	ADAPTADOR DE CARGA



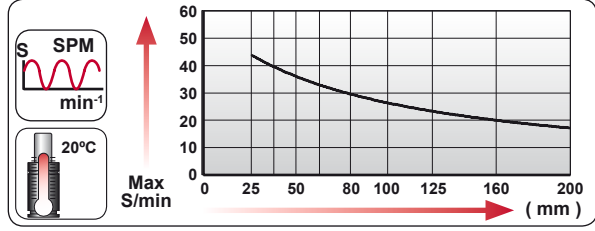
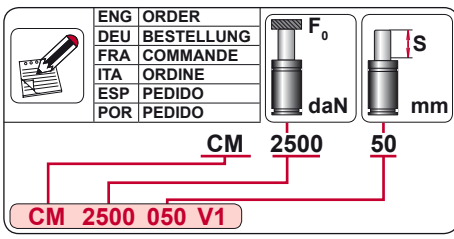
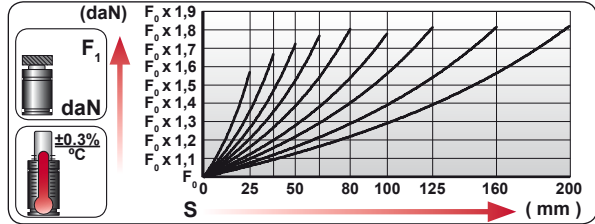
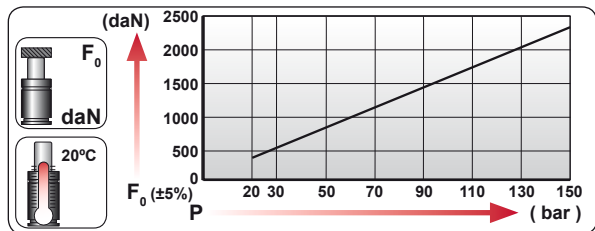
# CM 2500 V1

Heavy Duty



ORDER	S (mm)	L1 ±0,25 (mm)	L (mm)	Kg.
CM 2500 025 V1	25	145	120	2.95
CM 2500 038 V1	38	171	133	3.18
CM 2500 050 V1	50	195	145	3.38
CM 2500 063 V1	63	221	158	3.60
CM 2500 080 V1	80	255	175	3.90
CM 2500 100 V1	100	300	200	4.29
CM 2500 125 V1	125	350	225	4.72
CM 2500 160 V1	160	425	265	5.37
CM 2500 200 V1	200	510	310	6.11

CODE	Pressure Gauge	bar	psi	F <sub>0</sub> daN	F <sub>1</sub> daN
CM 2500 050 V1		155	2450	2465	4250
CM-H 2500 050 V1		0	0	---	---



--	--	--	--	--	--	--	--

N <sub>2</sub>	Smax < 90%	Vmax 1,6 m/s	bar psi 20 290	bar psi 160 2320	°C °F 0 32	°C °F 80 176	600 CP-
----------------	------------	--------------	-------------------	---------------------	---------------	-----------------	---------

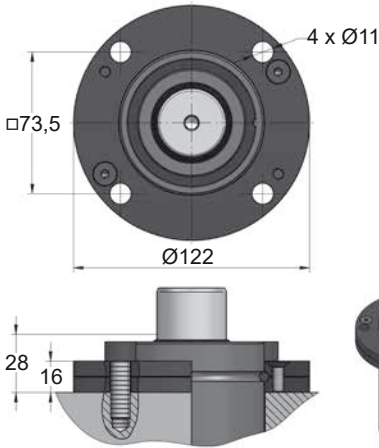


# CM 2500 V1 MOUNTS

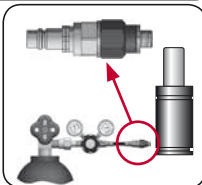
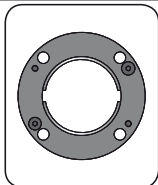
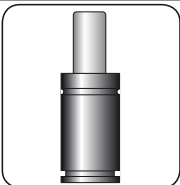
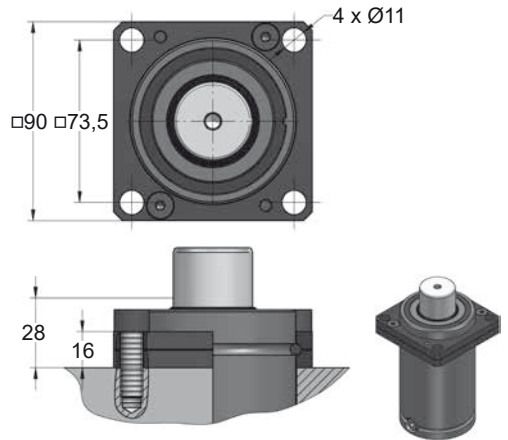
Heavy Duty

<b>MODEL</b>	<b>X</b>	CW 2400 KZ 2400	<b>X</b>	CT 2500 CK 2500 FD 1500	GN 1500 <b>CM 2500</b> CD 2400	AG 1500	CPH 4300 CP 5000	CS 4700
<b>SERIES</b>	MINI	COMPACT HEIGHT	THREADED	LOW PROFILE	HEAVY DUTY	ISO	HEAVY LOAD	POWER COMPACT STROKE

## A14-075



## A34-075



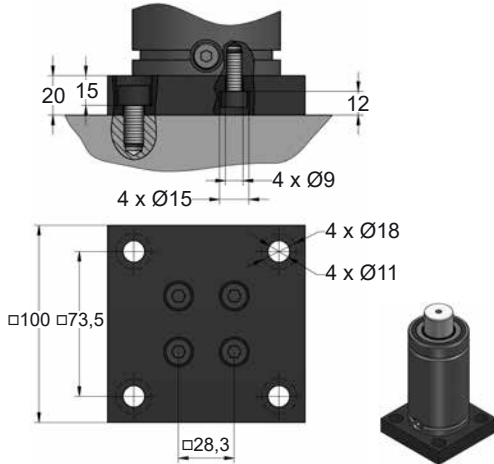
<b>CODE</b>	<b>CM 2500 050 V1</b>	<b>KIT S-XXXXXXX</b> <b>KIT C-XXXXXXX</b>	<b>A14-075</b>	<b>18 CG 1-Q</b>
ENG ORDER	GAS SPRING	REPAIR KIT	FLANGE	CHARGING ADAPTER
DEU BESTELLUNG	GASDRUCKFEDER	ERSATZTEILSATZ	FLANSCHEN	LADEADAPTER
FRA COMMANDE	RESSORT À GAZ	KIT DE RÉPARATION	BRIDE	RACCORD DE CHARGE
ITA ORDINE	CILINDRO AD AZOTO	KIT DI MANUTENZIONE	FLANGE	ADATTATORE DI CARICO
ESP PEDIDO	RESORTE DE GAS	KIT DE REPARACION	BRIDA	ADAPTADOR DE CARGA
POR PEDIDO	CILINDRO DE GÁS	KIT DE MANUTENÇÃO	FLANGE	ADAPTADOR DE CARGA

# CM 2500 V1 MOUNTS

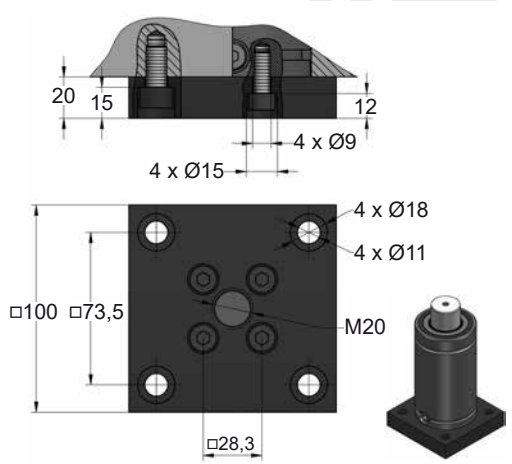
Heavy Duty

**AZOL**  
**GAS**

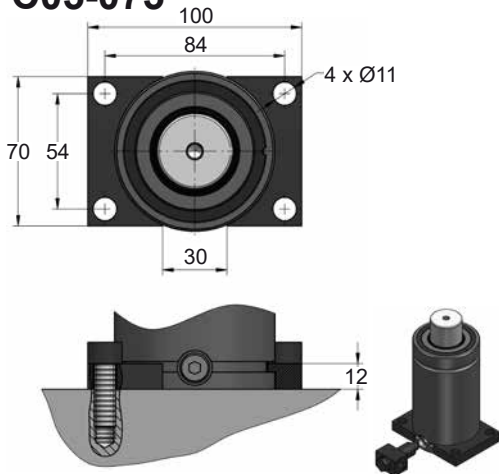
## B21-075

 EM24.54.700/F


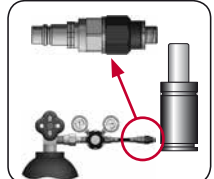
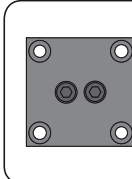
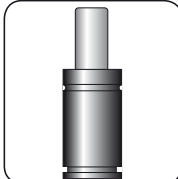
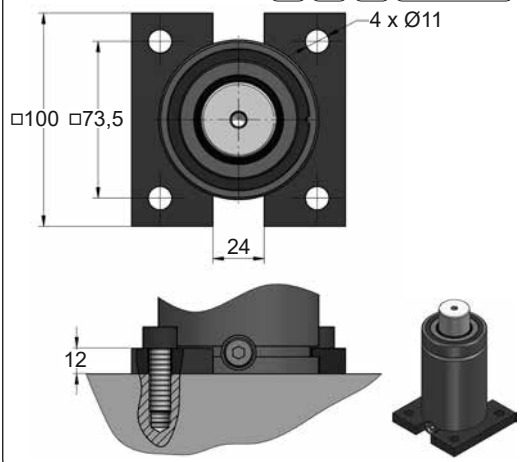
## B76-075

   E24.54.815.G  
EM24.54.700/F


## C05-075



## C20-075

    E24.54.815.G  
EM24.54.700/F


CODE	CM 2500 050 V1	KIT S-XXXXXXX KIT C-XXXXXXX	B21-075	18 CG 1-Q
ENG ORDER	GAS SPRING	REPAIR KIT	FLANGE	CHARGING ADAPTER
DEU BESTELLUNG	GASDRUCKFEDER	ERSATZTEILSATZ	FLANSCHEN	LADEADAPTER
FRA COMMANDE	RESSORT À GAZ	KIT DE RÉPARATION	BRIDE	RACCORD DE CHARGE
ITA ORDINE	CILINDRO AD AZOTO	KIT DI MANUTENZIONE	FLANGE	ADATTATORE DI CARICO
ESP PEDIDO	RESORTE DE GAS	KIT DE REPARACION	BRIDA	ADAPTADOR DE CARGA
POR PEDIDO	CILINDRO DE GÁS	KIT DE MANUTENÇÃO	FLANGE	ADAPTADOR DE CARGA



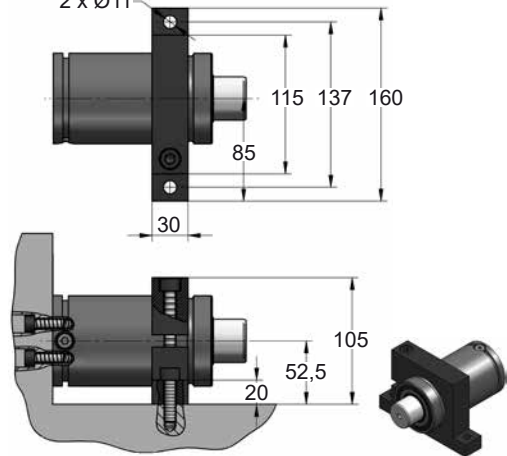
# CM 2500 V1 MOUNTS

Heavy Duty

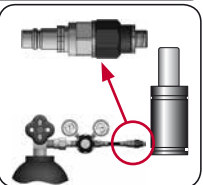
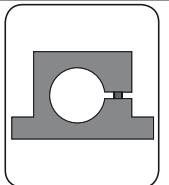
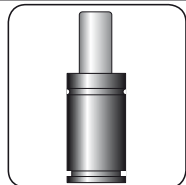
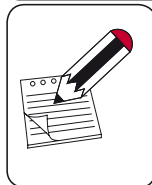
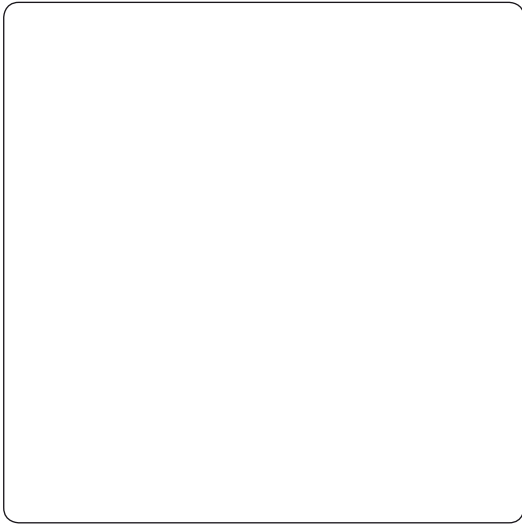
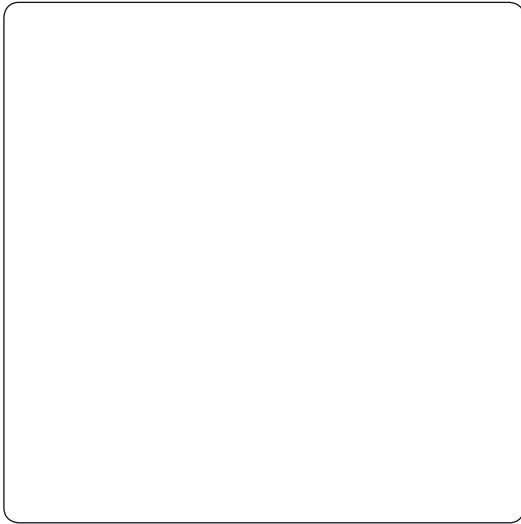
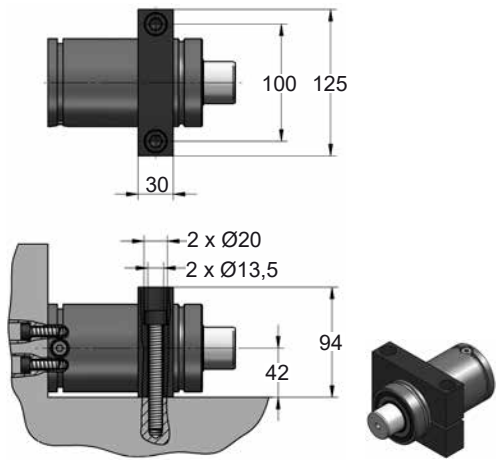


## D02-075

2 x Ø11



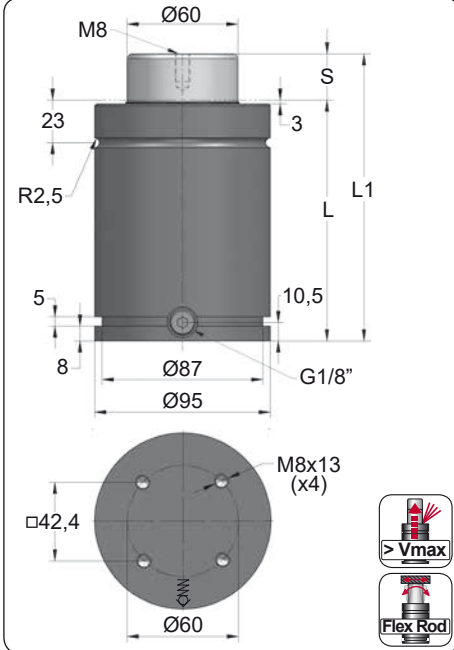
## D67-075



CODE	CM 2500 050 V1	KIT S-XXXXXXX KIT C-XXXXXXX	D02-075	18 CG 1-Q
ENG ORDER	GAS SPRING	REPAIR KIT	FLANGE	CHARGING ADAPTER
DEU BESTELLUNG	GASDRUCKFEDER	ERSATZTEILSATZ	FLANSCHEN	LADEADAPTER
FRA COMMANDE	RESSORT À GAZ	KIT DE RÉPARATION	BRIDE	RACCORD DE CHARGE
ITA ORDINE	CILINDRO AD AZOTO	KIT DI MANUTENZIONE	FLANGE	ADATTATORE DI CARICO
ESP PEDIDO	RESORTE DE GAS	KIT DE REPARACION	BRIDA	ADAPTADOR DE CARGA
POR PEDIDO	CILINDRO DE GÁS	KIT DE MANUTENÇÃO	FLANGE	ADAPTADOR DE CARGA

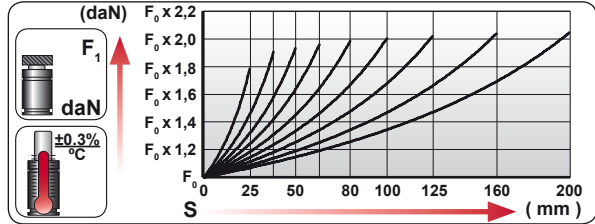
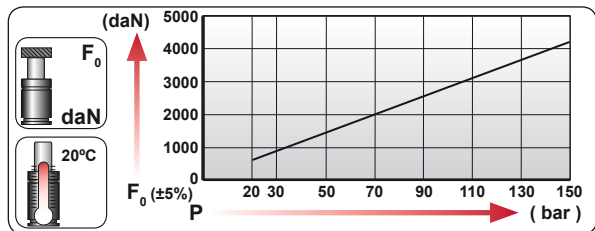
# CM 4000 V1

Heavy Duty



ORDER	S (mm)	L1 ±0,25 (mm)	L (mm)	Kg.
CM 4000 025 V1	25	155	130	5.26
CM 4000 038 V1	38	181	143	5.63
CM 4000 050 V1	50	205	155	5.97
CM 4000 063 V1	63	236	173	6.42
CM 4000 080 V1	80	270	190	6.91
CM 4000 100 V1	100	310	210	7.48
CM 4000 125 V1	125	370	245	8.35
CM 4000 160 V1	160	440	280	9.35
CM 4000 200 V1	200	530	330	10.65

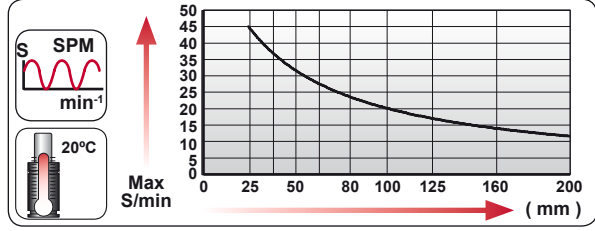
CODE					
		bar	psi	daN	daN
CM 4000 050 V1		140	2030	3960	7660
CM-H 4000 050 V1		0	0	---	---



ENG	ORDER
DEU	BESTELLUNG
FRA	COMMANDE
ITA	ORDINE
ESP	PEDIDO
POR	PEDIDO

**4000**    **50**  
 daN                      mm

**CM 4000 050 V1**



	$S_{max} < 100\%$	$V_{max} < 1,6 \text{ m/s}$	<b>Pmin (20°C)</b>	<b>Pmax (20°C)</b>	<b>Tmin</b>	<b>Tmax</b>	
--	-------------------	-----------------------------	--------------------	--------------------	-------------	-------------	--

N <sub>2</sub>	S <sub>max</sub> < 90%	V <sub>max</sub> 1,6 m/s	bar psi	bar psi	°C °F	°C °F	600 CP-
			20 290	150 2175	0 32	80 176	

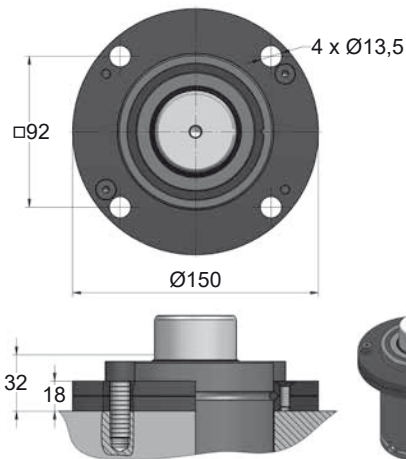


# CM 4000 V1 MOUNTS

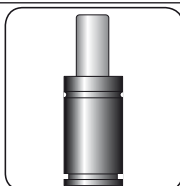
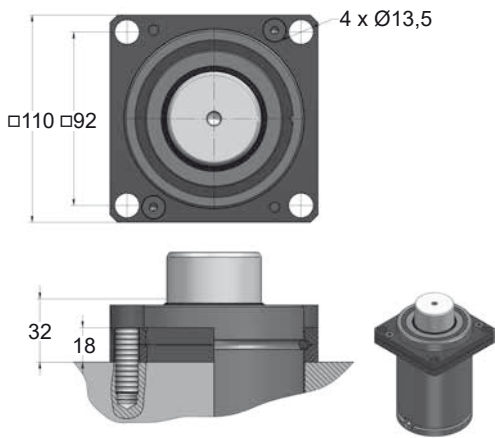
Heavy Duty

s mm Ø mm L1 mm	50 Ø95 L1=158 L1=162	50 Ø95 L1=170 L1=170	50 Ø95 L1=195 L1=205 L1=220	50 Ø95 L1=220	50 Ø95 L1=215	50 Ø95 L1=255		
MODEL	<b>X</b> CW 4200 KZ 4200	<b>X</b>	CK 4000 FD 3000	GN 3000 <b>CM 4000</b> CD 4200	AG 3000	CP 8000	CS 7500	
SERIES	MINI 	COMPACT HEIGHT 	THREADED 	LOW PROFILE 	HEAVY DUTY 	ISO 	HEAVY LOAD 	POWER COMPACT STROKE 

## A14-095

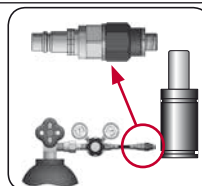
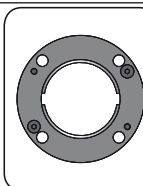


## A34-095



SEAL  
KIT S-XXXXXXX

CARTRIDGE  
KIT C-XXXXXXX



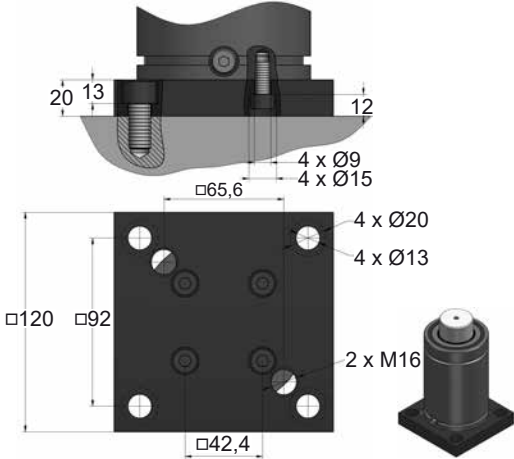
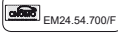
CODE	CM 4000 050 V1	KIT S-XXXXXXX KIT C-XXXXXXX	A14-095	18 CG 1-Q
ENG ORDER	GAS SPRING	REPAIR KIT	FLANGE	CHARGING ADAPTER
DEU BESTELLUNG	GASDRUCKFEDER	ERSATZTEILSATZ	FLANSCHEN	LADEADAPTER
FRA COMMANDE	RESSORT À GAZ	KIT DE RÉPARATION	BRIDE	RACCORD DE CHARGE
ITA ORDINE	CILINDRO AD AZOTO	KIT DI MANUTENZIONE	FLANGE	ADATTATORE DI CARICO
ESP PEDIDO	RESORTE DE GAS	KIT DE REPARACION	BRIDA	ADAPTADOR DE CARGA
POR PEDIDO	CILINDRO DE GÁS	KIT DE MANUTENÇÃO	FLANGE	ADAPTADOR DE CARGA

# CM 4000 V1 MOUNTS

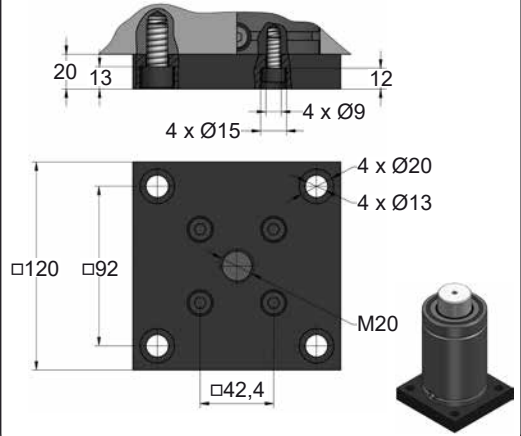


Heavy Duty

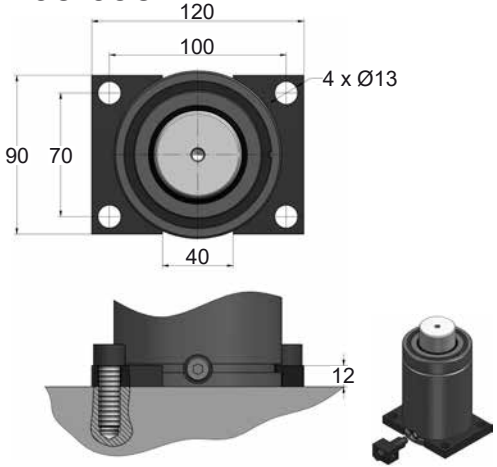
## B21-095



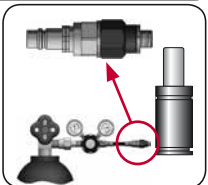
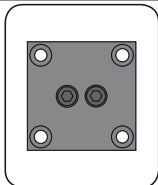
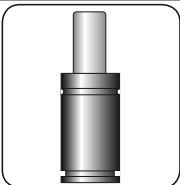
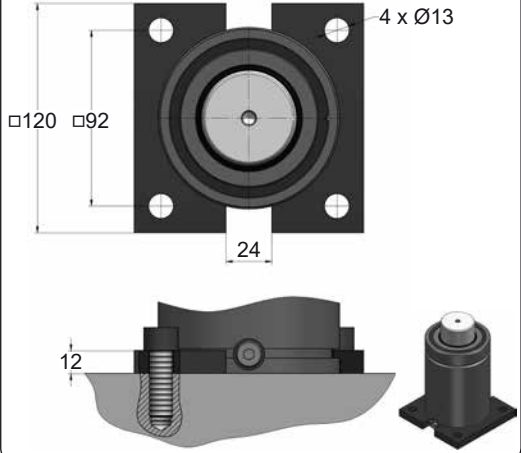
## B76-095



## C05-095



## C20-095



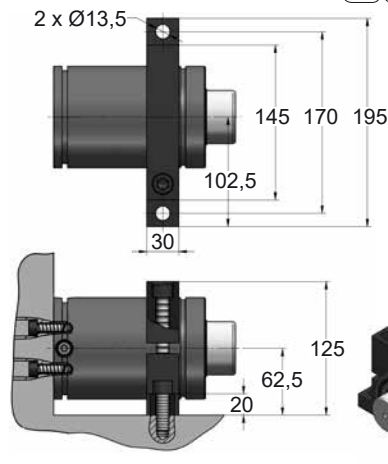
CODE	CM 4000 050 V1	KIT S-XXXXXXX KIT C-XXXXXXX	B21-095	18 CG 1-Q
ENG ORDER	GAS SPRING	REPAIR KIT	FLANGE	CHARGING ADAPTER
DEU BESTELLUNG	GASDRUCKFEDER	ERSATZTEILSATZ	FLANSCHEN	LADEADAPTER
FRA COMMANDE	RESSORT À GAZ	KIT DE RÉPARATION	BRIDE	RACCORD DE CHARGE
ITA ORDINE	CILINDRO AD AZOTO	KIT DI MANUTENZIONE	FLANGE	ADATTATORE DI CARICO
ESP PEDIDO	RESORTE DE GAS	KIT DE REPARACION	BRIDA	ADAPTADOR DE CARGA
POR PEDIDO	CILINDRO DE GÁS	KIT DE MANUTENÇÃO	FLANGE	ADAPTADOR DE CARGA



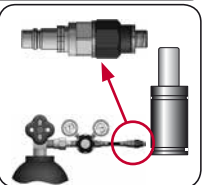
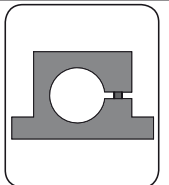
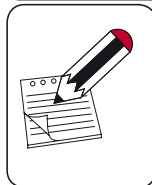
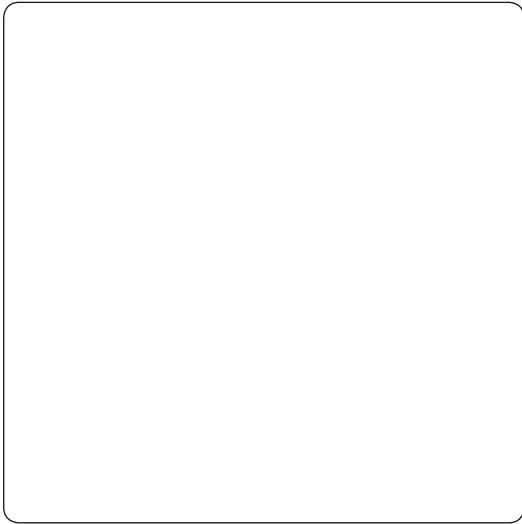
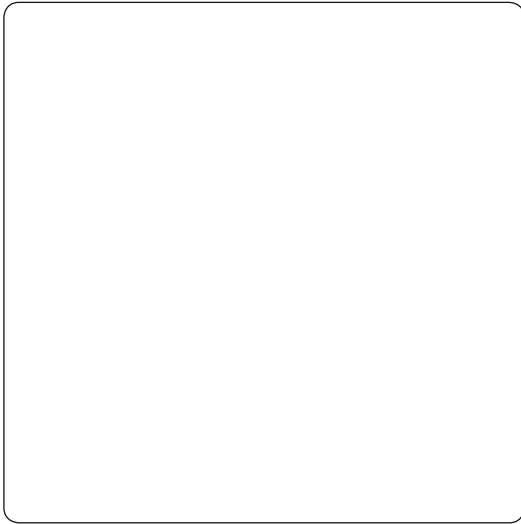
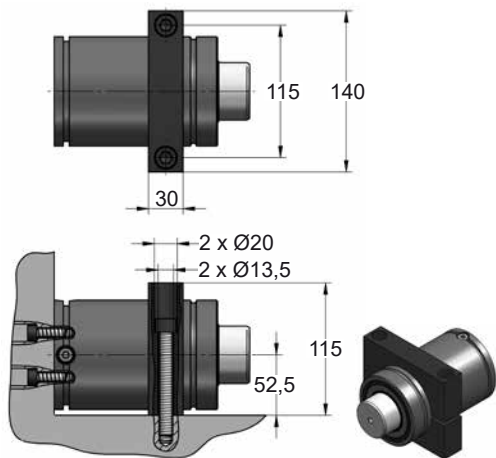
# CM 4000 V1 MOUNTS

Heavy Duty

## D02-095



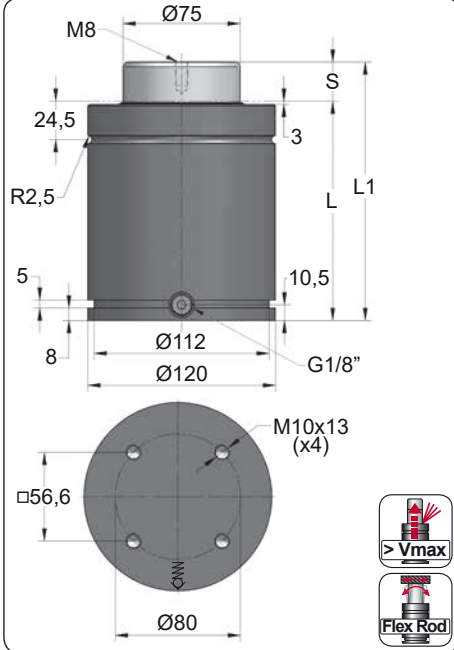
## D67-095



CODE	CM 4000 050 V1	KIT S-XXXXXXX KIT C-XXXXXXX	D02-095	18 CG 1-Q	
ENG	ORDER	GAS SPRING	REPAIR KIT	FLANGE	CHARGING ADAPTER
DEU	BESTELLUNG	GASDRUCKFEDER	ERSATZTEILSATZ	FLANSCHEN	LADEADAPTER
FRA	COMMANDE	RESSORT À GAZ	KIT DE RÉPARATION	BRIDE	RACCORD DE CHARGE
ITA	ORDINE	CILINDRO AD AZOTO	KIT DI MANUTENZIONE	FLANGE	ADATTATORE DI CARICO
ESP	PEDIDO	RESORTE DE GAS	KIT DE REPARACION	BRIDA	ADAPTADOR DE CARGA
POR	PEDIDO	CILINDRO DE GÁS	KIT DE MANUTENÇÃO	FLANGE	ADAPTADOR DE CARGA

# CM 6500 V1

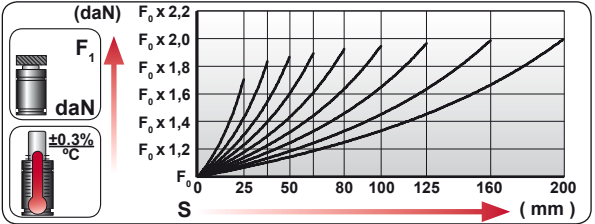
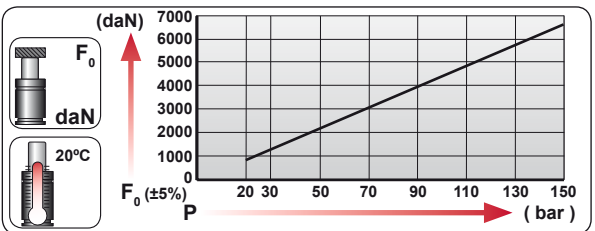
Heavy Duty



ORDER	S (mm)	L1 ±0,25 (mm)	L (mm)	Kg.
CM 6500 025 V1	25	165	140	9.26
CM 6500 038 V1	38	191	153	9.86
CM 6500 050 V1	50	215	165	10.42
CM 6500 063 V1	63	241	178	11.02
CM 6500 080 V1	80	275	195	11.81
CM 6500 100 V1	100	315	215	12.74
CM 6500 125 V1	125	375	250	14.17
CM 6500 160 V1	160	450	290	15.93
CM 6500 200 V1	200	540	340	18.05



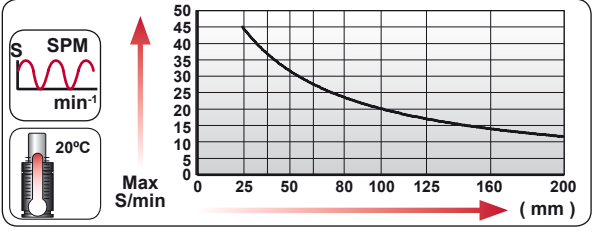
CODE	Pressure Gauge	bar	psi	F <sub>0</sub> daN	F <sub>1</sub> daN
CM 6500 050 V1		145	2105	6405	11950
CM-H 6500 050 V1		0	0	---	---



ENG ORDER  
 DEU BESTELLUNG  
 FRA COMMANDE  
 ITA ORDINE  
 ESP PEDIDO  
 POR PEDIDO

F<sub>0</sub> daN  
 S mm

**CM 6500 50**  
**CM 6500 050 V1**



N<sub>2</sub>
 S<sub>max</sub> < 90%
 V<sub>max</sub> 1,6 m/s
 P<sub>min</sub> (20°C) P<sub>max</sub> (20°C)
 T<sub>min</sub> T<sub>max</sub>
 600 CP-

N <sub>2</sub>	S <sub>max</sub> < 90%	V <sub>max</sub> 1,6 m/s	bar psi	bar psi	°C °F	°C °F	600 CP-
			20 290	150 2175	0 32	80 176	

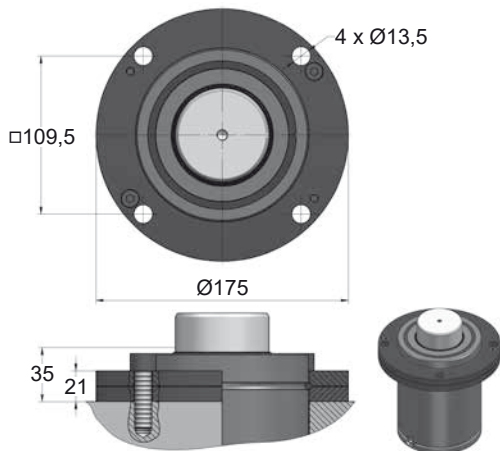


# CM 6500 V1 MOUNTS

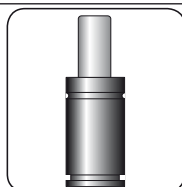
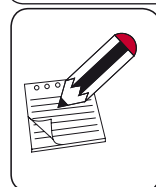
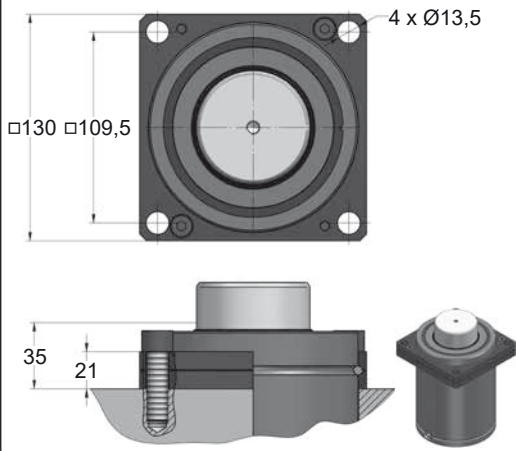
Heavy Duty

<b>MODEL</b>	<b>X</b>	CW 6600 KZ 6600	<b>X</b>	FD 5000	GN 5000 CM 6500 CD 6600	AG 5000	<b>X</b>	CS 11800
<b>SERIES</b>	MINI	COMPACT HEIGHT	THREADED	LOW PROFILE	HEAVY DUTY	ISO	HEAVY LOAD	POWER COMPACT STROKE

## A14-120



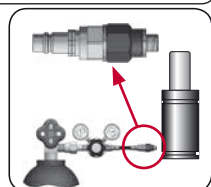
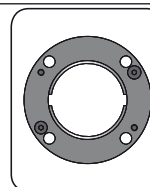
## A34-120



**SEAL KIT S-XXXXXXX**

750  
2150252  
7/23CE art.3  
XXXXXXXXXX  
Made in Spain (2175)  
www.azolgas.com

**CARTRIDGE KIT C-XXXXXXX**




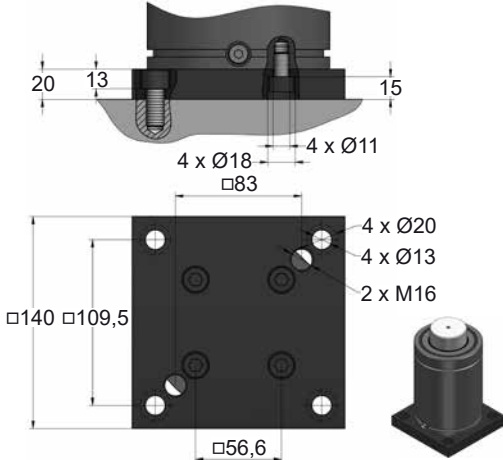
<b>CODE</b>	<b>CM 6500 050 V1</b>	<b>KIT S-XXXXXXX</b> <b>KIT C-XXXXXXX</b>	<b>A14-120</b>	<b>18 CG 1-Q</b>
ENG ORDER	GAS SPRING	REPAIR KIT	FLANGE	CHARGING ADAPTER
DEU BESTELLUNG	GASDRUCKFEDER	ERSATZTEILSATZ	FLANSCHEN	LADEADAPTER
FRA COMMANDE	RESSORT À GAZ	KIT DE RÉPARATION	BRIDE	RACCORD DE CHARGE
ITA ORDINE	CILINDRO AD AZOTO	KIT DI MANUTENZIONE	FLANGE	ADATTATORE DI CARICO
ESP PEDIDO	RESORTE DE GAS	KIT DE REPARACION	BRIDA	ADAPTADOR DE CARGA
POR PEDIDO	CILINDRO DE GÁS	KIT DE MANUTENÇÃO	FLANGE	ADAPTADOR DE CARGA

# CM 6500 V1 MOUNTS

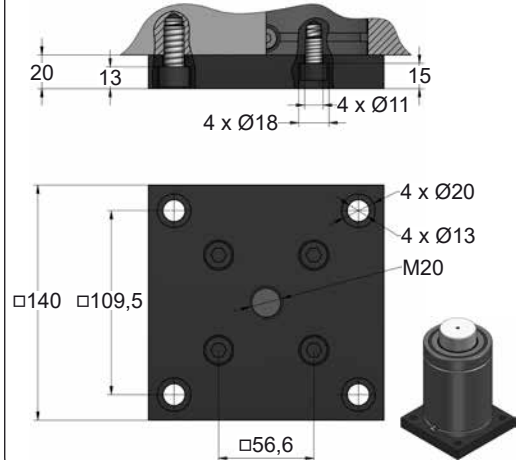
Heavy Duty

**AZOL**  
**GAS**

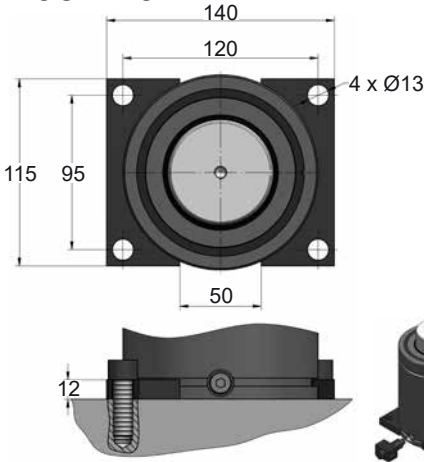
## B21-120

 EM24.54.700/F


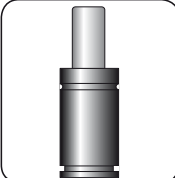
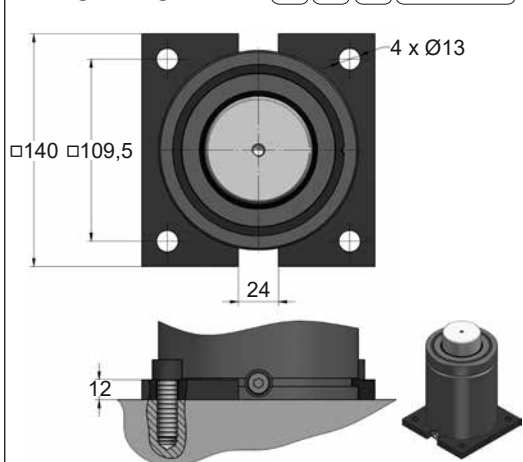
## B76-120

   EM24.54.700/F


## C05-120

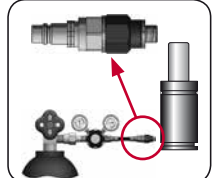
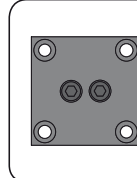


## C20-120

    E24.54.815.G  
EM24.54.700/F


SEAL  
KIT S-XXXXXXX

CARTRIDGE  
KIT C-XXXXXXX



CODE	CM 6500 050 V1	KIT S-XXXXXXX KIT C-XXXXXXX	B21-120	18 CG 1-Q
ENG	ORDER	GAS SPRING	FLANGE	CHARGING ADAPTER
DEU	BESTELLUNG	GASDRUCKFEDER	FLANSCH	LADEADAPTER
FRA	COMMANDE	RESSORT À GAZ	BRIDE	RACCORD DE CHARGE
ITA	ORDINE	CILINDRO AD AZOTO	FLANGE	ADATTATORE DI CARICO
ESP	PEDIDO	RESORTE DE GAS	BRIDA	ADAPTADOR DE CARGA
POR	PEDIDO	CILINDRO DE GÁS	FLANGE	ADAPTADOR DE CARGA



# CM 6500 V1 MOUNTS

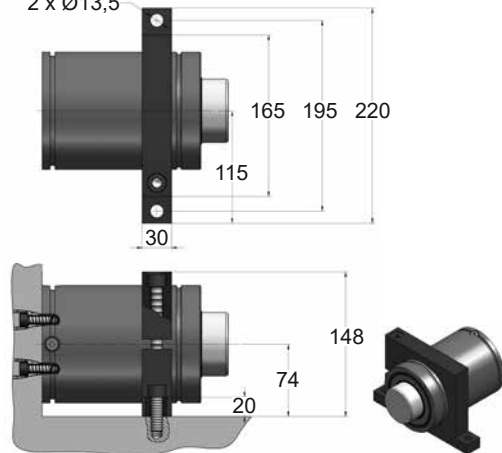
Heavy Duty

## D02-120

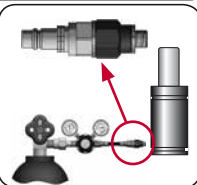
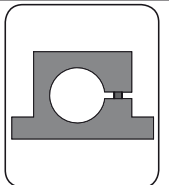
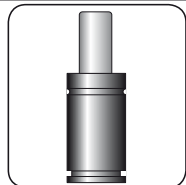
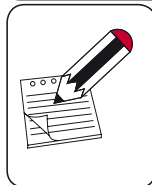
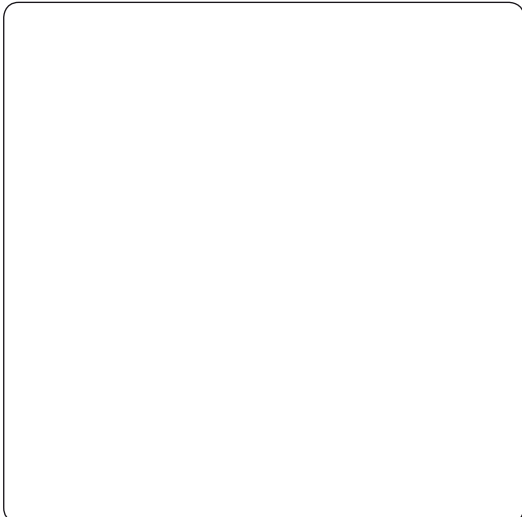
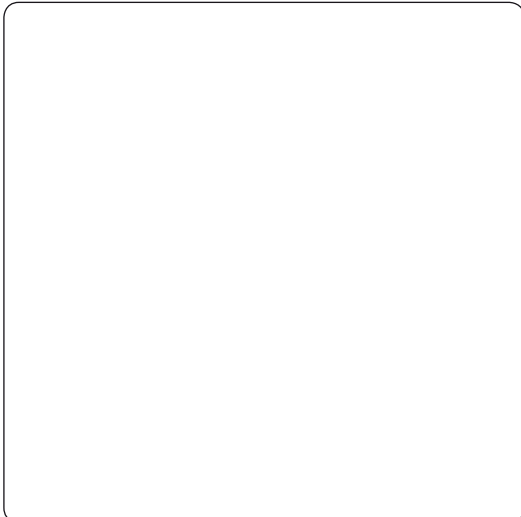
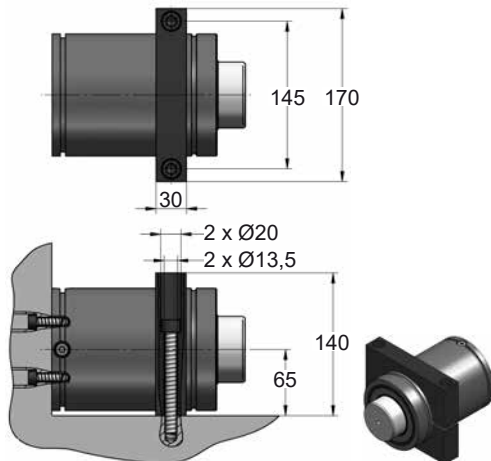
2 x Ø13,5



E24.54.815.G  
EM24.54.700F



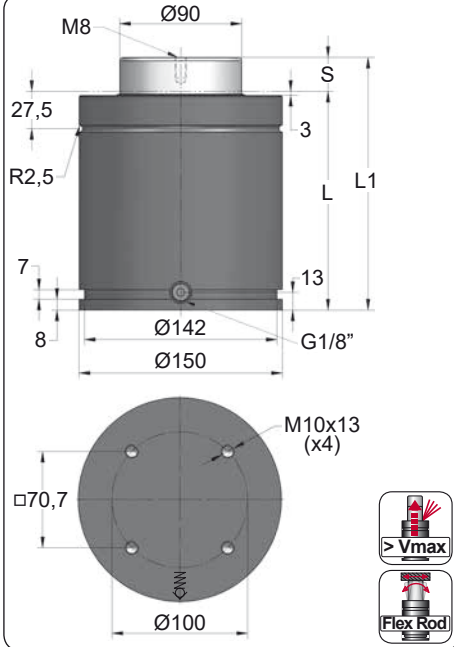
## D67-120



CODE	CM 6500 050 V1	KIT S-XXXXXXX KIT C-XXXXXXX	D02-120	18 CG 1-Q
ENG	ORDER	GAS SPRING	FLANGE	CHARGING ADAPTER
DEU	BESTELLUNG	GASDRUCKFEDER	FLANSCHEN	LADEADAPTER
FRA	COMMANDE	RESSORT À GAZ	BRIDE	RACCORD DE CHARGE
ITA	ORDINE	CILINDRO AD AZOTO	FLANGE	ADATTATORE DI CARICO
ESP	PEDIDO	RESORTE DE GAS	BRIDA	ADAPTADOR DE CARGA
POR	PEDIDO	CILINDRO DE GÁS	FLANGE	ADAPTADOR DE CARGA

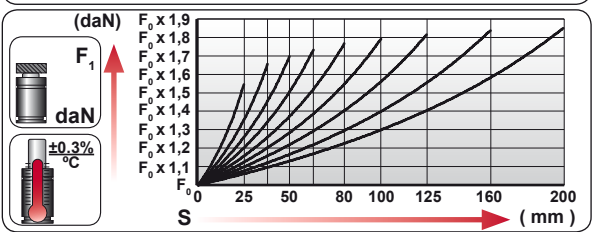
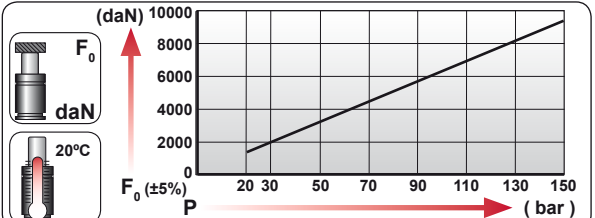
# CM 10000

Heavy Duty



ORDER	S (mm)	L1 ±0,25 (mm)	L (mm)	Kg.
CM 10000 025	25	186	161	16.39
CM 10000 038	38	212	174	17.25
CM 10000 050	50	236	186	18.04
CM 10000 063	63	262	199	18.91
CM 10000 080	80	296	216	20.03
CM 10000 100	100	336	236	21.36
CM 10000 125	125	386	261	23.02
CM 10000 160	160	456	296	25.34
CM 10000 200	200	536	336	27.99

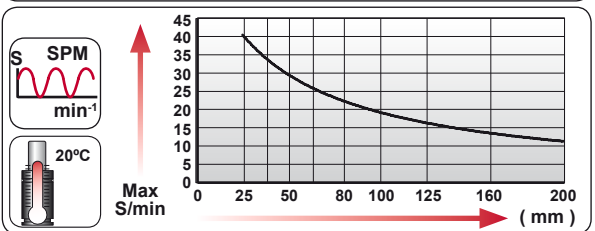
CODE	Pressure Gauge	bar	psi	F <sub>0</sub> daN	F <sub>1</sub> daN
CM 10000 050		150	2175	9540	16200
CM-H 10000 050		0	0	---	---



ENG ORDER  
 DEU BESTELLUNG  
 FRA COMMANDE  
 ITA ORDINE  
 ESP PEDIDO  
 POR PEDIDO

F<sub>0</sub> daN  
 S mm

**CM 10000 50**  
**CM 10000 050**



S<sub>max</sub> < 90%

V<sub>max</sub> 1,6 m/s

P<sub>min</sub> (20°C) / P<sub>max</sub> (20°C)

T<sub>min</sub> / T<sub>max</sub>

600 CP-

N <sub>2</sub>	S <sub>max</sub> < 90%	V <sub>max</sub> 1,6 m/s	bar psi	bar psi	°C °F	°C °F	600 CP-
			20 290	160 2320	0 32	80 176	



# CM 10000 MOUNTS

Heavy Duty

	Ø150			Ø150	Ø150		Ø150	
	L1=178			L1=205	L1=255		L1=270	
	L1=178			L1=236				
				L1=255				
MODEL	<b>X</b>	CW 9500 CW 11800	<b>X</b>	<b>X</b>	GN 7500 CM 10000 CD 9600	AG 7500	<b>X</b>	CS 18300
SERIES	MINI	COMPACT HEIGHT	THREADED	LOW PROFILE	HEAVY DUTY	ISO	HEAVY LOAD	POWER COMPACT STROKE

## A14-150

ISO VARIANTE EM24.54.815.G EM24.54.700IF

4 x Ø17,5

□138

Ø220

41 27

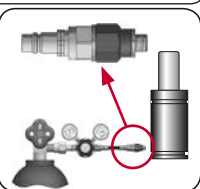
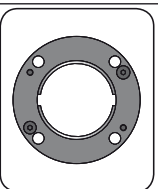
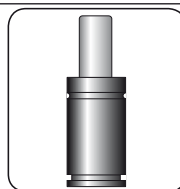
## A34-150

ISO VDI

4 x Ø17,5

□162 □138

41 27



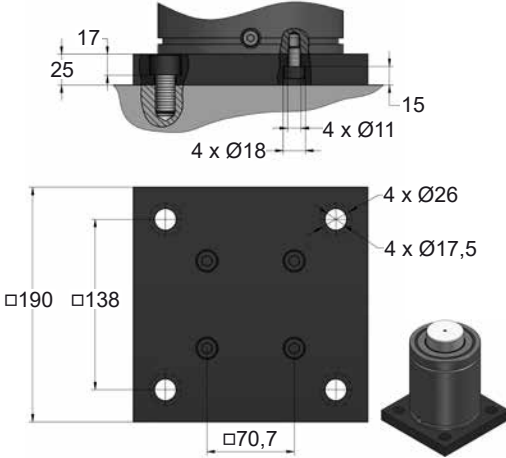
CODE	CM 10000 050	KIT S-XXXXXXX KIT C-XXXXXXX	A14-150	18 CG 1-Q
ENG ORDER	GAS SPRING	REPAIR KIT	FLANGE	CHARGING ADAPTER
DEU BESTELLUNG	GASDRUCKFEDER	ERSATZTEILSATZ	FLANSCHEN	LADEADAPTER
FRA COMMANDE	RESSORT À GAZ	KIT DE RÉPARATION	BRIDE	RACCORD DE CHARGE
ITA ORDINE	CILINDRO AD AZOTO	KIT DI MANUTENZIONE	FLANGE	ADATTATORE DI CARICO
ESP PEDIDO	RESORTE DE GAS	KIT DE REPARACION	BRIDA	ADAPTADOR DE CARGA
POR PEDIDO	CILINDRO DE GÁS	KIT DE MANUTENÇÃO	FLANGE	ADAPTADOR DE CARGA

# CM 10000 MOUNTS

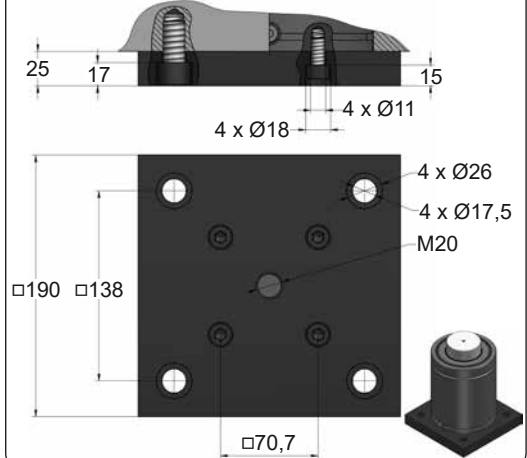
Heavy Duty



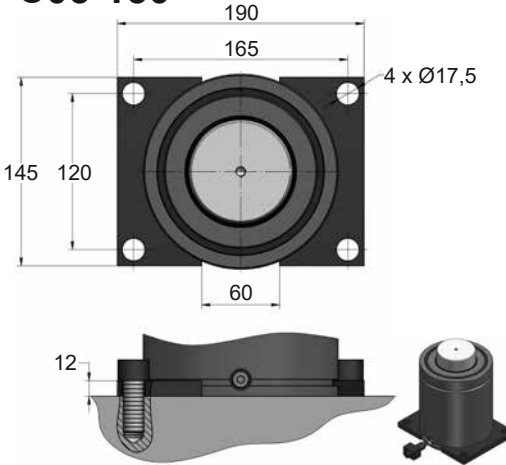
## B21-150



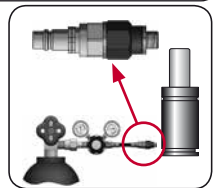
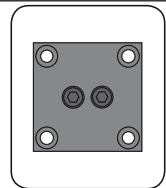
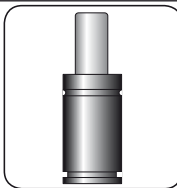
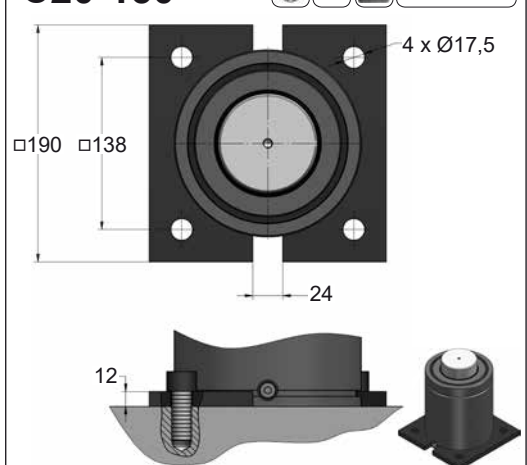
## B76-150



## C05-150



## C20-150

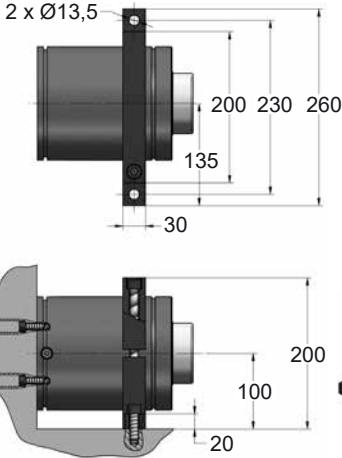


CODE	CM 10000 050	KIT S-XXXXXXX KIT C-XXXXXXX	B21-150	18 CG 1-Q	
ENG	ORDER	GAS SPRING	REPAIR KIT	FLANGE	CHARGING ADAPTER
DEU	BESTELLUNG	GASDRUCKFEDER	ERSATZTEILSATZ	FLANSCH	LADEADAPTER
FRA	COMMANDE	RESSORT À GAZ	KIT DE RÉPARATION	BRIDE	RACCORD DE CHARGE
ITA	ORDINE	CILINDRO AD AZOTO	KIT DI MANUTENZIONE	FLANGE	ADATTATORE DI CARICO
ESP	PEDIDO	RESORTE DE GAS	KIT DE REPARACION	BRIDA	ADAPTADOR DE CARGA
POR	PEDIDO	CILINDRO DE GÁS	KIT DE MANUTENÇÃO	FLANGE	ADAPTADOR DE CARGA

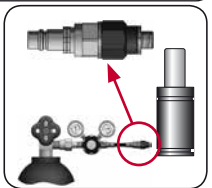
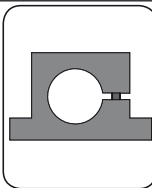
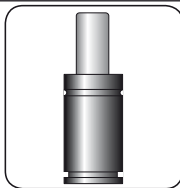
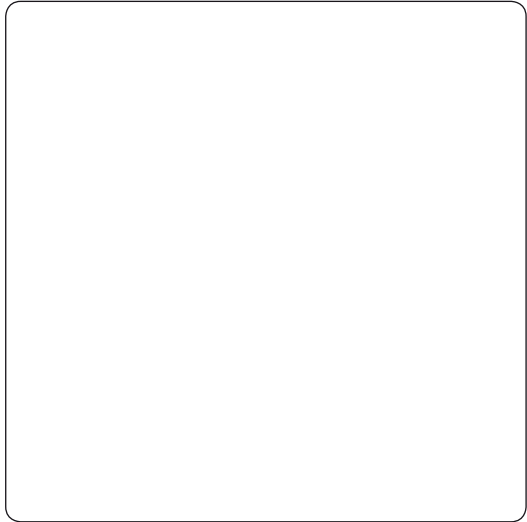
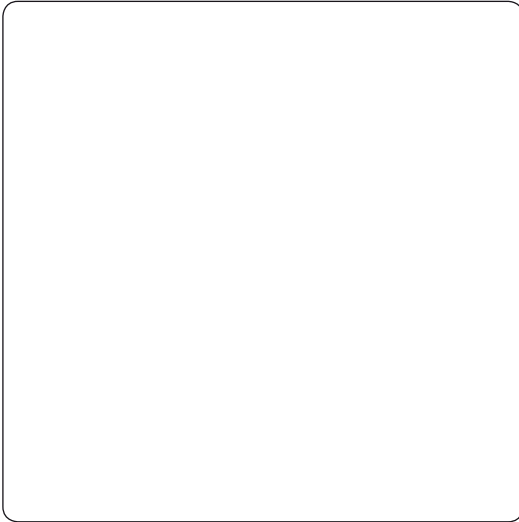
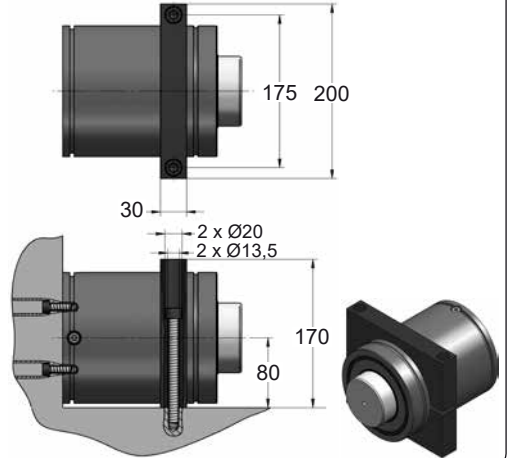
# CM 10000 MOUNTS

Heavy Duty

## D02-150



## D67-150



CODE	CM 10000 050	KIT S-XXXXXXX KIT C-XXXXXXX	D02-150	18 CG 1-Q
ENG ORDER	GAS SPRING	REPAIR KIT	FLANGE	CHARGING ADAPTER
DEU BESTELLUNG	GASDRUCKFEDER	ERSATZTEILSATZ	FLANSCHEN	LADEADAPTER
FRA COMMANDE	RESSORT À GAZ	KIT DE RÉPARATION	BRIDE	RACCORD DE CHARGE
ITA ORDINE	CILINDRO AD AZOTO	KIT DI MANUTENZIONE	FLANGE	ADATTATORE DI CARICO
ESP PEDIDO	RESORTE DE GAS	KIT DE REPARACION	BRIDA	ADAPTADOR DE CARGA
POR PEDIDO	CILINDRO DE GÁS	KIT DE MANUTENÇÃO	FLANGE	ADAPTADOR DE CARGA

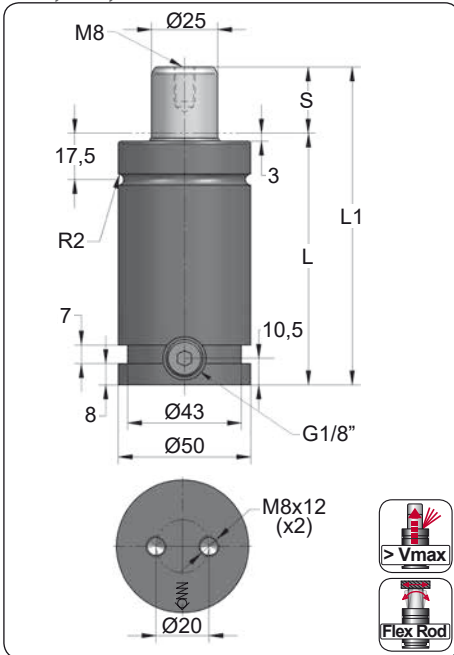




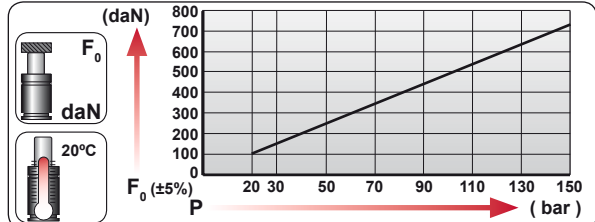
# GN 750

Heavy Duty

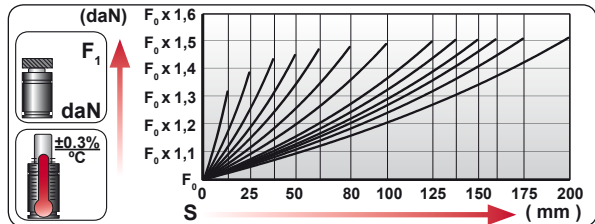


ORDER	S (mm)	L1 ±0,25 (mm)	L (mm)	Kg.
GN 750 012	12.5	95	82.5	0.98
GN 750 025	25	120	95	1.08
GN 750 037	37.5	145	107.5	1.18
GN 750 050	50	170	120	1.29
GN 750 062	62.5	195	132.5	1.39
GN 750 080	80	230	150	1.53
GN 750 100	100	270	170	1.70
GN 750 125	125	320	195	1.90
GN 750 137	137.5	345	207.5	2.00
GN 750 150	150	370	220	2.11
GN 750 160	160	390	230	2.19
GN 750 175	175	420	245	2.31
GN 750 200	200	470	270	2.52



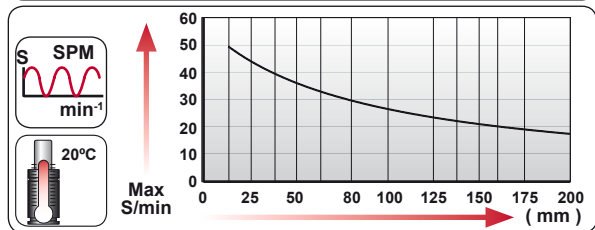
CODE	Pressure (bar)	Pressure (psi)	F <sub>0</sub> (daN)	F <sub>1</sub> (daN)
GN 750 050	150	2175	740	1030
GN-H 750 050	0	0	---	---



	ENG ORDER		
	DEU BESTELLUNG		
	FRA COMMANDE		
	ITA ORDINE		
	ESP PEDIDO		
POR PEDIDO			

GN 750 50



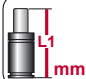



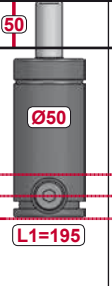
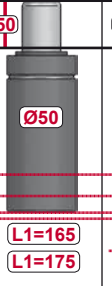

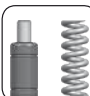

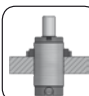





GN 750 050



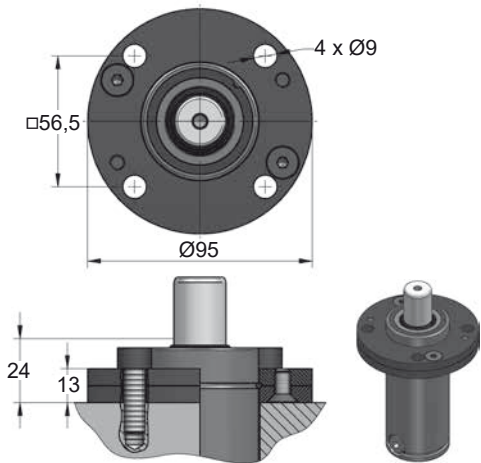
--	--	--	--	--	--	--	--

N <sub>2</sub>	Smax < 90%	Vmax 1,6 m/s	bar psi	bar psi	°C °F	°C °F	600 CP-
			20 290	150 2175	0 32	80 176	

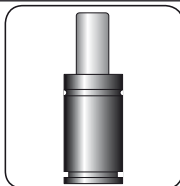
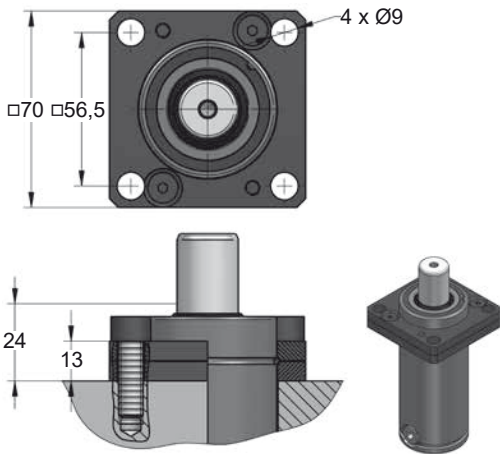


								
			L1=138 L1=152	L1=138 L1=150 L1=150	L1=170 L1=185 L1=195	L1=195	L1=165 L1=175	L1=220
MODEL	<b>X</b>	CW 1000 KZ 1000	<b>X</b>	CT 1000 CK 1000 FD 750	<b>GN 750</b> CM 1000 CD 1000	AG 750	CPH 1700 CP 2000	CS 1800
SERIES	MINI	COMPACT HEIGHT	THREADED	LOW PROFILE	HEAVY DUTY	ISO	HEAVY LOAD	POWER COMPACT STROKE
								

## A14-050

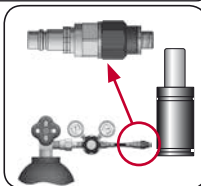
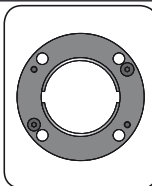


## A34-050



SEAL  
KIT S-XXXXXXX

CARTRIDGE  
KIT C-XXXXXXX




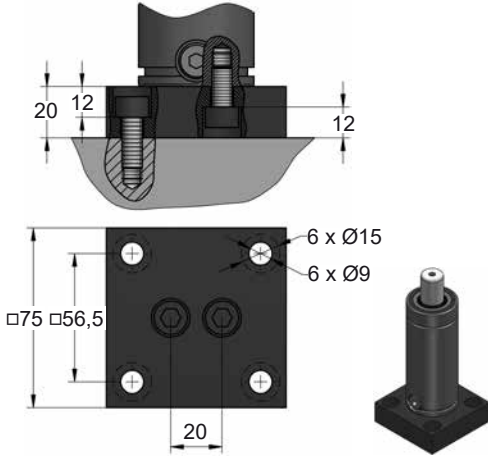
CODE	<b>GN 750 050</b>	<b>KIT S-XXXXXXX</b> <b>KIT C-XXXXXXX</b>	<b>A14-050</b>	<b>18 CG 1-Q</b>
ENG ORDER	GAS SPRING	REPAIR KIT	FLANGE	CHARGING ADAPTER
DEU BESTELLUNG	GASDRUCKFEDER	ERSATZTEILSATZ	FLANSCHEN	LADEADAPTER
FRA COMMANDE	RESSORT À GAZ	KIT DE RÉPARATION	BRIDE	RACCORD DE CHARGE
ITA ORDINE	CILINDRO AD AZOTO	KIT DI MANUTENZIONE	FLANGE	ADATTATORE DI CARICO
ESP PEDIDO	RESORTE DE GAS	KIT DE REPARACION	BRIDA	ADAPTADOR DE CARGA
POR PEDIDO	CILINDRO DE GÁS	KIT DE MANUTENÇÃO	FLANGE	ADAPTADOR DE CARGA

# GN 750 MOUNTS

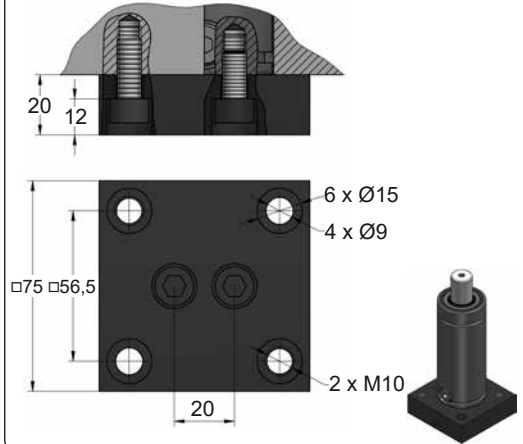
Heavy Duty

**AZOL**  
**GAS**

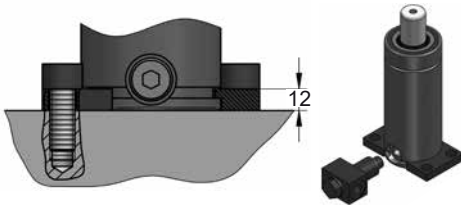
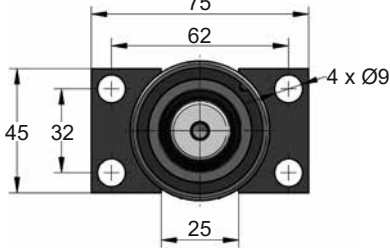
## B21-050

 EM24.54.700/F


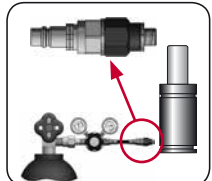
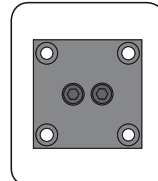
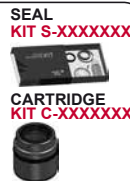
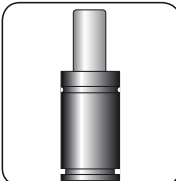
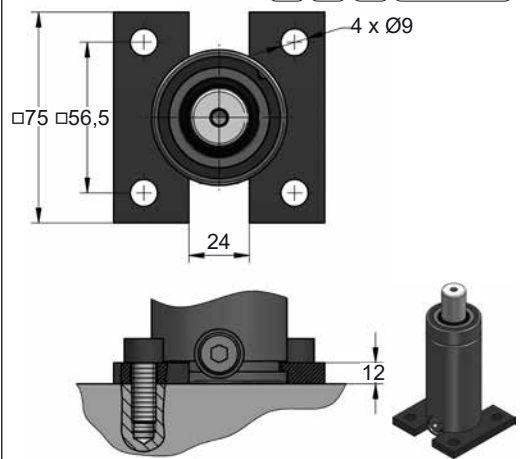
## B76-050

   E24.54.815.G  
EM24.54.700/F


## C05-050



## C20-050

    E24.54.815.G  
EM24.54.700/F


CODE	GN 750 050	KIT S-XXXXXXX KIT C-XXXXXXX	B21-050	18 CG 1-Q
ENG ORDER	GAS SPRING	REPAIR KIT	FLANGE	CHARGING ADAPTER
DEU BESTELLUNG	GASDRUCKFEDER	ERSATZTEILSATZ	FLANSCHEN	LADEADAPTER
FRA COMMANDE	RESSORT À GAZ	KIT DE RÉPARATION	BRIDE	RACCORD DE CHARGE
ITA ORDINE	CILINDRO AD AZOTO	KIT DI MANUTENZIONE	FLANGE	ADATTATORE DI CARICO
ESP PEDIDO	RESORTE DE GAS	KIT DE REPARACION	BRIDA	ADAPTADOR DE CARGA
POR PEDIDO	CILINDRO DE GÁS	KIT DE MANUTENÇÃO	FLANGE	ADAPTADOR DE CARGA



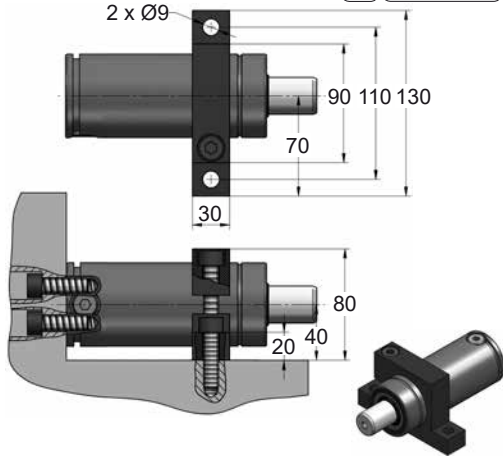
# GN 750 MOUNTS

Heavy Duty

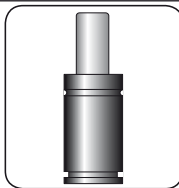
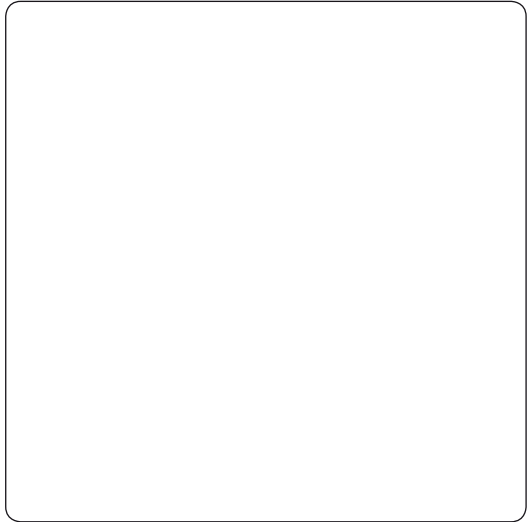
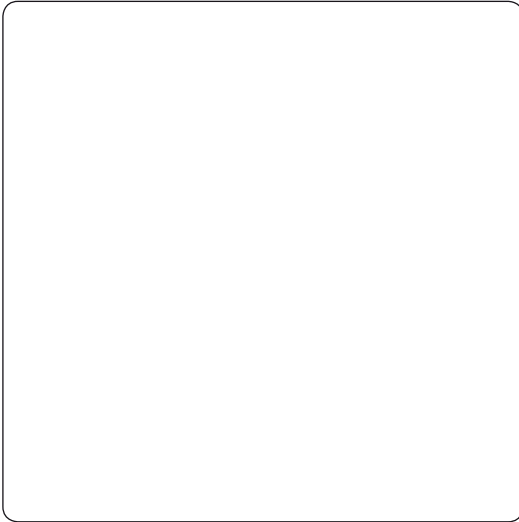
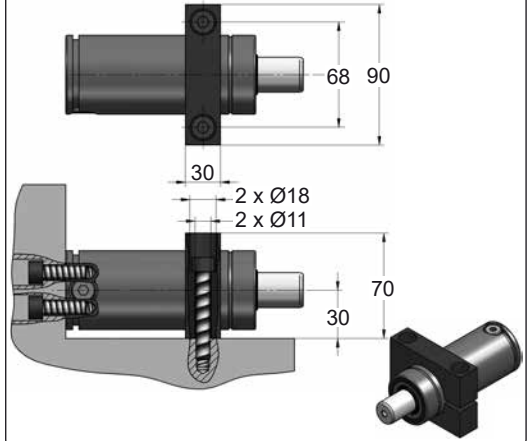
## D02-050



E24.54.815.G  
EM24.54.700/F



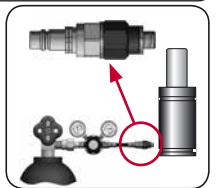
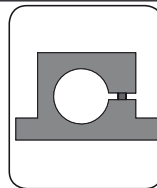
## D67-050



SEAL  
KIT S-XXXXXXX



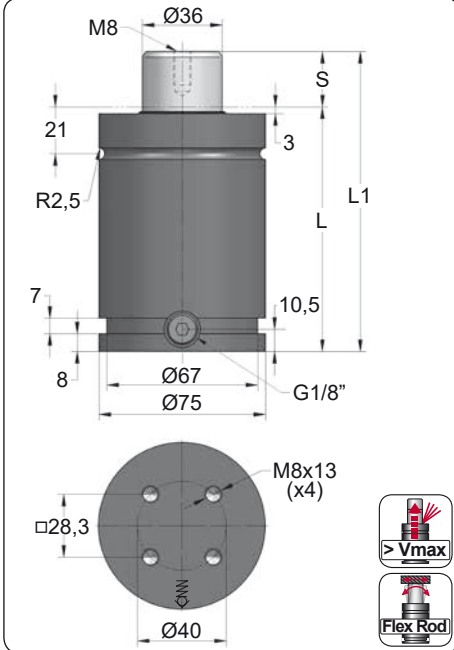
CARTRIDGE  
KIT C-XXXXXXX



CODE	GN 750 050	KIT S-XXXXXXX KIT C-XXXXXXX	D02-050	18 CG 1-Q
ENG ORDER	GAS SPRING	REPAIR KIT	FLANGE	CHARGING ADAPTER
DEU BESTELLUNG	GASDRUCKFEDER	ERSATZTEILSATZ	FLANSCHEN	LADEADAPTER
FRA COMMANDE	RESSORT À GAZ	KIT DE RÉPARATION	BRIDE	RACCORD DE CHARGE
ITA ORDINE	CILINDRO AD AZOTO	KIT DI MANUTENZIONE	FLANGE	ADATTATORE DI CARICO
ESP PEDIDO	RESORTE DE GAS	KIT DE REPARACION	BRIDA	ADAPTADOR DE CARGA
POR PEDIDO	CILINDRO DE GÁS	KIT DE MANUTENÇÃO	FLANGE	ADAPTADOR DE CARGA

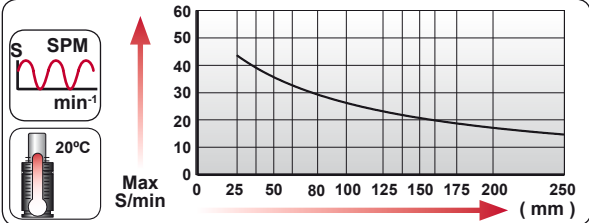
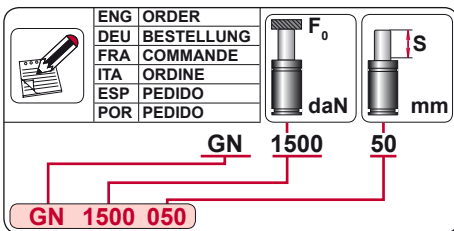
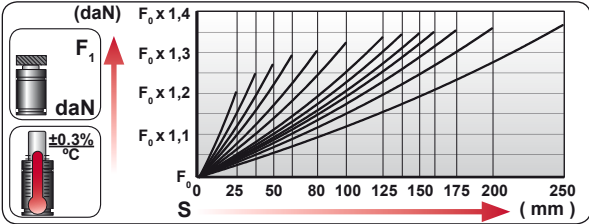
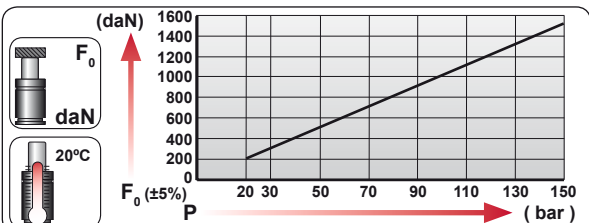
# GN 1500

Heavy Duty



ORDER	S (mm)	L1 ±0,25 (mm)	L (mm)	Kg.
GN 1500 025	25	135	110	2.75
GN 1500 037	37.5	160	122.5	2.93
GN 1500 050	50	185	135	3.12
GN 1500 062	62.5	210	147.5	3.30
GN 1500 080	80	245	165	3.55
GN 1500 100	100	285	185	3.85
GN 1500 125	125	335	210	4.21
GN 1500 137	137.5	360	222.5	4.40
GN 1500 150	150	385	235	4.58
GN 1500 160	160	405	245	4.73
GN 1500 175	175	435	260	4.95
GN 1500 200	200	485	285	5.31
GN 1500 250	250	585	335	6.05

CODE	Pressure Gauge	bar	psi	F <sub>0</sub> daN	F <sub>1</sub> daN
GN 1500 050		150	2175	1530	1920
GN-H 1500 050		0	0	---	---



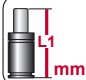


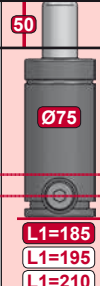
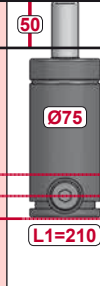
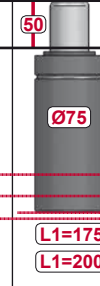
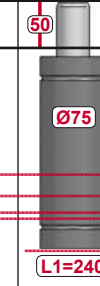


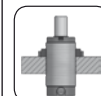


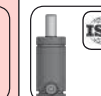




N <sub>2</sub>	Smax < 90%	Vmax 1,6 m/s	bar psi 20 290	bar psi 150 2175	°C °F 0 32	°C °F 80 176	600 CP-
----------------	------------	--------------	-------------------	---------------------	---------------	-----------------	---------

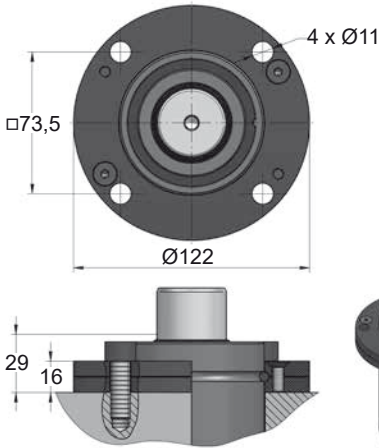


# GN 1500 MOUNTS

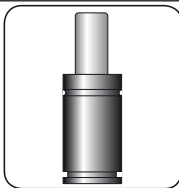
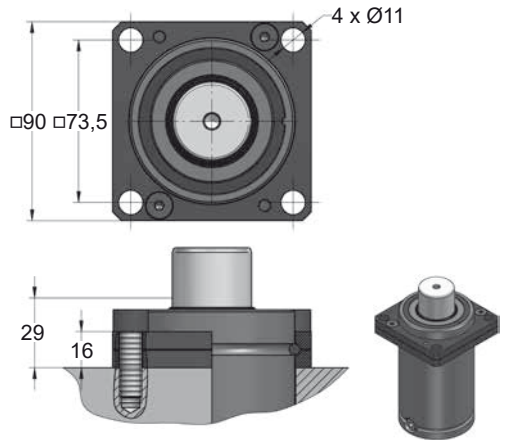
Heavy Duty

								
MODEL	<b>X</b>	CW 2400 KZ 2400	<b>X</b>	CT 2500 CK 2500 FD 1500	<b>GN 1500</b> CM 2500 CD 2400	AG 1500	CPH 4300 CP 5000	CS 4700
SERIES	MINI	COMPACT HEIGHT	THREADED	LOW PROFILE	HEAVY DUTY	ISO	HEAVY LOAD	POWER COMPACT STROKE
								

## A14-075

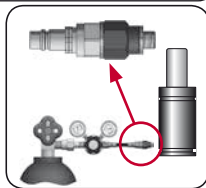
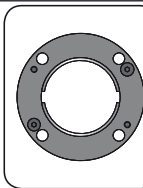


## A34-075



SEAL  
KIT S-XXXXXXX

CARTRIDGE  
KIT C-XXXXXXX




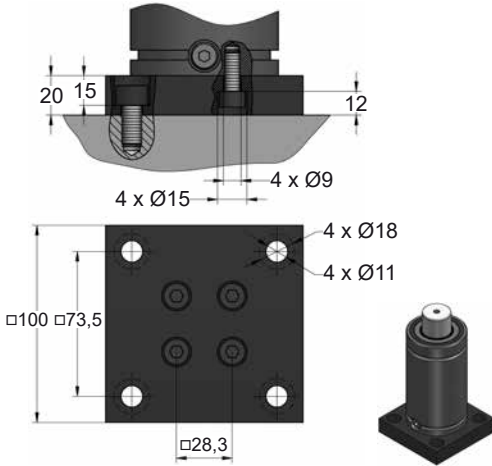
CODE	<b>GN 1500 050</b>	<b>KIT S-XXXXXXX</b> <b>KIT C-XXXXXXX</b>	<b>A14-075</b>	<b>18 CG 1-Q</b>
ENG ORDER	GAS SPRING	REPAIR KIT	FLANGE	CHARGING ADAPTER
DEU BESTELLUNG	GASDRUCKFEDER	ERSATZTEILSATZ	FLANSCHEN	LADEADAPTER
FRA COMMANDE	RESSORT À GAZ	KIT DE RÉPARATION	BRIDE	RACCORD DE CHARGE
ITA ORDINE	CILINDRO AD AZOTO	KIT DI MANUTENZIONE	FLANGE	ADATTATORE DI CARICO
ESP PEDIDO	RESORTE DE GAS	KIT DE REPARACION	BRIDA	ADAPTADOR DE CARGA
POR PEDIDO	CILINDRO DE GÁS	KIT DE MANUTENÇÃO	FLANGE	ADAPTADOR DE CARGA

# GN 1500 MOUNTS

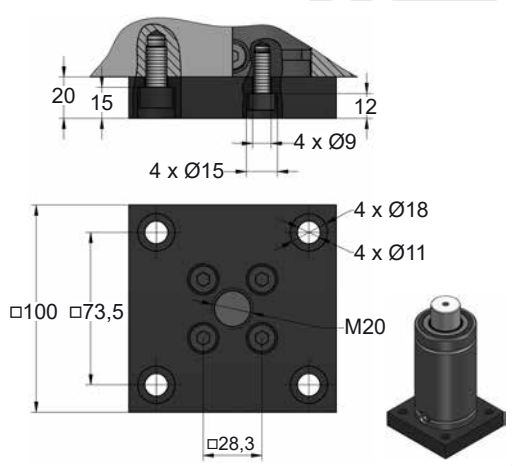
Heavy Duty

**AZOL**  
**GAS**

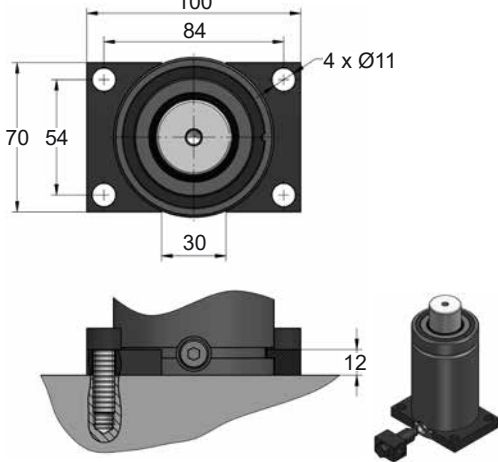
## B21-075

 EM24.54.700/F


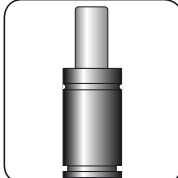
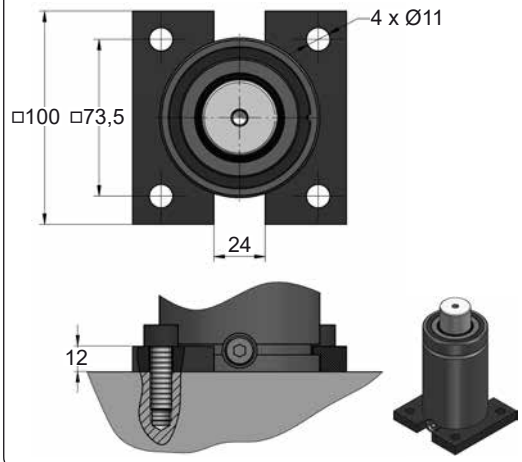
## B76-075

   E24.54.815.G  
EM24.54.700/F


## C05-075

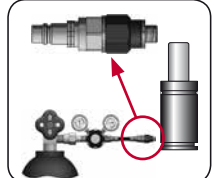
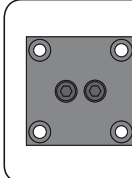


## C20-075

    E24.54.815.G  
EM24.54.700/F


**SEAL**  
**KIT S-XXXXXXX**

**CARTRIDGE**  
**KIT C-XXXXXXX**



CODE	GN 1500 050	KIT S-XXXXXXX KIT C-XXXXXXX	B21-075	18 CG 1-Q
ENG ORDER	GAS SPRING	REPAIR KIT	FLANGE	CHARGING ADAPTER
DEU BESTELLUNG	GASDRUCKFEDER	ERSATZTEILSATZ	FLANSCHEN	LADEADAPTER
FRA COMMANDE	RESSORT À GAZ	KIT DE RÉPARATION	BRIDE	RACCORD DE CHARGE
ITA ORDINE	CILINDRO AD AZOTO	KIT DI MANUTENZIONE	FLANGE	ADATTATORE DI CARICO
ESP PEDIDO	RESORTE DE GAS	KIT DE REPARACION	BRIDA	ADAPTADOR DE CARGA
POR PEDIDO	CILINDRO DE GÁS	KIT DE MANUTENÇÃO	FLANGE	ADAPTADOR DE CARGA



# GN 1500 MOUNTS

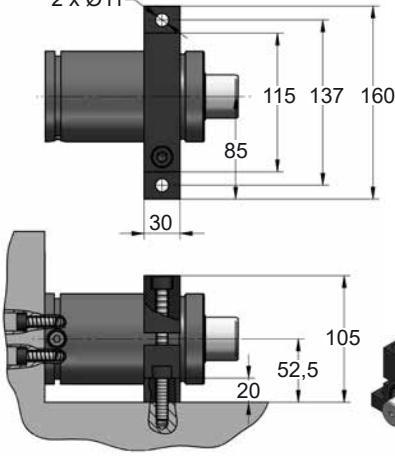
Heavy Duty

## D02-075

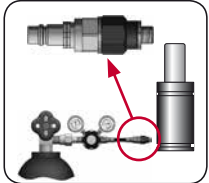
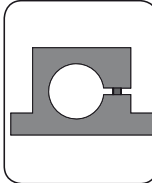
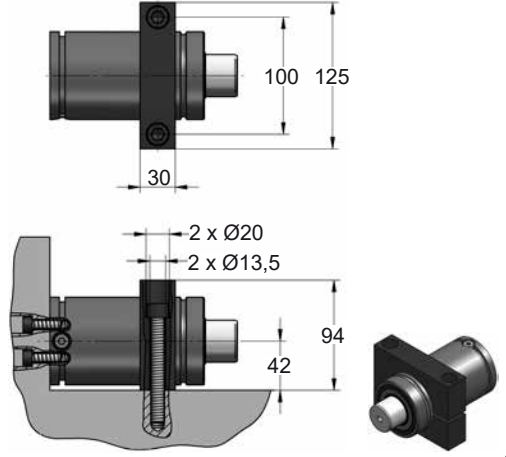
2 x Ø11



E24.54.815.G  
EM24.54.700F



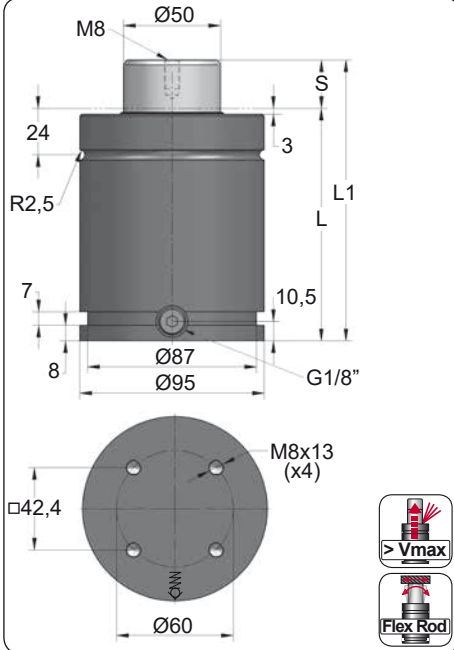
## D67-075



CODE	GN 1500 050	KIT S-XXXXXXX KIT C-XXXXXXX	D02-075	18 CG 1-Q
ENG ORDER	GAS SPRING	REPAIR KIT	FLANGE	CHARGING ADAPTER
DEU BESTELLUNG	GASDRUCKFEDER	ERSATZTEILSATZ	FLANSCHEN	LADEADAPTER
FRA COMMANDE	RESSORT À GAZ	KIT DE RÉPARATION	BRIDE	RACCORD DE CHARGE
ITA ORDINE	CILINDRO AD AZOTO	KIT DI MANUTENZIONE	FLANGE	ADATTATORE DI CARICO
ESP PEDIDO	RESORTE DE GAS	KIT DE REPARACION	BRIDA	ADAPTADOR DE CARGA
POR PEDIDO	CILINDRO DE GÁS	KIT DE MANUTENÇÃO	FLANGE	ADAPTADOR DE CARGA

# GN 3000

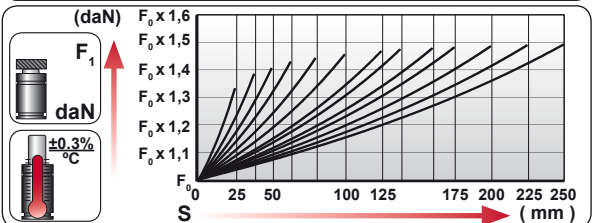
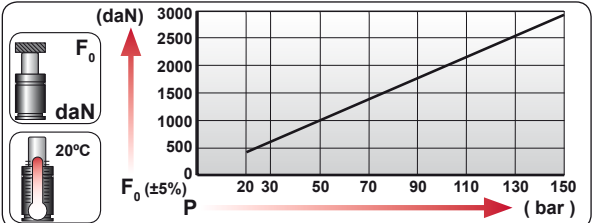
Heavy Duty



ORDER	S (mm)	L1 ±0,25 (mm)	L (mm)	Kg.
GN 3000 025	25	145	120	5.09
GN 3000 037	37.5	170	132.5	5.41
GN 3000 050	50	195	145	5.74
GN 3000 062	62.5	220	157.5	6.06
GN 3000 080	80	255	175	6.52
GN 3000 100	100	295	195	7.04
GN 3000 125	125	345	220	7.69
GN 3000 137	137.5	370	232.5	8.02
GN 3000 160	160	415	255	8.60
GN 3000 175	175	445	270	8.99
GN 3000 200	200	495	295	9.65
GN 3000 225	225	545	320	10.30
GN 3000 250	250	595	345	10.95



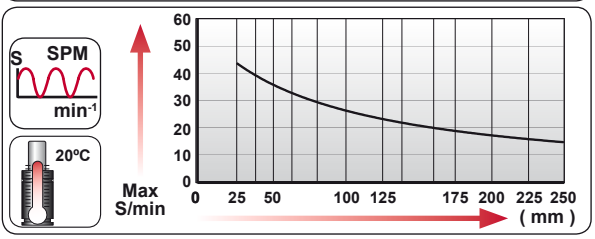
CODE	Pressure Gauge	bar	psi	F <sub>0</sub> daN	F <sub>1</sub> daN
GN 3000 050		150	2175	2945	3800
GN-H 3000 050		0	0	---	---



	ENG ORDER		F <sub>0</sub> daN		S mm
	DEU BESTELLUNG				
	FRA COMMANDE				
	ITA ORDINE				
	ESP PEDIDO				
POR PEDIDO					

GN 3000 50



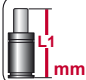


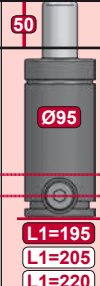
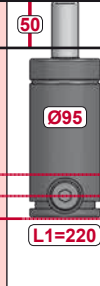
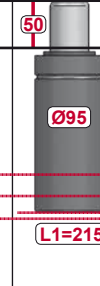
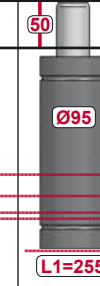
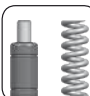

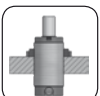





GN 3000 050



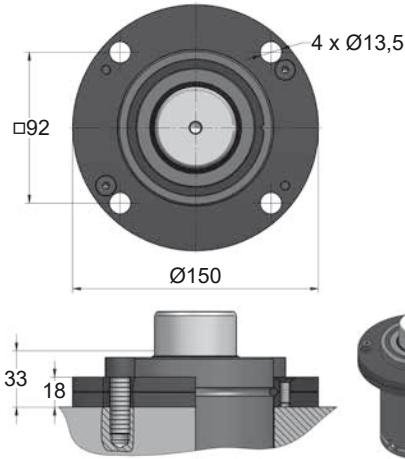
N <sub>2</sub>	Smax < 90%	Vmax 1,6 m/s	Pmin (20°C)	Pmax (20°C)	Tmin	Tmax			600 CP-

bar	psi	bar	psi	°C	°F	°C	°F
20	290	150	2175	0	32	80	176

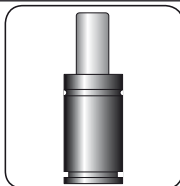
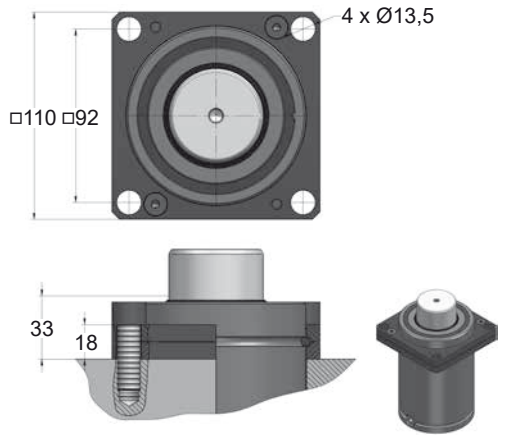


								
<b>MODEL</b>	<b>X</b>	CW 4200 KZ 4200	<b>X</b>	CK 4000 FD 3000	<b>GN 3000</b> CM 4000 CD 4200	AG 3000	CP 8000	CS 7500
<b>SERIES</b>	MINI	COMPACT HEIGHT	THREADED	LOW PROFILE	HEAVY DUTY	ISO	HEAVY LOAD	POWER COMPACT STROKE
								

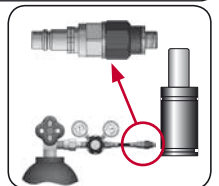
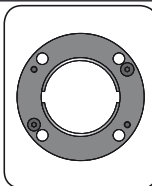
## A14-095



## A34-095



**SEAL KIT S-XXXXXXX**  
**CARTRIDGE KIT C-XXXXXXX**



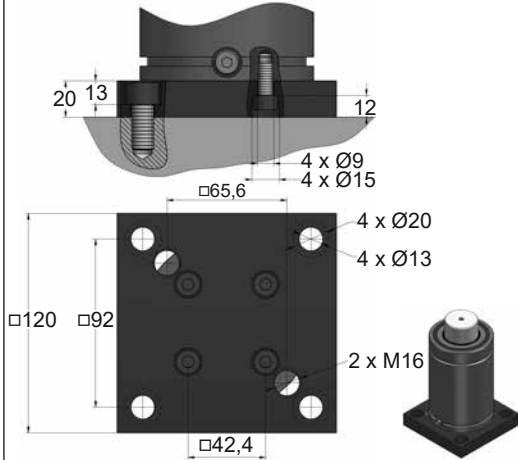
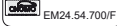
<b>CODE</b>	<b>GN 3000 050</b>	<b>KIT S-XXXXXXX</b> <b>KIT C-XXXXXXX</b>	<b>A14-095</b>	<b>18 CG 1-Q</b>
ENG ORDER	GAS SPRING	REPAIR KIT	FLANGE	CHARGING ADAPTER
DEU BESTELLUNG	GASDRUCKFEDER	ERSATZTEILSATZ	FLANSCHEN	LADEADAPTER
FRA COMMANDE	RESSORT À GAZ	KIT DE RÉPARATION	BRIDE	RACCORD DE CHARGE
ITA ORDINE	CILINDRO AD AZOTO	KIT DI MANUTENZIONE	FLANGE	ADATTATORE DI CARICO
ESP PEDIDO	RESORTE DE GAS	KIT DE REPARACION	BRIDA	ADAPTADOR DE CARGA
POR PEDIDO	CILINDRO DE GÁS	KIT DE MANUTENÇÃO	FLANGE	ADAPTADOR DE CARGA

# GN 3000 MOUNTS

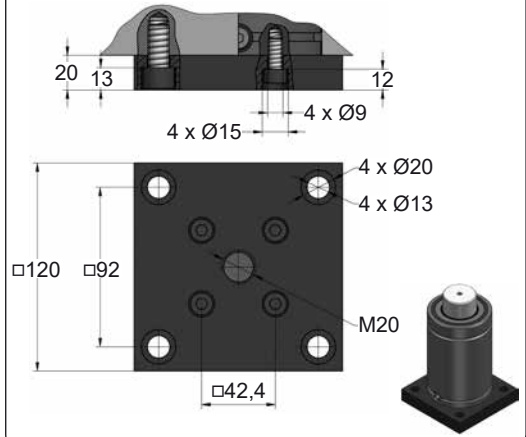
Heavy Duty



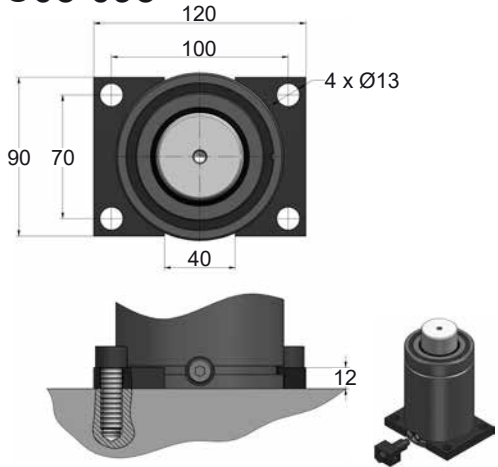
## B21-095



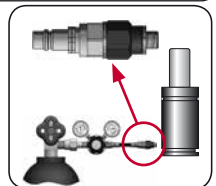
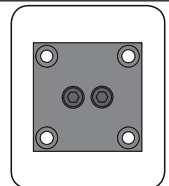
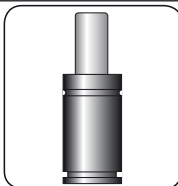
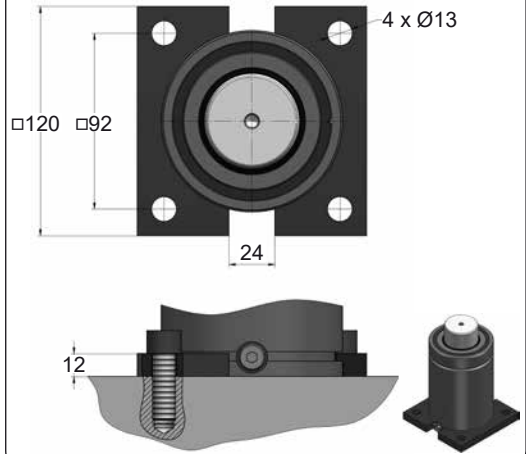
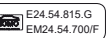
## B76-095



## C05-095



## C20-095



CODE	GN 3000 050	KIT S-XXXXXXX KIT C-XXXXXXX	B21-095	18 CG 1-Q
ENG ORDER	GAS SPRING	REPAIR KIT	FLANGE	CHARGING ADAPTER
DEU BESTELLUNG	GASDRUCKFEDER	ERSATZTEILSATZ	FLANSCHEN	LADEADAPTER
FRA COMMANDE	RESSORT À GAZ	KIT DE RÉPARATION	BRIDE	RACCORD DE CHARGE
ITA ORDINE	CILINDRO AD AZOTO	KIT DI MANUTENZIONE	FLANGE	ADATTATORE DI CARICO
ESP PEDIDO	RESORTE DE GAS	KIT DE REPARACION	BRIDA	ADAPTADOR DE CARGA
POR PEDIDO	CILINDRO DE GÁS	KIT DE MANUTENÇÃO	FLANGE	ADAPTADOR DE CARGA

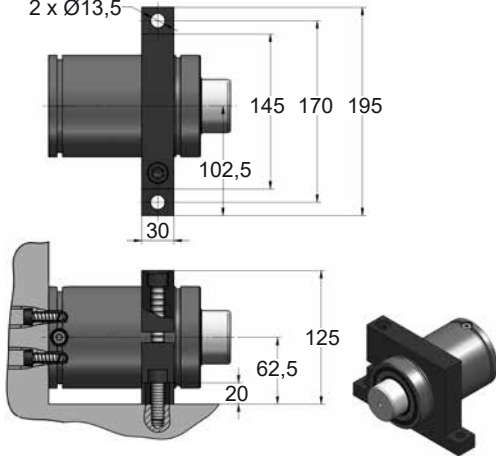


# GN 3000 MOUNTS

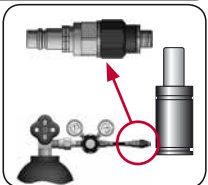
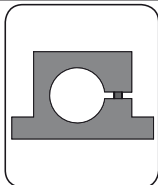
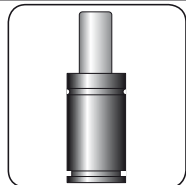
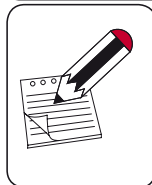
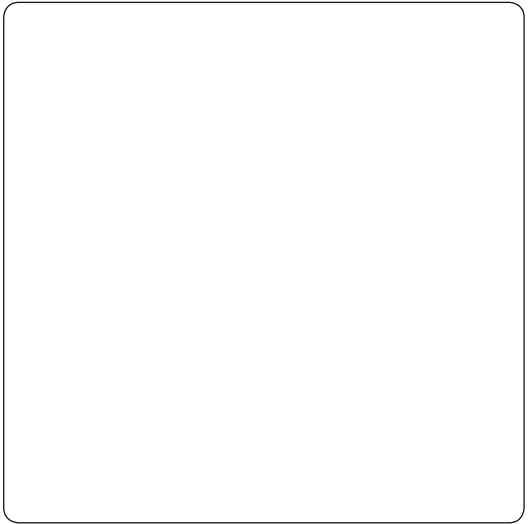
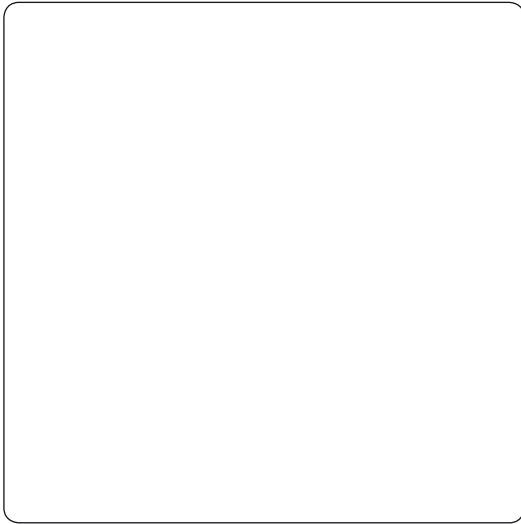
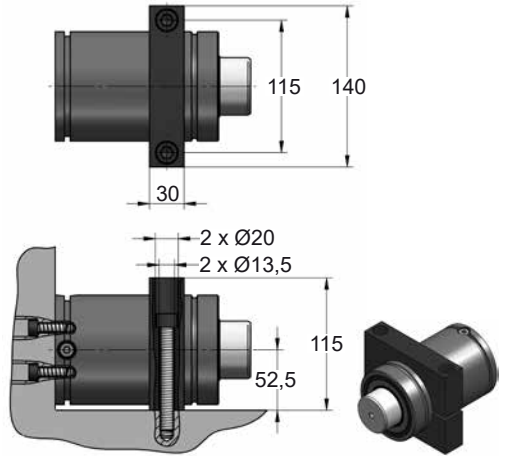
Heavy Duty

## D02-095

2 x Ø13,5



## D67-095

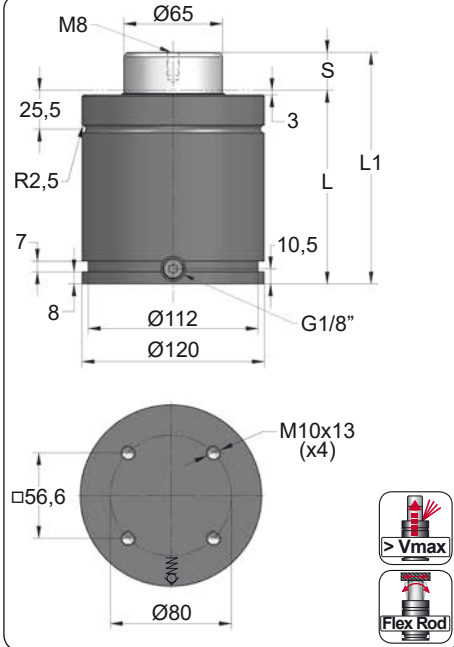


CODE	GN 3000 050	KIT S-XXXXXXX KIT C-XXXXXXX	D02-095	18 CG 1-Q
ENG ORDER	GAS SPRING	REPAIR KIT	FLANGE	CHARGING ADAPTER
DEU BESTELLUNG	GASDRUCKFEDER	ERSATZTEILSATZ	FLANSCHEN	LADEADAPTER
FRA COMMANDE	RESSORT À GAZ	KIT DE RÉPARATION	BRIDE	RACCORD DE CHARGE
ITA ORDINE	CILINDRO AD AZOTO	KIT DI MANUTENZIONE	FLANGE	ADATTATORE DI CARICO
ESP PEDIDO	RESORTE DE GAS	KIT DE REPARACION	BRIDA	ADAPTADOR DE CARGA
POR PEDIDO	CILINDRO DE GAS	KIT DE MANUTENÇÃO	FLANGE	ADAPTADOR DE CARGA

# GN 5000

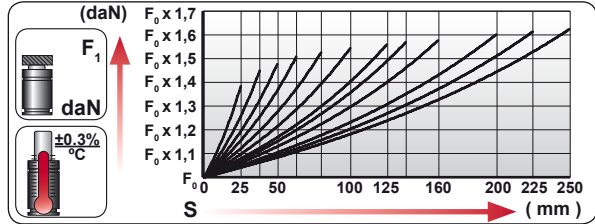
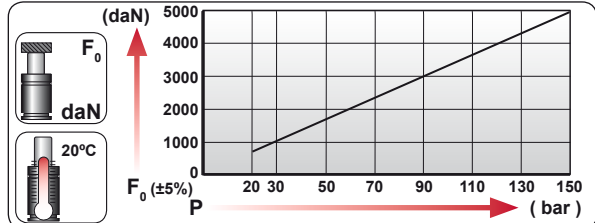
Heavy Duty



ORDER	S (mm)	L1 ±0,25 (mm)	L (mm)	Kg.
GN 5000 025	25	152.5	127.5	8.27
GN 5000 037	37.5	177.5	140	8.78
GN 5000 050	50	202.5	152.5	9.29
GN 5000 062	62.5	227.5	165	9.79
GN 5000 080	80	262.5	182.5	10.51
GN 5000 100	100	302.5	202.5	11.32
GN 5000 125	125	352.5	227.5	12.34
GN 5000 137	137.5	377.5	240	12.85
GN 5000 160	160	422.5	262.5	13.76
GN 5000 200	200	502.5	302.5	15.39
GN 5000 225	225	552.5	327.5	16.41
GN 5000 250	250	602.5	352.5	17.42

CODE	Pressure Gauge	bar	psi	F <sub>0</sub> daN	F <sub>1</sub> daN
GN 5000 050		150	2175	4980	7355
GN-H 5000 050		0	0	---	---

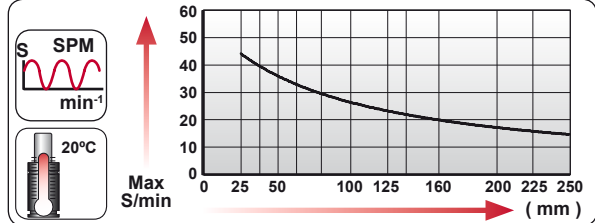


ENG	ORDER
DEU	BESTELLUNG
FRA	COMMANDE
ITA	ORDINE
ESP	PEDIDO
POR	PEDIDO

F<sub>0</sub> daN    S mm



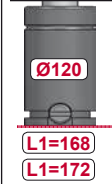






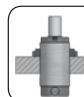





**GN 5000 50**

**GN 5000 050**

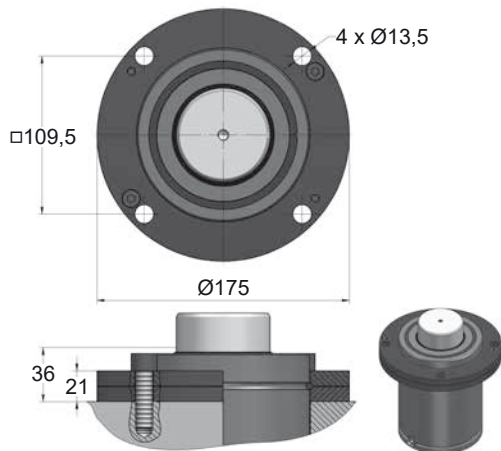


	S <sub>max</sub> < 100%	V	P <sub>min</sub> (20°C)	P <sub>max</sub> (20°C)	T <sub>min</sub>	T <sub>max</sub>	
--	-------------------------	---	-------------------------	-------------------------	------------------	------------------	--

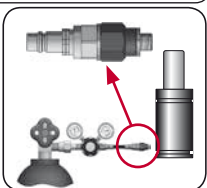
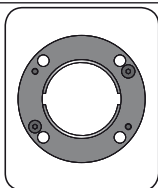
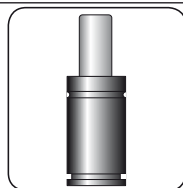
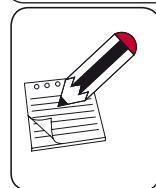
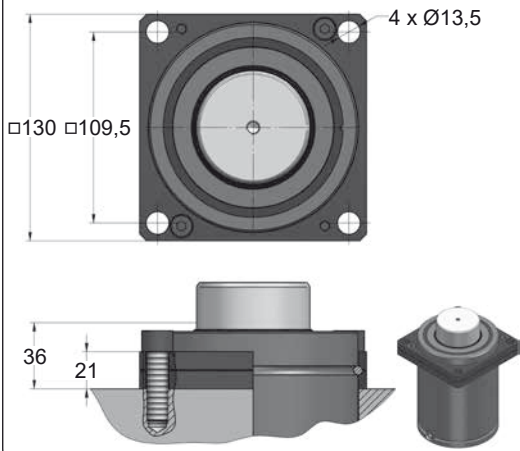
N <sub>2</sub>	S <sub>max</sub> < 90%	V <sub>max</sub> 1,6 m/s	bar psi	bar psi	°C °F	°C °F	600 CP-
			20 290	150 2175	0 32	80 176	

								
<b>MODEL</b>	<b>X</b> CW 6600 KZ 6600	<b>X</b>	FD 5000	<b>GN 5000</b> CM 6500 CD 6600	AG 5000	<b>X</b> CS 11800		
<b>SERIES</b>	MINI 	COMPACT HEIGHT 	THREADED 	LOW PROFILE 	HEAVY DUTY 	ISO 	HEAVY LOAD 	POWER COMPACT STROKE 

## A14-120



## A34-120




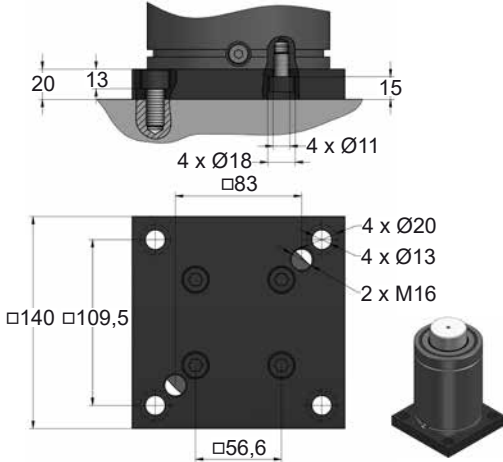
<b>CODE</b>	<b>GN 5000 050</b>	<b>KIT S-XXXXXXX</b> <b>KIT C-XXXXXXX</b>	<b>A14-120</b>	<b>18 CG 1-Q</b>
ENG ORDER	GAS SPRING	REPAIR KIT	FLANGE	CHARGING ADAPTER
DEU BESTELLUNG	GASDRUCKFEDER	ERSATZTEILSATZ	FLANSCHEN	LADEADAPTER
FRA COMMANDE	RESSORT À GAZ	KIT DE RÉPARATION	BRIDE	RACCORD DE CHARGE
ITA ORDINE	CILINDRO AD AZOTO	KIT DI MANUTENZIONE	FLANGE	ADATTATORE DI CARICO
ESP PEDIDO	RESORTE DE GAS	KIT DE REPARACION	BRIDA	ADAPTADOR DE CARGA
POR PEDIDO	CILINDRO DE GÁS	KIT DE MANUTENÇÃO	FLANGE	ADAPTADOR DE CARGA

# GN 5000 MOUNTS

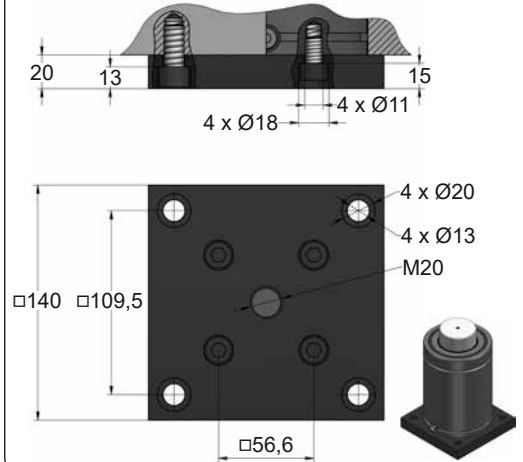
Heavy Duty

**AZOL**  
**GAS**

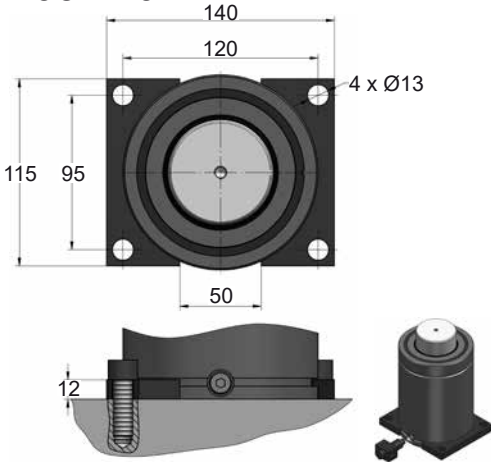
## B21-120

 EM24.54.700/F


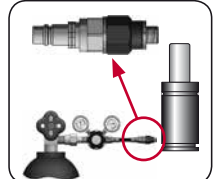
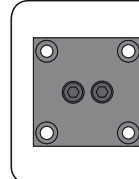
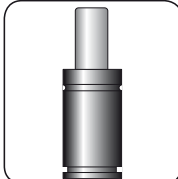
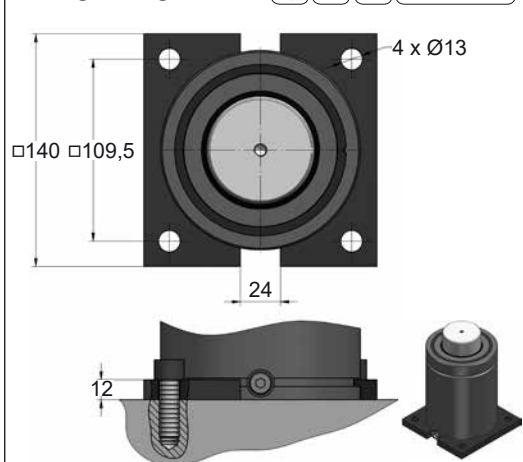
## B76-120

   EM24.54.700/F


## C05-120



## C20-120

    E24.54.815 G  
EM24.54.700/F


CODE	GN 5000 050	KIT S-XXXXXXX KIT C-XXXXXXX	B21-120	18 CG 1-Q
ENG ORDER	GAS SPRING	REPAIR KIT	FLANGE	CHARGING ADAPTER
DEU BESTELLUNG	GASDRUCKFEDER	ERSATZTEILSATZ	FLANSCHEN	LADEADAPTER
FRA COMMANDE	RESSORT À GAZ	KIT DE RÉPARATION	BRIDE	RACCORD DE CHARGE
ITA ORDINE	CILINDRO AD AZOTO	KIT DI MANUTENZIONE	FLANGE	ADATTATORE DI CARICO
ESP PEDIDO	RESORTE DE GAS	KIT DE REPARACION	BRIDA	ADAPTADOR DE CARGA
POR PEDIDO	CILINDRO DE GÁS	KIT DE MANUTENÇÃO	FLANGE	ADAPTADOR DE CARGA

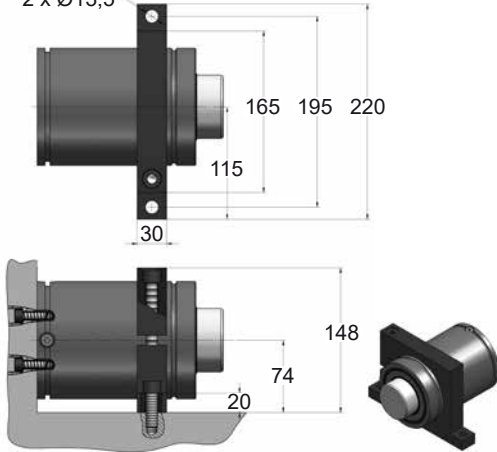


# GN 5000 MOUNTS

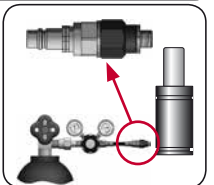
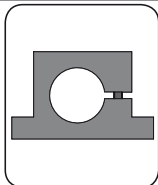
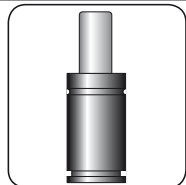
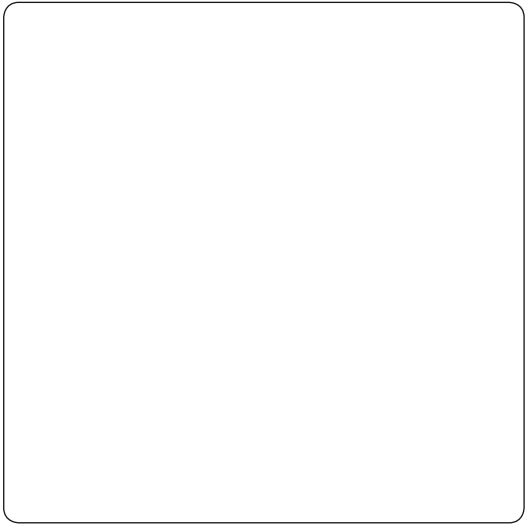
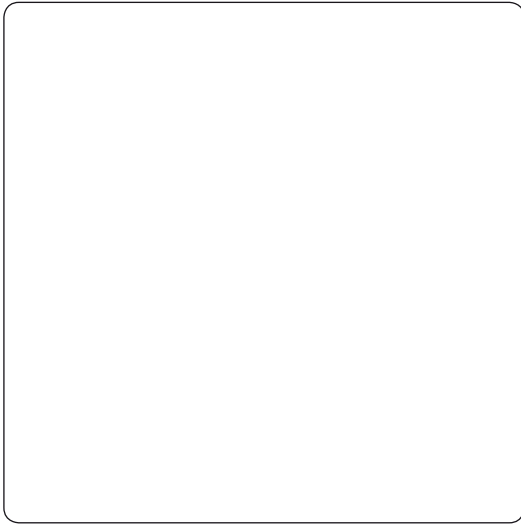
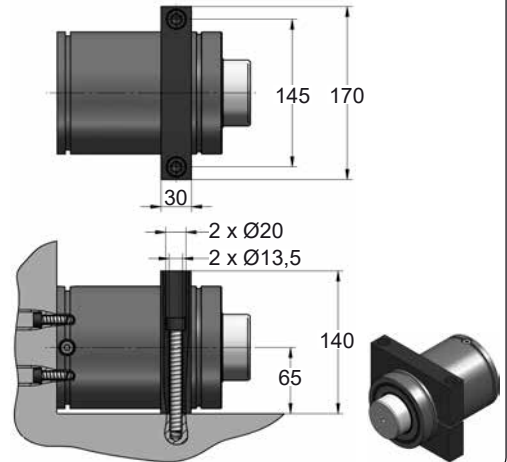
Heavy Duty

## D02-120

2 x Ø13,5



## D67-120

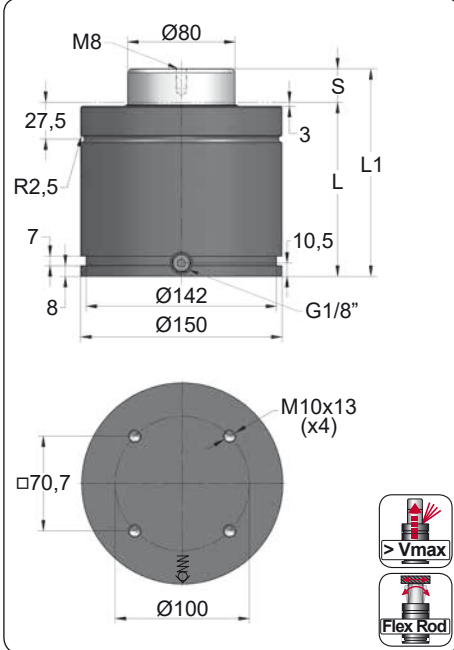


CODE	GN 5000 050	KIT S-XXXXXXX KIT C-XXXXXXX	D02-120	18 CG 1-Q
ENG ORDER	GAS SPRING	REPAIR KIT	FLANGE	CHARGING ADAPTER
DEU BESTELLUNG	GASDRUCKFEDER	ERSATZTEILSATZ	FLANSCHEN	LADEADAPTER
FRA COMMANDE	RESSORT À GAZ	KIT DE RÉPARATION	BRIDE	RACCORD DE CHARGE
ITA ORDINE	CILINDRO AD AZOTO	KIT DI MANUTENZIONE	FLANGE	ADATTATORE DI CARICO
ESP PEDIDO	RESORTE DE GAS	KIT DE REPARACION	BRIDA	ADAPTADOR DE CARGA
POR PEDIDO	CILINDRO DE GÁS	KIT DE MANUTENÇÃO	FLANGE	ADAPTADOR DE CARGA

# GN 7500

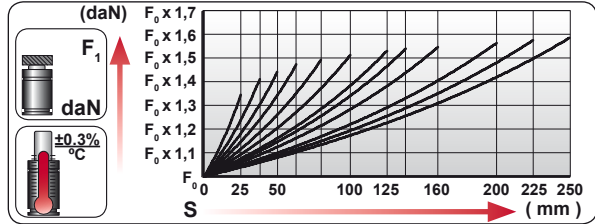
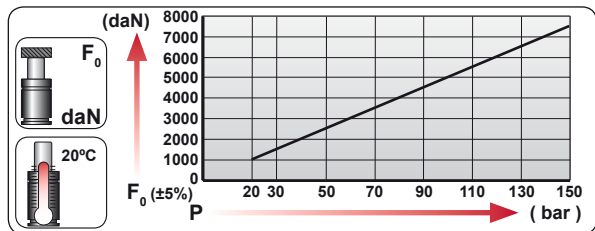
Heavy Duty



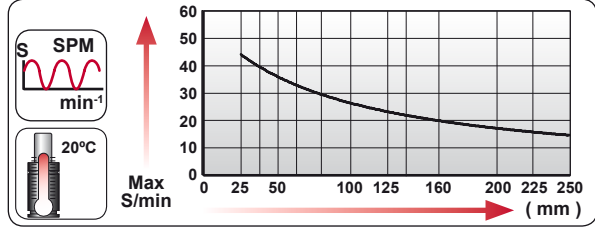
ORDER	S (mm)	L1 ±0,25 (mm)	L (mm)	Kg.
GN 7500 025	25	155	130	13.49
GN 7500 037	37.5	180	142.5	14.28
GN 7500 050	50	205	155	15.07
GN 7500 062	62.5	230	167.5	15.86
GN 7500 080	80	265	185	16.96
GN 7500 100	100	305	205	18.23
GN 7500 125	125	355	230	19.81
GN 7500 137	137.5	380	242.5	20.60
GN 7500 160	160	425	265	22.02
GN 7500 200	200	505	305	24.55
GN 7500 225	225	555	330	26.13
GN 7500 250	250	605	355	27.71

CODE	Pressure Gauge	bar	psi	F <sub>0</sub> daN	F <sub>1</sub> daN
GN 7500 050		150	2175	7540	10860
GN-H 7500 050		0	0	---	---



ENG	ORDER
DEU	BESTELLUNG
FRA	COMMANDE
ITA	ORDINE
ESP	PEDIDO
POR	PEDIDO

F<sub>0</sub> daN    S mm  
**GN 7500 50**  
**GN 7500 050**



	S <sub>max</sub> 100%	v	P <sub>min</sub> (20°C)	P <sub>max</sub> (20°C)	T <sub>min</sub>	T <sub>max</sub>	
--	-----------------------	---	-------------------------	-------------------------	------------------	------------------	--

N <sub>2</sub>	S <sub>max</sub> < 90%	V <sub>max</sub> 1,6 m/s	bar psi	bar psi	°C °F	°C °F	600 CP-
			20 290	150 2175	0 32	80 176	



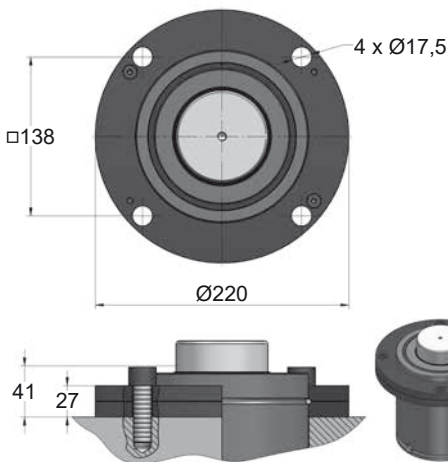
# GN 7500 MOUNTS

Heavy Duty

<b>MODEL</b>	<b>X</b>	CW 9500 CW 11800	<b>X</b>	<b>X</b>	GN 7500 CM 10000 CD 9600	AG 7500	<b>X</b>	CS 18300
<b>SERIES</b>	MINI	COMPACT HEIGHT	THREADED	LOW PROFILE	HEAVY DUTY	ISO	HEAVY LOAD	POWER COMPACT STROKE

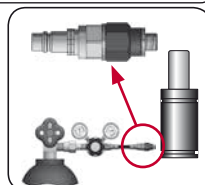
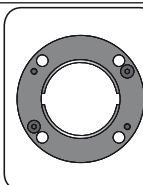
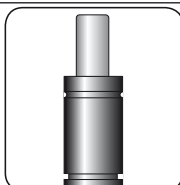
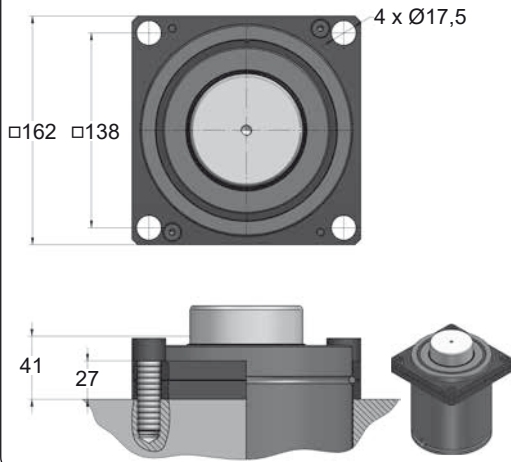
## A14-150

ISO 9001  
VDA 6.3  
E24.54.815.G  
EM24.54.700/F



## A34-150

ISO 9001  
VDI



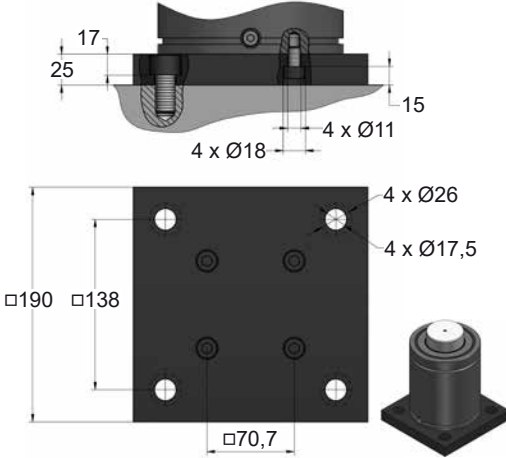
<b>CODE</b>	<b>GN 7500 050</b>	<b>KIT S-XXXXXXX</b> <b>KIT C-XXXXXXX</b>	<b>A14-150</b>	<b>18 CG 1-Q</b>
ENG ORDER	GAS SPRING	REPAIR KIT	FLANGE	CHARGING ADAPTER
DEU BESTELLUNG	GASDRUCKFEDER	ERSATZTEILSATZ	FLANSCHEN	LADEADAPTER
FRA COMMANDE	RESSORT À GAZ	KIT DE RÉPARATION	BRIDE	RACCORD DE CHARGE
ITA ORDINE	CILINDRO AD AZOTO	KIT DI MANUTENZIONE	FLANGE	ADATTATORE DI CARICO
ESP PEDIDO	RESORTE DE GAS	KIT DE REPARACION	BRIDA	ADAPTADOR DE CARGA
POR PEDIDO	CILINDRO DE GAS	KIT DE MANUTENÇÃO	FLANGE	ADAPTADOR DE CARGA

# GN 7500 MOUNTS

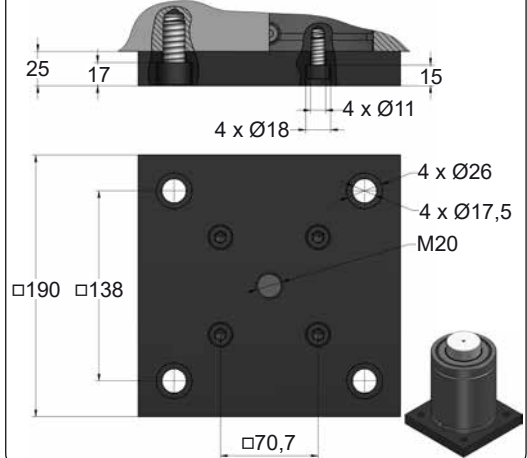
Heavy Duty



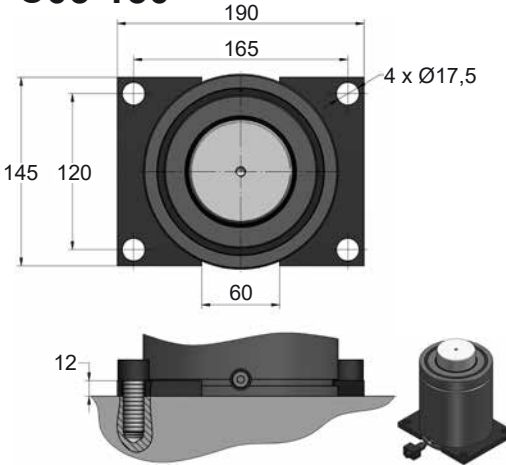
## B21-150



## B76-150



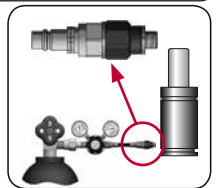
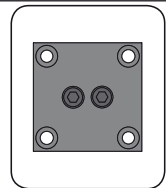
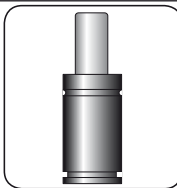
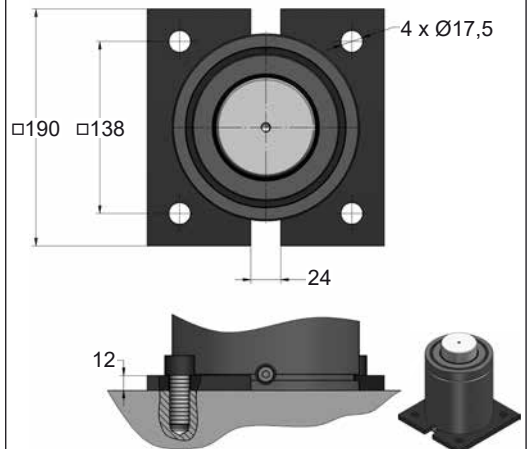
## C05-150



## C20-150



E24.54.815.G  
EM24.54.700.F



CODE	GN 7500 050	KIT S-XXXXXXX KIT C-XXXXXXX	B21-150	18 CG 1-Q
ENG ORDER	GAS SPRING	REPAIR KIT	FLANGE	CHARGING ADAPTER
DEU BESTELLUNG	GASDRUCKFEDER	ERSATZTEILSATZ	FLANSCHEN	LADEADAPTER
FRA COMMANDE	RESSORT À GAZ	KIT DE RÉPARATION	BRIDE	RACCORD DE CHARGE
ITA ORDINE	CILINDRO AD AZOTO	KIT DI MANUTENZIONE	FLANGE	ADATTATORE DI CARICO
ESP PEDIDO	RESORTE DE GAS	KIT DE REPARACION	BRIDA	ADAPTADOR DE CARGA
POR PEDIDO	CILINDRO DE GÁS	KIT DE MANUTENÇÃO	FLANGE	ADAPTADOR DE CARGA



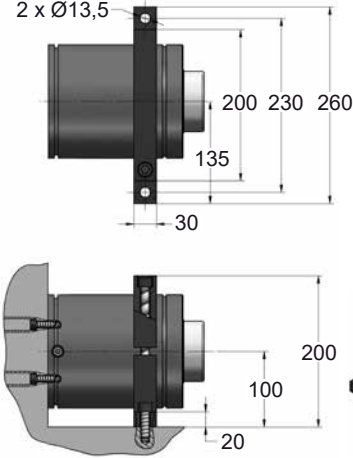
# GN 7500 MOUNTS

Heavy Duty



## D02-150

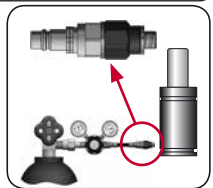
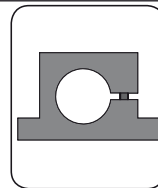
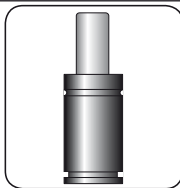
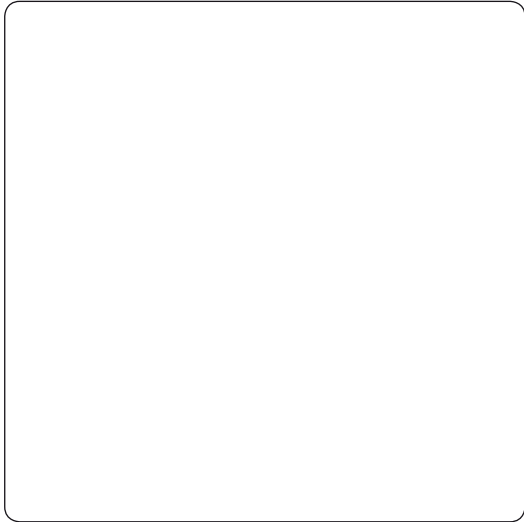
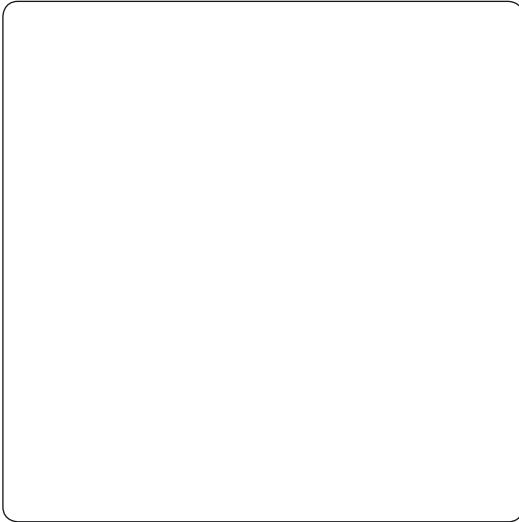
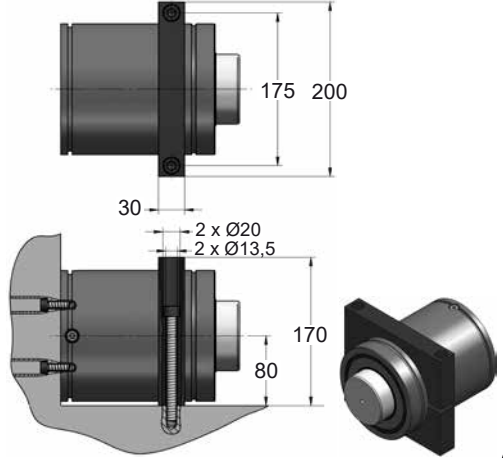
2 x Ø13,5



E24.54.815.G



## D67-150



CODE	GN 7500 050	KIT S-XXXXXXX KIT C-XXXXXXX	D02-150	18 CG 1-Q
ENG ORDER	GAS SPRING	REPAIR KIT	FLANGE	CHARGING ADAPTER
DEU BESTELLUNG	GASDRUCKFEDER	ERSATZTEILSATZ	FLANSCHEN	LADEADAPTER
FRA COMMANDE	RESSORT À GAZ	KIT DE RÉPARATION	BRIDE	RACCORD DE CHARGE
ITA ORDINE	CILINDRO AD AZOTO	KIT DI MANUTENZIONE	FLANGE	ADATTATORE DI CARICO
ESP PEDIDO	RESORTE DE GAS	KIT DE REPARACION	BRIDA	ADAPTADOR DE CARGA
POR PEDIDO	CILINDRO DE GÁS	KIT DE MANUTENÇÃO	FLANGE	ADAPTADOR DE CARGA

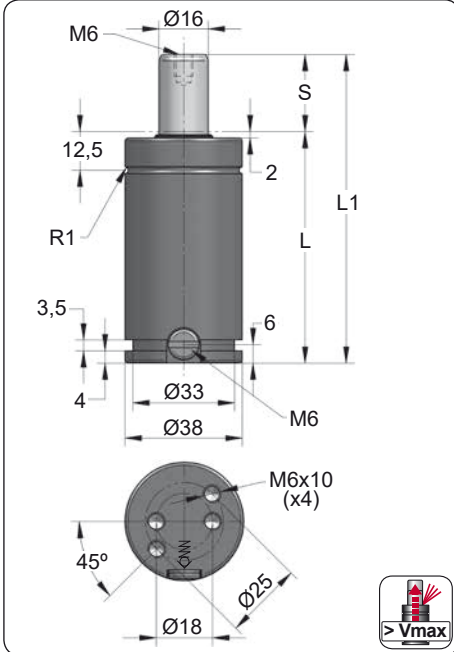




# FD 300

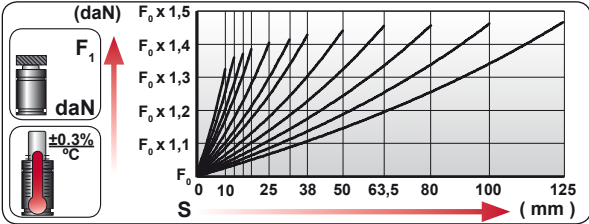
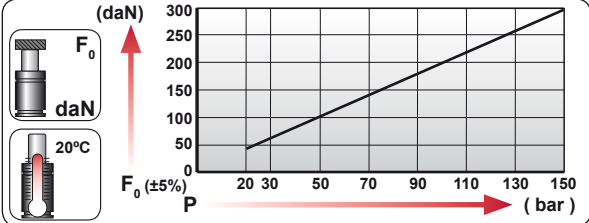
Low Profile



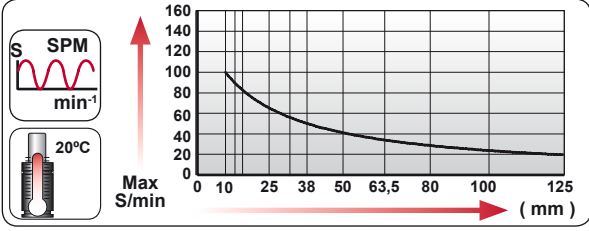



CODE	S (mm)	L1 ±0,25 (mm)	L (mm)	Kg.
FD 300 010	10	70	60	0.41
FD 300 012	12.7	75.4	62.7	0.42
FD 300 016	16	82	66	0.43
FD 300 019	19	88	69	0.44
FD 300 025	25	100	75	0.47
FD 300 032	32	114	82	0.53
FD 300 038	38	126	88	0.58
FD 300 050	50	150	100	0.64
FD 300 063	63.5	177	113.5	0.71
FD 300 080	80	210	130	0.80
FD 300 100	100	250	150	0.90
FD 300 125	125	300	175	1.10

CODE				
	bar	psi	daN	daN
FD 300 050	150	2175	300	430
FD-H 300 050	0	0	---	---



	ENG ORDER DEU BESTELLUNG FRA COMMANDE ITA ORDINE ESP PEDIDO POR PEDIDO		
		daN	mm
		FD 300	50
		FD 300 050	



N <sub>2</sub>	S <sub>max</sub> < 90%	V <sub>max</sub> 1,6 m/s	P <sub>min</sub> (20°C)	P <sub>max</sub> (20°C)	T <sub>min</sub>	T <sub>max</sub>	600 CP-

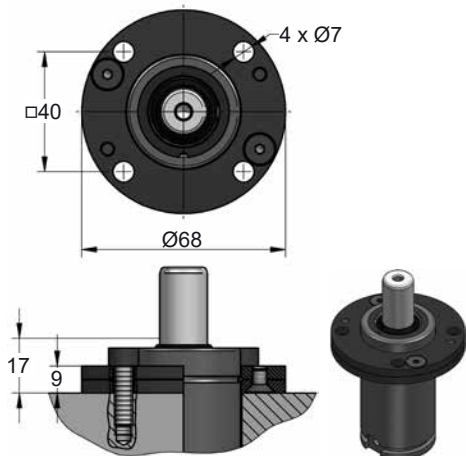
bar	psi	bar	psi	°C	°F	°C	°F	
20	290	150	2175	0	32	80	176	



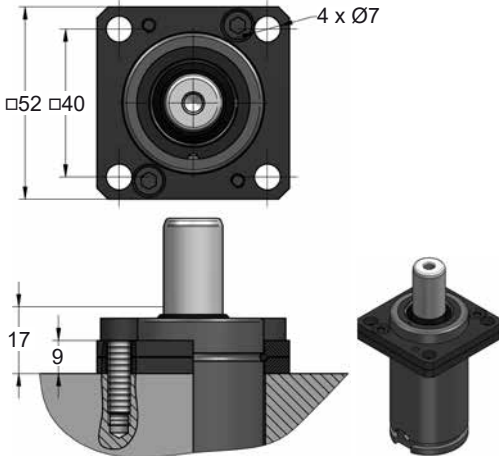
# FD 300 MOUNTS

Low Profile

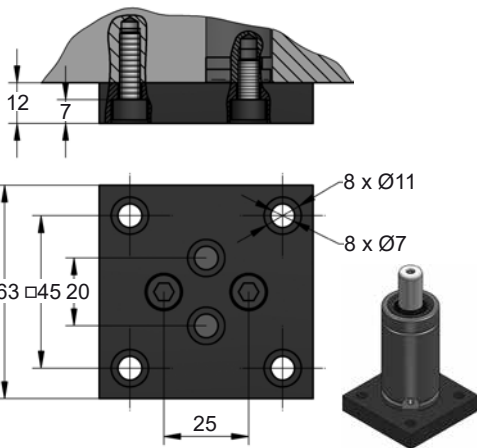
## A14-038



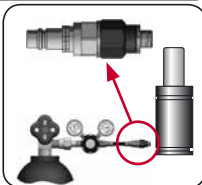
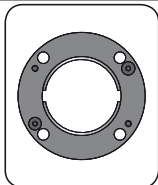
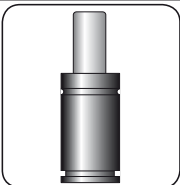
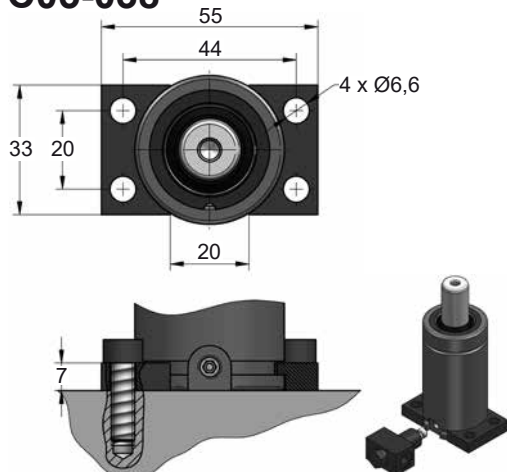
## A34-038



## B76-038



## C05-038

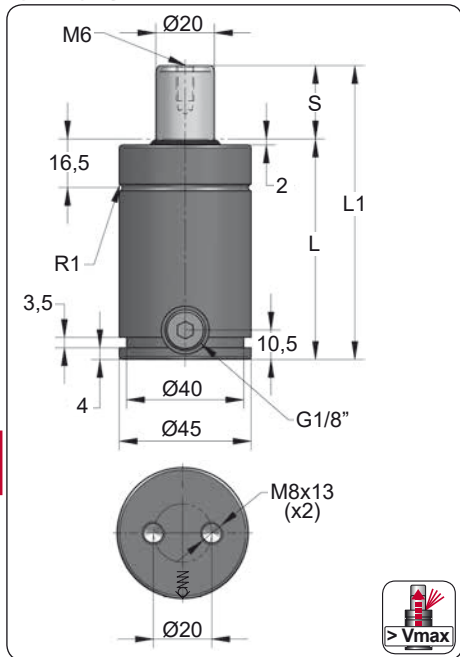


CODE	FD 300 050	KIT S-XXXXXXX KIT C-XXXXXXX	A14-038	06 CG 2-Q
ENG ORDER	GAS SPRING	REPAIR KIT	FLANGE	CHARGING ADAPTER
DEU BESTELLUNG	GASDRUCKFEDER	ERSATZTEILSATZ	FLANSCH	LADEADAPTER
FRA COMMANDE	RESSORT À GAZ	KIT DE RÉPARATION	BRIDE	RACCORD DE CHARGE
ITA ORDINE	CILINDRO AD AZOTO	KIT DI MANUTENZIONE	FLANGE	ADATTATORE DI CARICO
ESP PEDIDO	RESORTE DE GAS	KIT DE REPARACION	BRIDA	ADAPTADOR DE CARGA
POR PEDIDO	CILINDRO DE GAS	KIT DE MANUTENÇÃO	FLANGE	ADAPTADOR DE CARGA

# FD 500

Low Profile

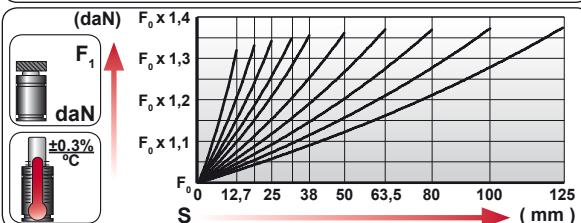
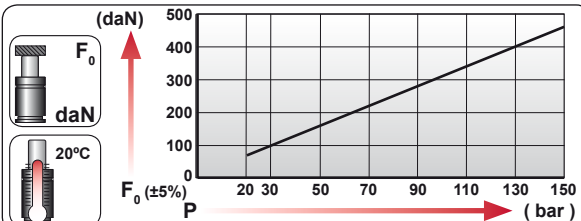
		RENAULT EM24.54.700



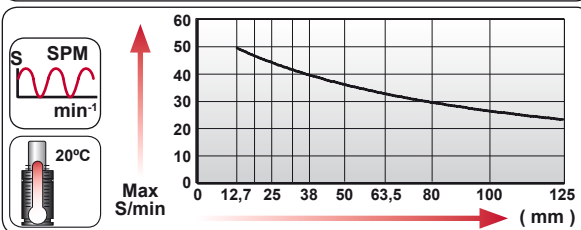
ORDER	S (mm)	L1 ±0,25 (mm)	L (mm)	Kg.
FD 500 012	12.7	75.4	62.7	0.56
FD 500 019	19	88	69	0.60
FD 500 025	25	100	75	0.63
FD 500 032	32	114	82	0.66
FD 500 038	38	126	88	0.69
FD 500 050	50	150	100	0.75
FD 500 063	63.5	177	113.5	0.82
FD 500 080	80	210	130	0.90
FD 500 100	100	250	150	1.00
FD 500 125	125	300	175	1.13



CODE	Pressure	F <sub>0</sub> (daN)	F <sub>1</sub> (daN)
FD 500 050	150 bar / 2175 psi	470	640
FD-H 500 050	0 bar / 0 psi	---	---








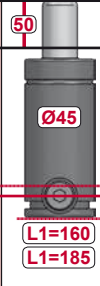
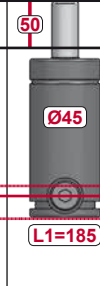



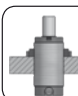





<p>ENG ORDER</p> <p>DEU BESTELLUNG</p> <p>FRA COMMANDE</p> <p>ITA ORDINE</p> <p>ESP PEDIDO</p> <p>POR PEDIDO</p>	<p>F<sub>0</sub> (daN)</p> <p>S (mm)</p>
<p>FD 500</p> <p>FD 50</p>	<p>FD 500 050</p>



--	--	--	--	--	--

N <sub>2</sub>	Smax < 90%	Vmax 1,6 m/s	bar psi 20 290	bar psi 150 2175	°C °F 0 32	°C °F 80 176	600 CP-
----------------	------------	--------------	----------------	------------------	------------	--------------	---------

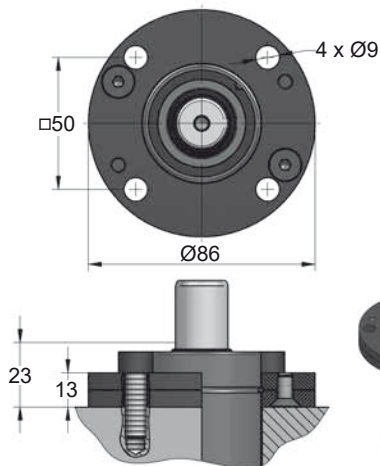


  	 <p>Ø45 L1=132 L1=147</p>	 <p>Ø45 L1=150 L1=150</p>	 <p>Ø45 L1=160 L1=185</p>	 <p>Ø45 L1=185</p>	 <p>Ø45 L1=160</p>								
MODEL	X CW 750 KZ 750	X	CK 750 FD 500	CM 600 CD 700	AG 500	CPH 1250	X						
SERIES	MINI	COMPACT HEIGHT	THREADED	LOW PROFILE	HEAVY DUTY	ISO	HEAVY LOAD	POWER COMPACT STROKE					

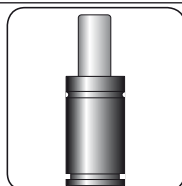
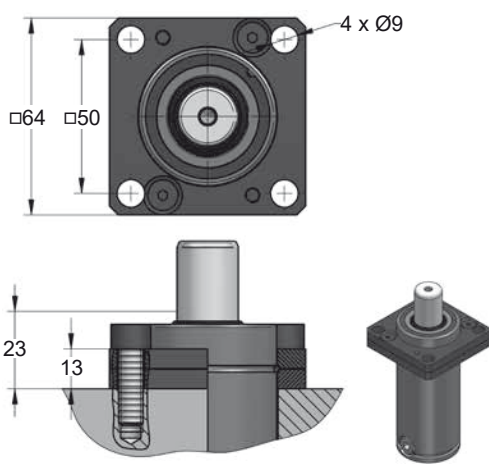
## A14-045



E24.54.815.G  
EM24.54.700/F



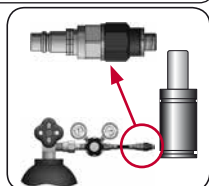
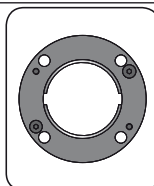
## A34-045



SEAL  
KIT S-XXXXXXX



CARTRIDGE  
KIT C-XXXXXXX



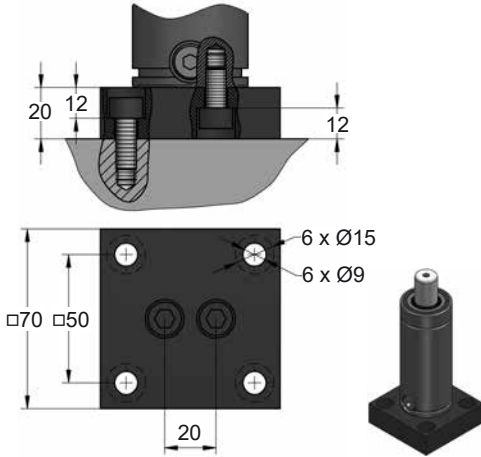
CODE	FD 500 050	KIT S-XXXXXXX KIT C-XXXXXXX	A14-045	18 CG 1-Q
ENG ORDER	GAS SPRING	REPAIR KIT	FLANGE	CHARGING ADAPTER
DEU BESTELLUNG	GASDRUCKFEDER	ERSATZTEILSATZ	FLANSCHEN	LADEADAPTER
FRA COMMANDE	RESSORT À GAZ	KIT DE RÉPARATION	BRIDE	RACCORD DE CHARGE
ITA ORDINE	CILINDRO AD AZOTO	KIT DI MANUTENZIONE	FLANGE	ADATTATORE DI CARICO
ESP PEDIDO	RESORTE DE GAS	KIT DE REPARACION	BRIDA	ADAPTADOR DE CARGA
POR PEDIDO	CILINDRO DE GÁS	KIT DE MANUTENÇÃO	FLANGE	ADAPTADOR DE CARGA

# FD 500 MOUNTS

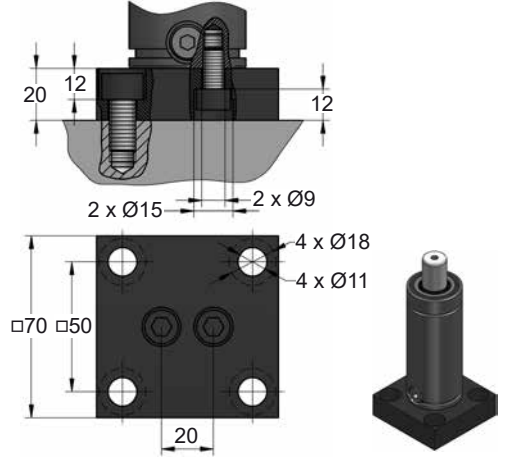
Low Profile

**AZOL**  
**GAS**

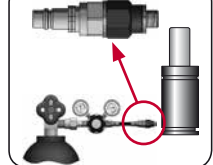
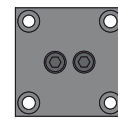
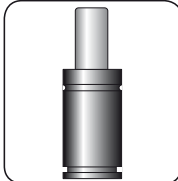
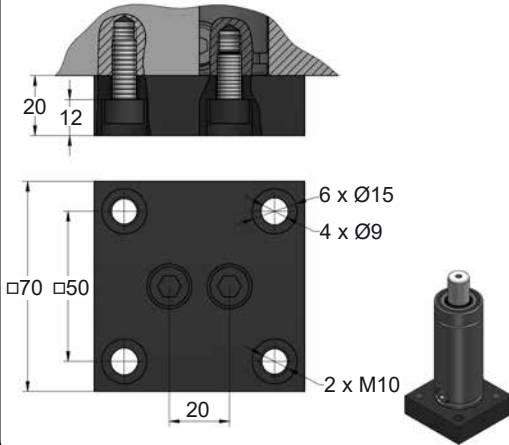
## B21-045



## B51-045



## B76-045



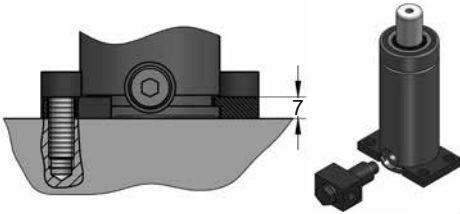
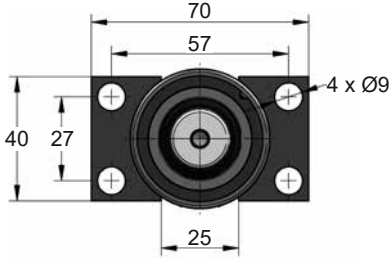
CODE	FD 500 050	KIT S-XXXXXXX KIT C-XXXXXXX	B21-045	18 CG 1-Q
ENG ORDER	GAS SPRING	REPAIR KIT	FLANGE	CHARGING ADAPTER
DEU BESTELLUNG	GASDRUCKFEDER	ERSATZTEILSATZ	FLANSCHEN	LADEADAPTER
FRA COMMANDE	RESSORT À GAZ	KIT DE RÉPARATION	BRIDE	RACCORD DE CHARGE
ITA ORDINE	CILINDRO AD AZOTO	KIT DI MANUTENZIONE	FLANGE	ADATTATORE DI CARICO
ESP PEDIDO	RESORTE DE GAS	KIT DE REPARACION	BRIDA	ADAPTADOR DE CARGA
POR PEDIDO	CILINDRO DE GAS	KIT DE MANUTENÇÃO	FLANGE	ADAPTADOR DE CARGA



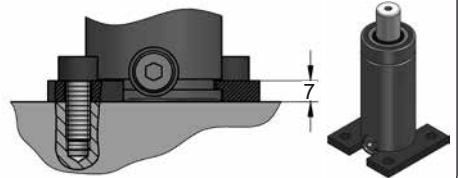
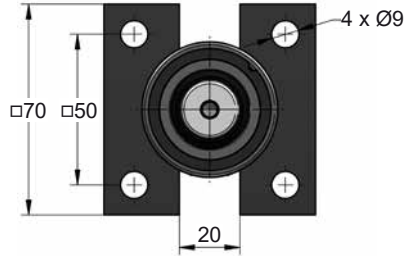
# FD 500 MOUNTS

Low Profile

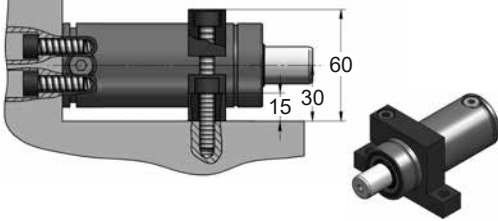
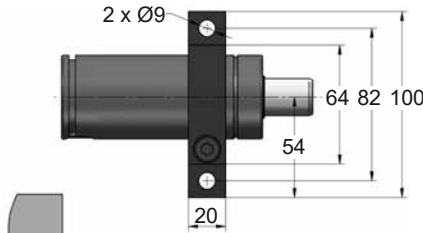
## C05-045



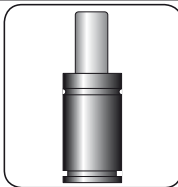
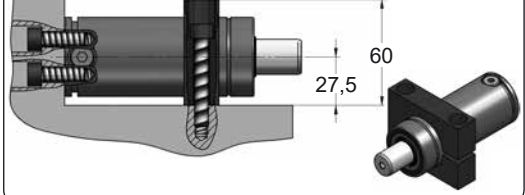
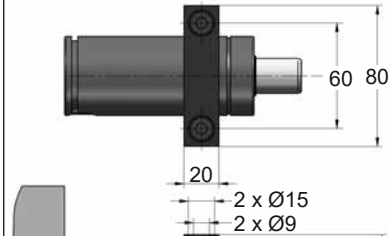
## C20-045



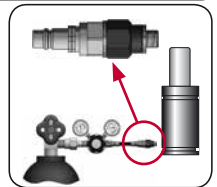
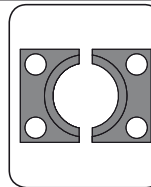
## D02-045



## D67-045



**SEAL KIT S-XXXXXXX**  
**CARTRIDGE KIT C-XXXXXXX**

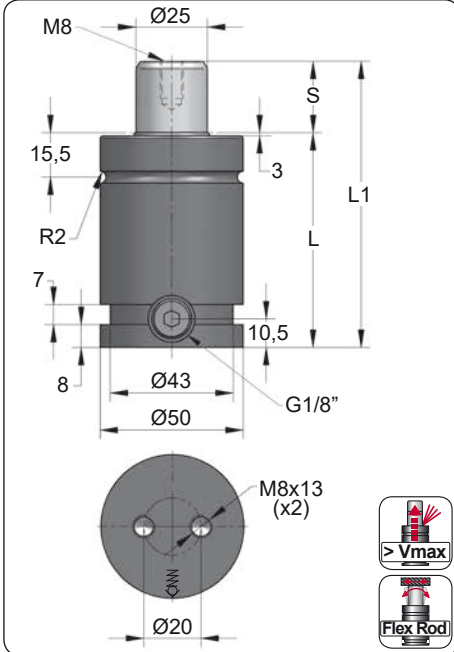


CODE	FD 500 050	KIT S-XXXXXXX KIT C-XXXXXXX	C05-045	18 CG 1-Q
ENG ORDER	GAS SPRING	REPAIR KIT	FLANGE	CHARGING ADAPTER
DEU BESTELLUNG	GASDRUCKFEDER	ERSATZTEILSATZ	FLANSCHEN	LADEADAPTER
FRA COMMANDE	RESSORT À GAZ	KIT DE RÉPARATION	BRIDE	RACCORD DE CHARGE
ITA ORDINE	CILINDRO AD AZOTO	KIT DI MANUTENZIONE	FLANGE	ADATTATORE DI CARICO
ESP PEDIDO	RESORTE DE GAS	KIT DE REPARACION	BRIDA	ADAPTADOR DE CARGA
POR PEDIDO	CILINDRO DE GÁS	KIT DE MANUTENÇÃO	FLANGE	ADAPTADOR DE CARGA

# FD 750 V1

Low Profile

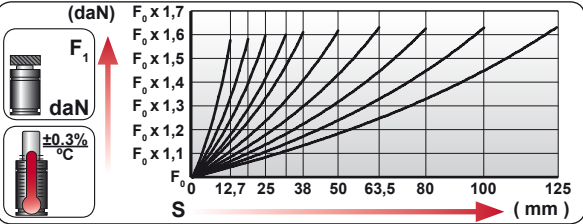
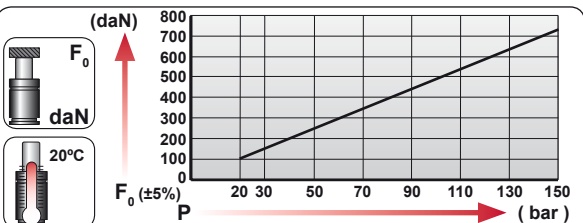
MB B8 3180 220 000 003	RENAULT EM24.54.700
------------------------	---------------------



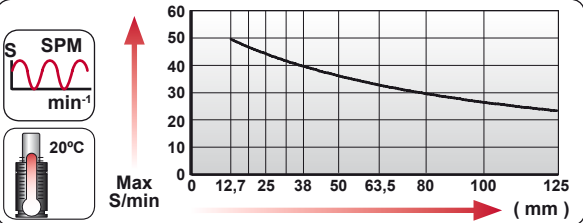
ORDER	S (mm)	L1 ±0,25 (mm)	L (mm)	Kg.
FD 750 012 V1	12.7	75.4	62.7	0.70
FD 750 019 V1	19	88	69	0.76
FD 750 025 V1	25	100	75	0.81
FD 750 032 V1	32	114	82	0.86
FD 750 038 V1	38	126	88	0.91
FD 750 050 V1	50	150	100	1.01
FD 750 063 V1	63.5	177	113.5	1.12
FD 750 080 V1	80	210	130	1.26
FD 750 100 V1	100	250	150	1.42
FD 750 125 V1	125	300	175	1.63



CODE	Pressure Gauge	bar	psi	F <sub>0</sub> daN	F <sub>1</sub> daN
FD 750 050 V1		150	2175	740	1195
FD-H 750 050 V1		0	0	---	---



<p>ENG ORDER</p> <p>DEU BESTELLUNG</p> <p>FRA COMMANDE</p> <p>ITA ORDINE</p> <p>ESP PEDIDO</p> <p>POR PEDIDO</p>	<p>F<sub>0</sub> daN</p> <p>S mm</p>
<p>FD 750</p> <p>FD 50</p>	<p>FD 750 050 V1</p>



--	--	--	--	--	--	--	--

N <sub>2</sub>	Smax < 90%	Vmax 1,6 m/s	bar psi	bar psi	°C °F	°C °F	600 CP-
			20 290	150 2175	0 32	80 176	

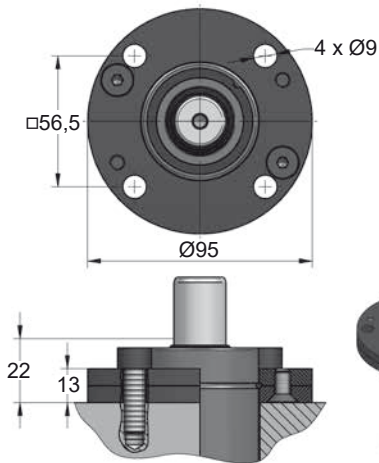


# FD 750 V1 MOUNTS

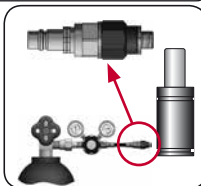
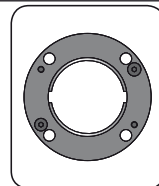
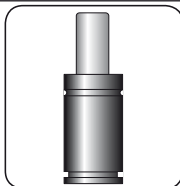
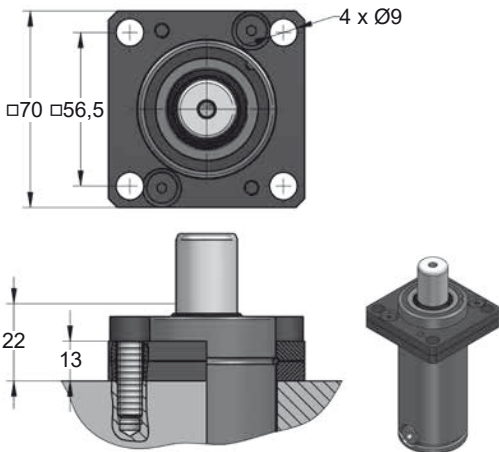
Low Profile

<b>MODEL</b>	<b>X</b>	CW 1000 KZ 1000	<b>X</b>	CT 1000 CK 1000 FD 750	GN 750 CM 1000 CD 1000	AG 750	CPH 1700 CP 2000	CS 1800
<b>SERIES</b>	MINI	COMPACT HEIGHT	THREADED	LOW PROFILE	HEAVY DUTY	ISO	HEAVY LOAD	POWER COMPACT STROKE

## A14-050



## A34-050



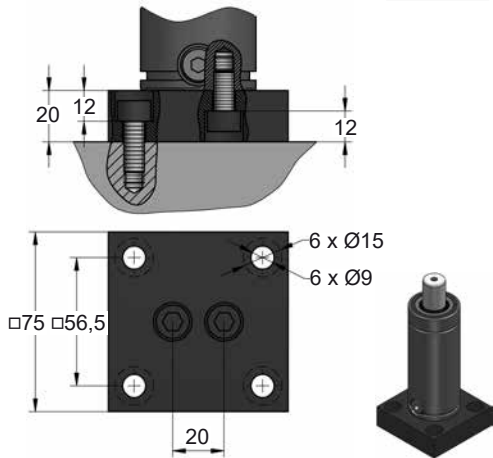
<b>CODE</b>	<b>FD 750 050 V1</b>	<b>KIT S-XXXXXXX</b> <b>KIT C-XXXXXXX</b>	<b>A14-050</b>	<b>18 CG 1-Q</b>
ENG ORDER	GAS SPRING	REPAIR KIT	FLANGE	CHARGING ADAPTER
DEU BESTELLUNG	GASDRUCKFEDER	ERSATZTEILSATZ	FLANSCHEN	LADEADAPTER
FRA COMMANDE	RESSORT À GAZ	KIT DE RÉPARATION	BRIDE	RACCORD DE CHARGE
ITA ORDINE	CILINDRO AD AZOTO	KIT DI MANUTENZIONE	FLANGE	ADATTATORE DI CARICO
ESP PEDIDO	RESORTE DE GAS	KIT DE REPARACION	BRIDA	ADAPTADOR DE CARGA
POR PEDIDO	CILINDRO DE GÁS	KIT DE MANUTENÇÃO	FLANGE	ADAPTADOR DE CARGA

# FD 750 V1 MOUNTS

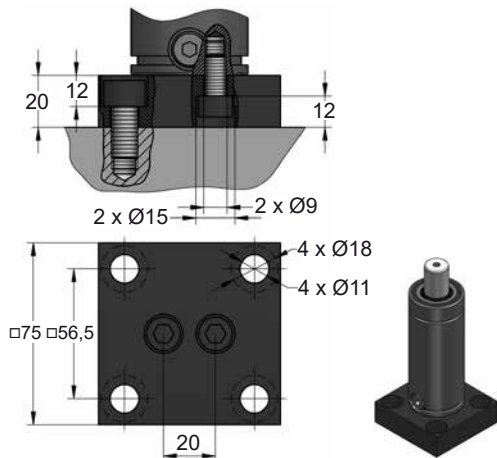


Low Profile

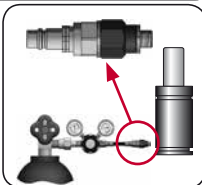
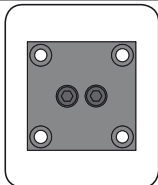
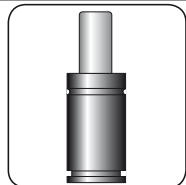
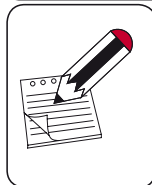
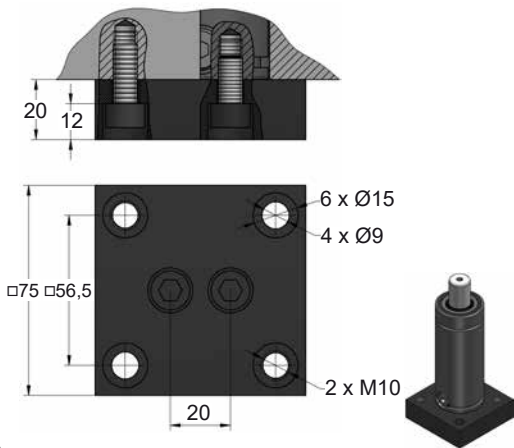
## B21-050



## B51-050



## B76-050



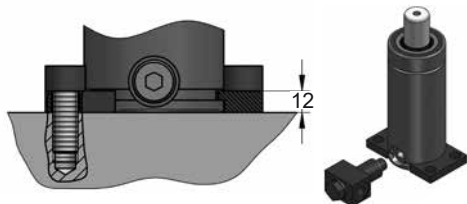
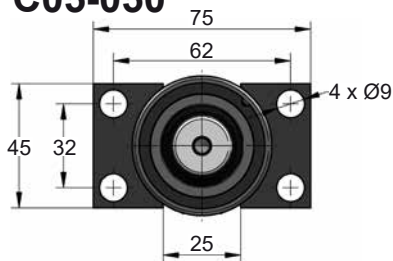
CODE	FD 750 050 V1	KIT S-XXXXXXX KIT C-XXXXXXX	B21-050	18 CG 1-Q
ENG	ORDER	GAS SPRING	REPAIR KIT	FLANGE
DEU	BESTELLUNG	GASDRUCKFEDER	ERSATZTEILSATZ	FLANSCHEN
FRA	COMMANDE	RESSORT À GAZ	KIT DE RÉPARATION	BRIDE
ITA	ORDINE	CILINDRO AD AZOTO	KIT DI MANUTENZIONE	FLANGE
ESP	PEDIDO	RESORTE DE GAS	KIT DE REPARACION	BRIDA
POR	PEDIDO	CILINDRO DE GÁS	KIT DE MANUTENÇÃO	FLANGE
				CHARGING ADAPTER
				LADEADAPTER
				RACCORD DE CHARGE
				ADATTATORE DI CARICO
				ADAPTADOR DE CARGA
				ADAPTADOR DE CARGA



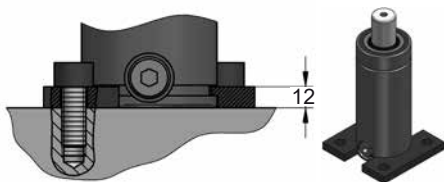
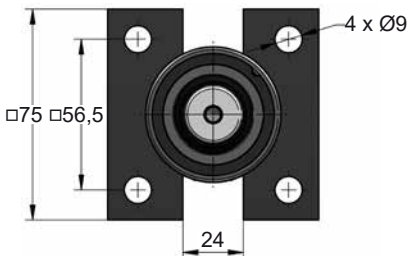
# FD 750 V1 MOUNTS

Low Profile

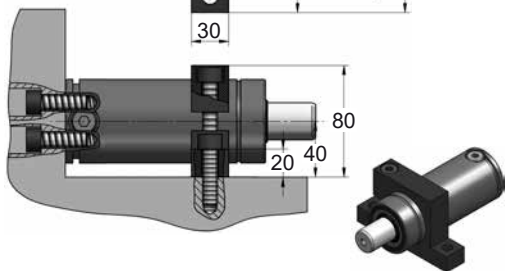
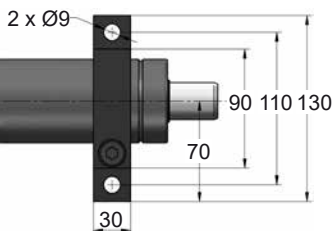
## C05-050



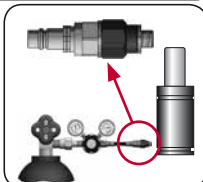
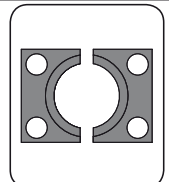
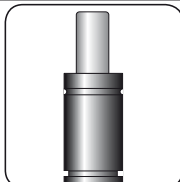
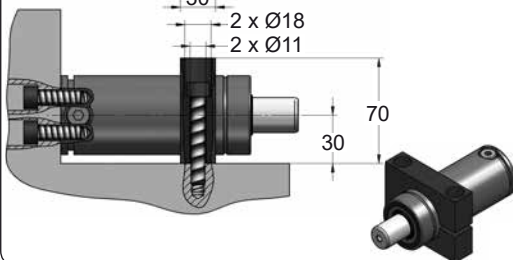
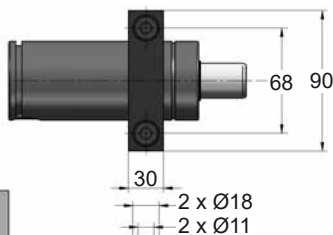
## C20-050



## D02-050



## D67-050

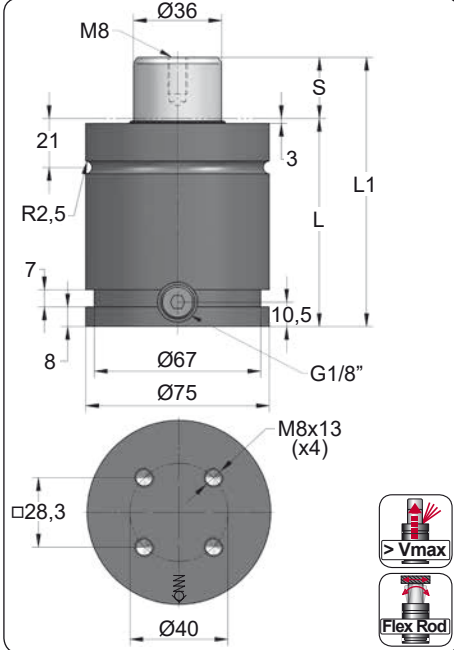


CODE	FD 750 050 V1	KIT S-XXXXXXX KIT C-XXXXXXX	C05-050	18 CG 1-Q
ENG ORDER	GAS SPRING	REPAIR KIT	FLANGE	CHARGING ADAPTER
DEU BESTELLUNG	GASDRUCKFEDER	ERSATZTEILSATZ	FLANSCHEN	LADEADAPTER
FRA COMMANDE	RESSORT À GAZ	KIT DE RÉPARATION	BRIDE	RACCORD DE CHARGE
ITA ORDINE	CILINDRO AD AZOTO	KIT DI MANUTENZIONE	FLANGE	ADATTATORE DI CARICO
ESP PEDIDO	RESORTE DE GAS	KIT DE REPARACION	BRIDA	ADAPTADOR DE CARGA
POR PEDIDO	CILINDRO DE GÁS	KIT DE MANUTENÇÃO	FLANGE	ADAPTADOR DE CARGA

# FD 1500 V2

Low Profile

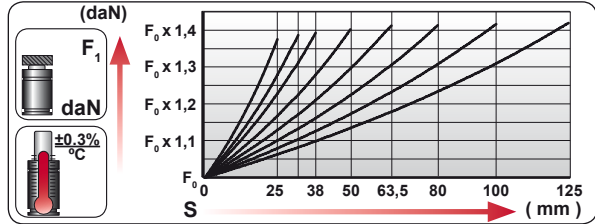
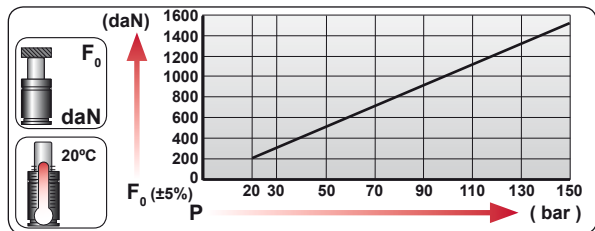
		RENAULT EM24.54.700



ORDER	S (mm)	L1 ±0,25 (mm)	L (mm)	Kg.
FD 1500 025 V2	25	110	85	1.94
FD 1500 032 V2	32	124	92	2.04
FD 1500 038 V2	38	136	98	2.13
FD 1500 050 V2	50	160	110	2.31
FD 1500 063 V2	63.5	187	123.5	2.50
FD 1500 080 V2	80	220	140	2.75
FD 1500 100 V2	100	260	160	3.41
FD 1500 125 V2	125	310	185	4.75

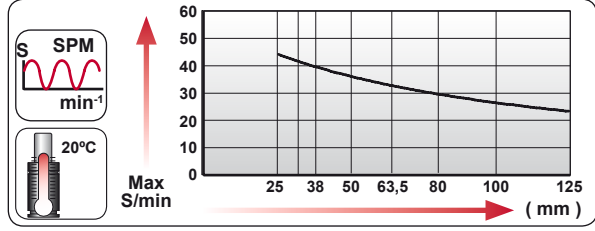


CODE	Pressure	F <sub>0</sub> (daN)	F <sub>1</sub> (daN)
FD 1500 050 V2	150 bar / 2145 psi	1530	2140
FD-H 1500 050 V2	0 bar / 0 psi	---	---



ENG ORDER  
 DEU BESTELLUNG  
 FRA COMMANDE  
 ITA ORDINE  
 ESP PEDIDO  
 POR PEDIDO

F<sub>0</sub> (daN)      S (mm)  
 FD 1500      50  
**FD 1500 050 V2**



N<sub>2</sub>      S<sub>max</sub> < 90%      V<sub>max</sub> 1,6 m/s      Pmin (20°C)      Pmax (20°C)      Tmin      Tmax      600 CP-

N <sub>2</sub>	S <sub>max</sub> < 90%	V <sub>max</sub> 1,6 m/s	bar psi	bar psi	°C °F	°C °F	600 CP-
			20 290	150 2175	0 32	80 176	



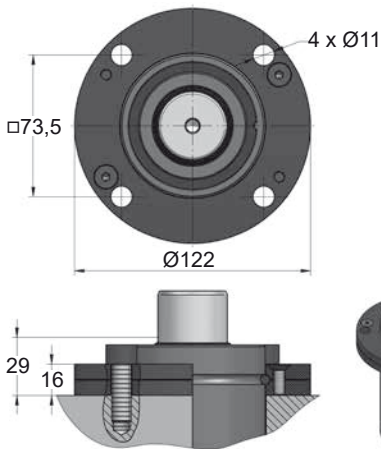


# FD 1500 V2 MOUNTS

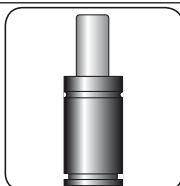
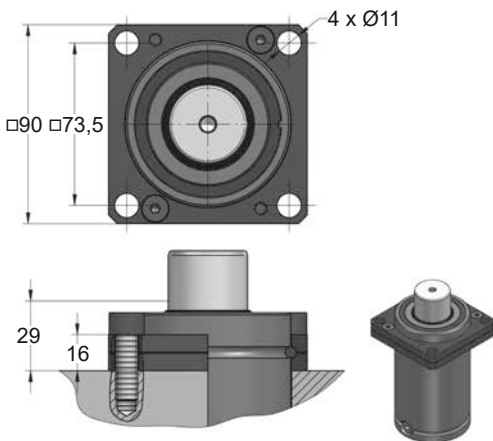
Low Profile

<b>s</b> mm	50	50	50	50	50	50	50	50
	$\varnothing 75$	$\varnothing 75$	$\varnothing 75$	$\varnothing 75$	$\varnothing 75$	$\varnothing 75$	$\varnothing 75$	$\varnothing 75$
<b>mm</b>								
	L1=145 L1=159	L1=154 L1=160 L1=160	L1=185 L1=195 L1=210	L1=210	L1=175 L1=200	L1=240		
<b>MODEL</b>	<b>X</b> CW 2400 KZ 2400	<b>X</b>	CT 2500 CK 2500 FD 1500	GN 1500 CM 2500 CD 2400	AG 1500	CPH 4300 CP 5000	CS 4700	
<b>SERIES</b>	MINI 	COMPACT HEIGHT 	THREADED 	LOW PROFILE 	HEAVY DUTY 	ISO 	HEAVY LOAD 	POWER COMPACT STROKE 

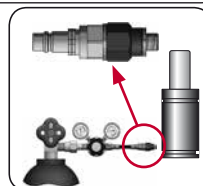
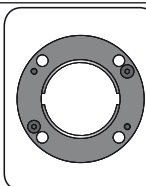
## A14-075



## A34-075



**SEAL KIT S-XXXXXXX**  
**CARTRIDGE KIT C-XXXXXXX**



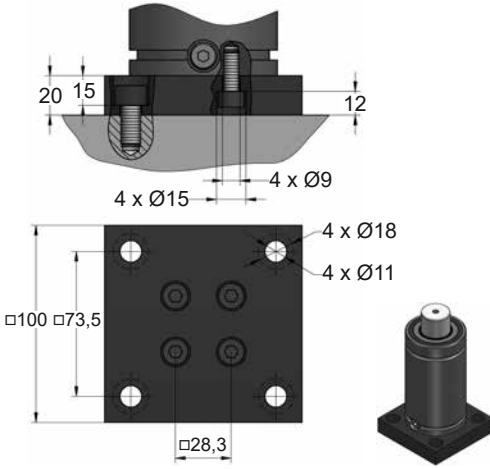
<b>CODE</b>	<b>FD 1500 050 V2</b>	<b>KIT S-XXXXXXX</b> <b>KIT C-XXXXXXX</b>	<b>A14-075</b>	<b>18 CG 1-Q</b>
ENG ORDER	GAS SPRING	REPAIR KIT	FLANGE	CHARGING ADAPTER
DEU BESTELLUNG	GASDRUCKFEDER	ERSATZTEILSATZ	FLANSCHEN	LADEADAPTER
FRA COMMANDE	RESSORT À GAZ	KIT DE RÉPARATION	BRIDE	RACCORD DE CHARGE
ITA ORDINE	CILINDRO AD AZOTO	KIT DI MANUTENZIONE	FLANGE	ADATTATORE DI CARICO
ESP PEDIDO	RESORTE DE GAS	KIT DE REPARACION	BRIDA	ADAPTADOR DE CARGA
POR PEDIDO	CILINDRO DE GÁS	KIT DE MANUTENÇÃO	FLANGE	ADAPTADOR DE CARGA

# FD 1500 V2 MOUNTS

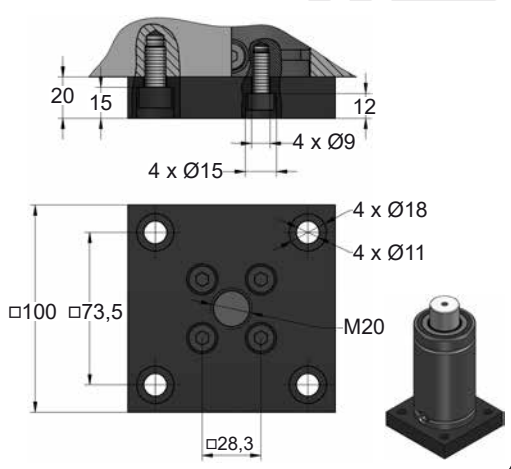


Low Profile

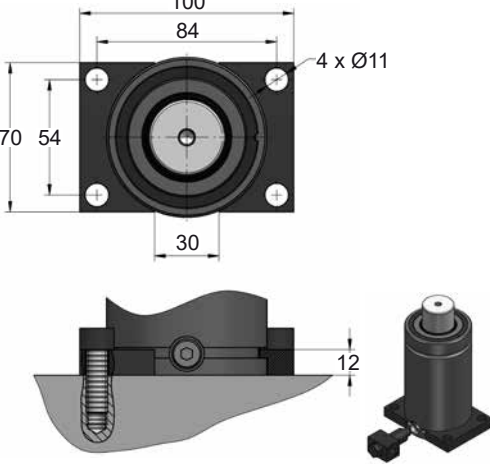
## B21-075



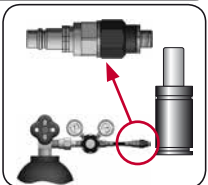
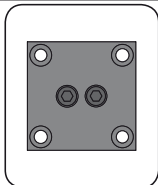
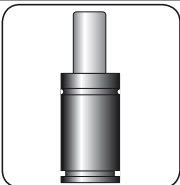
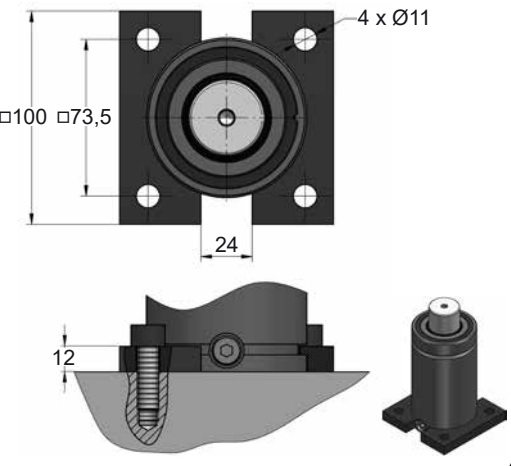
## B76-075



## C05-075



## C20-075



CODE	FD 1500 050 V2	KIT S-XXXXXXX KIT C-XXXXXXX	B21-075	18 CG 1-Q
ENG ORDER	GAS SPRING	REPAIR KIT	FLANGE	CHARGING ADAPTER
DEU BESTELLUNG	GASDRUCKFEDER	ERSATZTEILSATZ	FLANSCHEN	LADEADAPTER
FRA COMMANDE	RESSORT À GAZ	KIT DE RÉPARATION	BRIDE	RACCORD DE CHARGE
ITA ORDINE	CILINDRO AD AZOTO	KIT DI MANUTENZIONE	FLANGE	ADATTATORE DI CARICO
ESP PEDIDO	RESORTE DE GAS	KIT DE REPARACION	BRIDA	ADAPTADOR DE CARGA
POR PEDIDO	CILINDRO DE GAS	KIT DE MANUTENÇÃO	FLANGE	ADAPTADOR DE CARGA

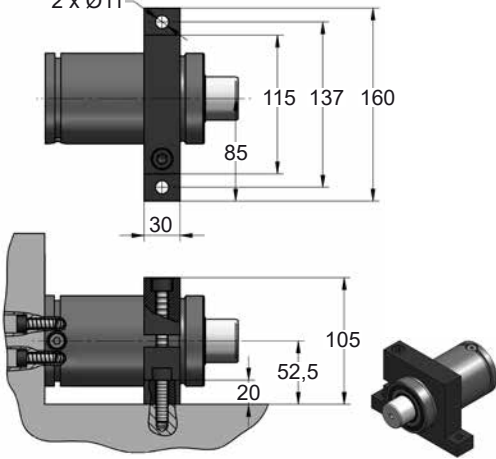


# FD 1500 V2 MOUNTS

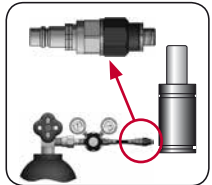
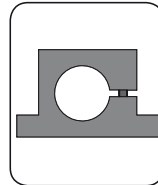
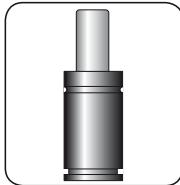
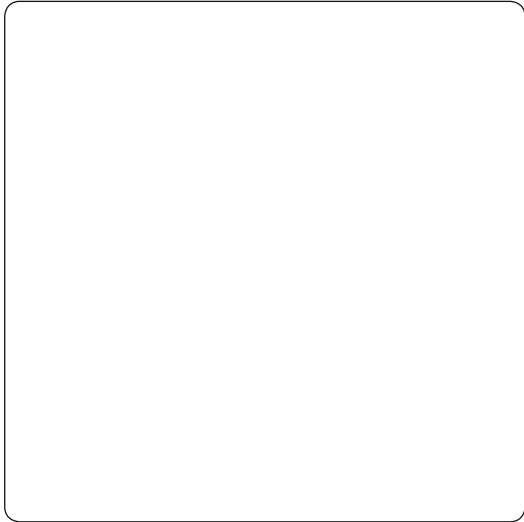
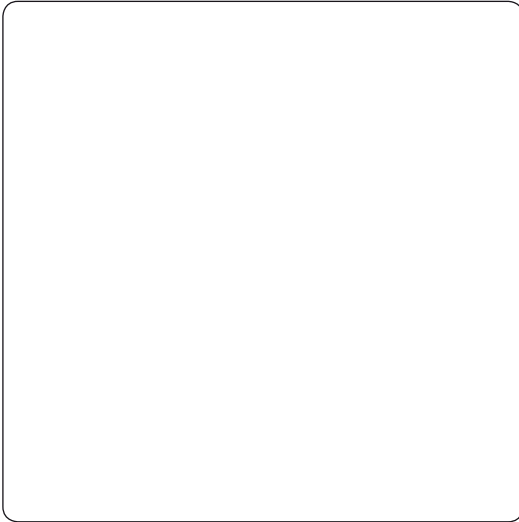
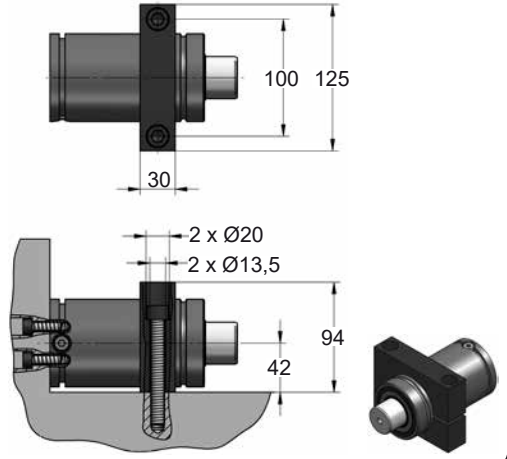
Low Profile

## D02-075

2 x Ø11



## D67-075

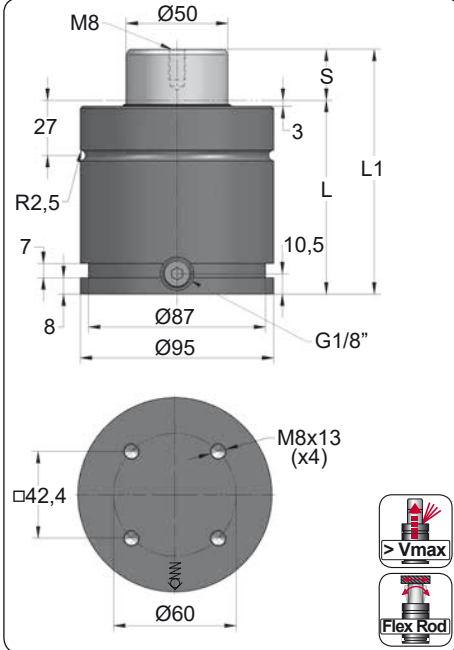


CODE	FD 1500 050 V2	KIT S-XXXXXXX KIT C-XXXXXXX	D02-075	18 CG 1-Q
ENG ORDER	GAS SPRING	REPAIR KIT	FLANGE	CHARGING ADAPTER
DEU BESTELLUNG	GASDRUCKFEDER	ERSATZTEILSATZ	FLANSCHEN	LADEADAPTER
FRA COMMANDE	RESSORT À GAZ	KIT DE RÉPARATION	BRIDE	RACCORD DE CHARGE
ITA ORDINE	CILINDRO AD AZOTO	KIT DI MANUTENZIONE	FLANGE	ADATTATORE DI CARICO
ESP PEDIDO	RESORTE DE GAS	KIT DE REPARACION	BRIDA	ADAPTADOR DE CARGA
POR PEDIDO	CILINDRO DE GÁS	KIT DE MANUTENÇÃO	FLANGE	ADAPTADOR DE CARGA

# FD 3000

Low Profile

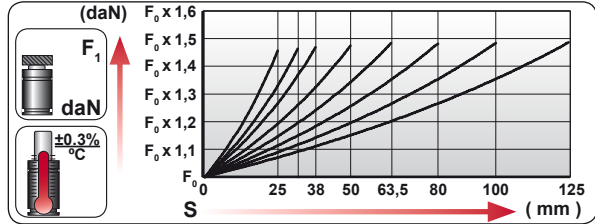
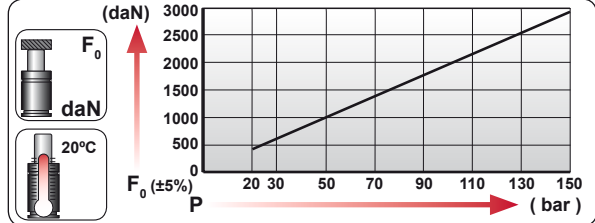
MB B8 3180 220 000 003	RENAULT EM24.54.700
------------------------	---------------------



ORDER	S (mm)	L1 ±0,25 (mm)	L (mm)	Kg.
FD 3000 025	25	120	95	3.82
FD 3000 032	32	134	102	4.00
FD 3000 038	38	146	108	4.47
FD 3000 050	50	170	120	4.81
FD 3000 063	63.5	197	133.5	5.25
FD 3000 080	80	230	150	5.77
FD 3000 100	100	270	170	5.73
FD 3000 125	125	320	195	6.42

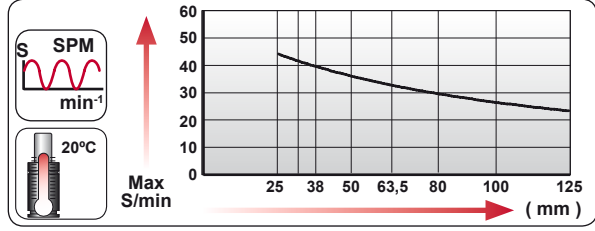


CODE	Pressure (bar/psi)	F <sub>0</sub> (daN)	F <sub>1</sub> (daN)
FD 3000 050	150 / 2175	2945	4340
FD-H 3000 050	0 / 0	---	---



ENG ORDER  
 DEU BESTELLUNG  
 FRA COMMANDE  
 ITA ORDINE  
 ESP PEDIDO  
 POR PEDIDO

FD 3000 50  
**FD 3000 050**



N<sub>2</sub>

S<sub>max</sub> < 90%

V<sub>max</sub> 1,6 m/s

P<sub>min</sub> (20°C)  
P<sub>max</sub> (20°C)

T<sub>min</sub>  
T<sub>max</sub>

600 CP-

N <sub>2</sub>	S <sub>max</sub> < 90%	V <sub>max</sub> 1,6 m/s	bar psi	bar psi	°C °F	°C °F	600 CP-
			20 290	150 2175	0 32	80 176	

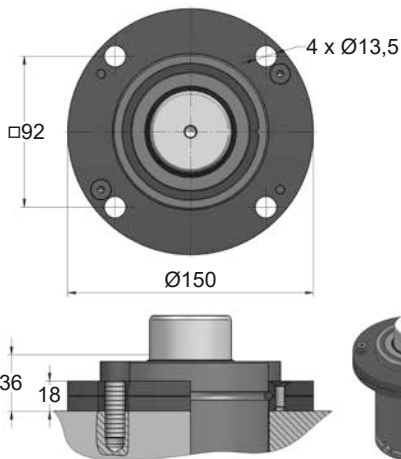


# FD 3000 MOUNTS

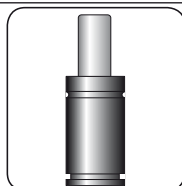
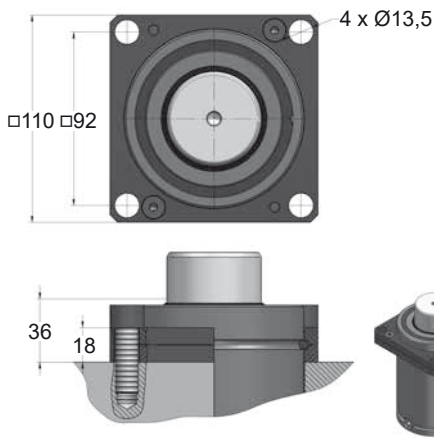
Low Profile

s mm Ø mm L1 mm	50 Ø95 L1=158 L1=162	50 Ø95 L1=170 L1=170	50 Ø95 L1=195 L1=205 L1=220	50 Ø95 L1=220	50 Ø95 L1=215	50 Ø95 L1=255		
MODEL	<b>X</b> CW 4200 KZ 4200	<b>X</b>	CK 4000 FD 3000	GN 3000 CM 4000 CD 4200	AG 3000	CP 8000	CS 7500	
SERIES	MINI 	COMPACT HEIGHT 	THREADED 	LOW PROFILE 	HEAVY DUTY 	ISO 	HEAVY LOAD 	POWER COMPACT STROKE 

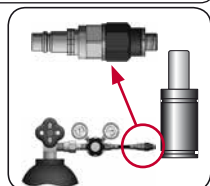
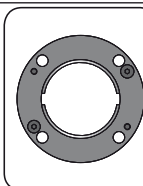
## A14-095



## A34-095



SEAL KIT S-XXXXXXX  
 CARTRIDGE KIT C-XXXXXXX



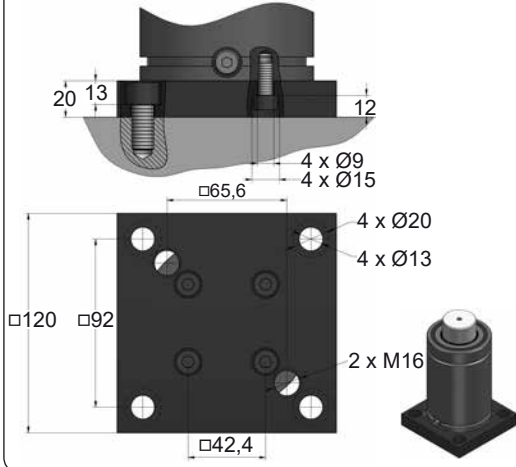
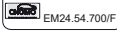
CODE	FD 3000 050	KIT S-XXXXXXX KIT C-XXXXXXX	A14-095	18 CG 1-Q
ENG ORDER	GAS SPRING	REPAIR KIT	FLANGE	CHARGING ADAPTER
DEU BESTELLUNG	GASDRUCKFEDER	ERSATZTEILSATZ	FLANSCHEN	LADEADAPTER
FRA COMMANDE	RESSORT À GAZ	KIT DE RÉPARATION	BRIDE	RACCORD DE CHARGE
ITA ORDINE	CILINDRO AD AZOTO	KIT DI MANUTENZIONE	FLANGE	ADATTATORE DI CARICO
ESP PEDIDO	RESORTE DE GAS	KIT DE REPARACION	BRIDA	ADAPTADOR DE CARGA
POR PEDIDO	CILINDRO DE GÁS	KIT DE MANUTENÇÃO	FLANGE	ADAPTADOR DE CARGA

# FD 3000 MOUNTS

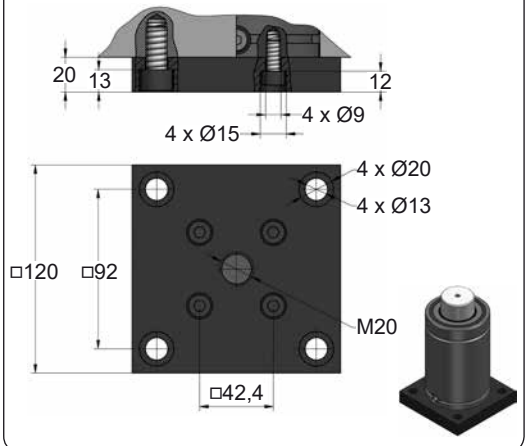


Low Profile

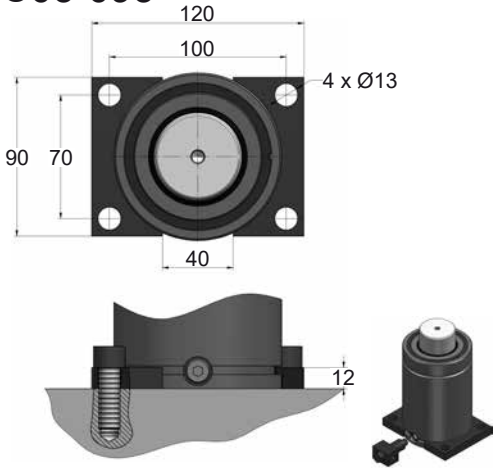
## B21-095



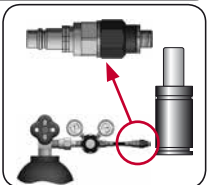
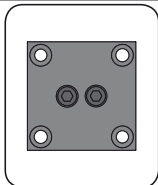
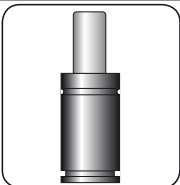
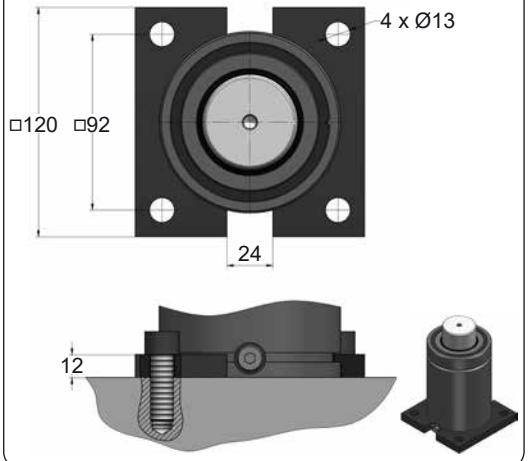
## B76-095



## C05-095



## C20-095



CODE	FD 3000 050	KIT S-XXXXXXX KIT C-XXXXXXX	B21-095	18 CG 1-Q
ENG ORDER	GAS SPRING	REPAIR KIT	FLANGE	CHARGING ADAPTER
DEU BESTELLUNG	GASDRUCKFEDER	ERSATZTEILSATZ	FLANSCHEN	LADEADAPTER
FRA COMMANDE	RESSORT À GAZ	KIT DE RÉPARATION	BRIDE	RACCORD DE CHARGE
ITA ORDINE	CILINDRO AD AZOTO	KIT DI MANUTENZIONE	FLANGE	ADATTATORE DI CARICO
ESP PEDIDO	RESORTE DE GAS	KIT DE REPARACION	BRIDA	ADAPTADOR DE CARGA
POR PEDIDO	CILINDRO DE GAS	KIT DE MANUTENÇÃO	FLANGE	ADAPTADOR DE CARGA



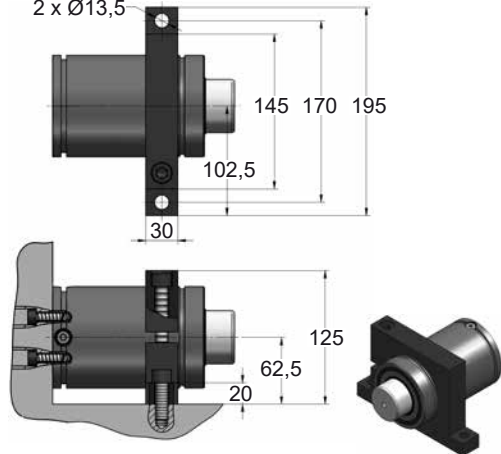
# FD 3000 MOUNTS

Low Profile

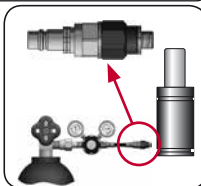
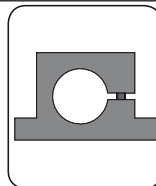
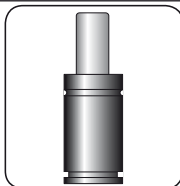
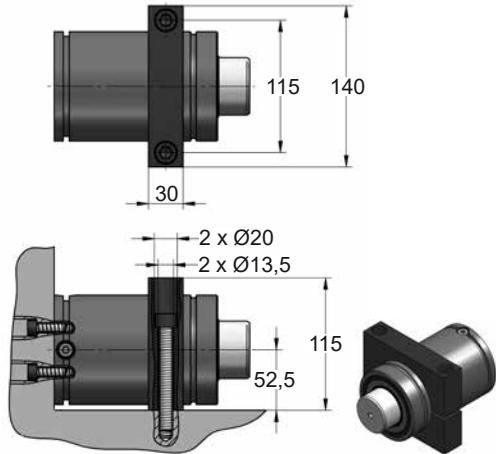
## D02-095



2 x Ø13,5



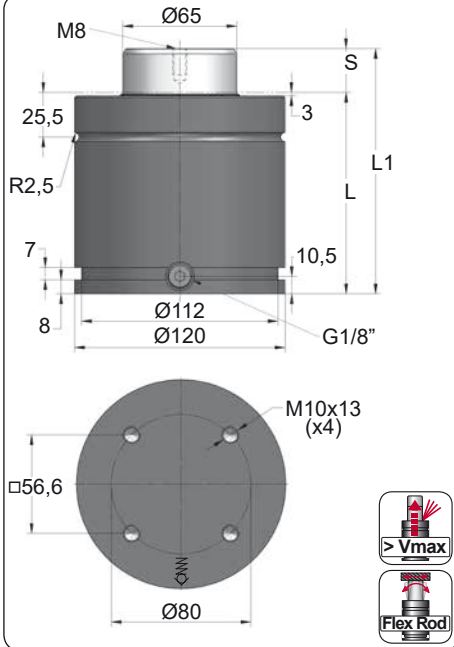
## D67-095



CODE	FD 3000 050	KIT S-XXXXXXX KIT C-XXXXXXX	D02-095	18 CG 1-Q
ENG	ORDER	GAS SPRING	FLANGE	CHARGING ADAPTER
DEU	BESTELLUNG	GASDRUCKFEDER	FLANSCHEN	LADEADAPTER
FRA	COMMANDE	RESSORT À GAZ	BRIDE	RACCORD DE CHARGE
ITA	ORDINE	CILINDRO AD AZOTO	FLANGE	ADATTATORE DI CARICO
ESP	PEDIDO	RESORTE DE GAS	BRIDA	ADAPTADOR DE CARGA
POR	PEDIDO	CILINDRO DE GÁS	FLANGE	ADAPTADOR DE CARGA

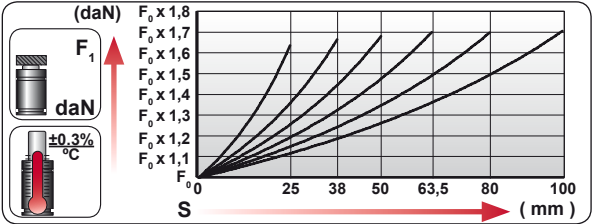
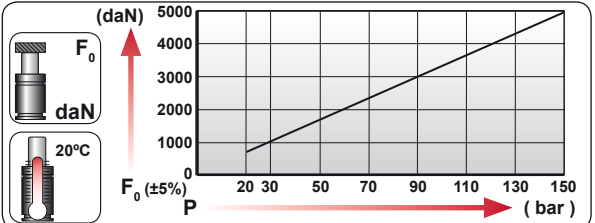
# FD 5000 V1

Low Profile



ORDER	S (mm)	L1 ±0,25 (mm)	L (mm)	Kg.
FD 5000 025 V1	25	140	115	7.57
FD 5000 038 V1	38	166	128	8.10
FD 5000 050 V1	50	190	140	8.59
FD 5000 063 V1	63.5	217	153.5	9.12
FD 5000 080 V1	80	250	170	9.81
FD 5000 100 V1	100	290	190	10.62

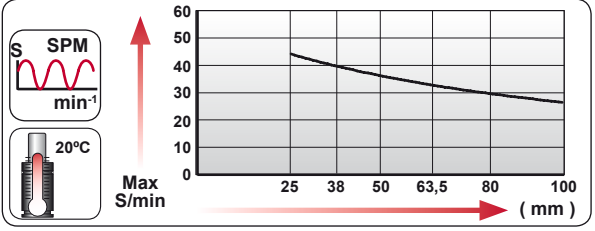
CODE				
	bar	psi	daN	daN
FD 5000 050 V1	150	2175	4980	8365
FD-H 5000 050 V1	0	0	---	---



ENG ORDER  
 DEU BESTELLUNG  
 FRA COMMANDE  
 ITA ORDINE  
 ESP PEDIDO  
 POR PEDIDO

$F_0$  daN  
 S mm

**FD 5000 50**  
**FD 5000 050 V1**



**N<sub>2</sub>**

**S<sub>max</sub> < 90%**

**V<sub>max</sub> 1,6 m/s**

**P<sub>min</sub> (20°C)**  
**P<sub>max</sub> (20°C)**

**T<sub>min</sub>**  
**T<sub>max</sub>**

**600 CP-**

N <sub>2</sub>	S <sub>max</sub> < 90%	V <sub>max</sub> 1,6 m/s	bar psi	bar psi	°C °F	°C °F	600 CP-
			20 290	150 2175	0 32	80 176	



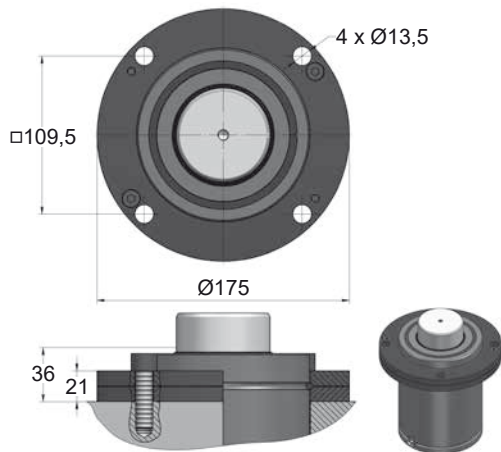


# FD 5000 V1 MOUNTS

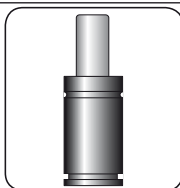
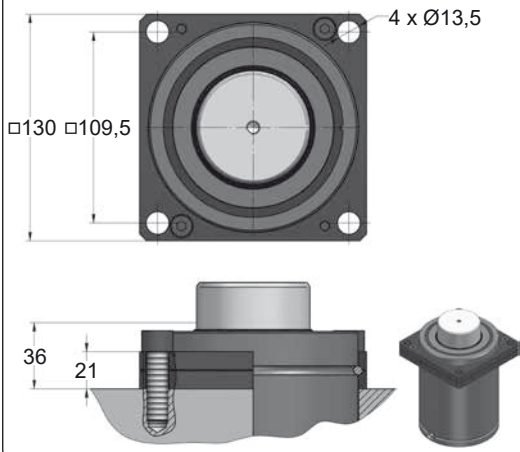
Low Profile

  	 Ø120 L1=168 L1=172	 Ø120 L1=190	 Ø120 L1=202 L1=215 L1=240	 Ø120 L1=240	 Ø120 L1=260			
MODEL	X CW 6600 KZ 6600	X	FD 5000	GN 5000 CM 6500 CD 6600	AG 5000	X	CS 11800	
SERIES	MINI 	COMPACT HEIGHT 	THREADED 	LOW PROFILE 	HEAVY DUTY 	ISO 	HEAVY LOAD 	POWER COMPACT STROKE 

## A14-120

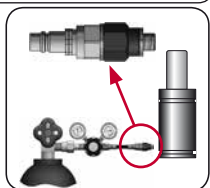
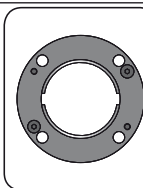


## A34-120



SEAL  
KIT S-XXXXXXX

CARTRIDGE  
KIT C-XXXXXXX


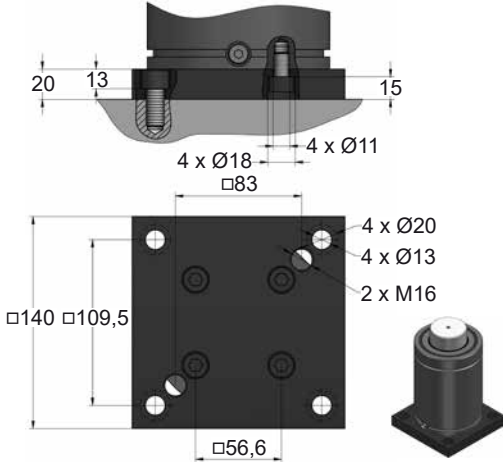


CODE	FD 5000 050 V1	KIT S-XXXXXXX KIT C-XXXXXXX	A14-120	18 CG 1-Q
ENG ORDER	GAS SPRING	REPAIR KIT	FLANGE	CHARGING ADAPTER
DEU BESTELLUNG	GASDRUCKFEDER	ERSATZTEILSATZ	FLANSCHEN	LADEADAPTER
FRA COMMANDE	RESSORT À GAZ	KIT DE RÉPARATION	BRIDE	RACCORD DE CHARGE
ITA ORDINE	CILINDRO AD AZOTO	KIT DI MANUTENZIONE	FLANGE	ADATTATORE DI CARICO
ESP PEDIDO	RESORTE DE GAS	KIT DE REPARACION	BRIDA	ADAPTADOR DE CARGA
POR PEDIDO	CILINDRO DE GÁS	KIT DE MANUTENÇÃO	FLANGE	ADAPTADOR DE CARGA

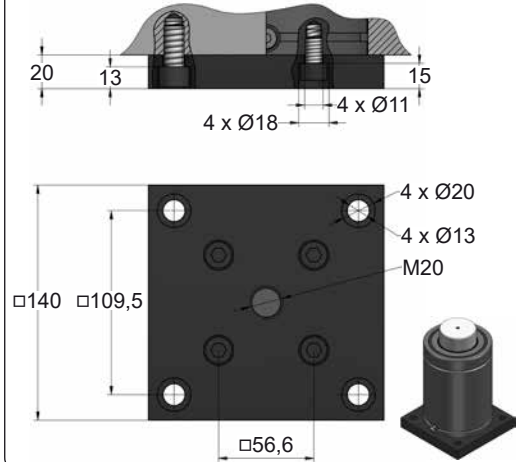
# FD 5000 V1 MOUNTS

**AZOL  
GAS**
*Low Profile*

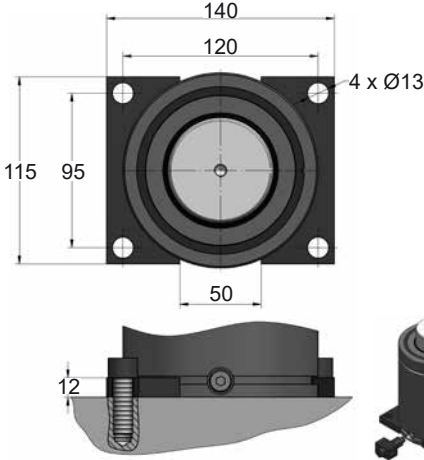
## B21-120

 EM24.54.700/F


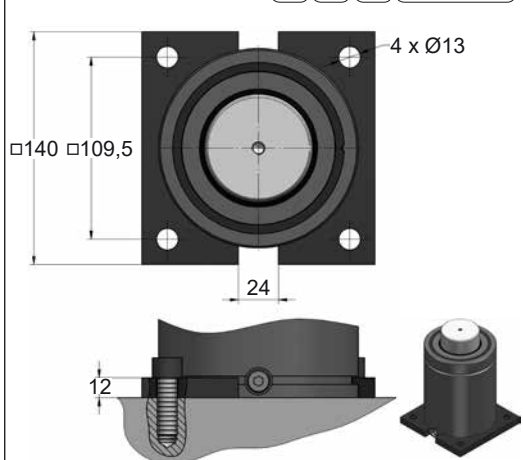
## B76-120

   EM24.54.700/F


## C05-120

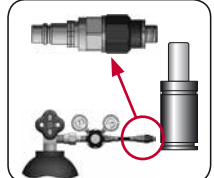
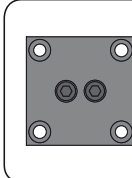


## C20-120

    E24.54.815.G  
EM24.54.700/F


**SEAL  
KIT S-XXXXXXX**

**CARTRIDGE  
KIT C-XXXXXXX**



CODE	FD 5000 050 V1	KIT S-XXXXXXX KIT C-XXXXXXX	B21-120	18 CG 1-Q
ENG ORDER	GAS SPRING	REPAIR KIT	FLANGE	CHARGING ADAPTER
DEU BESTELLUNG	GASDRUCKFEDER	ERSATZTEILSATZ	FLANSCHEN	LADEADAPTER
FRA COMMANDE	RESSORT À GAZ	KIT DE RÉPARATION	BRIDE	RACCORD DE CHARGE
ITA ORDINE	CILINDRO AD AZOTO	KIT DI MANUTENZIONE	FLANGE	ADATTATORE DI CARICO
ESP PEDIDO	RESORTE DE GAS	KIT DE REPARACION	BRIDA	ADAPTADOR DE CARGA
POR PEDIDO	CILINDRO DE GÁS	KIT DE MANUTENÇÃO	FLANGE	ADAPTADOR DE CARGA

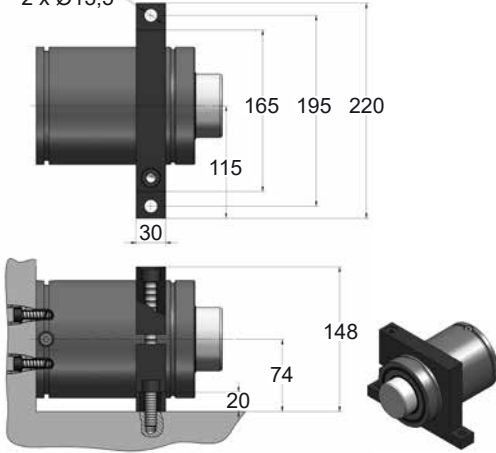
# FD 5000 V1 MOUNTS

Low Profile

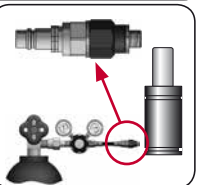
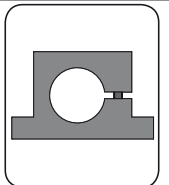
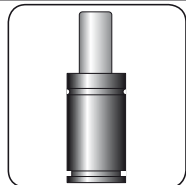
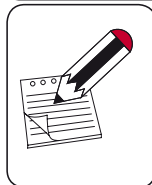
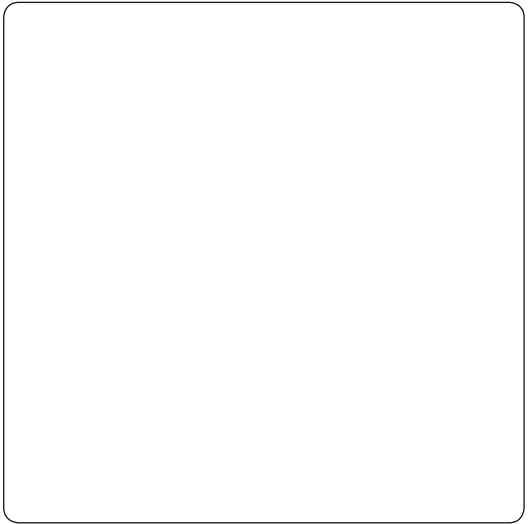
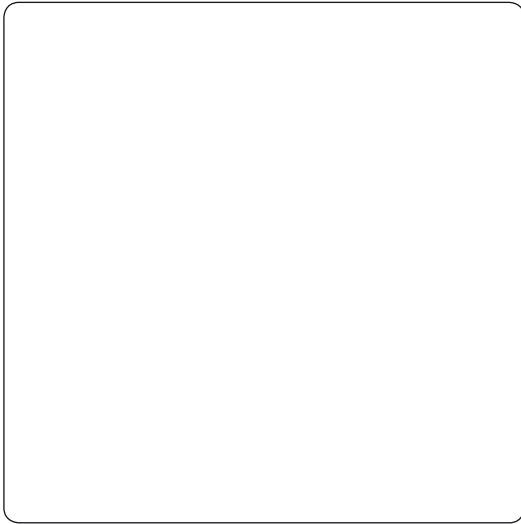
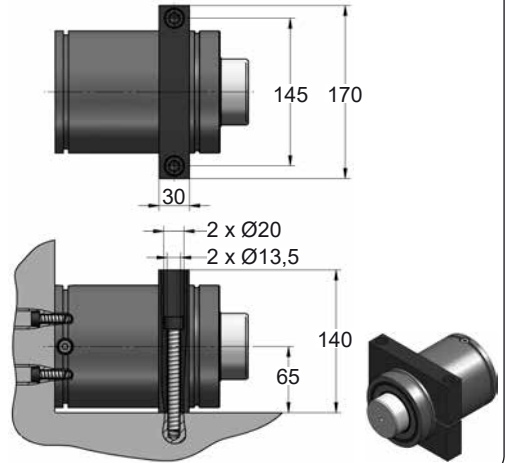


## D02-120

2 x Ø13,5



## D67-120



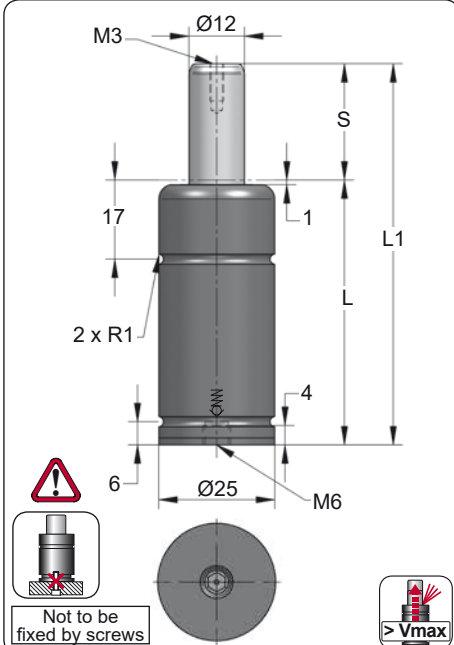
CODE	FD 5000 050 V1	KIT S-XXXXXXX KIT C-XXXXXXX	D02-120	18 CG 1-Q
ENG ORDER	GAS SPRING	REPAIR KIT	FLANGE	CHARGING ADAPTER
DEU BESTELLUNG	GASDRUCKFEDER	ERSATZTEILSATZ	FLANSCHEN	LADEADAPTER
FRA COMMANDE	RESSORT À GAZ	KIT DE RÉPARATION	BRIDE	RACCORD DE CHARGE
ITA ORDINE	CILINDRO AD AZOTO	KIT DI MANUTENZIONE	FLANGE	ADATTATORE DI CARICO
ESP PEDIDO	RESORTE DE GAS	KIT DE REPARACION	BRIDA	ADAPTADOR DE CARGA
POR PEDIDO	CILINDRO DE GÁS	KIT DE MANUTENÇÃO	FLANGE	ADAPTADOR DE CARGA





# CK 200 V1

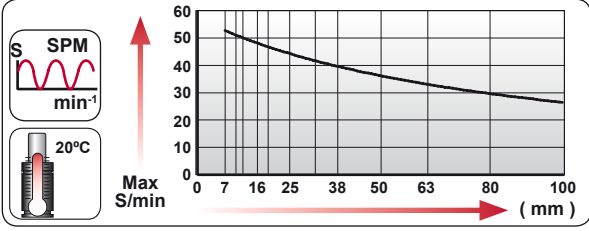
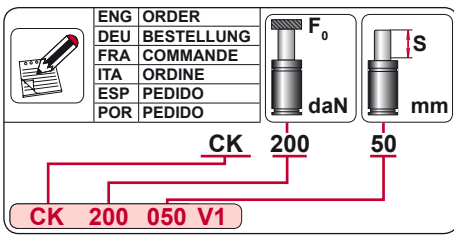
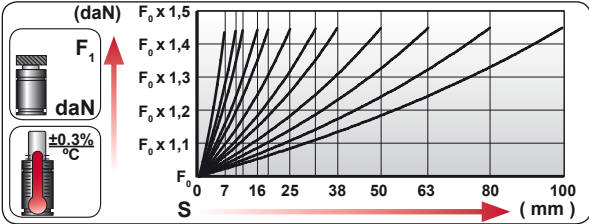
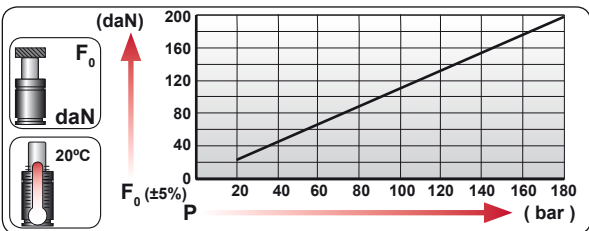
Low Profile



ORDER	S (mm)	L1 ±0,25 (mm)	L (mm)	Kg.
CK 200 007 V1	7	46	39	0.31
CK 200 010 V1	10	52	42	0.33
CK 200 012 V1	12	56	44	0.33
CK 200 016 V1	16	64	48	0.35
CK 200 019 V1	19	70	51	0.14
CK 200 025 V1	25	82	57	0.39
CK 200 032 V1	32	96	64	0.17
CK 200 038 V1	38	108	70	0.45
CK 200 050 V1	50	132	82	0.51
CK 200 063 V1	63	158	95	0.57
CK 200 080 V1	80	192	112	0.64
CK 200 100 V1	100	232	132	0.73



CODE	Pressure Gauge	bar	psi	F <sub>0</sub> daN	F <sub>1</sub> daN
CK 200 050 V1		170	2465	190	280
-----	-----	-----	-----	-----	-----



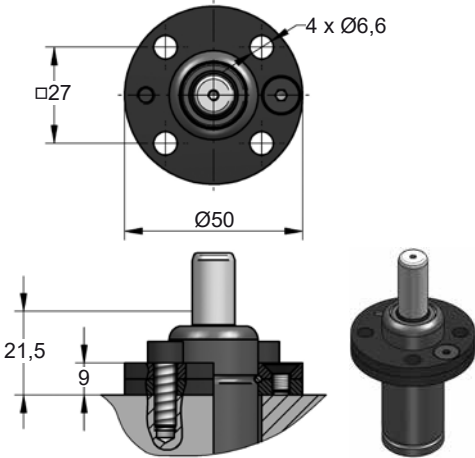
N <sub>2</sub>	Smax < 90%	Vmax 1,6 m/s	bar psi	bar psi	°C °F	°C °F	<b>X</b>
			20 290	180 2610	0 32	80 176	



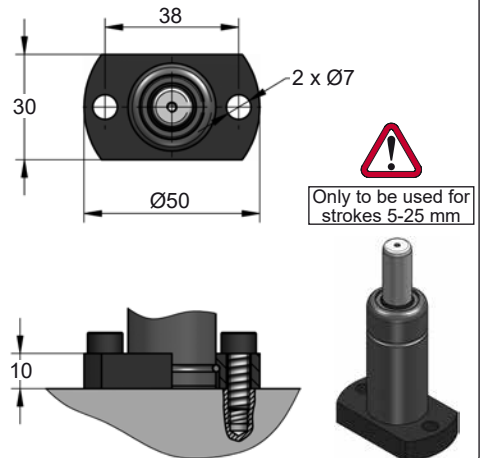
# CK 200 V1 MOUNTS

Low Profile

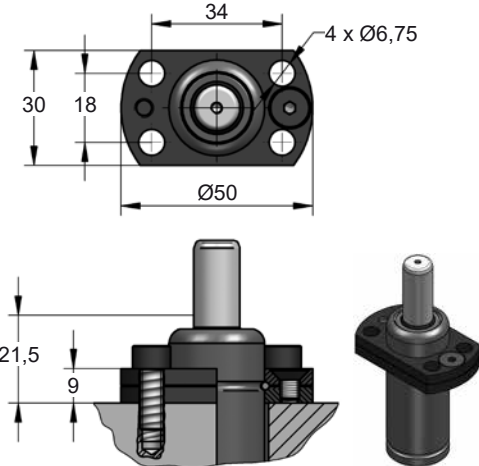
## A14-025



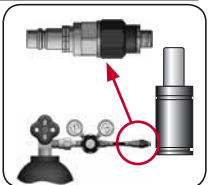
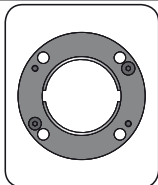
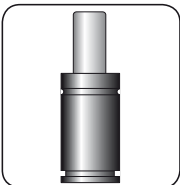
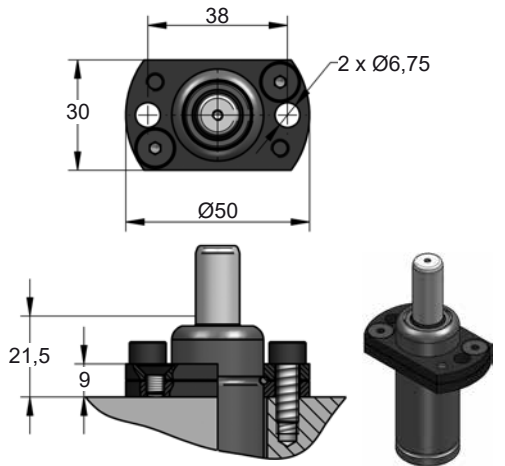
## A19-025



## A44-025



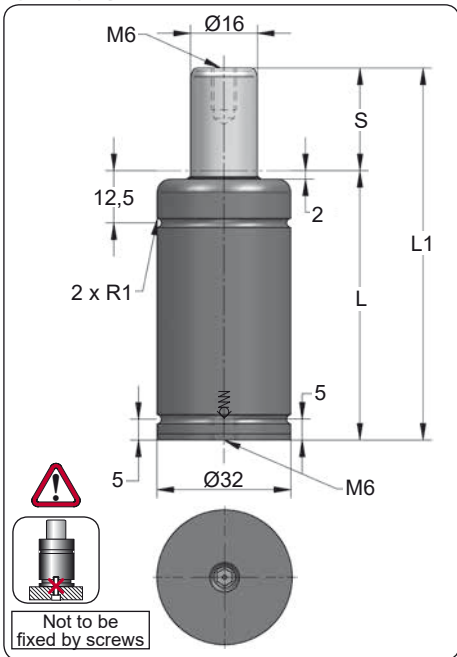
## A49-025



CODE	CK 200 050 V1	<b>X</b>	A14-025	06 CG 2-Q
ENG ORDER	GAS SPRING	REPAIR KIT	FLANGE	CHARGING ADAPTER
DEU BESTELLUNG	GASDRUCKFEDER	ERSATZTEILSATZ	FLANSCHEN	LADEADAPTER
FRA COMMANDE	RESSORT À GAZ	KIT DE RÉPARATION	BRIDE	RACCORD DE CHARGE
ITA ORDINE	CILINDRO AD AZOTO	KIT DI MANUTENZIONE	FLANGE	ADATTATORE DI CARICO
ESP PEDIDO	RESORTE DE GAS	KIT DE REPARACION	BRIDA	ADAPTADOR DE CARGA
POR PEDIDO	CILINDRO DE GAS	KIT DE MANUTENÇÃO	FLANGE	ADAPTADOR DE CARGA

# CK 300 V1

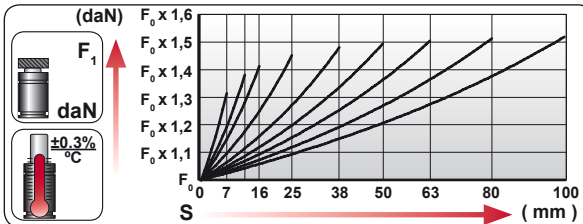
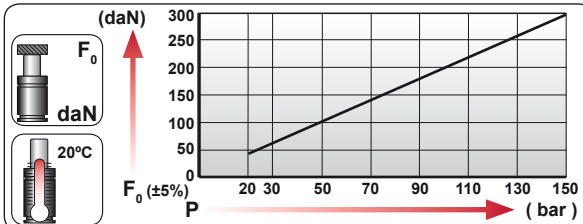
Low Profile



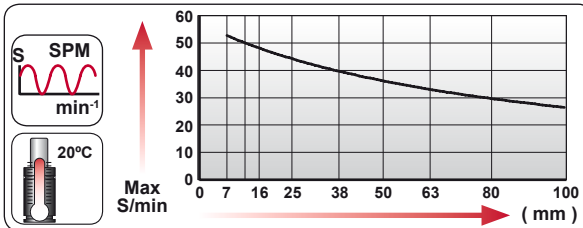
ORDER	S (mm)	L1 ±0,25 (mm)	L (mm)	Kg.
CK 300 007 V1	7	53	46	0.21
CK 300 012 V1	12	63	51	0.23
CK 300 016 V1	16	71	55	0.25
CK 300 025 V1	25	89	64	0.28
CK 300 038 V1	38	115	77	0.33
CK 300 050 V1	50	139	89	0.38
CK 300 063 V1	63	165	102	0.43
CK 300 080 V1	80	199	119	0.50
CK 300 100 V1	100	239	139	0.57



CODE				
		bar psi	daN	daN
CK 300 050 V1		150 2175	300	460
-----		---	---	---



	ENG ORDER DEU BESTELLUNG FRA COMMANDE ITA ORDINE ESP PEDIDO POR PEDIDO		
		daN	mm
	CK 300 50		
	CK 300 050 V1		

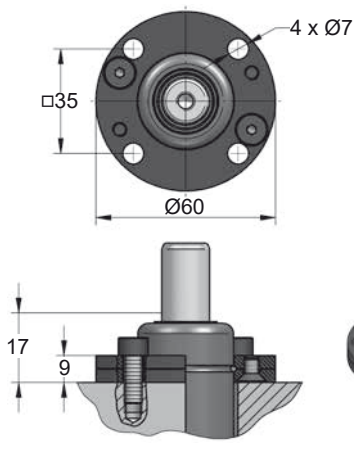


N <sub>2</sub>	S <sub>max</sub> < 90%	V <sub>max</sub> 1,6 m/s	P <sub>min</sub> (20°C)	P <sub>max</sub> (20°C)	T <sub>min</sub>	T <sub>max</sub>	

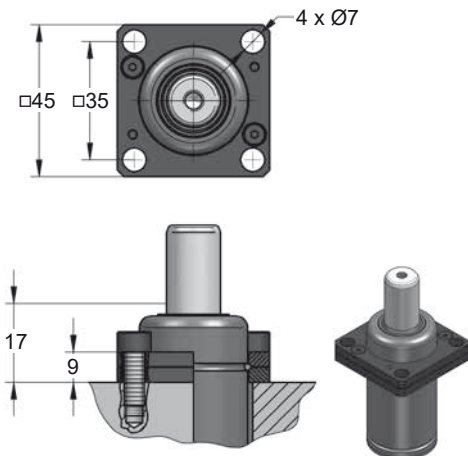
bar psi	bar psi	°C °F	°C °F	
20 290	150 2175	0 32	80 176	



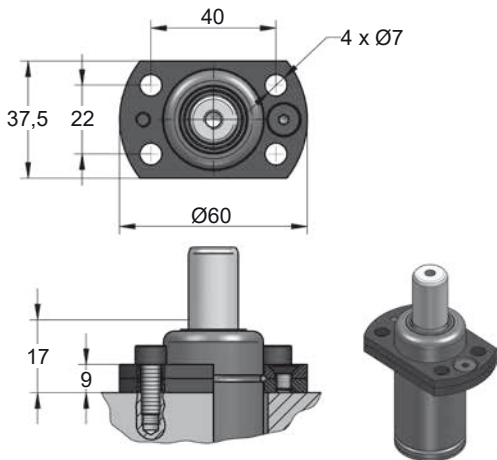
## A14-032



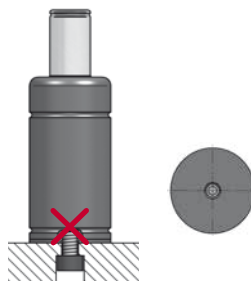
## A34-032



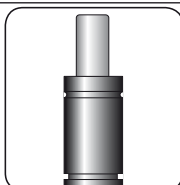
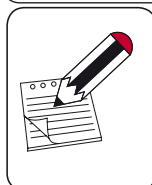
## A44-032



## Single base thread



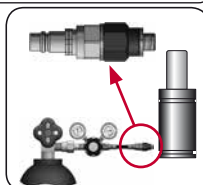
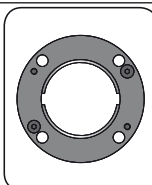
Gas springs with only a single base thread should not be mounted by screws.



SEAL  
KIT S-XXXXXXX



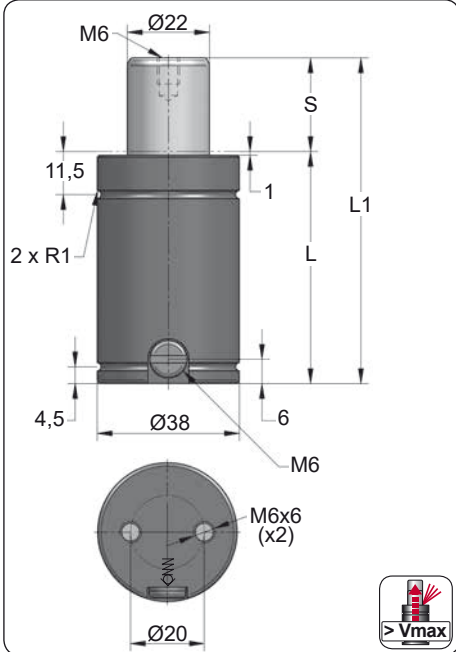
CARTRIDGE  
KIT C-XXXXXXX



CODE	CK 300 050 V1	<b>X</b>	A14-032	06 CG 2-Q
ENG ORDER	GAS SPRING	REPAIR KIT	FLANGE	CHARGING ADAPTER
DEU BESTELLUNG	GASDRUCKFEDER	ERSATZTEILSATZ	FLANSCHEN	LADEADAPTER
FRA COMMANDE	RESSORT À GAZ	KIT DE RÉPARATION	BRIDE	RACCORD DE CHARGE
ITA ORDINE	CILINDRO AD AZOTO	KIT DI MANUTENZIONE	FLANGE	ADATTATORE DI CARICO
ESP PEDIDO	RESORTE DE GAS	KIT DE REPARACION	BRIDA	ADAPTADOR DE CARGA
POR PEDIDO	CILINDRO DE GAS	KIT DE MANUTENÇÃO	FLANGE	ADAPTADOR DE CARGA

# CK 570 V1

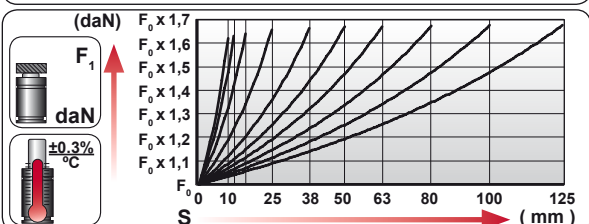
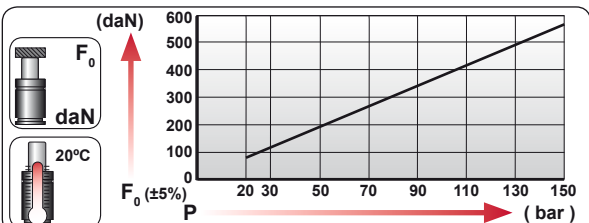
Low Profile



ORDER	S (mm)	L1 ±0,25 (mm)	L (mm)	Kg.
CK 570 010 V1	10	57	47	0.33
CK 570 012 V1	12	61	49	0.33
CK 570 016 V1	16	69	53	0.35
CK 570 025 V1	25	87	62	0.39
CK 570 038 V1	38	113	75	0.45
CK 570 050 V1	50	137	87	0.51
CK 570 063 V1	63	163	100	0.57
CK 570 080 V1	80	197	117	0.64
CK 570 100 V1	100	237	137	0.73
CK 570 125 V1	125	287	162	0.85

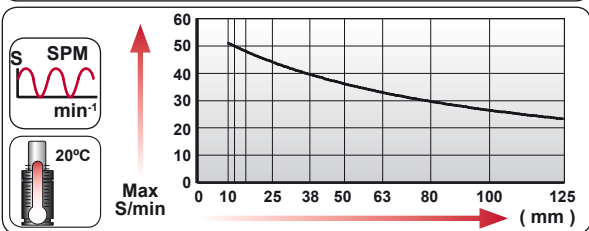


CODE	Pressure (bar/psi)	F <sub>0</sub> (daN)	F <sub>1</sub> (daN)
CK 570 050 V1	150 / 2175	570	915
CK-H 570 050 V1	0 / 0	---	---



ENG ORDER  
 DEU BESTELLUNG  
 FRA COMMANDE  
 ITA ORDINE  
 ESP PEDIDO  
 POR PEDIDO

CK 570 50  
 CK 570 050 V1



N<sub>2</sub>      Smax < 90%      Vmax 1,6 m/s      Pmin (20°C)      Pmax (20°C)      Tmin      Tmax      600 CP-

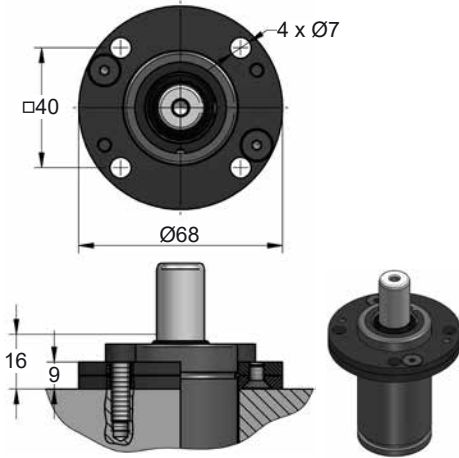
bar	psi	bar	psi	°C	°F	°C	°F
20	290	150	2175	0	32	80	176



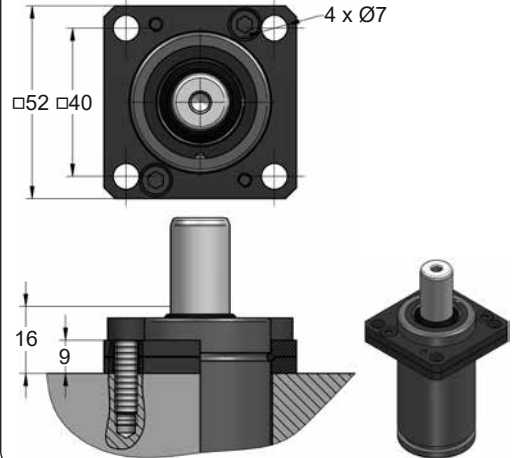
# CK 570 V1 MOUNTS

Low Profile

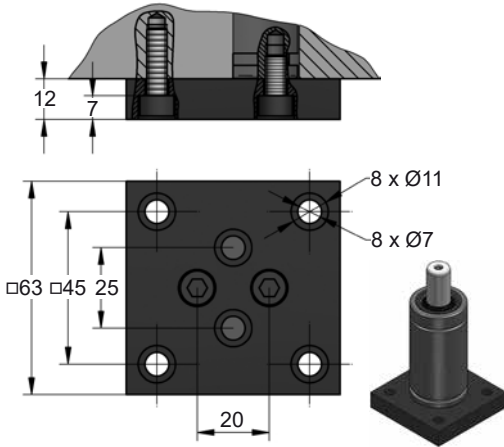
## A14-038



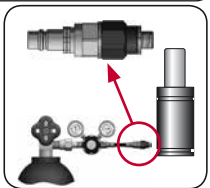
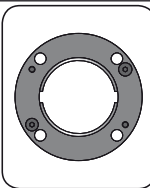
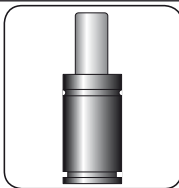
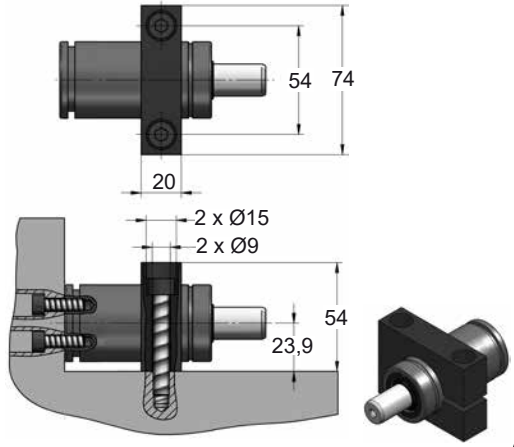
## A34-038



## B76-038



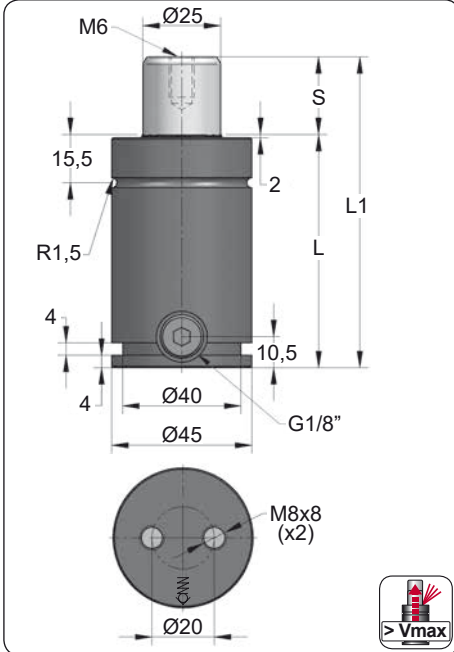
## D67-038



CODE	CK 570 050 V1	KIT S-XXXXXXX KIT C-XXXXXXX	A14-038	06 CG 2-Q
ENG ORDER	GAS SPRING	REPAIR KIT	FLANGE	CHARGING ADAPTER
DEU BESTELLUNG	GASDRUCKFEDER	ERSATZTEILSATZ	FLANSCHEN	LADEADAPTER
FRA COMMANDE	RESSORT À GAZ	KIT DE RÉPARATION	BRIDE	RACCORD DE CHARGE
ITA ORDINE	CILINDRO AD AZOTO	KIT DI MANUTENZIONE	FLANGE	ADATTATORE DI CARICO
ESP PEDIDO	RESORTE DE GAS	KIT DE REPARACION	BRIDA	ADAPTADOR DE CARGA
POR PEDIDO	CILINDRO DE GAS	KIT DE MANUTENÇÃO	FLANGE	ADAPTADOR DE CARGA

# CK 750 V1

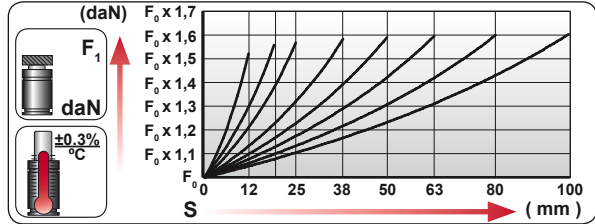
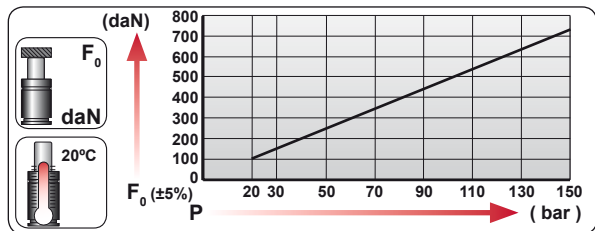
Low Profile



ORDER	S (mm)	L1 ±0,25 (mm)	L (mm)	Kg.
CK 750 012 V1	12	74	62	0.58
CK 750 019 V1	19	88	69	0.62
CK 750 025 V1	25	100	75	0.66
CK 750 038 V1	38	126	88	0.74
CK 750 050 V1	50	150	100	0.81
CK 750 063 V1	63	176	113	0.89
CK 750 080 V1	80	210	130	1.00
CK 750 100 V1	100	250	150	1.12



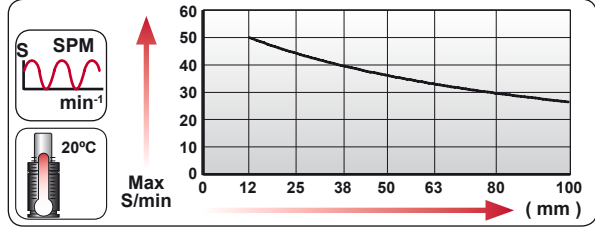
CODE				
		bar	psi	daN
CK 750 050 V1		150	2175	740
CK-H 750 050 V1		0	0	---



ENG ORDER  
 DEU BESTELLUNG  
 FRA COMMANDE  
 ITA ORDINE  
 ESP PEDIDO  
 POR PEDIDO

**F<sub>0</sub>** daN  
**S** mm

**CK 750 50**  
**CK 750 050 V1**



**N<sub>2</sub>**

**S<sub>max</sub> < 90%**

**V<sub>max</sub> 1,6 m/s**

**P<sub>min</sub> (20°C)**

**P<sub>max</sub> (20°C)**

**T<sub>min</sub>**

**T<sub>max</sub>**

**600 CP-**

<b>N<sub>2</sub></b>	<b>S<sub>max</sub> &lt; 90%</b>	<b>V<sub>max</sub> 1,6 m/s</b>	bar psi	bar psi	°C °F	°C °F	<b>600 CP-</b>
			20 290	150 2175	0 32	80 176	

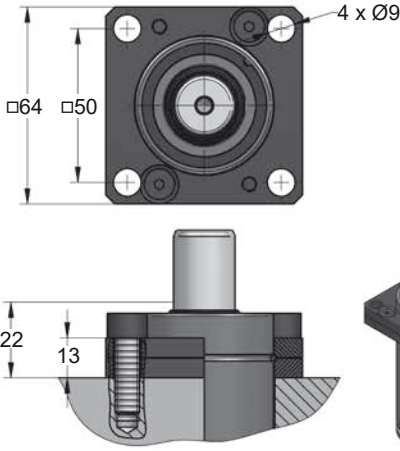


# CK 750 V1 MOUNTS

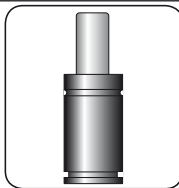
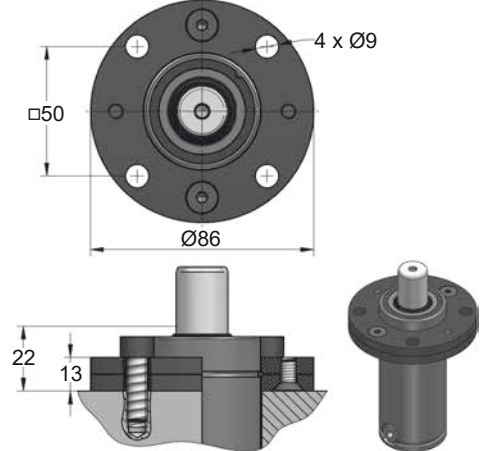
Low Profile

MODEL	<b>X</b>	CW 750 KZ 750	<b>X</b>	<b>CK 750</b> FD 500	CM 600 CD 700	AG 500	CPH 1250	<b>X</b>
SERIES	MINI 	COMPACT HEIGHT 	THREADED 	LOW PROFILE 	HEAVY DUTY 	ISO 	HEAVY LOAD 	POWER COMPACT STROKE 

## A69-045

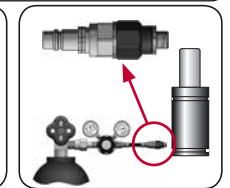
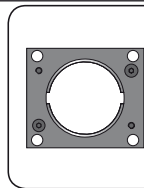


## A74-045



SEAL  
KIT S-XXXXXXX

CARTRIDGE  
KIT C-XXXXXXX



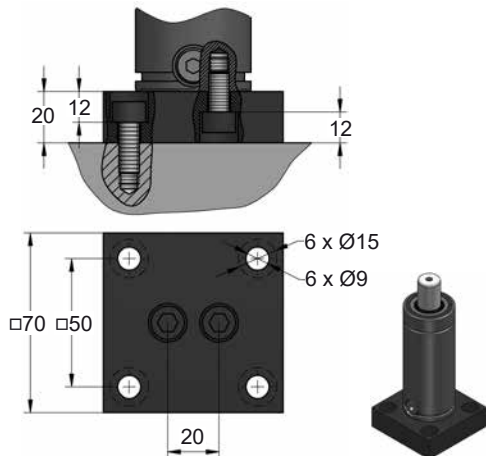
CODE	<b>CK 750 050 V1</b>	<b>KIT S-XXXXXXX</b> <b>KIT C-XXXXXXX</b>	<b>A69-045</b>	<b>18 CG 1-Q</b>
ENG ORDER	GAS SPRING	REPAIR KIT	FLANGE	CHARGING ADAPTER
DEU BESTELLUNG	GASDRUCKFEDER	ERSATZTEILSATZ	FLANSCHEN	LADEADAPTER
FRA COMMANDE	RESSORT À GAZ	KIT DE RÉPARATION	BRIDE	RACCORD DE CHARGE
ITA ORDINE	CILINDRO AD AZOTO	KIT DI MANUTENZIONE	FLANGE	ADATTATORE DI CARICO
ESP PEDIDO	RESORTE DE GAS	KIT DE REPARACION	BRIDA	ADAPTADOR DE CARGA
POR PEDIDO	CILINDRO DE GAS	KIT DE MANUTENÇÃO	FLANGE	ADAPTADOR DE CARGA

# CK 750 V1 MOUNTS

Low Profile

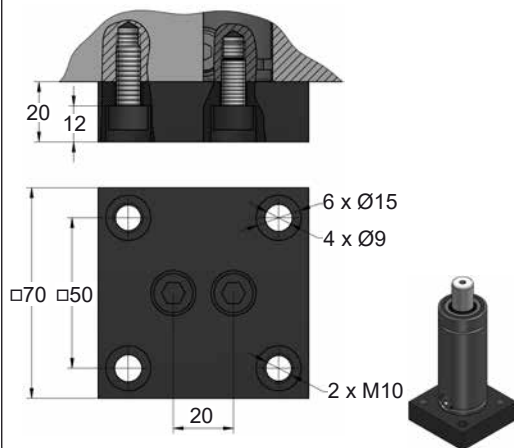
**AZOL**  
**GAS**

## B21-045

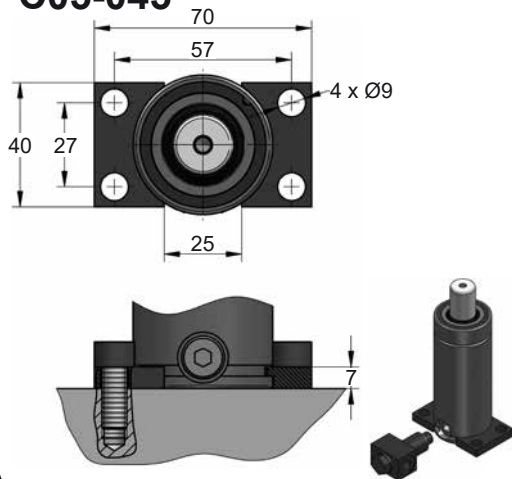


## B76-045

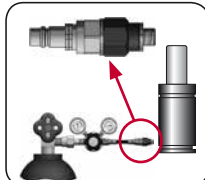
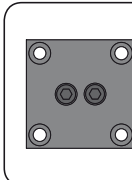
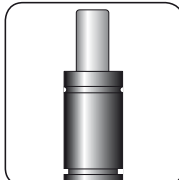
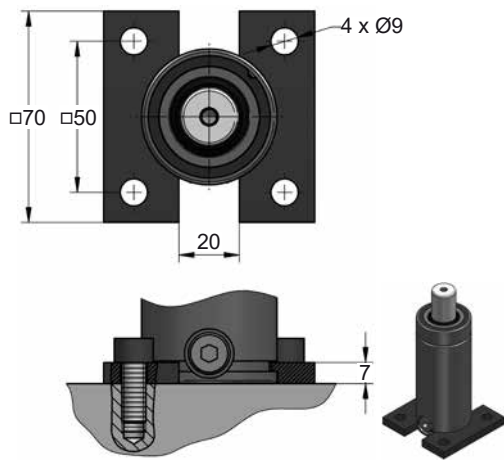
E24.54.815.G



## C05-045



## C20-045

 E24.54.815.G  
EM24.54.700/F


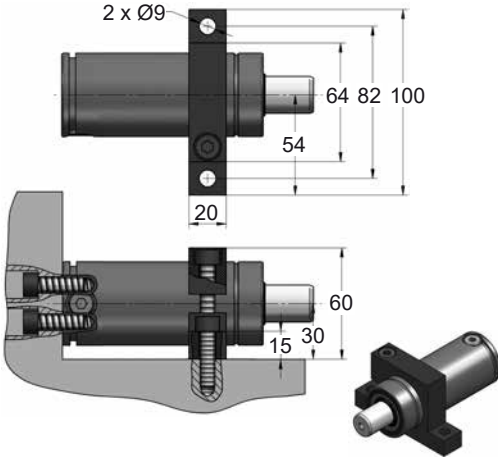
CODE	CK 750 050 V1	KIT S-XXXXXXX KIT C-XXXXXXX	B21-045	18 CG 1-Q	
ENG	ORDER	GAS SPRING	REPAIR KIT	FLANGE	CHARGING ADAPTER
DEU	BESTELLUNG	GASDRUCKFEDER	ERSATZTEILSATZ	FLANSCHEN	LADEADAPTER
FRA	COMMANDE	RESSORT À GAZ	KIT DE RÉPARATION	BRIDE	RACCORD DE CHARGE
ITA	ORDINE	CILINDRO AD AZOTO	KIT DI MANUTENZIONE	FLANGE	ADATTATORE DI CARICO
ESP	PEDIDO	RESORTE DE GAS	KIT DE REPARACION	BRIDA	ADAPTADOR DE CARGA
POR	PEDIDO	CILINDRO DE GÁS	KIT DE MANUTENÇÃO	FLANGE	ADAPTADOR DE CARGA



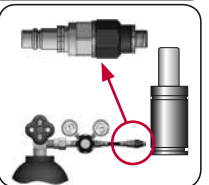
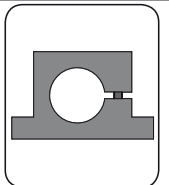
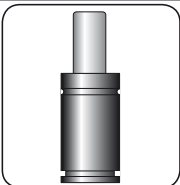
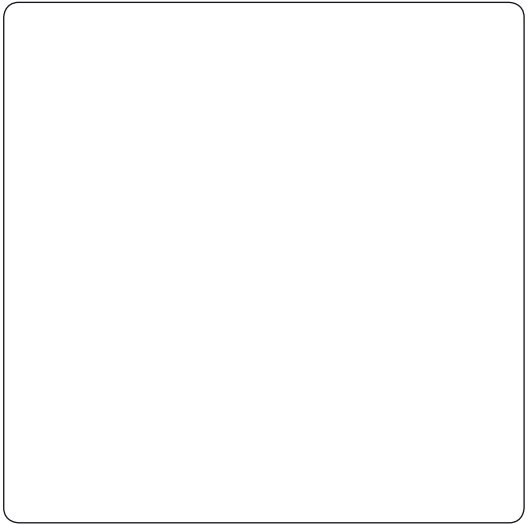
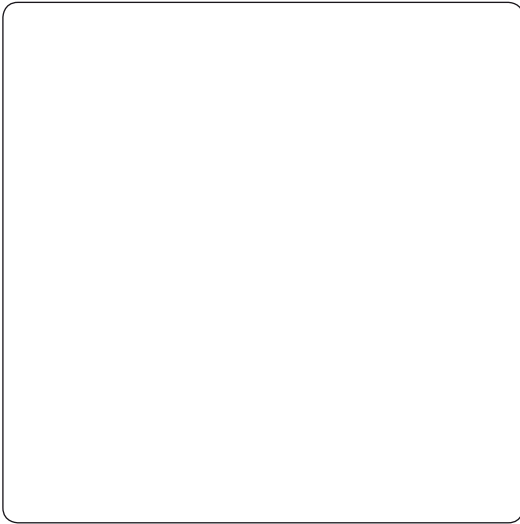
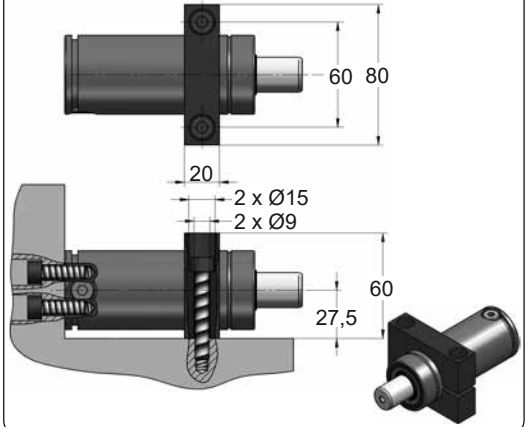
# CK 750 V1 MOUNTS

Low Profile

## D02-045



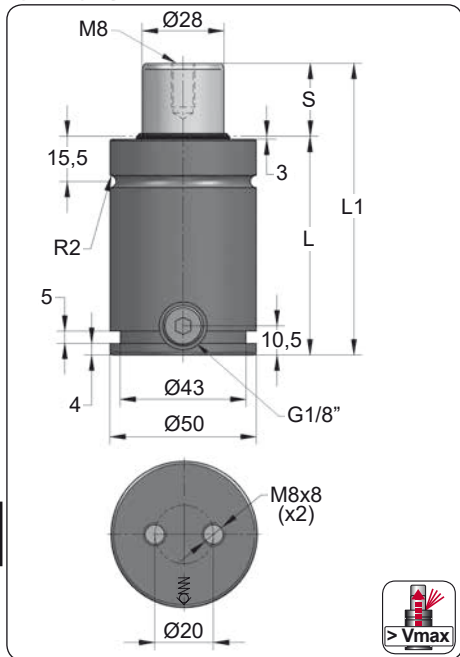
## D67-045



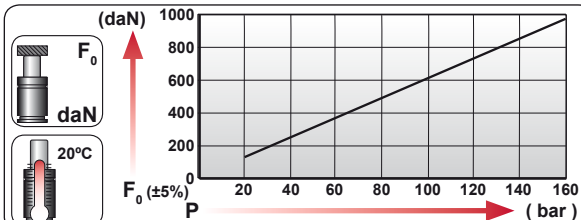
CODE	CK 750 050 V1	KIT S-XXXXXXX KIT C-XXXXXXX	D02-045	18 CG 1-Q
ENG ORDER	GAS SPRING	REPAIR KIT	FLANGE	CHARGING ADAPTER
DEU BESTELLUNG	GASDRUCKFEDER	ERSATZTEILSATZ	FLANSCHEN	LADEADAPTER
FRA COMMANDE	RESSORT À GAZ	KIT DE RÉPARATION	BRIDE	RACCORD DE CHARGE
ITA ORDINE	CILINDRO AD AZOTO	KIT DI MANUTENZIONE	FLANGE	ADATTATORE DI CARICO
ESP PEDIDO	RESORTE DE GAS	KIT DE REPARACION	BRIDA	ADAPTADOR DE CARGA
POR PEDIDO	CILINDRO DE GÁS	KIT DE MANUTENÇÃO	FLANGE	ADAPTADOR DE CARGA

# CK 1000 V1

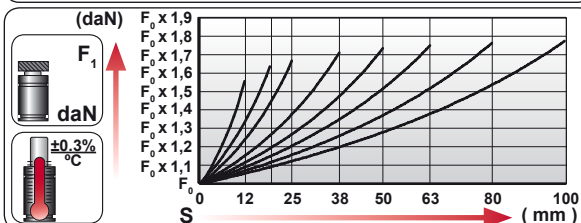
Low Profile



ORDER	S (mm)	L1 ±0,25 (mm)	L (mm)	Kg.
CK 1000 012 V1	12	74	62	0.71
CK 1000 019 V1	19	88	69	0.77
CK 1000 025 V1	25	100	75	0.82
CK 1000 038 V1	38	126	88	0.93
CK 1000 050 V1	50	150	100	1.03
CK 1000 063 V1	63	176	113	1.14
CK 1000 080 V1	80	210	130	1.28
CK 1000 100 V1	100	250	150	1.45

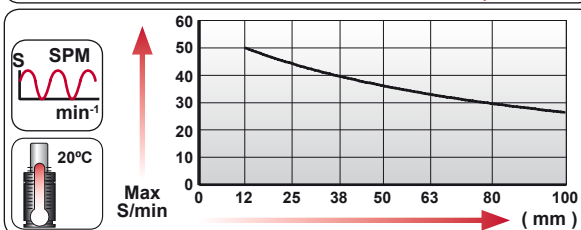


CODE	Pressure (bar/psi)	Force F <sub>0</sub> (daN)	Force F <sub>1</sub> (daN)
CK 1000 050 V1	160 / 2320	985	1710
CK-H 1000 050 V1	0 / 0	---	---



ENG ORDER  
 DEU BESTELLUNG  
 FRA COMMANDE  
 ITA ORDINE  
 ESP PEDIDO  
 POR PEDIDO

CK 1000 50  
**CK 1000 050 V1**



N <sub>2</sub>	Smax < 90%	Vmax 1,6 m/s	bar psi	bar psi	°C °F	°C °F	600 CP-
			20 290	160 2320	0 32	80 176	



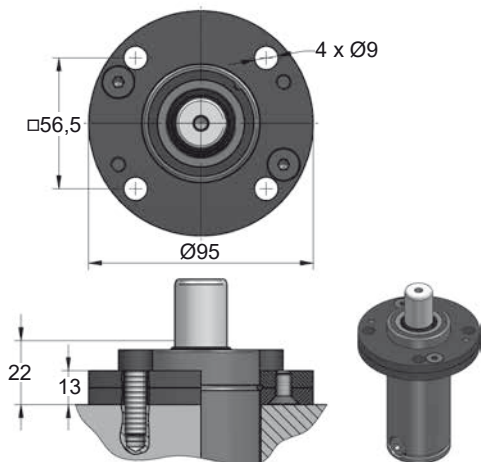


# CK 1000 V1 MOUNTS

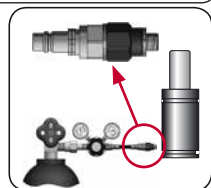
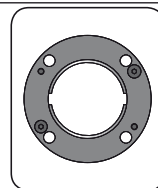
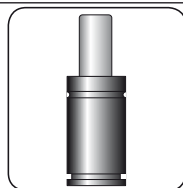
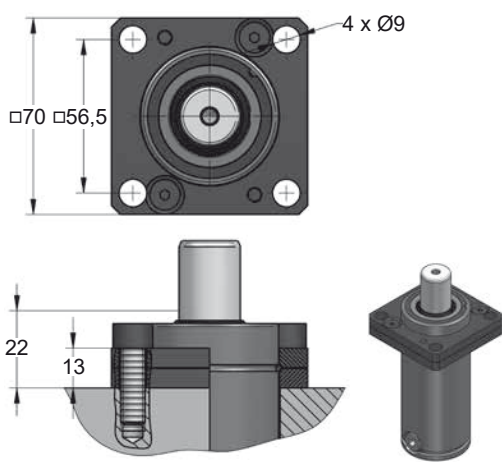
Low Profile

<b>s</b> mm	<b>50</b>	<b>50</b>	<b>50</b>	<b>50</b>	<b>50</b>	<b>50</b>	<b>50</b>	<b>50</b>
	<b>Ø50</b>	<b>Ø50</b>	<b>Ø50</b>	<b>Ø50</b>	<b>Ø50</b>	<b>Ø50</b>	<b>Ø50</b>	<b>Ø50</b>
<b>mm</b>	<b>L1=138</b> <b>L1=152</b>	<b>L1=138</b> <b>L1=150</b> <b>L1=150</b>	<b>L1=170</b> <b>L1=185</b> <b>L1=195</b>	<b>L1=195</b>	<b>L1=165</b> <b>L1=175</b>	<b>L1=220</b>		
<b>MODEL</b>	<b>X</b>	CW 1000 KZ 1000	<b>X</b>	CT 1000 CK 1000 FD 750	GN 750 CM 1000 CD 1000	AG 750	CPH 1700 CP 2000	CS 1800
<b>SERIES</b>	MINI	COMPACT HEIGHT	THREADED	LOW PROFILE	HEAVY DUTY	ISO	HEAVY LOAD	POWER COMPACT STROKE

## A14-050



## A34-050



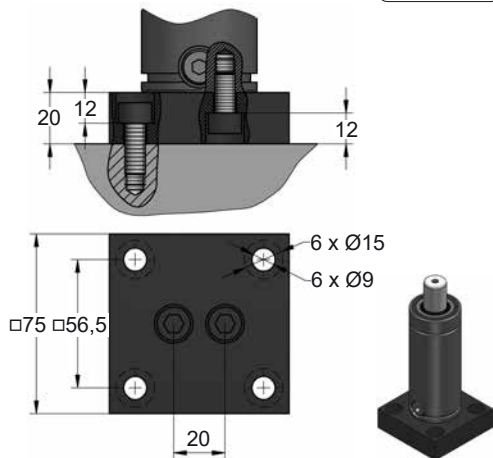
<b>CODE</b>	<b>CK 1000 050 V1</b>	<b>KIT S-XXXXXXX</b> <b>KIT C-XXXXXXX</b>	<b>A14-050</b>	<b>18 CG 1-Q</b>
ENG ORDER	GAS SPRING	REPAIR KIT	FLANGE	CHARGING ADAPTER
DEU BESTELLUNG	GASDRUCKFEDER	ERSATZTEILSATZ	FLANSCHEN	LADEADAPTER
FRA COMMANDE	RESSORT À GAZ	KIT DE RÉPARATION	BRIDE	RACCORD DE CHARGE
ITA ORDINE	CILINDRO AD AZOTO	KIT DI MANUTENZIONE	FLANGE	ADATTATORE DI CARICO
ESP PEDIDO	RESORTE DE GAS	KIT DE REPARACION	BRIDA	ADAPTADOR DE CARGA
POR PEDIDO	CILINDRO DE GÁS	KIT DE MANUTENÇÃO	FLANGE	ADAPTADOR DE CARGA

# CK 1000 V1 MOUNTS

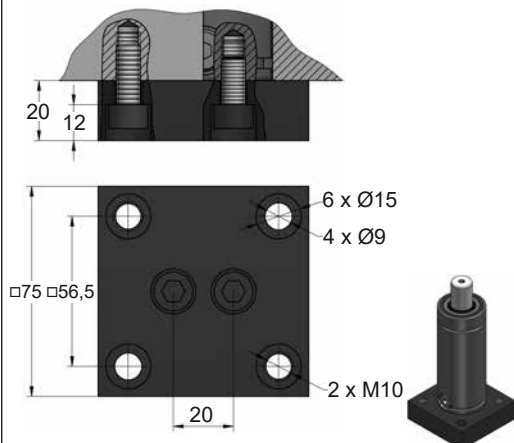
Low Profile

**AZOL**  
**GAS**

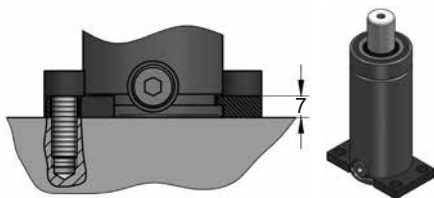
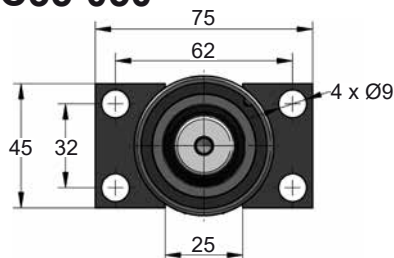
## B21-050



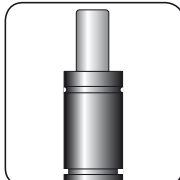
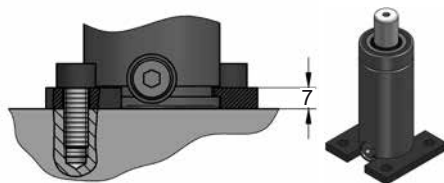
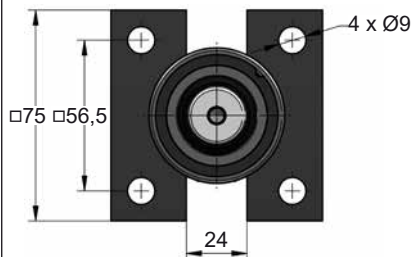
## B76-050



## C35-050



## C50-050



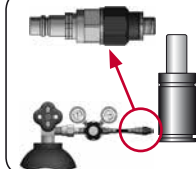
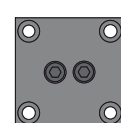
SEAL

KIT S-XXXXXXX



CARTRIDGE

KIT C-XXXXXXX

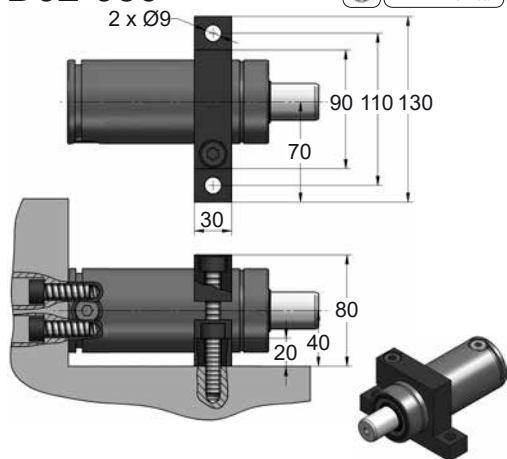


CODE	CK 1000 050 V1	KIT S-XXXXXXX KIT C-XXXXXXX	B21-050	18 CG 1-Q
ENG ORDER	GAS SPRING	REPAIR KIT	FLANGE	CHARGING ADAPTER
DEU BESTELLUNG	GASDRUCKFEDER	ERSATZTEILSATZ	FLANSCHEN	LADEADAPTER
FRA COMMANDE	RESSORT À GAZ	KIT DE RÉPARATION	BRIDE	RACCORD DE CHARGE
ITA ORDINE	CILINDRO AD AZOTO	KIT DI MANUTENZIONE	FLANGE	ADATTATORE DI CARICO
ESP PEDIDO	RESORTE DE GAS	KIT DE REPARACION	BRIDA	ADAPTADOR DE CARGA
POR PEDIDO	CILINDRO DE GÁS	KIT DE MANUTENÇÃO	FLANGE	ADAPTADOR DE CARGA

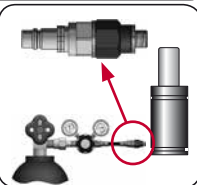
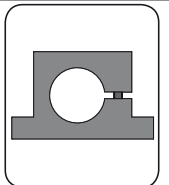
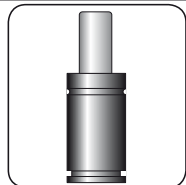
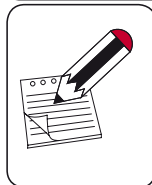
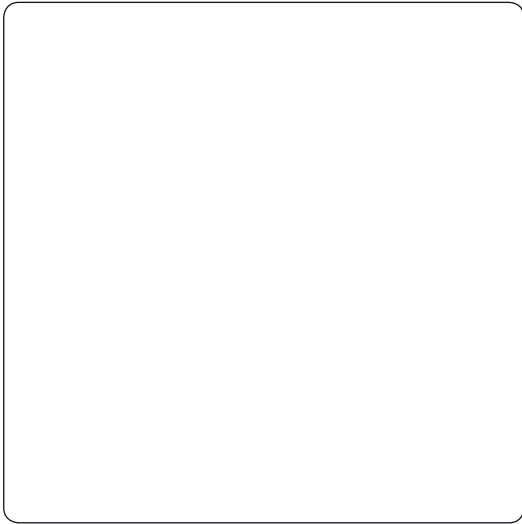
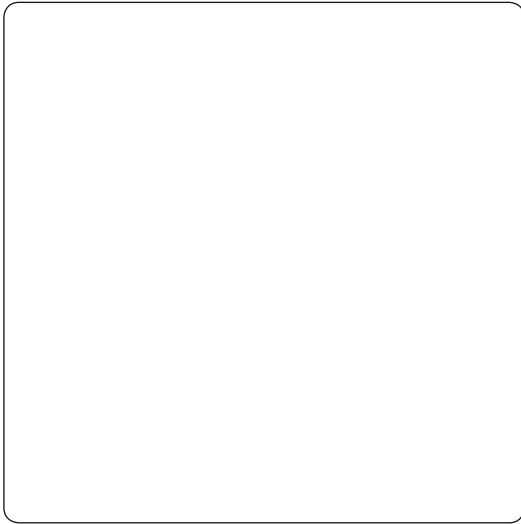
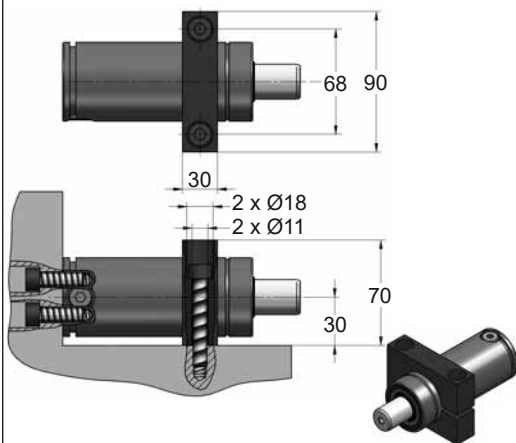
# CK 1000 V1 MOUNTS

Low Profile

## D02-050



## D67-050

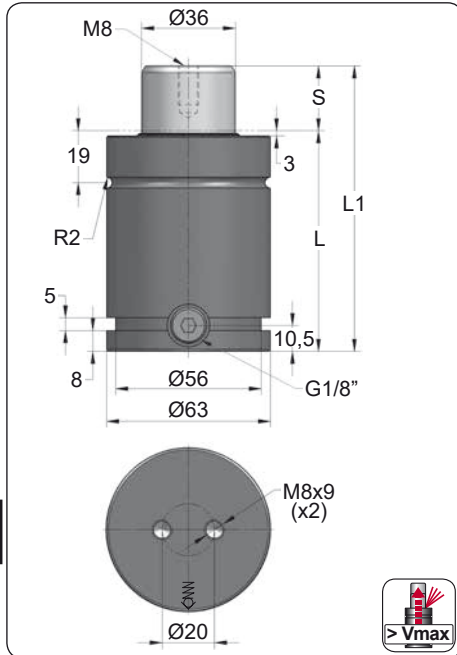


CODE	CK 1000 050 V1	KIT S-XXXXXXX KIT C-XXXXXXX	D02-050	18 CG 1-Q
ENG ORDER	GAS SPRING	REPAIR KIT	FLANGE	CHARGING ADAPTER
DEU BESTELLUNG	GASDRUCKFEDER	ERSATZTEILSATZ	FLANSCHEN	LADEADAPTER
FRA COMMANDE	RESSORT À GAZ	KIT DE RÉPARATION	BRIDE	RACCORD DE CHARGE
ITA ORDINE	CILINDRO AD AZOTO	KIT DI MANUTENZIONE	FLANGE	ADATTATORE DI CARICO
ESP PEDIDO	RESORTE DE GAS	KIT DE REPARACION	BRIDA	ADAPTADOR DE CARGA
POR PEDIDO	CILINDRO DE GÁS	KIT DE MANUTENÇÃO	FLANGE	ADAPTADOR DE CARGA

# CK 1500 V2

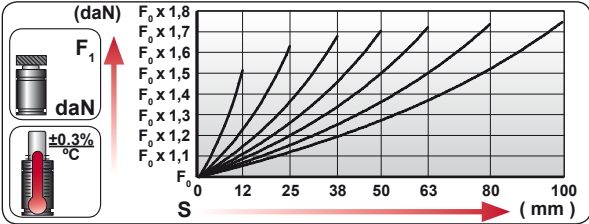
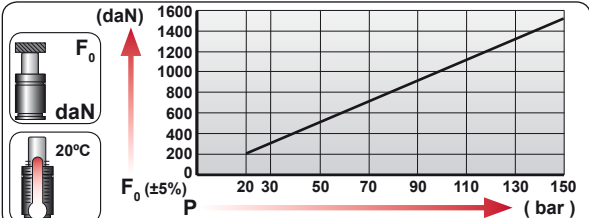
Low Profile



ORDER	S (mm)	L1 ±0,25 (mm)	L (mm)	Kg.
CK 1500 012 V2	12	84	72	1.28
CK 1500 025 V2	25	110	85	1.44
CK 1500 038 V2	38	136	98	1.61
CK 1500 050 V2	50	160	110	1.77
CK 1500 063 V2	63	186	123	1.93
CK 1500 080 V2	80	220	140	2.15
CK 1500 100 V2	100	260	160	2.41

CODE				
		bar psi	daN	daN
CK 1500 050 V2		150 2175	1530	2605
CK-H 1500 050 V2		0 0	---	---

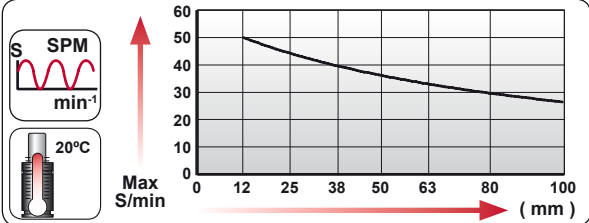


ENG	ORDER
DEU	BESTELLUNG
FRA	COMMANDE
ITA	ORDINE
ESP	PEDIDO
POR	PEDIDO

**F<sub>0</sub>** daN     **S** mm

**CK 1500 50**

**CK 1500 050 V2**



	<b>S<sub>max</sub> &lt; 90%</b>	<b>V<sub>max</sub> 1,6 m/s</b>	<b>P<sub>min</sub> (20°C)</b>	<b>P<sub>max</sub> (20°C)</b>	<b>T<sub>min</sub></b>	<b>T<sub>max</sub></b>	
--	---------------------------------	--------------------------------	-------------------------------	-------------------------------	------------------------	------------------------	--

N <sub>2</sub>	S <sub>max</sub> < 90%	V <sub>max</sub> 1,6 m/s	bar psi	bar psi	°C °F	°C °F	600 CP-
			20 290	150 2175	0 32	80 176	

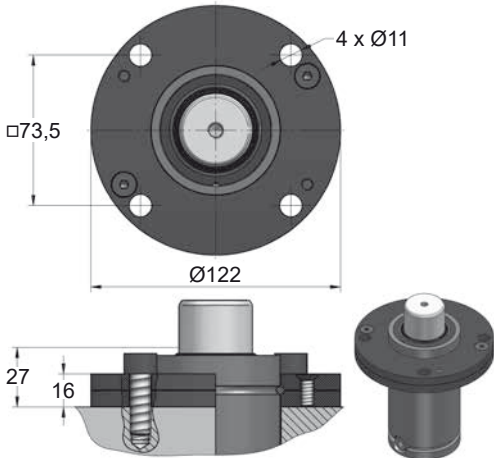


# CK 1500 V2 MOUNTS

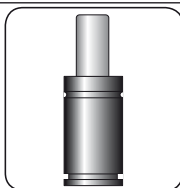
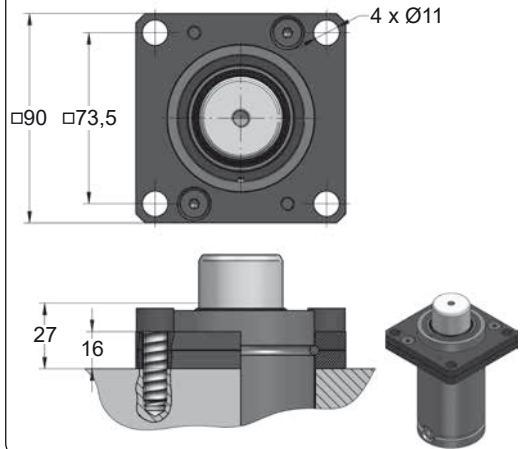
Low Profile

<b>MODEL</b>	<b>X</b> CW 1500 KZ 1500	<b>X</b>	CT 1500 CK 1500	CM 1500 CD 1500	<b>X</b>	CPH 2800 CP 3000	CS 3000	
<b>SERIES</b>	MINI 	COMPACT HEIGHT 	THREADED 	LOW PROFILE 	HEAVY DUTY 	ISO 	HEAVY LOAD 	POWER COMPACT STROKE 

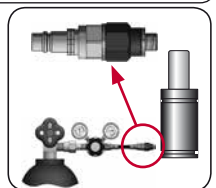
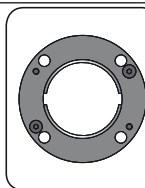
## A14-063



## A39-063



**SEAL KIT S-XXXXXXX**  
**CARTRIDGE KIT C-XXXXXXX**

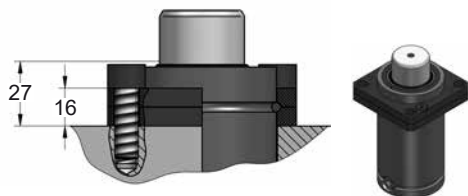
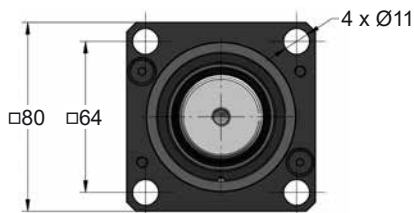


<b>CODE</b>	<b>CK 1500 050 V2</b>	<b>KIT S-XXXXXXX</b> <b>KIT C-XXXXXXX</b>	<b>A14-063</b>	<b>18 CG 1-Q</b>
ENG ORDER	GAS SPRING	REPAIR KIT	FLANGE	CHARGING ADAPTER
DEU BESTELLUNG	GASDRUCKFEDER	ERSATZTEILSATZ	FLANSCHEN	LADEADAPTER
FRA COMMANDE	RESSORT À GAZ	KIT DE RÉPARATION	BRIDE	RACCORD DE CHARGE
ITA ORDINE	CILINDRO AD AZOTO	KIT DI MANUTENZIONE	FLANGE	ADATTATORE DI CARICO
ESP PEDIDO	RESORTE DE GAS	KIT DE REPARACION	BRIDA	ADAPTADOR DE CARGA
POR PEDIDO	CILINDRO DE GÁS	KIT DE MANUTENÇÃO	FLANGE	ADAPTADOR DE CARGA

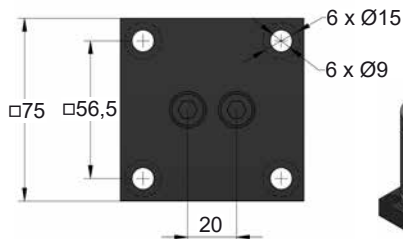
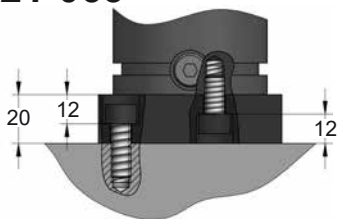
# CK 1500 V2 MOUNTS

Low Profile

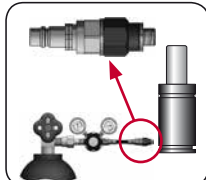
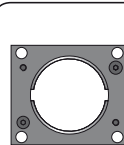
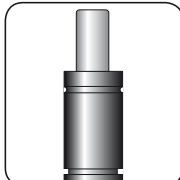
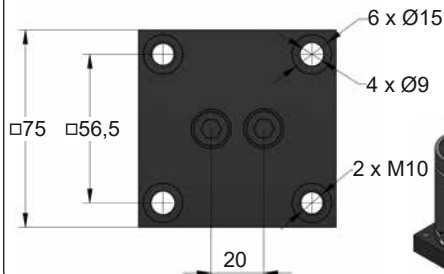
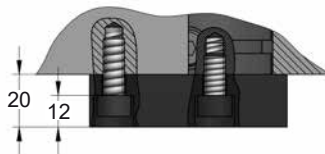
## A69-063



## B21-063

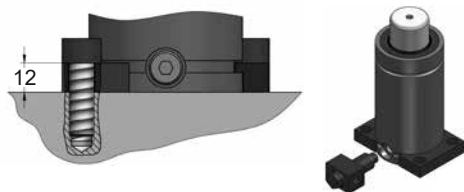
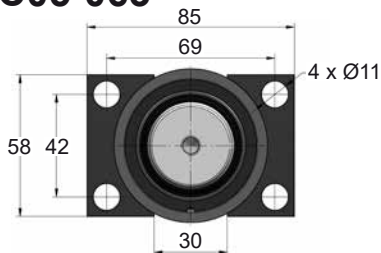


## B76-063

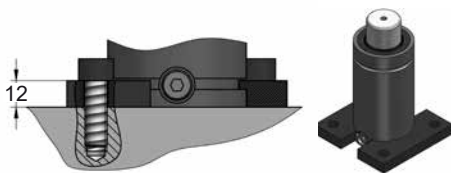
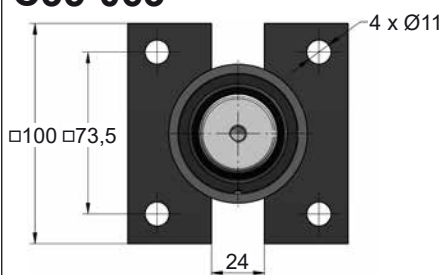


CODE	CK 1500 050 V2	KIT S-XXXXXXX KIT C-XXXXXXX	A69-063	18 CG 1-Q
ENG ORDER	GAS SPRING	REPAIR KIT	FLANGE	CHARGING ADAPTER
DEU BESTELLUNG	GASDRUCKFEDER	ERSATZTEILSATZ	FLANSCH	LADEADAPTER
FRA COMMANDE	RESSORT À GAZ	KIT DE RÉPARATION	BRIDE	RACCORD DE CHARGE
ITA ORDINE	CILINDRO AD AZOTO	KIT DI MANUTENZIONE	FLANGE	ADATTATORE DI CARICO
ESP PEDIDO	RESORTE DE GAS	KIT DE REPARACION	BRIDA	ADAPTADOR DE CARGA
POR PEDIDO	CILINDRO DE GÁS	KIT DE MANUTENÇÃO	FLANGE	ADAPTADOR DE CARGA

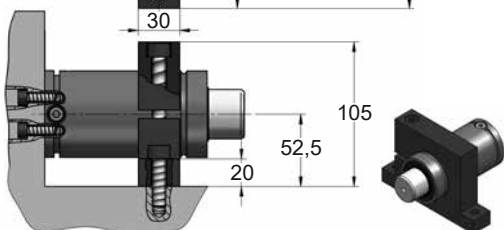
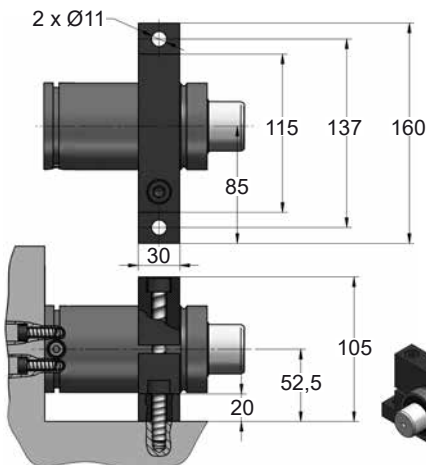
## C05-063



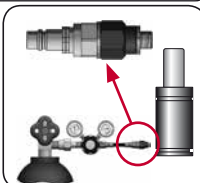
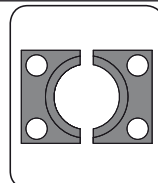
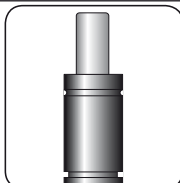
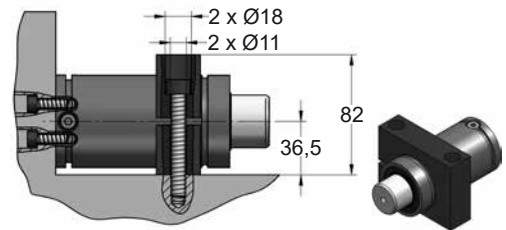
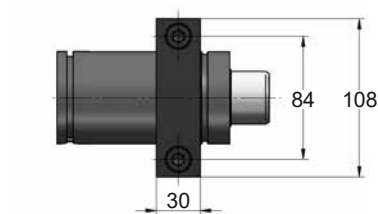
## C35-063



## D02-063



## D67-063

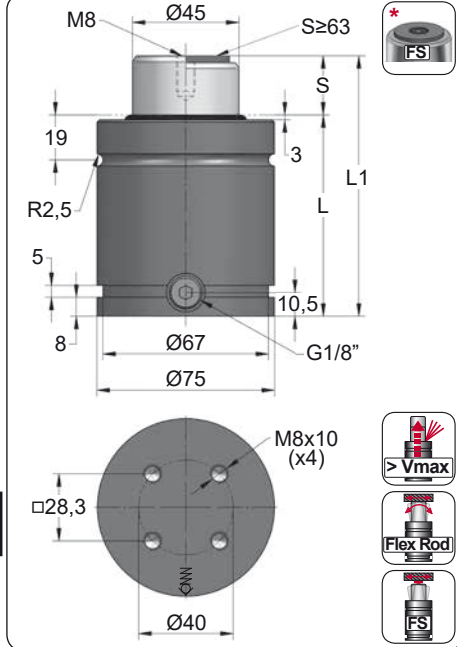


CODE	CK 1500 050 V2	KIT S-XXXXXXX KIT C-XXXXXXX	C05-063	18 CG 1-Q
ENG ORDER	GAS SPRING	REPAIR KIT	FLANGE	CHARGING ADAPTER
DEU BESTELLUNG	GASDRUCKFEDER	ERSATZTEILSATZ	FLANSCHEN	LADEADAPTER
FRA COMMANDE	RESSORT À GAZ	KIT DE RÉPARATION	BRIDE	RACCORD DE CHARGE
ITA ORDINE	CILINDRO AD AZOTO	KIT DI MANUTENZIONE	FLANGE	ADATTATORE DI CARICO
ESP PEDIDO	RESORTE DE GAS	KIT DE REPARACION	BRIDA	ADAPTADOR DE CARGA
POR PEDIDO	CILINDRO DE GÁS	KIT DE MANUTENÇÃO	FLANGE	ADAPTADOR DE CARGA

# CK 2500 V1

Low Profile

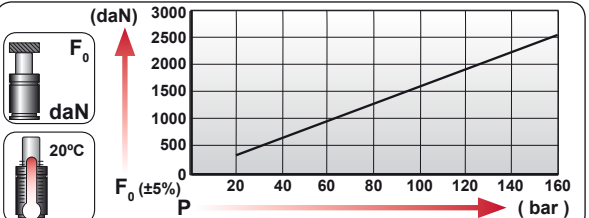


ORDER	S (mm)	L1 ±0,25 (mm)	L (mm)	Kg.
CK 2500 012 V1	12	84	72	1.82
CK 2500 025 V1	25	110	85	2.05
CK 2500 038 V1	38	136	98	2.27
CK 2500 050 V1	50	160	110	2.48
CK 2500 063 V1 *	63	186	123	2.70
CK 2500 080 V1 *	80	220	140	2.99
CK 2500 100 V1 *	100	260	160	3.33



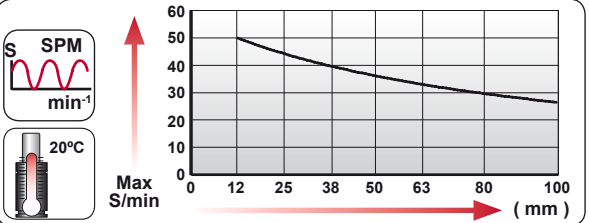
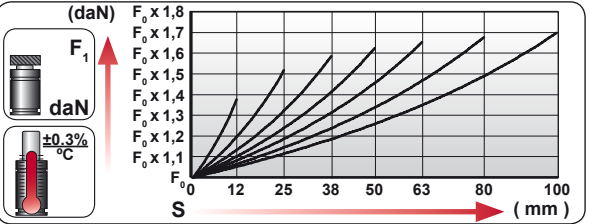
CODE	Pressure	bar	psi	F <sub>0</sub> daN	F <sub>1</sub> daN
CK 2500 050 V1		160	2320	2545	4135
CK-H 2500 050 V1		0	0	---	---



ENG ORDER  
 DEU BESTELLUNG  
 FRA COMMANDE  
 ITA ORDINE  
 ESP PEDIDO  
 POR PEDIDO

F<sub>0</sub> daN  
 S mm

**CK 2500 50**  
**CK 2500 050 V1**



	S <sub>max</sub> 100%	v	P <sub>min</sub> (20°C)	P <sub>max</sub> (20°C)	T <sub>min</sub>	T <sub>max</sub>	
--	-----------------------	---	-------------------------	-------------------------	------------------	------------------	--

N <sub>2</sub>	S <sub>max</sub> < 90%	V <sub>max</sub> 1,6 m/s	bar psi	bar psi	°C °F	°C °F	600 CP-
			20 290	160 2320	0 32	80 176	



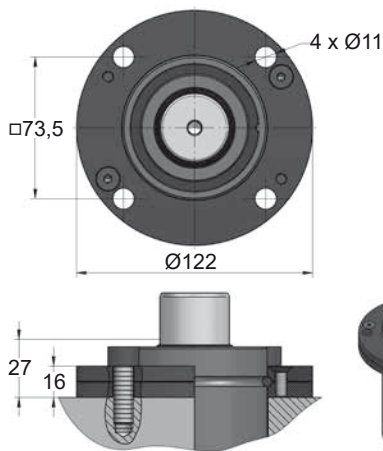


# CK 2500 V1 MOUNTS

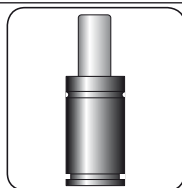
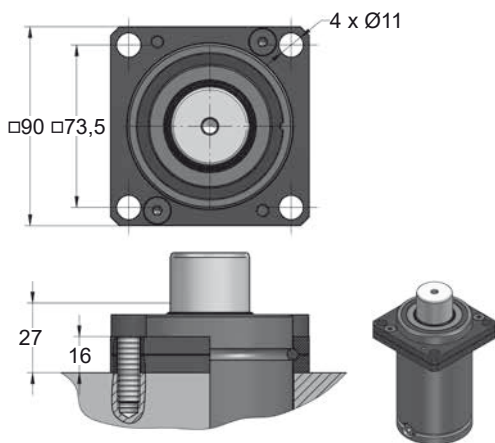
Low Profile

<b>MODEL</b>	<b>X</b>	CW 2400 KZ 2400	<b>X</b>	CT 2500 CK 2500 FD 1500	GN 1500 CM 2500 CD 2400	AG 1500	CPH 4300 CP 5000	CS 4700
<b>SERIES</b>	MINI	COMPACT HEIGHT	THREADED	LOW PROFILE	HEAVY DUTY	ISO	HEAVY LOAD	POWER COMPACT STROKE

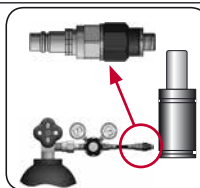
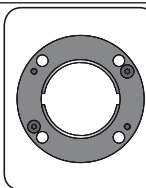
## A14-075



## A34-075



**SEAL KIT S-XXXXXXX**  
**CARTRIDGE KIT C-XXXXXXX**



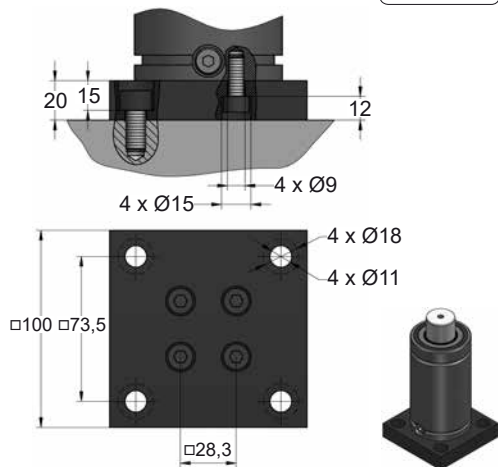
<b>CODE</b>	<b>CK 2500 050 V1</b>	<b>KIT S-XXXXXXX</b> <b>KIT C-XXXXXXX</b>	<b>A14-075</b>	<b>18 CG 1-Q</b>
ENG ORDER	GAS SPRING	REPAIR KIT	FLANGE	CHARGING ADAPTER
DEU BESTELLUNG	GASDRUCKFEDER	ERSATZTEILSATZ	FLANSCHEN	LADEADAPTER
FRA COMMANDE	RESSORT À GAZ	KIT DE RÉPARATION	BRIDE	RACCORD DE CHARGE
ITA ORDINE	CILINDRO AD AZOTO	KIT DI MANUTENZIONE	FLANGE	ADATTATORE DI CARICO
ESP PEDIDO	RESORTE DE GAS	KIT DE REPARACION	BRIDA	ADAPTADOR DE CARGA
POR PEDIDO	CILINDRO DE GÁS	KIT DE MANUTENÇÃO	FLANGE	ADAPTADOR DE CARGA

# CK 2500 V1 MOUNTS

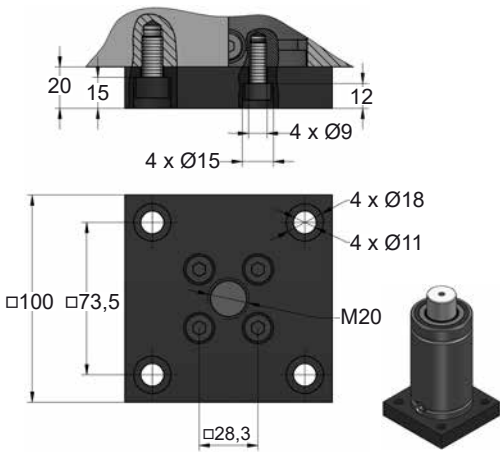
Low Profile

**AZOL**  
**GAS**

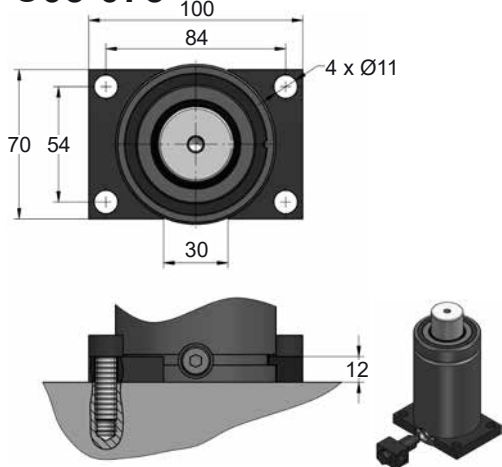
## B21-075

 EM24.54.700/F


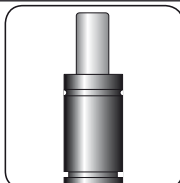
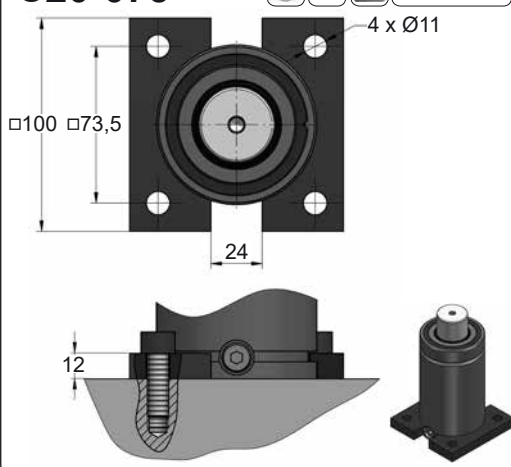
## B76-075

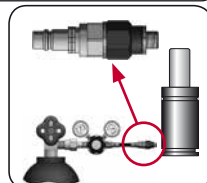
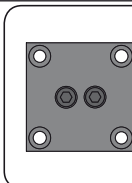
   E24.54.815.G  
EM24.54.700/F


## C05-075



## C20-075

    E24.54.815.G  
EM24.54.700/F

**SEAL**  
**KIT S-XXXXXXX**  
  
**CARTRIDGE**  
**KIT C-XXXXXXX**  

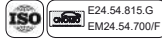


CODE	CK 2500 050 V1	KIT S-XXXXXXX KIT C-XXXXXXX	B21-075	18 CG 1-Q
ENG ORDER	GAS SPRING	REPAIR KIT	FLANGE	CHARGING ADAPTER
DEU BESTELLUNG	GASDRUCKFEDER	ERSATZTEILSATZ	FLANSCHEN	LADEADAPTER
FRA COMMANDE	RESSORT À GAZ	KIT DE RÉPARATION	BRIDE	RACCORD DE CHARGE
ITA ORDINE	CILINDRO AD AZOTO	KIT DI MANUTENZIONE	FLANGE	ADATTATORE DI CARICO
ESP PEDIDO	RESORTE DE GAS	KIT DE REPARACION	BRIDA	ADAPTADOR DE CARGA
POR PEDIDO	CILINDRO DE GAS	KIT DE MANUTENÇÃO	FLANGE	ADAPTADOR DE CARGA



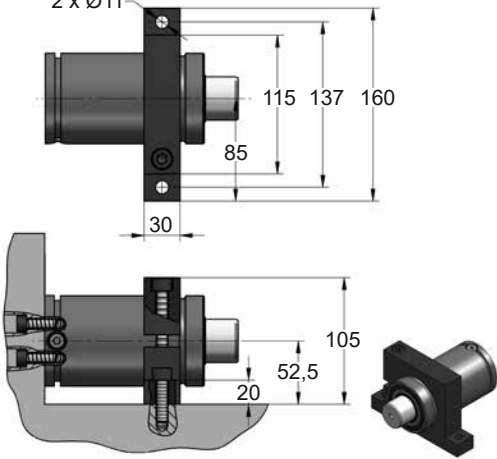
# CK 2500 V1 MOUNTS

Low Profile

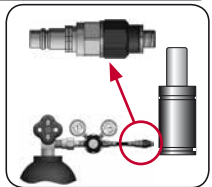
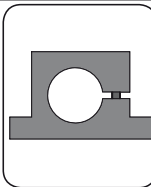
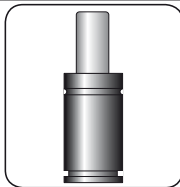
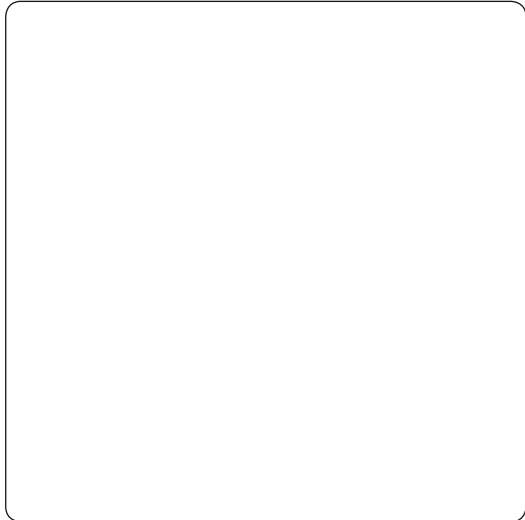
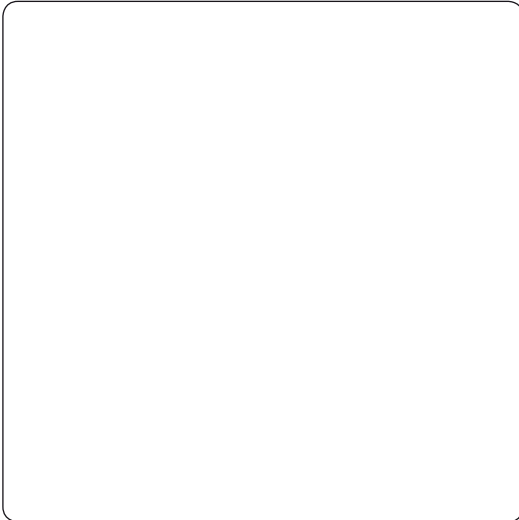
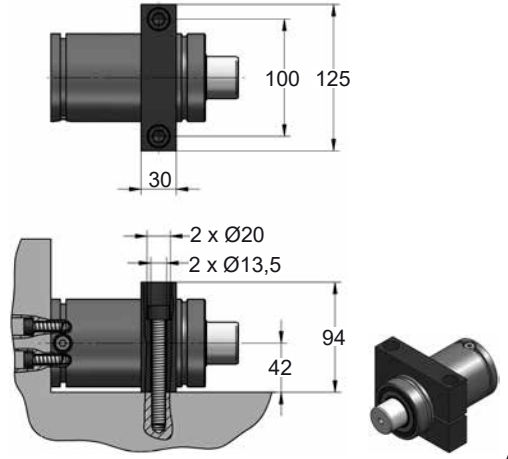


## D02-075

2 x Ø11



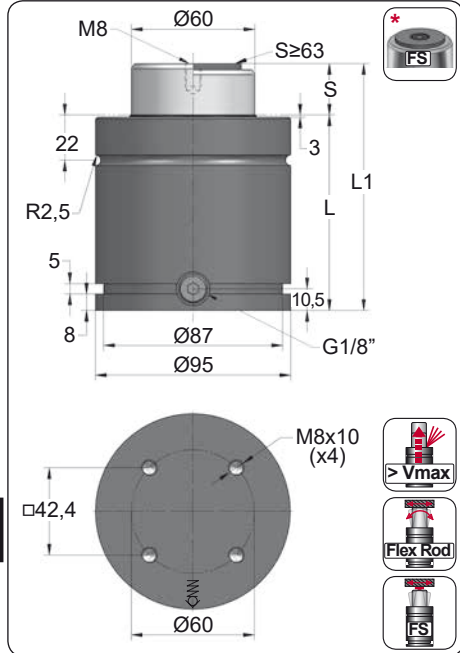
## D67-075



CODE	CK 2500 050 V1	KIT S-XXXXXXX KIT C-XXXXXXX	D02-075	18 CG 1-Q
ENG ORDER	GAS SPRING	REPAIR KIT	FLANGE	CHARGING ADAPTER
DEU BESTELLUNG	GASDRUCKFEDER	ERSATZTEILSATZ	FLANSCHEN	LADEADAPTER
FRA COMMANDE	RESSORT À GAZ	KIT DE RÉPARATION	BRIDE	RACCORD DE CHARGE
ITA ORDINE	CILINDRO AD AZOTO	KIT DI MANUTENZIONE	FLANGE	ADATTATORE DI CARICO
ESP PEDIDO	RESORTE DE GAS	KIT DE REPARACION	BRIDA	ADAPTADOR DE CARGA
POR PEDIDO	CILINDRO DE GÁS	KIT DE MANUTENÇÃO	FLANGE	ADAPTADOR DE CARGA

# CK 4000 V1

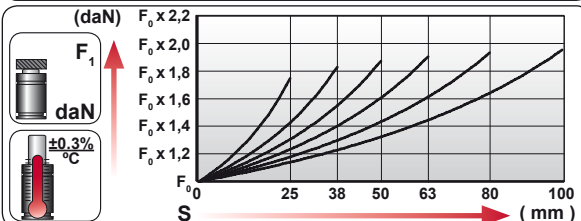
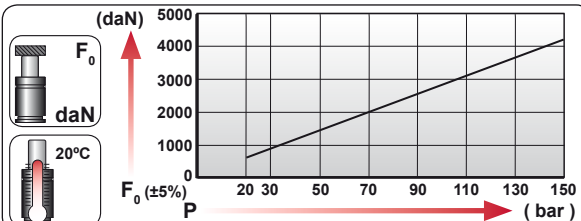
Low Profile



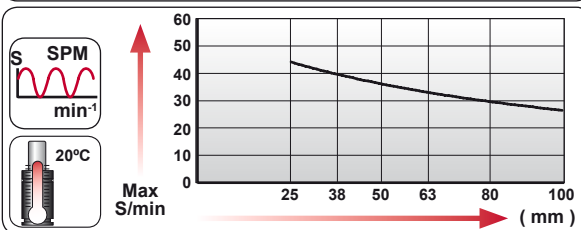
ORDER	S (mm)	L1 ±0,25 (mm)	L (mm)	Kg.
CK 4000 025 V1	25	120	95	3.52
CK 4000 038 V1	38	146	108	3.89
CK 4000 050 V1	50	170	120	4.23
CK 4000 063 V1 *	63	196	133	4.60
CK 4000 080 V1 *	80	230	150	5.09
CK 4000 100 V1 *	100	270	170	5.66



CODE				
		bar psi	daN	daN
CK 4000 050 V1		140 2030	3960	7415
CK-H 4000 050 V1		0 0	---	---



	ENG ORDER DEU BESTELLUNG FRA COMMANDE ITA ORDINE ESP PEDIDO POR PEDIDO		
		daN	mm
	CK 4000 50		
	<b>CK 4000 050 V1</b>		



N <sub>2</sub>	S <sub>max</sub> < 90%	V <sub>max</sub> 1,6 m/s	P <sub>min</sub> (20°C)	P <sub>max</sub> (20°C)	T <sub>min</sub>	T <sub>max</sub>	600 CP-

bar psi	bar psi	°C °F	°C °F
20 290	150 2175	0 32	80 176

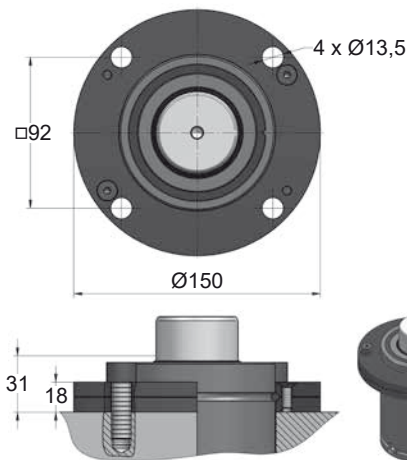


# CK 4000 V1 MOUNTS

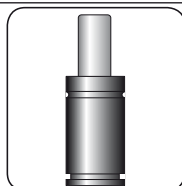
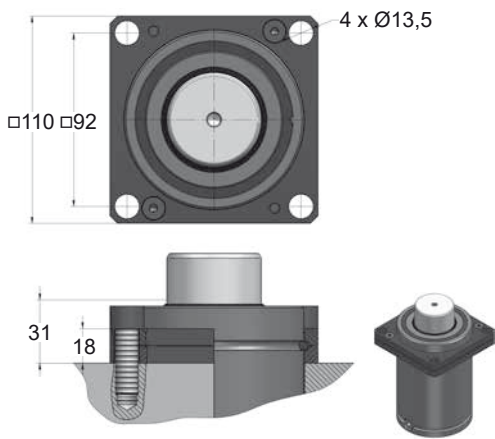
Low Profile

s mm Ø mm L1 mm	50 Ø95 L1=158 L1=162	50 Ø95 L1=170 L1=170	50 Ø95 L1=195 L1=205 L1=220	50 Ø95 L1=220	50 Ø95 L1=215	50 Ø95 L1=255		
MODEL	X CW 4200 KZ 4200	X	CK 4000 FD 3000	GN 3000 CM 4000 CD 4200	AG 3000	CP 8000	CS 7500	
SERIES	MINI 	COMPACT HEIGHT 	THREADED 	LOW PROFILE 	HEAVY DUTY 	ISO 	HEAVY LOAD 	POWER COMPACT STROKE 

## A14-095

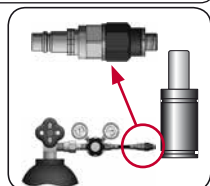
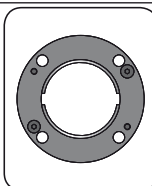


## A34-095



SEAL  
KIT S-XXXXXXX

CARTRIDGE  
KIT C-XXXXXXX



CODE	CK 4000 050 V1	KIT S-XXXXXXX KIT C-XXXXXXX	A14-095	18 CG 1-Q
ENG ORDER	GAS SPRING	REPAIR KIT	FLANGE	CHARGING ADAPTER
DEU BESTELLUNG	GASDRUCKFEDER	ERSATZTEILSATZ	FLANSCHEN	LADEADAPTER
FRA COMMANDE	RESSORT À GAZ	KIT DE RÉPARATION	BRIDE	RACCORD DE CHARGE
ITA ORDINE	CILINDRO AD AZOTO	KIT DI MANUTENZIONE	FLANGE	ADATTATORE DI CARICO
ESP PEDIDO	RESORTE DE GAS	KIT DE REPARACION	BRIDA	ADAPTADOR DE CARGA
POR PEDIDO	CILINDRO DE GÁS	KIT DE MANUTENÇÃO	FLANGE	ADAPTADOR DE CARGA

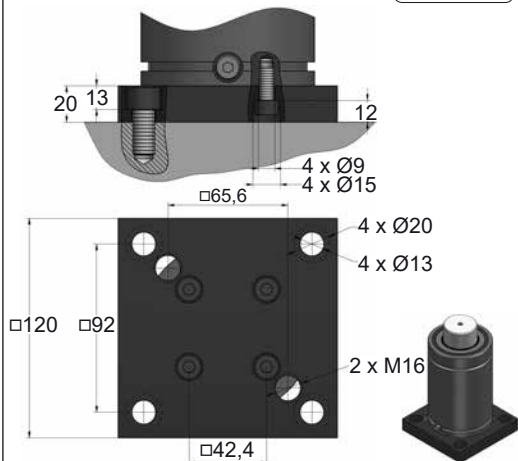
# CK 4000 V1 MOUNTS

Low Profile

**AZOL  
GAS**

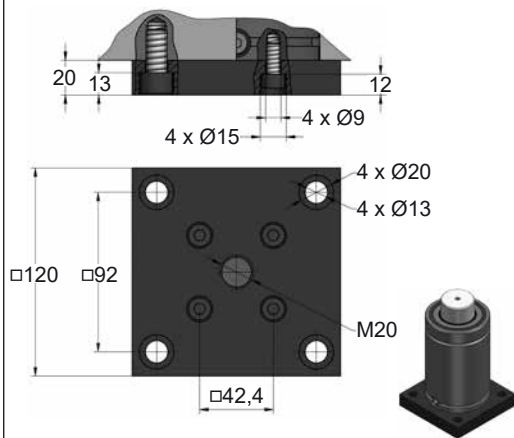
## B21-095

EM24.54.700/F

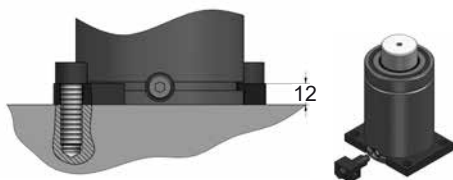
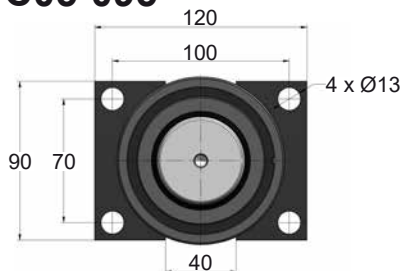


## B76-095

ISO HAARITE EM24.54.700/F

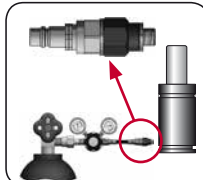
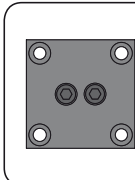
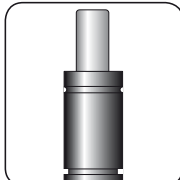
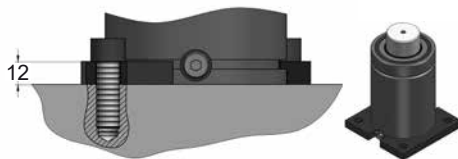
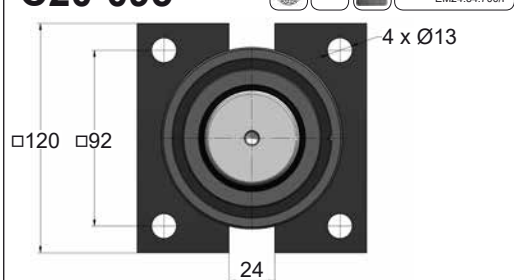


## C05-095



## C20-095

ISO HAARITE VDI EM24.54.815.G EM24.54.700/F



CODE	CK 4000 050 V1	KIT S-XXXXXXX KIT C-XXXXXXX	B21-095	18 CG 1-Q
ENG ORDER	GAS SPRING	REPAIR KIT	FLANGE	CHARGING ADAPTER
DEU BESTELLUNG	GASDRUCKFEDER	ERSATZTEILSATZ	FLANSCHEN	LADEADAPTER
FRA COMMANDE	RESSORT À GAZ	KIT DE RÉPARATION	BRIDE	RACCORD DE CHARGE
ITA ORDINE	CILINDRO AD AZOTO	KIT DI MANUTENZIONE	FLANGE	ADATTATORE DI CARICO
ESP PEDIDO	RESORTE DE GAS	KIT DE REPARACION	BRIDA	ADAPTADOR DE CARGA
POR PEDIDO	CILINDRO DE GÁS	KIT DE MANUTENÇÃO	FLANGE	ADAPTADOR DE CARGA

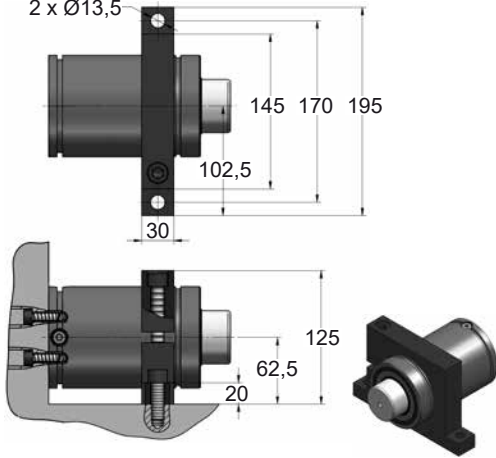
# CK 4000 V1 MOUNTS

Low Profile

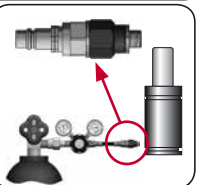
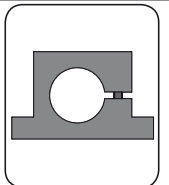
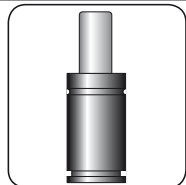
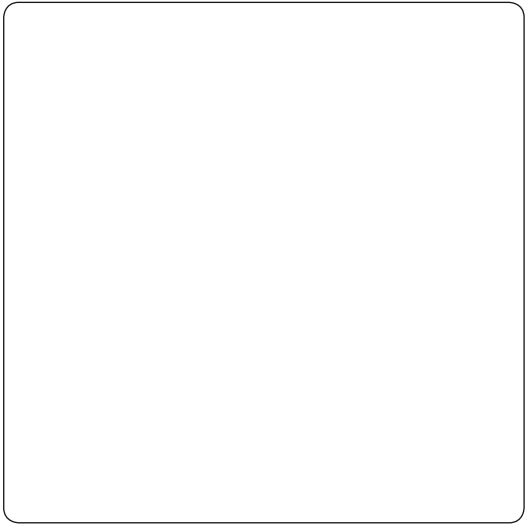
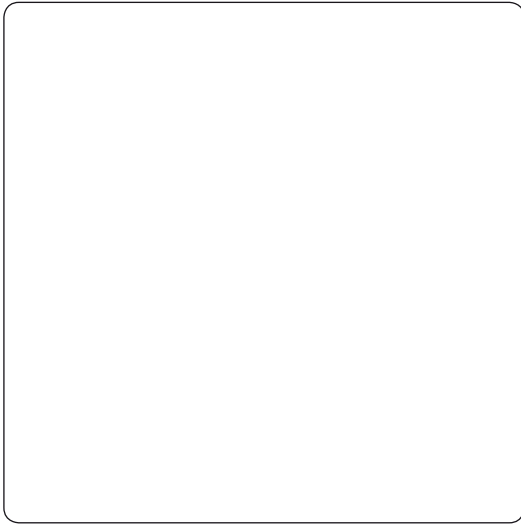
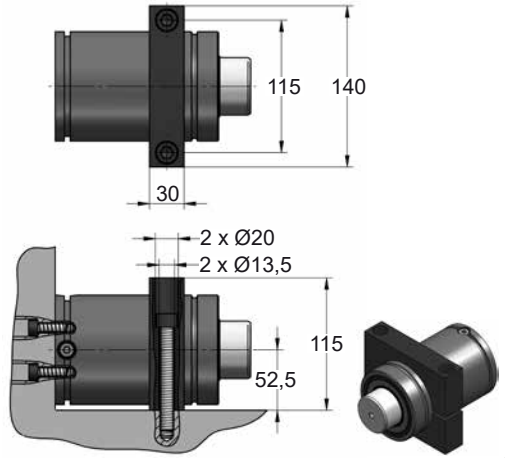


## D02-095

2 x Ø13,5



## D67-095



CODE	CK 4000 050 V1	KIT S-XXXXXXX KIT C-XXXXXXX	D02-095	18 CG 1-Q
ENG ORDER	GAS SPRING	REPAIR KIT	FLANGE	CHARGING ADAPTER
DEU BESTELLUNG	GASDRUCKFEDER	ERSATZTEILSATZ	FLANSCHEN	LADEADAPTER
FRA COMMANDE	RESSORT À GAZ	KIT DE RÉPARATION	BRIDE	RACCORD DE CHARGE
ITA ORDINE	CILINDRO AD AZOTO	KIT DI MANUTENZIONE	FLANGE	ADATTATORE DI CARICO
ESP PEDIDO	RESORTE DE GAS	KIT DE REPARACION	BRIDA	ADAPTADOR DE CARGA
POR PEDIDO	CILINDRO DE GAS	KIT DE MANUTENÇÃO	FLANGE	ADAPTADOR DE CARGA

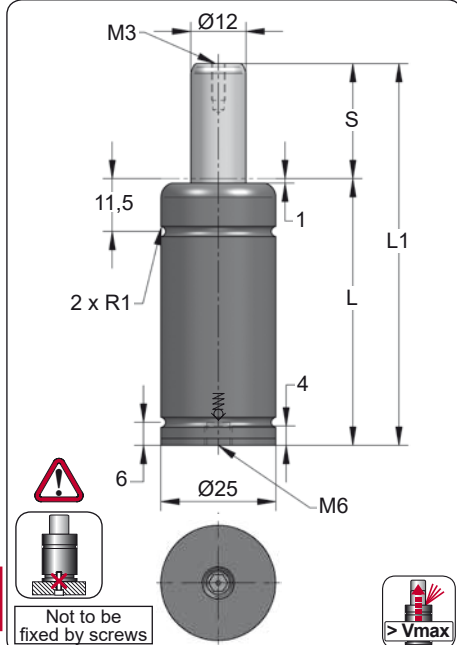






# CT 200 V1

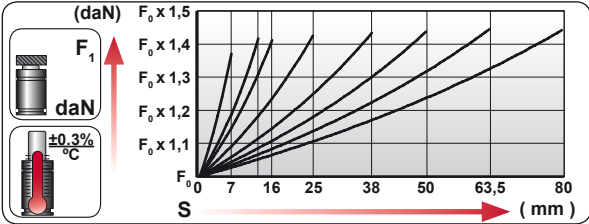
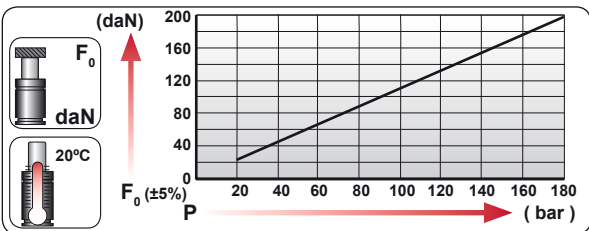
Low Profile



CODE	S (mm)	L1 ±0,25 (mm)	L (mm)	Kg.
CT 200 007 V1	7	47	40	0.11
CT 200 012 V1	12.7	58.4	45.7	0.29
CT 200 016 V1	16	65	49	0.13
CT 200 025 V1	25	83	58	0.35
CT 200 038 V1	38	109	71	0.41
CT 200 050 V1	50	133	83	0.46
CT 200 063 V1	63.5	160	96.5	0.52
CT 200 080 V1	80	193	113	0.60

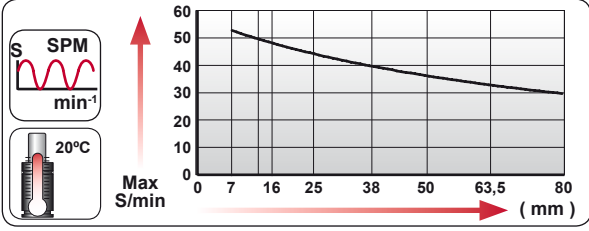


CODE	Pressure (bar/psi)	F <sub>0</sub> (daN)	F <sub>1</sub> (daN)
CT 200 050 V1	180 / 2610	200	295
-----	-----	-----	-----



ENG ORDER  
 DEU BESTELLUNG  
 FRA COMMANDE  
 ITA ORDINE  
 ESP PEDIDO  
 POR PEDIDO

F<sub>0</sub> daN      S mm  
 CT 200      50  
**CT 200 050 V1**



N<sub>2</sub>      S<sub>max</sub> < 90%      V<sub>max</sub> 1,6 m/s      Pmin (20°C)      Pmax (20°C)      Tmin      Tmax

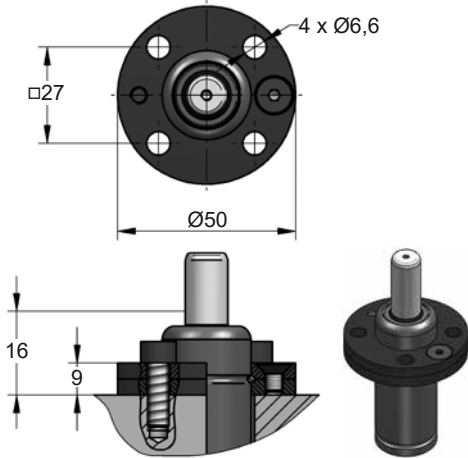
N <sub>2</sub>	S <sub>max</sub> < 90%	V <sub>max</sub> 1,6 m/s	bar psi	bar psi	°C °F	°C °F	°C °F	°C °F	✗
			20 290	180 2610	0 32	80 176			



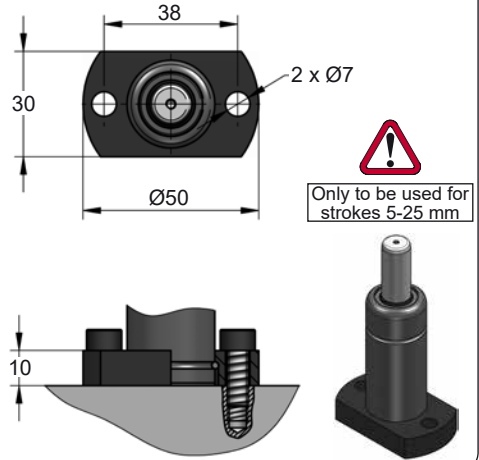
# CT 200 V1 MOUNTS

Low Profile

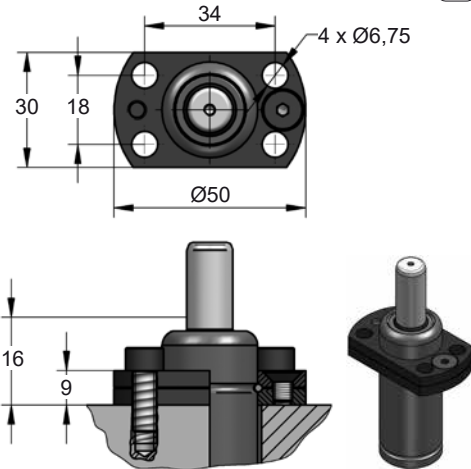
## A14-025



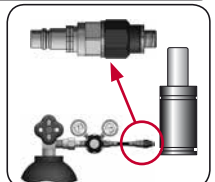
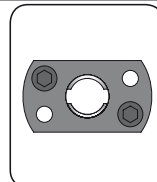
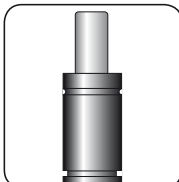
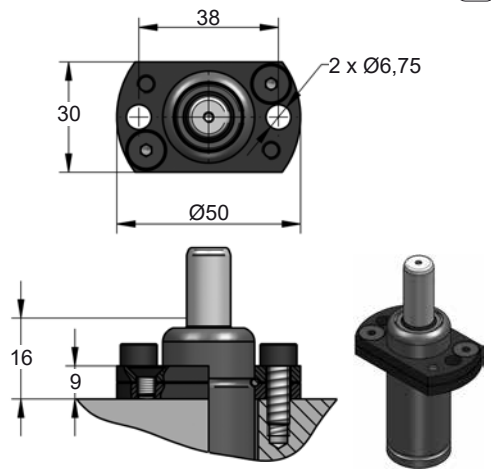
## A19-025



## A44-025



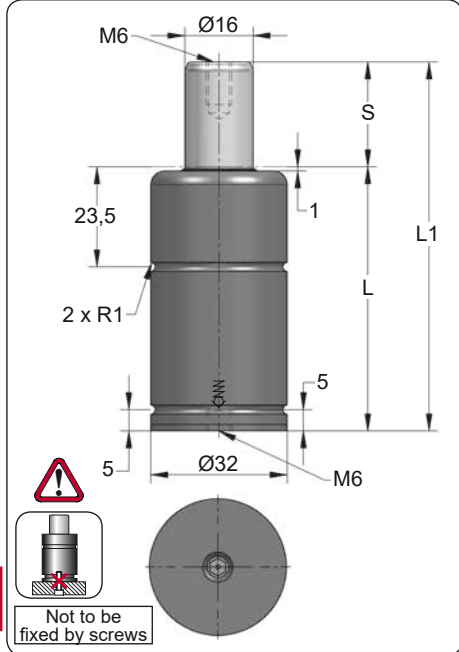
## A49-025



CODE	CT 200 050 V1	<b>X</b>	A19-025	06 CG 2-Q
ENG ORDER	GAS SPRING	REPAIR KIT	FLANGE	CHARGING ADAPTER
DEU BESTELLUNG	GASDRUCKFEDER	ERSATZTEILSATZ	FLANSCHEN	LADEADAPTER
FRA COMMANDE	RESSORT À GAZ	KIT DE RÉPARATION	BRIDE	RACCORD DE CHARGE
ITA ORDINE	CILINDRO AD AZOTO	KIT DI MANUTENZIONE	FLANGE	ADATTATORE DI CARICO
ESP PEDIDO	RESORTE DE GAS	KIT DE REPARACION	BRIDA	ADAPTADOR DE CARGA
POR PEDIDO	CILINDRO DE GÁS	KIT DE MANUTENÇÃO	FLANGE	ADAPTADOR DE CARGA

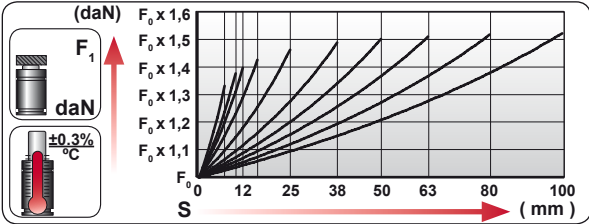
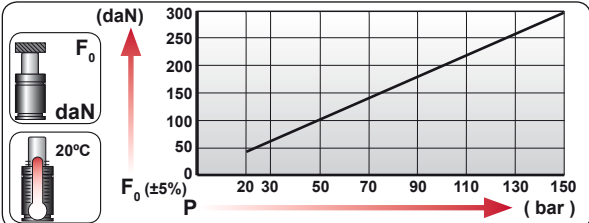
# CT 300 V1

Low Profile

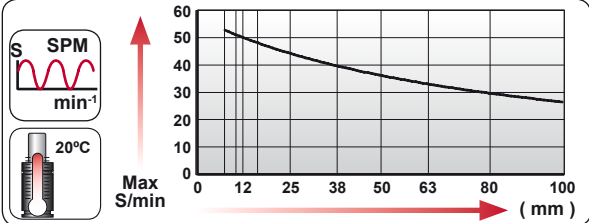


ORDER	S (mm)	L1 ±0,25 (mm)	L (mm)	Kg.
CT 300 007 V1	7	51	44	0.22
CT 300 010 V1	10	57	47	0.23
CT 300 012 V1	12	61	49	0.24
CT 300 016 V1	16	69	53	0.25
CT 300 025 V1	25	87	62	0.28
CT 300 038 V1	38	113	75	0.35
CT 300 050 V1	50	137	87	0.37
CT 300 063 V1	63	163	100	0.43
CT 300 080 V1	80	197	117	0.49
CT 300 100 V1	100	237	137	0.57

CODE				
	bar	psi	daN	daN
CT 300 050 V1	150	2175	300	495
-----	---	---	---	---



	ENG ORDER DEU BESTELLUNG FRA COMMANDE ITA ORDINE ESP PEDIDO POR PEDIDO		
		daN	mm
		300	50
		CT 300 050 V1	



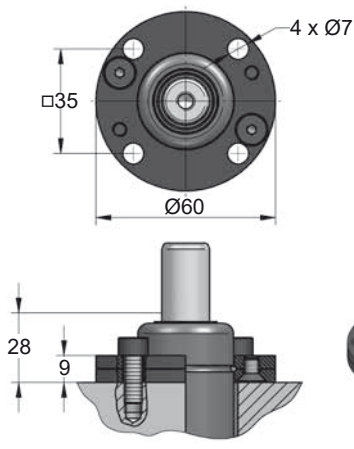
N <sub>2</sub>	S <sub>max</sub> < 90%	V <sub>max</sub> 1,6 m/s	P <sub>min</sub> (20°C)	P <sub>max</sub> (20°C)	T <sub>min</sub>	T <sub>max</sub>	

N <sub>2</sub>	S <sub>max</sub> < 90%	V <sub>max</sub> 1,6 m/s	bar psi	bar psi	°C °F	°C °F	°C °F	
			20 290	150 2175	0 32	80 176		

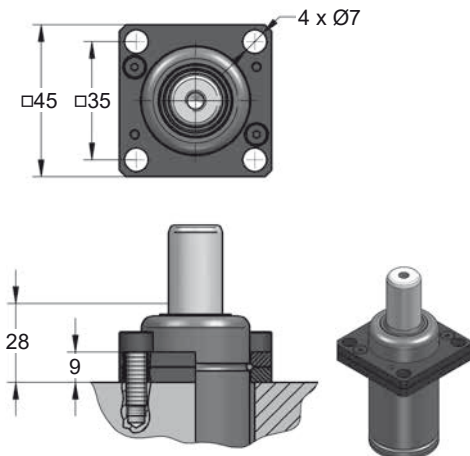
# CT 300 V1 MOUNTS

Low Profile

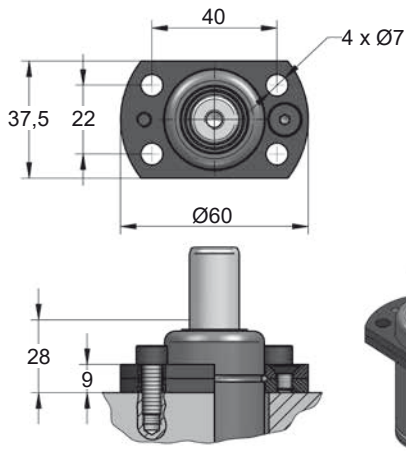
## A14-032



## A34-032



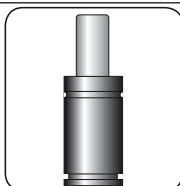
## A44-032



### Single base thread



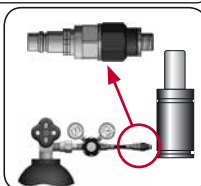
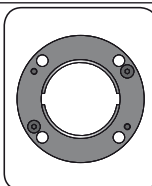
Gas springs with only a single base thread should not be mounted by screws.



SEAL  
KIT S-XXXXXXX



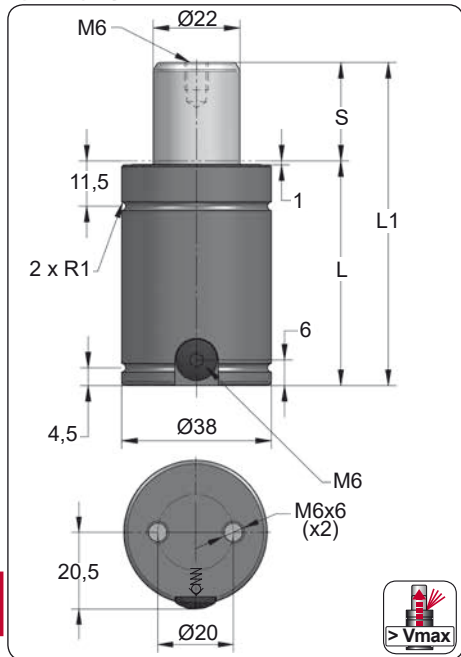
CARTRIDGE  
KIT C-XXXXXXX



CODE	CT 300 050 V1	<b>X</b>	A14-032	06 CG 2-Q
ENG ORDER	GAS SPRING	REPAIR KIT	FLANGE	CHARGING ADAPTER
DEU BESTELLUNG	GASDRUCKFEDER	ERSATZTEILSATZ	FLANSCHEN	LADEADAPTER
FRA COMMANDE	RESSORT À GAZ	KIT DE RÉPARATION	BRIDE	RACCORD DE CHARGE
ITA ORDINE	CILINDRO AD AZOTO	KIT DI MANUTENZIONE	FLANGE	ADATTATORE DI CARICO
ESP PEDIDO	RESORTE DE GAS	KIT DE REPARACION	BRIDA	ADAPTADOR DE CARGA
POR PEDIDO	CILINDRO DE GAS	KIT DE MANUTENÇÃO	FLANGE	ADAPTADOR DE CARGA

# CT 550 V1

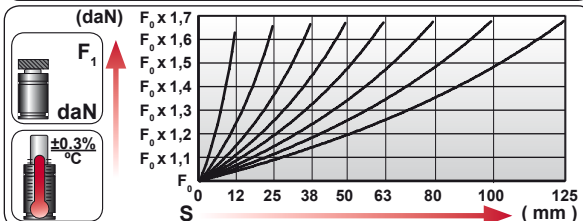
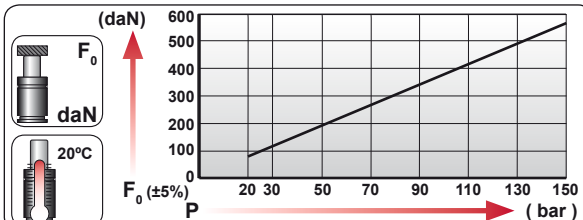
Low Profile



ORDER	S (mm)	L1 ±0,25 (mm)	L (mm)	Kg.
CT 550 012 V1	12	56	44	0.29
CT 550 025 V1	25	82	57	0.35
CT 550 038 V1	38	108	70	0.41
CT 550 050 V1	50	132	82	0.46
CT 550 063 V1	63	158	95	0.52
CT 550 080 V1	80	192	112	0.60
CT 550 100 V1	100	232	132	0.69
CT 550 125 V1	125	282	157	0.80



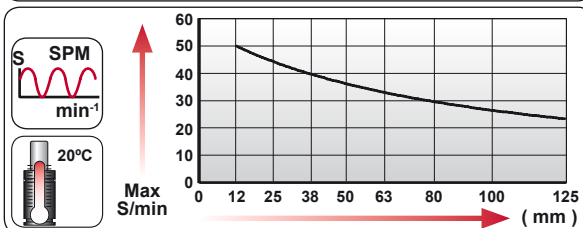
CODE				
		bar psi	daN	daN
CT 550 050 V1		145 2105	550	955
CT-H 550 050 V1		0 0	---	---



	ENG ORDER		
	DEU BESTELLUNG	daN	mm
	FRA COMMANDE		
	ITA ORDINE		
	ESP PEDIDO		
POR PEDIDO			

CT 550 50

CT 550 050 V1



N <sub>2</sub>	S <sub>max</sub> < 90%	V <sub>max</sub> 1,6 m/s	P <sub>min</sub> (20°C)	P <sub>max</sub> (20°C)	T <sub>min</sub>	T <sub>max</sub>	600 CP-

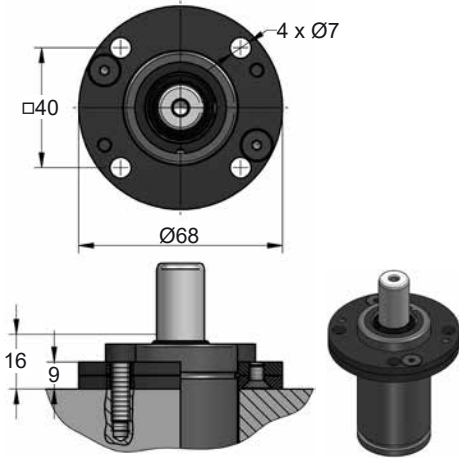
bar psi	bar psi	°C °F	°C °F
20 290	150 2175	0 32	80 176



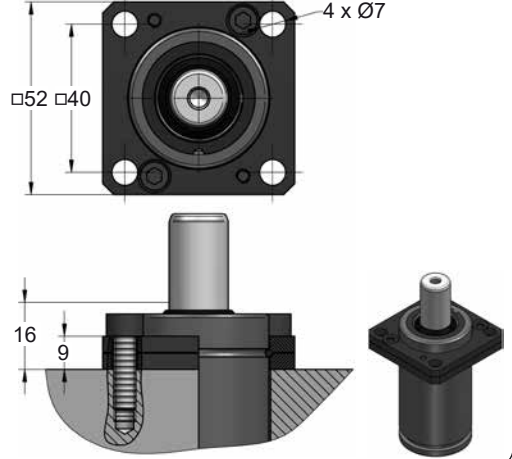
# CT 550 V1 MOUNTS

Low Profile

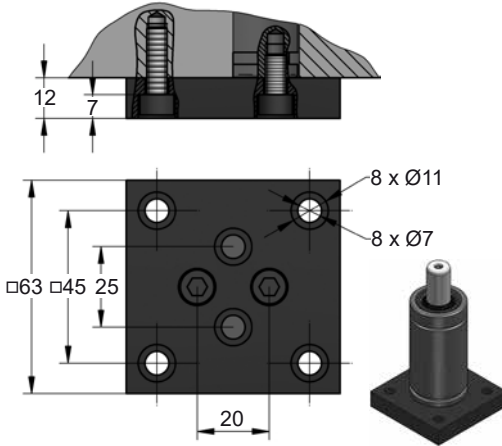
## A14-038



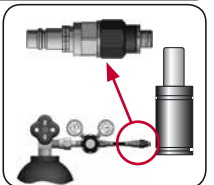
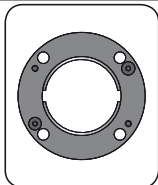
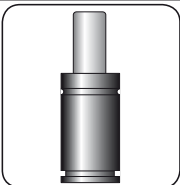
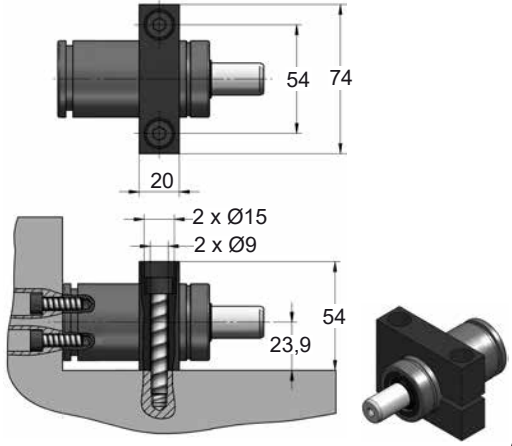
## A34-038



## B76-038



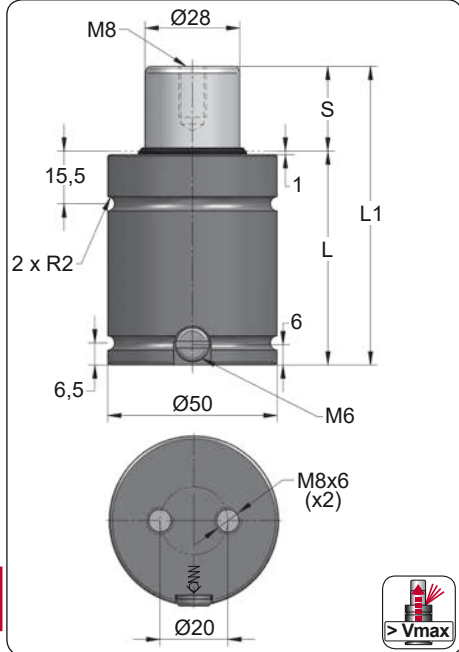
## D67-038



CODE	CT 550 050 V1	KIT S-XXXXXXX KIT C-XXXXXXX	A14-038	06 CG 2-Q
ENG ORDER	GAS SPRING	REPAIR KIT	FLANGE	CHARGING ADAPTER
DEU BESTELLUNG	GASDRUCKFEDER	ERSATZTEILSATZ	FLANSCHEN	LADEADAPTER
FRA COMMANDE	RESSORT À GAZ	KIT DE RÉPARATION	BRIDE	RACCORD DE CHARGE
ITA ORDINE	CILINDRO AD AZOTO	KIT DI MANUTENZIONE	FLANGE	ADATTATORE DI CARICO
ESP PEDIDO	RESORTE DE GAS	KIT DE REPARACION	BRIDA	ADAPTADOR DE CARGA
POR PEDIDO	CILINDRO DE GÁS	KIT DE MANUTENÇÃO	FLANGE	ADAPTADOR DE CARGA

# CT 1000

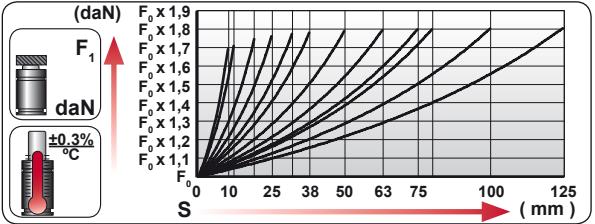
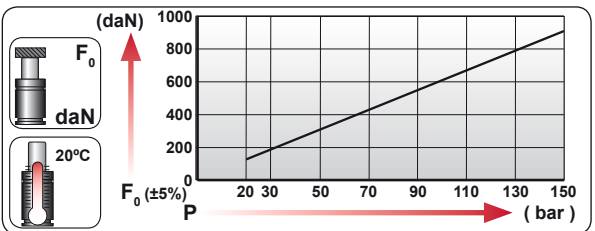
Low Profile



ORDER	S (mm)	L1 ±0,25 (mm)	L (mm)	Kg.
CT 1000 010	10	58	48	0.57
CT 1000 012	12	62	50	0.59
CT 1000 019	19	76	57	0.65
CT 1000 025	25	88	63	0.70
CT 1000 032	32	102	70	0.76
CT 1000 038	38	114	76	0.81
CT 1000 050	50	138	88	0.91
CT 1000 063	63	164	101	1.02
CT 1000 075	75	188	113	1.12
CT 1000 080	80	198	118	1.16
CT 1000 100	100	238	138	1.33
CT 1000 125	125	288	163	1.54

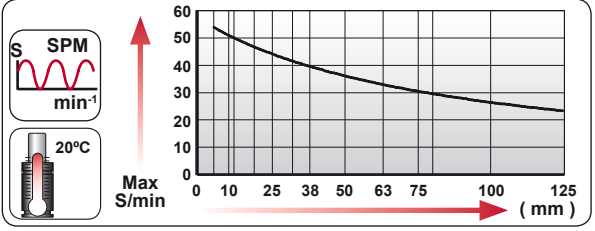


CODE	Valve Type	Pressure (bar)	Pressure (psi)	Force F <sub>0</sub> (daN)	Force F <sub>1</sub> (daN)
CT 1000 050	Single Valve	160	2320	985	1760
CT-H 1000 050	Double Valve	0	0	---	---



ENG ORDER  
 DEU BESTELLUNG  
 FRA COMMANDE  
 ITA ORDINE  
 ESP PEDIDO  
 POR PEDIDO



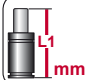




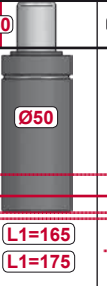

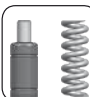

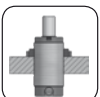





**CT 1000 50**



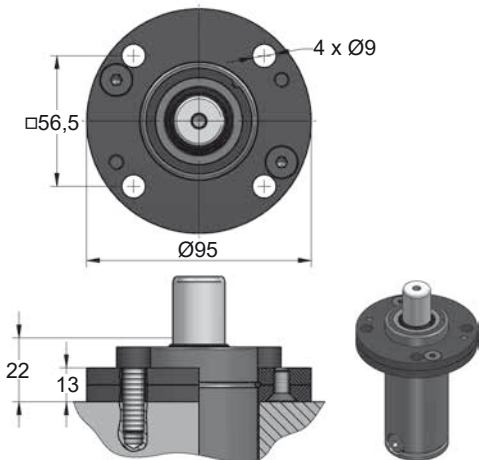
--	--	--	--	--	--

N <sub>2</sub>	S <sub>max</sub> < 90%	V <sub>max</sub> 1,6 m/s	bar psi 20 290	bar psi 160 2320	°C °F 0 32	°C °F 80 176	600 CP-
----------------	------------------------	--------------------------	-------------------	---------------------	---------------	-----------------	---------

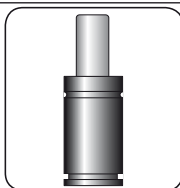
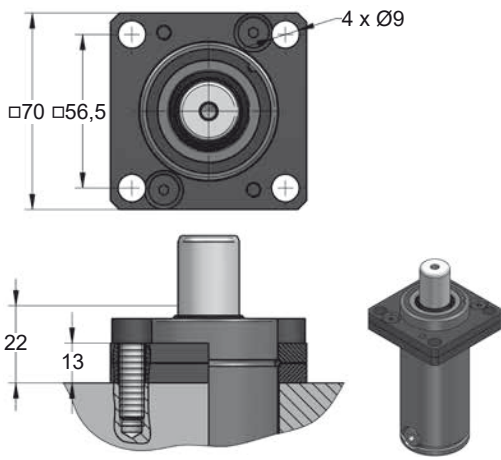


								
			Ø50 L1=138 L1=152	Ø50 L1=138 L1=150 L1=150	Ø50 L1=170 L1=185 L1=195	Ø50 L1=195	Ø50 L1=165 L1=175	Ø50 L1=220
MODEL	<b>X</b> CW 1000 KZ 1000	<b>X</b>	<b>CT 1000</b> CK 1000 FD 750	GN 750 CM 1000 CD 1000	AG 750	CPH 1700 CP 2000	CS 1800	
SERIES	MINI 	COMPACT HEIGHT 	THREADED 	LOW PROFILE 	HEAVY DUTY 	ISO 	HEAVY LOAD 	POWER COMPACT STROKE 

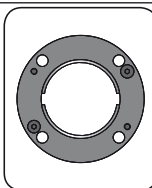
**A14-050**



**A34-050**



SEAL  
KIT S-XXXXXXX  
CARTRIDGE  
KIT C-XXXXXXX



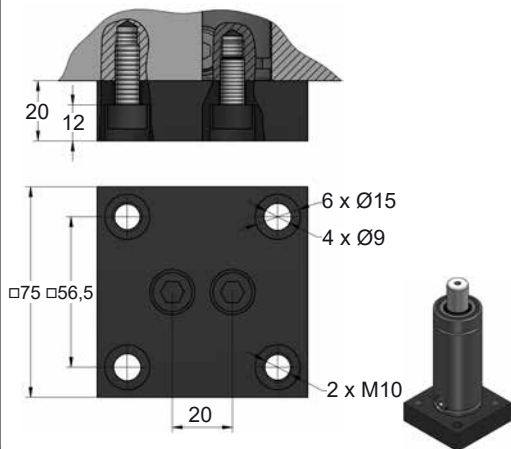
CODE	<b>CT 1000 050</b>	<b>KIT S-XXXXXXX</b> <b>KIT C-XXXXXXX</b>	<b>A14-050</b>	<b>06 CG 2-Q</b>
ENG ORDER	GAS SPRING	REPAIR KIT	FLANGE	CHARGING ADAPTER
DEU BESTELLUNG	GASDRUCKFEDER	ERSATZTEILSATZ	FLANSCH	LADEADAPTER
FRA COMMANDE	RESSORT À GAZ	KIT DE RÉPARATION	BRIDE	RACCORD DE CHARGE
ITA ORDINE	CILINDRO AD AZOTO	KIT DI MANUTENZIONE	FRANGE	ADATTATORE DI CARICO
ESP PEDIDO	RESORTE DE GAS	KIT DE REPARACION	BRIDA	ADAPTADOR DE CARGA
POR PEDIDO	CILINDRO DE GÁS	KIT DE MANUTENÇÃO	FRANGE	ADAPTADOR DE CARGA

# CT 1000 MOUNTS

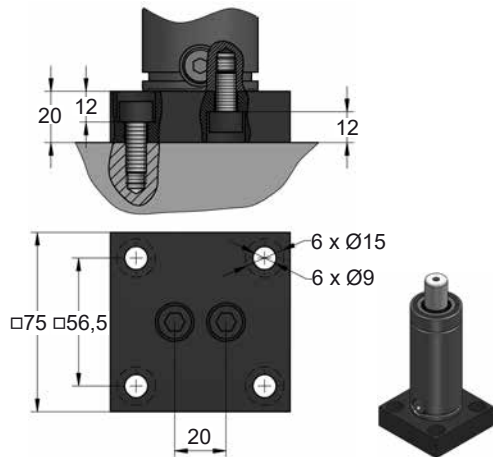
Low Profile

**AZOL**  
**GAS**

## B36-050



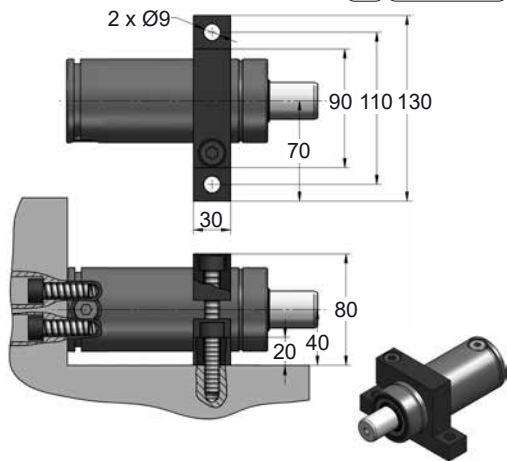
## B41-050



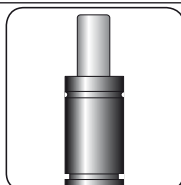
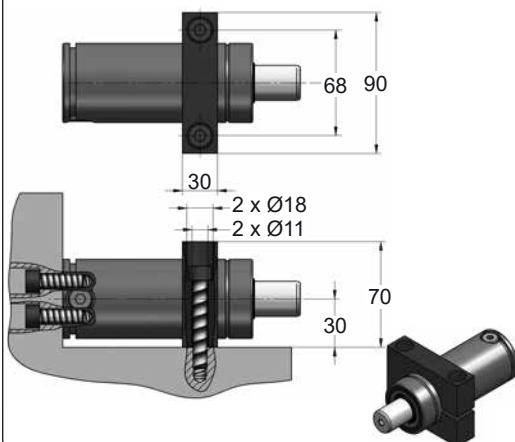
## D02-050



E24.54.815.G  
EM24.54.700/F



## D67-050



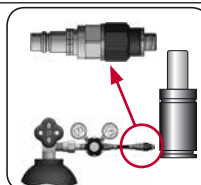
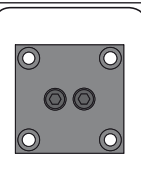
SEAL

KIT S-XXXXXXX



CARTRIDGE

KIT C-XXXXXXX

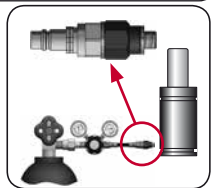
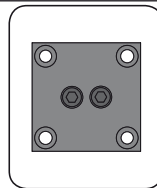
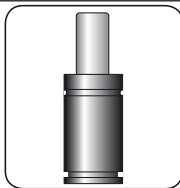
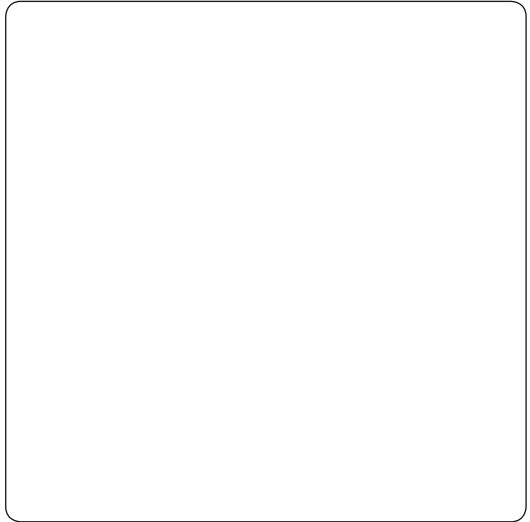
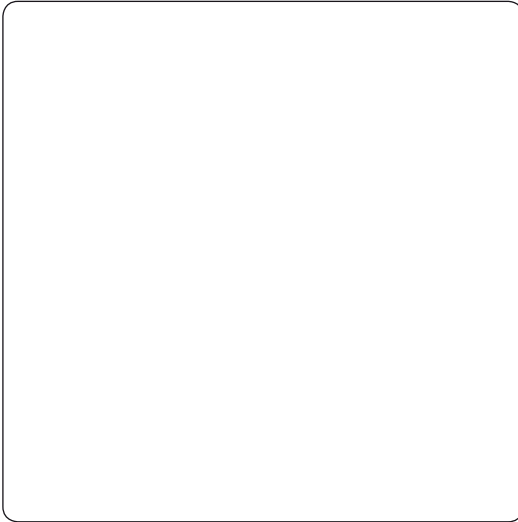
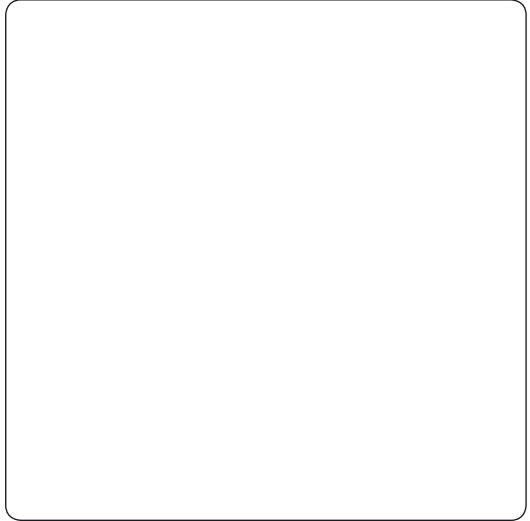
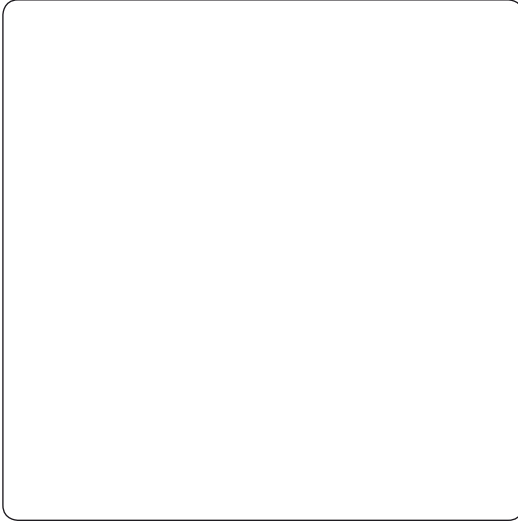


CODE	CT 1000 050	KIT S-XXXXXXX KIT C-XXXXXXX	B36-050	06 CG 2-Q
ENG	ORDER	GAS SPRING	REPAIR KIT	FLANGE
DEU	BESTELLUNG	GASDRUCKFEDER	ERSATZTEILSATZ	FLANSCHEN
FRA	COMMANDE	RESSORT À GAZ	KIT DE RÉPARATION	BRIDE
ITA	ORDINE	CILINDRO AD AZOTO	KIT DI MANUTENZIONE	FLANGE
ESP	PEDIDO	RESORTE DE GAS	KIT DE REPARACION	BRIDA
POR	PEDIDO	CILINDRO DE GÁS	KIT DE MANUTENÇÃO	FLANGE
				CHARGING ADAPTER
				LADEADAPTER
				RACCORD DE CHARGE
				ADATTATORE DI CARICO
				ADAPTADOR DE CARGA
				ADAPTADOR DE CARGA



# CT 1000 MOUNTS

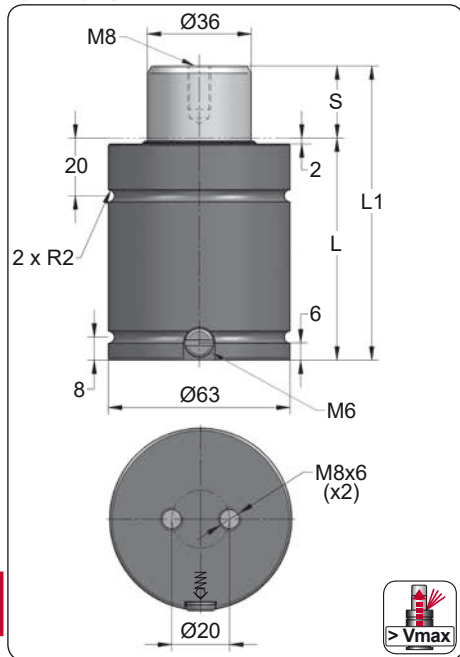
Low Profile



CODE	CT 1000 050	KIT S-XXXXXXX KIT C-XXXXXXX	B36-050	06 CG 2-Q
ENG ORDER	GAS SPRING	REPAIR KIT	FLANGE	CHARGING ADAPTER
DEU BESTELLUNG	GASDRUCKFEDER	ERSATZTEILSATZ	FLANSCHEN	LADEADAPTER
FRA COMMANDE	RESSORT À GAZ	KIT DE RÉPARATION	BRIDE	RACCORD DE CHARGE
ITA ORDINE	CILINDRO AD AZOTO	KIT DI MANUTENZIONE	FLANGE	ADATTATORE DI CARICO
ESP PEDIDO	RESORTE DE GAS	KIT DE REPARACION	BRIDA	ADAPTADOR DE CARGA
POR PEDIDO	CILINDRO DE GÁS	KIT DE MANUTENÇÃO	FLANGE	ADAPTADOR DE CARGA

# CT 1500

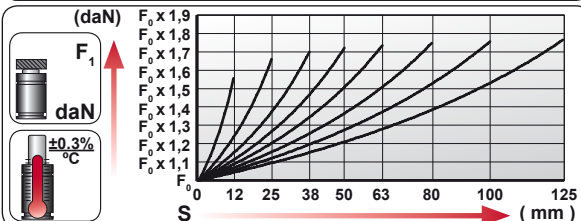
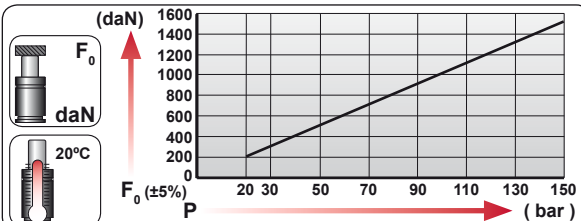
Low Profile



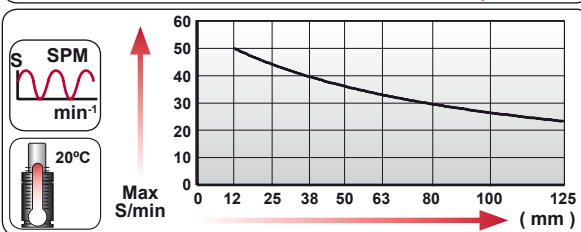
ORDER	S (mm)	L1 ±0,25 (mm)	L (mm)	Kg.
CT 1500 012	12	76	64	1.16
CT 1500 025	25	102	77	1.32
CT 1500 038	38	128	90	1.49
CT 1500 050	50	152	102	1.64
CT 1500 063	63	178	115	1.81
CT 1500 080	80	212	132	2.03
CT 1500 100	100	252	152	2.29
CT 1500 125	125	302	177	2.61



CODE				
		bar psi	daN	daN
CT 1500 050		150 2175	1530	2630
CT-H 1500 050		0 0	---	---



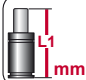







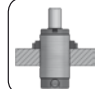







	ENG ORDER DEU BESTELLUNG FRA COMMANDE ITA ORDINE ESP PEDIDO POR PEDIDO		
		daN	mm
		1500	50
<b>CT 1500 050</b>			

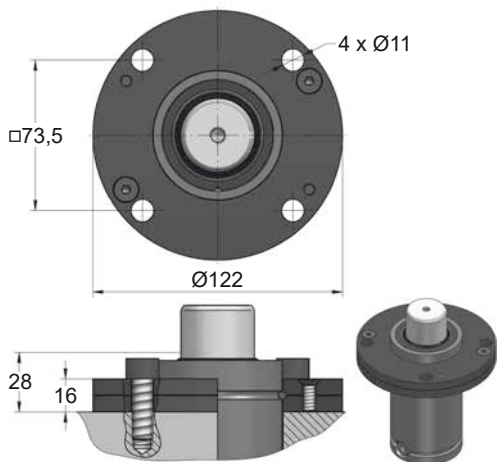


N <sub>2</sub>	S <sub>max</sub> < 90%	V <sub>max</sub> 1,6 m/s	P <sub>min</sub> (20°C)	P <sub>max</sub> (20°C)	T <sub>min</sub>	T <sub>max</sub>	600 CP-

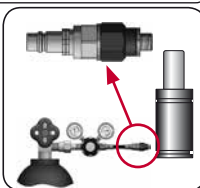
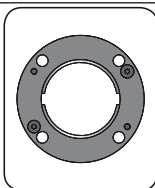
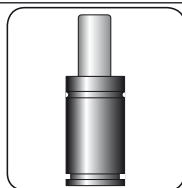
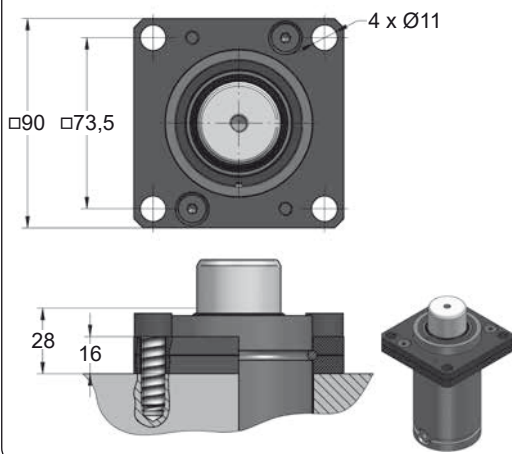
bar psi	bar psi	°C °F	°C °F
20 290	150 2175	0 32	80 176

								
			50 Ø63 L1=144 L1=152	50 Ø63 L1=152 L1=160	50 Ø63 L1=185 L1=195	50 Ø63 L1=175 L1=190	50 Ø63 L1=205	
MODEL	X CW 1500 KZ 1500	X	CT 1500 CK 1500	CM 1500 CD 1500	X	CPH 2800 CP 3000	CS 3000	
SERIES	MINI 	COMPACT HEIGHT 	THREADED 	LOW PROFILE 	HEAVY DUTY 	ISO 	HEAVY LOAD 	POWER COMPACT STROKE 

**A14-063**



**A39-063**



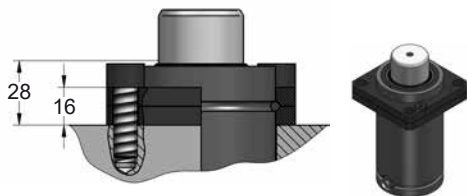
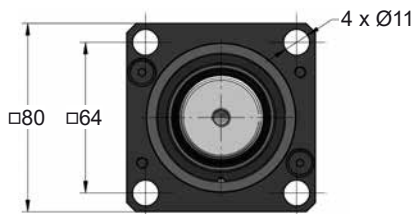
CODE	CT 1500 050	KIT S-XXXXXXX KIT C-XXXXXXX	A14-063	06 CG 2-Q
ENG ORDER	GAS SPRING	REPAIR KIT	FLANGE	CHARGING ADAPTER
DEU BESTELLUNG	GASDRUCKFEDER	ERSATZTEILSATZ	FLANSCHEN	LADEADAPTER
FRA COMMANDE	RESSORT À GAZ	KIT DE RÉPARATION	BRIDE	RACCORD DE CHARGE
ITA ORDINE	CILINDRO AD AZOTO	KIT DI MANUTENZIONE	FLANGE	ADATTATORE DI CARICO
ESP PEDIDO	RESORTE DE GAS	KIT DE REPARACION	BRIDA	ADAPTADOR DE CARGA
POR PEDIDO	CILINDRO DE GÁS	KIT DE MANUTENÇÃO	FLANGE	ADAPTADOR DE CARGA

# CT 1500 MOUNTS

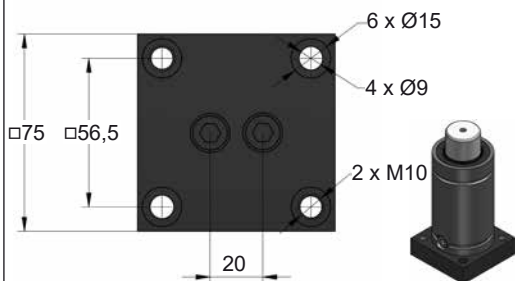
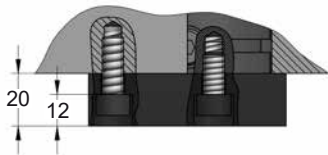
Low Profile

**AZOL**  
**GAS**

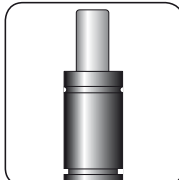
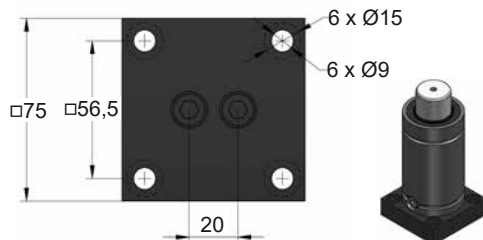
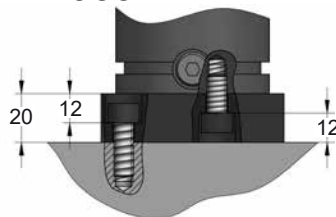
## A69-063



## B36-063



## B41-063



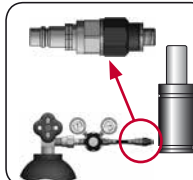
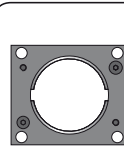
SEAL

KIT S-XXXXXXX



CARTRIDGE

KIT C-XXXXXXX



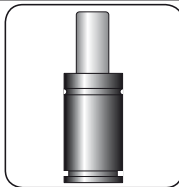
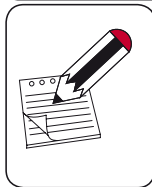
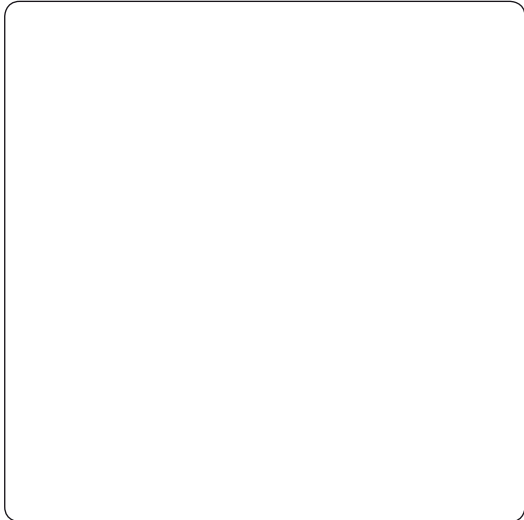
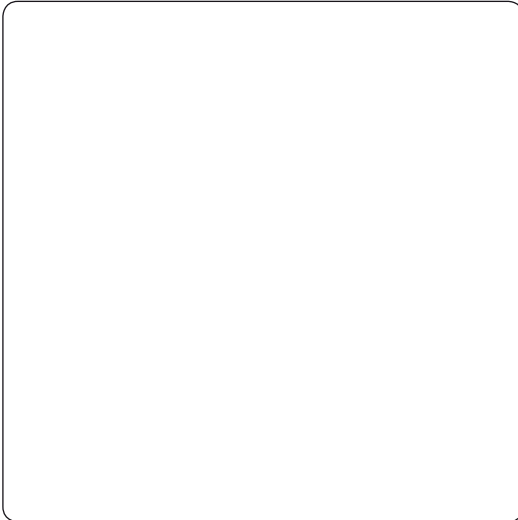
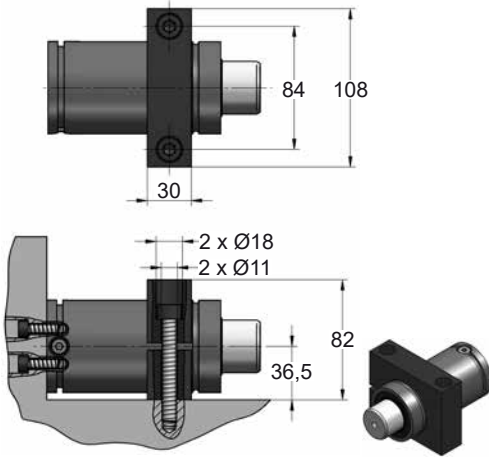
CODE	CT 1500 050	KIT S-XXXXXXX KIT C-XXXXXXX	A69-063	06 CG 2-Q
ENG ORDER	GAS SPRING	REPAIR KIT	FLANGE	CHARGING ADAPTER
DEU BESTELLUNG	GASDRUCKFEDER	ERSATZTEILSATZ	FLANSCHEN	LADEADAPTER
FRA COMMANDE	RESSORT À GAZ	KIT DE RÉPARATION	BRIDE	RACCORD DE CHARGE
ITA ORDINE	CILINDRO AD AZOTO	KIT DI MANUTENZIONE	FLANGE	ADATTATORE DI CARICO
ESP PEDIDO	RESORTE DE GAS	KIT DE REPARACION	BRIDA	ADAPTADOR DE CARGA
POR PEDIDO	CILINDRO DE GAS	KIT DE MANUTENÇÃO	FLANGE	ADAPTADOR DE CARGA



# CT 1500 MOUNTS

Low Profile

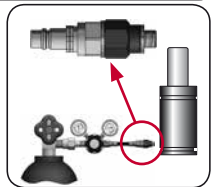
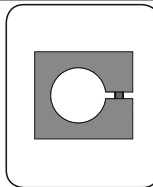
## D67-063



SEAL  
KIT S-XXXXXXX



CARTRIDGE  
KIT C-XXXXXXX

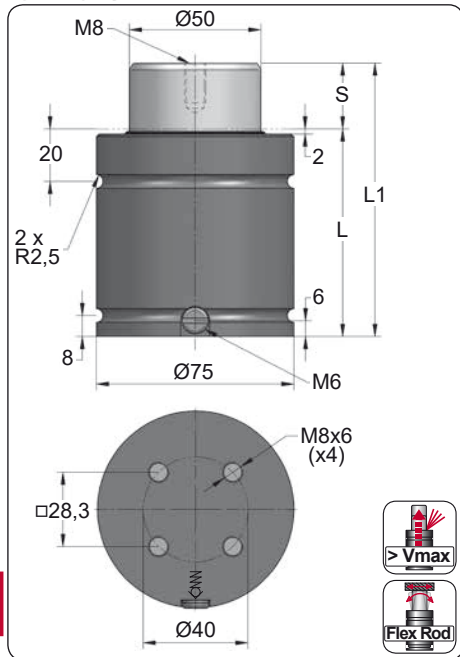


CODE	CT 1500 050	KIT S-XXXXXXX KIT C-XXXXXXX	D67-063	06 CG 2-Q
ENG ORDER	GAS SPRING	REPAIR KIT	FLANGE	CHARGING ADAPTER
DEU BESTELLUNG	GASDRUCKFEDER	ERSATZTEILSATZ	FLANSCHEN	LADEADAPTER
FRA COMMANDE	RESSORT À GAZ	KIT DE RÉPARATION	BRIDE	RACCORD DE CHARGE
ITA ORDINE	CILINDRO AD AZOTO	KIT DI MANUTENZIONE	FLANGE	ADATTATORE DI CARICO
ESP PEDIDO	RESORTE DE GAS	KIT DE REPARACION	BRIDA	ADAPTADOR DE CARGA
POR PEDIDO	CILINDRO DE GÁS	KIT DE MANUTENÇÃO	FLANGE	ADAPTADOR DE CARGA

# CT 3000

Low Profile

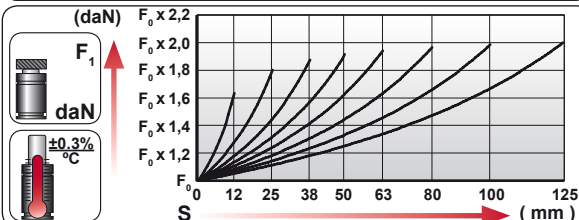
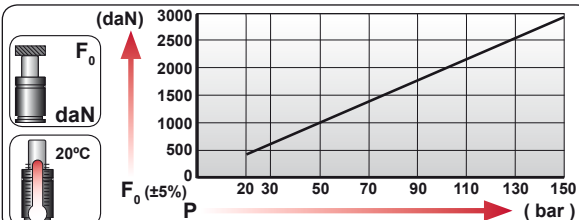


ORDER	S (mm)	L1 ±0,25 (mm)	L (mm)	Kg.
CT 3000 012	12	78	66	2.02
CT 3000 025	25	104	79	2.26
CT 3000 038	38	130	92	2.50
CT 3000 050	50	154	104	2.72
CT 3000 063	63	180	117	2.96
CT 3000 080	80	214	134	3.28
CT 3000 100	100	254	154	3.65
CT 3000 125	125	304	179	4.11



CODE	Pressure Gauge	Pressure (bar)	Pressure (psi)	F <sub>0</sub> (daN)	F <sub>1</sub> (daN)
CT 3000 050		150	2175	2945	5640
CT-H 3000 050		0	0	---	---

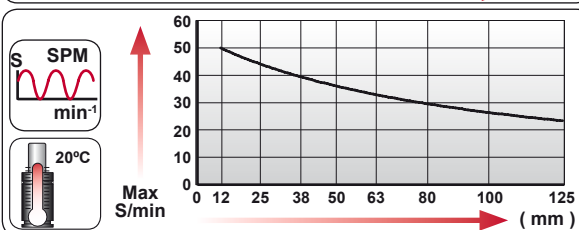


ENG	ORDER
DEU	BESTELLUNG
FRA	COMMANDE
ITA	ORDINE
ESP	PEDIDO
POR	PEDIDO

F<sub>0</sub> (daN)     S (mm)

**CT 3000 50**



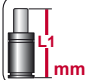


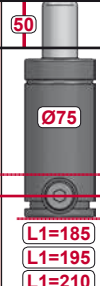
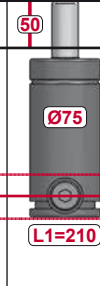
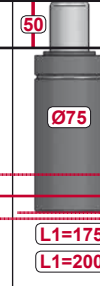
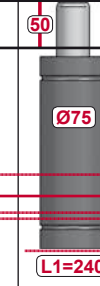
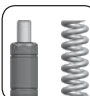

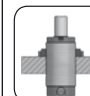


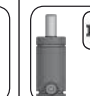


**CT 3000 050**



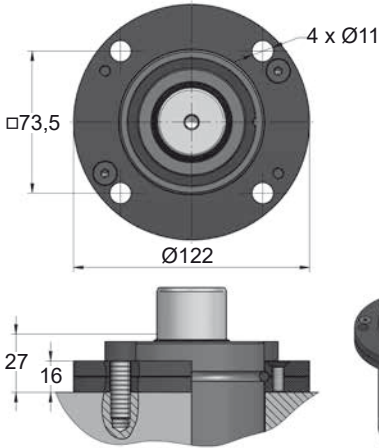
	S <sub>max</sub> < 100%	V	P <sub>min</sub> (20°C)	P <sub>max</sub> (20°C)	T <sub>min</sub>	T <sub>max</sub>	
--	-------------------------	---	-------------------------	-------------------------	------------------	------------------	--

N <sub>2</sub>	S <sub>max</sub> < 90%	V <sub>max</sub> 1,6 m/s	bar psi	bar psi	°C °F	°C °F	600 CP-
			20 290	150 2175	0 32	80 176	

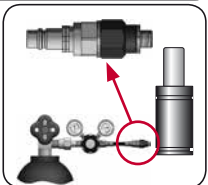
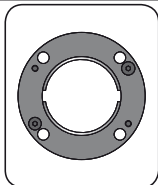
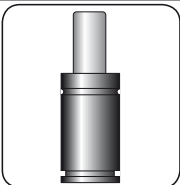
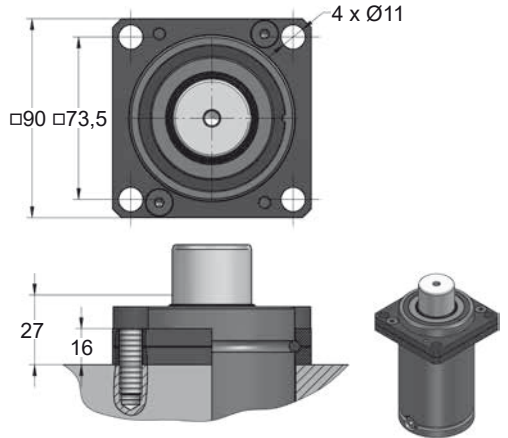


								
			50 Ø75 L1=145 L1=159	50 Ø75 L1=154 L1=160 L1=160	50 Ø75 L1=185 L1=195 L1=210	50 Ø75 L1=210	50 Ø75 L1=175 L1=200	50 Ø75 L1=240
MODEL	<b>X</b>	CW 2400 KZ 2400	<b>X</b>	CT 3000 CK 2500 FD 1500	GN 1500 CM 2500 CD 2400	AG 1500	CPH 4300 CP 5000	CS 4700
SERIES	MINI	COMPACT HEIGHT	THREADED	LOW PROFILE	HEAVY DUTY	ISO	HEAVY LOAD	POWER COMPACT STROKE
								

**A14-075**



**A34-075**



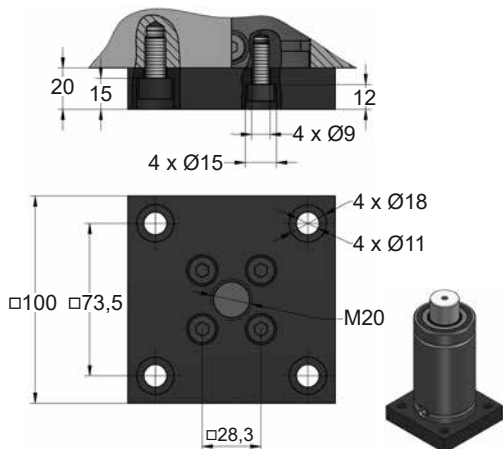
CODE	CT 3000 050	KIT S-XXXXXXX KIT C-XXXXXXX	A14-075	06 CG 2-Q
ENG ORDER	GAS SPRING	REPAIR KIT	FLANGE	CHARGING ADAPTER
DEU BESTELLUNG	GASDRUCKFEDER	ERSATZTEILSATZ	FLANSCHEN	LADEADAPTER
FRA COMMANDE	RESSORT À GAZ	KIT DE RÉPARATION	BRIDE	RACCORD DE CHARGE
ITA ORDINE	CILINDRO AD AZOTO	KIT DI MANUTENZIONE	FLANGE	ADATTATORE DI CARICO
ESP PEDIDO	RESORTE DE GAS	KIT DE REPARACION	BRIDA	ADAPTADOR DE CARGA
POR PEDIDO	CILINDRO DE GÁS	KIT DE MANUTENÇÃO	FLANGE	ADAPTADOR DE CARGA

# CT 3000 MOUNTS

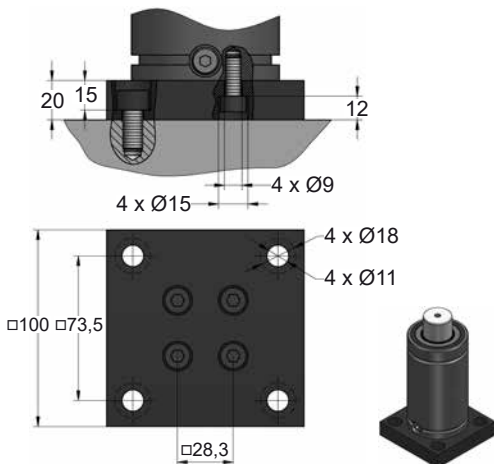
Low Profile

**AZOL  
GAS**

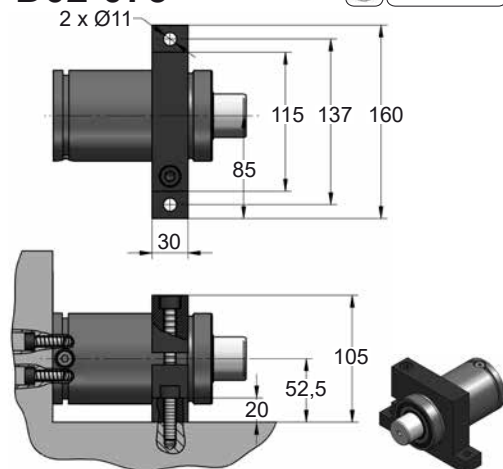
## B36-075



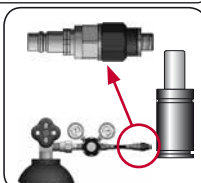
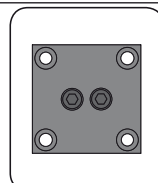
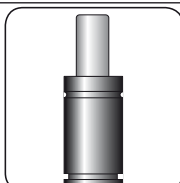
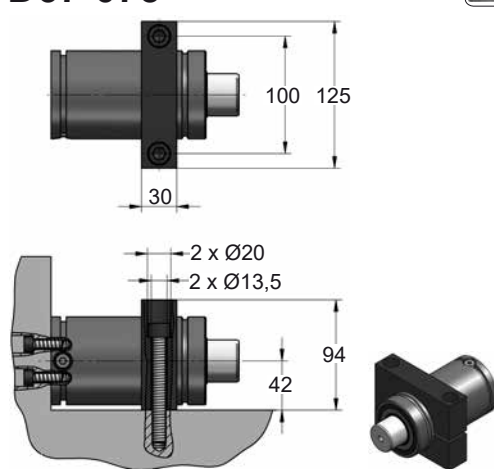
## B41-075



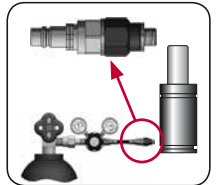
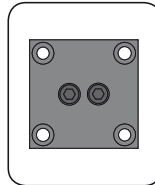
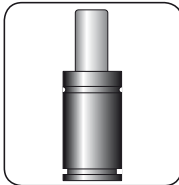
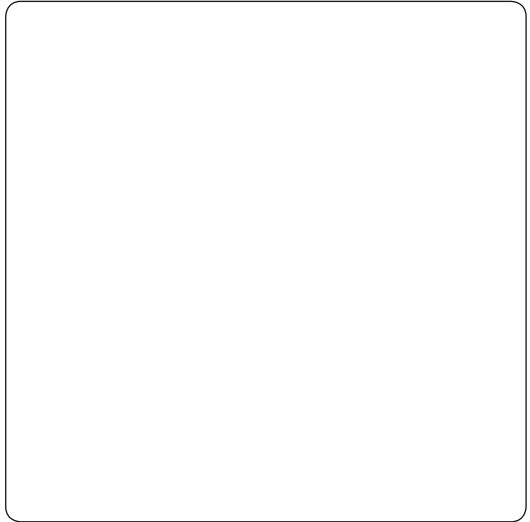
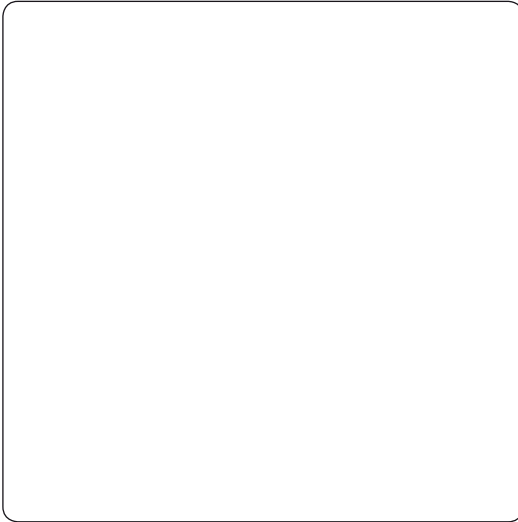
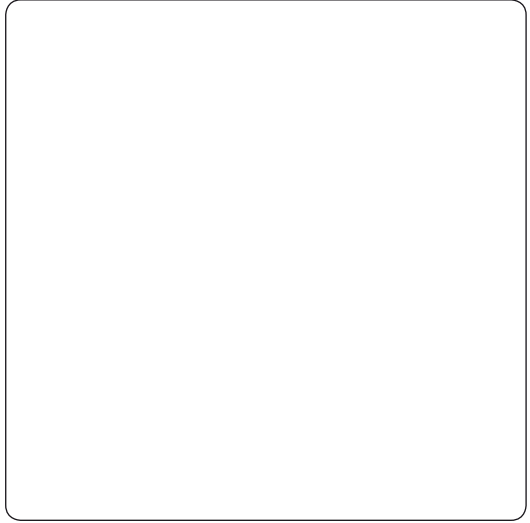
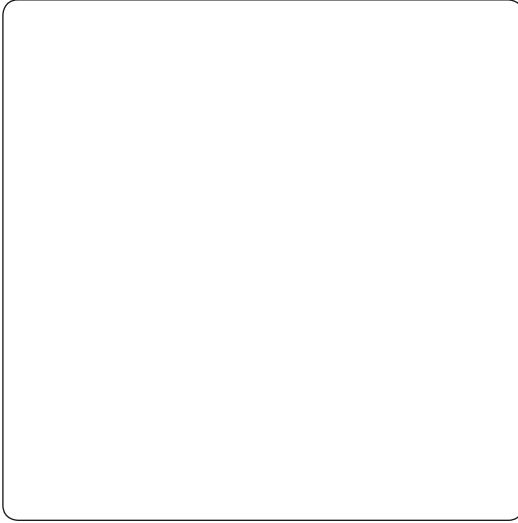
## D02-075



## D67-075



CODE	CT 3000 050	KIT S-XXXXXXX KIT C-XXXXXXX	B36-075	06 CG 2-Q
ENG ORDER	GAS SPRING	REPAIR KIT	FLANGE	CHARGING ADAPTER
DEU BESTELLUNG	GASDRUCKFEDER	ERSATZTEILSATZ	FLANSCHEN	LADEADAPTER
FRA COMMANDE	RESSORT À GAZ	KIT DE RÉPARATION	BRIDE	RACCORD DE CHARGE
ITA ORDINE	CILINDRO AD AZOTO	KIT DI MANUTENZIONE	FLANGE	ADATTATORE DI CARICO
ESP PEDIDO	RESORTE DE GAS	KIT DE REPARACION	BRIDA	ADAPTADOR DE CARGA
POR PEDIDO	CILINDRO DE GÁS	KIT DE MANUTENÇÃO	FLANGE	ADAPTADOR DE CARGA

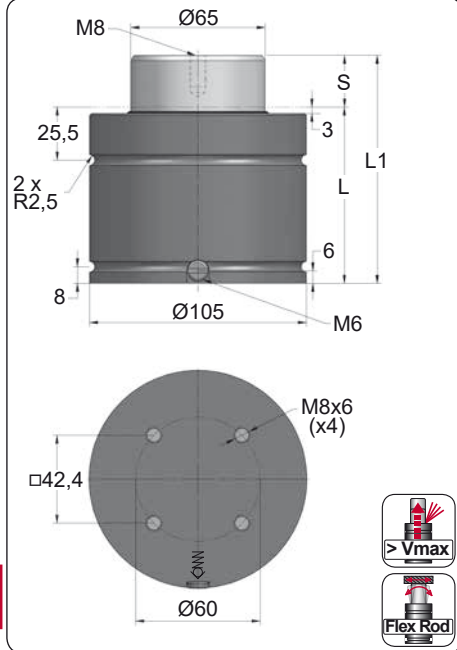


CODE	CT 3000 050	KIT S-XXXXXXX KIT C-XXXXXXX	B36-075	06 CG 2-Q
ENG ORDER	GAS SPRING	REPAIR KIT	FLANGE	CHARGING ADAPTER
DEU BESTELLUNG	GASDRUCKFEDER	ERSATZTEILSATZ	FLANSCHEN	LADEADAPTER
FRA COMMANDE	RESSORT À GAZ	KIT DE RÉPARATION	BRIDE	RACCORD DE CHARGE
ITA ORDINE	CILINDRO AD AZOTO	KIT DI MANUTENZIONE	FLANGE	ADATTATORE DI CARICO
ESP PEDIDO	RESORTE DE GAS	KIT DE REPARACION	BRIDA	ADAPTADOR DE CARGA
POR PEDIDO	CILINDRO DE GÁS	KIT DE MANUTENÇÃO	FLANGE	ADAPTADOR DE CARGA

# CT 5000

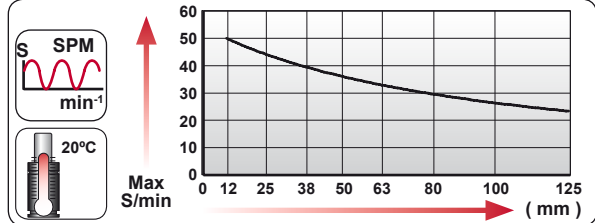
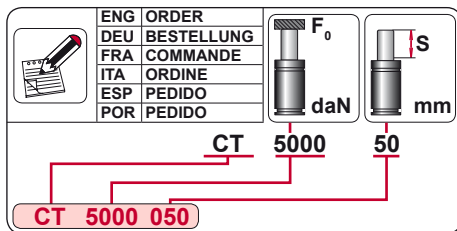
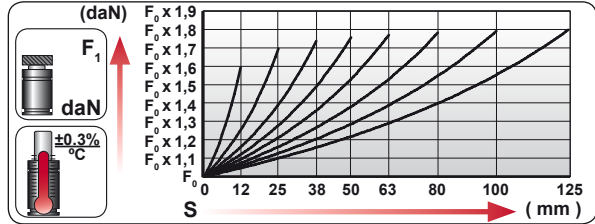
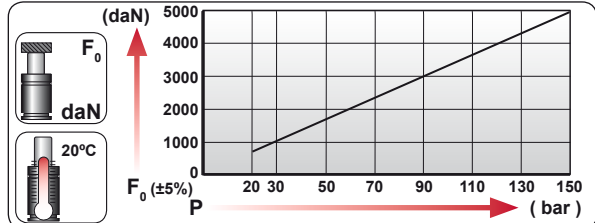
Low Profile



ORDER	S (mm)	L1 ±0,25 (mm)	L (mm)	Kg.
CT 5000 012	12	84	72	3.48
CT 5000 025	25	110	85	3.92
CT 5000 038	38	136	98	4.37
CT 5000 050	50	160	110	4.78
CT 5000 063	63	186	123	5.22
CT 5000 080	80	220	140	5.80
CT 5000 100	100	260	160	6.49
CT 5000 125	125	310	185	7.34

CODE	Pressure Gauge	bar	psi	F <sub>0</sub> daN	F <sub>1</sub> daN
CT 5000 050		150	2175	4980	8750
CT-H 5000 050		0	0	---	---



N<sub>2</sub>

S<sub>max</sub> < 90%

V<sub>max</sub> 1,6 m/s

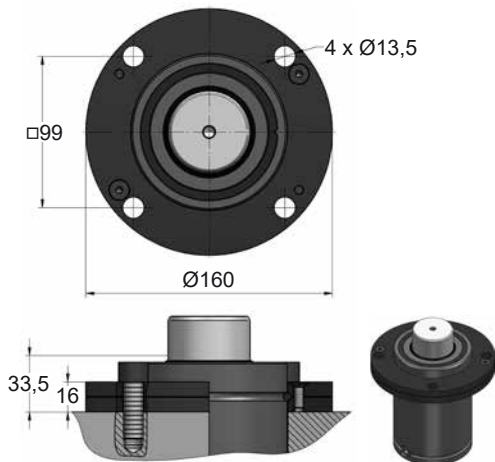
P<sub>min</sub> (20°C)  
P<sub>max</sub> (20°C)

T<sub>min</sub>  
T<sub>max</sub>

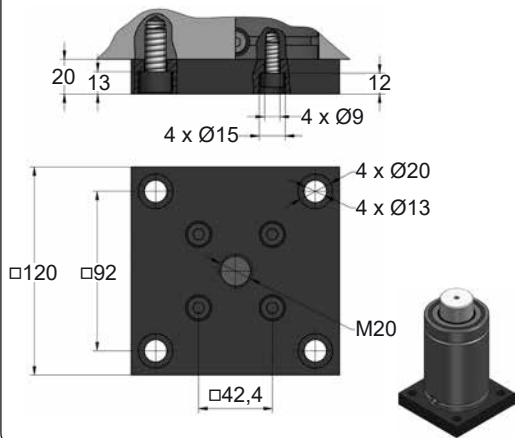
600 CP-

N <sub>2</sub>	S <sub>max</sub> < 90%	V <sub>max</sub> 1,6 m/s	bar psi	bar psi	°C °F	°C °F	600 CP-
			20 290	150 2175	0 32	80 176	

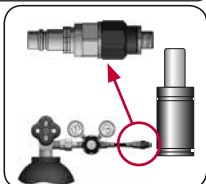
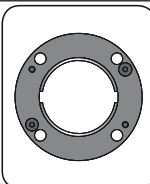
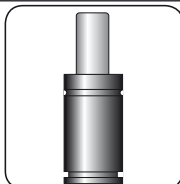
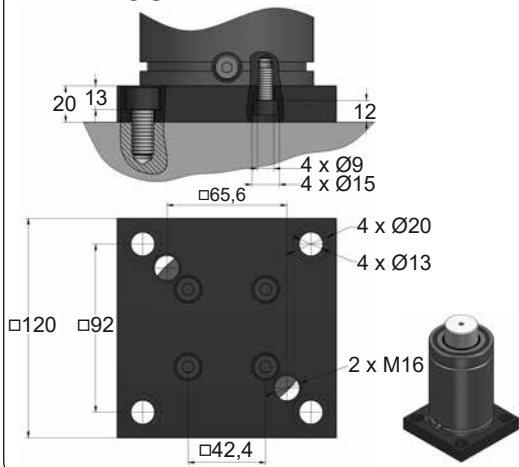
**A14-105**



**B36-105**



**B41-105**



CODE	CT 5000 050	KIT S-XXXXXXX KIT C-XXXXXXX	A14-105	06 CG 2-Q
ENG ORDER	GAS SPRING	REPAIR KIT	FLANGE	CHARGING ADAPTER
DEU BESTELLUNG	GASDRUCKFEDER	ERSATZTEILSATZ	FLANSCHEN	LADEADAPTER
FRA COMMANDE	RESSORT À GAZ	KIT DE RÉPARATION	BRIDE	RACCORD DE CHARGE
ITA ORDINE	CILINDRO AD AZOTO	KIT DI MANUTENZIONE	FLANGE	ADATTATORE DI CARICO
ESP PEDIDO	RESORTE DE GAS	KIT DE REPARACION	BRIDA	ADAPTADOR DE CARGA
POR PEDIDO	CILINDRO DE GAS	KIT DE MANUTENÇÃO	FLANGE	ADAPTADOR DE CARGA





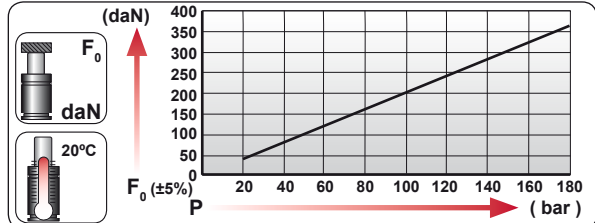
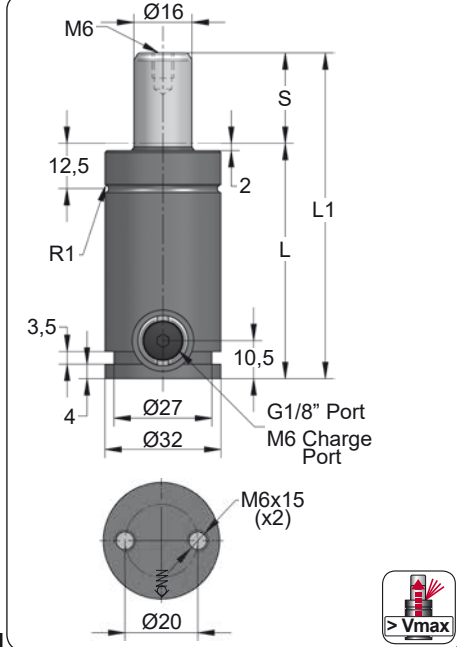
# KZ 350

Compact Height

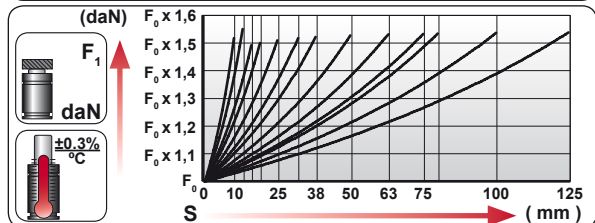




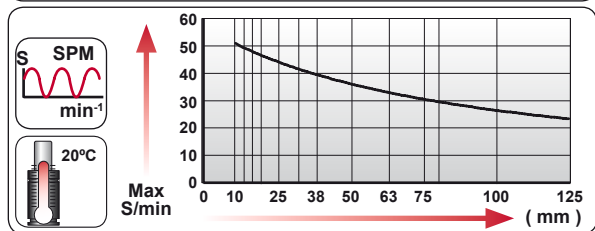

ORDER	S (mm)	L1 ±0.25 (mm)	L (mm)	Kg.
KZ 350 010	10	60	50	0.23
KZ 350 013	13	66	53	0.24
KZ 350 016	16	72	56	0.25
KZ 350 019	19	78	59	0.26
KZ 350 025	25	90	65	0.28
KZ 350 032	32	104	72	0.31
KZ 350 038	38	116	78	0.33
KZ 350 050	50	140	90	0.37
KZ 350 063	63	166	103	0.41
KZ 350 075	75	190	115	0.45
KZ 350 080	80	200	120	0.47
KZ 350 100	100	240	140	0.54
KZ 350 125	125	290	165	0.62



CODE				
		bar	psi	daN
KZ 350 050		180	2610	360
KZ-H 350 050		0	0	---



	ENG ORDER DEU BESTELLUNG FRA COMMANDE ITA ORDINE ESP PEDIDO POR PEDIDO		
		daN	mm
		<b>KZ 350</b>	<b>50</b>
		<b>KZ 350 050</b>	

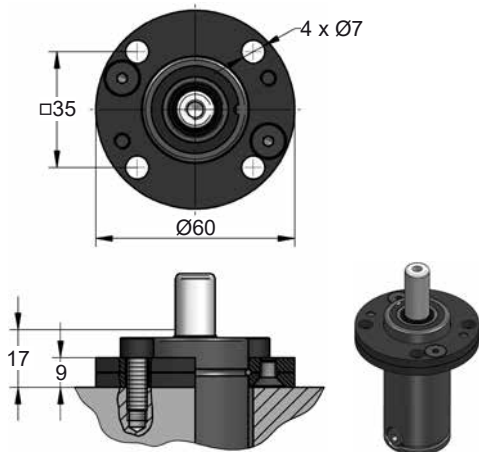


N <sub>2</sub>	S <sub>max</sub> < 90%	V <sub>max</sub> 1,6 m/s	P <sub>min</sub> (20°C)	P <sub>max</sub> (20°C)	T <sub>min</sub>	T <sub>max</sub>	600 CP-

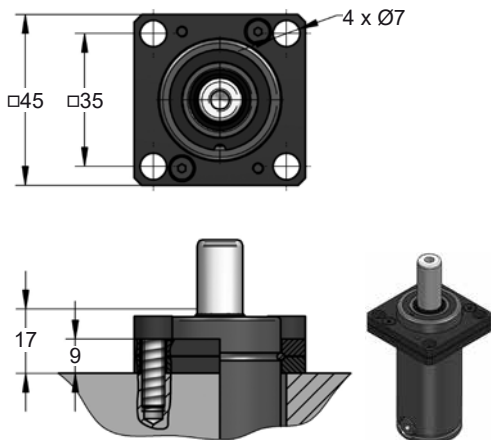
bar	psi	bar	psi	°C	°F	°C	°F
20	290	180	2610	0	32	80	176



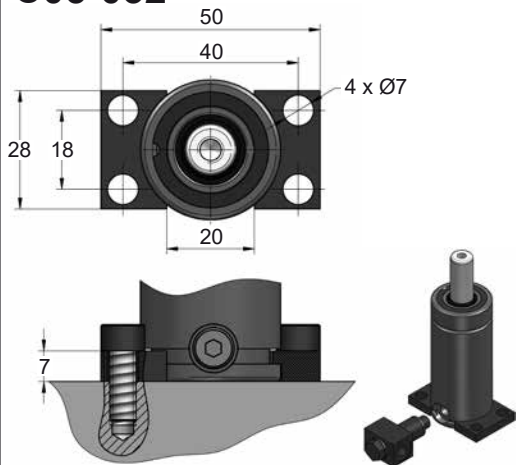
## A14-032



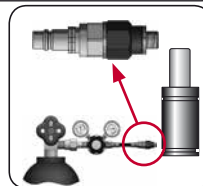
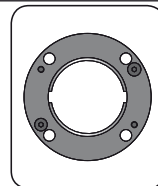
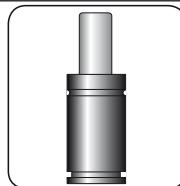
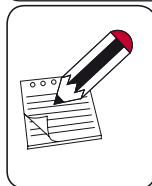
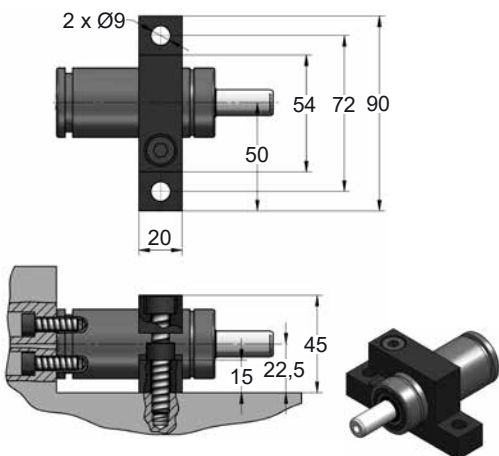
## A34-032



## C05-032



## D02-032

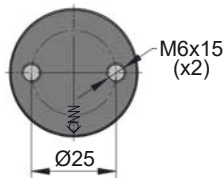
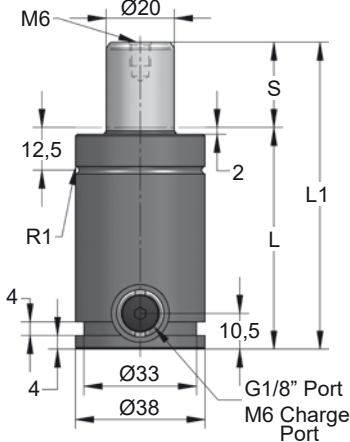


CODE	KZ 350 050	KIT S-XXXXXXX KIT C-XXXXXXX	A14-032	06 CG 2-Q
ENG ORDER	GAS SPRING	REPAIR KIT	FLANGE	CHARGING ADAPTER
DEU BESTELLUNG	GASDRUCKFEDER	ERSATZTEILSATZ	FLANSCHEN	LADEADAPTER
FRA COMMANDE	RESSORT À GAZ	KIT DE RÉPARATION	BRIDE	RACCORD DE CHARGE
ITA ORDINE	CILINDRO AD AZOTO	KIT DI MANUTENZIONE	FLANGE	ADATTATORE DI CARICO
ESP PEDIDO	RESORTE DE GAS	KIT DE REPARACION	BRIDA	ADAPTADOR DE CARGA
POR PEDIDO	CILINDRO DE GAS	KIT DE MANUTENÇÃO	FLANGE	ADAPTADOR DE CARGA

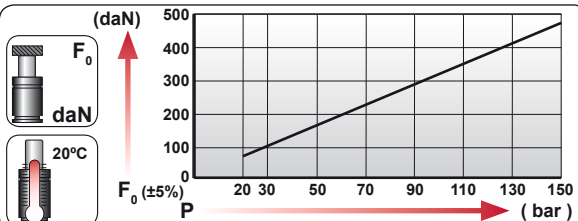
# KZ 500

Compact Height

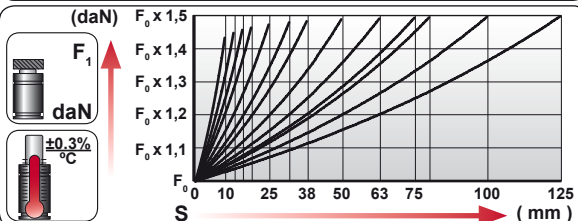


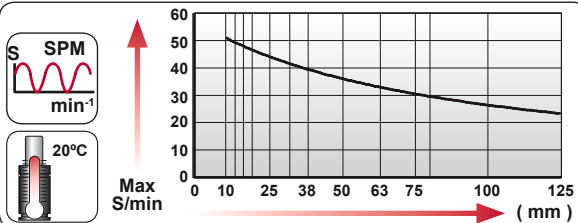
ORDER	S (mm)	L1 ±0.25 (mm)	L (mm)	Kg.
KZ 500 010	10	60	50	0.24
KZ 500 013	13	66	53	0.25
KZ 500 016	16	72	56	0.26
KZ 500 019	19	78	59	0.27
KZ 500 025	25	90	65	0.30
KZ 500 032	32	104	72	0.32
KZ 500 038	38	116	78	0.35
KZ 500 050	50	140	90	0.40
KZ 500 063	63	166	103	0.45
KZ 500 075	75	190	115	0.50
KZ 500 080	80	200	120	0.52
KZ 500 100	100	240	140	0.60
KZ 500 125	125	290	165	0.70



CODE				
		bar psi	daN	daN
KZ 500 050		150 2175	470	700
KZ-H 500 050		0 0	---	---



ENG ORDER	DEU BESTELLUNG	FRA COMMANDE	ITA ORDINE	ESP PEDIDO	POR PEDIDO		
						daN	mm
KZ	500	50					
KZ	500 050						



N <sub>2</sub>	S <sub>max</sub> < 90%	V <sub>max</sub> 1,6 m/s	P <sub>min</sub> (20°C)	P <sub>max</sub> (20°C)	T <sub>min</sub>	T <sub>max</sub>	600 CP-

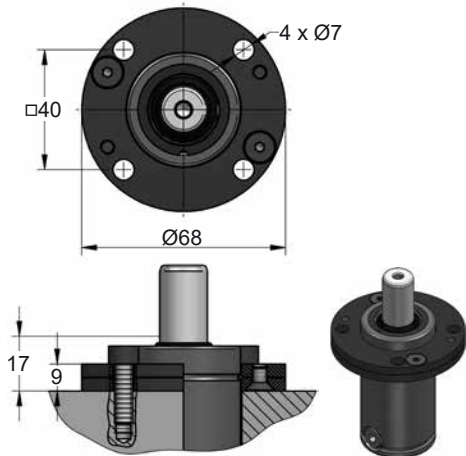
bar psi	bar psi	°C °F	°C °F	
20 290	150 2175	0 32	80 176	



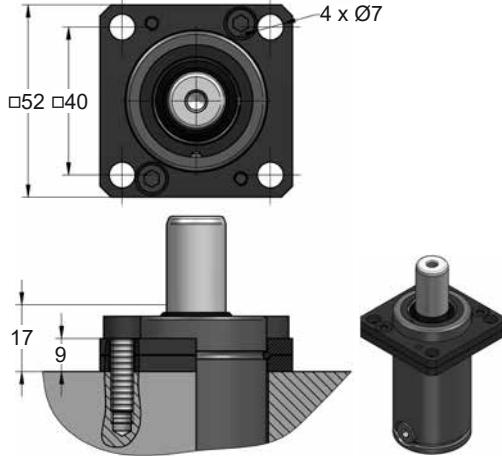
# KZ 500 MOUNTS

Compact Height

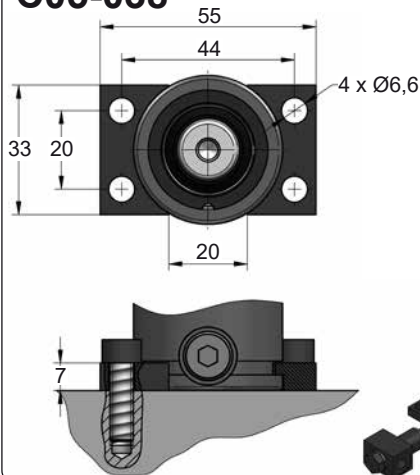
## A14-038



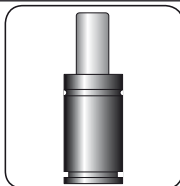
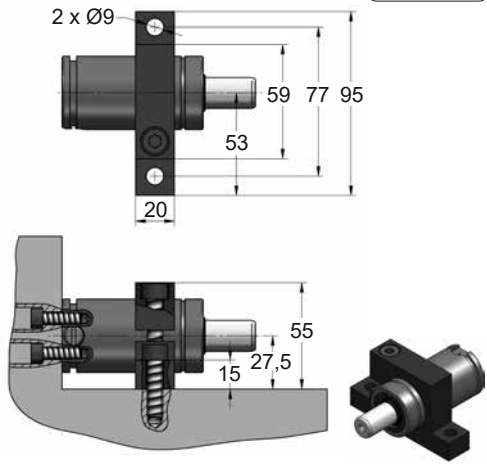
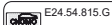
## A34-038



## C05-038



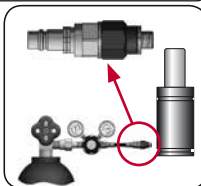
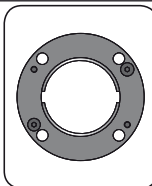
## D02-038



SEAL  
KIT S-XXXXXXX



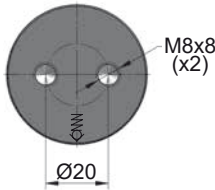
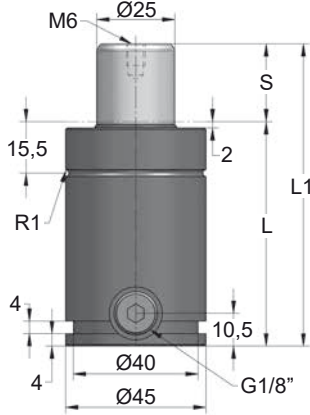
CARTRIDGE  
KIT C-XXXXXXX



CODE	KZ 500 050	KIT S-XXXXXXX KIT C-XXXXXXX	A14-038	06 CG 2-Q
ENG ORDER	GAS SPRING	REPAIR KIT	FLANGE	CHARGING ADAPTER
DEU BESTELLUNG	GASDRUCKFEDER	ERSATZTEILSATZ	FLANSCHEN	LADEADAPTER
FRA COMMANDE	RESSORT À GAZ	KIT DE RÉPARATION	BRIDE	RACCORD DE CHARGE
ITA ORDINE	CILINDRO AD AZOTO	KIT DI MANUTENZIONE	FLANGE	ADATTATORE DI CARICO
ESP PEDIDO	RESORTE DE GAS	KIT DE REPARACION	BRIDA	ADAPTADOR DE CARGA
POR PEDIDO	CILINDRO DE GAS	KIT DE MANUTENÇÃO	FLANGE	ADAPTADOR DE CARGA

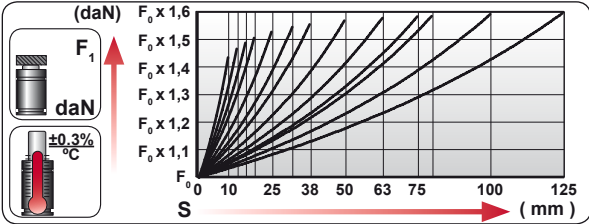
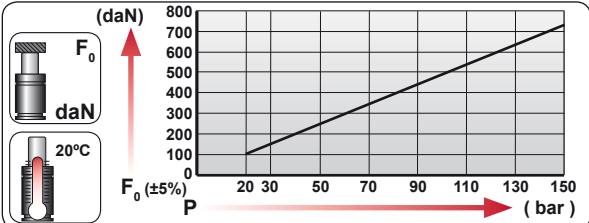
# KZ 750 V1

Compact Height

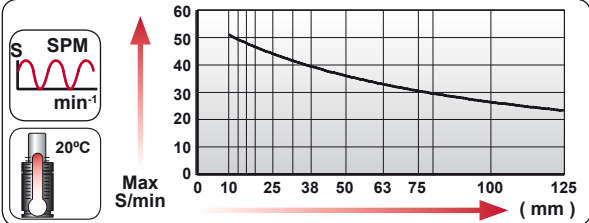


ORDER	S (mm)	L1 ±0.25 (mm)	L (mm)	Kg.
KZ 750 010 V1	10	67	57	0.54
KZ 750 013 V1	13	73	60	0.56
KZ 750 016 V1	16	79	63	0.58
KZ 750 019 V1	19	85	66	0.59
KZ 750 025 V1	25	97	72	0.63
KZ 750 032 V1	32	111	79	0.67
KZ 750 038 V1	38	123	85	0.71
KZ 750 050 V1	50	147	97	0.79
KZ 750 063 V1	63	173	110	0.87
KZ 750 075 V1	75	197	122	0.94
KZ 750 080 V1	80	207	127	0.97
KZ 750 100 V1	100	247	147	1.10
KZ 750 125 V1	125	297	172	1.25

CODE				
		bar psi	daN	daN
KZ 750 050 V1		150 2175	735	1150
KZ-H 750 050 V1		0 0	---	---



	ENG ORDER DEU BESTELLUNG FRA COMMANDE ITA ORDINE ESP PEDIDO POR PEDIDO		
		daN	mm
		KZ 750	50
		KZ 750 050 V1	



N <sub>2</sub>	S <sub>max</sub> < 90%	V <sub>max</sub> 1,6 m/s	P <sub>min</sub> (20°C)	P <sub>max</sub> (20°C)	T <sub>min</sub>	T <sub>max</sub>	600 CP-

bar psi	bar psi	°C °F	°C °F
20 290	150 2175	0 32	80 176

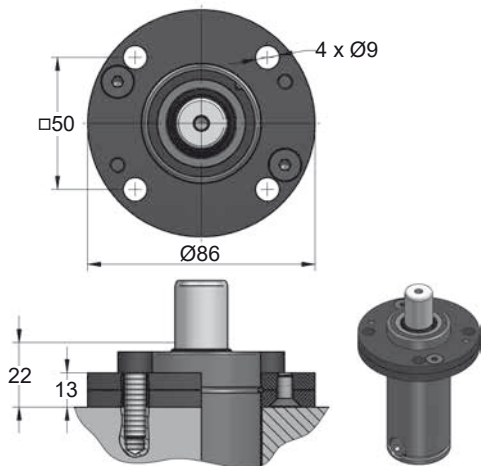


# KZ 750 V1 MOUNTS

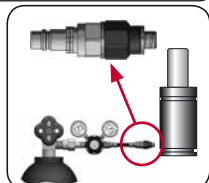
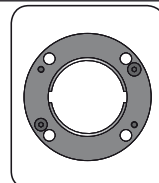
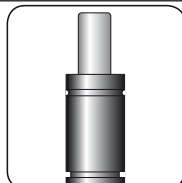
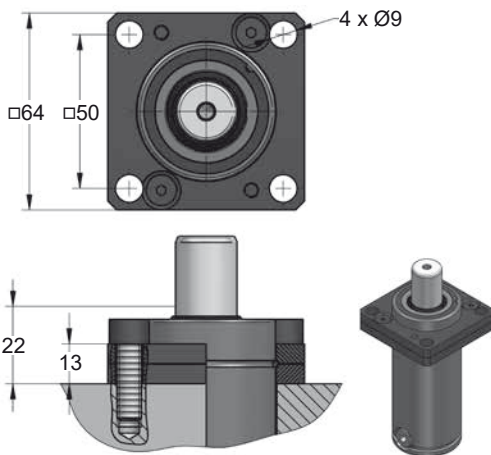
Compact Height

<b>MODEL</b>	<b>X</b>	CW 750 KZ 750 KT 750	<b>X</b>	CK 750 FD 500	CM 600 CD 700	AG 500	CPH 1250	<b>X</b>
<b>SERIES</b>	MINI	COMPACT HEIGHT	THREADED	LOW PROFILE	HEAVY DUTY	ISO	HEAVY LOAD	POWER COMPACT STROKE

## A14-045



## A34-045



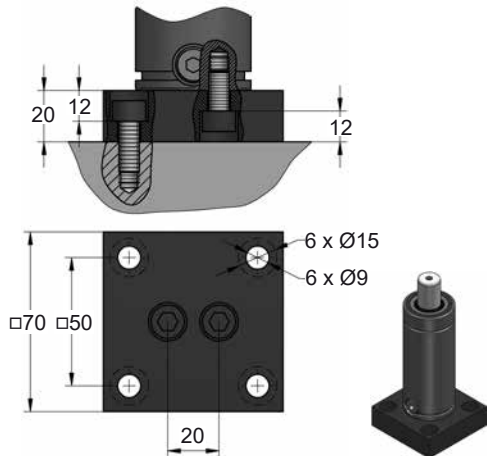
<b>CODE</b>	<b>KZ 750 050 V1</b>	<b>KIT S-XXXXXXX</b> <b>KIT C-XXXXXXX</b>	<b>A14-045</b>	<b>18 CG 1-Q</b>
ENG ORDER	GAS SPRING	REPAIR KIT	FLANGE	CHARGING ADAPTER
DEU BESTELLUNG	GASDRUCKFEDER	ERSATZTEILSATZ	FLANSCHEN	LADEADAPTER
FRA COMMANDE	RESSORT À GAZ	KIT DE RÉPARATION	BRIDE	RACCORD DE CHARGE
ITA ORDINE	CILINDRO AD AZOTO	KIT DI MANUTENZIONE	FLANGE	ADATTATORE DI CARICO
ESP PEDIDO	RESORTE DE GAS	KIT DE REPARACION	BRIDA	ADAPTADOR DE CARGA
POR PEDIDO	CILINDRO DE GÁS	KIT DE MANUTENÇÃO	FLANGE	ADAPTADOR DE CARGA

# KZ 750 V1 MOUNTS

Compact Height

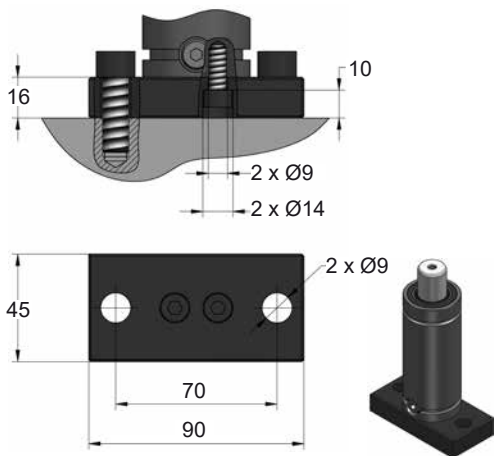


## B21-045



## B43-045

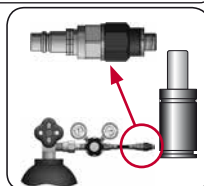
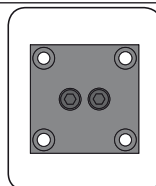
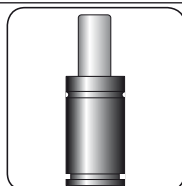
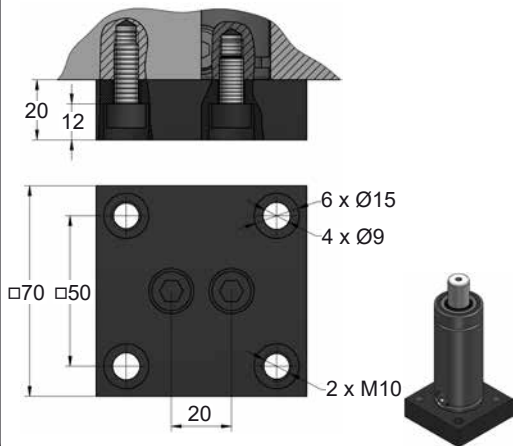
K32 P0  
EM24.54.700/F



## B76-045



E24.54.815.G

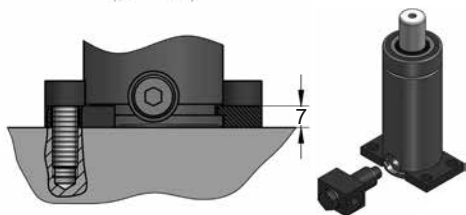
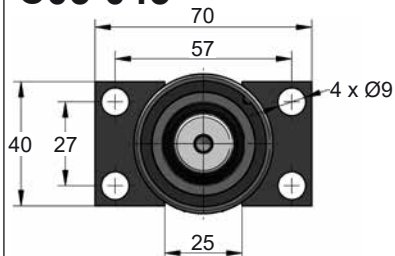


CODE	KZ 750 050 V1	KIT S-XXXXXXX KIT C-XXXXXXX	B21-045	18 CG 1-Q
ENG ORDER	GAS SPRING	REPAIR KIT	FLANGE	CHARGING ADAPTER
DEU BESTELLUNG	GASDRUCKFEDER	ERSATZTEILSATZ	FLANSCHEN	LADEADAPTER
FRA COMMANDE	RESSORT À GAZ	KIT DE RÉPARATION	BRIDE	RACCORD DE CHARGE
ITA ORDINE	CILINDRO AD AZOTO	KIT DI MANUTENZIONE	FLANGE	ADATTATORE DI CARICO
ESP PEDIDO	RESORTE DE GAS	KIT DE REPARACION	BRIDA	ADAPTADOR DE CARGA
POR PEDIDO	CILINDRO DE GAS	KIT DE MANUTENÇÃO	FLANGE	ADAPTADOR DE CARGA

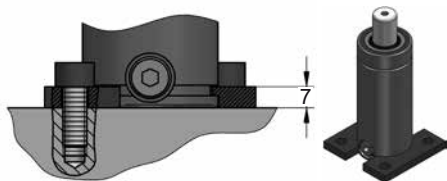
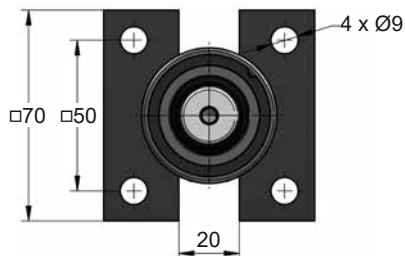
# KZ 750 V1 MOUNTS

Compact Height

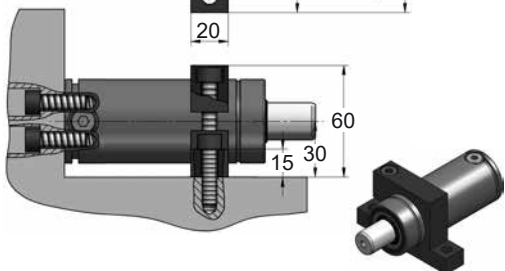
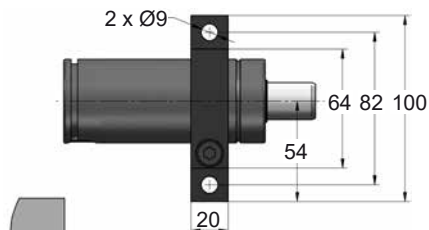
## C05-045



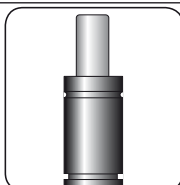
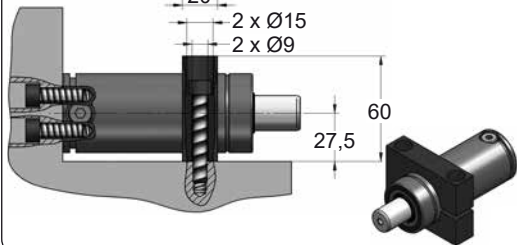
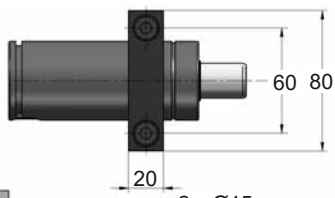
## C20-045



## D02-045



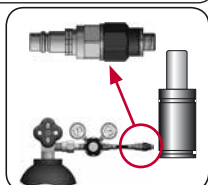
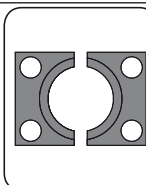
## D67-045



**SEAL  
KIT S-XXXXXXX**



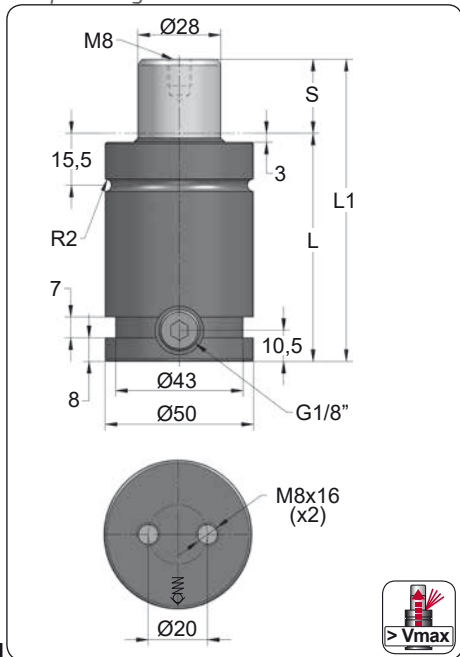
**CARTRIDGE  
KIT C-XXXXXXX**



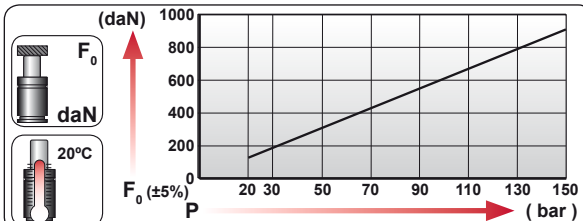
CODE	KZ 750 050 V1	KIT S-XXXXXXX KIT C-XXXXXXX	C05-045	18 CG 1-Q
ENG	ORDER	GAS SPRING	REPAIR KIT	FLANGE
DEU	BESTELLUNG	GASDRUCKFEDER	ERSATZTEILSATZ	FLANSCHEN
FRA	COMMANDE	RESSORT À GAZ	KIT DE RÉPARATION	BRIDE
ITA	ORDINE	CILINDRO AD AZOTO	KIT DI MANUTENZIONE	FLANGE
ESP	PEDIDO	RESORTE DE GAS	KIT DE REPARACION	BRIDA
POR	PEDIDO	CILINDRO DE GAS	KIT DE MANUTENÇÃO	FLANGE
				CHARGING ADAPTER
				LADEADAPTER
				RACCORD DE CHARGE
				ADATTATORE DI CARICO
				ADAPTADOR DE CARGA
				ADAPTADOR DE CARGA

# KZ 1000 V1

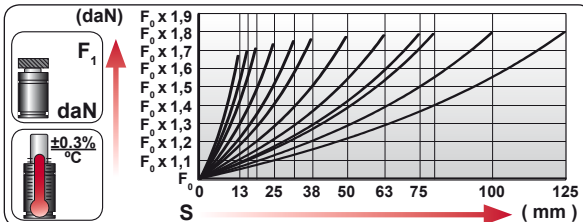
Compact Height



ORDER	S (mm)	L1 ±0.25 (mm)	L (mm)	Kg.
KZ 1000 013 V1	13	78	65	0.74
KZ 1000 016 V1	16	84	68	0.76
KZ 1000 019 V1	19	90	71	0.79
KZ 1000 025 V1	25	102	77	0.84
KZ 1000 032 V1	32	116	84	0.90
KZ 1000 038 V1	38	128	90	0.95
KZ 1000 050 V1	50	152	102	1.05
KZ 1000 063 V1	63	178	115	1.16
KZ 1000 075 V1	75	202	127	1.26
KZ 1000 080 V1	80	212	132	1.30
KZ 1000 100 V1	100	252	152	1.47
KZ 1000 125 V1	125	302	177	1.68

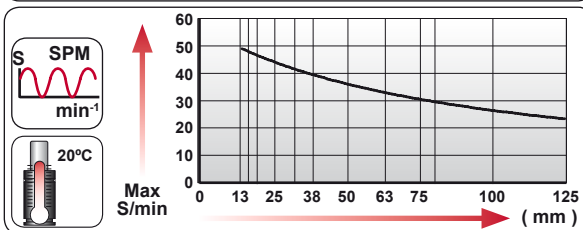


CODE	Pressure (bar/psi)	Force F <sub>0</sub> (daN)	Force F <sub>1</sub> (daN)
KZ 1000 050 V1	150 / 2175	920	1495
KZ-H 1000 050 V1	0 / 0	---	---



ENG ORDER  
 DEU BESTELLUNG  
 FRA COMMANDE  
 ITA ORDINE  
 ESP PEDIDO  
 POR PEDIDO

**KZ 1000 50 V1**



N <sub>2</sub>	Smax < 90%	Vmax 1,6 m/s	bar psi 20 290	bar psi 150 2175	°C °F 0 32	°C °F 80 176	600 CP-
----------------	------------	--------------	-------------------	---------------------	---------------	-----------------	---------



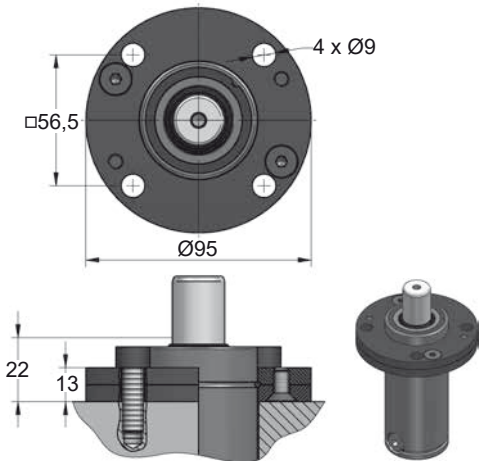


# KZ 1000 V1 MOUNTS

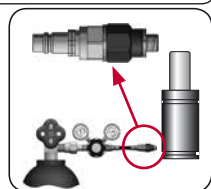
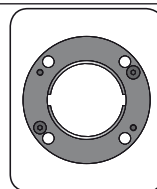
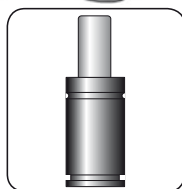
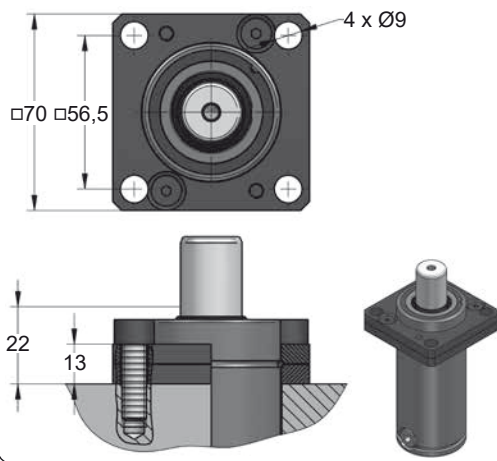
Compact Height

	<b>L1=138</b> <b>L1=152</b> <b>L1=152</b>	<b>L1=138</b> <b>L1=150</b> <b>L1=150</b>	<b>L1=170</b> <b>L1=185</b> <b>L1=195</b>	<b>L1=195</b>	<b>L1=165</b> <b>L1=175</b>	<b>L1=220</b>		
<b>MODEL</b>	<b>X</b> CW 1000 KZ 1000 KT 1000	<b>X</b>	CT 750 CK 1000 FD 750	GN 750 CM 1000 CD 1000	AG 750	CPH 1700 CP 2000	CS 1800	
<b>SERIES</b>	MINI 	COMPACT HEIGHT 	THREADED 	LOW PROFILE 	HEAVY DUTY 	ISO 	HEAVY LOAD 	POWER COMPACT STROKE 

## A14-050



## A34-050



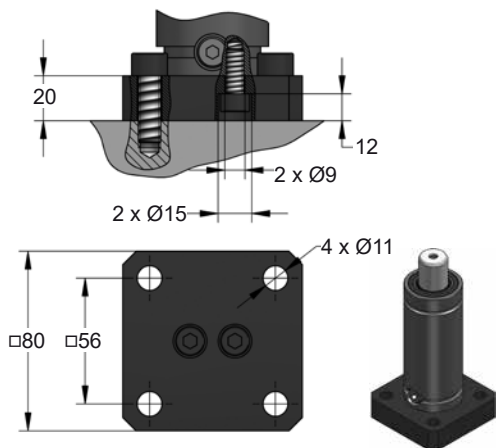
<b>CODE</b>	<b>KZ 1000 050 V1</b>	<b>KIT S-XXXXXXX</b> <b>KIT C-XXXXXXX</b>	<b>A14-050</b>	<b>18 CG 1-Q</b>
ENG ORDER	GAS SPRING	REPAIR KIT	FLANGE	CHARGING ADAPTER
DEU BESTELLUNG	GASDRUCKFEDER	ERSATZTEILSATZ	FLANSCHEN	LADEADAPTER
FRA COMMANDE	RESSORT À GAZ	KIT DE RÉPARATION	BRIDE	RACCORD DE CHARGE
ITA ORDINE	CILINDRO AD AZOTO	KIT DI MANUTENZIONE	FLANGE	ADATTATORE DI CARICO
ESP PEDIDO	RESORTE DE GAS	KIT DE REPARACION	BRIDA	ADAPTADOR DE CARGA
POR PEDIDO	CILINDRO DE GÁS	KIT DE MANUTENÇÃO	FLANGE	ADAPTADOR DE CARGA

# KZ 1000 V1 MOUNTS

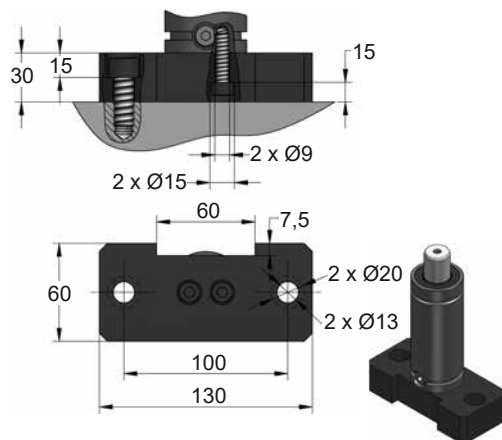
Compact Height

**AZOL**  
**GAS**

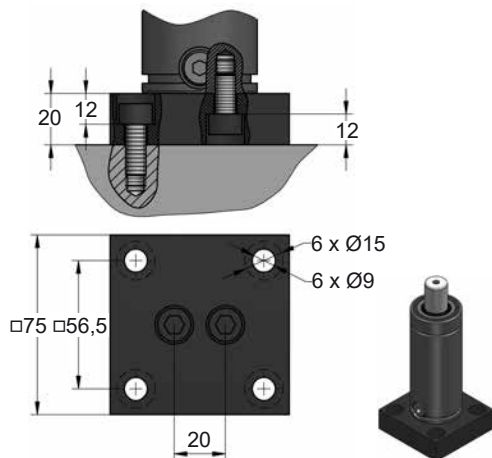
## B13-050



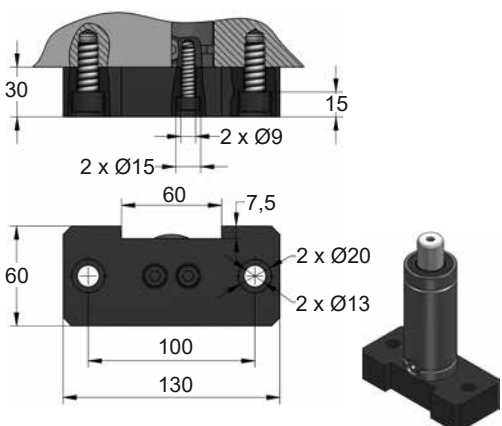
## B18-050



## B21-050



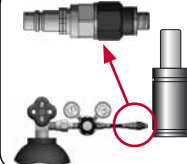
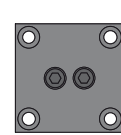
## B28-050



SEAL  
KIT S-XXXXXXX



CARTRIDGE  
KIT C-XXXXXXX



CODE	KZ 1000 050 V1	KIT S-XXXXXXX KIT C-XXXXXXX	B13-050	18 CG 1-Q
ENG ORDER	GAS SPRING	REPAIR KIT	FLANGE	CHARGING ADAPTER
DEU BESTELLUNG	GASDRUCKFEDER	ERSATZTEILSATZ	FLANSCH	LADEADAPTER
FRA COMMANDE	RESSORT À GAZ	KIT DE RÉPARATION	BRIDE	RACCORD DE CHARGE
ITA ORDINE	CILINDRO AD AZOTO	KIT DI MANUTENZIONE	FLANGE	ADATTATORE DI CARICO
ESP PEDIDO	RESORTE DE GAS	KIT DE REPARACION	BRIDA	ADAPTADOR DE CARGA
POR PEDIDO	CILINDRO DE GÁS	KIT DE MANUTENÇÃO	FLANGE	ADAPTADOR DE CARGA

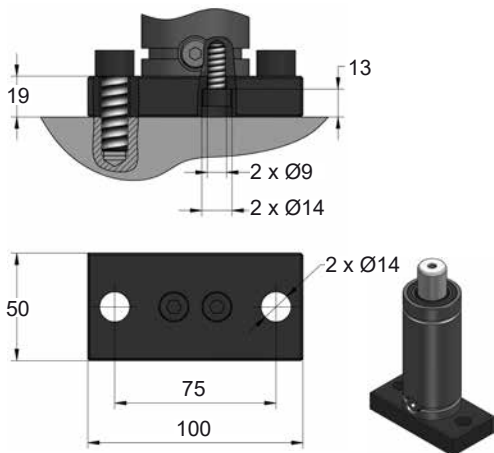


# KZ 1000 V1 MOUNTS

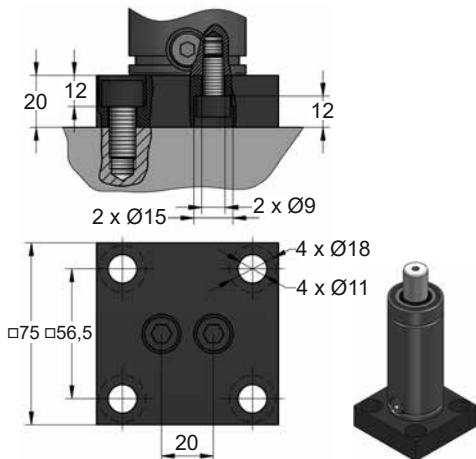
Compact Height

## B43-050

K32 P0  
EM24.54.700/F

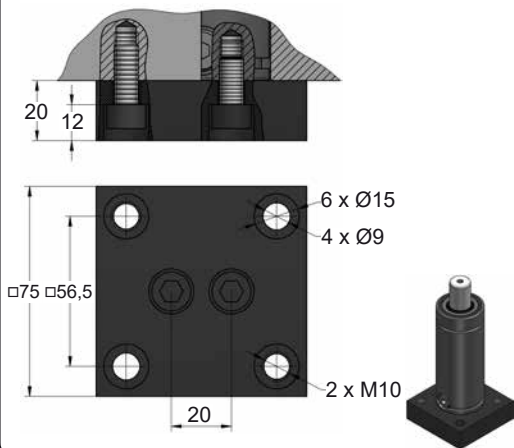


## B51-050

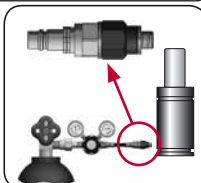
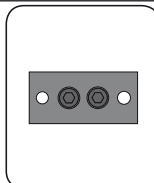
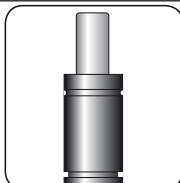
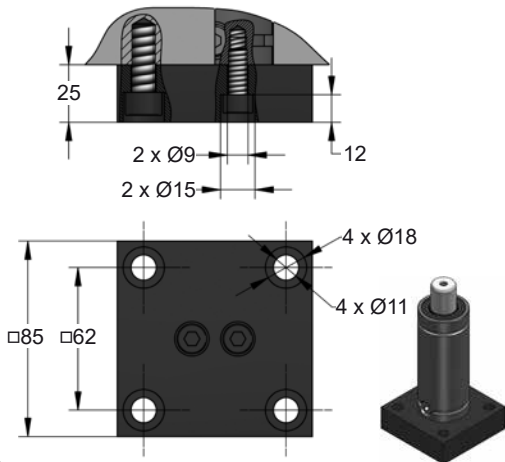


## B76-050

ISO 9001 CERTIFIED E24.54.815.G  
EM24.54.700/F



## B98-050



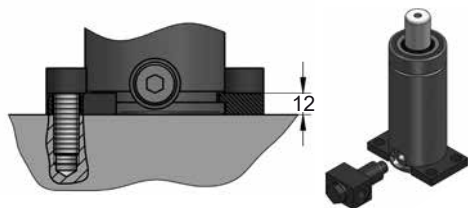
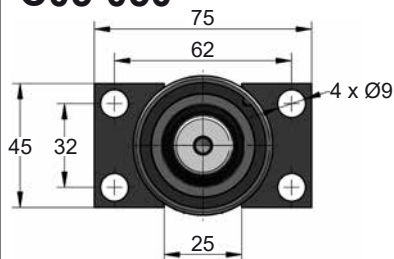
CODE	KZ 1000 050 V1	KIT S-XXXXXXX KIT C-XXXXXXX	B43-050	18 CG 1-Q
ENG ORDER	GAS SPRING	REPAIR KIT	FLANGE	CHARGING ADAPTER
DEU BESTELLUNG	GASDRUCKFEDER	ERSATZTEILSATZ	FLANSCHEN	LADEADAPTER
FRA COMMANDE	RESSORT À GAZ	KIT DE RÉPARATION	BRIDE	RACCORD DE CHARGE
ITA ORDINE	CILINDRO AD AZOTO	KIT DI MANUTENZIONE	FLANGE	ADATTATORE DI CARICO
ESP PEDIDO	RESORTE DE GAS	KIT DE REPARACION	BRIDA	ADAPTADOR DE CARGA
POR PEDIDO	CILINDRO DE GÁS	KIT DE MANUTENÇÃO	FLANGE	ADAPTADOR DE CARGA

# KZ 1000 V1 MOUNTS

Compact Height

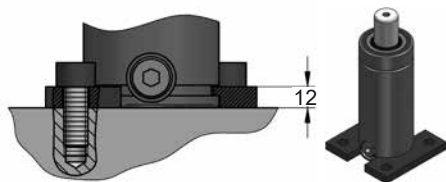
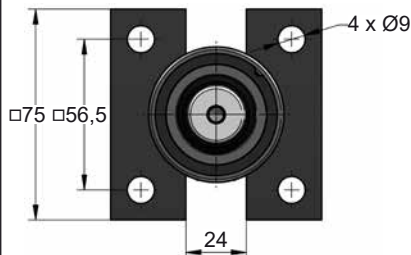
**AZOL**  
**GAS**

## C05-050

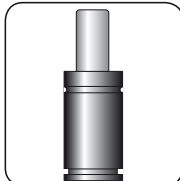
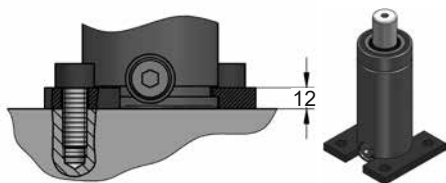
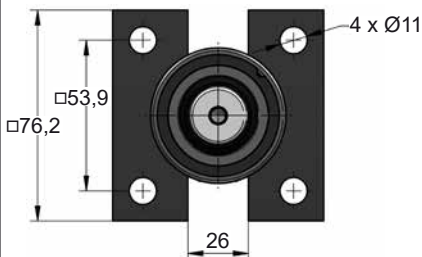


## C20-050

ISO 9001  
DIN EN ISO 9001  
VDI  
certified E24.54.815.G  
EM24.54.700/F



## CY0-050

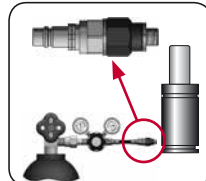
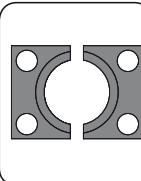


SEAL

KIT S-XXXXXXX

CARTRIDGE

KIT C-XXXXXXX



CODE	KZ 1000 050 V1	KIT S-XXXXXXX KIT C-XXXXXXX	C05-050	18 CG 1-Q
ENG	ORDER	GAS SPRING	FLANGE	CHARGING ADAPTER
DEU	BESTELLUNG	GASDRUCKFEDER	FLANSCHEN	LADEADAPTER
FRA	COMMANDE	RESSORT À GAZ	BRIDE	RACCORD DE CHARGE
ITA	ORDINE	CILINDRO AD AZOTO	FLANGE	ADATTATORE DI CARICO
ESP	PEDIDO	RESORTE DE GAS	BRIDA	ADAPTADOR DE CARGA
POR	PEDIDO	CILINDRO DE GÁS	FLANGE	ADAPTADOR DE CARGA

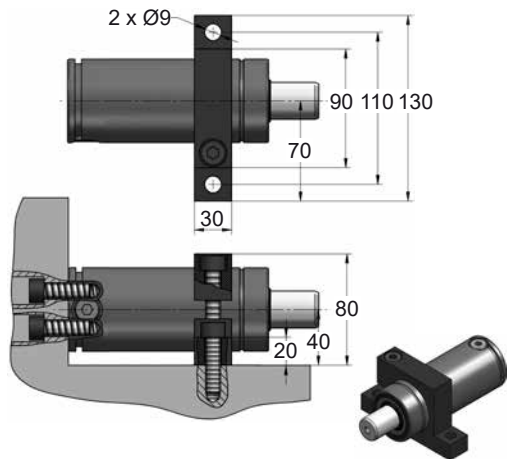


# KZ 1000 V1 MOUNTS

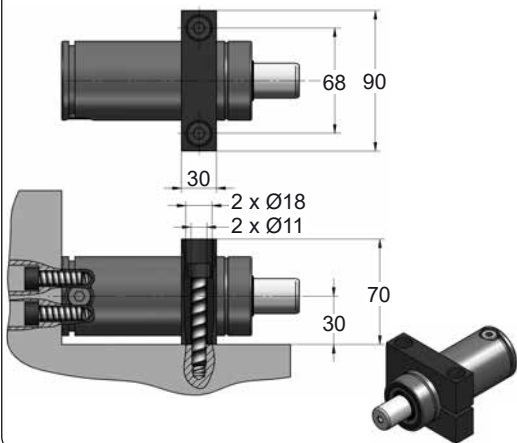
Compact Height



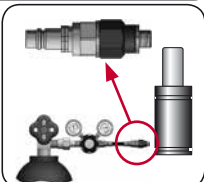
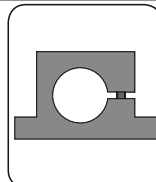
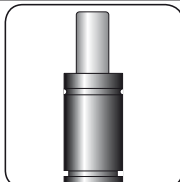
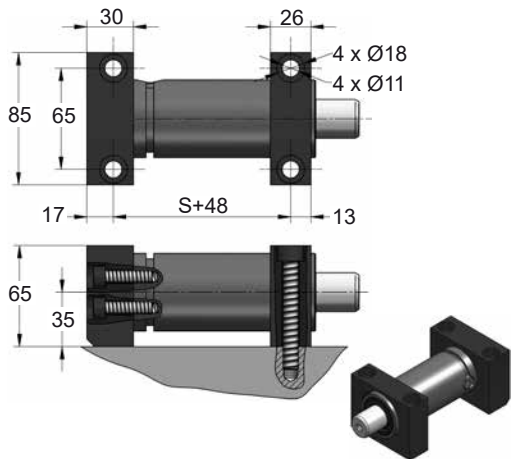
## D02-050



## D67-050



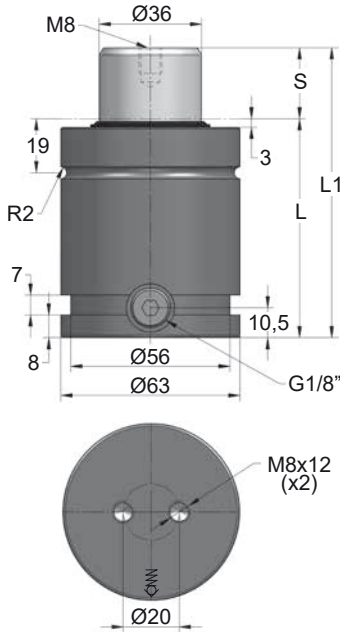
## D82-050



CODE	KZ 1000 050 V1	KIT S-XXXXXXX KIT C-XXXXXXX	D02-050	18 CG 1-Q	
ENG	ORDER	GAS SPRING	REPAIR KIT	FLANGE	CHARGING ADAPTER
DEU	BESTELLUNG	GASDRUCKFEDER	ERSATZTEILSATZ	FLANSCHEN	LADEADAPTER
FRA	COMMANDE	RESSORT À GAZ	KIT DE RÉPARATION	BRIDE	RACCORD DE CHARGE
ITA	ORDINE	CILINDRO AD AZOTO	KIT DI MANUTENZIONE	FLANGE	ADATTATORE DI CARICO
ESP	PEDIDO	RESORTE DE GAS	KIT DE REPARACION	BRIDA	ADAPTADOR DE CARGA
POR	PEDIDO	CILINDRO DE GÁS	KIT DE MANUTENÇÃO	FLANGE	ADAPTADOR DE CARGA

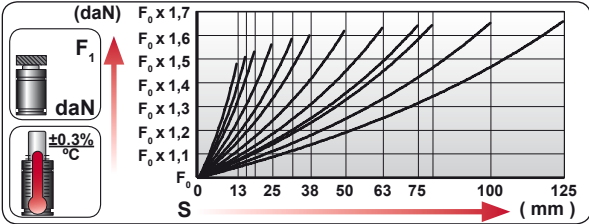
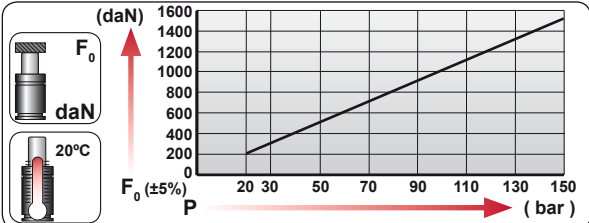
# KZ 1500

Compact Height



ORDER	S (mm)	L1 ±0.25 (mm)	L (mm)	Kg.
KZ 1500 013	13	78	65	1.17
KZ 1500 016	16	84	68	1.21
KZ 1500 019	19	90	71	1.25
KZ 1500 025	25	102	77	1.32
KZ 1500 032	32	116	84	1.41
KZ 1500 038	38	128	90	1.49
KZ 1500 050	50	152	102	1.64
KZ 1500 063	63	178	115	1.81
KZ 1500 075	75	202	127	1.97
KZ 1500 080	80	212	132	2.03
KZ 1500 100	100	252	152	2.29
KZ 1500 125	125	302	177	2.61

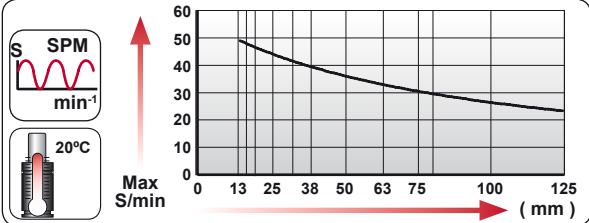
CODE				
	bar	psi	daN	daN
KZ 1500 050	150	2175	1530	2475
KZ-H 1500 050	0	0	---	---



ENG ORDER  
 DEU BESTELLUNG  
 FRA COMMANDE  
 ITA ORDINE  
 ESP PEDIDO  
 POR PEDIDO

**F<sub>0</sub>** daN  
**S** mm

**KZ 1500 50**



**N<sub>2</sub>**

**S<sub>max</sub> < 90%**

**V<sub>max</sub> 1,6 m/s**

**P<sub>min</sub> (20°C)**

**P<sub>max</sub> (20°C)**

**T<sub>min</sub>**



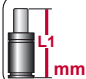
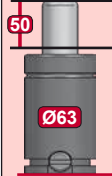






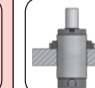





**T<sub>max</sub>**

**600 CP-**

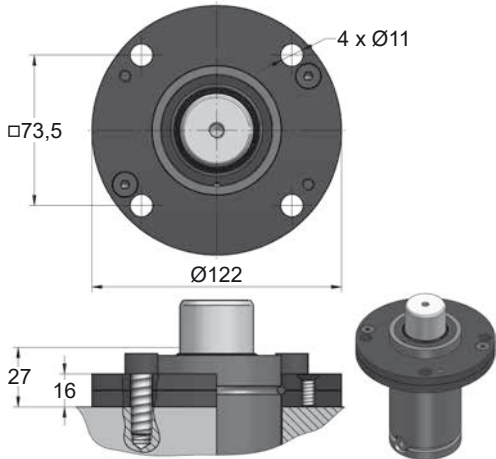
<b>N<sub>2</sub></b>	<b>S<sub>max</sub> &lt; 90%</b>	<b>V<sub>max</sub> 1,6 m/s</b>	bar psi	bar psi	°C °F	°C °F	<b>600 CP-</b>
			20 290	150 2175	0 32	80 176	

# KZ 1500 MOUNTS

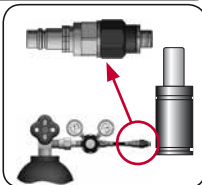
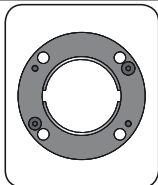
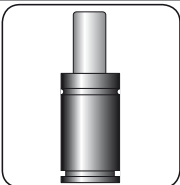
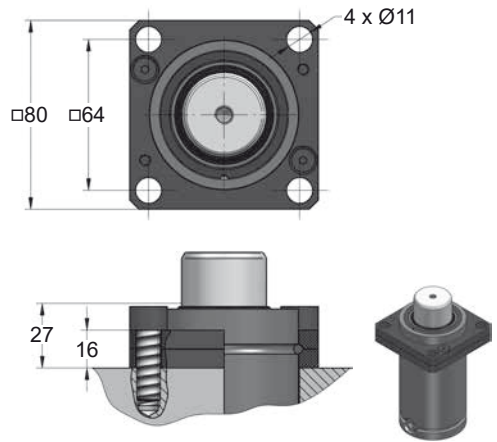
Compact Height

								
			50	50	50	50	50	
			Ø63	Ø63	Ø63	Ø63	Ø63	
			L1=144	L1=152	L1=185	L1=175	L1=205	
			L1=152	L1=160	L1=195	L1=190		
MODEL	X	CW 1500 KZ 1500 KT 1500	X	CT 1500 CK 1500	CM 1500 CD 1500	X	CPH 2800 CP 3000	CS 3000
SERIES	MINI	COMPACT HEIGHT	THREADED	LOW PROFILE	HEAVY DUTY	ISO	HEAVY LOAD	POWER COMPACT STROKE
								

## A14-063



## A69-063



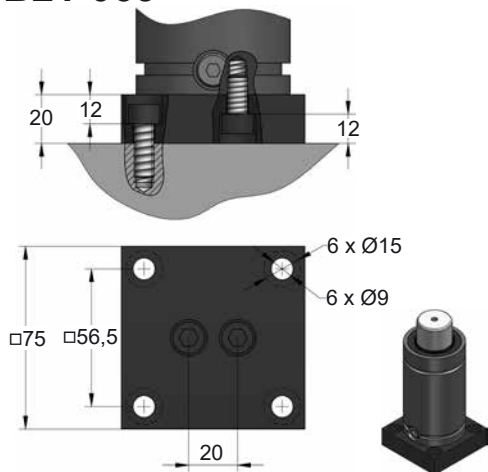
CODE	KZ 1500 050	KIT S-XXXXXXX KIT C-XXXXXXX	A14-063	18 CG 1-Q
ENG ORDER	GAS SPRING	REPAIR KIT	FLANGE	CHARGING ADAPTER
DEU BESTELLUNG	GASDRUCKFEDER	ERSATZTEILSATZ	FLANSCHEN	LADEADAPTER
FRA COMMANDE	RESSORT À GAZ	KIT DE RÉPARATION	BRIDE	RACCORD DE CHARGE
ITA ORDINE	CILINDRO AD AZOTO	KIT DI MANUTENZIONE	FLANGE	ADATTATORE DI CARICO
ESP PEDIDO	RESORTE DE GAS	KIT DE REPARACION	BRIDA	ADAPTADOR DE CARGA
POR PEDIDO	CILINDRO DE GÁS	KIT DE MANUTENÇÃO	FLANGE	ADAPTADOR DE CARGA

# KZ 1500 MOUNTS

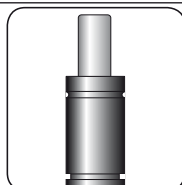
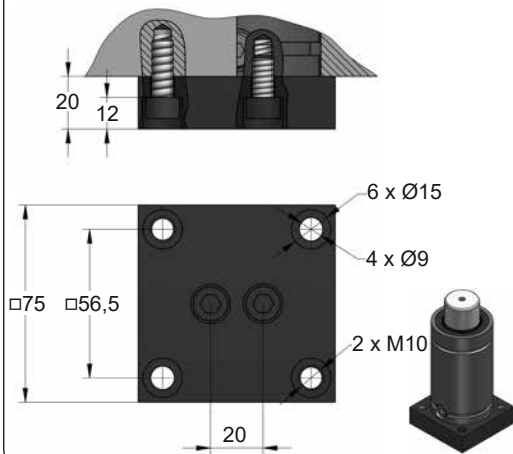
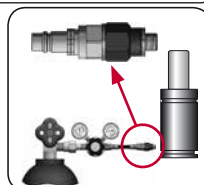
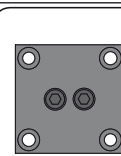
Compact Height

**AZOL  
GAS** 

## B21-063



## B76-063

**SEAL  
KIT S-XXXXXXX****CARTRIDGE  
KIT C-XXXXXXX**

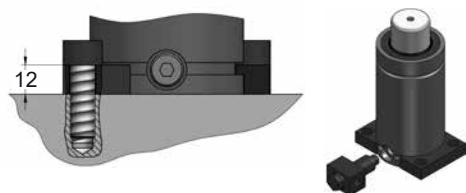
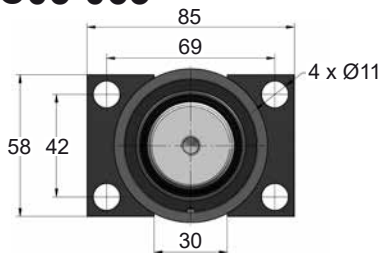
CODE	KZ 1500 050	KIT S-XXXXXXX KIT C-XXXXXXX	B21-063	18 CG 1-Q
ENG ORDER	GAS SPRING	REPAIR KIT	FLANGE	CHARGING ADAPTER
DEU BESTELLUNG	GASDRUCKFEDER	ERSATZTEILSATZ	FLANSCHEN	LADEADAPTER
FRA COMMANDE	RESSORT À GAZ	KIT DE RÉPARATION	BRIDE	RACCORD DE CHARGE
ITA ORDINE	CILINDRO AD AZOTO	KIT DI MANUTENZIONE	FLANGE	ADATTATORE DI CARICO
ESP PEDIDO	RESORTE DE GAS	KIT DE REPARACION	BRIDA	ADAPTADOR DE CARGA
POR PEDIDO	CILINDRO DE GÁS	KIT DE MANUTENÇÃO	FLANGE	ADAPTADOR DE CARGA



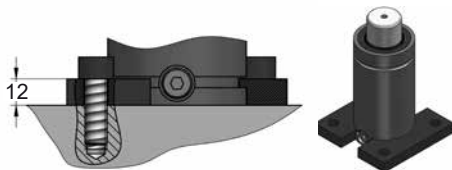
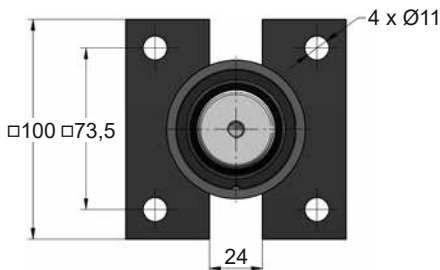
# KZ 1500 MOUNTS

Compact Height

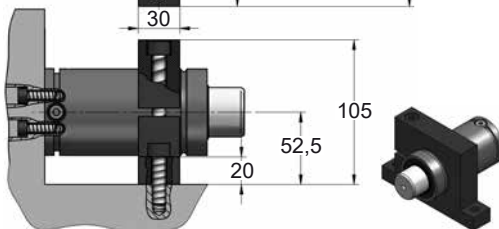
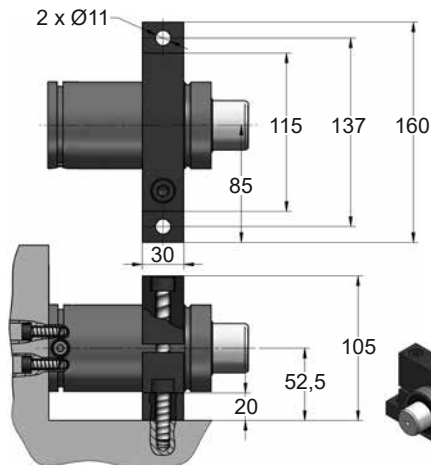
## C05-063



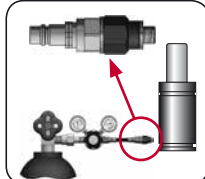
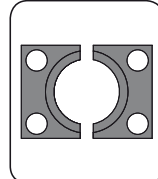
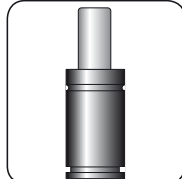
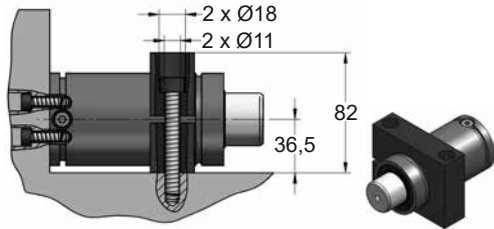
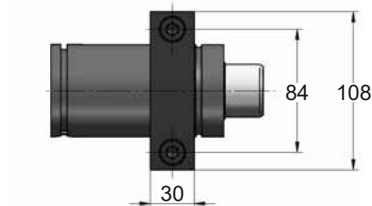
## C35-063



## D02-063



## D67-063

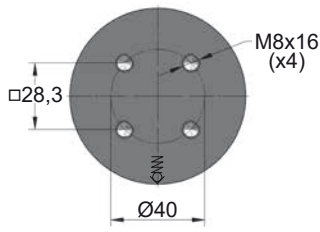
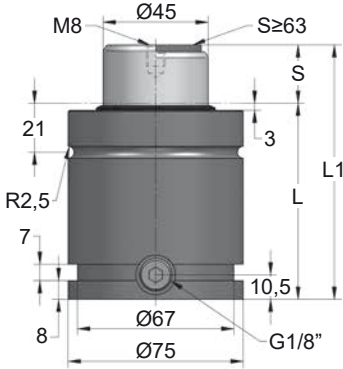


CODE	KZ 1500 050	KIT S-XXXXXXX KIT C-XXXXXXX	C05-063	18 CG 1-Q
ENG ORDER	GAS SPRING	REPAIR KIT	FLANGE	CHARGING ADAPTER
DEU BESTELLUNG	GASDRUCKFEDER	ERSATZTEILSATZ	FLANSCHEN	LADEADAPTER
FRA COMMANDE	RESSORT À GAZ	KIT DE RÉPARATION	BRIDE	RACCORD DE CHARGE
ITA ORDINE	CILINDRO AD AZOTO	KIT DI MANUTENZIONE	FLANGE	ADATTATORE DI CARICO
ESP PEDIDO	RESORTE DE GAS	KIT DE REPARACION	BRIDA	ADAPTADOR DE CARGA
POR PEDIDO	CILINDRO DE GÁS	KIT DE MANUTENÇÃO	FLANGE	ADAPTADOR DE CARGA

# KZ 2400

Compact Height

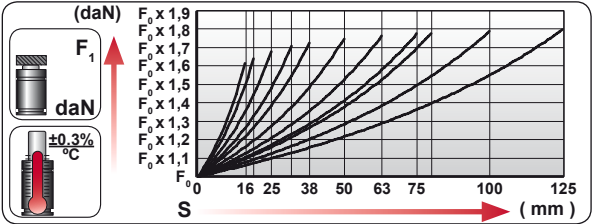
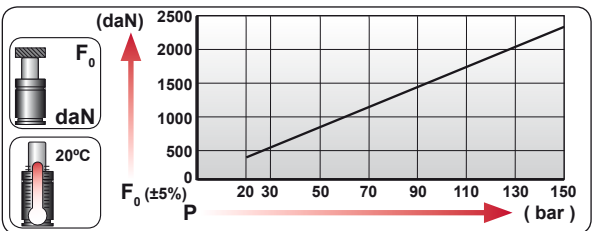


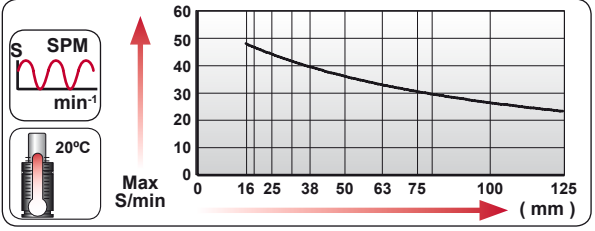
ORDER	S (mm)	L1 ±0.25 (mm)	L (mm)	Kg.
KZ 2400 016	16	91	75	1.89
KZ 2400 019	19	97	78	1.94
KZ 2400 025	25	109	84	2.04
KZ 2400 032	32	123	91	2.16
KZ 2400 038	38	135	97	2.26
KZ 2400 050	50	159	109	2.47
KZ 2400 063 *	63	185	122	2.69
KZ 2400 075 *	75	209	134	2.90
KZ 2400 080 *	80	219	139	2.98
KZ 2400 100 *	100	259	159	3.33
KZ 2400 125 *	125	309	184	3.75



CODE					
		bar	psi		
KZ 2400 050		150	2175	2385	3890
KZ-H 2400 050		0	0	---	---



ENG	ORDER		
DEU	BESTELLUNG	daN	mm
FRA	COMMANDE		
ITA	ORDINE		
ESP	PEDIDO		
POR	PEDIDO		
	KZ 2400 50		
	KZ 2400 50		



--	--	--	--	--	--

N <sub>2</sub>	Smax < 90%	Vmax 1,6 m/s	bar psi 20 290	bar psi 150 2175	°C °F 0 32	°C °F 80 176	600 CP-
----------------	------------	--------------	-------------------	---------------------	---------------	-----------------	---------

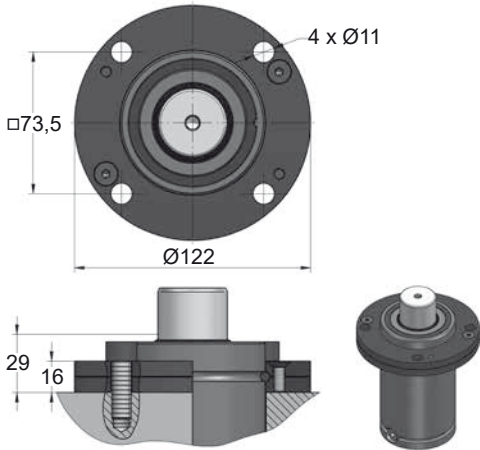


# KZ 2400 MOUNTS

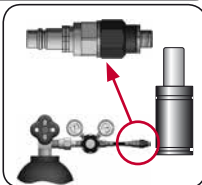
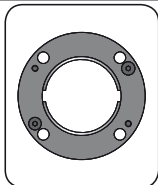
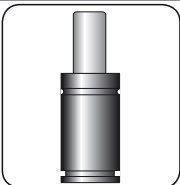
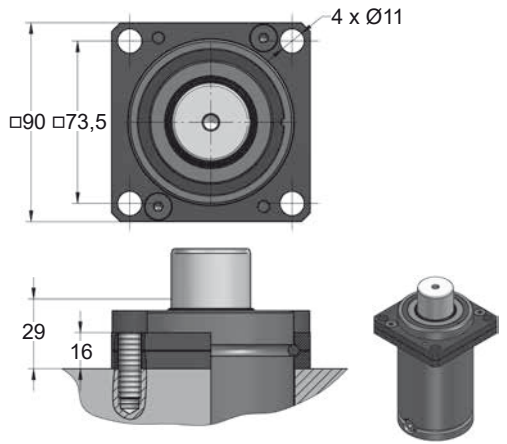
Compact Height

<b>MODEL</b>	<b>X</b>	CW 2400 KZ 2400 KT 2400	<b>X</b>	CT 2500 CK 2500 FD 1500	GN 1500 CM 2500 CD 2400	AG 1500	CPH 4300 CP 5000	CS 4700
<b>SERIES</b>	MINI	COMPACT HEIGHT	THREADED	LOW PROFILE	HEAVY DUTY	ISO	HEAVY LOAD	POWER COMPACT STROKE

## A14-075



## A34-075



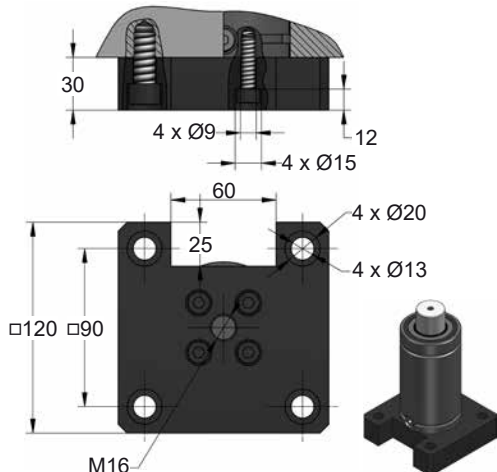
<b>CODE</b>	<b>KZ 2400 050</b>	<b>KIT S-XXXXXXX</b> <b>KIT C-XXXXXXX</b>	<b>A14-075</b>	<b>18 CG 1-Q</b>
ENG ORDER	GAS SPRING	REPAIR KIT	FLANGE	CHARGING ADAPTER
DEU BESTELLUNG	GASDRUCKFEDER	ERSATZTEILSATZ	FLANSCHEN	LADEADAPTER
FRA COMMANDE	RESSORT À GAZ	KIT DE RÉPARATION	BRIDE	RACCORD DE CHARGE
ITA ORDINE	CILINDRO AD AZOTO	KIT DI MANUTENZIONE	FLANGE	ADATTATORE DI CARICO
ESP PEDIDO	RESORTE DE GAS	KIT DE REPARACION	BRIDA	ADAPTADOR DE CARGA
POR PEDIDO	CILINDRO DE GÁS	KIT DE MANUTENÇÃO	FLANGE	ADAPTADOR DE CARGA

# KZ 2400 MOUNTS

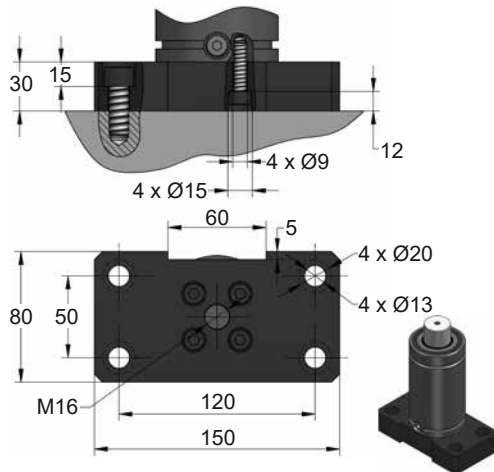
Compact Height

**AZOL**  
**GAS**

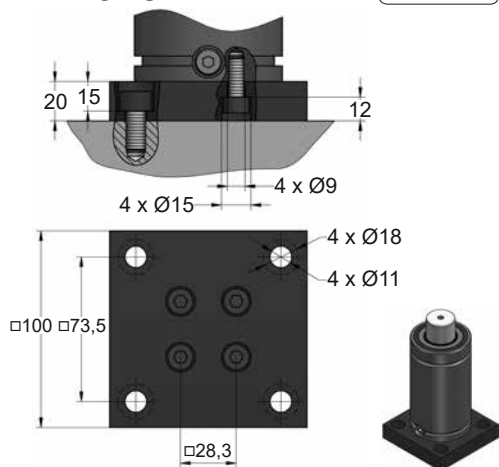
## B13-075



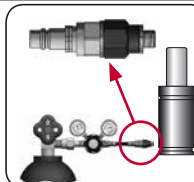
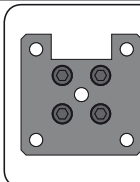
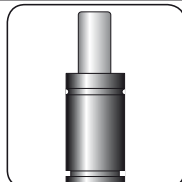
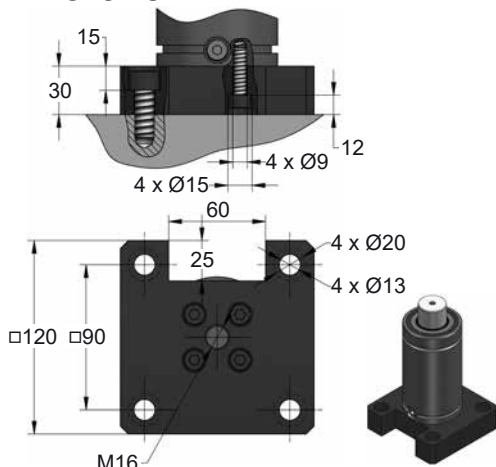
## B18-075



## B21-075



## B23-075



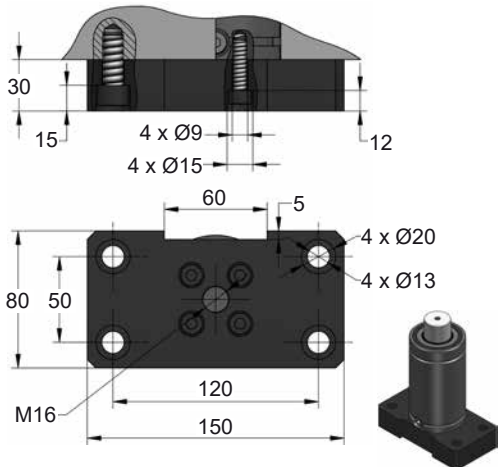
CODE	KZ 2400 050	KIT S-XXXXXXX KIT C-XXXXXXX	B13-075	18 CG 1-Q
ENG ORDER	GAS SPRING	REPAIR KIT	FLANGE	CHARGING ADAPTER
DEU BESTELLUNG	GASDRUCKFEDER	ERSATZTEILSATZ	FLANSCHEN	LADEADAPTER
FRA COMMANDE	RESSORT À GAZ	KIT DE RÉPARATION	BRIDE	RACCORD DE CHARGE
ITA ORDINE	CILINDRO AD AZOTO	KIT DI MANUTENZIONE	FLANGE	ADATTATORE DI CARICO
ESP PEDIDO	RESORTE DE GAS	KIT DE REPARACION	BRIDA	ADAPTADOR DE CARGA
POR PEDIDO	CILINDRO DE GAS	KIT DE MANUTENÇÃO	FLANGE	ADAPTADOR DE CARGA



# KZ 2400 MOUNTS

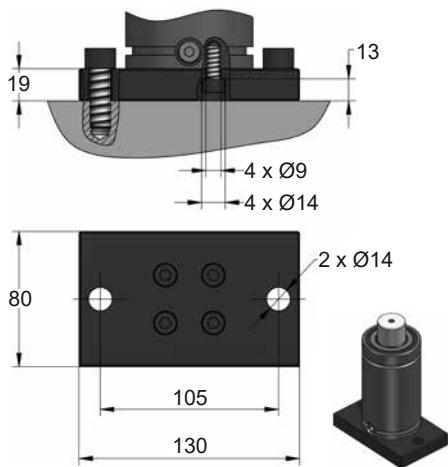
Compact Height

## B28-075



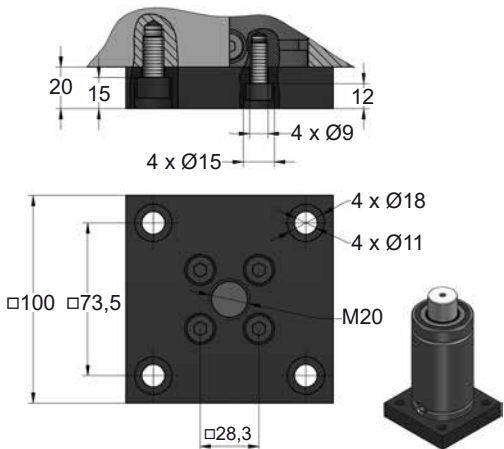
## B43-075

K32 P0  
EM24.54.700/F

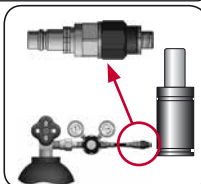
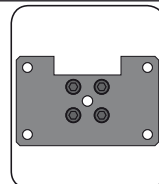
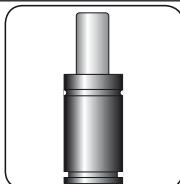
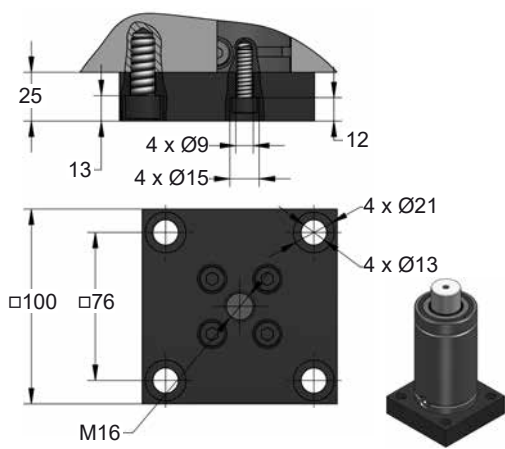


## B76-075

ISO 9001  
WARRANTY  
E24.54.815.G  
EM24.54.700/F



## B98-075



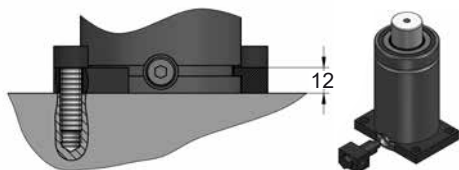
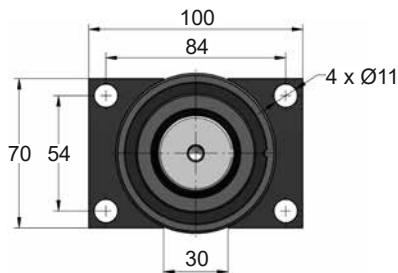
CODE	KZ 2400 050	KIT S-XXXXXXX KIT C-XXXXXXX	B28-075	18 CG 1-Q
ENG ORDER	GAS SPRING	REPAIR KIT	FLANGE	CHARGING ADAPTER
DEU BESTELLUNG	GASDRUCKFEDER	ERSATZTEILSATZ	FLANSCHEN	LADEADAPTER
FRA COMMANDE	RESSORT À GAZ	KIT DE RÉPARATION	BRIDE	RACCORD DE CHARGE
ITA ORDINE	CILINDRO AD AZOTO	KIT DI MANUTENZIONE	FLANGE	ADATTATORE DI CARICO
ESP PEDIDO	RESORTE DE GAS	KIT DE REPARACION	BRIDA	ADAPTADOR DE CARGA
POR PEDIDO	CILINDRO DE GAS	KIT DE MANUTENÇÃO	FLANGE	ADAPTADOR DE CARGA

# KZ 2400 MOUNTS

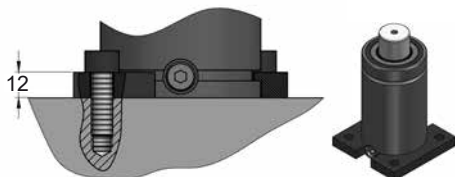
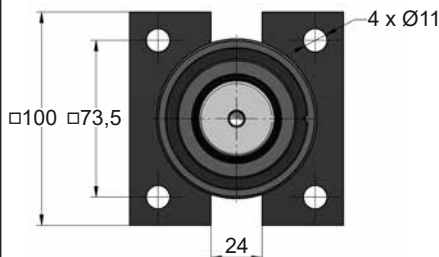
Compact Height

**AZOL  
GAS** 

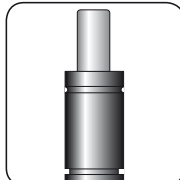
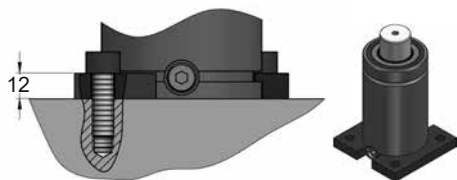
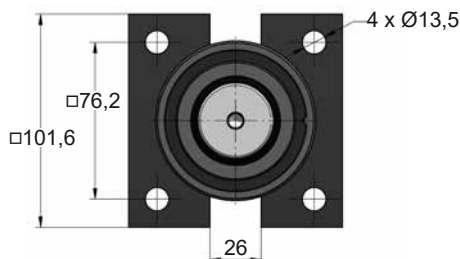
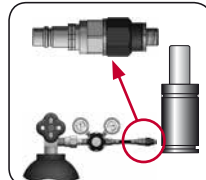
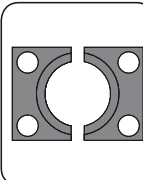
## C05-075



## C20-075


 E24.54.815.G  
EM24.54.700/F


## CY0-075

**SEAL****KIT S-XXXXXXX****CARTRIDGE****KIT C-XXXXXXX**

CODE	KZ 2400 050	KIT S-XXXXXXX KIT C-XXXXXXX	C05-075	18 CG 1-Q
ENG ORDER	GAS SPRING	REPAIR KIT	FLANGE	CHARGING ADAPTER
DEU BESTELLUNG	GASDRUCKFEDER	ERSATZTEILSATZ	FLANSCHEN	LADEADAPTER
FRA COMMANDE	RESSORT À GAZ	KIT DE RÉPARATION	BRIDE	RACCORD DE CHARGE
ITA ORDINE	CILINDRO AD AZOTO	KIT DI MANUTENZIONE	FLANGE	ADATTATORE DI CARICO
ESP PEDIDO	RESORTE DE GAS	KIT DE REPARACION	BRIDA	ADAPTADOR DE CARGA
POR PEDIDO	CILINDRO DE GÁS	KIT DE MANUTENÇÃO	FLANGE	ADAPTADOR DE CARGA

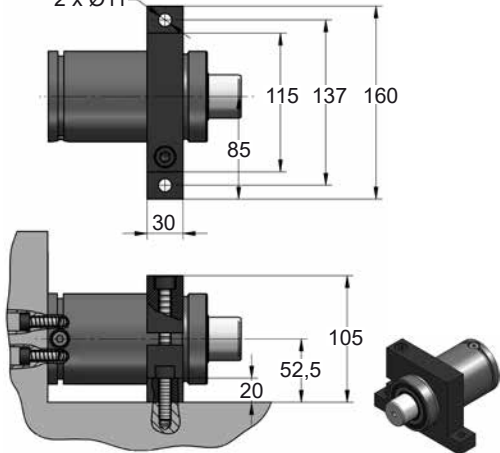


# KZ 2400 MOUNTS

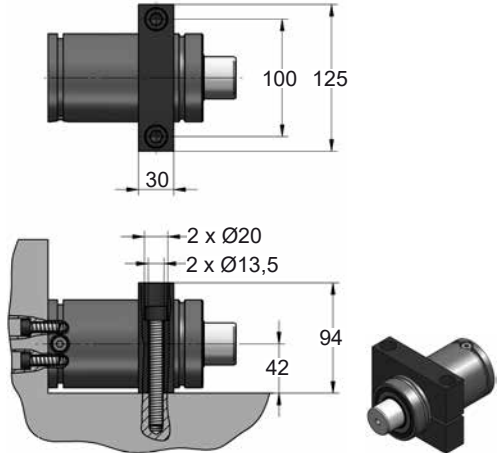
Compact Height

## D02-075

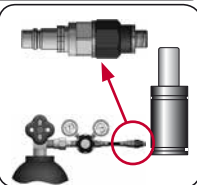
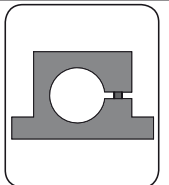
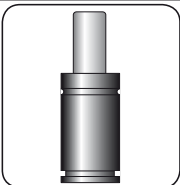
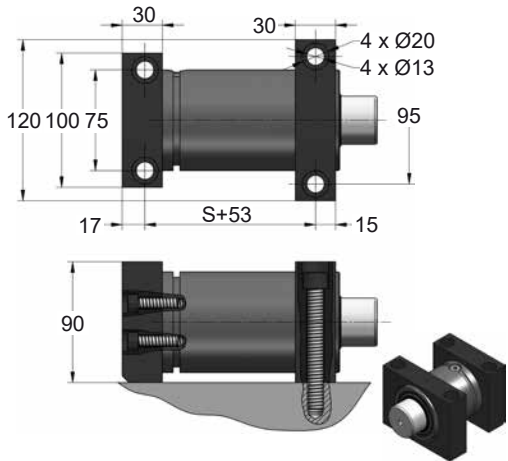
2 x Ø11



## D67-075



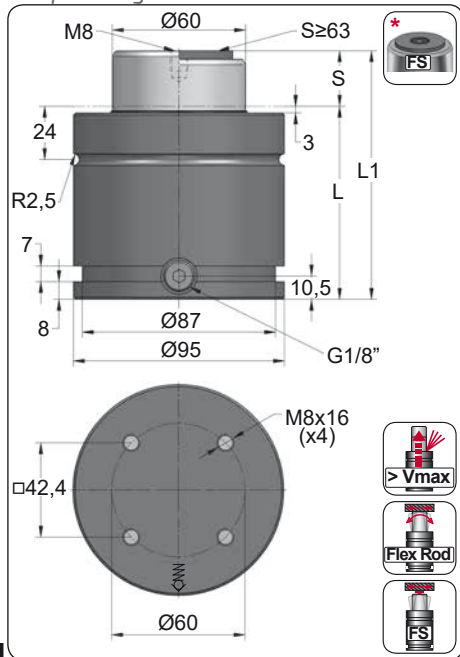
## D82-075



CODE	KZ 2400 050	KIT S-XXXXXXX KIT C-XXXXXXX	D02-075	18 CG 1-Q
ENG	ORDER	GAS SPRING	FLANGE	CHARGING ADAPTER
DEU	BESTELLUNG	GASDRUCKFEDER	FLANSCHEN	LADEADAPTER
FRA	COMMANDE	RESSORT À GAZ	BRIDE	RACCORD DE CHARGE
ITA	ORDINE	CILINDRO AD AZOTO	FLANGE	ADATTATORE DI CARICO
ESP	PEDIDO	RESORTE DE GAS	BRIDA	ADAPTADOR DE CARGA
POR	PEDIDO	CILINDRO DE GÁS	FLANGE	ADAPTADOR DE CARGA

# KZ 4200

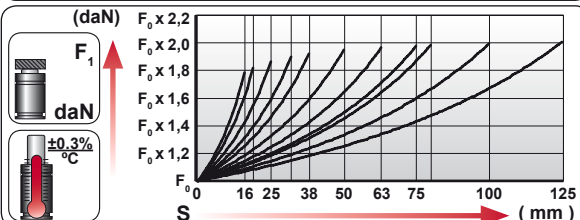
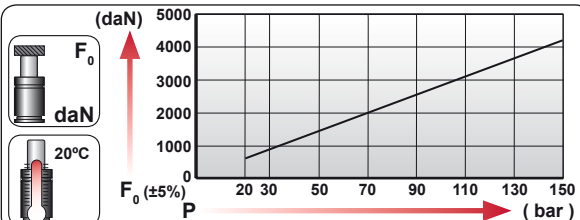
Compact Height



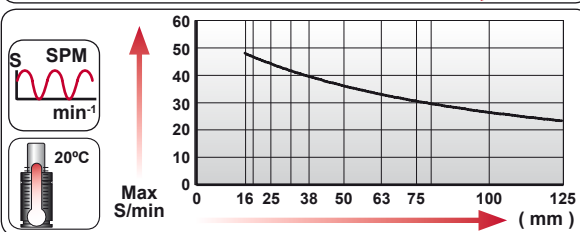
ORDER	S (mm)	L1 ±0.25 (mm)	L (mm)	Kg.
KZ 4200 016	16	94	78	3.19
KZ 4200 019	19	100	81	3.27
KZ 4200 025	25	112	87	3.44
KZ 4200 032	32	126	94	3.64
KZ 4200 038	38	138	100	3.81
KZ 4200 050	50	162	112	4.16
KZ 4200 063 *	63	188	125	4.53
KZ 4200 075 *	75	212	137	4.87
KZ 4200 080 *	80	222	142	5.01
KZ 4200 100 *	100	262	162	5.58
KZ 4200 125 *	125	312	187	6.29



CODE				
	bar	psi	daN	daN
KZ 4200 050	150	2175	4240	7200
KZ-H 4200 050	0	0	---	---



	ENG ORDER DEU BESTELLUNG FRA COMMANDE ITA ORDINE ESP PEDIDO POR PEDIDO		
		daN	mm
		KZ 4200	50
		KZ 4200 50	



N <sub>2</sub>	S <sub>max</sub> < 90%	V <sub>max</sub> 1,6 m/s	P <sub>min</sub> (20°C)	P <sub>max</sub> (20°C)	T <sub>min</sub>	T <sub>max</sub>	600 CP-

bar	psi	bar	psi	°C	°F	°C	°F
20	290	150	2175	0	32	80	176



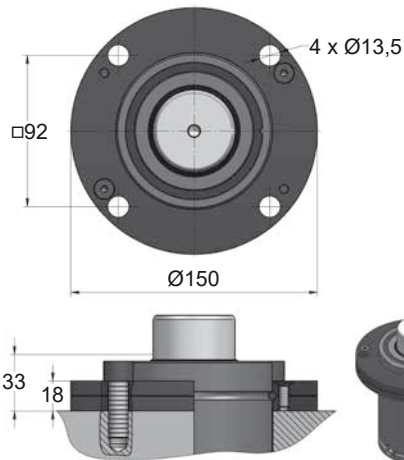


# KZ 4200 MOUNTS

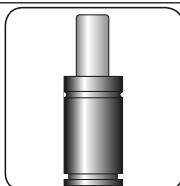
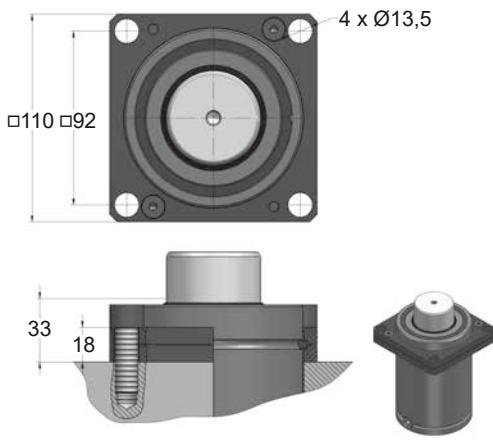
Compact Height

<b>MODEL</b>	<b>X</b>	CW 4200 KZ 4200 KT 4200	<b>X</b>	CK 4000 FD 3000	GN 3000 CM 4000 CD 4200	AG 3000	CP 8000	CS 7500
<b>SERIES</b>	MINI	COMPACT HEIGHT	THREADED	LOW PROFILE	HEAVY DUTY	ISO	HEAVY LOAD	POWER COMPACT STROKE

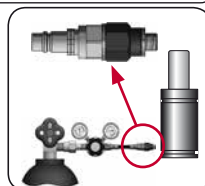
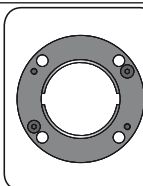
## A14-095



## A34-095



**SEAL KIT S-XXXXXXX**  
**CARTRIDGE KIT C-XXXXXXX**



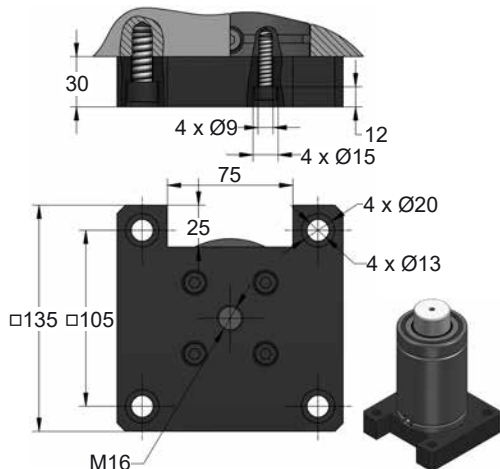
<b>CODE</b>	<b>KZ 4200 050</b>	<b>KIT S-XXXXXXX</b> <b>KIT C-XXXXXXX</b>	<b>A14-095</b>	<b>18 CG 1-Q</b>
ENG ORDER	GAS SPRING	REPAIR KIT	FLANGE	CHARGING ADAPTER
DEU BESTELLUNG	GASDRUCKFEDER	ERSATZTEILSATZ	FLANSCHEN	LADEADAPTER
FRA COMMANDE	RESSORT À GAZ	KIT DE RÉPARATION	BRIDE	RACCORD DE CHARGE
ITA ORDINE	CILINDRO AD AZOTO	KIT DI MANUTENZIONE	FLANGE	ADATTATORE DI CARICO
ESP PEDIDO	RESORTE DE GAS	KIT DE REPARACION	BRIDA	ADAPTADOR DE CARGA
POR PEDIDO	CILINDRO DE GÁS	KIT DE MANUTENÇÃO	FLANGE	ADAPTADOR DE CARGA

# KZ 4200 MOUNTS

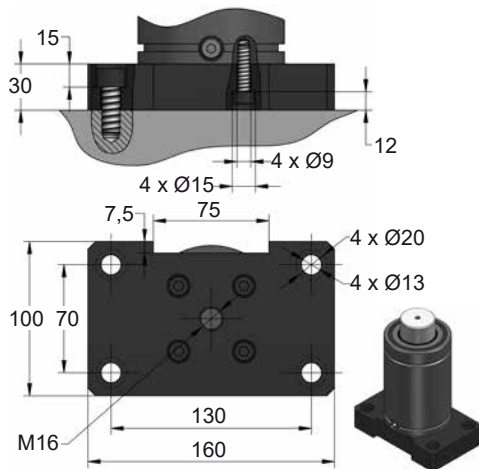
Compact Height

**AZOL**  
**GAS**

## B13-095

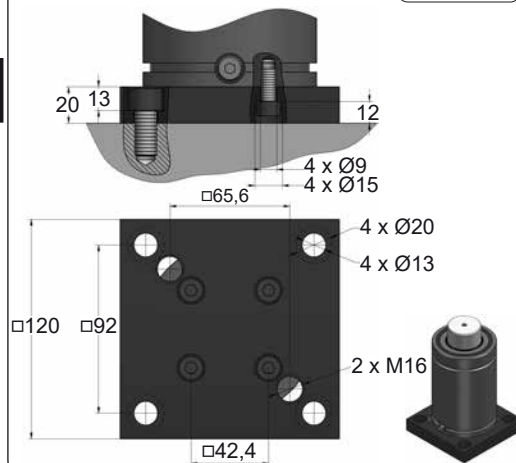


## B18-095

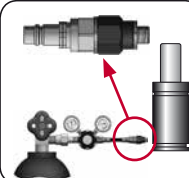
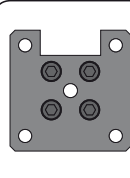
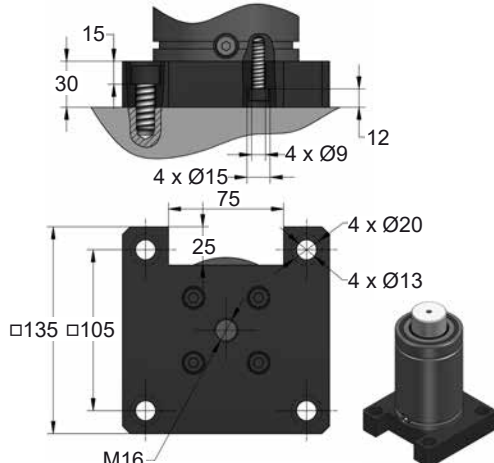


## B21-095

EM24.54.700/F



## B23-095



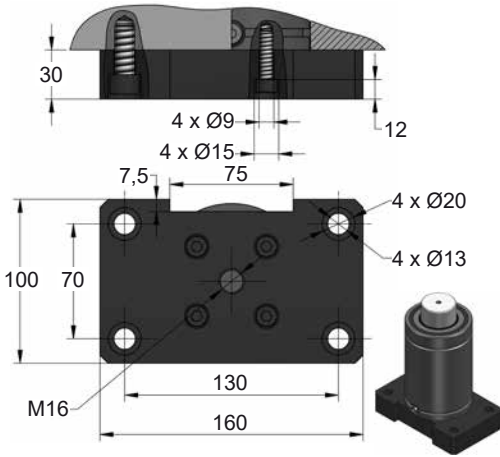
CODE	KZ 4200 050	KIT S-XXXXXXX KIT C-XXXXXXX	B13-095	18 CG 1-Q
ENG ORDER	GAS SPRING	REPAIR KIT	FLANGE	CHARGING ADAPTER
DEU BESTELLUNG	GASDRUCKFEDER	ERSATZTEILSATZ	FLANSCH	LADEADAPTER
FRA COMMANDE	RESSORT À GAZ	KIT DE RÉPARATION	BRIDE	RACCORD DE CHARGE
ITA ORDINE	CILINDRO AD AZOTO	KIT DI MANUTENZIONE	FLANGE	ADATTATORE DI CARICO
ESP PEDIDO	RESORTE DE GAS	KIT DE REPARACION	BRIDA	ADAPTADOR DE CARGA
POR PEDIDO	CILINDRO DE GÁS	KIT DE MANUTENÇÃO	FLANGE	ADAPTADOR DE CARGA



# KZ 4200 MOUNTS

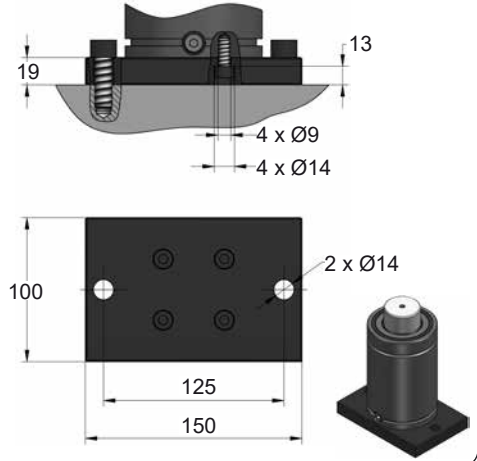
Compact Height

## B28-095



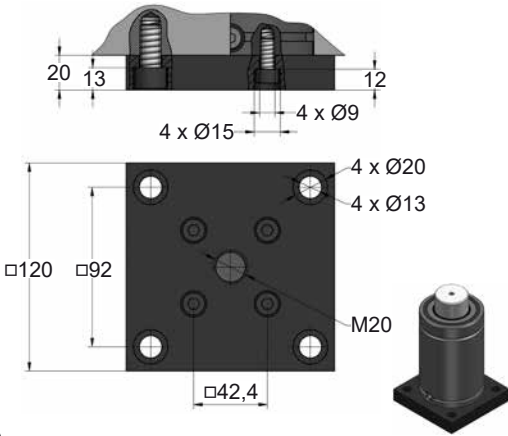
## B43-095

K32 P0  
EM24.54.700/F

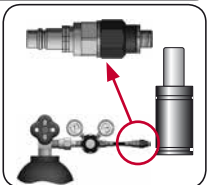
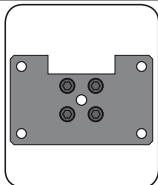
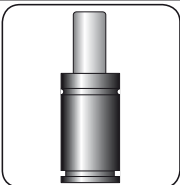
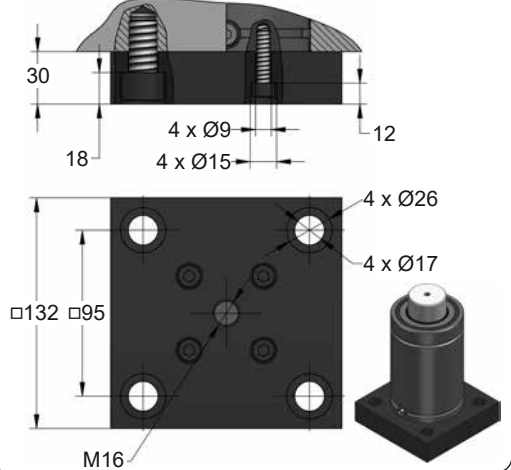


## B76-095

ISO VALVE T.E. EM24.54.700/F



## B98-095



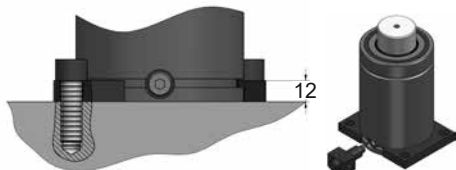
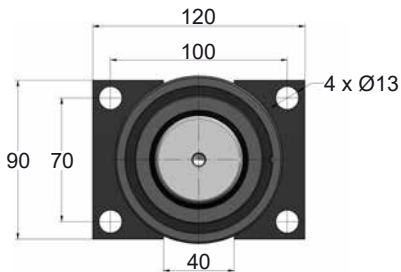
CODE	KZ 4200 050	KIT S-XXXXXXX KIT C-XXXXXXX	B28-095	18 CG 1-Q
ENG ORDER	GAS SPRING	REPAIR KIT	FLANGE	CHARGING ADAPTER
DEU BESTELLUNG	GASDRUCKFEDER	ERSATZTEILSATZ	FLANSCHEN	LADEADAPTER
FRA COMMANDE	RESSORT À GAZ	KIT DE RÉPARATION	BRIDE	RACCORD DE CHARGE
ITA ORDINE	CILINDRO AD AZOTO	KIT DI MANUTENZIONE	FLANGE	ADATTATORE DI CARICO
ESP PEDIDO	RESORTE DE GAS	KIT DE REPARACION	BRIDA	ADAPTADOR DE CARGA
POR PEDIDO	CILINDRO DE GAS	KIT DE MANUTENÇÃO	FLANGE	ADAPTADOR DE CARGA

# KZ 4200 MOUNTS

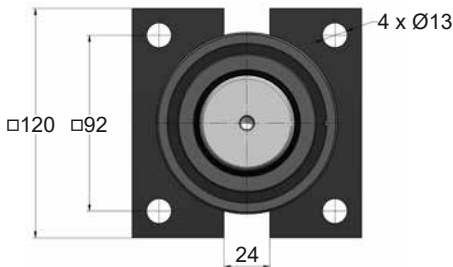
Compact Height



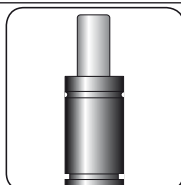
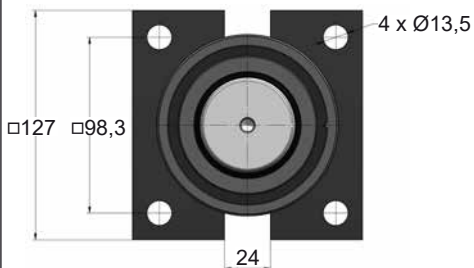
## C05-095



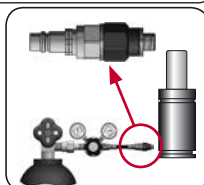
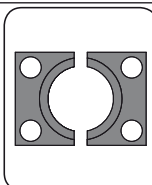
## C20-095



## CY0-095



**SEAL KIT S-XXXXXXX**  
**CARTRIDGE KIT C-XXXXXXX**



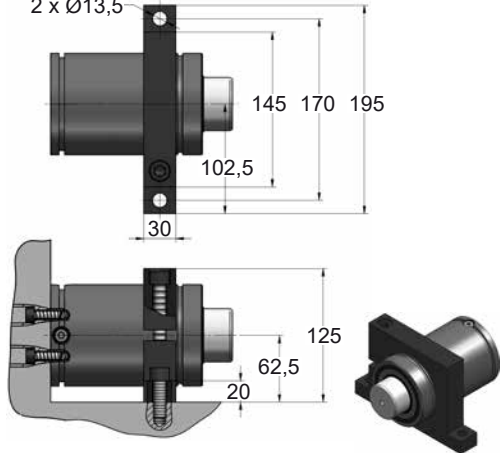
CODE	KZ 4200 050	KIT S-XXXXXXX KIT C-XXXXXXX	C05-095	18 CG 1-Q
ENG ORDER	GAS SPRING	REPAIR KIT	FLANGE	CHARGING ADAPTER
DEU BESTELLUNG	GASDRUCKFEDER	ERSATZTEILSATZ	FLANSCHEN	LADEADAPTER
FRA COMMANDE	RESSORT À GAZ	KIT DE RÉPARATION	BRIDE	RACCORD DE CHARGE
ITA ORDINE	CILINDRO AD AZOTO	KIT DI MANUTENZIONE	FLANGE	ADATTATORE DI CARICO
ESP PEDIDO	RESORTE DE GAS	KIT DE REPARACION	BRIDA	ADAPTADOR DE CARGA
POR PEDIDO	CILINDRO DE GÁS	KIT DE MANUTENÇÃO	FLANGE	ADAPTADOR DE CARGA

# KZ 4200 MOUNTS

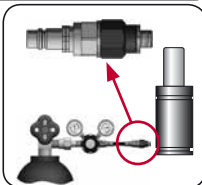
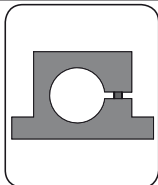
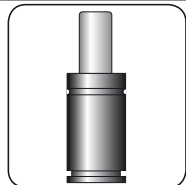
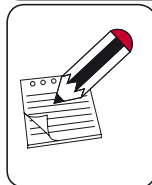
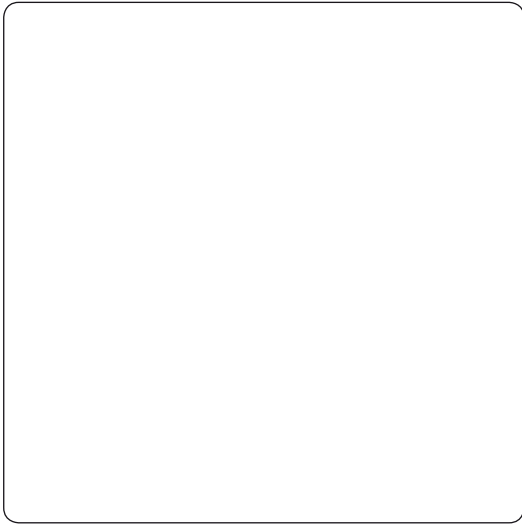
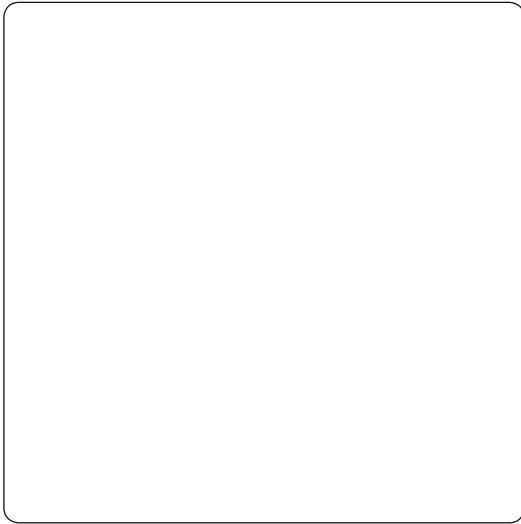
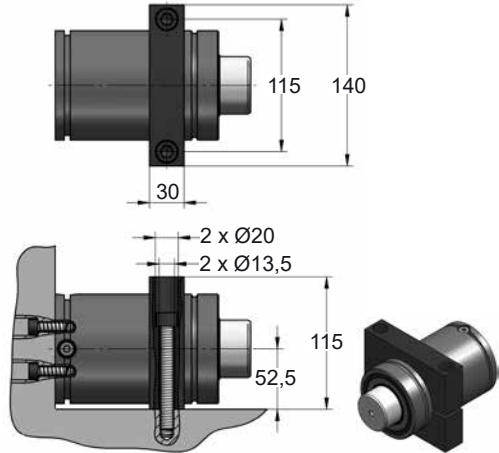
Compact Height

## D02-095

2 x Ø13,5



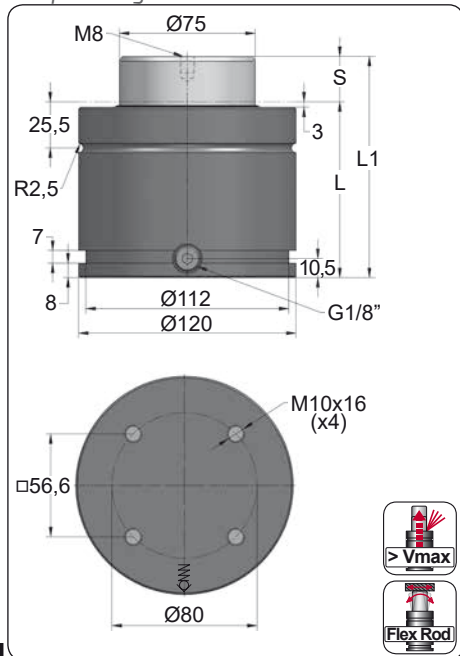
## D67-095



CODE	KZ 4200 050	KIT S-XXXXXXX KIT C-XXXXXXX	D02-095	18 CG 1-Q
ENG ORDER	GAS SPRING	REPAIR KIT	FLANGE	CHARGING ADAPTER
DEU BESTELLUNG	GASDRUCKFEDER	ERSATZTEILSATZ	FLANSCHEN	LADEADAPTER
FRA COMMANDE	RESSORT À GAZ	KIT DE RÉPARATION	BRIDE	RACCORD DE CHARGE
ITA ORDINE	CILINDRO AD AZOTO	KIT DI MANUTENZIONE	FLANGE	ADATTATORE DI CARICO
ESP PEDIDO	RESORTE DE GAS	KIT DE REPARACION	BRIDA	ADAPTADOR DE CARGA
POR PEDIDO	CILINDRO DE GÁS	KIT DE MANUTENÇÃO	FLANGE	ADAPTADOR DE CARGA

# KZ 6600

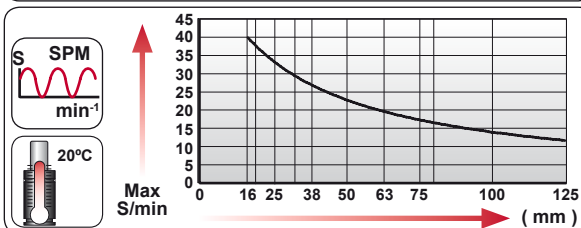
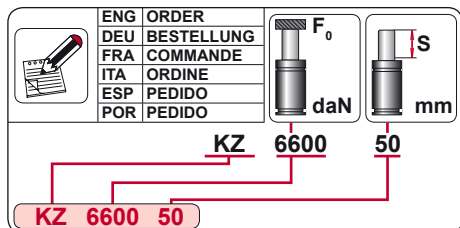
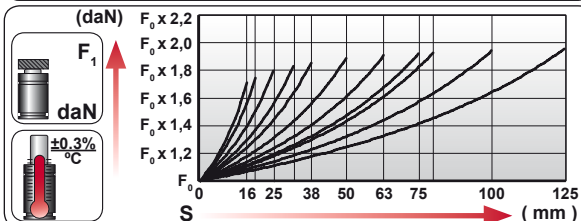
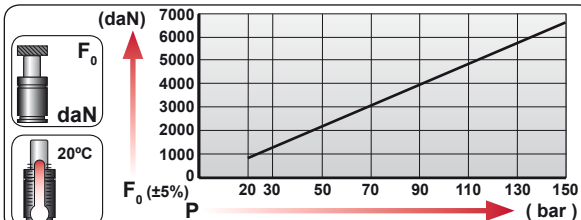
Compact Height



ORDER	S (mm)	L1 ±0,25 (mm)	L (mm)	Kg.
KZ 6600 016	16	104	88	5.89
KZ 6600 019	19	110	91	6.03
KZ 6600 025	25	122	97	6.31
KZ 6600 032	32	136	104	6.63
KZ 6600 038	38	148	110	6.91
KZ 6600 050	50	172	122	7.47
KZ 6600 063	63	198	135	8.07
KZ 6600 075	75	222	147	8.63
KZ 6600 080	80	232	152	8.86
KZ 6600 100	100	272	172	9.79
KZ 6600 125	125	322	197	10.95



CODE	Pressure Gauge	bar	psi	F <sub>0</sub> daN	F <sub>1</sub> daN
KZ 6600 050		150	2175	6630	10990
KZ-H 6600 050		0	0	---	---



N<sub>2</sub>

S<sub>max</sub> < 90%

V<sub>max</sub> 1,6 m/s

P<sub>min</sub> (20°C)  
P<sub>max</sub> (20°C)

T<sub>min</sub>  
T<sub>max</sub>

600 CP-

N <sub>2</sub>	S <sub>max</sub> < 90%	V <sub>max</sub> 1,6 m/s	bar psi	bar psi	°C °F	°C °F	600 CP-
			20 290	150 2175	0 32	80 176	

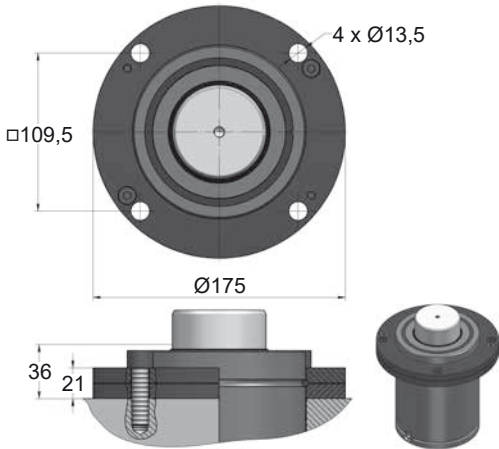


# KZ 6600 MOUNTS

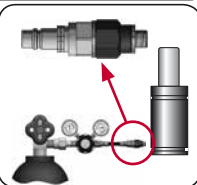
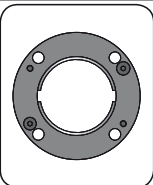
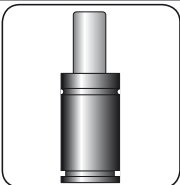
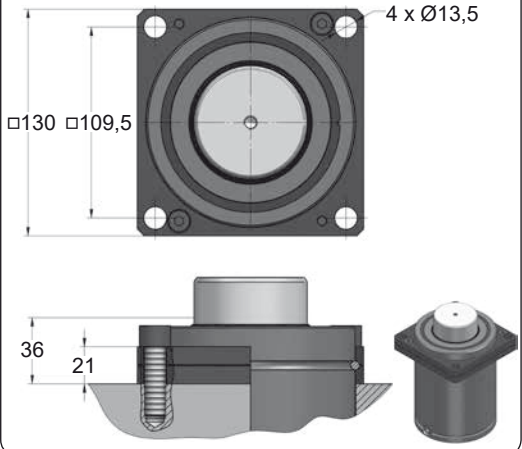
Compact Height

<b>MODEL</b>	<b>X</b>	CW 6600 KZ 6600 KT 6600	<b>X</b>	FD 5000	GN 5000 CM 6500 CD 6600	AG 5000	<b>X</b>	CS 11800
<b>SERIES</b>	MINI	COMPACT HEIGHT	THREADED	LOW PROFILE	HEAVY DUTY	ISO	HEAVY LOAD	POWER COMPACT STROKE

## A14-120



## A34-120



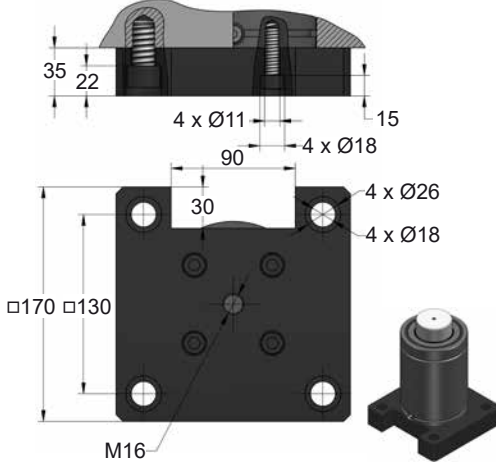
<b>CODE</b>	<b>KZ 6600 050</b>	<b>KIT S-XXXXXXX</b> <b>KIT C-XXXXXXX</b>	<b>A14-120</b>	<b>18 CG 1-Q</b>
ENG ORDER	GAS SPRING	REPAIR KIT	FLANGE	CHARGING ADAPTER
DEU BESTELLUNG	GASDRUCKFEDER	ERSATZTEILSATZ	FLANSCHEN	LADEADAPTER
FRA COMMANDE	RESSORT À GAZ	KIT DE RÉPARATION	BRIDE	RACCORD DE CHARGE
ITA ORDINE	CILINDRO AD AZOTO	KIT DI MANUTENZIONE	FLANGE	ADATTATORE DI CARICO
ESP PEDIDO	RESORTE DE GAS	KIT DE REPARACION	BRIDA	ADAPTADOR DE CARGA
POR PEDIDO	CILINDRO DE GÁS	KIT DE MANUTENÇÃO	FLANGE	ADAPTADOR DE CARGA

# KZ 6600 MOUNTS

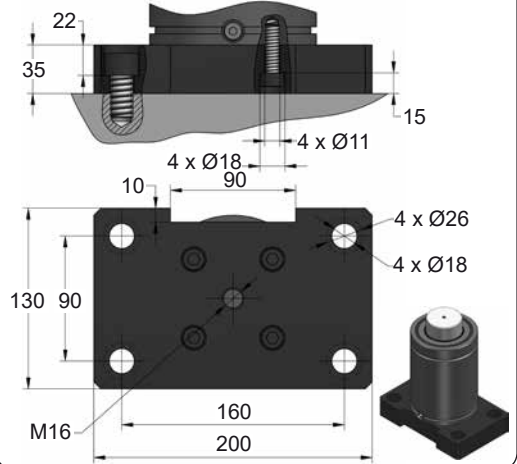
Compact Height

**AZOL  
GAS** 

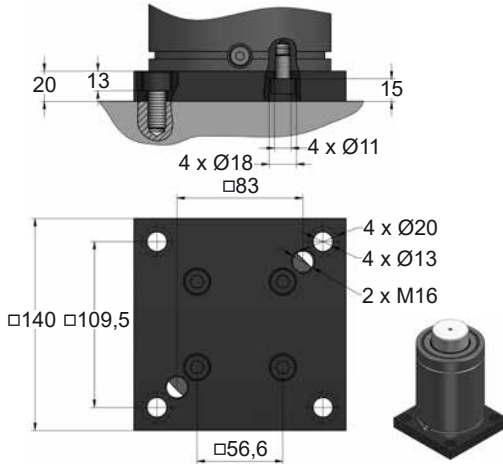
## B13-120



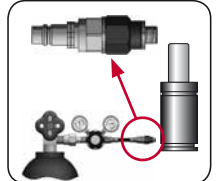
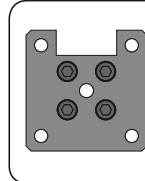
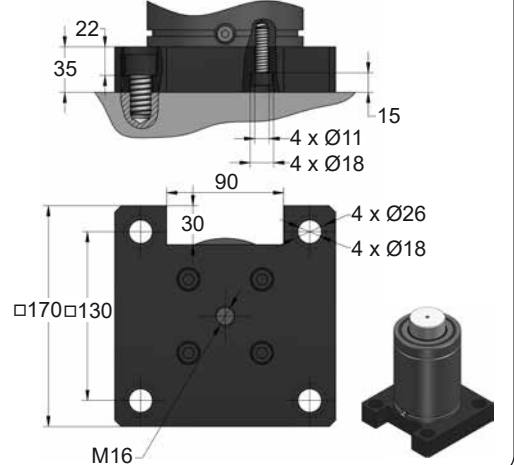
## B18-120



## B21-120



## B23-120



CODE	KZ 6600 050	KIT S-XXXXXXX KIT C-XXXXXXX	B13-120	18 CG 1-Q
ENG ORDER	GAS SPRING	REPAIR KIT	FLANGE	CHARGING ADAPTER
DEU BESTELLUNG	GASDRUCKFEDER	ERSATZTEILSATZ	FLANSCHEN	LADEADAPTER
FRA COMMANDE	RESSORT À GAZ	KIT DE RÉPARATION	BRIDE	RACCORD DE CHARGE
ITA ORDINE	CILINDRO AD AZOTO	KIT DI MANUTENZIONE	FLANGE	ADATTATORE DI CARICO
ESP PEDIDO	RESORTE DE GAS	KIT DE REPARACION	BRIDA	ADAPTADOR DE CARGA
POR PEDIDO	CILINDRO DE GÁS	KIT DE MANUTENÇÃO	FLANGE	ADAPTADOR DE CARGA

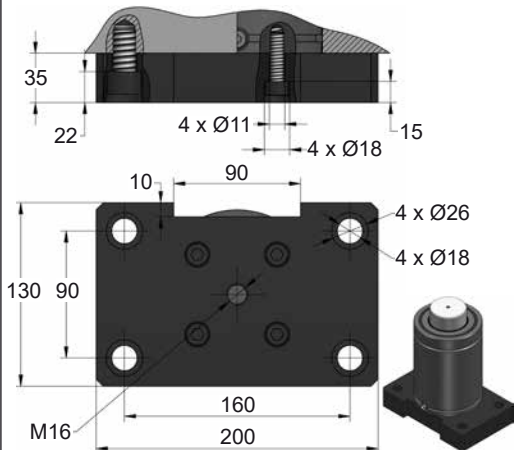




# KZ 6600 MOUNTS

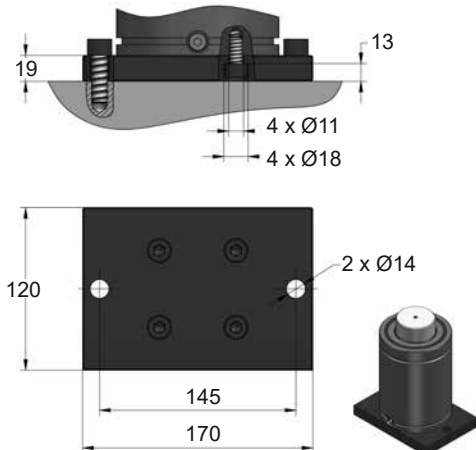
Compact Height

## B28-120



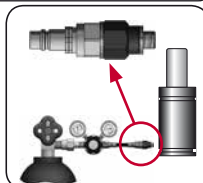
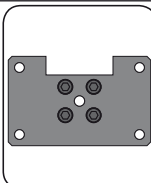
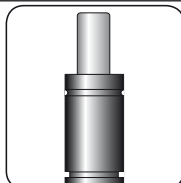
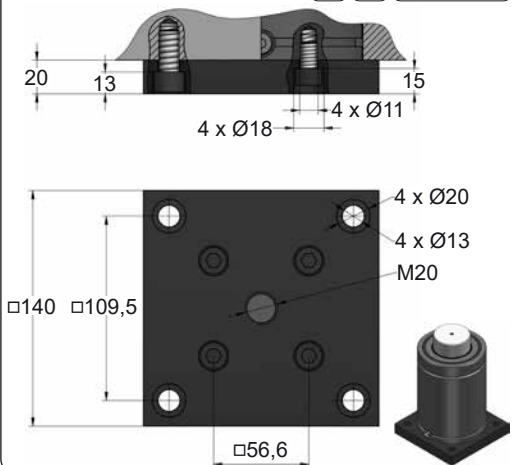
## B43-120

K32 P0  
EM24.54.700/F



## B76-120

ISO VALVETTE EM24.54.700/F



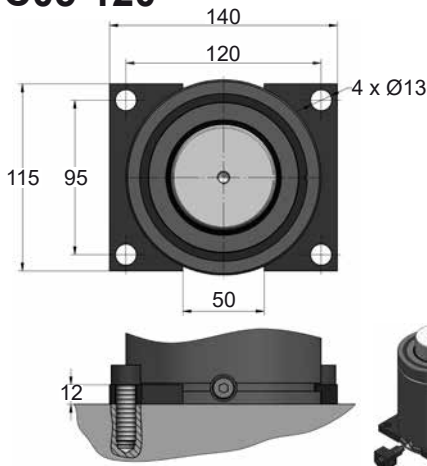
CODE	KZ 6600 050	KIT S-XXXXXXX KIT C-XXXXXXX	B28-120	18 CG 1-Q
ENG ORDER	GAS SPRING	REPAIR KIT	FLANGE	CHARGING ADAPTER
DEU BESTELLUNG	GASDRUCKFEDER	ERSATZTEILSATZ	FLANSCHEN	LADEADAPTER
FRA COMMANDE	RESSORT À GAZ	KIT DE RÉPARATION	BRIDE	RACCORD DE CHARGE
ITA ORDINE	CILINDRO AD AZOTO	KIT DI MANUTENZIONE	FLANGE	ADATTATORE DI CARICO
ESP PEDIDO	RESORTE DE GAS	KIT DE REPARACION	BRIDA	ADAPTADOR DE CARGA
POR PEDIDO	CILINDRO DE GÁS	KIT DE MANUTENÇÃO	FLANGE	ADAPTADOR DE CARGA

# KZ 6600 MOUNTS

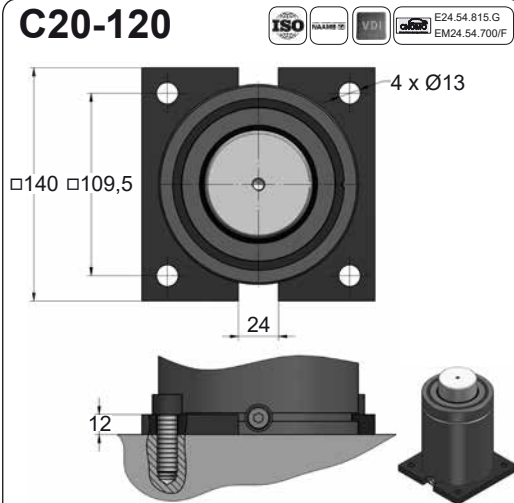
Compact Height

**AZOL  
GAS**

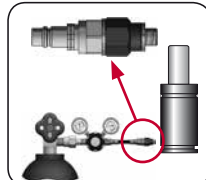
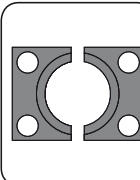
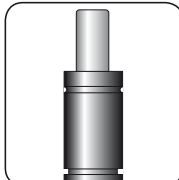
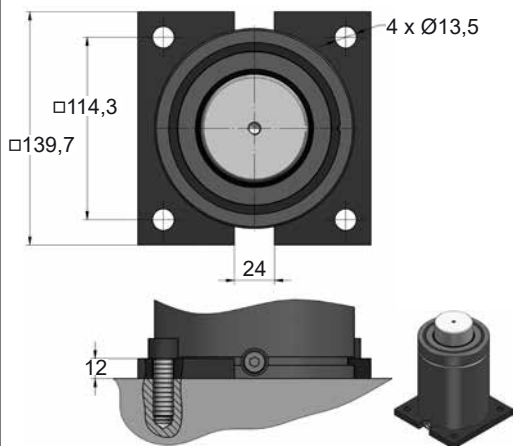

## C05-120



## C20-120



## CY0-120



CODE	KZ 6600 050	KIT S-XXXXXXX KIT C-XXXXXXX	C05-120	18 CG 1-Q
ENG ORDER	GAS SPRING	REPAIR KIT	FLANGE	CHARGING ADAPTER
DEU BESTELLUNG	GASDRUCKFEDER	ERSATZTEILSATZ	FLANSCHEN	LADEADAPTER
FRA COMMANDE	RESSORT À GAZ	KIT DE RÉPARATION	BRIDE	RACCORD DE CHARGE
ITA ORDINE	CILINDRO AD AZOTO	KIT DI MANUTENZIONE	FLANGE	ADATTATORE DI CARICO
ESP PEDIDO	RESORTE DE GAS	KIT DE REPARACION	BRIDA	ADAPTADOR DE CARGA
POR PEDIDO	CILINDRO DE GÁS	KIT DE MANUTENÇÃO	FLANGE	ADAPTADOR DE CARGA

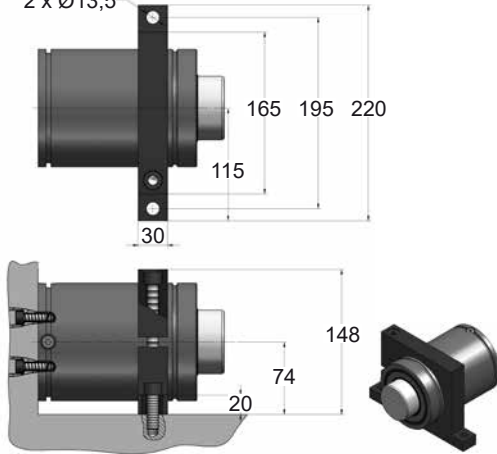


# KZ 6600 MOUNTS

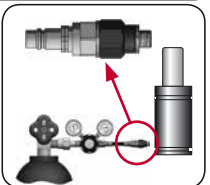
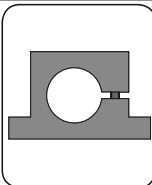
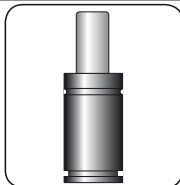
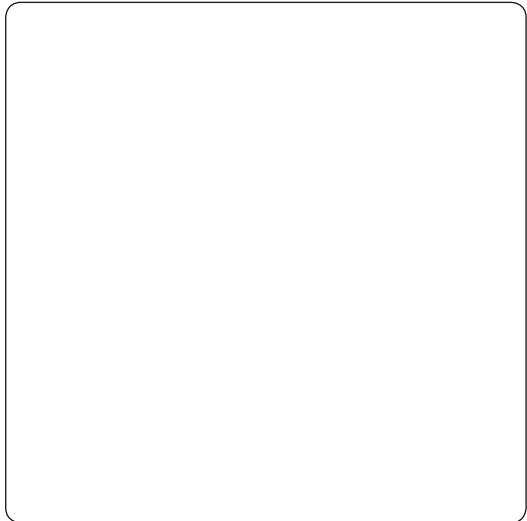
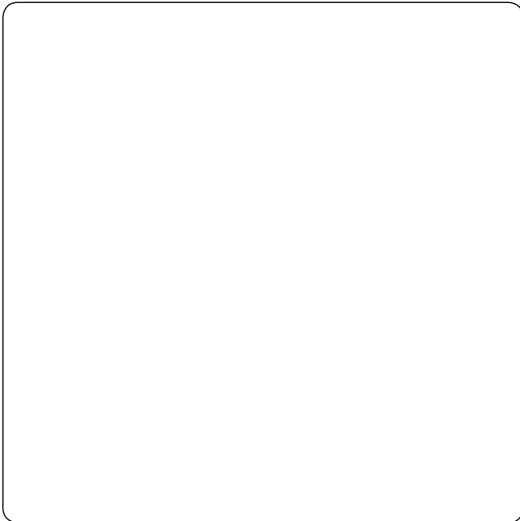
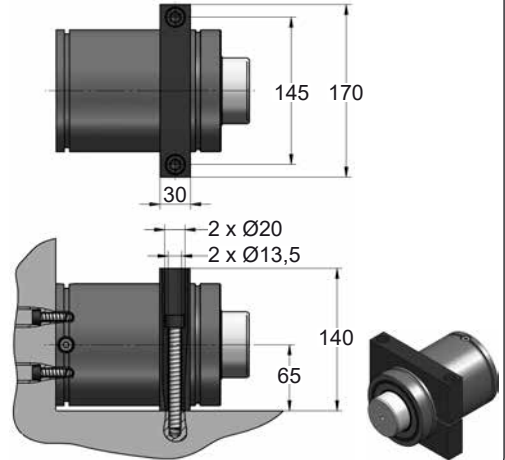
Compact Height

## D02-120

2 x Ø13,5



## D67-120



CODE	KZ 6600 050	KIT S-XXXXXXX KIT C-XXXXXXX	D02-120	18 CG 1-Q
ENG ORDER	GAS SPRING	REPAIR KIT	FLANGE	CHARGING ADAPTER
DEU BESTELLUNG	GASDRUCKFEDER	ERSATZTEILSATZ	FLANSCHEN	LADEADAPTER
FRA COMMANDE	RESSORT À GAZ	KIT DE RÉPARATION	BRIDE	RACCORD DE CHARGE
ITA ORDINE	CILINDRO AD AZOTO	KIT DI MANUTENZIONE	FLANGE	ADATTATORE DI CARICO
ESP PEDIDO	RESORTE DE GAS	KIT DE REPARACION	BRIDA	ADAPTADOR DE CARGA
POR PEDIDO	CILINDRO DE GÁS	KIT DE MANUTENÇÃO	FLANGE	ADAPTADOR DE CARGA

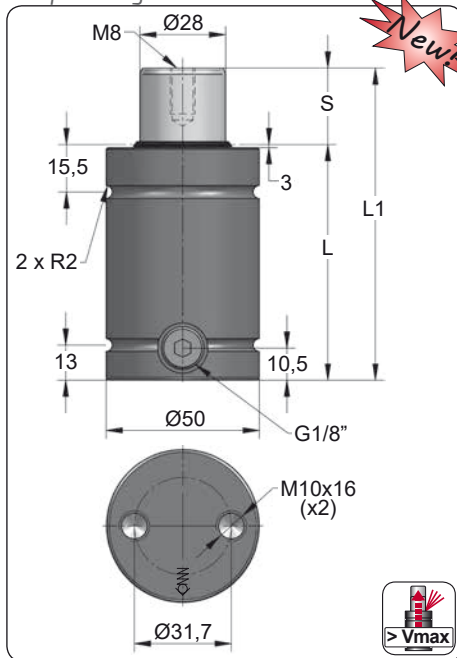




# KT 1000

Compact Height

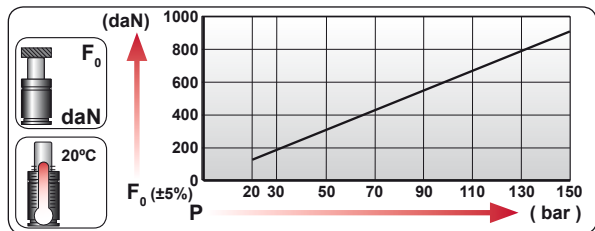
	PSA	E24.54.815.G
	RENAULT	EM24.54.700
TOYOTA	SMS DKH3221n	NISSAN K32R0



ORDER	S (mm)	L1 ±0.25 (mm)	L (mm)	Kg.
KT 1000 010	10	72	62	0.71
KT 1000 013	13	78	65	0.74
KT 1000 016	16	84	68	0.76
KT 1000 019	19	90	71	0.79
KT 1000 025	25	102	77	0.84
KT 1000 032	32	116	84	0.90
KT 1000 038	38	128	90	0.95
KT 1000 050	50	152	102	1.05
KT 1000 063	63	178	115	1.16
KT 1000 075	75	202	127	1.26
KT 1000 080	80	212	132	1.30
KT 1000 100	100	252	152	1.47
KT 1000 125	125	302	177	1.68

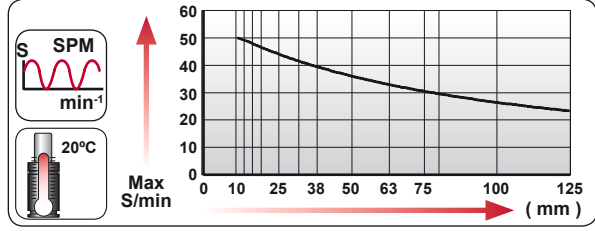
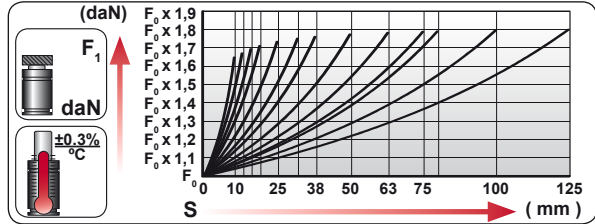


CODE	Pressure	F <sub>0</sub> (daN)	F <sub>1</sub> (daN)
KT 1000 050	150 bar / 2175 psi	920	1495
KT-H 1000 050	0 bar / 0 psi	---	---


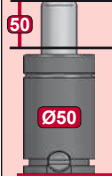



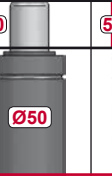











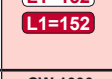


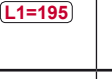





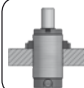







ENG ORDER  
 DEU BESTELLUNG  
 FRA COMMANDE  
 ITA ORDINE  
 ESP PEDIDO  
 POR PEDIDO

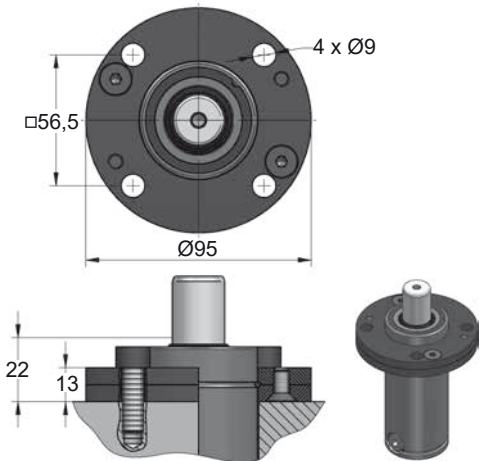
**KT 1000 50**



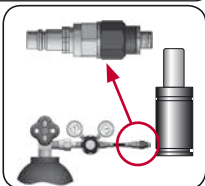
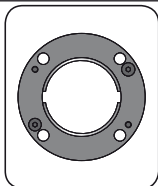
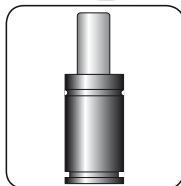
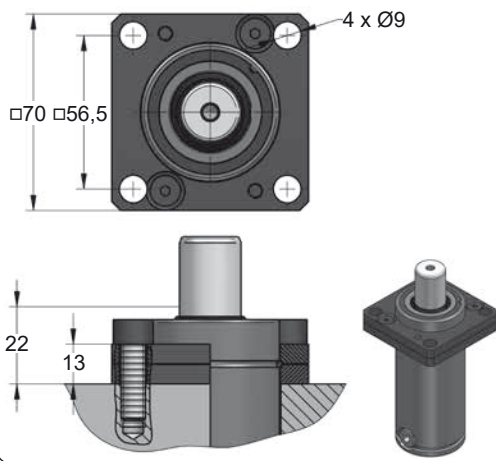
N <sub>2</sub>	Smax < 90%	Vmax 1,6 m/s	bar psi	bar psi	°C °F	°C °F	600 CP-
			20 290	150 2175	0 32	80 176	

								
								
								
<b>MODEL</b>	<b>X</b> CW 1000 KZ 1000 KT 1000	<b>X</b>	CT 750 CK 1000 FD 750	GN 750 CM 1000 CD 1000	AG 750	CPH 1700 CP 2000	CS 1800	
<b>SERIES</b>	MINI 	COMPACT HEIGHT 	THREADED 	LOW PROFILE 	HEAVY DUTY 	ISO 	HEAVY LOAD 	POWER COMPACT STROKE 

## A14-050



## A34-050



<b>CODE</b>	<b>KT 1000 050</b>	<b>KIT S-XXXXXXX</b> <b>KIT C-XXXXXXX</b>	<b>A14-050</b>	<b>18 CG 1-Q</b>
ENG ORDER	GAS SPRING	REPAIR KIT	FLANGE	CHARGING ADAPTER
DEU BESTELLUNG	GASDRUCKFEDER	ERSATZTEILSATZ	FLANSCHEN	LADEADAPTER
FRA COMMANDE	RESSORT À GAZ	KIT DE RÉPARATION	BRIDE	RACCORD DE CHARGE
ITA ORDINE	CILINDRO AD AZOTO	KIT DI MANUTENZIONE	FLANGE	ADATTATORE DI CARICO
ESP PEDIDO	RESORTE DE GAS	KIT DE REPARACION	BRIDA	ADAPTADOR DE CARGA
POR PEDIDO	CILINDRO DE GÁS	KIT DE MANUTENÇÃO	FLANGE	ADAPTADOR DE CARGA

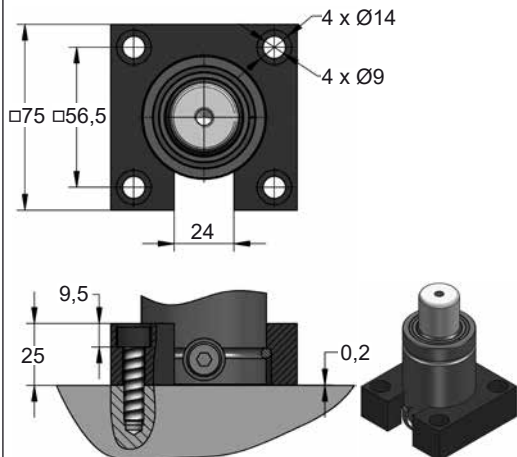
# KT 1000 MOUNTS

Compact Height

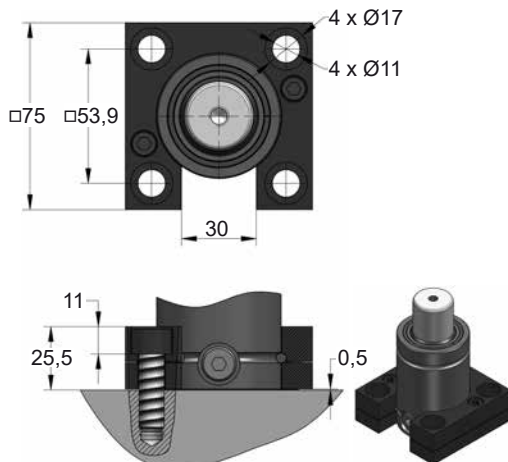
**AZOL**  
**GAS**

## AX9-050

E24.54.815.G



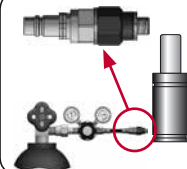
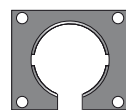
## AY4-050



SEAL  
KIT S-XXXXXXX



CARTRIDGE  
KIT C-XXXXXXX



CODE	KT 1000 050	KIT S-XXXXXXX KIT C-XXXXXXX	AX9-050	18 CG 1-Q
ENG ORDER	GAS SPRING	REPAIR KIT	FLANGE	CHARGING ADAPTER
DEU BESTELLUNG	GASDRUCKFEDER	ERSATZTEILSATZ	FLANSCHEN	LADEADAPTER
FRA COMMANDE	RESSORT À GAZ	KIT DE RÉPARATION	BRIDE	RACCORD DE CHARGE
ITA ORDINE	CILINDRO AD AZOTO	KIT DI MANUTENZIONE	FLANGE	ADATTATORE DI CARICO
ESP PEDIDO	RESORTE DE GAS	KIT DE REPARACION	BRIDA	ADAPTADOR DE CARGA
POR PEDIDO	CILINDRO DE GÁS	KIT DE MANUTENÇÃO	FLANGE	ADAPTADOR DE CARGA

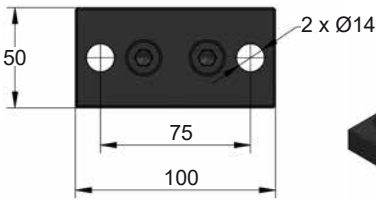
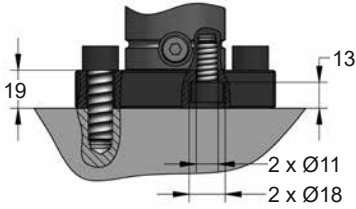


# KT 1000 MOUNTS

Compact Height

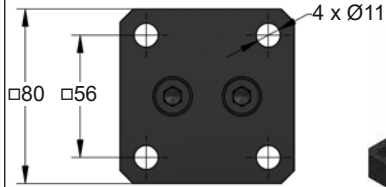
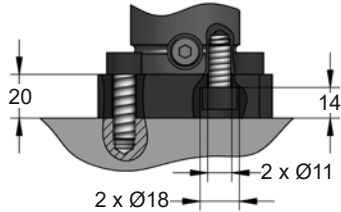
## B33-050

K32 D2  
EM24.54.700/F



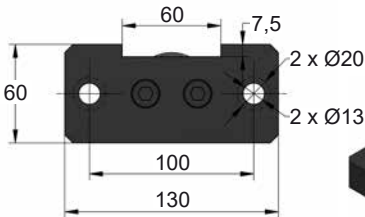
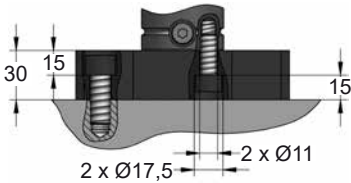
## B56-050

SMS DKH 3221n



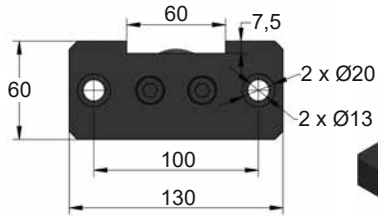
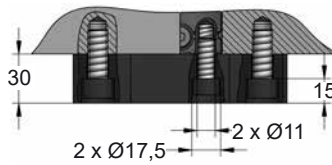
## B61-050

SMS DKH 3221n

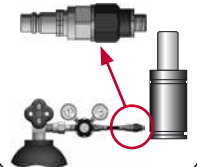


## B71-050

SMS DKH 3221n



**SEAL KIT S-XXXXXXX**  
**CARTRIDGE KIT C-XXXXXXX**



CODE	KT 1000 050	KIT S-XXXXXXX KIT C-XXXXXXX	B33-050	18 CG 1-Q
ENG ORDER	GAS SPRING	REPAIR KIT	FLANGE	CHARGING ADAPTER
DEU BESTELLUNG	GASDRUCKFEDER	ERSATZTEILSATZ	FLANSCH	LADEADAPTER
FRA COMMANDE	RESSORT À GAZ	KIT DE RÉPARATION	BRIDE	RACCORD DE CHARGE
ITA ORDINE	CILINDRO AD AZOTO	KIT DI MANUTENZIONE	FLANGE	ADATTATORE DI CARICO
ESP PEDIDO	RESORTE DE GAS	KIT DE REPARACION	BRIDA	ADAPTADOR DE CARGA
POR PEDIDO	CILINDRO DE GÁS	KIT DE MANUTENÇÃO	FLANGE	ADAPTADOR DE CARGA

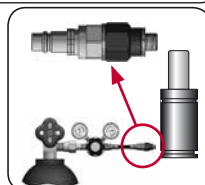
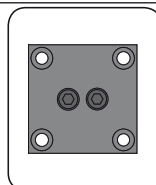
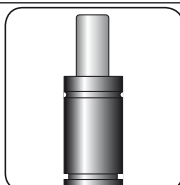
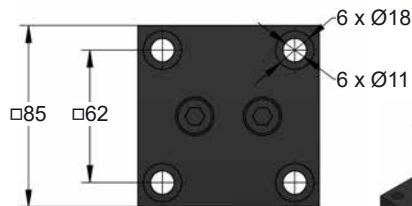
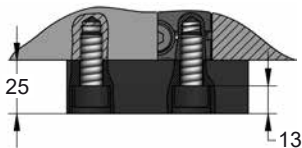
# KT 1000 MOUNTS

Compact Height

**AZOL  
GAS**

## B91-050

E24.54.815.G



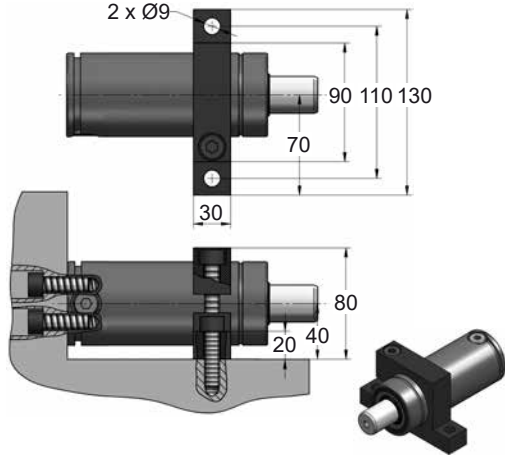
CODE	KT 1000 050	KIT S-XXXXXXX KIT C-XXXXXXX	B91-050	18 CG 1-Q
ENG ORDER	GAS SPRING	REPAIR KIT	FLANGE	CHARGING ADAPTER
DEU BESTELLUNG	GASDRUCKFEDER	ERSATZTEILSATZ	FLANSCHEN	LADEADAPTER
FRA COMMANDE	RESSORT À GAZ	KIT DE RÉPARATION	BRIDE	RACCORD DE CHARGE
ITA ORDINE	CILINDRO AD AZOTO	KIT DI MANUTENZIONE	FLANGE	ADATTATORE DI CARICO
ESP PEDIDO	RESORTE DE GAS	KIT DE REPARACION	BRIDA	ADAPTADOR DE CARGA
POR PEDIDO	CILINDRO DE GÁS	KIT DE MANUTENÇÃO	FLANGE	ADAPTADOR DE CARGA



# KT 1000 MOUNTS

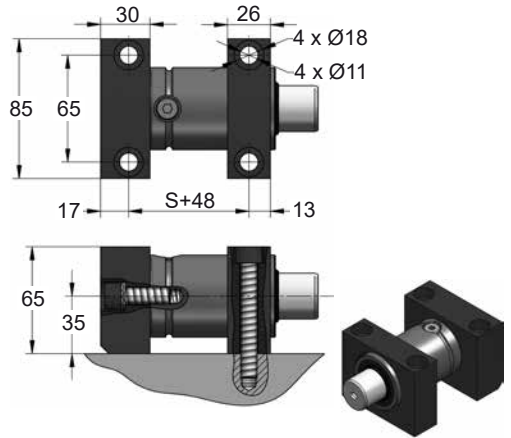
Compact Height

## D02-050

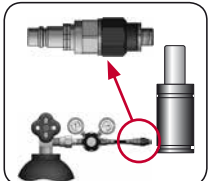
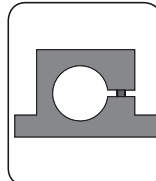
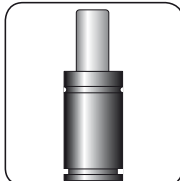
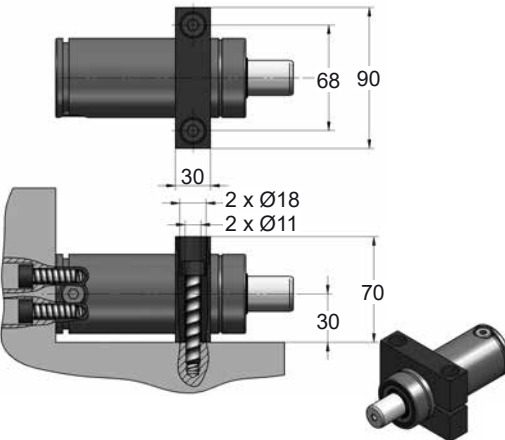


## D47-050

SMS DNH 3203n



## D67-050

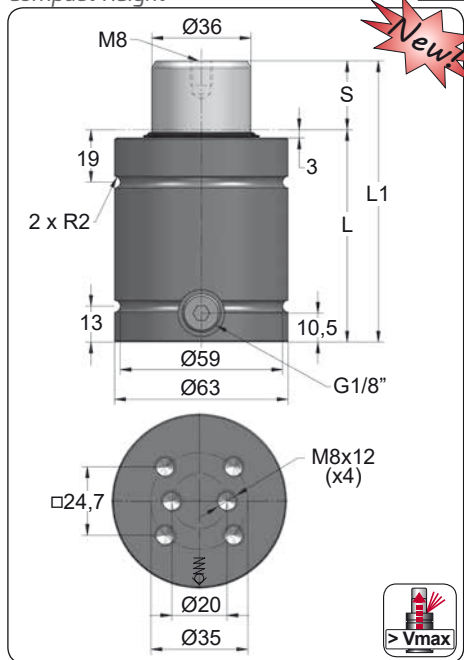


CODE	KT 1000 050	KIT S-XXXXXXX KIT C-XXXXXXX	D02-050	18 CG 1-Q
ENG ORDER	GAS SPRING	REPAIR KIT	FLANGE	CHARGING ADAPTER
DEU BESTELLUNG	GASDRUCKFEDER	ERSATZTEILSATZ	FLANSCHEN	LADEADAPTER
FRA COMMANDE	RESSORT À GAZ	KIT DE RÉPARATION	BRIDE	RACCORD DE CHARGE
ITA ORDINE	CILINDRO AD AZOTO	KIT DI MANUTENZIONE	FLANGE	ADATTATORE DI CARICO
ESP PEDIDO	RESORTE DE GAS	KIT DE REPARACION	BRIDA	ADAPTADOR DE CARGA
POR PEDIDO	CILINDRO DE GÁS	KIT DE MANUTENÇÃO	FLANGE	ADAPTADOR DE CARGA

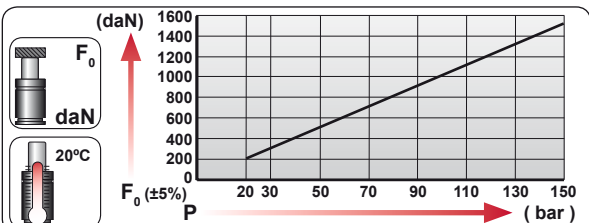
# KT 1500

Compact Height

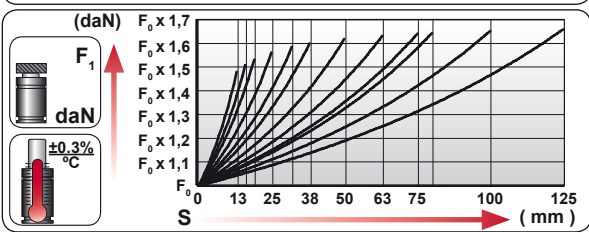


ORDER	S (mm)	L1 ±0.25 (mm)	L (mm)	Kg.
KT 1500 013	13	78	65	1.17
KT 1500 016	16	84	68	1.21
KT 1500 019	19	90	71	1.25
KT 1500 025	25	102	77	1.32
KT 1500 032	32	116	84	1.41
KT 1500 038	38	128	90	1.49
KT 1500 050	50	152	102	1.64
KT 1500 063	63	178	115	1.81
KT 1500 075	75	202	127	1.97
KT 1500 080	80	212	132	2.03
KT 1500 100	100	252	152	2.29
KT 1500 125	125	302	177	2.61



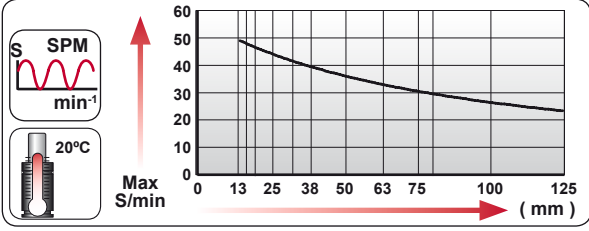
CODE	Pressure (bar/psi)	F <sub>0</sub> (daN)	F <sub>1</sub> (daN)
KT 1500 050	150 / 2175	1530	2475
KT-H 1500 050	0 / 0	---	---



ENG	ORDER
DEU	BESTELLUNG
FRA	COMMANDE
ITA	ORDINE
ESP	PEDIDO
POR	PEDIDO



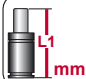
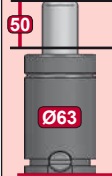





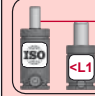
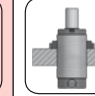


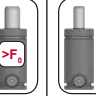


**F<sub>0</sub>** (daN)     **S** (mm)

**KT 1500 50**

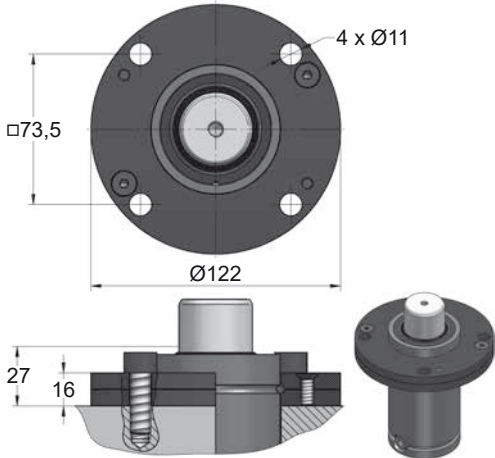


	<b>S<sub>max</sub> &lt; 90%</b>	<b>V<sub>max</sub> 1,6 m/s</b>	<b>P<sub>min</sub> (20°C)</b>	<b>P<sub>max</sub> (20°C)</b>	<b>T<sub>min</sub></b>	<b>T<sub>max</sub></b>	
--	---------------------------------	--------------------------------	-------------------------------	-------------------------------	------------------------	------------------------	--

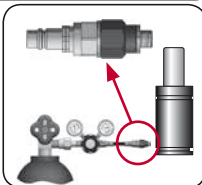
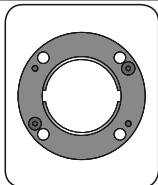
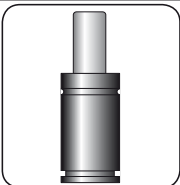
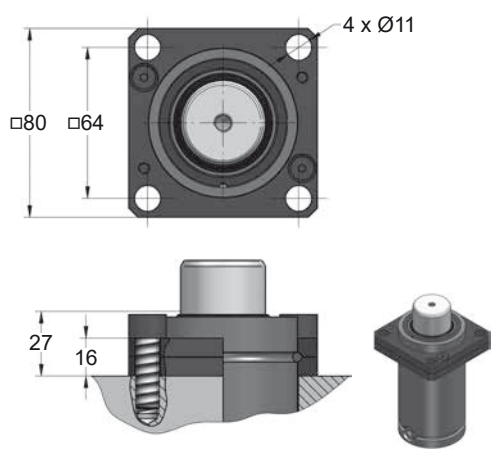
N <sub>2</sub>	S <sub>max</sub> < 90%	V <sub>max</sub> 1,6 m/s	bar psi 20 290	bar psi 150 2175	°C °F 0 32	°C °F 80 176	600 CP-
----------------	------------------------	--------------------------	-------------------	---------------------	---------------	-----------------	---------

								
	<b>50</b>	<b>50</b>	<b>50</b>	<b>50</b>	<b>50</b>	<b>50</b>	<b>50</b>	
	<b>Ø63</b>	<b>Ø63</b>	<b>Ø63</b>	<b>Ø63</b>	<b>Ø63</b>	<b>Ø63</b>	<b>Ø63</b>	
	<b>L1=144</b>	<b>L1=152</b>	<b>L1=152</b>	<b>L1=185</b>	<b>L1=175</b>	<b>L1=190</b>	<b>L1=205</b>	
	<b>L1=152</b>	<b>L1=160</b>	<b>L1=185</b>	<b>L1=195</b>				
<b>MODEL</b>	<b>X</b>	CW 1500 KZ 1500 KT 1500	<b>X</b>	CT 1500 CK 1500	CM 1500 CD 1500	<b>X</b>	CPH 2800 CP 3000	CS 3000
<b>SERIES</b>	MINI	COMPACT HEIGHT	THREADED	LOW PROFILE	HEAVY DUTY	ISO	HEAVY LOAD	POWER COMPACT STROKE
								

**A14-063**



**A69-063**



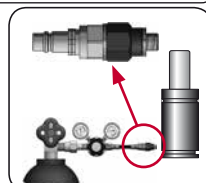
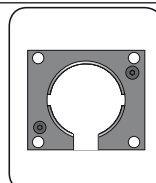
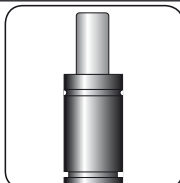
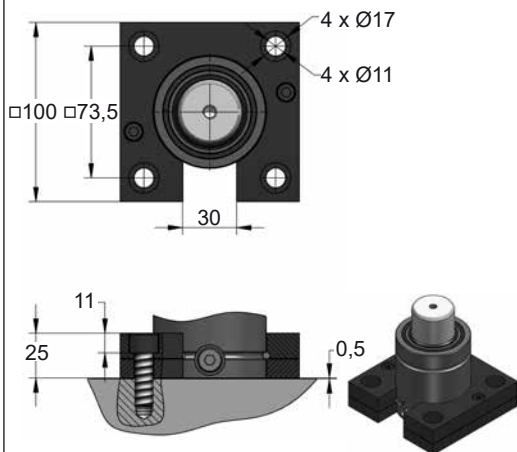
<b>CODE</b>	<b>KT 1500 050</b>	<b>KIT S-XXXXXXX</b> <b>KIT C-XXXXXXX</b>	<b>A14-063</b>	<b>18 CG 1-Q</b>
ENG ORDER	GAS SPRING	REPAIR KIT	FLANGE	CHARGING ADAPTER
DEU BESTELLUNG	GASDRUCKFEDER	ERSATZTEILSATZ	FLANSCHEN	LADEADAPTER
FRA COMMANDE	RESSORT À GAZ	KIT DE RÉPARATION	BRIDE	RACCORD DE CHARGE
ITA ORDINE	CILINDRO AD AZOTO	KIT DI MANUTENZIONE	FLANGE	ADATTATORE DI CARICO
ESP PEDIDO	RESORTE DE GAS	KIT DE REPARACION	BRIDA	ADAPTADOR DE CARGA
POR PEDIDO	CILINDRO DE GÁS	KIT DE MANUTENÇÃO	FLANGE	ADAPTADOR DE CARGA

# KT 1500 MOUNTS

Compact Height

**AZOL**  
**GAS**


## AY4-063

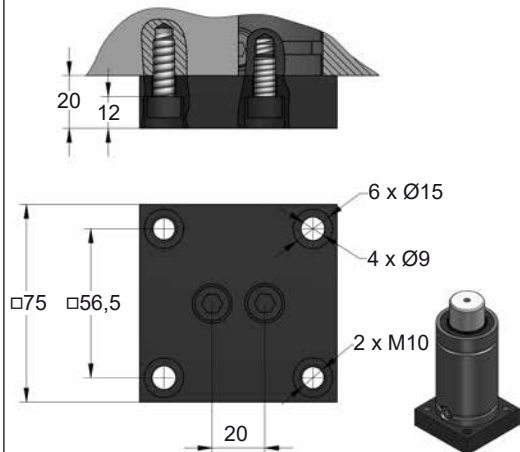


CODE	KT 1500 050	KIT S-XXXXXXX KIT C-XXXXXXX	AY4-063	18 CG 1-Q
ENG ORDER	GAS SPRING	REPAIR KIT	FLANGE	CHARGING ADAPTER
DEU BESTELLUNG	GASDRUCKFEDER	ERSATZTEILSATZ	FLANSCHEN	LADEADAPTER
FRA COMMANDE	RESSORT À GAZ	KIT DE RÉPARATION	BRIDE	RACCORD DE CHARGE
ITA ORDINE	CILINDRO AD AZOTO	KIT DI MANUTENZIONE	FLANGE	ADATTATORE DI CARICO
ESP PEDIDO	RESORTE DE GAS	KIT DE REPARACION	BRIDA	ADAPTADOR DE CARGA
POR PEDIDO	CILINDRO DE GÁS	KIT DE MANUTENÇÃO	FLANGE	ADAPTADOR DE CARGA

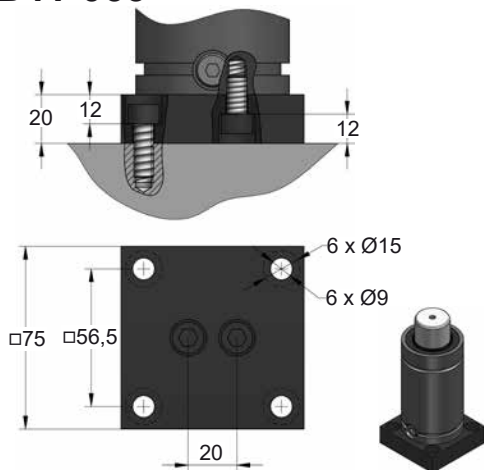
# KT 1500 MOUNTS

Compact Height

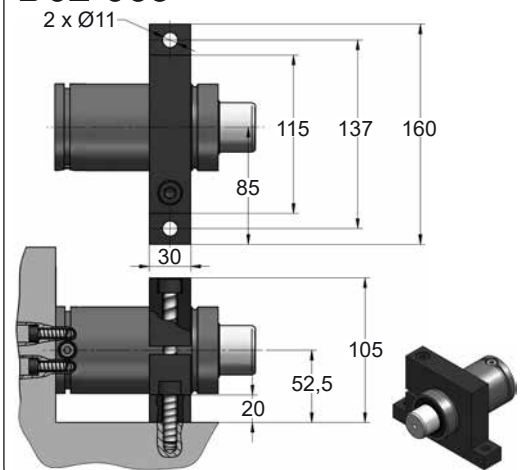
## B36-063



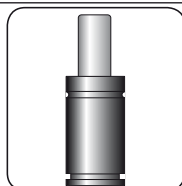
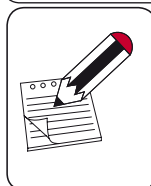
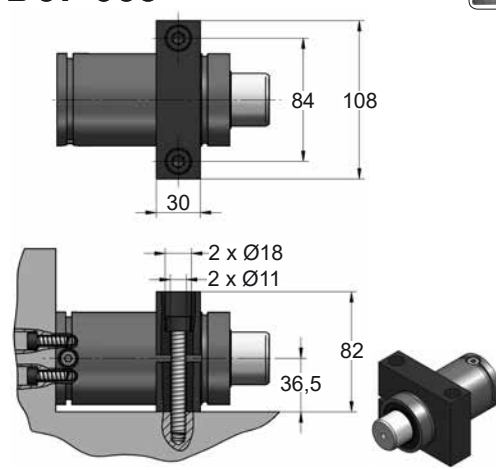
## B41-063



## D02-063



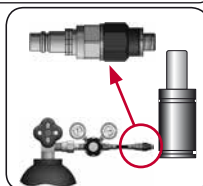
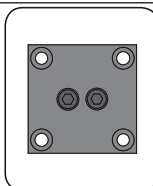
## D67-063



SEAL  
KIT S-XXXXXXX



CARTRIDGE  
KIT C-XXXXXXX

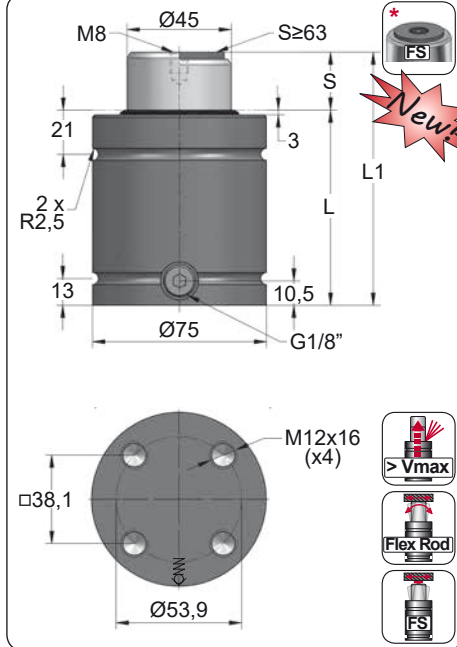


CODE	KT 1500 050	KIT S-XXXXXXX KIT C-XXXXXXX	B36-063	18 CG 1-Q
ENG ORDER	GAS SPRING	REPAIR KIT	FLANGE	CHARGING ADAPTER
DEU BESTELLUNG	GASDRUCKFEDER	ERSATZTEILSATZ	FLANSCHEN	LADEADAPTER
FRA COMMANDE	RESSORT À GAZ	KIT DE RÉPARATION	BRIDE	RACCORD DE CHARGE
ITA ORDINE	CILINDRO AD AZOTO	KIT DI MANUTENZIONE	FLANGE	ADATTATORE DI CARICO
ESP PEDIDO	RESORTE DE GAS	KIT DE REPARACION	BRIDA	ADAPTADOR DE CARGA
POR PEDIDO	CILINDRO DE GÁS	KIT DE MANUTENÇÃO	FLANGE	ADAPTADOR DE CARGA

# KT 2400

Compact Height

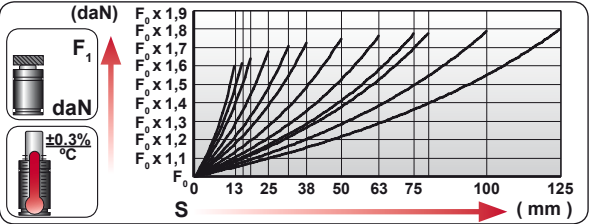
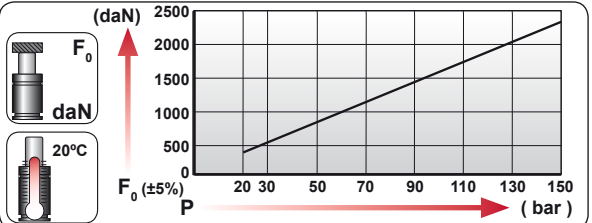
	PSA	E24.54.815.G
	RENAULT	EM24.54.700
TOYOTA	SMS DKH3221n	NISSAN K32R0



ORDER	S (mm)	L1 ±0.25 (mm)	L (mm)	Kg.
KT 2400 013	13	85	72	1.84
KT 2400 016	16	91	75	1.89
KT 2400 019	19	97	78	1.94
KT 2400 025	25	109	84	2.04
KT 2400 032	32	123	91	2.16
KT 2400 038	38	135	97	2.26
KT 2400 050	50	159	109	2.47
KT 2400 063 *	63	185	122	2.69
KT 2400 075 *	75	209	134	2.90
KT 2400 080 *	80	219	139	2.98
KT 2400 100 *	100	259	159	3.33
KT 2400 125 *	125	309	184	3.75

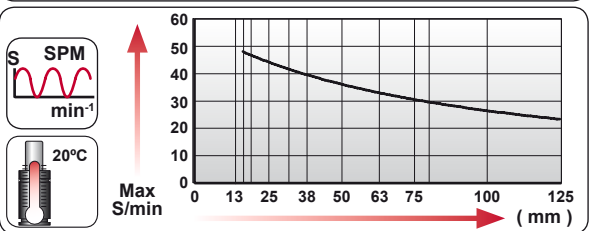


CODE	Pressure (bar/psi)	F <sub>0</sub> (daN)	F <sub>1</sub> (daN)
KT 2400 050	150 / 2175	2385	3890
KT-H 2400 050	0 / 0	---	---



ENG ORDER  
 DEU BESTELLUNG  
 FRA COMMANDE  
 ITA ORDINE  
 ESP PEDIDO  
 POR PEDIDO

KT 2400 50



N<sub>2</sub> | S<sub>max</sub> < 90% | V<sub>max</sub> 1,6 m/s | Pmin (20°C) | Pmax (20°C) | Tmin | Tmax | 600 CP-

N <sub>2</sub>	S <sub>max</sub> < 90%	V <sub>max</sub> 1,6 m/s	bar psi	bar psi	°C °F	°C °F	600 CP-
			20 290	150 2175	0 32	80 176	



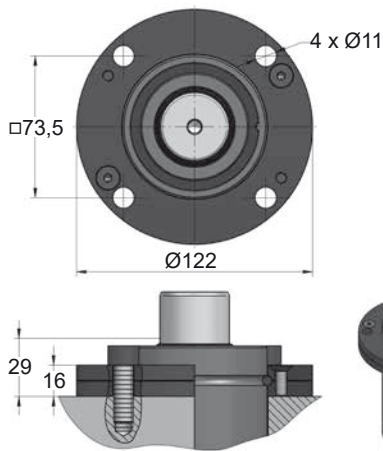


# KT 2400 MOUNTS

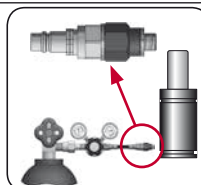
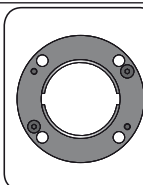
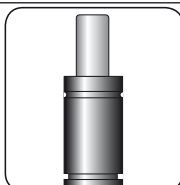
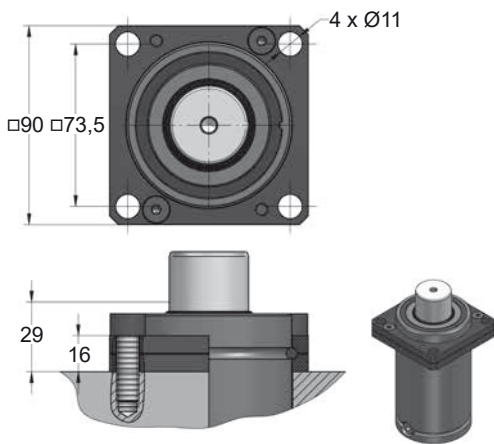
Compact Height

<b>MODEL</b>	<b>X</b>	CW 2400 KZ 2400 <b>KT 2400</b>	<b>X</b>	CT 2500 CK 2500 FD 1500	GN 1500 CM 2500 CD 2400	AG 1500	CPH 4300 CP 5000	CS 4700
<b>SERIES</b>	MINI	COMPACT HEIGHT	THREADED	LOW PROFILE	HEAVY DUTY	ISO	HEAVY LOAD	POWER COMPACT STROKE

## A14-075



## A34-075



<b>CODE</b>	<b>KT 2400 050</b>	<b>KIT S-XXXXXXX</b> <b>KIT C-XXXXXXX</b>	<b>A14-075</b>	<b>18 CG 1-Q</b>
ENG ORDER	GAS SPRING	REPAIR KIT	FLANGE	CHARGING ADAPTER
DEU BESTELLUNG	GASDRUCKFEDER	ERSATZTEILSATZ	FLANSCHEN	LADEADAPTER
FRA COMMANDE	RESSORT À GAZ	KIT DE RÉPARATION	BRIDE	RACCORD DE CHARGE
ITA ORDINE	CILINDRO AD AZOTO	KIT DI MANUTENZIONE	FLANGE	ADATTATORE DI CARICO
ESP PEDIDO	RESORTE DE GAS	KIT DE REPARACION	BRIDA	ADAPTADOR DE CARGA
POR PEDIDO	CILINDRO DE GÁS	KIT DE MANUTENÇÃO	FLANGE	ADAPTADOR DE CARGA

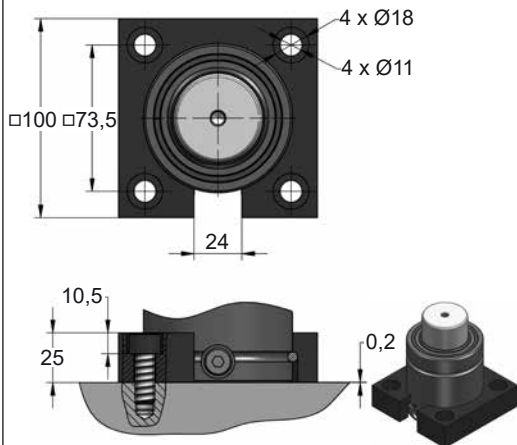
# KT 2400 MOUNTS

Compact Height

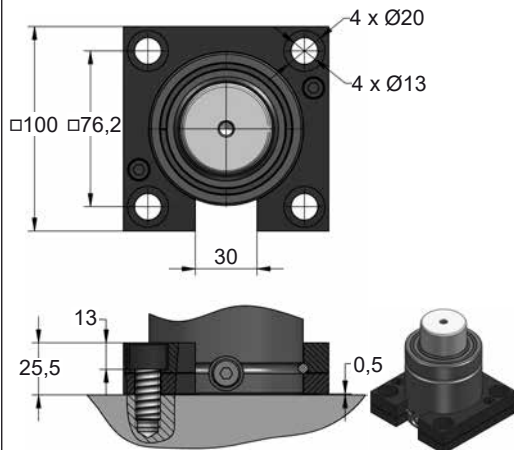
**AZOL**  
**GAS**

## AX9-075

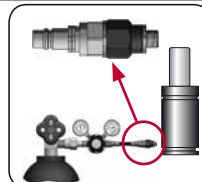
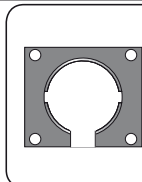
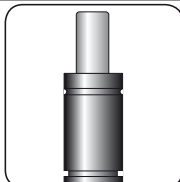
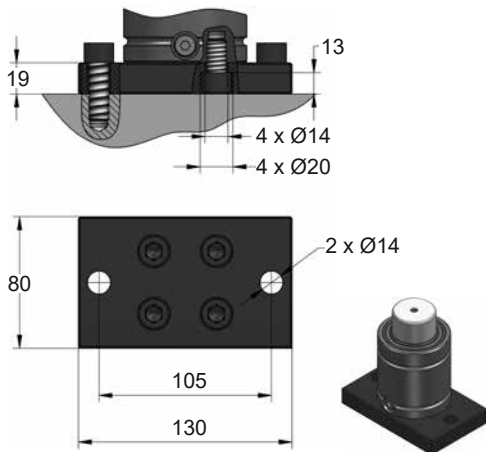
E24.54.815.G



## AY4-075



## B33-075

K32 D2  
EM24.54.700/F

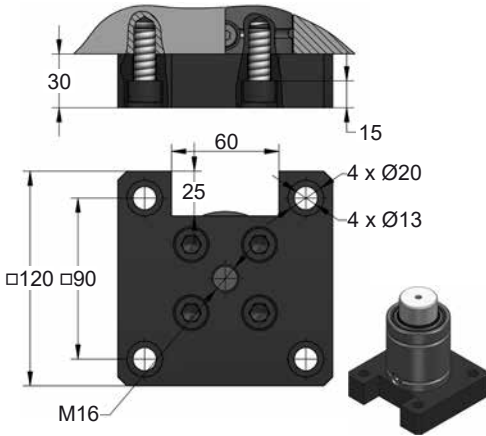
CODE	KT 2400 050	KIT S-XXXXXXX KIT C-XXXXXXX	AX9-075	18 CG 1-Q
ENG ORDER	GAS SPRING	REPAIR KIT	FLANGE	CHARGING ADAPTER
DEU BESTELLUNG	GASDRUCKFEDER	ERSATZTEILSATZ	FLANSCHEN	LADEADAPTER
FRA COMMANDE	RESSORT À GAZ	KIT DE RÉPARATION	BRIDE	RACCORD DE CHARGE
ITA ORDINE	CILINDRO AD AZOTO	KIT DI MANUTENZIONE	FLANGE	ADATTATORE DI CARICO
ESP PEDIDO	RESORTE DE GAS	KIT DE REPARACION	BRIDA	ADAPTADOR DE CARGA
POR PEDIDO	CILINDRO DE GÁS	KIT DE MANUTENÇÃO	FLANGE	ADAPTADOR DE CARGA

# KT 2400 MOUNTS

Compact Height

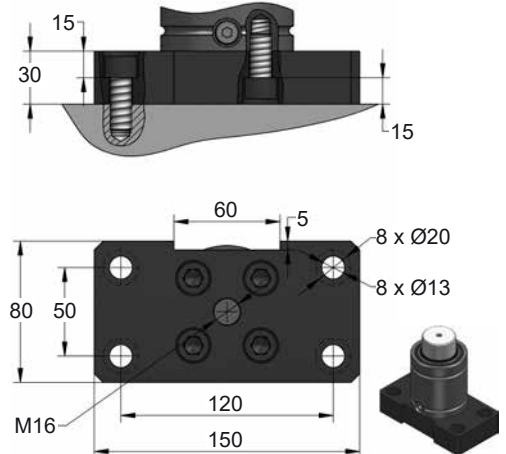
## B56-075

SMS DKH 3221n



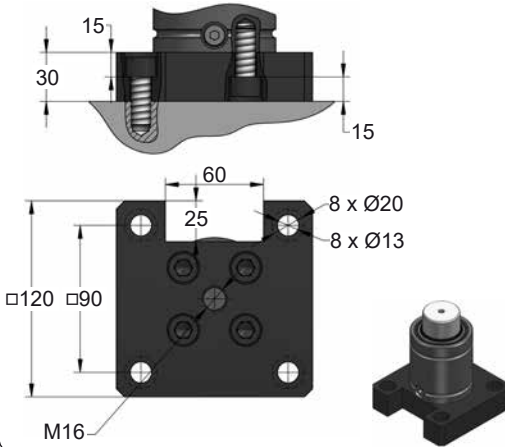
## B61-075

SMS DKH 3221n



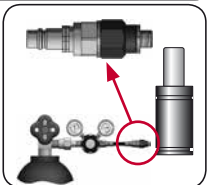
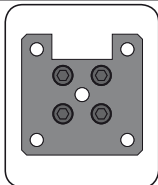
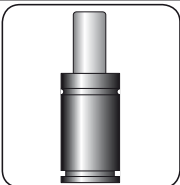
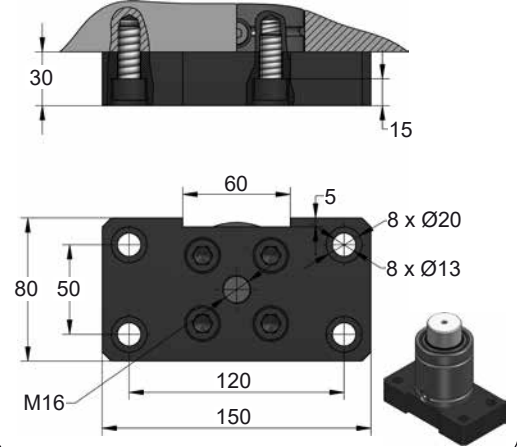
## B66-075

SMS DKH 3221n



## B71-075

SMS DKH 3221n



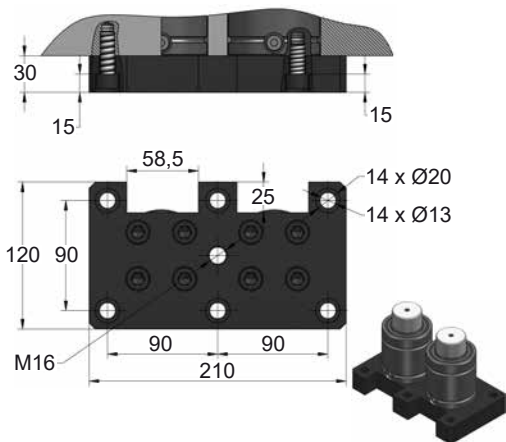
CODE	KT 2400 050	KIT S-XXXXXXX KIT C-XXXXXXX	B56-075	18 CG 1-Q
ENG ORDER	GAS SPRING	REPAIR KIT	FLANGE	CHARGING ADAPTER
DEU BESTELLUNG	GASDRUCKFEDER	ERSATZTEILSATZ	FLANSCHEN	LADEADAPTER
FRA COMMANDE	RESSORT À GAZ	KIT DE RÉPARATION	BRIDE	RACCORD DE CHARGE
ITA ORDINE	CILINDRO AD AZOTO	KIT DI MANUTENZIONE	FLANGE	ADATTATORE DI CARICO
ESP PEDIDO	RESORTE DE GAS	KIT DE REPARACION	BRIDA	ADAPTADOR DE CARGA
POR PEDIDO	CILINDRO DE GAS	KIT DE MANUTENÇÃO	FLANGE	ADAPTADOR DE CARGA

# KT 2400 MOUNTS

Compact Height

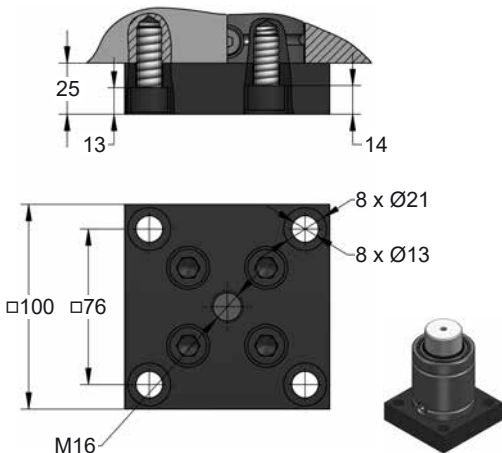


## B88-075

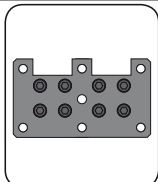
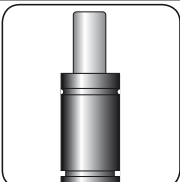
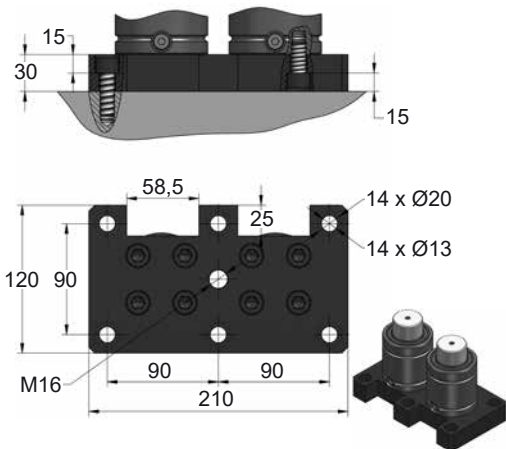


## B91-075

E24.54.815.G



## B93-075



CODE	KT 2400 050	KIT S-XXXXXXX KIT C-XXXXXXX	B88-075	18 CG 1-Q
ENG	ORDER	GAS SPRING	FLANGE	CHARGING ADAPTER
DEU	BESTELLUNG	GASDRUCKFEDER	FLANSCHEN	LADEADAPTER
FRA	COMMANDE	RESSORT À GAZ	BRIDE	RACCORD DE CHARGE
ITA	ORDINE	CILINDRO AD AZOTO	FLANGE	ADATTATORE DI CARICO
ESP	PEDIDO	RESORTE DE GAS	BRIDA	ADAPTADOR DE CARGA
POR	PEDIDO	CILINDRO DE GÁS	FLANGE	ADAPTADOR DE CARGA



# KT 2400 MOUNTS

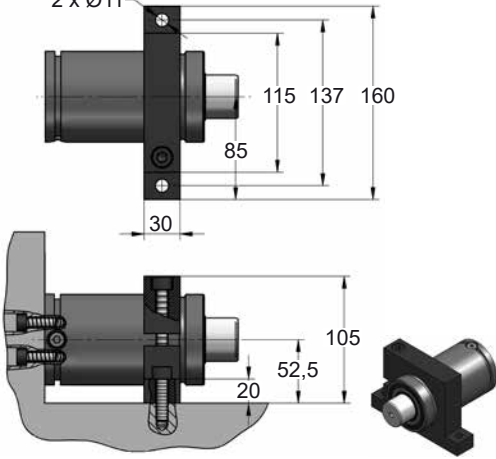
Compact Height

## D02-075

2 x Ø11

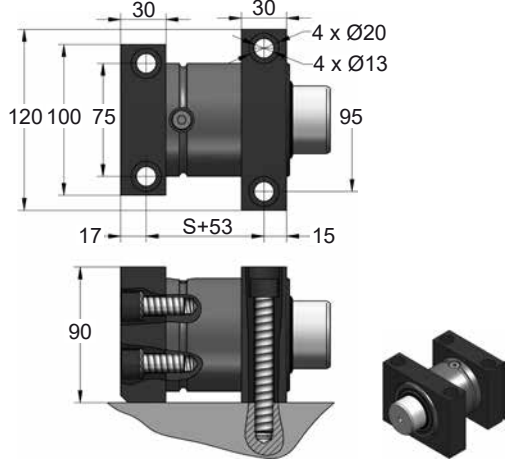


E24.54.815.G  
EM24.54.700F

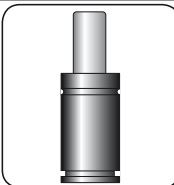
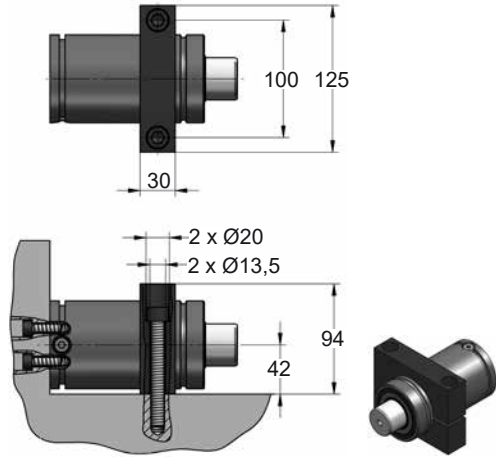


## D47-075

SMS DNH 3203n



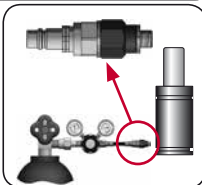
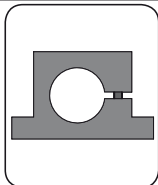
## D67-075



SEAL  
KIT S-XXXXXXX



CARTRIDGE  
KIT C-XXXXXXX

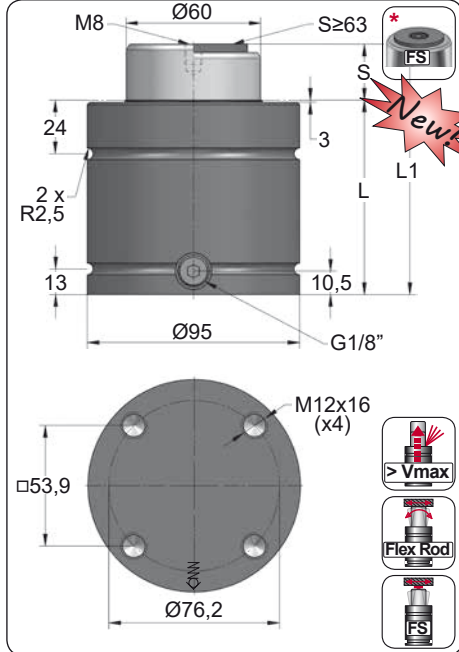


CODE	KT 2400 050	KIT S-XXXXXXX KIT C-XXXXXXX	D02-075	18 CG 1-Q
ENG ORDER	GAS SPRING	REPAIR KIT	FLANGE	CHARGING ADAPTER
DEU BESTELLUNG	GASDRUCKFEDER	ERSATZTEILSATZ	FLANSCHEN	LADEADAPTER
FRA COMMANDE	RESSORT À GAZ	KIT DE RÉPARATION	BRIDE	RACCORD DE CHARGE
ITA ORDINE	CILINDRO AD AZOTO	KIT DI MANUTENZIONE	FLANGE	ADATTATORE DI CARICO
ESP PEDIDO	RESORTE DE GAS	KIT DE REPARACION	BRIDA	ADAPTADOR DE CARGA
POR PEDIDO	CILINDRO DE GÁS	KIT DE MANUTENÇÃO	FLANGE	ADAPTADOR DE CARGA

# KT 4200

Compact Height

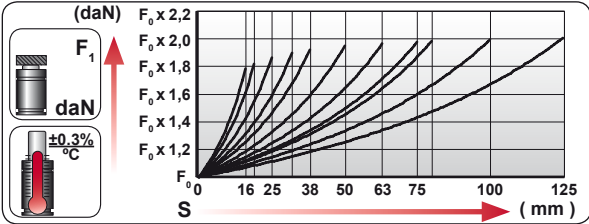
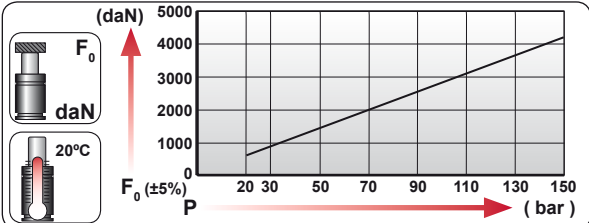
	PSA	E24.54.815.G
	RENAULT	EM24.54.700
TOYOTA	SMS DKH3221n	NISSAN K32R0



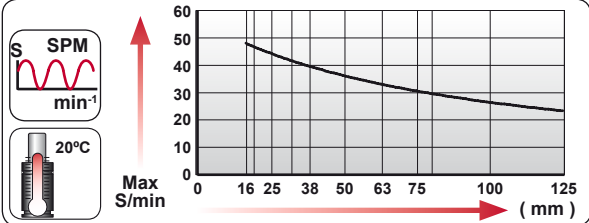
ORDER	S (mm)	L1 ±0.25 (mm)	L (mm)	Kg.
KT 4200 016	16	94	78	3.19
KT 4200 019	19	100	81	3.27
KT 4200 025	25	112	87	3.44
KT 4200 032	32	126	94	3.64
KT 4200 038	38	138	100	3.81
KT 4200 050	50	162	112	4.16
KT 4200 063 *	63	188	125	4.53
KT 4200 075 *	75	212	137	4.87
KT 4200 080 *	80	222	142	5.01
KT 4200 100 *	100	262	162	5.58
KT 4200 125 *	125	312	187	6.29



CODE	Valve Config	Pressure (bar)	Pressure (psi)	F <sub>0</sub> (daN)	F <sub>1</sub> (daN)
KT 4200 050		150	2175	4240	7200
KT-H 4200 050		0	0	---	---



	ENG ORDER		daN		mm
	DEU BESTELLUNG				
	FRA COMMANDE				
	ITA ORDINE				
	ESP PEDIDO				
POR PEDIDO					



N <sub>2</sub>	S <sub>max</sub> < 90%	V <sub>max</sub> 1,6 m/s	P <sub>min</sub> (20°C)	P <sub>max</sub> (20°C)	T <sub>min</sub>	T <sub>max</sub>	600 CP-

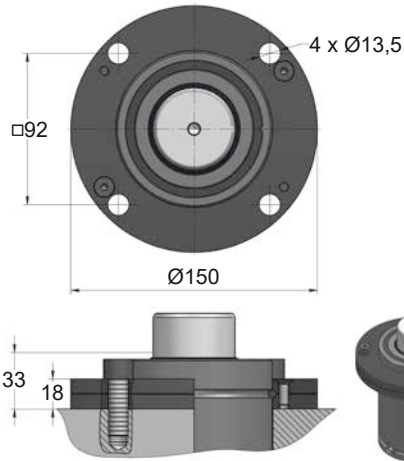
bar	psi	bar	psi	°C	°F	°C	°F
20	290	150	2175	0	32	80	176

# KT 4200 MOUNTS

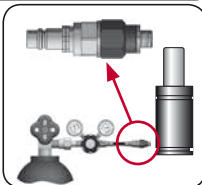
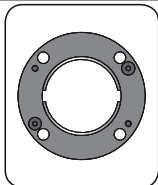
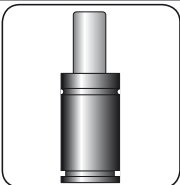
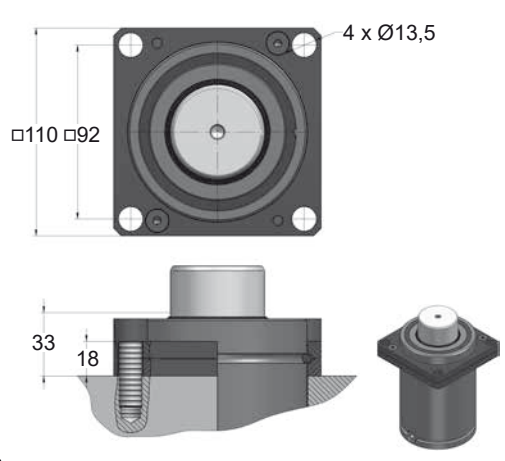
Compact Height

	50	50	50	50	50	50	50	50
	Ø95	Ø95	Ø95	Ø95	Ø95	Ø95	Ø95	Ø95
	L1=158 L1=162 L1=162	L1=170 L1=170	L1=195 L1=205 L1=220	L1=220	L1=215			L1=255
MODEL	<b>X</b>	CW 4200 KZ 4200 KT 4200	<b>X</b>	CK 4000 FD 3000	GN 3000 CM 4000 CD 4200	AG 3000	CP 8000	CS 7500
SERIES	MINI	COMPACT HEIGHT	THREADED	LOW PROFILE	HEAVY DUTY	ISO	HEAVY LOAD	POWER COMPACT STROKE

## A14-095



## A34-095



CODE	KT 4200 050	KIT S-XXXXXXX KIT C-XXXXXXX	A14-095	18 CG 1-Q
ENG ORDER	GAS SPRING	REPAIR KIT	FLANGE	CHARGING ADAPTER
DEU BESTELLUNG	GASDRUCKFEDER	ERSATZTEILSATZ	FLANSCHEN	LADEADAPTER
FRA COMMANDE	RESSORT À GAZ	KIT DE RÉPARATION	BRIDE	RACCORD DE CHARGE
ITA ORDINE	CILINDRO AD AZOTO	KIT DI MANUTENZIONE	FLANGE	ADATTATORE DI CARICO
ESP PEDIDO	RESORTE DE GAS	KIT DE REPARACION	BRIDA	ADAPTADOR DE CARGA
POR PEDIDO	CILINDRO DE GAS	KIT DE MANUTENÇÃO	FLANGE	ADAPTADOR DE CARGA

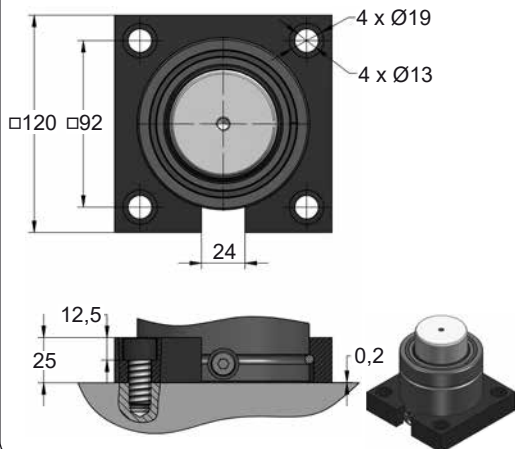
# KT 4200 MOUNTS

Compact Height

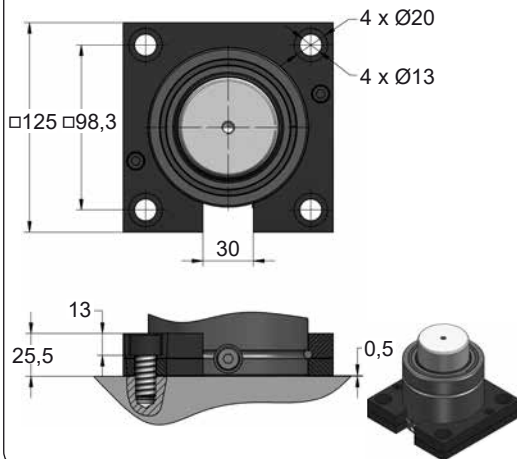
**AZOL**  
**GAS**

## AX9-095

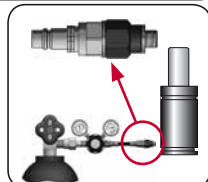
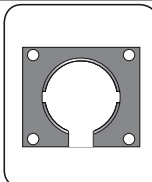
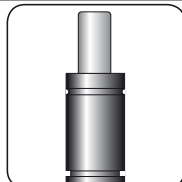
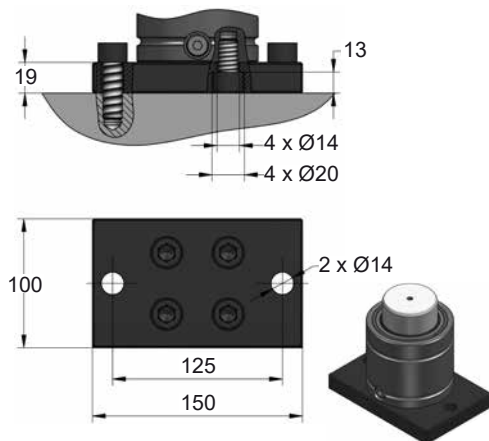
E24.54.815.G



## AY4-095



## B33-095

K32 D2  
EM24.54.700/F

CODE

KT 4200 050

**KIT S-XXXXXXX**  
**KIT C-XXXXXXX**

AX9-095

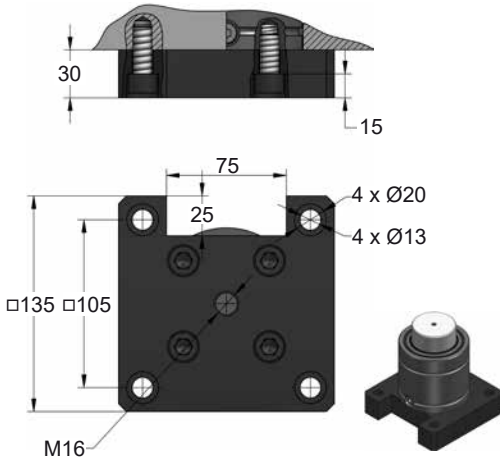
18 CG 1-Q

ENG	ORDER	GAS SPRING	REPAIR KIT	FLANGE	CHARGING ADAPTER
DEU	BESTELLUNG	GASDRUCKFEDER	ERSATZTEILSATZ	FLANSCHEN	LADEADAPTER
FRA	COMMANDE	RESSORT À GAZ	KIT DE RÉPARATION	BRIDE	RACCORD DE CHARGE
ITA	ORDINE	CILINDRO AD AZOTO	KIT DI MANUTENZIONE	FLANGE	ADATTATORE DI CARICO
ESP	PEDIDO	RESORTE DE GAS	KIT DE REPARACION	BRIDA	ADAPTADOR DE CARGA
POR	PEDIDO	CILINDRO DE GÁS	KIT DE MANUTENÇÃO	FLANGE	ADAPTADOR DE CARGA



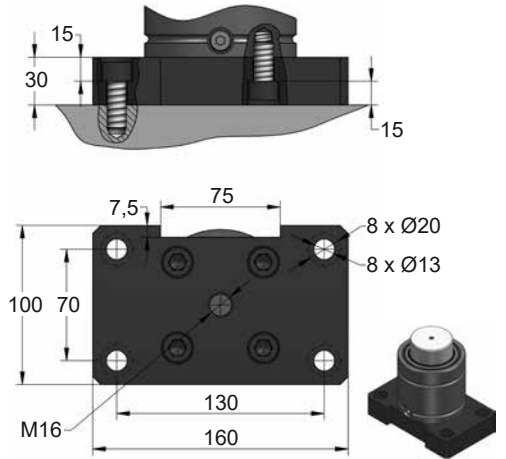
**B56-095**

SMS DKH 3221n



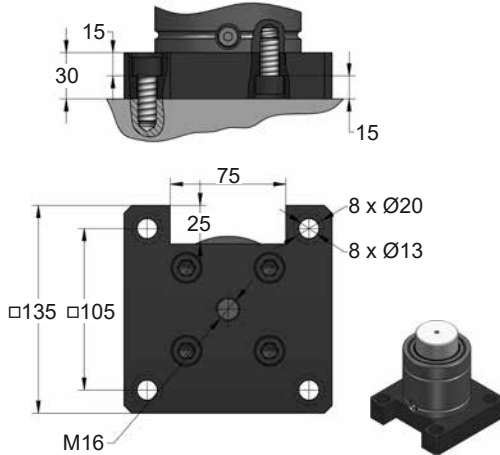
**B61-095**

SMS DKH 3221n



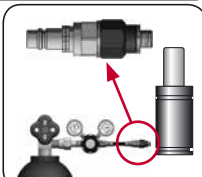
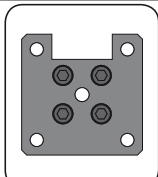
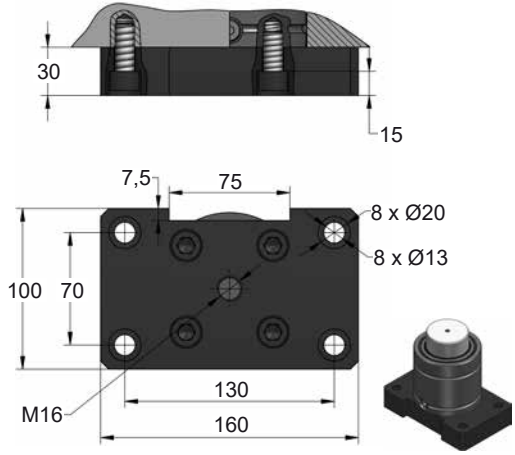
**B66-095**

SMS DKH 3221n



**B71-095**

SMS DKH 3221n



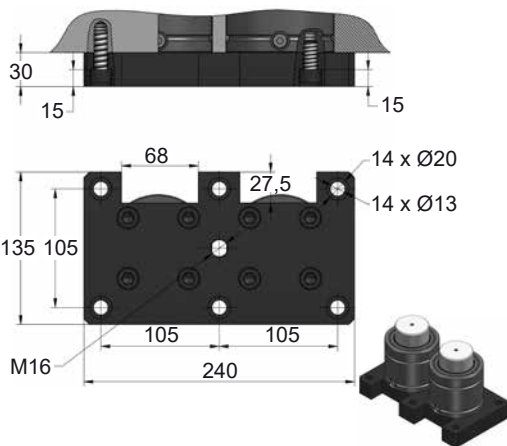
CODE	KT 4200 050	KIT S-XXXXXXX KIT C-XXXXXXX	B56-095	18 CG 1-Q
ENG ORDER	GAS SPRING	REPAIR KIT	FLANGE	CHARGING ADAPTER
DEU BESTELLUNG	GASDRUCKFEDER	ERSATZTEILSATZ	FLANSCH	LADEADAPTER
FRA COMMANDE	RESSORT À GAZ	KIT DE RÉPARATION	BRIDE	RACCORD DE CHARGE
ITA ORDINE	CILINDRO AD AZOTO	KIT DI MANUTENZIONE	FLANGE	ADATTATORE DI CARICO
ESP PEDIDO	RESORTE DE GAS	KIT DE REPARACION	BRIDA	ADAPTADOR DE CARGA
POR PEDIDO	CILINDRO DE GÁS	KIT DE MANUTENÇÃO	FLANGE	ADAPTADOR DE CARGA

# KT 4200 MOUNTS

Compact Height

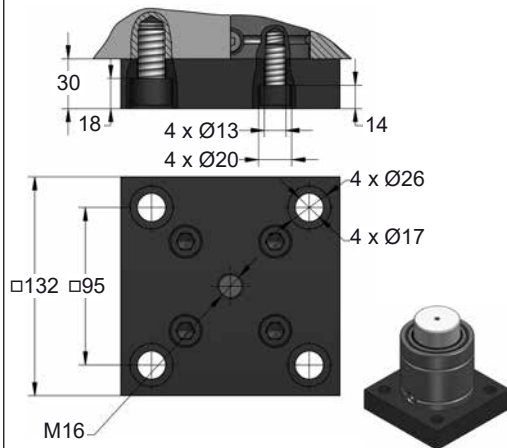
**AZOL  
GAS** 

## B88-095

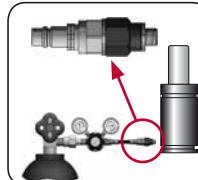
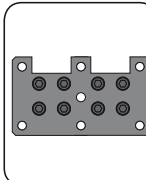
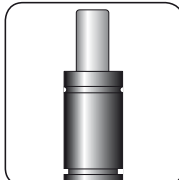
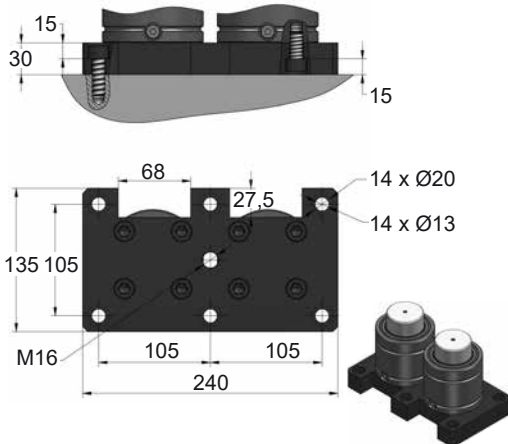


## B91-095

E24.54.815.G



## B93-095



CODE	KT 4200 050	KIT S-XXXXXXX KIT C-XXXXXXX	B88-095	18 CG 1-Q
ENG ORDER	GAS SPRING	REPAIR KIT	FLANGE	CHARGING ADAPTER
DEU BESTELLUNG	GASDRUCKFEDER	ERSATZTEILSATZ	FLANSCHEN	LADEADAPTER
FRA COMMANDE	RESSORT À GAZ	KIT DE RÉPARATION	BRIDE	RACCORD DE CHARGE
ITA ORDINE	CILINDRO AD AZOTO	KIT DI MANUTENZIONE	FLANGE	ADATTATORE DI CARICO
ESP PEDIDO	RESORTE DE GAS	KIT DE REPARACION	BRIDA	ADAPTADOR DE CARGA
POR PEDIDO	CILINDRO DE GAS	KIT DE MANUTENÇÃO	FLANGE	ADAPTADOR DE CARGA



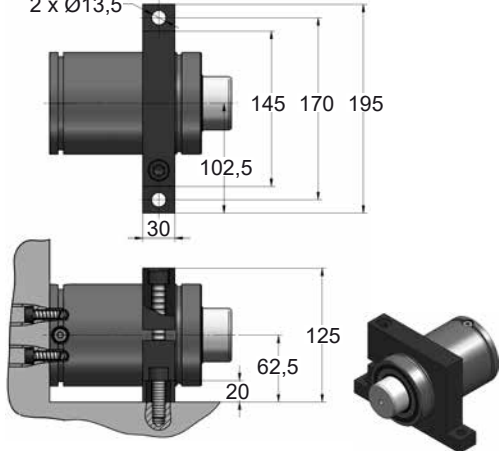
# KT 4200 MOUNTS

Compact Height

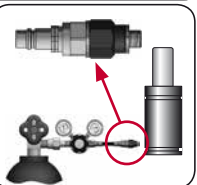
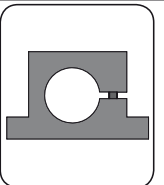
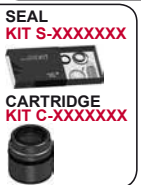
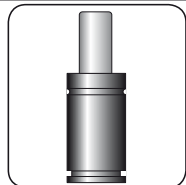
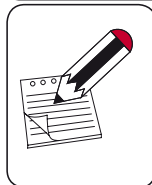
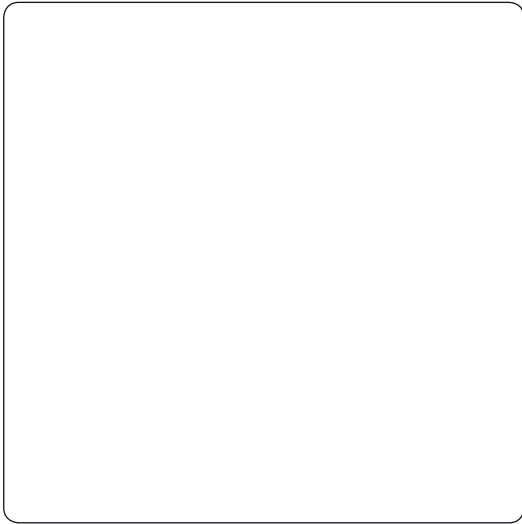
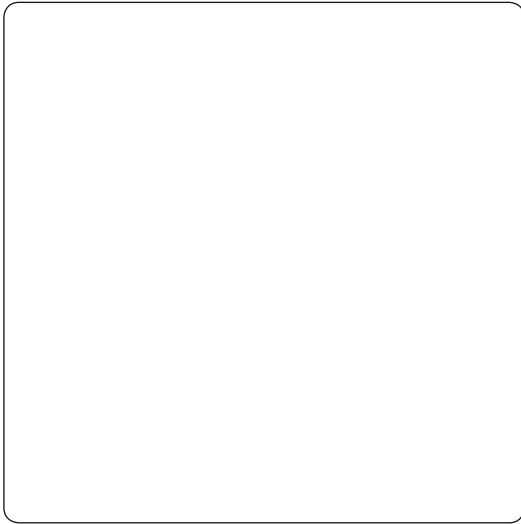
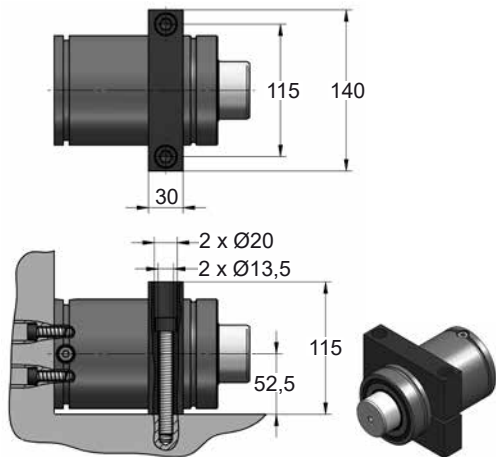


## D02-095

2 x Ø13,5



## D67-095

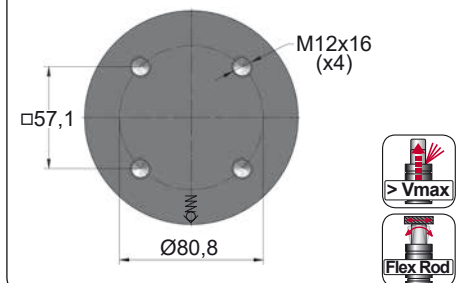
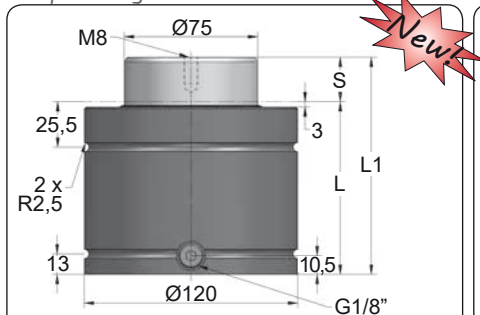


CODE	KT 4200 050	KIT S-XXXXXXX KIT C-XXXXXXX	D02-095	18 CG 1-Q
ENG	ORDER	GAS SPRING	FLANGE	CHARGING ADAPTER
DEU	BESTELLUNG	GASDRUCKFEDER	FLANSCHEN	LADEADAPTER
FRA	COMMANDE	RESSORT À GAZ	BRIDE	RACCORD DE CHARGE
ITA	ORDINE	CILINDRO AD AZOTO	FLANGE	ADATTATORE DI CARICO
ESP	PEDIDO	RESORTE DE GAS	BRIDA	ADAPTADOR DE CARGA
POR	PEDIDO	CILINDRO DE GÁS	FLANGE	ADAPTADOR DE CARGA

# KT 6600

Compact Height

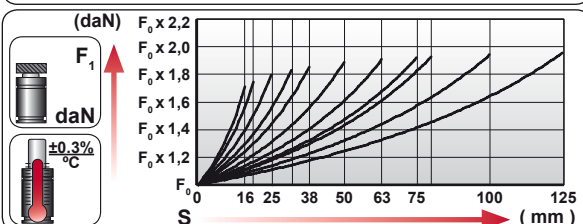
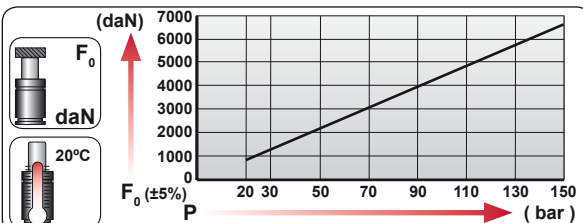
		RENAULT	EM24.54.700
TOYOTA	SMS DKH3221n	NISSAN	K32R0



ORDER	S (mm)	L1 ±0,25 (mm)	L (mm)	Kg.
KT 6600 016	16	104	88	5.89
KT 6600 019	19	110	91	6.03
KT 6600 025	25	122	97	6.31
KT 6600 032	32	136	104	6.63
KT 6600 038	38	148	110	6.91
KT 6600 050	50	172	122	7.47
KT 6600 063	63	198	135	8.07
KT 6600 075	75	222	147	8.63
KT 6600 080	80	232	152	8.86
KT 6600 100	100	272	172	9.79
KT 6600 125	125	322	197	10.95

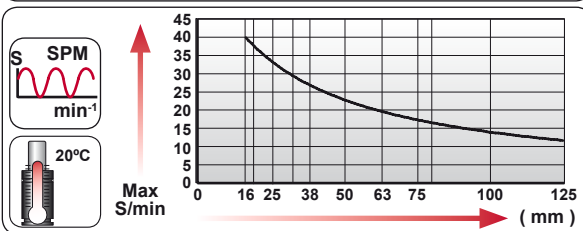


CODE	Pressure	F <sub>0</sub> (daN)	F <sub>1</sub> (daN)
KT 6600 050	150 bar / 2175 psi	6630	10990
KT-H 6600 050	0 bar / 0 psi	---	---



ENG ORDER  
 DEU BESTELLUNG  
 FRA COMMANDE  
 ITA ORDINE  
 ESP PEDIDO  
 POR PEDIDO




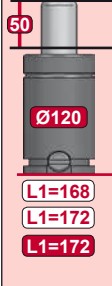


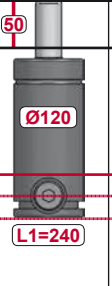
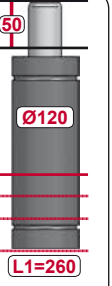


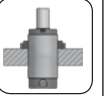





KT 6600 50



N <sub>2</sub>	Smax < 90%	Vmax 1,6 m/s	bar psi	bar psi	°C °F	°C °F	600 CP-
			20 290	150 2175	0 32	80 176	

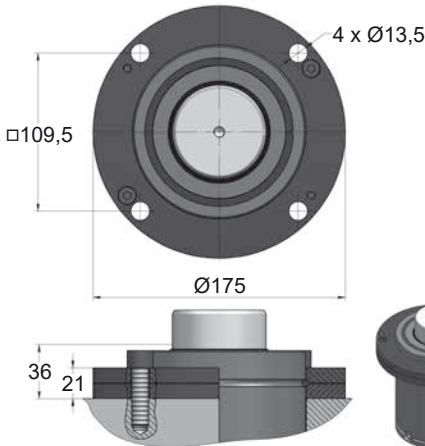
# KT 6600 MOUNTS

Compact Height

								
								
<b>MODEL</b>	<b>X</b> CW 6600 KZ 6600 KT 6600	<b>X</b>	FD 5000	GN 5000 CM 6500 CD 6600	AG 5000	<b>X</b>	CS 11800	
<b>SERIES</b>	MINI 	COMPACT HEIGHT 	THREADED 	LOW PROFILE 	HEAVY DUTY 	ISO 	HEAVY LOAD >Pmax 	POWER COMPACT STROKE <S >F0 

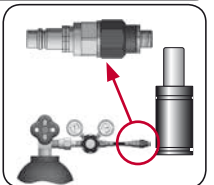
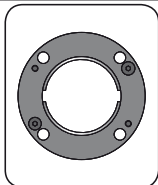
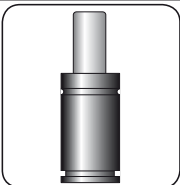
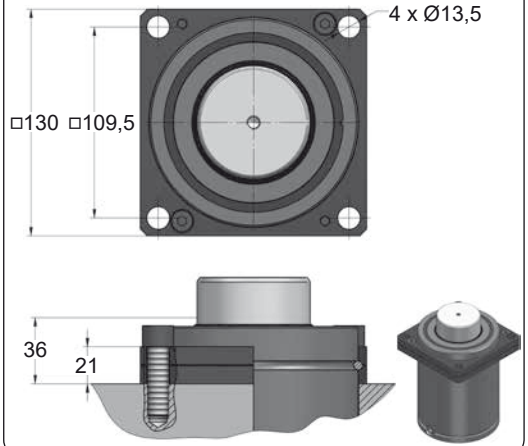
## A14-120

ISO  
WARRANTY  
E24.54.815.G  
EM24.54.700.F



## A34-120

ISO  
VDI



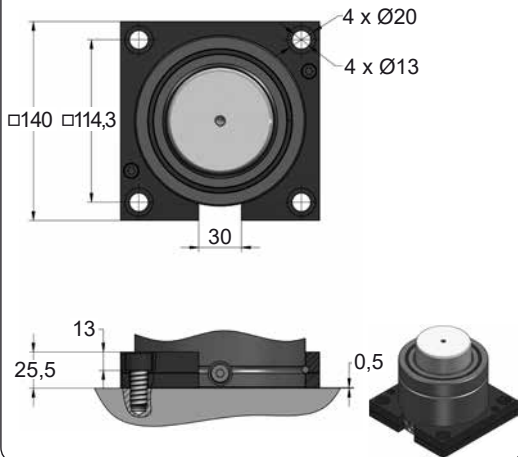
<b>CODE</b>	<b>KT 6600 050</b>	<b>KIT S-XXXXXXX</b> <b>KIT C-XXXXXXX</b>	<b>A14-120</b>	<b>18 CG 1-Q</b>
ENG ORDER	GAS SPRING	REPAIR KIT	FLANGE	CHARGING ADAPTER
DEU BESTELLUNG	GASDRUCKFEDER	ERSATZTEILSATZ	FLANSCHEN	LADEADAPTER
FRA COMMANDE	RESSORT À GAZ	KIT DE RÉPARATION	BRIDE	RACCORD DE CHARGE
ITA ORDINE	CILINDRO AD AZOTO	KIT DI MANUTENZIONE	FLANGE	ADATTATORE DI CARICO
ESP PEDIDO	RESORTE DE GAS	KIT DE REPARACION	BRIDA	ADAPTADOR DE CARGA
POR PEDIDO	CILINDRO DE GÁS	KIT DE MANUTENÇÃO	FLANGE	ADAPTADOR DE CARGA

# KT 6600 MOUNTS

Compact Height

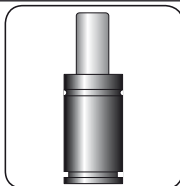
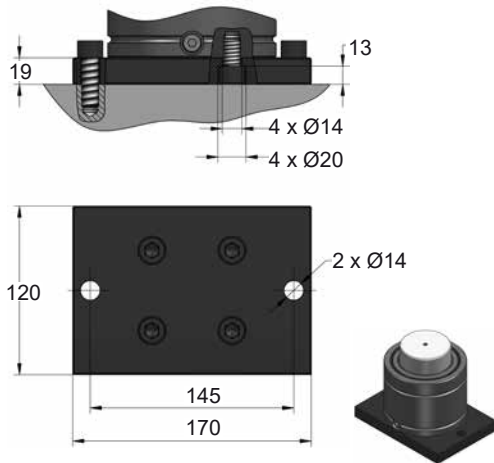


## AY4-120



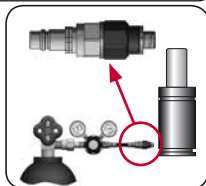
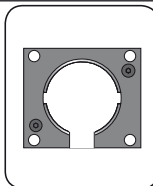
## B33-120

K32 D2  
EM24.54.700/F



**SEAL  
KIT S-XXXXXXX**

**CARTRIDGE  
KIT C-XXXXXXX**



CODE	KT 6600 050	KIT S-XXXXXXX KIT C-XXXXXXX	AY4-120	18 CG 1-Q
ENG ORDER	GAS SPRING	REPAIR KIT	FLANGE	CHARGING ADAPTER
DEU BESTELLUNG	GASDRUCKFEDER	ERSATZTEILSATZ	FLANSCHEN	LADEADAPTER
FRA COMMANDE	RESSORT À GAZ	KIT DE RÉPARATION	BRIDE	RACCORD DE CHARGE
ITA ORDINE	CILINDRO AD AZOTO	KIT DI MANUTENZIONE	FLANGE	ADATTATORE DI CARICO
ESP PEDIDO	RESORTE DE GAS	KIT DE REPARACION	BRIDA	ADAPTADOR DE CARGA
POR PEDIDO	CILINDRO DE GÁS	KIT DE MANUTENÇÃO	FLANGE	ADAPTADOR DE CARGA

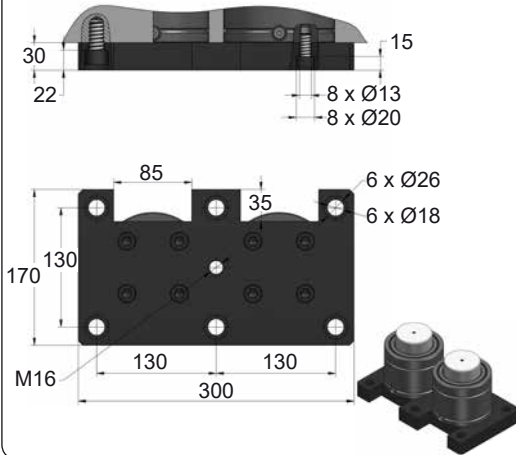


# KT 6600 MOUNTS

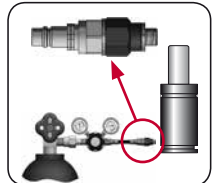
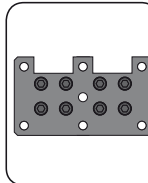
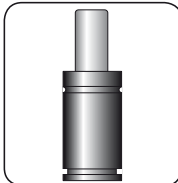
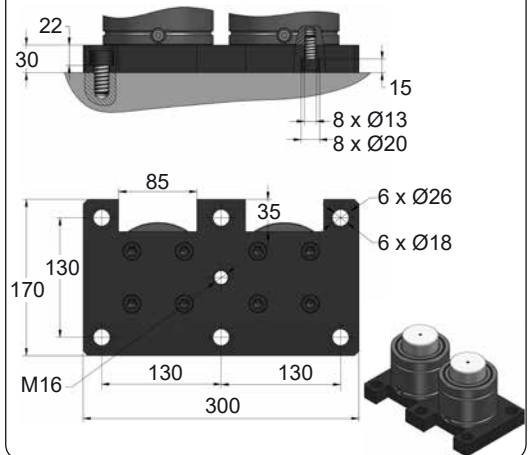
Compact Height

**AZOL**  
**GAS**

## B88-120



## B93-120



CODE	KT 6600 050	KIT S-XXXXXXX KIT C-XXXXXXX	B88-120	18 CG 1-Q
ENG	ORDER	GAS SPRING	FLANGE	CHARGING ADAPTER
DEU	BESTELLUNG	GASDRUCKFEDER	FLANSCHEN	LADEADAPTER
FRA	COMMANDE	RESSORT À GAZ	BRIDE	RACCORD DE CHARGE
ITA	ORDINE	CILINDRO AD AZOTO	FLANGE	ADATTATORE DI CARICO
ESP	PEDIDO	RESORTE DE GAS	BRIDA	ADAPTADOR DE CARGA
POR	PEDIDO	CILINDRO DE GÁS	FLANGE	ADAPTADOR DE CARGA





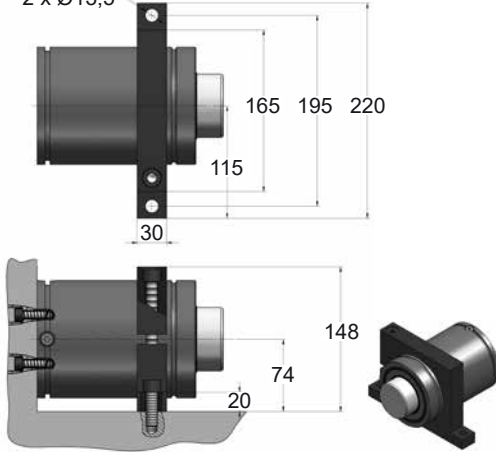
# KT 6600 MOUNTS

Compact Height

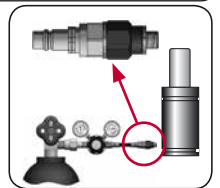
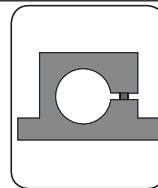
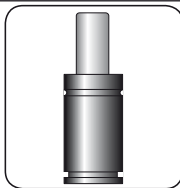
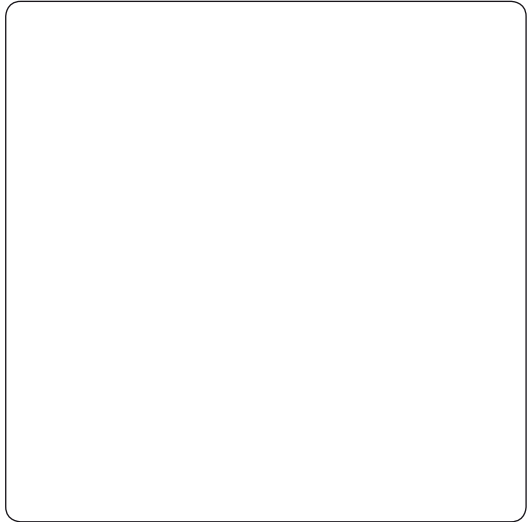
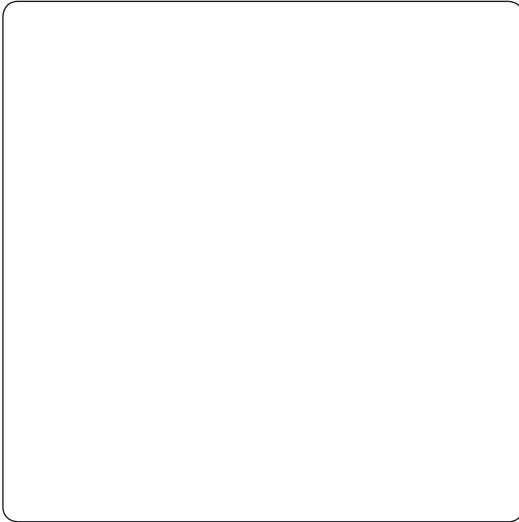
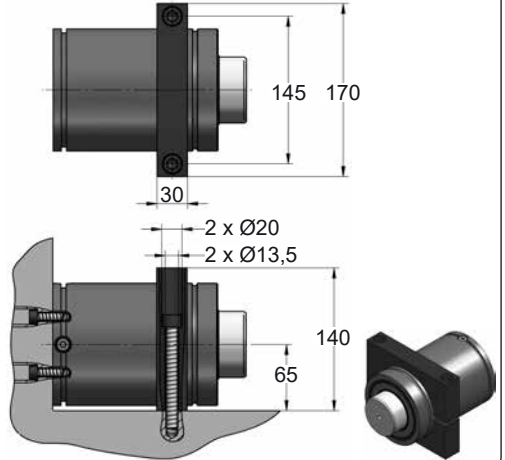


## D02-120

2 x Ø13,5



## D67-120

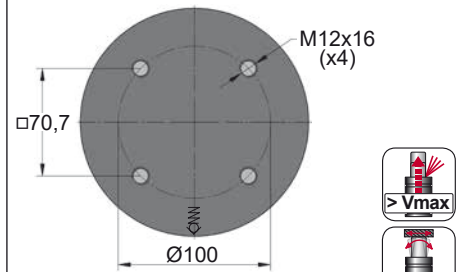
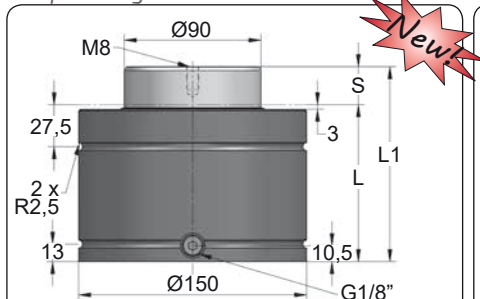


CODE	KT 6600 050	KIT S-XXXXXXX KIT C-XXXXXXX	D02-120	18 CG 1-Q
ENG ORDER	GAS SPRING	REPAIR KIT	FLANGE	CHARGING ADAPTER
DEU BESTELLUNG	GASDRUCKFEDER	ERSATZTEILSATZ	FLANSCHEN	LADEADAPTER
FRA COMMANDE	RESSORT À GAZ	KIT DE RÉPARATION	BRIDE	RACCORD DE CHARGE
ITA ORDINE	CILINDRO AD AZOTO	KIT DI MANUTENZIONE	FLANGE	ADATTATORE DI CARICO
ESP PEDIDO	RESORTE DE GAS	KIT DE REPARACION	BRIDA	ADAPTADOR DE CARGA
POR PEDIDO	CILINDRO DE GÁS	KIT DE MANUTENÇÃO	FLANGE	ADAPTADOR DE CARGA

# KT 9500

Compact Height

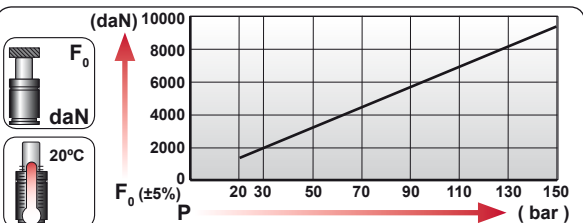
	TOYOTA	SMS DKH3221n



ORDER	S (mm)	L1 ±0,25 (mm)	L (mm)	Kg.
KT 9500 019	19	116	97	11.11
KT 9500 025	25	128	103	11.60
KT 9500 032	32	142	110	12.18
KT 9500 038	38	154	116	12.67
KT 9500 050	50	178	128	13.66
KT 9500 063	63	204	141	14.73
KT 9500 075	75	228	153	15.72
KT 9500 080	80	238	158	16.14
KT 9500 100	100	278	178	17.78
KT 9500 125	125	328	203	19.85

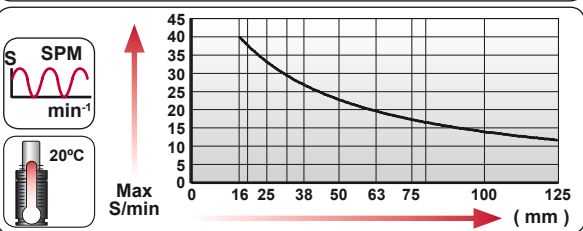
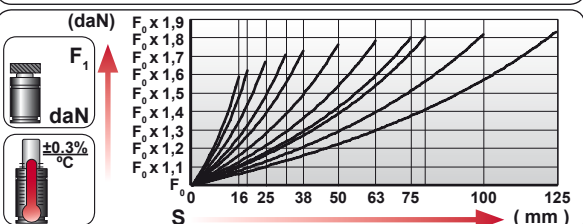


CODE	Pressure	F <sub>0</sub> (daN)	F <sub>1</sub> (daN)
KT 9500 050	150 bar / 2175 psi	9540 daN	16821 daN
KT-H 9500 050	0 bar / 0 psi	---	---



ENG ORDER  
 DEU BESTELLUNG  
 FRA COMMANDE  
 ITA ORDINE  
 ESP PEDIDO  
 POR PEDIDO

KT 9500 50  
 KT 9500 050



N<sub>2</sub>      S<sub>max</sub> < 90%      V<sub>max</sub> 1,6 m/s      P<sub>min</sub> (20°C)      P<sub>max</sub> (20°C)      T<sub>min</sub>      T<sub>max</sub>

N <sub>2</sub>	S <sub>max</sub> < 90%	V <sub>max</sub> 1,6 m/s	bar psi	bar psi	°C °F	°C °F	600 CP-
			20 290	150 2175	0 32	80 176	

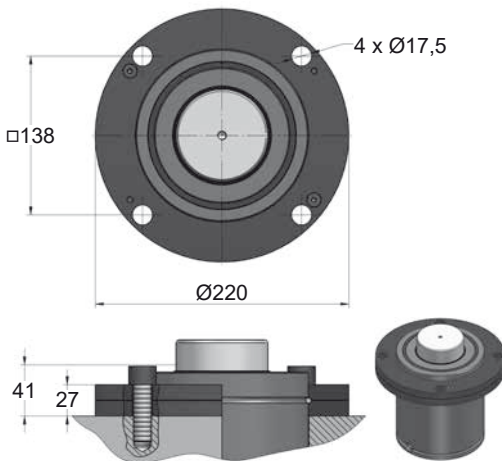


# KT 9500 MOUNTS

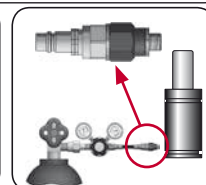
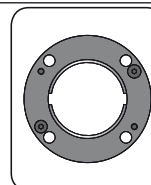
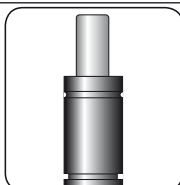
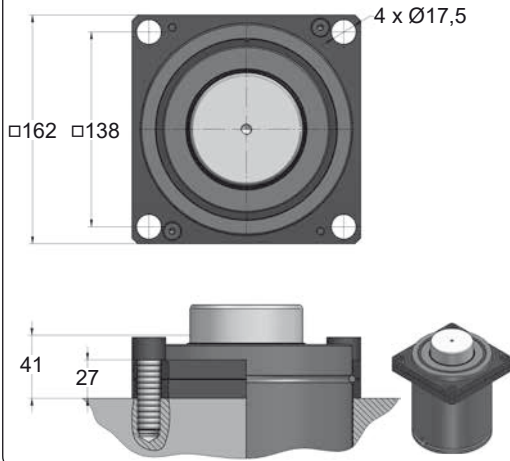
Compact Height

	<b>Ø150</b>	<b>Ø150</b>	<b>Ø150</b>	<b>Ø150</b>	<b>Ø150</b>	<b>Ø150</b>	<b>Ø150</b>	
	<b>L1=178</b>	<b>L1=178</b>	<b>L1=178</b>	<b>L1=205</b>	<b>L1=255</b>	<b>L1=236</b>	<b>L1=255</b>	
<b>MODEL</b>	<b>X</b>	CW 9500 CW 11800 KT 9500	<b>X</b>	<b>X</b>	GN 7500 CM 10000 CD 9600	AG 7500	<b>X</b>	CS 18300
<b>SERIES</b>	MINI	COMPACT HEIGHT	THREADED	LOW PROFILE	HEAVY DUTY	ISO	HEAVY LOAD	POWER COMPACT STROKE

## A14-150



## A34-150



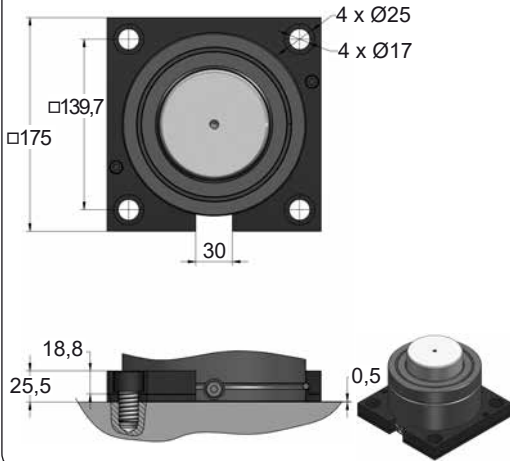
<b>CODE</b>	<b>KT 9500 050</b>	<b>KIT S-XXXXXXX</b> <b>KIT C-XXXXXXX</b>	<b>A14-150</b>	<b>18 CG 1-Q</b>
ENG ORDER	GAS SPRING	REPAIR KIT	FLANGE	CHARGING ADAPTER
DEU BESTELLUNG	GASDRUCKFEDER	ERSATZTEILSATZ	FLANSCHEN	LADEADAPTER
FRA COMMANDE	RESSORT À GAZ	KIT DE RÉPARATION	BRIDE	RACCORD DE CHARGE
ITA ORDINE	CILINDRO AD AZOTO	KIT DI MANUTENZIONE	FLANGE	ADATTATORE DI CARICO
ESP PEDIDO	RESORTE DE GAS	KIT DE REPARACION	BRIDA	ADAPTADOR DE CARGA
POR PEDIDO	CILINDRO DE GÁS	KIT DE MANUTENÇÃO	FLANGE	ADAPTADOR DE CARGA

# KT 9500 MOUNTS

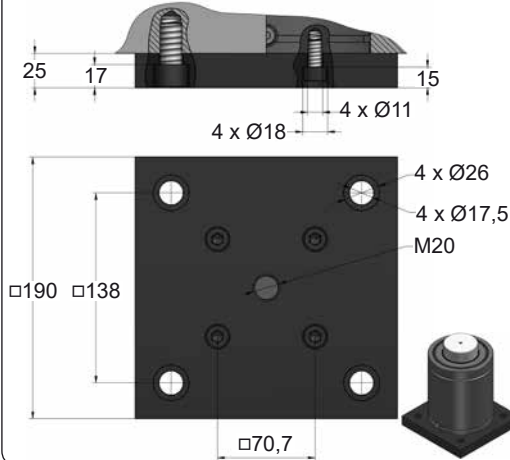
Compact Height

**AZOL**  
**GAS**

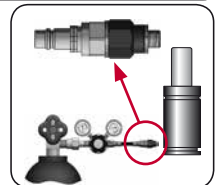
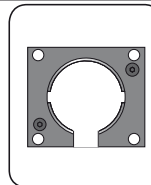
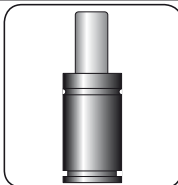
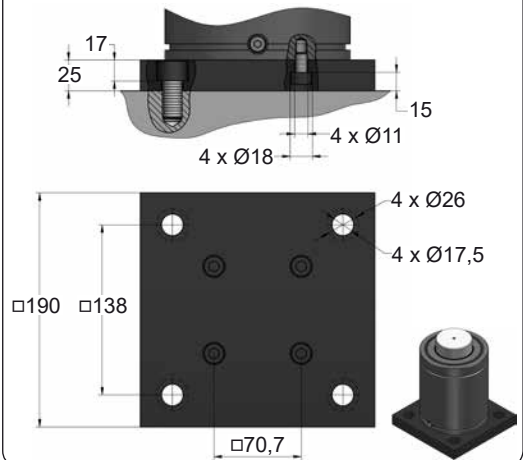
## AY4-150



## B36-150



## B41-150



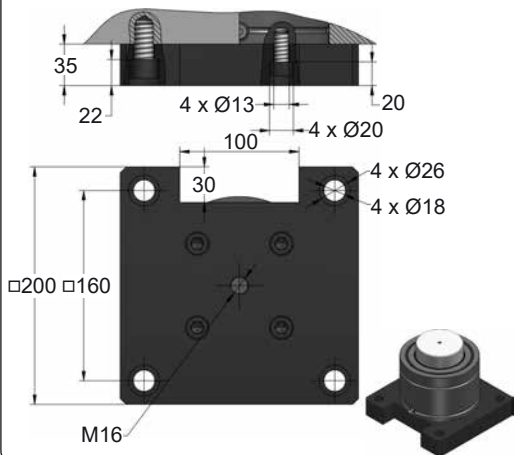
CODE	KT 9500 050	KIT S-XXXXXXX KIT C-XXXXXXX	AY4-150	18 CG 1-Q
ENG ORDER	GAS SPRING	REPAIR KIT	FLANGE	CHARGING ADAPTER
DEU BESTELLUNG	GASDRUCKFEDER	ERSATZTEILSATZ	FLANSCHEN	LADEADAPTER
FRA COMMANDE	RESSORT À GAZ	KIT DE RÉPARATION	BRIDE	RACCORD DE CHARGE
ITA ORDINE	CILINDRO AD AZOTO	KIT DI MANUTENZIONE	FLANGE	ADATTATORE DI CARICO
ESP PEDIDO	RESORTE DE GAS	KIT DE REPARACION	BRIDA	ADAPTADOR DE CARGA
POR PEDIDO	CILINDRO DE GAS	KIT DE MANUTENÇÃO	FLANGE	ADAPTADOR DE CARGA

# KT 9500 MOUNTS

Compact Height

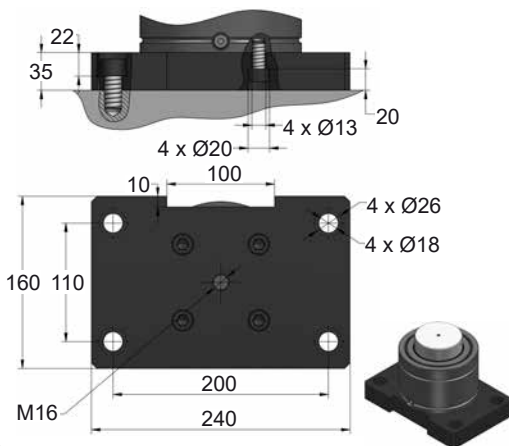
## B56-150

SMS DKH 3221n



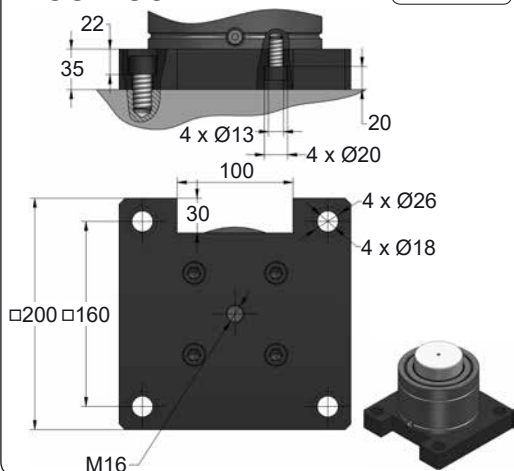
## B61-150

SMS DKH 3221n



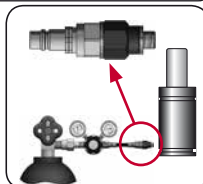
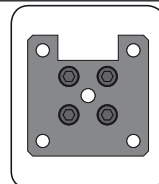
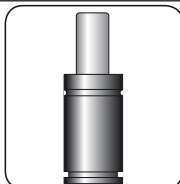
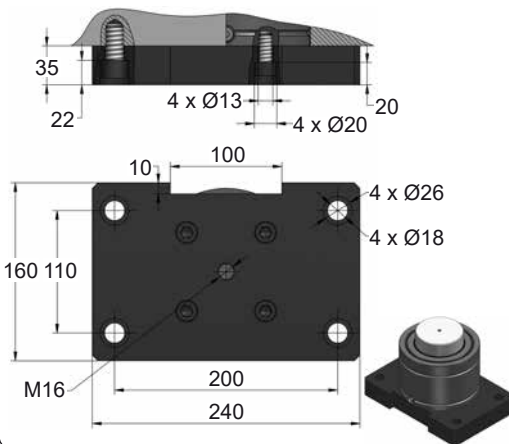
## B66-150

SMS DKH 3221n



## B71-150

SMS DKH 3221n



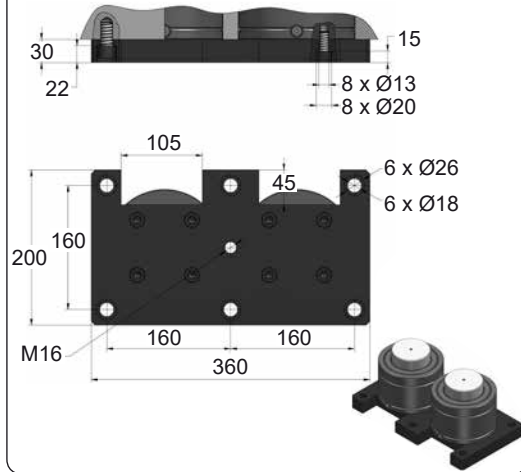
CODE	KT 9500 050	KIT S-XXXXXXX KIT C-XXXXXXX	B56-150	18 CG 1-Q
ENG ORDER	GAS SPRING	REPAIR KIT	FLANGE	CHARGING ADAPTER
DEU BESTELLUNG	GASDRUCKFEDER	ERSATZTEILSATZ	FLANSCHEN	LADEADAPTER
FRA COMMANDE	RESSORT À GAZ	KIT DE RÉPARATION	BRIDE	RACCORD DE CHARGE
ITA ORDINE	CILINDRO AD AZOTO	KIT DI MANUTENZIONE	FLANGE	ADATTATORE DI CARICO
ESP PEDIDO	RESORTE DE GAS	KIT DE REPARACION	BRIDA	ADAPTADOR DE CARGA
POR PEDIDO	CILINDRO DE GÁS	KIT DE MANUTENÇÃO	FLANGE	ADAPTADOR DE CARGA

# KT 9500 MOUNTS

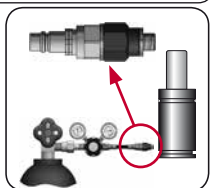
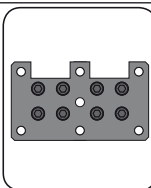
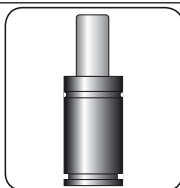
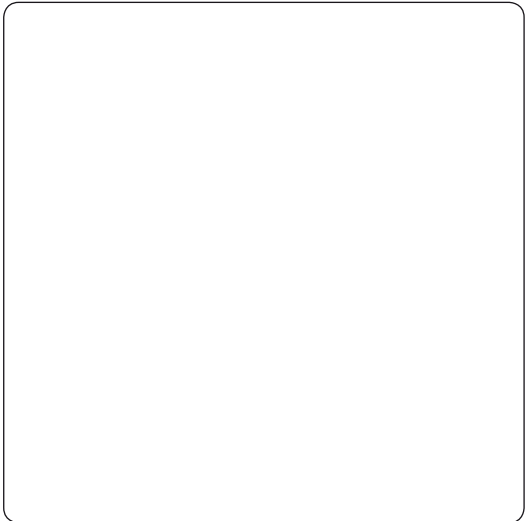
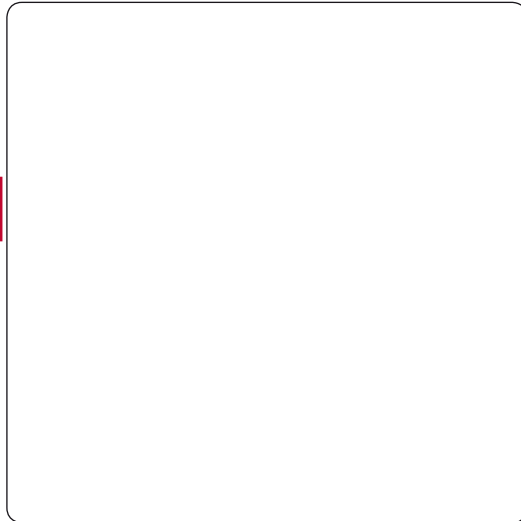
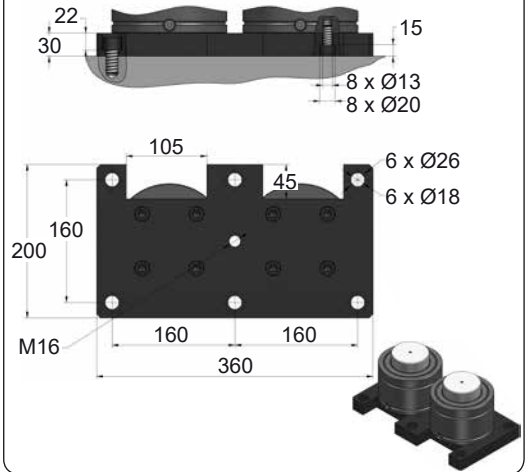
Compact Height



## B88-150



## B93-150

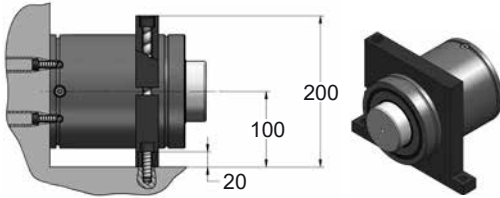
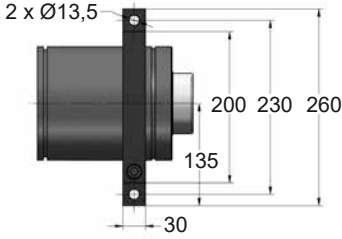


CODE	KT 9500 050	KIT S-XXXXXXX KIT C-XXXXXXX	B88-150	18 CG 1-Q
ENG ORDER	GAS SPRING	REPAIR KIT	FLANGE	CHARGING ADAPTER
DEU BESTELLUNG	GASDRUCKFEDER	ERSATZTEILSATZ	FLANSCHEN	LADEADAPTER
FRA COMMANDE	RESSORT À GAZ	KIT DE RÉPARATION	BRIDE	RACCORD DE CHARGE
ITA ORDINE	CILINDRO AD AZOTO	KIT DI MANUTENZIONE	FLANGE	ADATTATORE DI CARICO
ESP PEDIDO	RESORTE DE GAS	KIT DE REPARACION	BRIDA	ADAPTADOR DE CARGA
POR PEDIDO	CILINDRO DE GÁS	KIT DE MANUTENÇÃO	FLANGE	ADAPTADOR DE CARGA

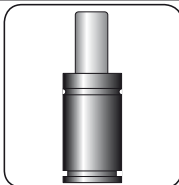
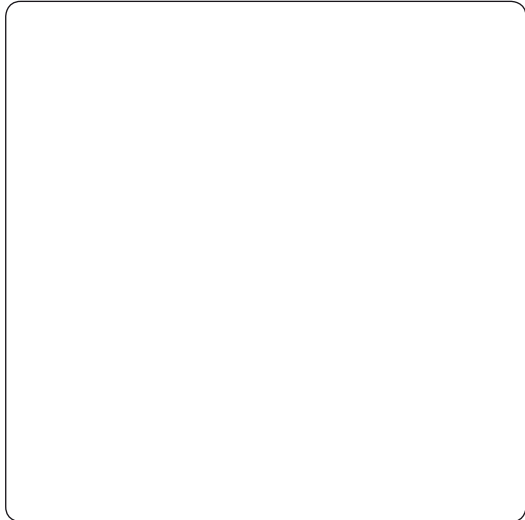
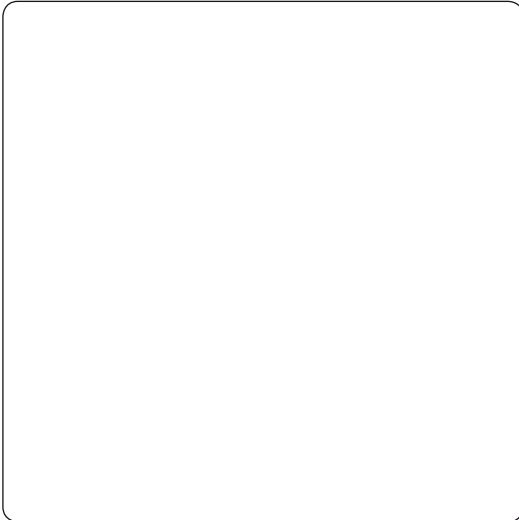
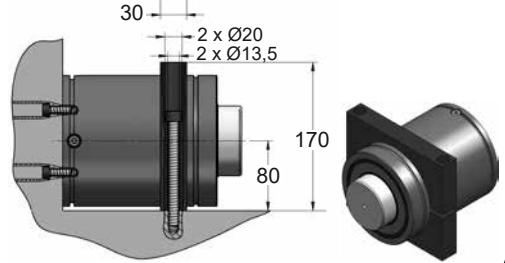
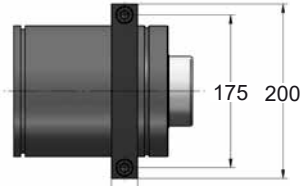
# KT 9500 MOUNTS

Compact Height

## D02-150

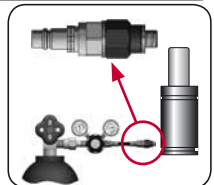
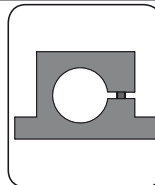


## D67-150



**SEAL**  
KIT S-XXXXXXX

**CARTRIDGE**  
KIT C-XXXXXXX



CODE	KT 9500 050	KIT S-XXXXXXX KIT C-XXXXXXX	D02-150	18 CG 1-Q
ENG ORDER	GAS SPRING	REPAIR KIT	FLANGE	CHARGING ADAPTER
DEU BESTELLUNG	GASDRUCKFEDER	ERSATZTEILSATZ	FLANSCHEN	LADEADAPTER
FRA COMMANDE	RESSORT À GAZ	KIT DE RÉPARATION	BRIDE	RACCORD DE CHARGE
ITA ORDINE	CILINDRO AD AZOTO	KIT DI MANUTENZIONE	FLANGE	ADATTATORE DI CARICO
ESP PEDIDO	RESORTE DE GAS	KIT DE REPARACION	BRIDA	ADAPTADOR DE CARGA
POR PEDIDO	CILINDRO DE GÁS	KIT DE MANUTENÇÃO	FLANGE	ADAPTADOR DE CARGA







# CW COMPACT HEIGHT MEDIUM

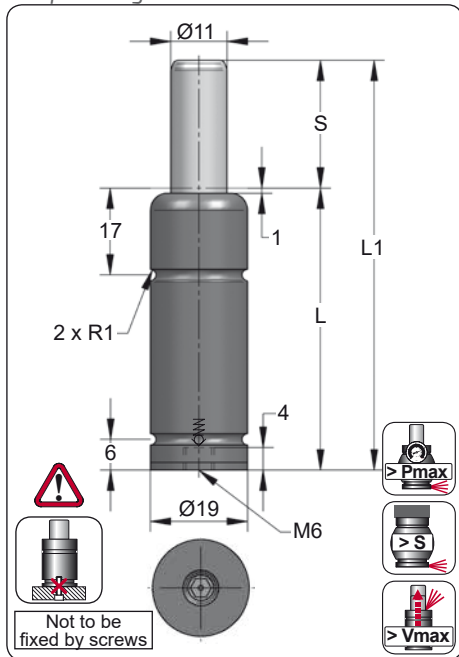
MODEL	F <sub>0</sub>	Ø	S	L1	Pmax	Charge Port		
CW 170 V1	170	Ø19	7 - 125	44 - 285	180	M6	X	X
CW 320 V1	320	Ø25	7 - 125	44 - 285	180	M6	X	X
CW 350 V1	350	Ø32	10 - 125	50 - 280	180	M6	✓	✓
CW 500 V1	500	Ø38	10 - 125	50 - 280	150	M6	✓	✓
CW 750 V1	750	Ø45	10 - 125	52 - 282	150	M6	✓	✓
CWC 750 V2	750	Ø45	10 - 125	62 - 292	150	G1/8"	✓	✓
CW 1000 V2	1000	Ø50	13 - 125	64 - 288	150	M6	✓	✓
CWC 1000 V2	1000	Ø50	13 - 125	74 - 298	150	G1/8"	✓	✓
CW 1500	1500	Ø63	13 - 125	70 - 294	150	M6	✓	✓
CWC 1500	1500	Ø63	13 - 125	80 - 304	150	G1/8"	✓	✓
CW 2400 V1	2400	Ø75	16 - 125	77 - 295	150	M6	✓	✓
CWC 2400 V2	2400	Ø75	16 - 125	87 - 305	150	G1/8"	✓	✓
CW 4200 V1	4200	Ø95	16 - 125	90 - 308	150	G1/8"	✓	✓
CW 6600	6600	Ø120	16 - 125	100 - 318	150	G1/8"	✓	✓
CW 9500	9500	Ø150	19 - 125	116 - 328	150	G1/8"	✓	✓
CW 11800	11800	Ø150	19 - 125	116 - 328	150	G1/8"	✓	✓
CW 20000	20000	Ø195	19 - 125	148 - 360	150	G1/8"	✓	✓

	50	50	50	50	50	50	50	50
	Ø50	Ø50	Ø50	Ø50	Ø50	Ø50	Ø50	Ø50
	L1=138 L1=152 L1=152	L1=138 L1=150 L1=150	L1=170 L1=185 L1=195	L1=195	L1=165 L1=175	L1=220		
	1000 1000 1000	1000 1000 750	750 1000 1000	750	1700 2000	1800		
MODEL	X	CW 1000 KZ 1000 KT 1000	X	CT 1000 CK 1000 FD 750	GN 750 CM 1000 CD 1000	AG 750	CPH 1700 CP 2000	CS 1800
SERIES	MINI	COMPACT HEIGHT	THREADED	LOW PROFILE	HEAVY DUTY	ISO	HEAVY LOAD	POWER COMPACT STROKE

# CW 170 V1

Compact Height

BMW	B2 4005		
MB	B8 3180 220 000 004		
VW	39D 997		

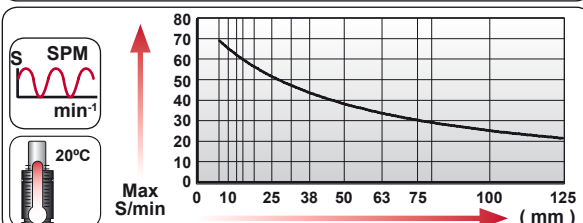
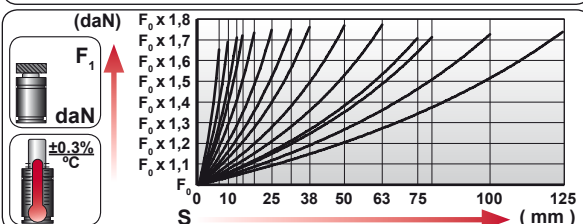
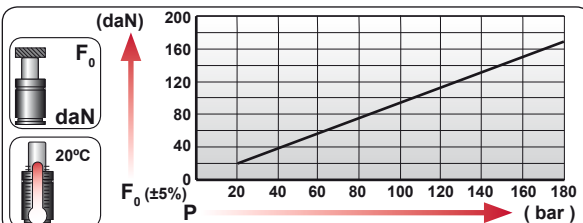


Not to be fixed by screws

ORDER	S (mm)	L1 ±0.25 (mm)	L (mm)	Kg.
CW 170 007 V1	7	44	37	0.07
CW 170 010 V1	10	50	40	0.07
CW 170 013 V1	13	56	43	0.07
CW 170 015 V1	15	60	45	0.08
CW 170 019 V1	19	68	49	0.08
CW 170 025 V1	25	80	55	0.09
CW 170 032 V1	32	94	62	0.09
CW 170 038 V1	38	106	68	0.10
CW 170 050 V1	50	130	80	0.12
CW 170 063 V1	63	156	93	0.14
CW 170 075 V1	75	185	110	0.15
CW 170 080 V1	80	195	115	0.16
CW 170 100 V1	100	235	135	0.18
CW 170 125 V1	125	285	160	0.22



CODE				
	bar	psi	daN	daN
CW 170 050 V1	180	2610	170	340
-----	---	---	---	---



VDI 3003 **EQUIPPED WITH VDI - SAFETY**

	ENG ORDER		
	DEU BESTELLUNG	daN	mm
	FRA COMMANDE		
	ITA ORDINE		
	ESP PEDIDO		
	POR PEDIDO		
<b>CW 170 050 V1</b>	<b>170</b>	<b>50</b>	

N <sub>2</sub>	S <sub>max</sub> < 90%	V <sub>max</sub> 1,6 m/s	P <sub>min</sub> (20°C)	P <sub>max</sub> (20°C)	T <sub>min</sub>	T <sub>max</sub>	

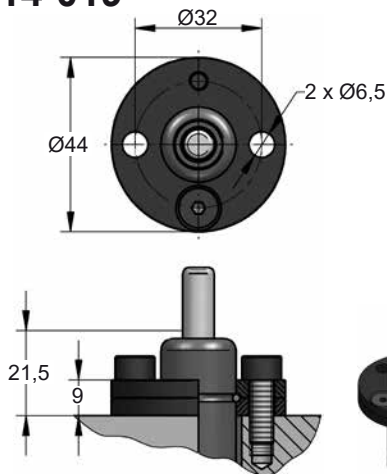
bar	psi	bar	psi	°C	°F	°C	°F	
20	290	180	2610	0	32	80	176	



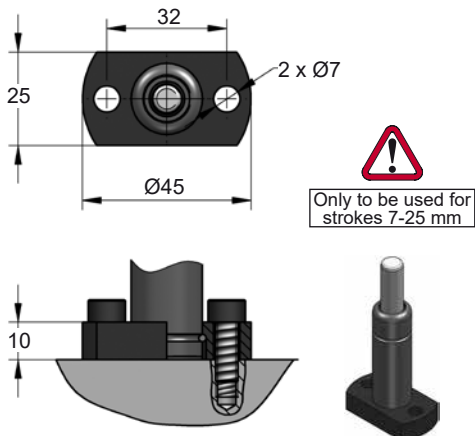
# CW 170 V1 MOUNTS

Compact Height

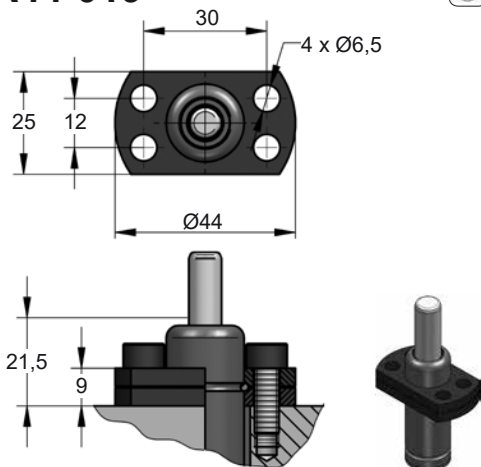
## A14-019



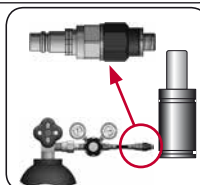
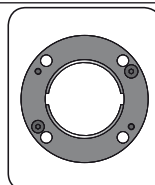
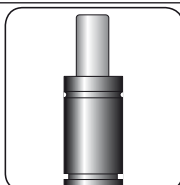
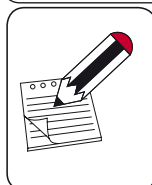
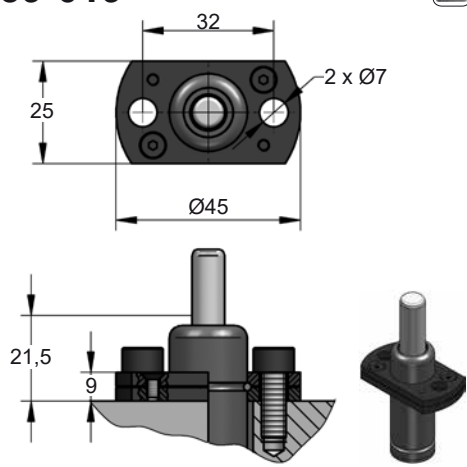
## A19-019



## A44-019



## A59-019

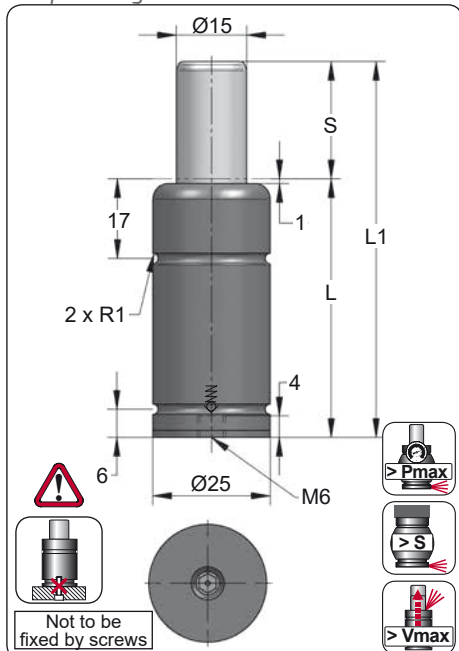


CODE	CW 170 050 V1	<b>X</b>	A14-019	06 CG 2-Q
ENG ORDER	GAS SPRING	REPAIR KIT	FLANGE	CHARGING ADAPTER
DEU BESTELLUNG	GASDRUCKFEDER	ERSATZTEILSATZ	FLANSCHEN	LADEADAPTER
FRA COMMANDE	RESSORT À GAZ	KIT DE RÉPARATION	BRIDE	RACCORD DE CHARGE
ITA ORDINE	CILINDRO AD AZOTO	KIT DI MANUTENZIONE	FLANGE	ADATTATORE DI CARICO
ESP PEDIDO	RESORTE DE GAS	KIT DE REPARACION	BRIDA	ADAPTADOR DE CARGA
POR PEDIDO	CILINDRO DE GÁS	KIT DE MANUTENÇÃO	FLANGE	ADAPTADOR DE CARGA

# CW 320 V1

Compact Height

VW	39D 997		
----	---------	--	--

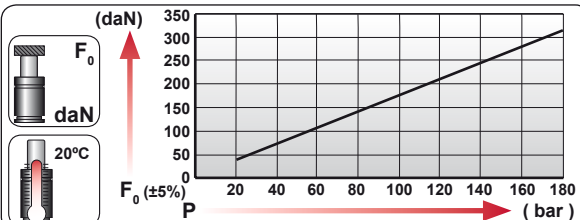


ORDER	S (mm)	L1 ±0.25 (mm)	L (mm)	Kg.
CW 320 007 V1	7	44	37	0.13
CW 320 010 V1	10	50	40	0.14
CW 320 012 V1	12	54	42	0.14
CW 320 015 V1	15	60	45	0.15
CW 320 019 V1	19	68	49	0.16
CW 320 025 V1	25	80	55	0.17
CW 320 032 V1	32	94	62	0.20
CW 320 038 V1	38	106	68	0.23
CW 320 050 V1	50	130	80	0.26
CW 320 063 V1	63	156	93	0.29
CW 320 075 V1	75	185	110	0.30
CW 320 080 V1	80	195	115	0.34
CW 320 100 V1	100	235	135	0.40
CW 320 125 V1	125	285	160	0.46



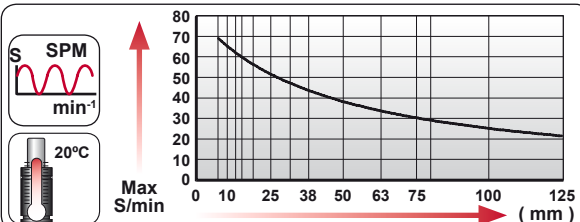
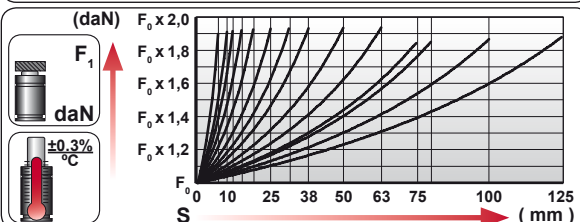
Not to be fixed by screws

CODE				
	bar	psi	daN	daN
CW 320 050 V1	180	2610	320	670
-----	---	---	---	---



**EQUIPPED WITH VDI - SAFETY**

	ENG ORDER		
	DEU BESTELLUNG	daN	mm
	FRA COMMANDE		
	ITA ORDINE		
	ESP PEDIDO		
POR PEDIDO			
<b>CW 320 050 V1</b>	<b>320</b>	<b>50</b>	

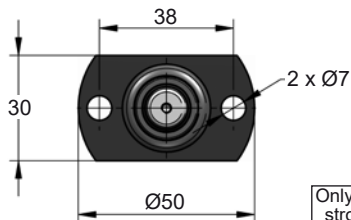


N <sub>2</sub>	S <sub>max</sub> < 90%	V <sub>max</sub> 1,6 m/s	P <sub>min</sub> (20°C)	P <sub>max</sub> (20°C)	T <sub>min</sub>	T <sub>max</sub>	

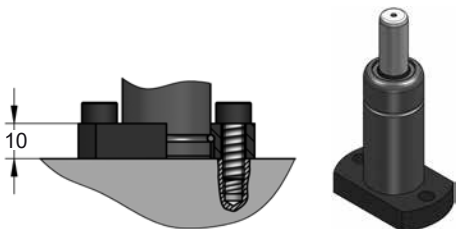
bar	psi	bar	psi	°C	°F	°C	°F	<b>X</b>
20	290	180	2610	0	32	80	176	



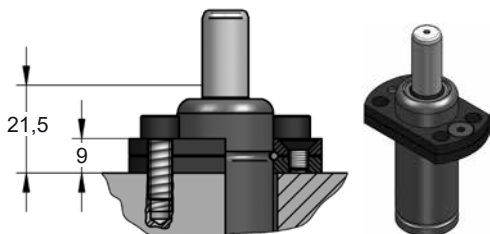
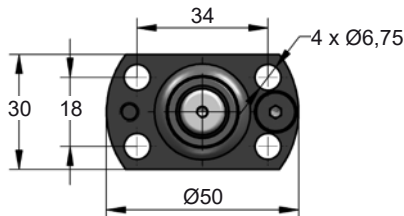
## A19-025



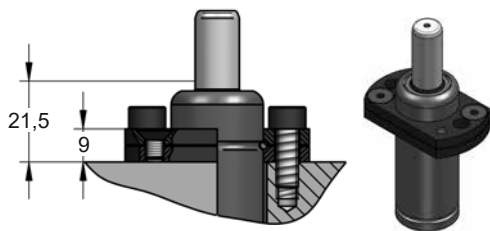
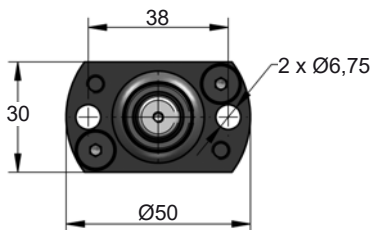
Only to be used for strokes 7-25 mm



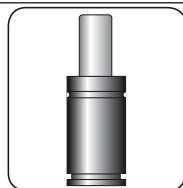
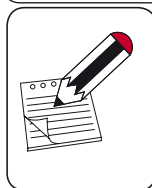
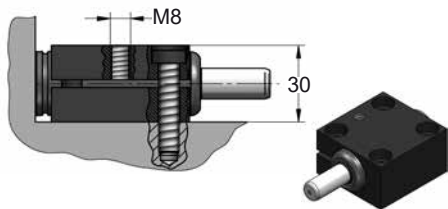
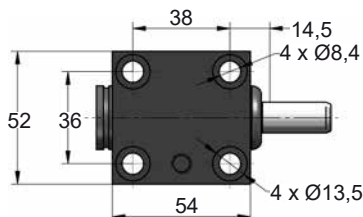
## A44-025



## A49-025



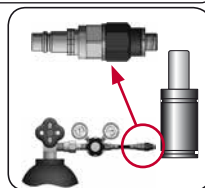
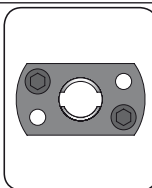
## D02-025



SEAL KIT S-XXXXXXX



CARTRIDGE KIT C-XXXXXXX

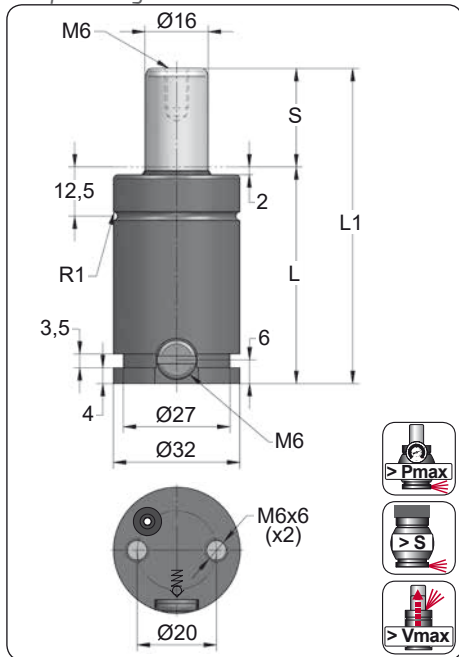


CODE	CW 320 050 V1	<b>X</b>	A19-025	06 CG 2-Q
ENG ORDER	GAS SPRING	REPAIR KIT	FLANGE	CHARGING ADAPTER
DEU BESTELLUNG	GASDRUCKFEDER	ERSATZTEILSATZ	FLANSCHEN	LADEADAPTER
FRA COMMANDE	RESSORT À GAZ	KIT DE RÉPARATION	BRIDE	RACCORD DE CHARGE
ITA ORDINE	CILINDRO AD AZOTO	KIT DI MANUTENZIONE	FLANGE	ADATTATORE DI CARICO
ESP PEDIDO	RESORTE DE GAS	KIT DE REPARACION	BRIDA	ADAPTADOR DE CARGA
POR PEDIDO	CILINDRO DE GAS	KIT DE MANUTENÇÃO	FLANGE	ADAPTADOR DE CARGA

# CW 350 V1

Compact Height

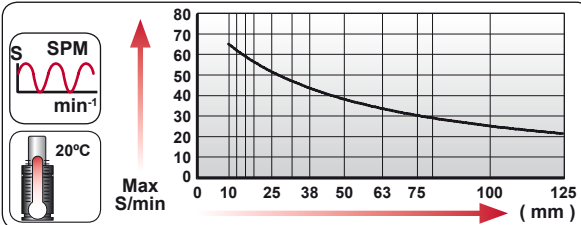
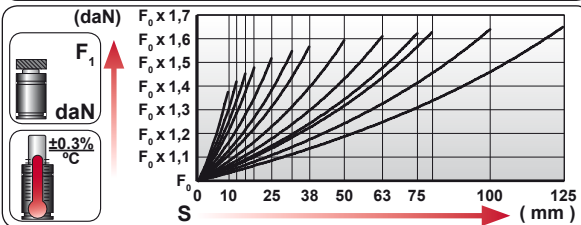
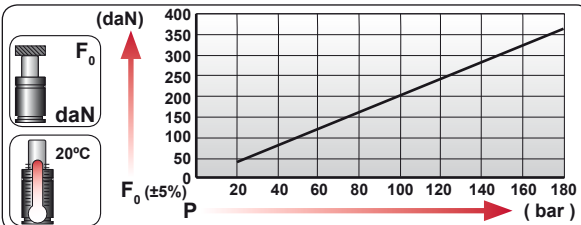
BMW B2 4005	FORD W-DX35-6204	
MB B8 3180 220 000 004	GM 90.25.08	
VW 39D 997		



ORDER	S (mm)	L1 ±0.25 (mm)	L (mm)	Kg.
CW 350 010 V1	10	50	40	0.18
CW 350 013 V1	13	56	43	0.19
CW 350 016 V1	16	62	46	0.20
CW 350 019 V1	19	68	49	0.21
CW 350 025 V1	25	80	55	0.23
CW 350 032 V1	32	94	62	0.26
CW 350 038 V1	38	106	68	0.28
CW 350 050 V1	50	130	80	0.32
CW 350 063 V1	63	156	93	0.36
CW 350 075 V1	75	180	105	0.40
CW 350 080 V1	80	190	110	0.42
CW 350 100 V1	100	230	130	0.49
CW 350 125 V1	125	280	155	0.57



CODE				
	bar	psi	daN	daN
CW 350 050 V1	180	2610	360	575
CW-H 350 050 V1	0	0	---	---



**EQUIPPED WITH VDI - SAFETY**

	ENG ORDER		
	DEU BESTELLUNG	daN	mm
	FRA COMMANDE		
	ITA ORDINE		
	ESP PEDIDO		
POR PEDIDO			

**CW 350 050 V1**     **350**     **50**

N <sub>2</sub>	S <sub>max</sub> < 90%	V <sub>max</sub> 1,6 m/s	P <sub>min</sub> (20°C)	P <sub>max</sub> (20°C)	T <sub>min</sub>	T <sub>max</sub>	600 CP-

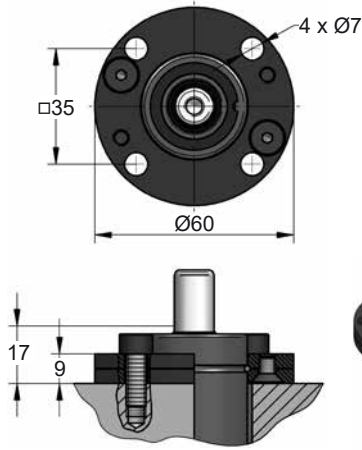
bar	psi	bar	psi	°C	°F	°C	°F
20	290	180	2610	0	32	80	176



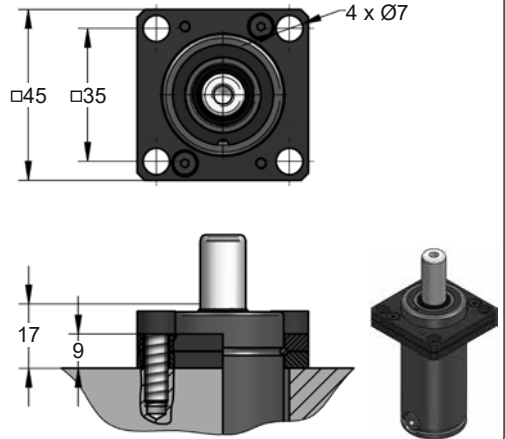
# CW 350 V1 MOUNTS

Compact Height

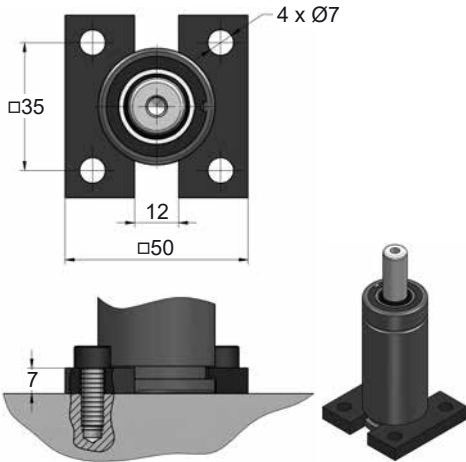
## A14-032



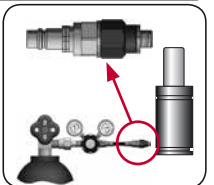
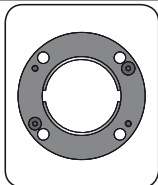
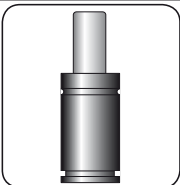
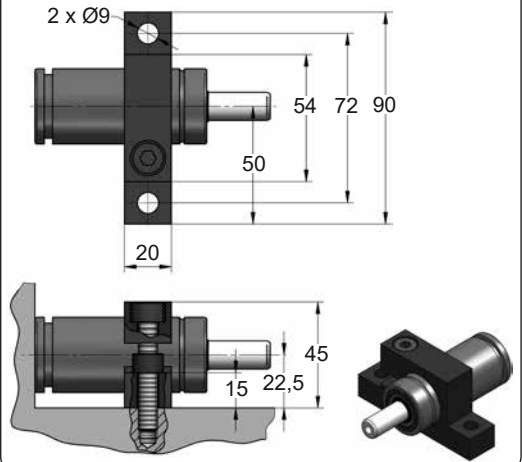
## A34-032



## C20-032



## D02-032

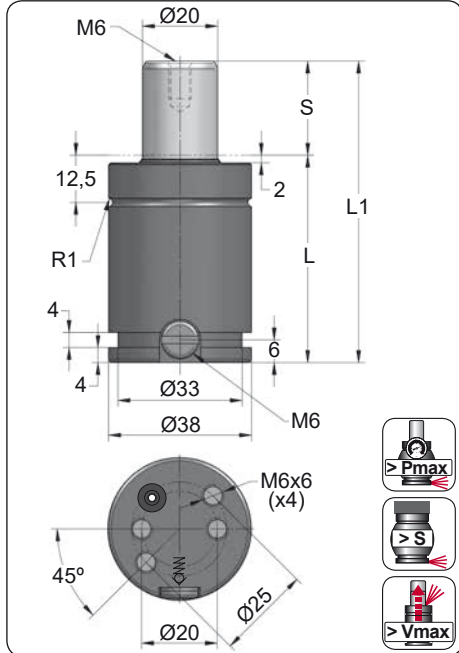


CODE	CW 350 050 V1	KIT S-XXXXXXX KIT C-XXXXXXX	A14-032	06 CG 2-Q
ENG ORDER	GAS SPRING	REPAIR KIT	FLANGE	CHARGING ADAPTER
DEU BESTELLUNG	GASDRUCKFEDER	ERSATZTEILSATZ	FLANSCHEN	LADEADAPTER
FRA COMMANDE	RESSORT À GAZ	KIT DE RÉPARATION	BRIDE	RACCORD DE CHARGE
ITA ORDINE	CILINDRO AD AZOTO	KIT DI MANUTENZIONE	FLANGE	ADATTATORE DI CARICO
ESP PEDIDO	RESORTE DE GAS	KIT DE REPARACION	BRIDA	ADAPTADOR DE CARGA
POR PEDIDO	CILINDRO DE GAS	KIT DE MANUTENÇÃO	FLANGE	ADAPTADOR DE CARGA

# CW 500 V1

Compact Height

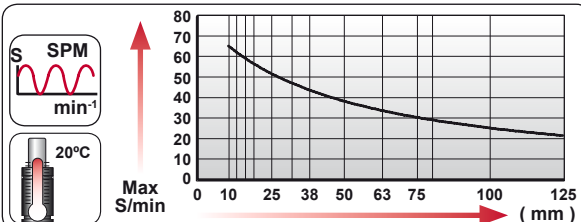
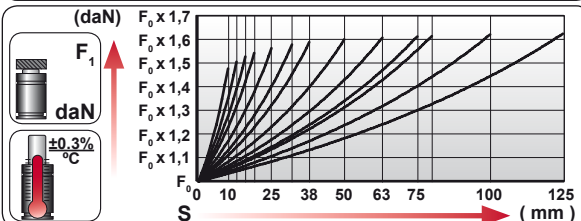
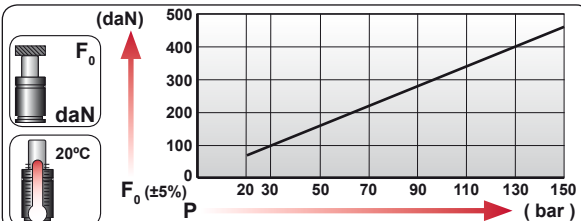
BMW B2 4005	FORD W-DX35-6204	PSA E24.54.815.G
MB B8 3180 220 000 004	GM 90.25.08	
VW 39D 997		



ORDER	S (mm)	L1 ±0.25 (mm)	L (mm)	Kg.
CW 500 010 V1	10	50	40	0.25
CW 500 013 V1	13	56	43	0.26
CW 500 016 V1	16	62	46	0.27
CW 500 019 V1	19	68	49	0.28
CW 500 025 V1	25	80	55	0.31
CW 500 032 V1	32	94	62	0.33
CW 500 038 V1	38	106	68	0.36
CW 500 050 V1	50	130	80	0.41
CW 500 063 V1	63	156	93	0.46
CW 500 075 V1	75	180	105	0.51
CW 500 080 V1	80	190	110	0.53
CW 500 100 V1	100	230	130	0.61
CW 500 125 V1	125	280	155	0.71



CODE	Pressure	F <sub>0</sub> (daN)	F <sub>1</sub> (daN)
CW 500 050 V1	150 bar / 2175 psi	470	750
CW-H 500 050 V1	0 bar / 0 psi	---	---



VDI 3003

↑ ↓ ↻

EQUIPPED WITH VDI - SAFETY

ENG ORDER	DEU BESTELLUNG	FRA COMMANDE	ITA ORDINE	ESP PEDIDO	POR PEDIDO
<b>CW 500 050 V1</b>	<b>500</b>	<b>50</b>			

N<sub>2</sub>

S<sub>max</sub> < 100%

V<sub>max</sub> 1,6 m/s

P<sub>min</sub> (20°C) P<sub>max</sub> (20°C)

T<sub>min</sub> T<sub>max</sub>

600 CP-

N <sub>2</sub>	S <sub>max</sub> < 90%	V <sub>max</sub> 1,6 m/s	bar psi	bar psi	°C °F	°C °F	600 CP-
			20 290	150 2175	0 32	80 176	

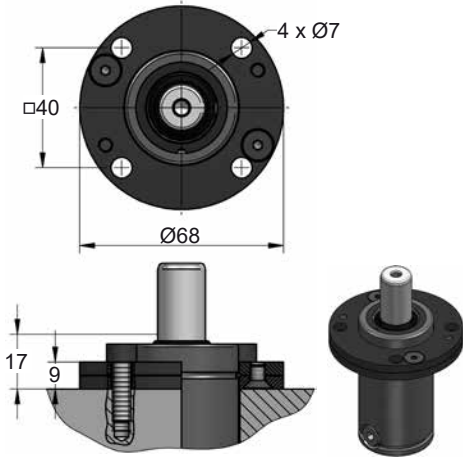




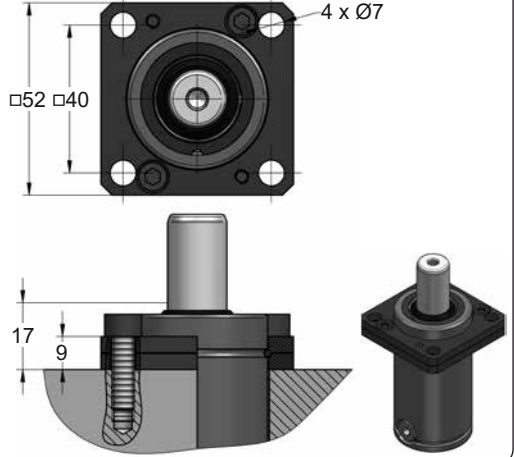
# CW 500 V1 MOUNTS

Compact Height

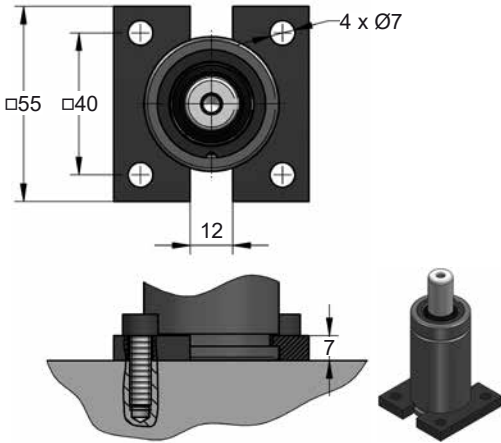
## A14-038



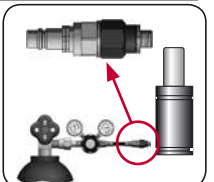
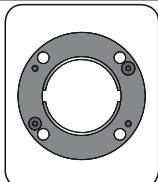
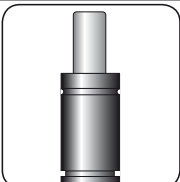
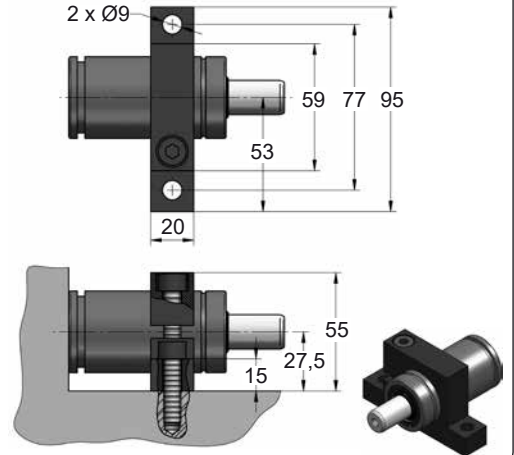
## A34-038



## C20-038



## D02-038

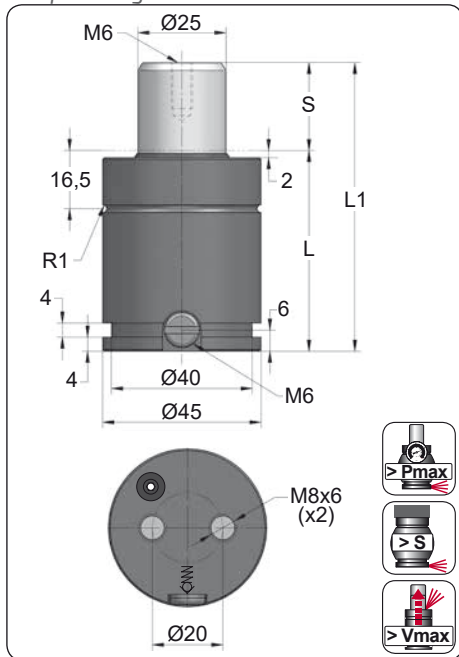


CODE	CW 500 050 V1	KIT S-XXXXXXX KIT C-XXXXXXX	A14-038	06 CG 2-Q
ENG ORDER	GAS SPRING	REPAIR KIT	FLANGE	CHARGING ADAPTER
DEU BESTELLUNG	GASDRUCKFEDER	ERSATZTEILSATZ	FLANSCHEN	LADEADAPTER
FRA COMMANDE	RESSORT À GAZ	KIT DE RÉPARATION	BRIDE	RACCORD DE CHARGE
ITA ORDINE	CILINDRO AD AZOTO	KIT DI MANUTENZIONE	FLANGE	ADATTATORE DI CARICO
ESP PEDIDO	RESORTE DE GAS	KIT DE REPARACION	BRIDA	ADAPTADOR DE CARGA
POR PEDIDO	CILINDRO DE GÁS	KIT DE MANUTENÇÃO	FLANGE	ADAPTADOR DE CARGA

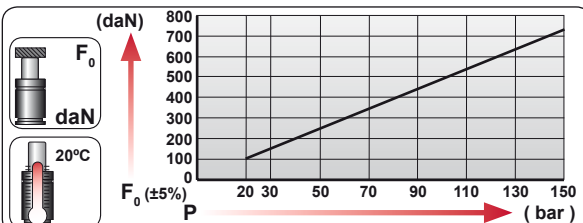
# CW 750 V1

Compact Height

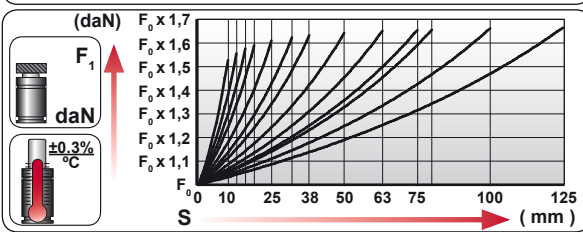
BMW B2 4005	FORD W-DX35-6204	PSA E24.54.815.G
MB B8 3180 220 000 004	GM 90.25.08	
VW 39D 997		



ORDER	S (mm)	L1 ±0.25 (mm)	L (mm)	Kg.
CW 750 010 V1	10	52	42	0.37
CW 750 013 V1	13	58	45	0.39
CW 750 016 V1	16	64	48	0.41
CW 750 019 V1	19	70	51	0.43
CW 750 025 V1	25	82	57	0.47
CW 750 032 V1	32	96	64	0.51
CW 750 038 V1	38	108	70	0.55
CW 750 050 V1	50	132	82	0.62
CW 750 063 V1	63	158	95	0.70
CW 750 075 V1	75	182	107	0.78
CW 750 080 V1	80	192	112	0.81
CW 750 100 V1	100	232	132	0.93
CW 750 125 V1	125	282	157	1.09

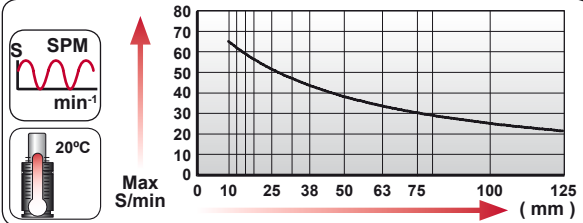


CODE	Pressure (bar)	Pressure (psi)	Force (daN) F0	Force (daN) F1
CW 750 050 V1	150	2175	740	1215
CW-H 750 050 V1	0	0	---	---



**EQUIPPED WITH VDI - SAFETY**

	ENG ORDER		
	DEU BESTELLUNG	750 daN	50 mm
	FRA COMMANDE		
	ITA ORDINE		
	ESP PEDIDO		
POR PEDIDO			



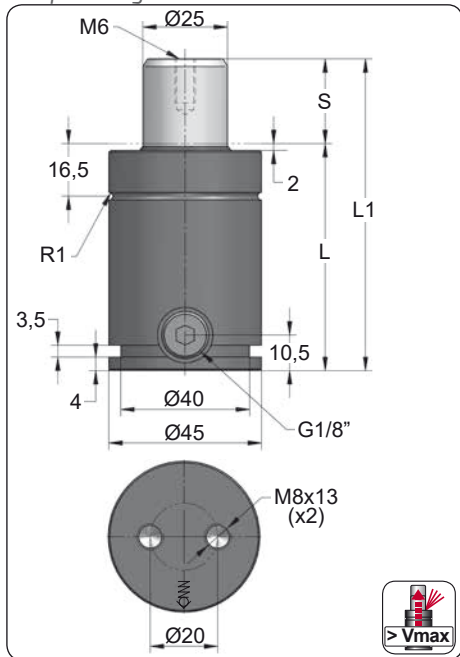
--	--	--	--	--	--	--	--

N <sub>2</sub>	Smax < 90%	Vmax 1,6 m/s	bar psi 20 290	bar psi 150 2175	°C °F 0 32	°C °F 80 176	600 CP-
----------------	------------	--------------	----------------	------------------	------------	--------------	---------



# CWC 750 V2

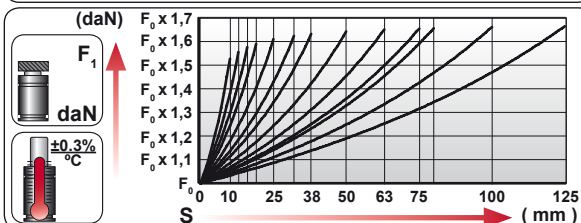
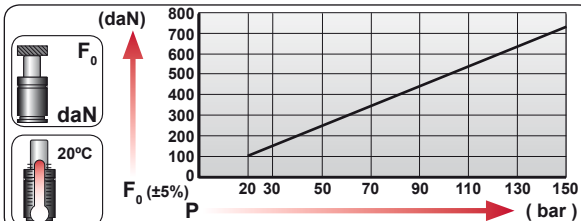
Compact Height



ORDER	S (mm)	L1 ±0,25 (mm)	L (mm)	Kg.
CWC 750 010 V2	10	62	52	0.49
CWC 750 013 V2	13	68	55	0.50
CWC 750 016 V2	16	74	58	0.52
CWC 750 019 V2	19	80	61	0.54
CWC 750 025 V2	25	92	67	0.58
CWC 750 032 V2	32	106	74	0.62
CWC 750 038 V2	38	118	80	0.66
CWC 750 050 V2	50	142	92	0.74
CWC 750 063 V2	63	168	105	0.82
CWC 750 075 V2	75	192	117	0.89
CWC 750 080 V2	80	202	122	0.92
CWC 750 100 V2	100	242	142	1.05
CWC 750 125 V2	125	292	167	1.20



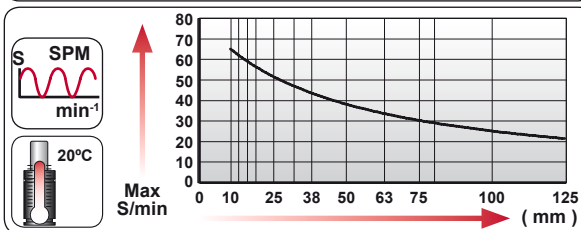
CODE				
	bar	psi	daN	daN
CWC 750 050 V2	150	2175	740	1215
CWC-H 750 050 V2	0	0	---	---



ENG	ORDER
DEU	BESTELLUNG
FRA	COMMANDE
ITA	ORDINE
ESP	PEDIDO
POR	PEDIDO




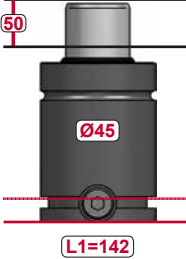
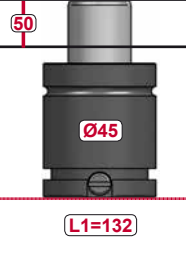
**CWC 750**     **50**













**CWC 750 050 V2**



	$S_{max} < 90\%$	$V_{max} 1,6 \text{ m/s}$	Pmin (20°C)	Pmax (20°C)	Tmin	Tmax	
--	------------------	---------------------------	-------------	-------------	------	------	--

N <sub>2</sub>	S <sub>max</sub> < 90%	V <sub>max</sub> 1,6 m/s	bar psi	bar psi	°C °F	°C °F	600 CP-
			20 290	150 2175	0 32	80 176	

  		
MODEL	CWC 750	CW 750

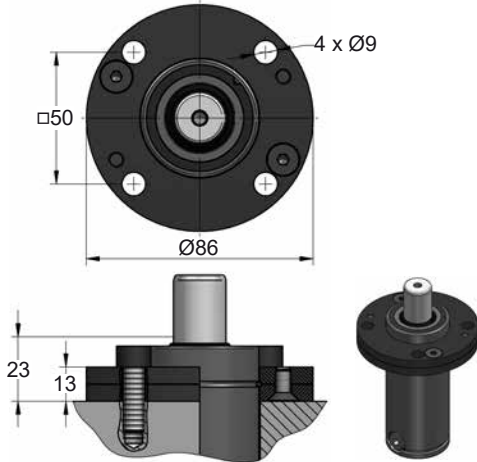
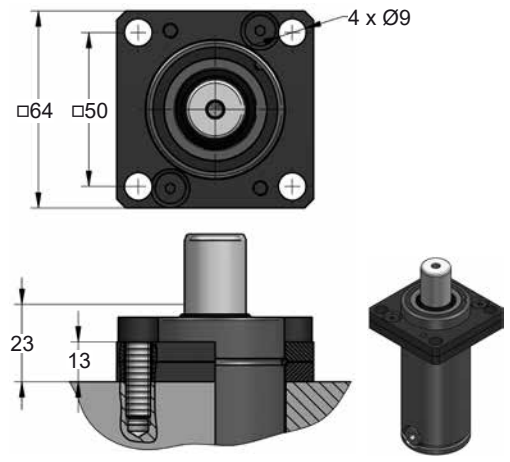
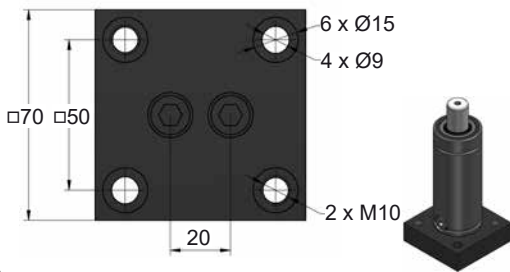
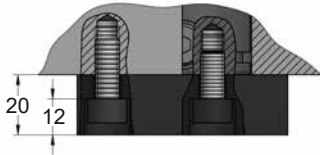
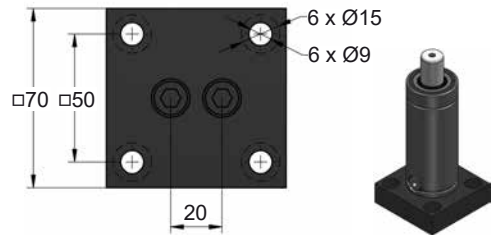
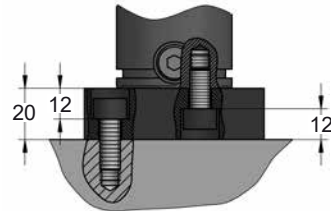
<p><b>CW</b></p>  <p><b>KRM6</b> </p> <p><b>BK</b> </p>	<p><b>CWC</b></p>  <p><b>DRM8</b> </p> <p><b>9RM8</b> </p> <p><b>7RM8</b> </p> <p><b>SKK</b> </p> <p><b>TNRR</b> </p> <p><b>MCRR</b> </p> <p><b>TFRR</b> </p> <p><b>SGS</b> </p>
--	--

		 <p><b>SEAL KIT S-XXXXXXX</b></p>	 <p><b>CARTRIDGE KIT C-XXXXXXX</b></p>		
--	---	--	---	---	--

CODE	CWC 750 050 V2	KIT S-XXXXXXX KIT C-XXXXXXX	A14-045	18 CG 1-Q
ENG ORDER	GAS SPRING	REPAIR KIT	FLANGE	CHARGING ADAPTER
DEU BESTELLUNG	GASDRUCKFEDER	ERSATZTEILSATZ	FLANSCHEN	LADEADAPTER
FRA COMMANDE	RESSORT À GAZ	KIT DE RÉPARATION	BRIDE	RACCORD DE CHARGE
ITA ORDINE	CILINDRO AD AZOTO	KIT DI MANUTENZIONE	FLANGE	ADATTATORE DI CARICO
ESP PEDIDO	RESORTE DE GAS	KIT DE REPARACION	BRIDA	ADAPTADOR DE CARGA
POR PEDIDO	CILINDRO DE GAS	KIT DE MANUTENÇÃO	FLANGE	ADAPTADOR DE CARGA

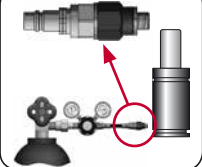
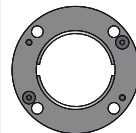
**CW 750 V1/CWC 750 V2 MOUNTS****AZOL  
GAS**

Compact Height

**A14-045**E24.54.815.G  
EM24.54.700F**A34-045****B36-045****B41-045**

**SEAL  
KIT S-XXXXXXX**

**CARTRIDGE  
KIT C-XXXXXXX**



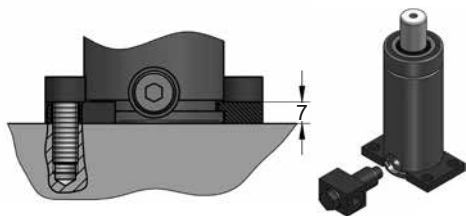
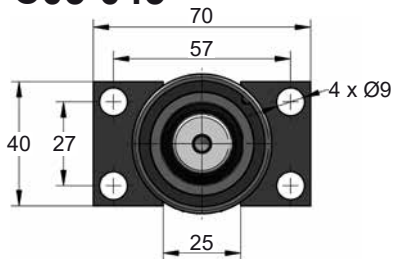
CODE	CWC 750 050 V2	KIT S-XXXXXXX KIT C-XXXXXXX	A14-045	18 CG 1-Q
ENG ORDER	GAS SPRING	REPAIR KIT	FLANGE	CHARGING ADAPTER
DEU BESTELLUNG	GASDRUCKFEDER	ERSATZTEILSATZ	FLANSCHEN	LADEADAPTER
FRA COMMANDE	RESSORT À GAZ	KIT DE RÉPARATION	BRIDE	RACCORD DE CHARGE
ITA ORDINE	CILINDRO AD AZOTO	KIT DI MANUTENZIONE	FLANGE	ADATTATORE DI CARICO
ESP PEDIDO	RESORTE DE GAS	KIT DE REPARACION	BRIDA	ADAPTADOR DE CARGA
POR PEDIDO	CILINDRO DE GAS	KIT DE MANUTENÇÃO	FLANGE	ADAPTADOR DE CARGA



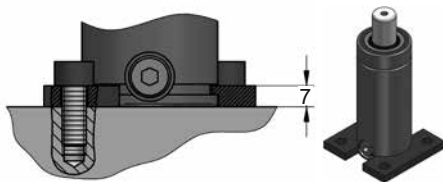
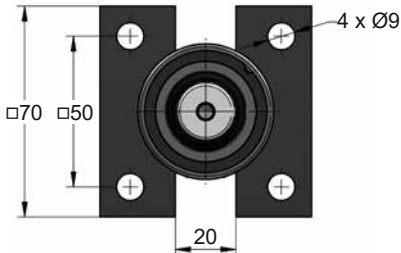
# CW 750 V1/CWC 750 V2 MOUNTS

Compact Height

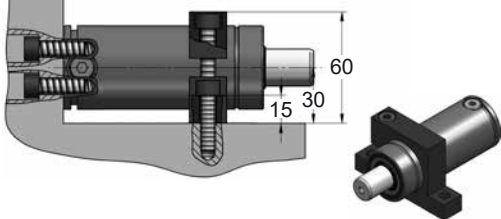
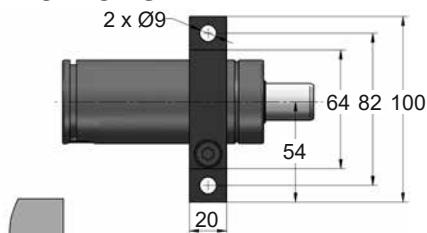
## C05-045



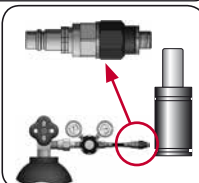
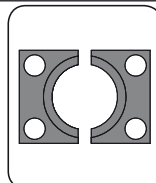
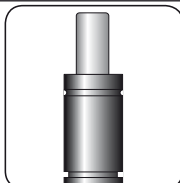
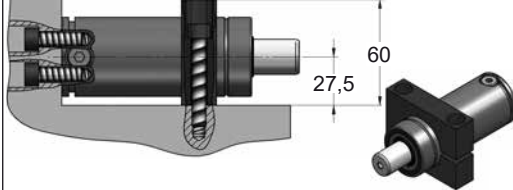
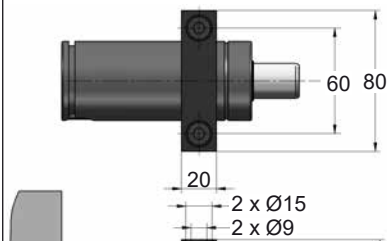
## C20-045



## D02-045



## D67-045

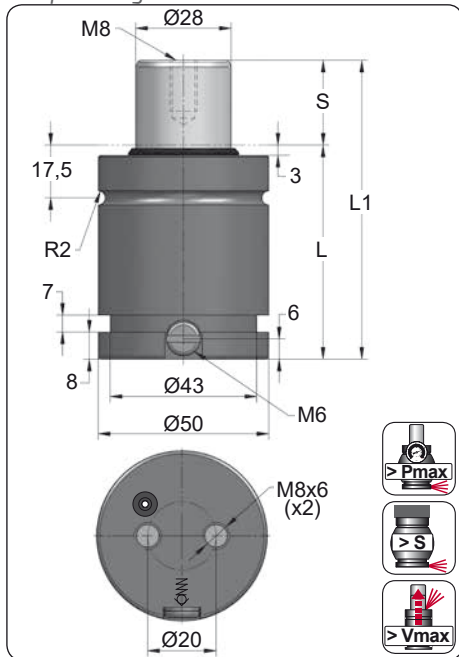


CODE	CWC 750 050 V2	KIT S-XXXXXXX KIT C-XXXXXXX	C05-045	18 CG 1-Q
ENG ORDER	GAS SPRING	REPAIR KIT	FLANGE	CHARGING ADAPTER
DEU BESTELLUNG	GASDRUCKFEDER	ERSATZTEILSATZ	FLANSCHEN	LADEADAPTER
FRA COMMANDE	RESSORT À GAZ	KIT DE RÉPARATION	BRIDE	RACCORD DE CHARGE
ITA ORDINE	CILINDRO AD AZOTO	KIT DI MANUTENZIONE	FLANGE	ADATTATORE DI CARICO
ESP PEDIDO	RESORTE DE GAS	KIT DE REPARACION	BRIDA	ADAPTADOR DE CARGA
POR PEDIDO	CILINDRO DE GAS	KIT DE MANUTENÇÃO	FLANGE	ADAPTADOR DE CARGA

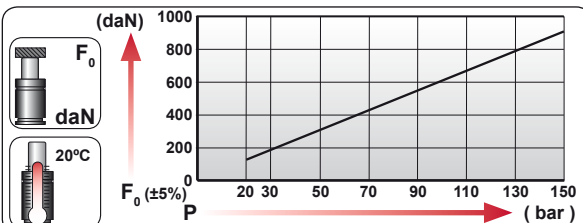
# CW 1000 V2

Compact Height

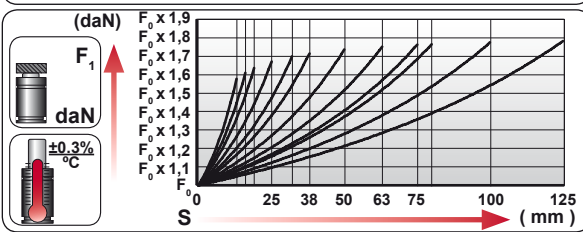
BMW B2 4005	FORD W-DX35-6204	PSA E24.54.815.G
MB B8 3180 220 000 004	GM 90.25.08	
VW 39D 997		



ORDER	S (mm)	L1 ±0.25 (mm)	L (mm)	Kg.
CW 1000 013 V2	13	64	51	0.55
CW 1000 016 V2	16	70	54	0.57
CW 1000 019 V2	19	76	57	0.60
CW 1000 025 V2	25	88	63	0.65
CW 1000 032 V2	32	102	70	0.70
CW 1000 038 V2	38	114	76	0.75
CW 1000 050 V2	50	138	88	0.86
CW 1000 063 V2	63	164	101	0.96
CW 1000 075 V2	75	188	113	1.06
CW 1000 080 V2	80	198	118	1.11
CW 1000 100 V2	100	238	138	1.27
CW 1000 125 V2	125	288	163	1.48

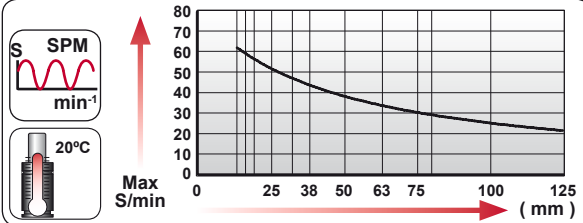


CODE	bar	psi	F <sub>0</sub> daN	F <sub>1</sub> daN
CW 1000 050 V2	150	2175	920	1600
CW-H 1000 050 V2	0	0	---	---



**EQUIPPED WITH VDI - SAFETY**

	ENG ORDER		
	DEU BESTELLUNG	1000	50
	FRA COMMANDE	daN	mm
	ITA ORDINE		
	ESP PEDIDO		
POR PEDIDO			














--	--	--	--	--	--	--	--

N <sub>2</sub>	Smax < 90%	Vmax 1,6 m/s	bar psi	bar psi	°C °F	°C °F	600 CP-
			20 290	150 2175	0 32	80 176	



	<b>L1=138</b> <b>L1=152</b> <b>L1=152</b>	<b>L1=138</b> <b>L1=150</b> <b>L1=150</b>	<b>L1=170</b> <b>L1=185</b> <b>L1=195</b>	<b>L1=195</b>	<b>L1=165</b> <b>L1=175</b>	<b>L1=220</b>		
<b>MODEL</b>	<b>X</b> CW 1000 KZ 1000 KT 1000	<b>X</b> CT 750 CK 1000 FD 750	GN 750 CM 1000 CD 1000	AG 750	CPH 1700 CP 2000	CS 1800		
<b>SERIES</b>	MINI 	COMPACT HEIGHT 	THREADED 	LOW PROFILE 	HEAVY DUTY 	ISO 	HEAVY LOAD <b>&gt;Pmax</b> 	POWER COMPACT STROKE <b>&lt;S</b> <b>&gt;F0</b> 

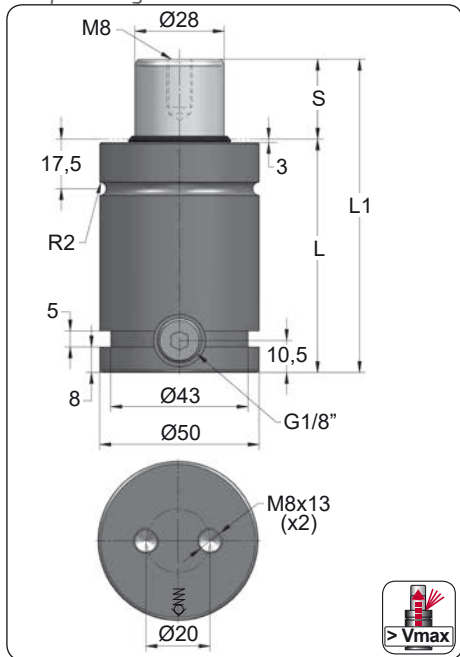
<p><b>CW</b></p>  <p><b>KRM6</b> </p> <p><b>BK</b> </p>	<p><b>CWC</b></p> <p><b>DRM8</b> </p> <p><b>TNRR</b> </p> <p><b>9RM8</b> </p> <p><b>MCRR</b> </p> <p><b>7RM8</b> </p> <p><b>TFRR</b> </p> <p><b>SKK</b> </p> <p><b>SGS</b> </p>
--	---

--	--	--	--	--	--

<b>CODE</b>	<b>CW 1000 050 V2</b>	<b>KIT S-XXXXXXX</b> <b>KIT C-XXXXXXX</b>	<b>A14-050</b>	<b>06 CG 2-Q</b>
ENG ORDER	GAS SPRING	REPAIR KIT	FLANGE	CHARGING ADAPTER
DEU BESTELLUNG	GASDRUCKFEDER	ERSATZTEILSATZ	FLANSCHEN	LADEADAPTER
FRA COMMANDE	RESSORT À GAZ	KIT DE RÉPARATION	BRIDE	RACCORD DE CHARGE
ITA ORDINE	CILINDRO AD AZOTO	KIT DI MANUTENZIONE	FLANGE	ADATTATORE DI CARICO
ESP PEDIDO	RESORTE DE GAS	KIT DE REPARACION	BRIDA	ADAPTADOR DE CARGA
POR PEDIDO	CILINDRO DE GÁS	KIT DE MANUTENÇÃO	FLANGE	ADAPTADOR DE CARGA

# CWC 1000 V2

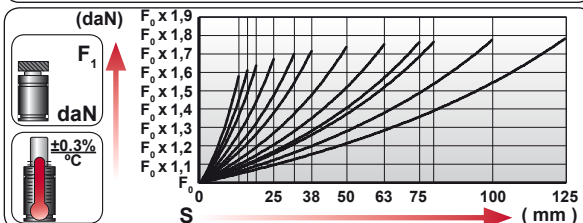
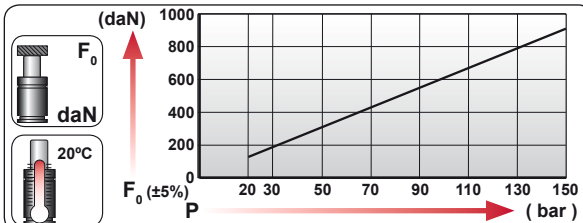
Compact Height



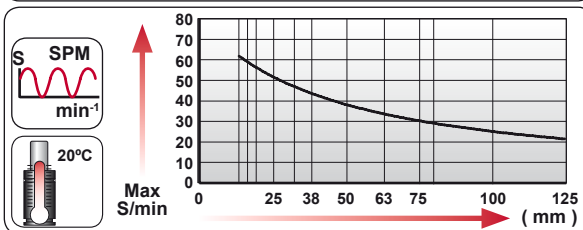
ORDER	S (mm)	L1 ±0,25 (mm)	L (mm)	Kg.
CWC 1000 013 V2	13	74	61	0.73
CWC 1000 016 V2	16	80	64	0.75
CWC 1000 019 V2	19	86	67	0.78
CWC 1000 025 V2	25	98	73	0.83
CWC 1000 032 V2	32	112	80	0.89
CWC 1000 038 V2	38	124	86	0.94
CWC 1000 050 V2	50	148	98	1.04
CWC 1000 063 V2	63	174	111	1.15
CWC 1000 075 V2	75	198	123	1.25
CWC 1000 080 V2	80	208	128	1.29
CWC 1000 100 V2	100	248	148	1.46
CWC 1000 125 V2	125	298	173	1.67



CODE				
	bar	psi	daN	daN
CWC 1000 050 V2	150	2175	920	1600
CWC-H 1000 050 V2	0	0	---	---



	ENG ORDER DEU BESTELLUNG FRA COMMANDE ITA ORDINE ESP PEDIDO POR PEDIDO		
		daN	mm
		CWC 1000	50
		CWC 1000 050 V2	



N <sub>2</sub>	S <sub>max</sub> < 90%	V <sub>max</sub> 1,6 m/s	P <sub>min</sub> (20°C)	P <sub>max</sub> (20°C)	T <sub>min</sub>	T <sub>max</sub>	600 CP-

bar	psi	bar	psi	°C	°F	°C	°F
20	290	150	2175	0	32	80	176

	MODEL	CWC 1000

<p><b>CW</b></p> <p><b>CW</b></p> <p><b>KRM6</b>      <b>BK</b></p>	<p><b>CWC</b></p> <p><b>CWC</b></p> <p><b>DRM8</b>      <b>TNRR</b></p> <p><b>9RM8</b>      <b>MCRR</b></p> <p><b>7RM8</b>      <b>TFRR</b></p> <p><b>SKK</b>      <b>SGS</b></p>
---	---

		<p><b>SEAL KIT S-XXXXXXX</b></p>	<p><b>CARTRIDGE KIT C-XXXXXXX</b></p>		
--	--	----------------------------------	---------------------------------------	--	--

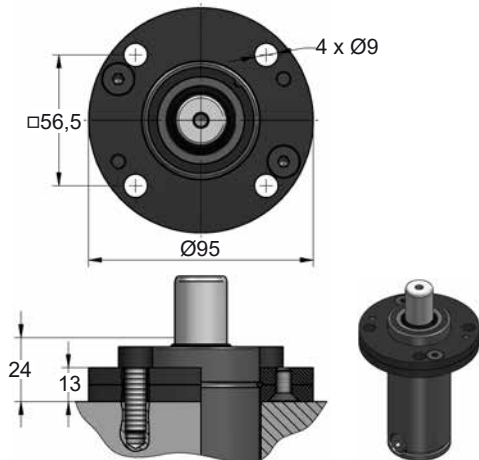
CODE	CWC 1000 050 V2	KIT S-XXXXXXX KIT C-XXXXXXX	A14-050	18 CG 1-Q
ENG ORDER	GAS SPRING	REPAIR KIT	FLANGE	CHARGING ADAPTER
DEU BESTELLUNG	GASDRUCKFEDER	ERSATZTEILSATZ	FLANSCH	LADEADAPTER
FRA COMMANDE	RESSORT À GAZ	KIT DE RÉPARATION	BRIDE	RACCORD DE CHARGE
ITA ORDINE	CILINDRO AD AZOTO	KIT DI MANUTENZIONE	FLANGE	ADATTATORE DI CARICO
ESP PEDIDO	RESORTE DE GAS	KIT DE REPARACION	BRIDA	ADAPTADOR DE CARGA
POR PEDIDO	CILINDRO DE GÁS	KIT DE MANUTENÇÃO	FLANGE	ADAPTADOR DE CARGA

# CW/CWC 1000 V2 MOUNTS

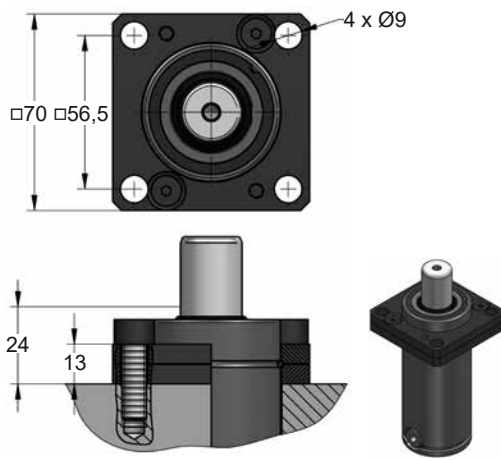
Compact Height

**AZOL**  
**GAS**

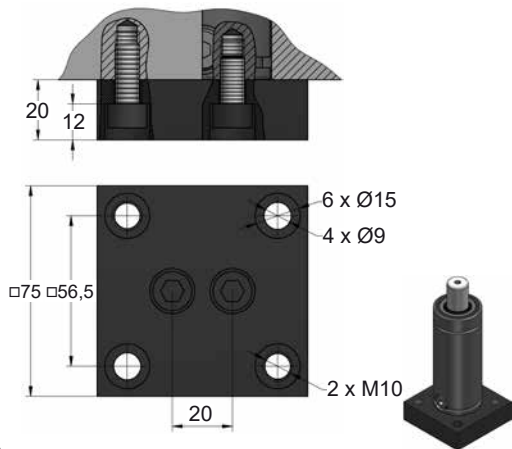
## A14-050



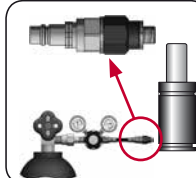
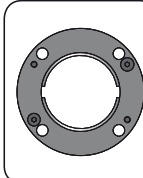
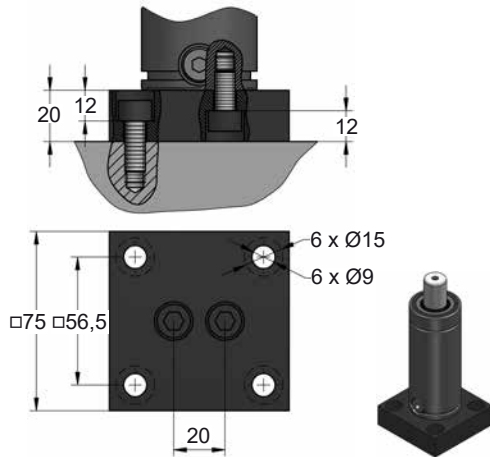
## A34-050



## B36-050

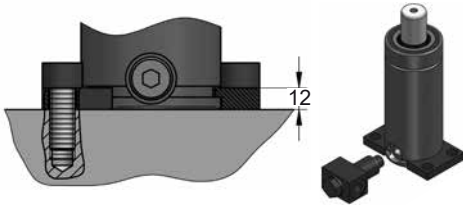
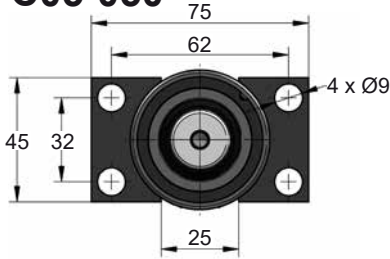


## B41-050

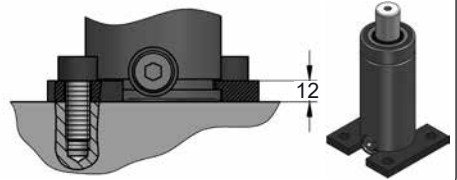
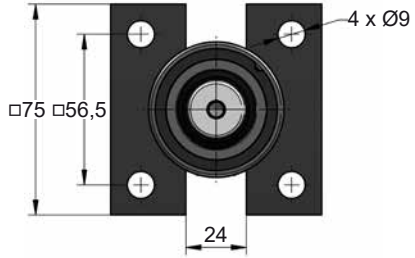


CODE	CWC 1000 050 V2	KIT S-XXXXXXX KIT C-XXXXXXX	A14-050	18 CG 1-Q
ENG	ORDER	GAS SPRING	FLANGE	CHARGING ADAPTER
DEU	BESTELLUNG	GASDRUCKFEDER	FLANSCH	LADEADAPTER
FRA	COMMANDE	RESSORT À GAZ	BRIDE	RACCORD DE CHARGE
ITA	ORDINE	CILINDRO AD AZOTO	FLANGE	ADATTATORE DI CARICO
ESP	PEDIDO	RESORTE DE GAS	BRIDA	ADAPTADOR DE CARGA
POR	PEDIDO	CILINDRO DE GÁS	FLANGE	ADAPTADOR DE CARGA

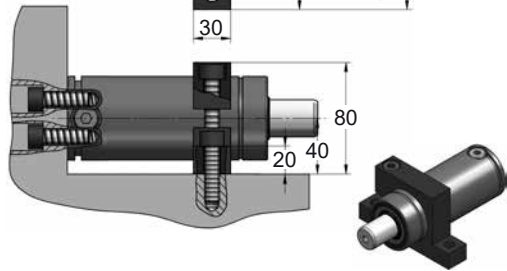
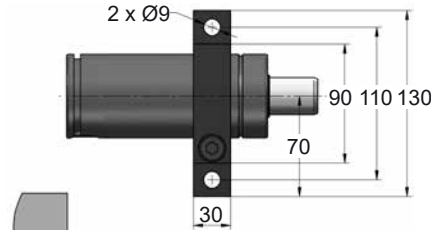
**C05-050**



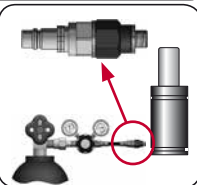
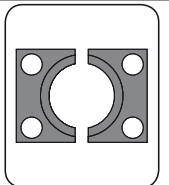
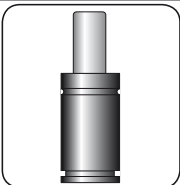
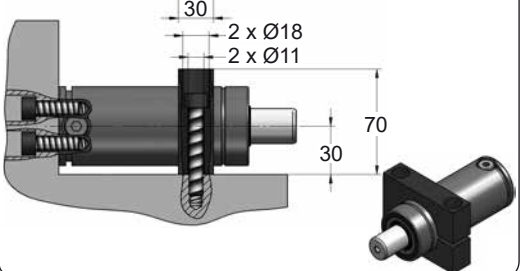
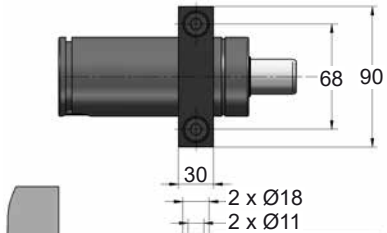
**C20-050**



**D02-050**



**D67-050**

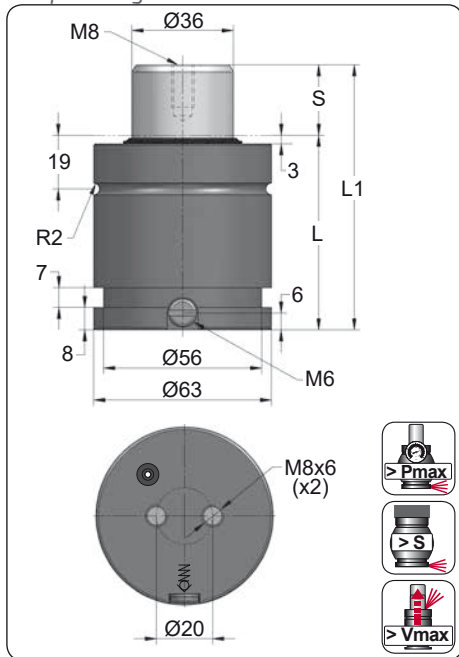


CODE	CWC 1000 050 V2	KIT S-XXXXXXX KIT C-XXXXXXX	C05-050	18 CG 1-Q
ENG ORDER	GAS SPRING	REPAIR KIT	FLANGE	CHARGING ADAPTER
DEU BESTELLUNG	GASDRUCKFEDER	ERSATZTEILSATZ	FLANSCHEN	LADEADAPTER
FRA COMMANDE	RESSORT À GAZ	KIT DE RÉPARATION	BRIDE	RACCORD DE CHARGE
ITA ORDINE	CILINDRO AD AZOTO	KIT DI MANUTENZIONE	FLANGE	ADATTATORE DI CARICO
ESP PEDIDO	RESORTE DE GAS	KIT DE REPARACION	BRIDA	ADAPTADOR DE CARGA
POR PEDIDO	CILINDRO DE GÁS	KIT DE MANUTENÇÃO	FLANGE	ADAPTADOR DE CARGA

# CW 1500

Compact Height

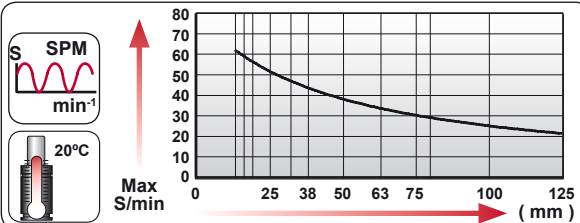
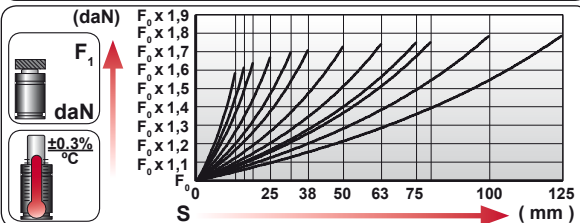
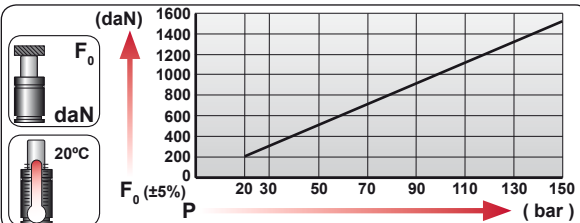
BMW B2 4005	FORD W-DX35-6204	
MB B8 3180 220 000 004		
VW 39D 997		



ORDER	S (mm)	L1 ±0.25 (mm)	L (mm)	Kg.
CW 1500 013	13	70	57	0.99
CW 1500 016	16	76	60	1.02
CW 1500 019	19	82	63	1.06
CW 1500 025	25	94	69	1.14
CW 1500 032	32	108	76	1.23
CW 1500 038	38	120	82	1.31
CW 1500 050	50	144	94	1.46
CW 1500 063	63	170	107	1.63
CW 1500 075	75	194	119	1.78
CW 1500 080	80	204	124	1.85
CW 1500 100	100	244	144	2.11
CW 1500 125	125	294	169	2.43



CODE				
	bar	psi	daN	daN
CW 1500 050	150	2175	1530	2640
CW-H 1500 050	0	0	---	---



**EQUIPPED WITH VDI - SAFETY**

	ENG ORDER DEU BESTELLUNG FRA COMMANDE ITA ORDINE ESP PEDIDO POR PEDIDO		
		daN	mm
<b>CW 1500 050</b>		<b>1500</b>	<b>50</b>

N <sub>2</sub>	S <sub>max</sub> < 90%	V <sub>max</sub> 1,6 m/s	P <sub>min</sub> (20°C)	P <sub>max</sub> (20°C)	T <sub>min</sub>	T <sub>max</sub>	600 CP-

bar	psi	bar	psi	°C	°F	°C	°F
20	290	150	2175	0	32	80	176

	<b>Ø63</b>	<b>Ø63</b>	<b>Ø63</b>	<b>Ø63</b>	<b>Ø63</b>	<b>Ø63</b>		
	<b>L1=144</b> <b>L1=152</b> <b>L1=152</b>	<b>L1=152</b> <b>L1=160</b>	<b>L1=185</b> <b>L1=195</b>	<b>L1=175</b> <b>L1=190</b>	<b>L1=205</b>			
<b>MODEL</b>	<b>X</b> CW 1500 KZ 1500 KT 1500	<b>X</b>	CT 1500 CK 1500	CM 1500 CD 1500		CPH 2800 CP 3000	CS 3000	
<b>SERIES</b>	MINI 	COMPACT HEIGHT 	THREADED 	LOW PROFILE 	HEAVY DUTY 	ISO 	HEAVY LOAD 	POWER COMPACT STROKE 

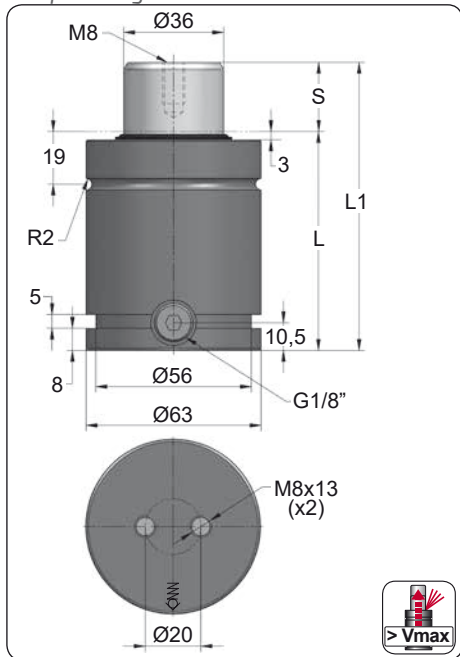
<b>CW</b>		<b>CWC</b>	
	<b>KRM6</b> 		<b>DRM8</b> 
	<b>BK</b> 		<b>TNRR</b> 
			<b>9RM8</b> 
			<b>MCRR</b> 
			<b>7RM8</b> 
			<b>TFRR</b> 
			<b>SKK</b> 
			<b>SGS</b> 

		 <b>SEAL KIT S-XXXXXXX</b>		
		 <b>CARTRIDGE KIT C-XXXXXXX</b>		

<b>CODE</b>	<b>CW 1500 050</b>	<b>KIT S-XXXXXXX</b> <b>KIT C-XXXXXXX</b>	<b>A14-063</b>	<b>06 CG 2-Q</b>
ENG ORDER	GAS SPRING	REPAIR KIT	FLANGE	CHARGING ADAPTER
DEU BESTELLUNG	GASDRUCKFEDER	ERSATZTEILSATZ	FLANSCHEN	LADEADAPTER
FRA COMMANDE	RESSORT À GAZ	KIT DE RÉPARATION	BRIDE	RACCORD DE CHARGE
ITA ORDINE	CILINDRO AD AZOTO	KIT DI MANUTENZIONE	FLANGE	ADATTATORE DI CARICO
ESP PEDIDO	RESORTE DE GAS	KIT DE REPARACION	BRIDA	ADAPTADOR DE CARGA
POR PEDIDO	CILINDRO DE GÁS	KIT DE MANUTENÇÃO	FLANGE	ADAPTADOR DE CARGA

# CWC 1500

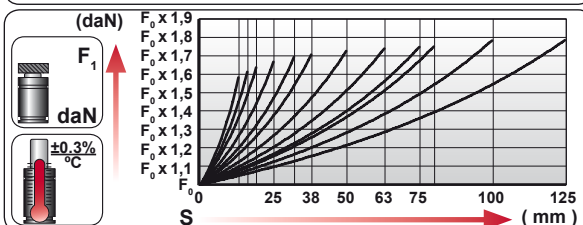
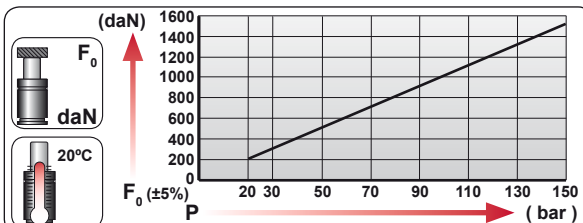
Compact Height



ORDER	S (mm)	L1 ±0,25 (mm)	L (mm)	Kg.
CWC 1500 013	13	80	67	1.22
CWC 1500 016	16	86	70	1.26
CWC 1500 019	19	92	73	1.30
CWC 1500 025	25	104	79	1.37
CWC 1500 032	32	118	86	1.46
CWC 1500 038	38	130	92	1.54
CWC 1500 050	50	154	104	1.70
CWC 1500 063	63	180	117	1.86
CWC 1500 075	75	204	129	2.02
CWC 1500 080	80	214	134	2.08
CWC 1500 100	100	254	154	2.34
CWC 1500 125	125	304	179	2.66



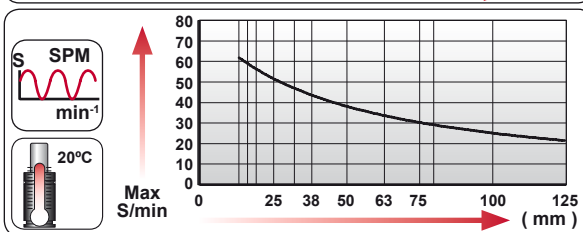
CODE				
	bar	psi	daN	daN
CWC 1500 050	150	2175	1530	2640
CWC-H 1500 050	0	0	---	---



ENG	ORDER
DEU	BESTELLUNG
FRA	COMMANDE
ITA	ORDINE
ESP	PEDIDO
POR	PEDIDO

**CWC 1500**     **50**




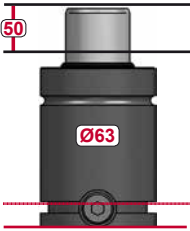
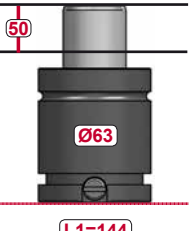
**CWC 1500 050**
















	$S_{max} < 90\%$	$V_{max} 1,6 \text{ m/s}$	Pmin (20°C)	Pmax (20°C)	Tmin	Tmax	
--	------------------	---------------------------	-------------	-------------	------	------	--

N <sub>2</sub>	S <sub>max</sub> < 90%	V <sub>max</sub> 1,6 m/s	bar psi	bar psi	°C °F	°C °F	600 CP-
			20 290	150 2175	0 32	80 176	



  	 <p>L1=154</p>	 <p>L1=144</p>
MODEL	CWC 1500	CW 1500

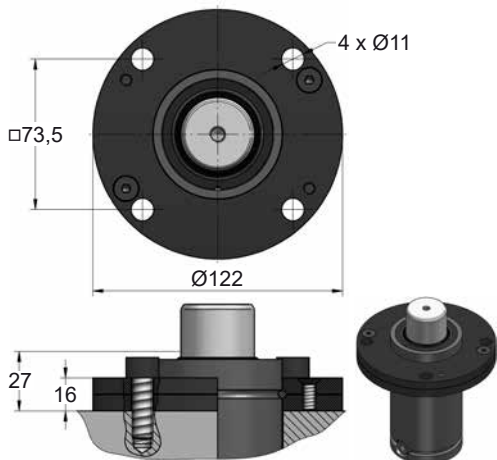
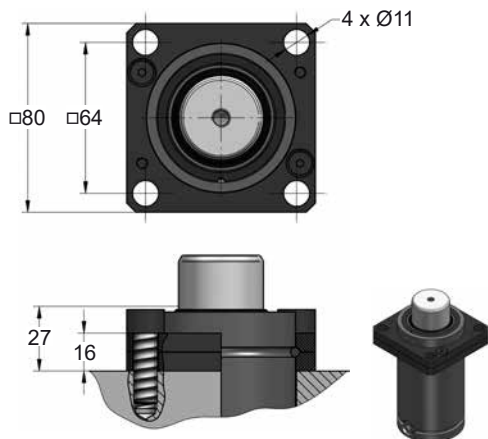
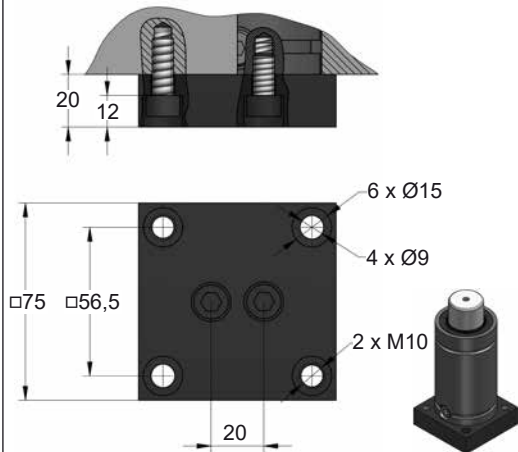
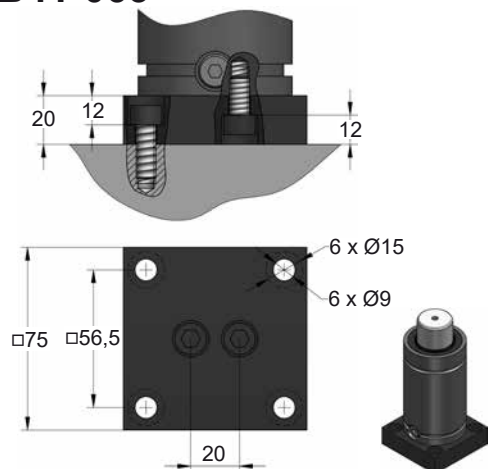
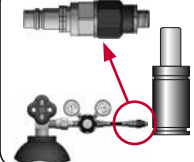
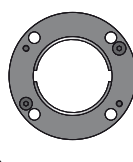
<p><b>CW</b></p>  <p><b>CW</b></p>  <p><b>KRM6</b></p>  <p><b>BK</b></p>	<p><b>CWC</b></p>  <p><b>CWC</b></p> <div style="display: flex; justify-content: space-around;"> <div> <p><b>DRM8</b></p>  </div> <div> <p><b>TNRR</b></p>  </div> </div> <div style="display: flex; justify-content: space-around;"> <div> <p><b>9RM8</b></p>  </div> <div> <p><b>MCRR</b></p>  </div> </div> <div style="display: flex; justify-content: space-around;"> <div> <p><b>7RM8</b></p>  </div> <div> <p><b>TFRR</b></p>  </div> </div> <div style="display: flex; justify-content: space-around;"> <div> <p><b>SKK</b></p>  </div> <div> <p><b>SGS</b></p>  </div> </div>
---	--

		 <p><b>SEAL KIT S-XXXXXXX</b></p> <p><b>CARTRIDGE KIT C-XXXXXXX</b></p>		
--	---	--	---	--

<b>CODE</b>	<b>CWC 1500 050</b>	<b>KIT S-XXXXXXX</b> <b>KIT C-XXXXXXX</b>	<b>A14-063</b>	<b>18 CG 1-Q</b>
ENG ORDER	GAS SPRING	REPAIR KIT	FLANGE	CHARGING ADAPTER
DEU BESTELLUNG	GASDRUCKFEDER	ERSATZTEILSATZ	FLANSCHEN	LADEADAPTER
FRA COMMANDE	RESSORT À GAZ	KIT DE RÉPARATION	BRIDE	RACCORD DE CHARGE
ITA ORDINE	CILINDRO AD AZOTO	KIT DI MANUTENZIONE	FLANGE	ADATTATORE DI CARICO
ESP PEDIDO	RESORTE DE GAS	KIT DE REPARACION	BRIDA	ADAPTADOR DE CARGA
POR PEDIDO	CILINDRO DE GAS	KIT DE MANUTENÇÃO	FLANGE	ADAPTADOR DE CARGA

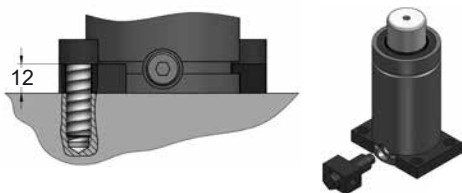
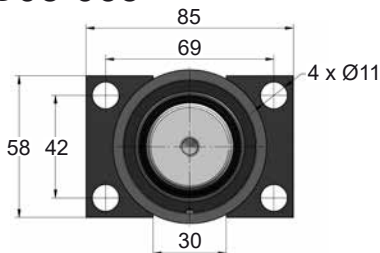
**CW/CWC 1500 MOUNTS**

Compact Height

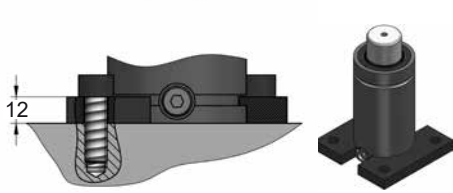
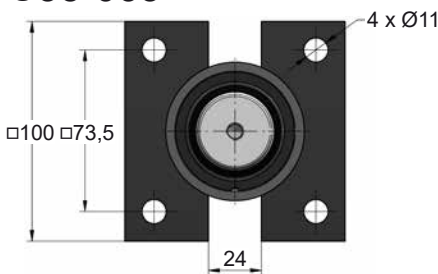
**AZOL  
GAS** **A14-063****A69-063****B36-063****B41-063****SEAL****KIT S-XXXXXXX****CARTRIDGE****KIT C-XXXXXXX**

CODE	CWC 1500 050	KIT S-XXXXXXX KIT C-XXXXXXX	A14-063	18 CG 1-Q
ENG ORDER	GAS SPRING	REPAIR KIT	FLANGE	CHARGING ADAPTER
DEU BESTELLUNG	GASDRUCKFEDER	ERSATZTEILSATZ	FLANSCHEN	LADEADAPTER
FRA COMMANDE	RESSORT À GAZ	KIT DE RÉPARATION	BRIDE	RACCORD DE CHARGE
ITA ORDINE	CILINDRO AD AZOTO	KIT DI MANUTENZIONE	FLANGE	ADATTATORE DI CARICO
ESP PEDIDO	RESORTE DE GAS	KIT DE REPARACION	BRIDA	ADAPTADOR DE CARGA
POR PEDIDO	CILINDRO DE GAS	KIT DE MANUTENÇÃO	FLANGE	ADAPTADOR DE CARGA

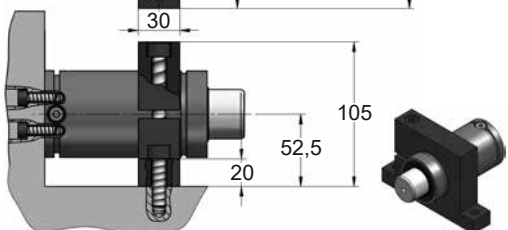
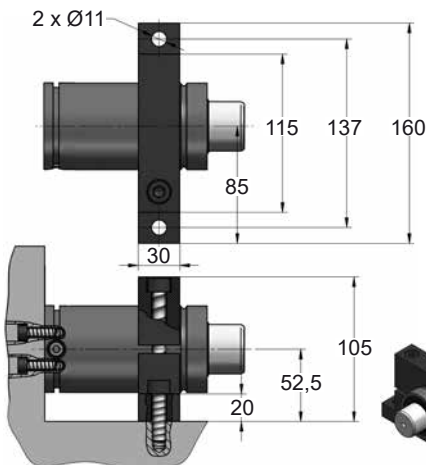
**C05-063**



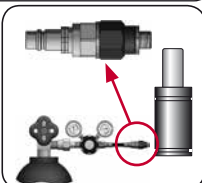
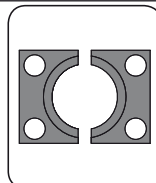
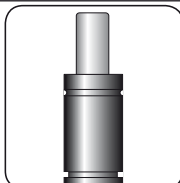
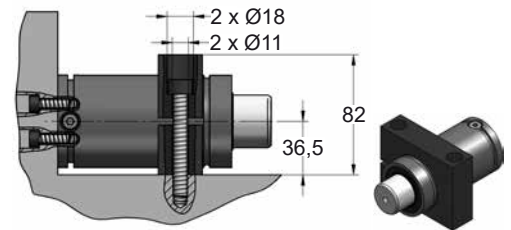
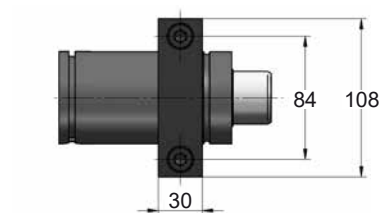
**C35-063**



**D02-063**



**D67-063**

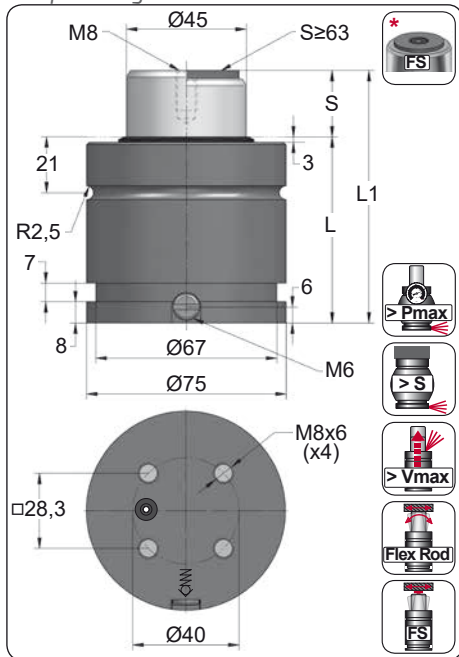


CODE	CWC 1500 050	KIT S-XXXXXXX KIT C-XXXXXXX	C05-063	18 CG 1-Q
ENG ORDER	GAS SPRING	REPAIR KIT	FLANGE	CHARGING ADAPTER
DEU BESTELLUNG	GASDRUCKFEDER	ERSATZTEILSATZ	FLANSCHEN	LADEADAPTER
FRA COMMANDE	RESSORT À GAZ	KIT DE RÉPARATION	BRIDE	RACCORD DE CHARGE
ITA ORDINE	CILINDRO AD AZOTO	KIT DI MANUTENZIONE	FLANGE	ADATTATORE DI CARICO
ESP PEDIDO	RESORTE DE GAS	KIT DE REPARACION	BRIDA	ADAPTADOR DE CARGA
POR PEDIDO	CILINDRO DE GÁS	KIT DE MANUTENÇÃO	FLANGE	ADAPTADOR DE CARGA

# CW 2400 V1

Compact Height

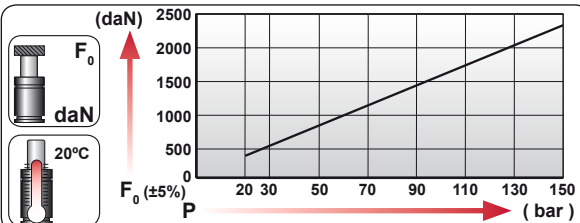
BMW B2 4005	FORD W-DX35-6204	PSA E24.54.815.G
MB B8 3180 220 000 004	GM 90.25.08	
VW 39D 997		



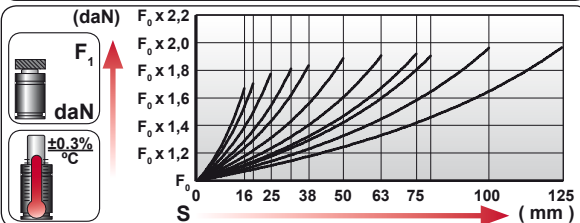
ORDER	S (mm)	L1 ±0.25 (mm)	L (mm)	Kg.
CW 2400 016 V1	16	77	61	1.48
CW 2400 019 V1	19	83	64	1.54
CW 2400 025 V1	25	95	70	1.64
CW 2400 032 V1	32	109	77	1.76
CW 2400 038 V1	38	121	83	1.86
CW 2400 050 V1	50	145	95	2.07
CW 2400 063 V1 *	63	171	108	2.29
CW 2400 075 V1 *	75	195	120	2.50
CW 2400 080 V1 *	80	205	125	2.58
CW 2400 100 V1 *	100	245	145	2.92
CW 2400 125 V1 *	125	295	170	3.35



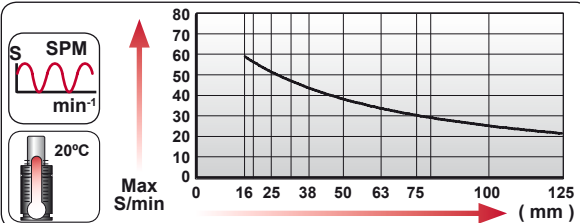
CODE	Pressure Gauge	bar	psi	F <sub>0</sub> daN	F <sub>1</sub> daN
CW 2400 050 V1		150	2175	2385	4500
CW-H 2400 050 V1		0	0	---	---



VDI 3003 EQUIPPED WITH VDI - SAFETY



	ENG ORDER DEU BESTELLUNG FRA COMMANDE ITA ORDINE ESP PEDIDO POR PEDIDO		
		daN	mm
<b>CW 2400 050 V1</b>		<b>2400</b>	<b>50</b>



N <sub>2</sub>	S <sub>max</sub> < 90%	V <sub>max</sub> 1,6 m/s	P <sub>min</sub> (20°C)	P <sub>max</sub> (20°C)	T <sub>min</sub>	T <sub>max</sub>	600 CP-

bar	psi	bar	psi	°C	°F	°C	°F
20	290	150	2175	0	32	80	176



# CW 2400 V1

Compact Height

	<b>L1=145</b>	<b>L1=154</b>	<b>L1=185</b>	<b>L1=210</b>	<b>L1=175</b>	<b>L1=200</b>	<b>L1=240</b>	
	<b>L1=159</b>	<b>L1=160</b>	<b>L1=195</b>					
	<b>L1=159</b>	<b>L1=160</b>	<b>L1=210</b>					
<b>MODEL</b>	<b>X</b> CW 2400 KZ 2400 KT 2400	<b>X</b>	CT 2500 CK 2500 FD 1500	GN 1500 CM 2500 CD 2400	AG 1500	CPH 4300 CP 5000	CS 4700	
<b>SERIES</b>	MINI 	COMPACT HEIGHT 	THREADED 	LOW PROFILE 	HEAVY DUTY 	ISO 	HEAVY LOAD 	POWER COMPACT STROKE 

### CW

**KRM6** **BK**

### CWC

**DRM8**

**TNRR**

**9RM8**

**MCRR**

**7RM8**

**TFRR**

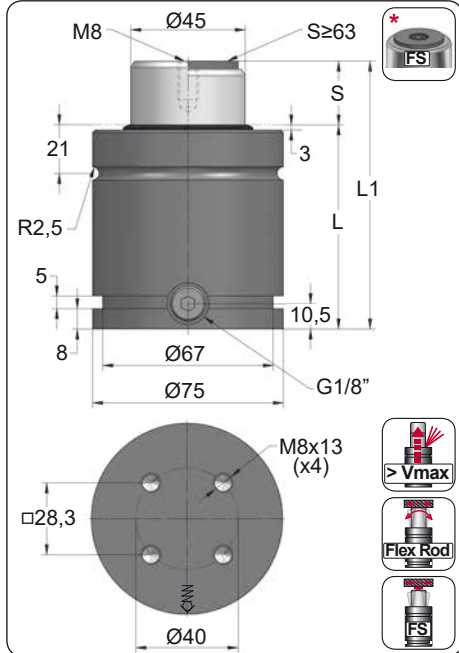
**SKK**

**SGS**

<b>CODE</b>	<b>CW 2400 050 V1</b>	<b>KIT S-XXXXXXX</b> <b>KIT C-XXXXXXX</b>	<b>A14-075</b>	<b>06 CG 2-Q</b>
ENG ORDER	GAS SPRING	REPAIR KIT	FLANGE	CHARGING ADAPTER
DEU BESTELLUNG	GASDRUCKFEDER	ERSATZTEILSATZ	FLANSCH	LADEADAPTER
FRA COMMANDE	RESSORT À GAZ	KIT DE RÉPARATION	BRIDE	RACCORD DE CHARGE
ITA ORDINE	CILINDRO AD AZOTO	KIT DI MANUTENZIONE	FLANGE	ADATTATORE DI CARICO
ESP PEDIDO	RESORTE DE GAS	KIT DE REPARACION	BRIDA	ADAPTADOR DE CARGA
POR PEDIDO	CILINDRO DE GÁS	KIT DE MANUTENÇÃO	FLANGE	ADAPTADOR DE CARGA

# CWC 2400 V2

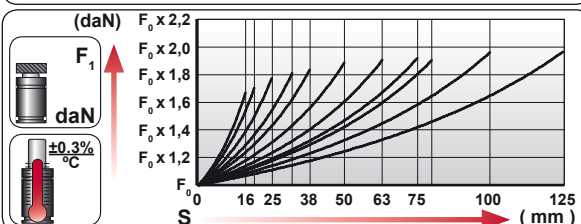
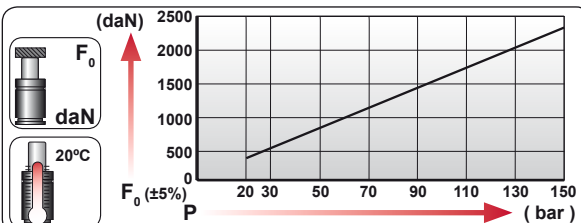
Compact Height



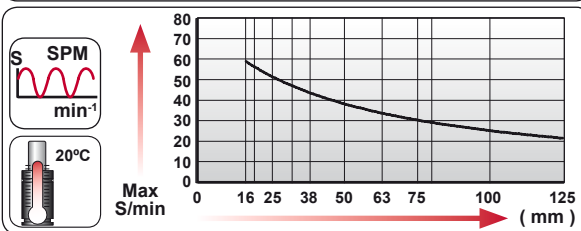
ORDER	S (mm)	L1 ±0,25 (mm)	L (mm)	Kg.
CWC 2400 016 V2	16	87	71	1.80
CWC 2400 019 V2	19	93	74	1.85
CWC 2400 025 V2	25	105	80	1.95
CWC 2400 032 V2	32	119	87	2.07
CWC 2400 038 V2	38	131	93	2.18
CWC 2400 050 V2	50	155	105	2.38
CWC 2400 063 V2 *	63	181	118	2.61
CWC 2400 075 V2 *	75	205	130	2.81
CWC 2400 080 V2 *	80	215	135	2.90
CWC 2400 100 V2 *	100	255	155	3.24
CWC 2400 125 V2 *	125	305	180	3.67



CODE			bar	psi	F <sub>0</sub> daN	F <sub>1</sub> daN
CWC 2400 050 V2			150	2175	2385	4500
CWC-H 2400 050 V2			0	0	---	---




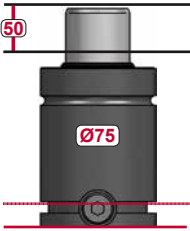
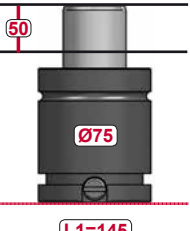














	ENG ORDER DEU BESTELLUNG FRA COMMANDE ITA ORDINE ESP PEDIDO POR PEDIDO		F <sub>0</sub> daN		S mm
		CWC 2400	50		
		CWC 2400 050 V2			

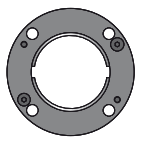


N <sub>2</sub>	S <sub>max</sub> < 90%	V <sub>max</sub> 1,6 m/s	P <sub>min</sub> (20°C)	P <sub>max</sub> (20°C)	T <sub>min</sub>	T <sub>max</sub>		

N <sub>2</sub>	S <sub>max</sub> < 90%	V <sub>max</sub> 1,6 m/s	bar psi	bar psi	°C °F	°C °F	600 CP-
			20 290	150 2175	0 32	80 176	

  		
MODEL	CWC 2400	CW 2400

<p><b>CW</b></p>  <p><b>KRM6</b> </p> <p><b>BK</b> </p>	<p><b>CWC</b></p>  <p><b>DRM8</b> </p> <p><b>9RM8</b> </p> <p><b>7RM8</b> </p> <p><b>SKK</b> </p> <p><b>TNRR</b> </p> <p><b>MCRR</b> </p> <p><b>TFRR</b> </p> <p><b>SGS</b> </p>
--	--

		 <p><b>SEAL KIT S-XXXXXXX</b></p>	 <p><b>CARTRIDGE KIT C-XXXXXXX</b></p>		
--	---	--	---	---	--

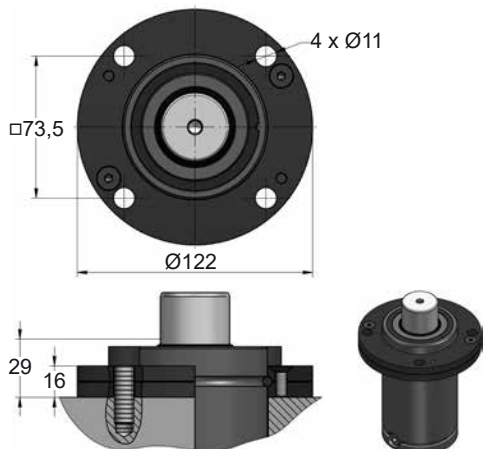
<b>CODE</b>	<b>CWC 2400 050 V2</b>	<b>KIT S-XXXXXXX</b> <b>KIT C-XXXXXXX</b>	<b>A14-075</b>	<b>18 CG 1-Q</b>
ENG ORDER	GAS SPRING	REPAIR KIT	FLANGE	CHARGING ADAPTER
DEU BESTELLUNG	GASDRUCKFEDER	ERSATZTEILSATZ	FLANSCH	LADEADAPTER
FRA COMMANDE	RESSORT À GAZ	KIT DE RÉPARATION	BRIDE	RACCORD DE CHARGE
ITA ORDINE	CILINDRO AD AZOTO	KIT DI MANUTENZIONE	FLANGE	ADATTATORE DI CARICO
ESP PEDIDO	RESORTE DE GAS	KIT DE REPARACION	BRIDA	ADAPTADOR DE CARGA
POR PEDIDO	CILINDRO DE GAS	KIT DE MANUTENÇÃO	FLANGE	ADAPTADOR DE CARGA

# CW 2400 V1 /CWC 2400 V2 MOUNTS

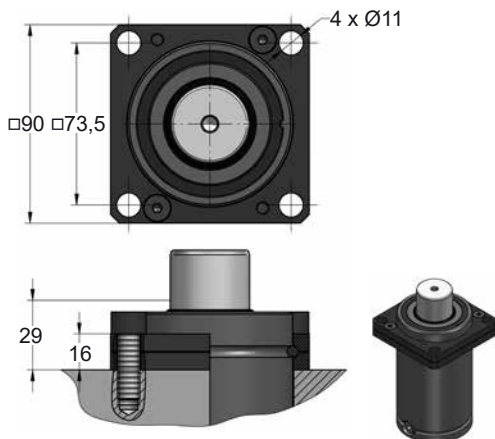
**AZOL**  
**GAS**

Compact Height

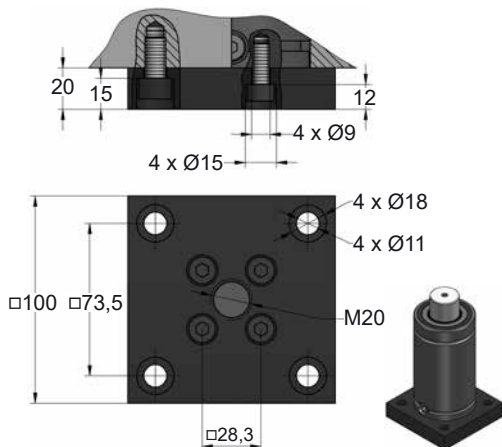
## A14-075



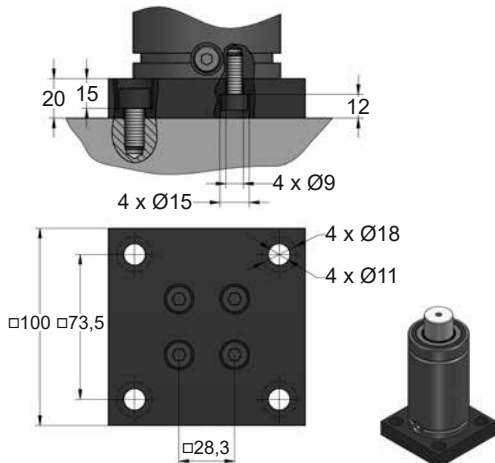
## A34-075



## B36-075



## B41-075

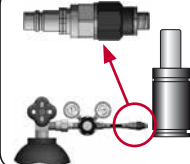
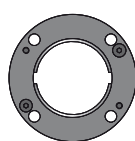


SEAL

KIT S-XXXXXXX

CARTRIDGE

KIT C-XXXXXXX



CODE	CWC 2400 050 V2	KIT S-XXXXXXX KIT C-XXXXXXX	A14-075	18 CG 1-Q
ENG ORDER	GAS SPRING	REPAIR KIT	FLANGE	CHARGING ADAPTER
DEU BESTELLUNG	GASDRUCKFEDER	ERSATZTEILSATZ	FLANSCHEN	LADEADAPTER
FRA COMMANDE	RESSORT À GAZ	KIT DE RÉPARATION	BRIDE	RACCORD DE CHARGE
ITA ORDINE	CILINDRO AD AZOTO	KIT DI MANUTENZIONE	FLANGE	ADATTATORE DI CARICO
ESP PEDIDO	RESORTE DE GAS	KIT DE REPARACION	BRIDA	ADAPTADOR DE CARGA
POR PEDIDO	CILINDRO DE GAS	KIT DE MANUTENÇÃO	FLANGE	ADAPTADOR DE CARGA

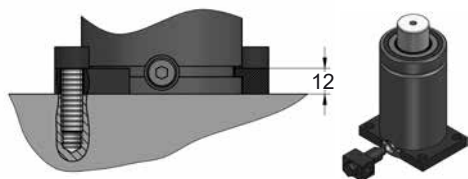
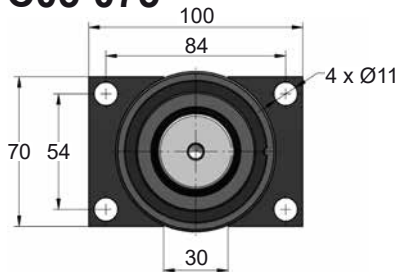




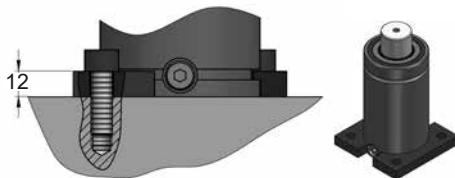
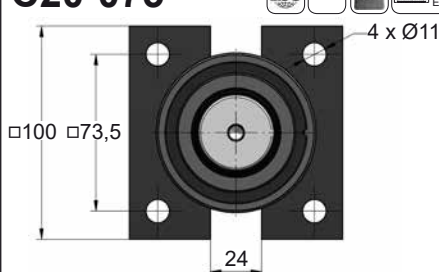
# CW 2400 V1/CWC 2400 V2 MOUNTS

Compact Height

## C05-075

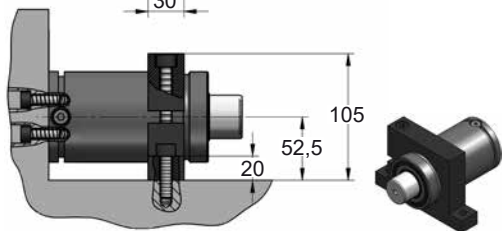
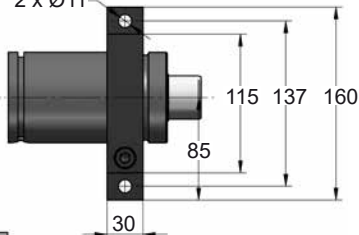


## C20-075

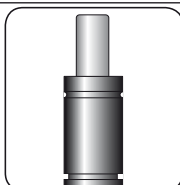
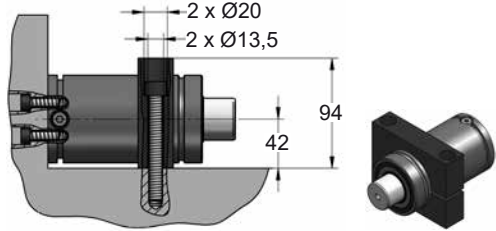
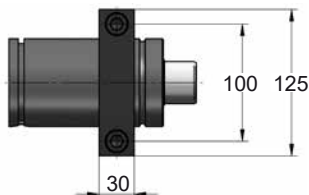


## D02-075

2 x Ø11



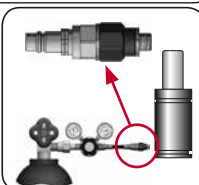
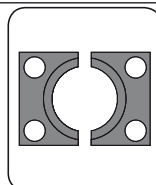
## D67-075



SEAL KIT S-XXXXXXX



CARTRIDGE KIT C-XXXXXXX

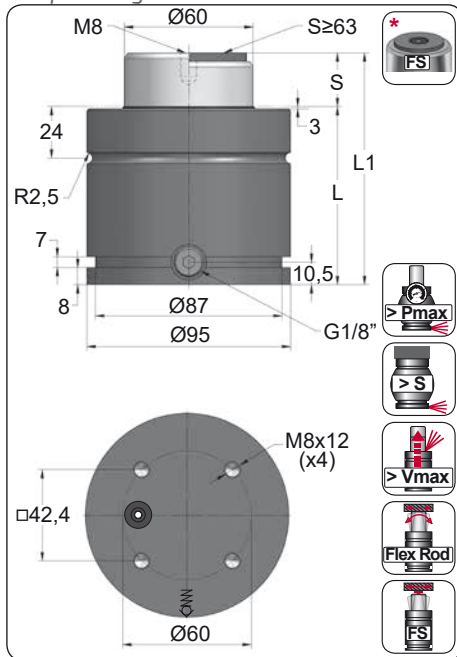


CODE	CWC 2400 050 V2	KIT S-XXXXXXX KIT C-XXXXXXX	C05-075	18 CG 1-Q
ENG ORDER	GAS SPRING	REPAIR KIT	FLANGE	CHARGING ADAPTER
DEU BESTELLUNG	GASDRUCKFEDER	ERSATZTEILSATZ	FLANSCHEN	LADEADAPTER
FRA COMMANDE	RESSORT À GAZ	KIT DE RÉPARATION	BRIDE	RACCORD DE CHARGE
ITA ORDINE	CILINDRO AD AZOTO	KIT DI MANUTENZIONE	FLANGE	ADATTATORE DI CARICO
ESP PEDIDO	RESORTE DE GAS	KIT DE REPARACION	BRIDA	ADAPTADOR DE CARGA
POR PEDIDO	CILINDRO DE GÁS	KIT DE MANUTENÇÃO	FLANGE	ADAPTADOR DE CARGA

# CW 4200 V1

Compact Height

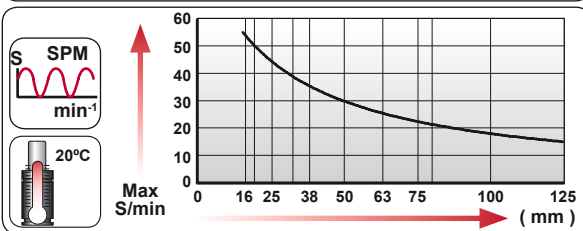
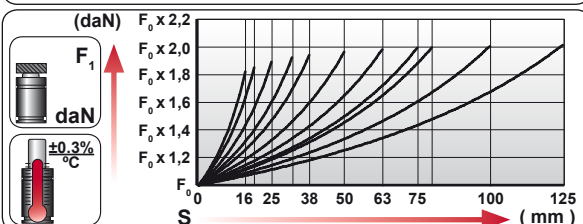
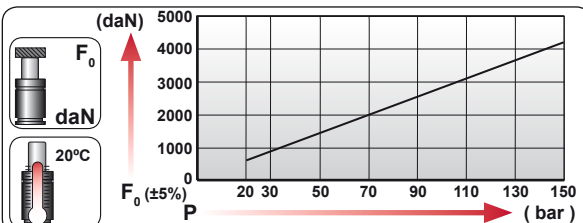
BMW B2 4005	FORD W-DX35-6204	PSA E24.54.815.G
MB B8 3180 220 000 004	GM 90.25.08	
VW 39D 997		



ORDER	S (mm)	L1 ±0.25 (mm)	L (mm)	Kg.
CW 4200 016 V1	16	90	74	3.04
CW 4200 019 V1	19	96	77	3.12
CW 4200 025 V1	25	108	83	3.29
CW 4200 032 V1	32	122	90	3.49
CW 4200 038 V1	38	134	96	3.66
CW 4200 050 V1	50	158	108	4.01
CW 4200 063 V1 *	63	184	121	4.38
CW 4200 075 V1 *	75	208	133	4.72
CW 4200 080 V1 *	80	218	138	4.86
CW 4200 100 V1 *	100	258	158	5.43
CW 4200 125 V1 *	125	308	183	6.15



CODE	Image	bar	psi	F <sub>0</sub> daN	F <sub>1</sub> daN
CW 4200 050 V1		150	2175	4240	8335
CW-H 4200 050 V1		0	0	---	---



**EQUIPPED WITH VDI - SAFETY**

	ENG ORDER		F <sub>0</sub>		S
	DEU BESTELLUNG	bar	daN	daN	mm
	FRA COMMANDE	psi			
	ITA ORDINE				
	ESP PEDIDO				
POR PEDIDO					
<b>CW 4200 050 V1</b>		<b>4200</b>	<b>50</b>		

--	--	--	--	--	--	--	--

N <sub>2</sub>	Smax < 90%	Vmax 1,6 m/s	bar psi	bar psi	°C °F	°C °F	600 CP-
			20 290	150 2175	0 32	80 176	

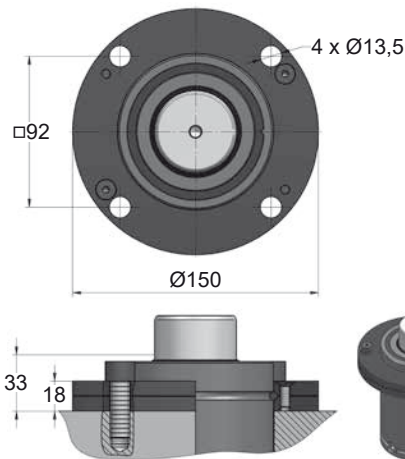


# CW 4200 V1 MOUNTS

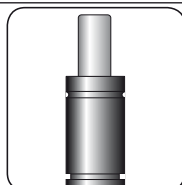
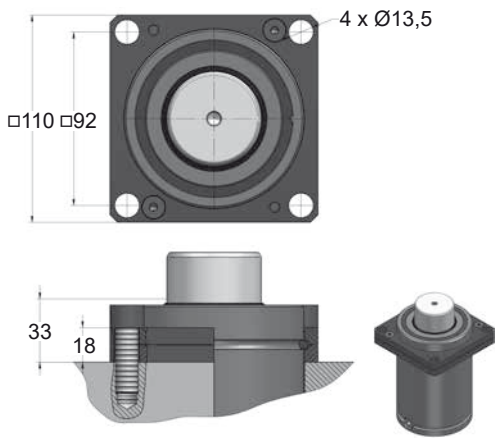
Compact Height

<b>MODEL</b>	<b>X</b>	CW 4200 KZ 4200 KT 4200	<b>X</b>	CK 4000 FD 3000	GN 3000 CM 4000 CD 4200	AG 3000	CP 8000	CS 7500
<b>SERIES</b>	MINI	COMPACT HEIGHT	THREADED	LOW PROFILE	HEAVY DUTY	ISO	HEAVY LOAD	POWER COMPACT STROKE

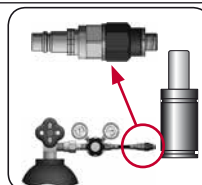
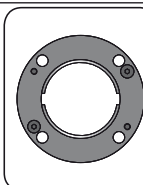
## A14-095



## A34-095



**SEAL KIT S-XXXXXXX**  
**CARTRIDGE KIT C-XXXXXXX**



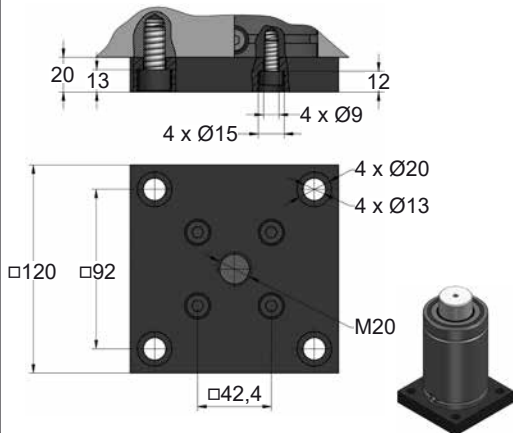
<b>CODE</b>	<b>CW 4200 050 V1</b>	<b>KIT S-XXXXXXX</b> <b>KIT C-XXXXXXX</b>	<b>A14-095</b>	<b>18 CG 1-Q</b>
ENG ORDER	GAS SPRING	REPAIR KIT	FLANGE	CHARGING ADAPTER
DEU BESTELLUNG	GASDRUCKFEDER	ERSATZTEILSATZ	FLANSCHEN	LADEADAPTER
FRA COMMANDE	RESSORT À GAZ	KIT DE RÉPARATION	BRIDE	RACCORD DE CHARGE
ITA ORDINE	CILINDRO AD AZOTO	KIT DI MANUTENZIONE	FLANGE	ADATTATORE DI CARICO
ESP PEDIDO	RESORTE DE GAS	KIT DE REPARACION	BRIDA	ADAPTADOR DE CARGA
POR PEDIDO	CILINDRO DE GÁS	KIT DE MANUTENÇÃO	FLANGE	ADAPTADOR DE CARGA

# CW 4200 V1 MOUNTS

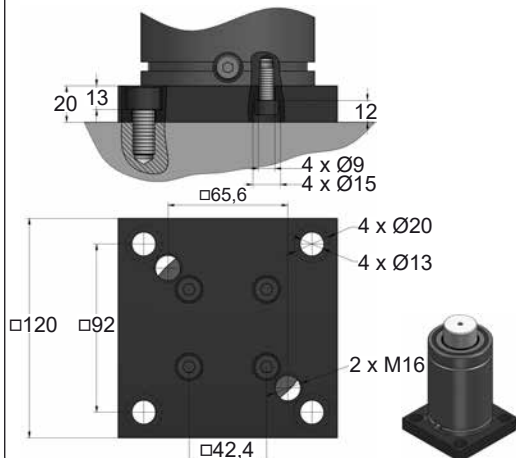
Compact Height

**AZOL  
GAS**

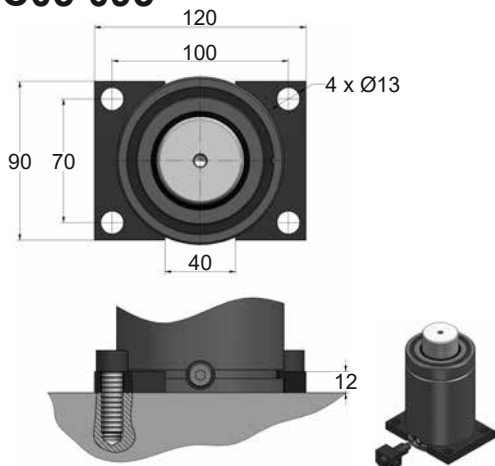
## B36-095



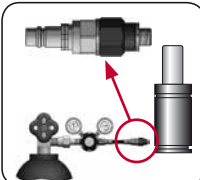
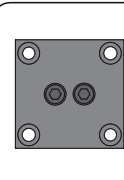
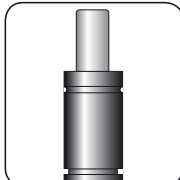
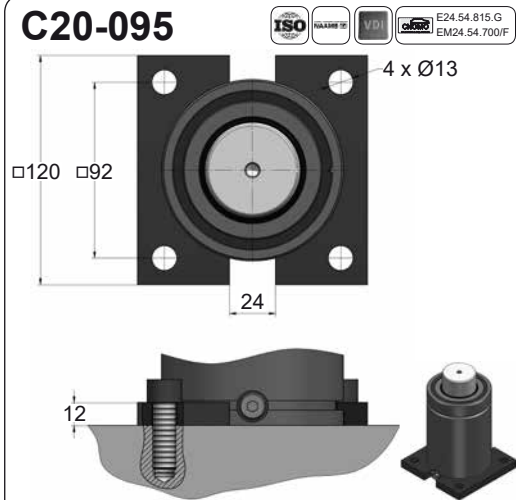
## B41-095



## C05-095



## C20-095



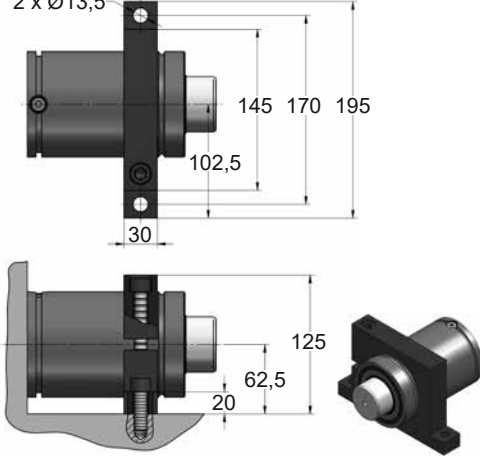
CODE	CW 4200 050 V1	KIT S-XXXXXXX KIT C-XXXXXXX	B36-095	18 CG 1-Q
ENG	ORDER	GAS SPRING	FLANGE	CHARGING ADAPTER
DEU	BESTELLUNG	GASDRUCKFEDER	FLANSCHEN	LADEADAPTER
FRA	COMMANDE	RESSORT À GAZ	BRIDE	RACCORD DE CHARGE
ITA	ORDINE	CILINDRO AD AZOTO	FLANGE	ADATTATORE DI CARICO
ESP	PEDIDO	RESORTE DE GAS	BRIDA	ADAPTADOR DE CARGA
POR	PEDIDO	CILINDRO DE GÁS	FLANGE	ADAPTADOR DE CARGA

# CW 4200 V1 MOUNTS

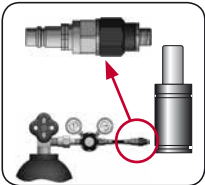
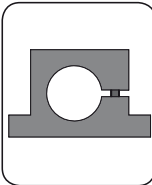
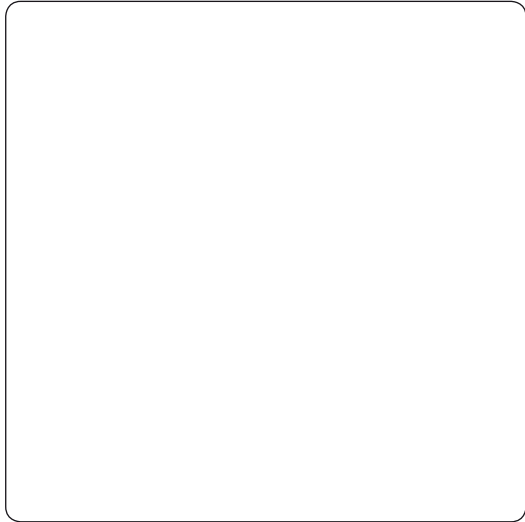
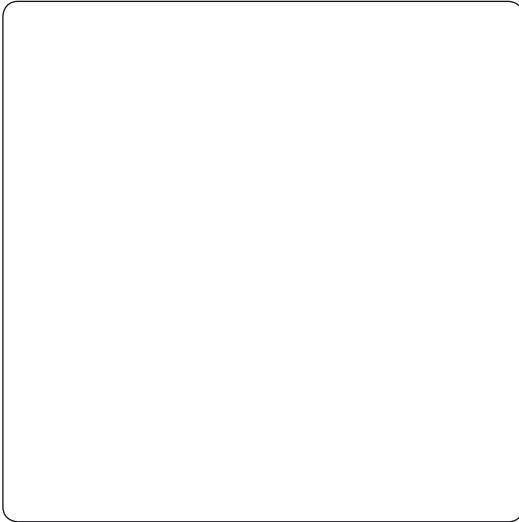
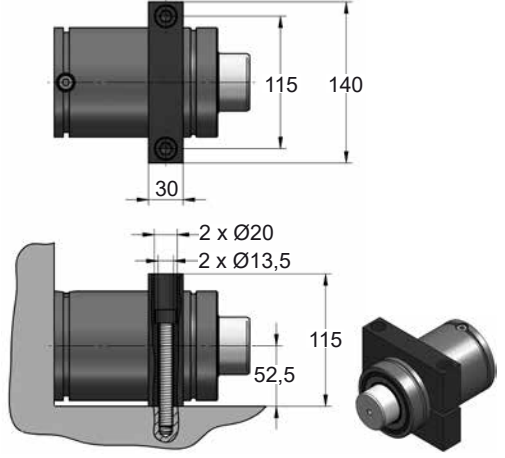
Compact Height

## D02-095

2 x Ø13,5



## D67-095

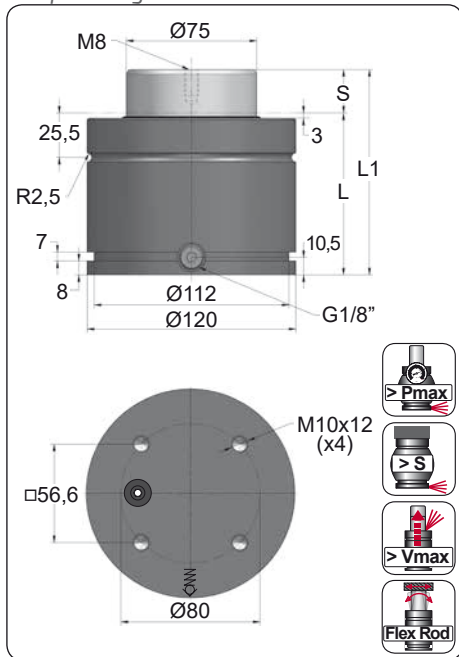


CODE	CW 4200 050 V1	KIT S-XXXXXXX KIT C-XXXXXXX	D02-095	18 CG 1-Q
ENG ORDER	GAS SPRING	REPAIR KIT	FLANGE	CHARGING ADAPTER
DEU BESTELLUNG	GASDRUCKFEDER	ERSATZTEILSATZ	FLANSCHEN	LADEADAPTER
FRA COMMANDE	RESSORT À GAZ	KIT DE RÉPARATION	BRIDE	RACCORD DE CHARGE
ITA ORDINE	CILINDRO AD AZOTO	KIT DI MANUTENZIONE	FLANGE	ADATTATORE DI CARICO
ESP PEDIDO	RESORTE DE GAS	KIT DE REPARACION	BRIDA	ADAPTADOR DE CARGA
POR PEDIDO	CILINDRO DE GÁS	KIT DE MANUTENÇÃO	FLANGE	ADAPTADOR DE CARGA

# CW 6600

Compact Height

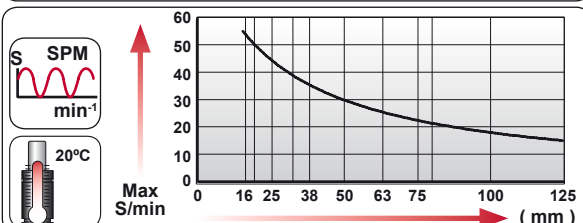
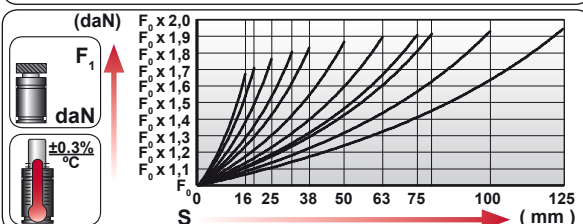
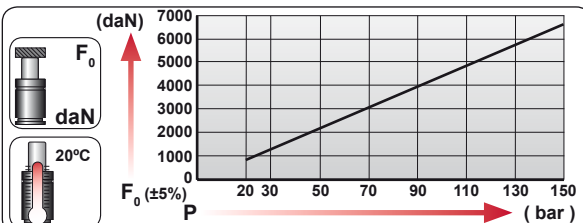
BMW B2 4005	FORD W-DX35-6204	
MB B8 3180 220 000 004	GM 90.25.08	
VW 39D 997		



ORDER	S (mm)	L1 ±0.25 (mm)	L (mm)	Kg.
CW 6600 016	16	100	84	5.55
CW 6600 019	19	106	87	5.69
CW 6600 025	25	118	93	5.97
CW 6600 032	32	132	100	6.29
CW 6600 038	38	144	106	6.57
CW 6600 050	50	168	118	7.13
CW 6600 063	63	194	131	7.73
CW 6600 075	75	218	143	8.29
CW 6600 080	80	228	148	8.52
CW 6600 100	100	268	168	9.45
CW 6600 125	125	318	193	10.61



CODE	Pressure Gauge	bar	psi	F <sub>0</sub> daN	F <sub>1</sub> daN
CW 6600 050		150	2175	6630	12380
CW-H 6600 050		0	0	---	---



**EQUIPPED WITH VDI - SAFETY**



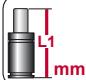








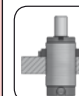





	ENG ORDER		
	DEU BESTELLUNG	daN	mm
	FRA COMMANDE		
	ITA ORDINE		
	ESP PEDIDO		
POR PEDIDO			
<b>CW 6600 050</b>	<b>6600</b>	<b>50</b>	

N <sub>2</sub>	S <sub>max</sub> < 90%	V <sub>max</sub> 1,6 m/s	P <sub>min</sub> (20°C)	P <sub>max</sub> (20°C)	T <sub>min</sub>	T <sub>max</sub>	600 CP-

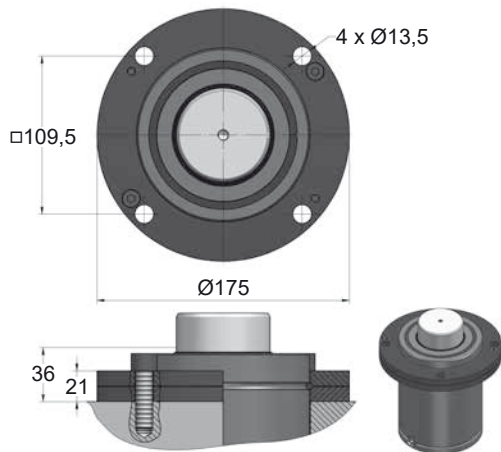
bar	psi	bar	psi	°C	°F	°C	°F
20	290	150	2175	0	32	80	176

# CW 6600 MOUNTS

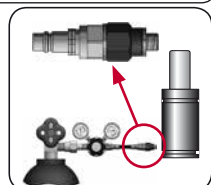
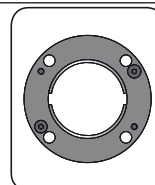
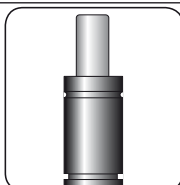
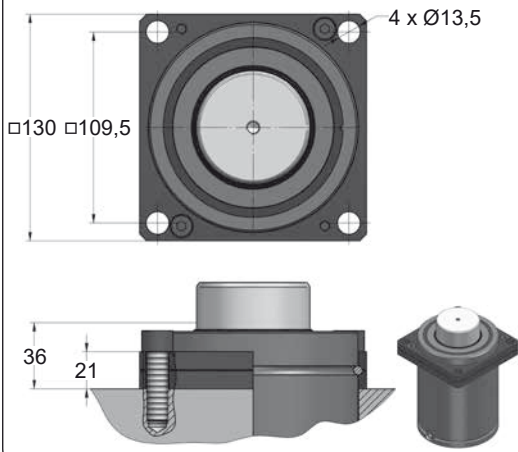
Compact Height

								
	50		50	50	50		50	
	<b>Ø120</b>		<b>Ø120</b>	<b>Ø120</b>	<b>Ø120</b>		<b>Ø120</b>	
	<b>L1=168</b>		<b>L1=190</b>	<b>L1=202</b>	<b>L1=240</b>		<b>L1=260</b>	
	<b>L1=172</b>			<b>L1=215</b>				
	<b>L1=172</b>			<b>L1=240</b>				
<b>MODEL</b>	<b>X</b>	<b>CW 6600</b> <b>KZ 6600</b> <b>KT 6600</b>	<b>X</b>	<b>FD 5000</b>	<b>GN 5000</b> <b>CM 6500</b> <b>CD 6600</b>	<b>AG 5000</b>	<b>X</b>	<b>CS 11800</b>
<b>SERIES</b>	<b>MINI</b>	<b>COMPACT HEIGHT</b>	<b>THREADED</b>	<b>LOW PROFILE</b>	<b>HEAVY DUTY</b>	<b>ISO</b>	<b>HEAVY LOAD</b>	<b>POWER COMPACT STROKE</b>
								

## A14-120



## A34-120



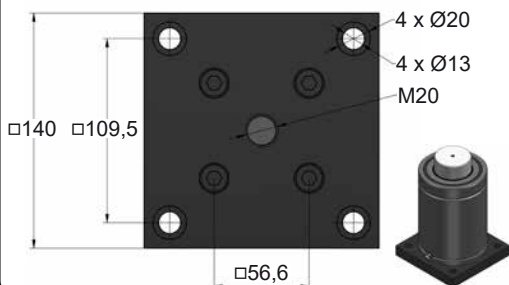
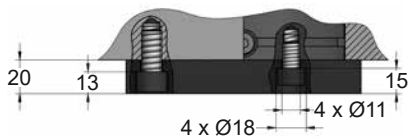
<b>CODE</b>	<b>CW 6600 050</b>	<b>KIT S-XXXXXXX</b> <b>KIT C-XXXXXXX</b>	<b>A14-120</b>	<b>18 CG 1-Q</b>
<b>ENG ORDER</b>	<b>GAS SPRING</b>	<b>REPAIR KIT</b>	<b>FLANGE</b>	<b>CHARGING ADAPTER</b>
<b>DEU BESTELLUNG</b>	<b>GASDRUCKFEDER</b>	<b>ERSATZTEILSATZ</b>	<b>FLANSCHEN</b>	<b>LADEADAPTER</b>
<b>FRA COMMANDE</b>	<b>RESSORT À GAZ</b>	<b>KIT DE RÉPARATION</b>	<b>BRIDE</b>	<b>RACCORD DE CHARGE</b>
<b>ITA ORDINE</b>	<b>CILINDRO AD AZOTO</b>	<b>KIT DI MANUTENZIONE</b>	<b>FLANGE</b>	<b>ADATTATORE DI CARICO</b>
<b>ESP PEDIDO</b>	<b>RESORTE DE GAS</b>	<b>KIT DE REPARACION</b>	<b>BRIDA</b>	<b>ADAPTADOR DE CARGA</b>
<b>POR PEDIDO</b>	<b>CILINDRO DE GÁS</b>	<b>KIT DE MANUTENÇÃO</b>	<b>FLANGE</b>	<b>ADAPTADOR DE CARGA</b>

# CW 6600 MOUNTS

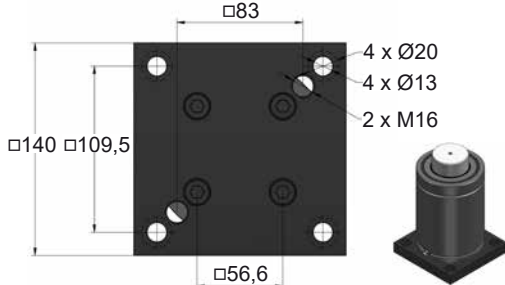
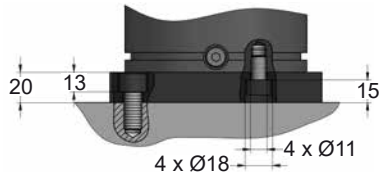
Compact Height

**AZOL**  
**GAS**

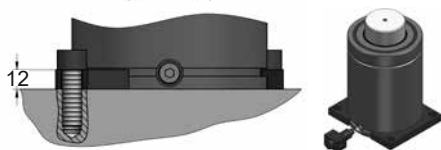
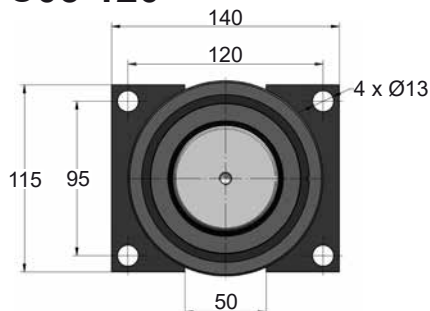
## B36-120



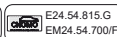
## B41-120



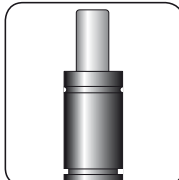
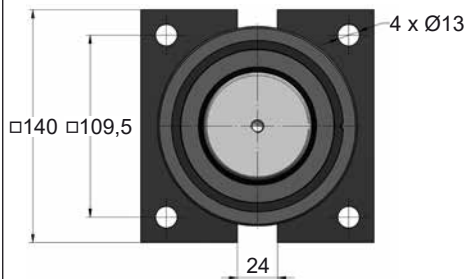
## C05-120



## C20-120



E24.54.815.G  
EM24.54.700/F



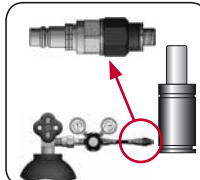
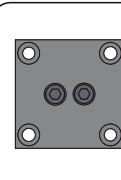
SEAL

KIT S-XXXXXXX



CARTRIDGE

KIT C-XXXXXXX



CODE	CW 6600 050	KIT S-XXXXXXX KIT C-XXXXXXX	B36-120	18 CG 1-Q
ENG ORDER	GAS SPRING	REPAIR KIT	FLANGE	CHARGING ADAPTER
DEU BESTELLUNG	GASDRUCKFEDER	ERSATZTEILSATZ	FLANSCHEN	LADEADAPTER
FRA COMMANDE	RESSORT À GAZ	KIT DE RÉPARATION	BRIDE	RACCORD DE CHARGE
ITA ORDINE	CILINDRO AD AZOTO	KIT DI MANUTENZIONE	FLANGE	ADATTATORE DI CARICO
ESP PEDIDO	RESORTE DE GAS	KIT DE REPARACION	BRIDA	ADAPTADOR DE CARGA
POR PEDIDO	CILINDRO DE GÁS	KIT DE MANUTENÇÃO	FLANGE	ADAPTADOR DE CARGA





# CW 6600 MOUNTS

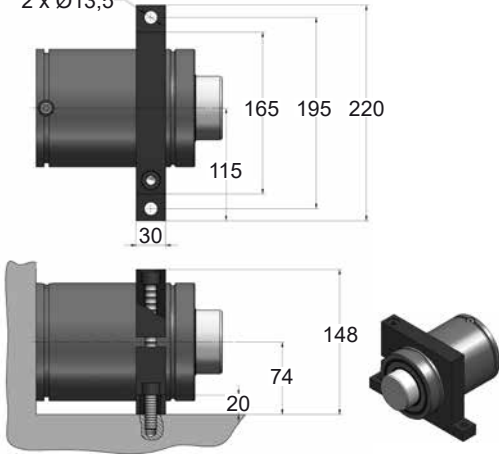
Compact Height

## D02-120

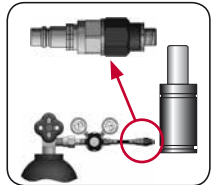
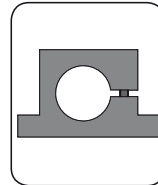
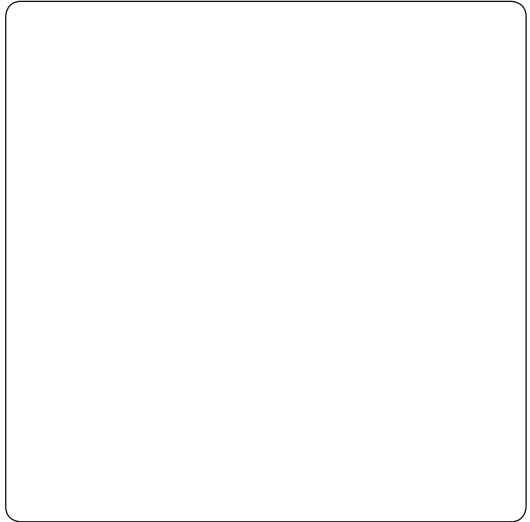
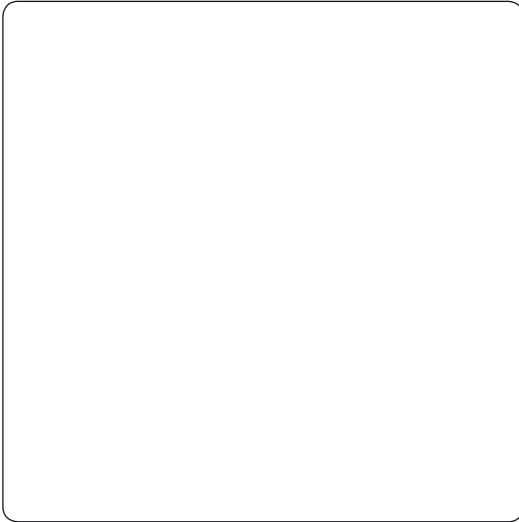
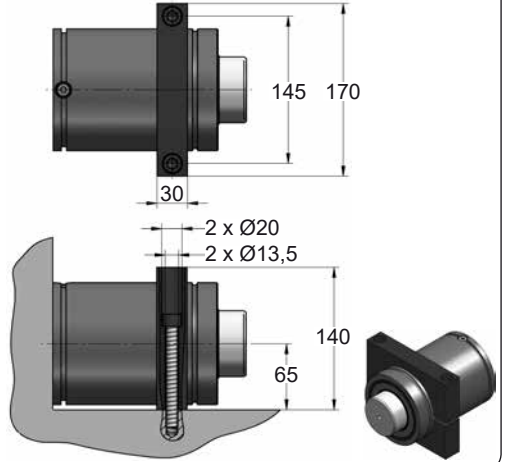
2 x Ø13,5



E24.54.815.G  
EM24.54.700F



## D67-120

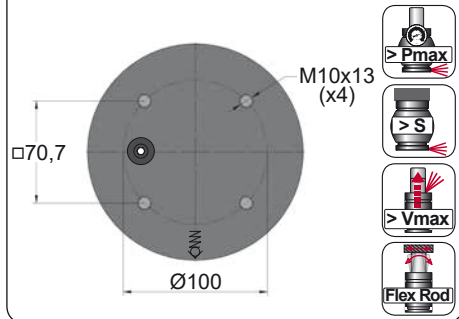
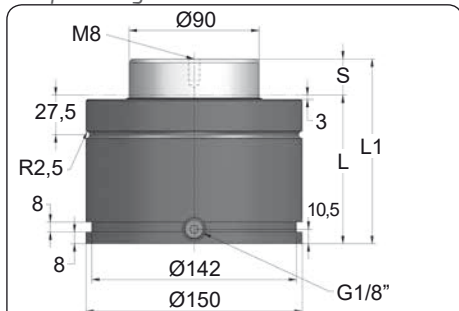


CODE	CW 6600 050	KIT S-XXXXXXX KIT C-XXXXXXX	D02-120	18 CG 1-Q
ENG	ORDER	GAS SPRING	FLANGE	CHARGING ADAPTER
DEU	BESTELLUNG	GASDRUCKFEDER	FLANSCHEN	LADEADAPTER
FRA	COMMANDE	RESSORT À GAZ	BRIDE	RACCORD DE CHARGE
ITA	ORDINE	CILINDRO AD AZOTO	FLANGE	ADATTATORE DI CARICO
ESP	PEDIDO	RESORTE DE GAS	BRIDA	ADAPTADOR DE CARGA
POR	PEDIDO	CILINDRO DE GÁS	FLANGE	ADAPTADOR DE CARGA

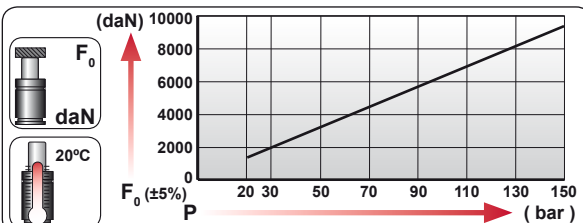
# CW 9500

Compact Height

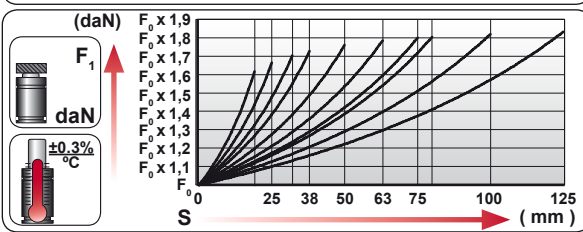
BMW B2 4005	FORD W-DX35-6204	
MB B8 3180 220 000 004	GM 90.25.08	
VW 39D 997		



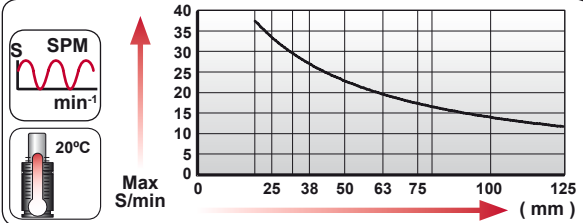
ORDER	S (mm)	L1 ±0.25 (mm)	L (mm)	Kg.
CW 9500 019	19	116	97	9.74
CW 9500 025	25	128	103	10.14
CW 9500 032	32	142	110	10.60
CW 9500 038	38	154	116	11.00
CW 9500 050	50	178	128	11.79
CW 9500 063	63	204	141	12.66
CW 9500 075	75	228	153	13.45
CW 9500 080	80	238	158	13.78
CW 9500 100	100	278	178	15.11
CW 9500 125	125	328	203	16.77



CODE	Pressure Gauge	bar	psi	$F_0$ daN	$F_1$ daN
CW 9500 050		150	2175	9540	16800
CW-H 9500 050		0	0	---	---



**EQUIPPED WITH VDI - SAFETY**





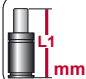






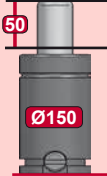











	ENG ORDER		$F_0$		S
	DEU BESTELLUNG	daN	9500	mm	50
	FRA COMMANDE				
	ITA ORDINE				
	ESP PEDIDO				
POR PEDIDO					

N <sub>2</sub>	Smax < 90%	Vmax 1,6 m/s	Pmin (20°C)	Pmax (20°C)	Tmin	Tmax	600 CP-

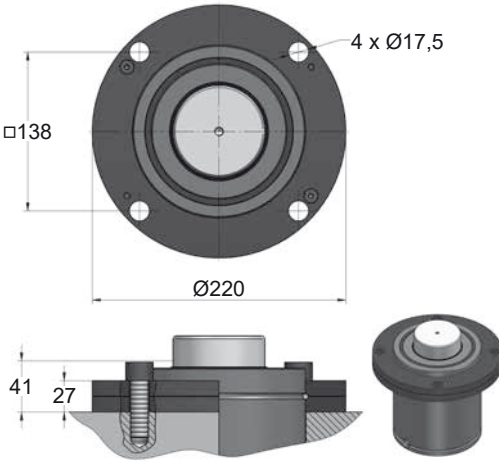
bar	psi	bar	psi	°C	°F	°C	°F
20	290	150	2175	0	32	80	176

# CW 9500 MOUNTS

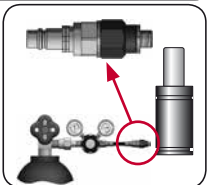
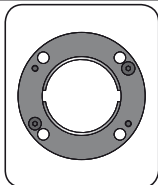
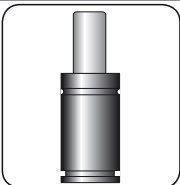
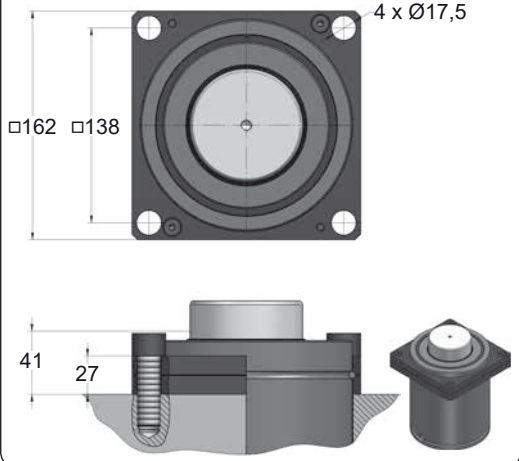
Compact Height

								
	<b>50</b>  <b>Ø150</b> <b>L1=178</b> <b>L1=178</b> <b>L1=178</b>	<b>X</b>	<b>X</b>	<b>X</b>	<b>50</b>  <b>Ø150</b> <b>L1=205</b> <b>L1=236</b> <b>L1=255</b>	<b>50</b>  <b>Ø150</b> <b>L1=255</b>	<b>50</b>  <b>Ø150</b> <b>L1=270</b>	
<b>MODEL</b>	<b>X</b> CW 9500 CW 11800 KT 9500	<b>X</b>	<b>X</b>		GN 7500 CM 10000 CD 9600	AG 7500	<b>X</b>	CS 18300
<b>SERIES</b>	MINI 	COMPACT HEIGHT 	THREADED 	LOW PROFILE 	HEAVY DUTY 	ISO 	HEAVY LOAD <b>&gt;Pmax</b> 	POWER COMPACT STROKE <b>&lt;S</b> <b>&gt;F<sub>0</sub></b> 

## A14-150



## A34-150



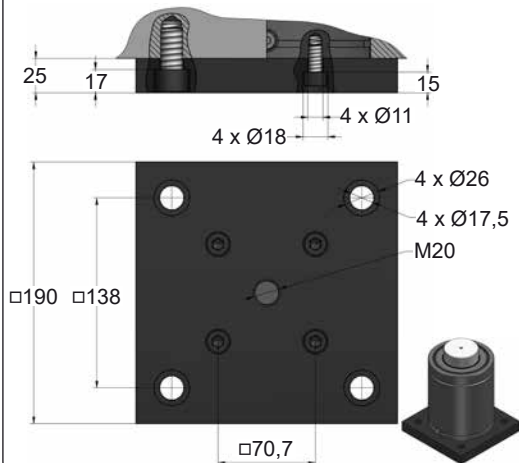
<b>CODE</b>	<b>CW 9500 050</b>	<b>KIT S-XXXXXXX</b> <b>KIT C-XXXXXXX</b>	<b>A14-150</b>	<b>18 CG 1-Q</b>
ENG ORDER	GAS SPRING	REPAIR KIT	FLANGE	CHARGING ADAPTER
DEU BESTELLUNG	GASDRUCKFEDER	ERSATZTEILSATZ	FLANSCHEN	LADEADAPTER
FRA COMMANDE	RESSORT À GAZ	KIT DE RÉPARATION	BRIDE	RACCORD DE CHARGE
ITA ORDINE	CILINDRO AD AZOTO	KIT DI MANUTENZIONE	FLANGE	ADATTATORE DI CARICO
ESP PEDIDO	RESORTE DE GAS	KIT DE REPARACION	BRIDA	ADAPTADOR DE CARGA
POR PEDIDO	CILINDRO DE GÁS	KIT DE MANUTENÇÃO	FLANGE	ADAPTADOR DE CARGA

# CW 9500 MOUNTS

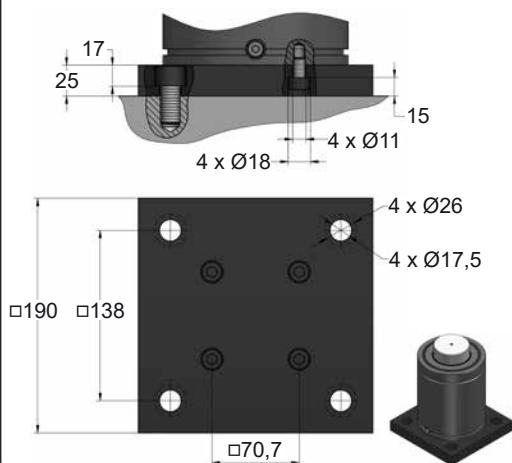
Compact Height

**AZOL  
GAS**

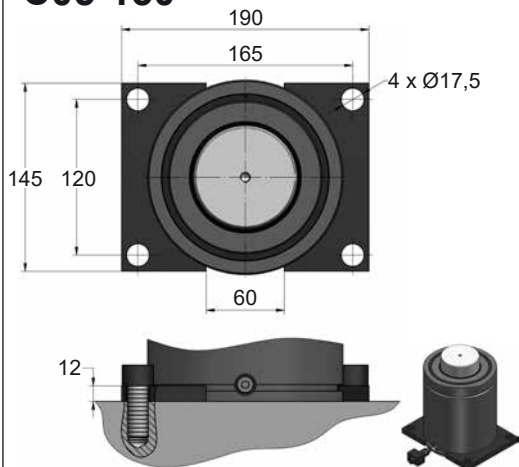
## B36-150



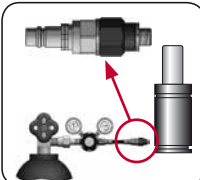
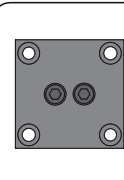
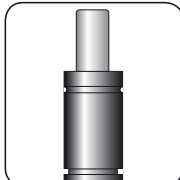
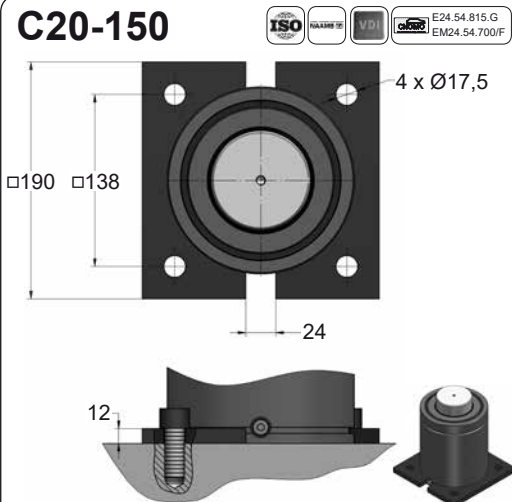
## B41-150



## C05-150



## C20-150



CODE	CW 9500 050	KIT S-XXXXXXX KIT C-XXXXXXX	B36-150	18 CG 1-Q
ENG ORDER	GAS SPRING	REPAIR KIT	FLANGE	CHARGING ADAPTER
DEU BESTELLUNG	GASDRUCKFEDER	ERSATZTEILSATZ	FLANSCHEN	LADEADAPTER
FRA COMMANDE	RESSORT À GAZ	KIT DE RÉPARATION	BRIDE	RACCORD DE CHARGE
ITA ORDINE	CILINDRO AD AZOTO	KIT DI MANUTENZIONE	FLANGE	ADATTATORE DI CARICO
ESP PEDIDO	RESORTE DE GAS	KIT DE REPARACION	BRIDA	ADAPTADOR DE CARGA
POR PEDIDO	CILINDRO DE GÁS	KIT DE MANUTENÇÃO	FLANGE	ADAPTADOR DE CARGA



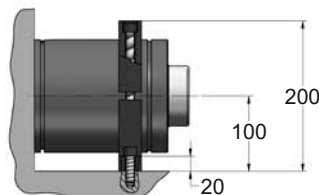
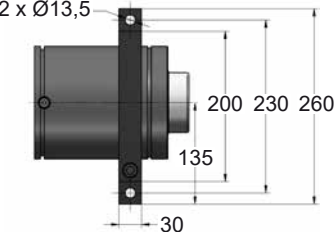
# CW 9500 MOUNTS

Compact Height

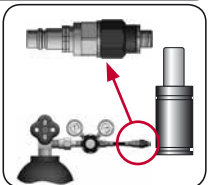
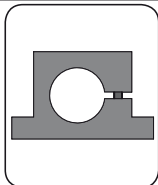
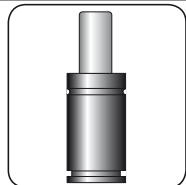
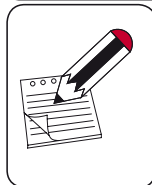
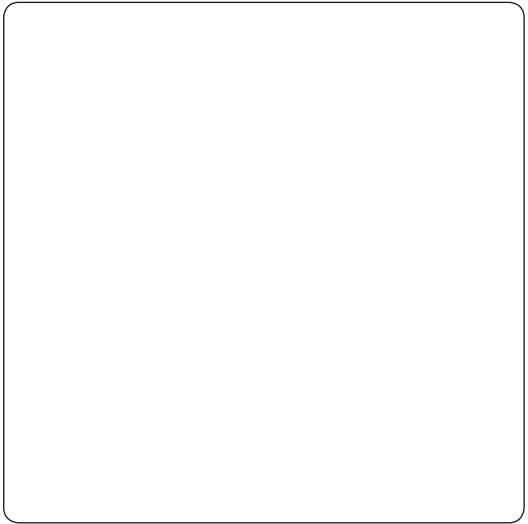
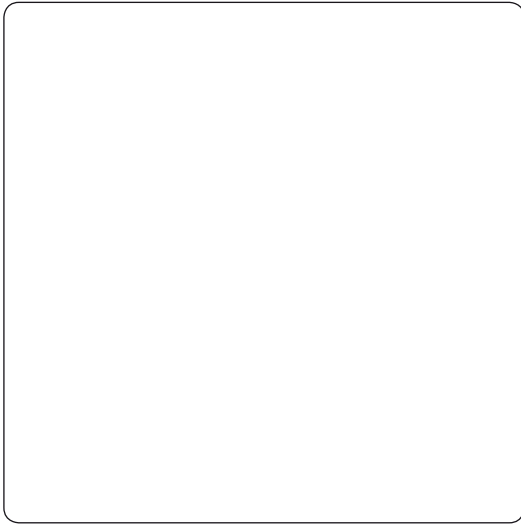
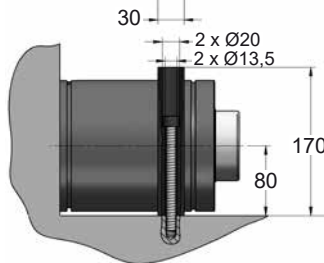
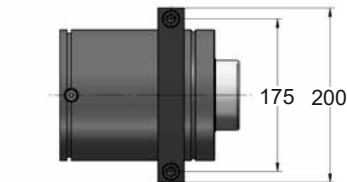


## D02-150

2 x Ø13,5



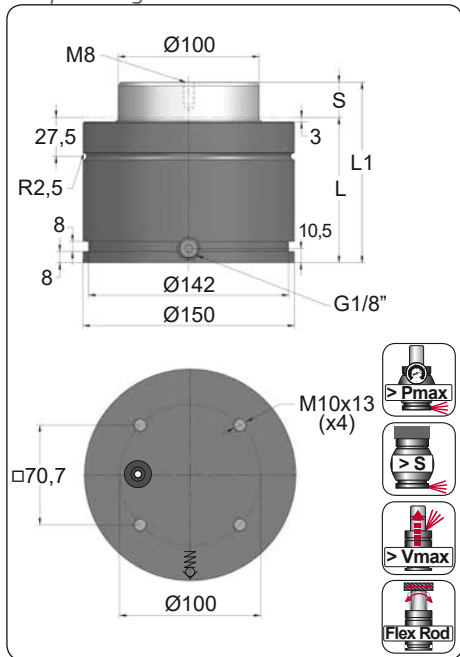
## D67-150



CODE	CW 9500 050	KIT S-XXXXXXX KIT C-XXXXXXX	D02-150	18 CG 1-Q
ENG ORDER	GAS SPRING	REPAIR KIT	FLANGE	CHARGING ADAPTER
DEU BESTELLUNG	GASDRUCKFEDER	ERSATZTEILSATZ	FLANSCHEN	LADEADAPTER
FRA COMMANDE	RESSORT À GAZ	KIT DE RÉPARATION	BRIDE	RACCORD DE CHARGE
ITA ORDINE	CILINDRO AD AZOTO	KIT DI MANUTENZIONE	FLANGE	ADATTATORE DI CARICO
ESP PEDIDO	RESORTE DE GAS	KIT DE REPARACION	BRIDA	ADAPTADOR DE CARGA
POR PEDIDO	CILINDRO DE GÁS	KIT DE MANUTENÇÃO	FLANGE	ADAPTADOR DE CARGA

# CW 11800

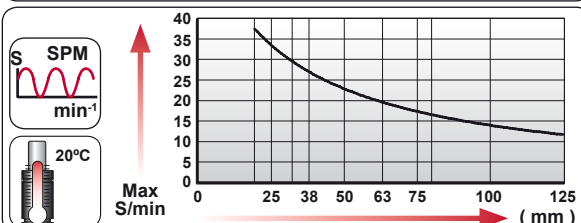
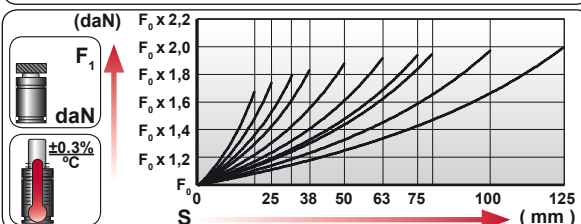
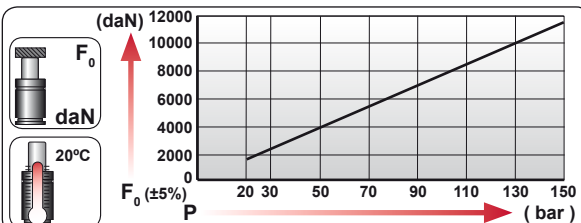
Compact Height



ORDER	S (mm)	L1 ±0.25 (mm)	L (mm)	Kg.
CW 11800 019	19	116	97	9.61
CW 11800 025	25	128	103	10.03
CW 11800 032	32	142	110	10.51
CW 11800 038	38	154	116	10.93
CW 11800 050	50	178	128	11.76
CW 11800 063	63	204	141	12.66
CW 11800 075	75	228	153	13.49
CW 11800 080	80	238	158	13.84
CW 11800 100	100	278	178	15.23
CW 11800 125	125	328	203	16.96



CODE	Pressure Gauge	bar	psi	F <sub>0</sub> daN	F <sub>1</sub> daN
CW 11800 050		150	2175	11780	22125
CW-H 11800 050		0	0	---	---



**EQUIPPED WITH VDI - SAFETY**

ENG	ORDER		
DEU	BESTELLUNG	daN	mm
FRA	COMMANDE		
ITA	ORDINE		
ESP	PEDIDO		
POR	PEDIDO		

**CW 11800 050**      **11800**      **50**

--	--	--	--	--	--	--	--

N <sub>2</sub>	S <sub>max</sub> < 90%	V <sub>max</sub> 1,6 m/s	bar psi	bar psi	°C °F	°C °F	600 CP-
			20 290	150 2175	0 32	80 176	

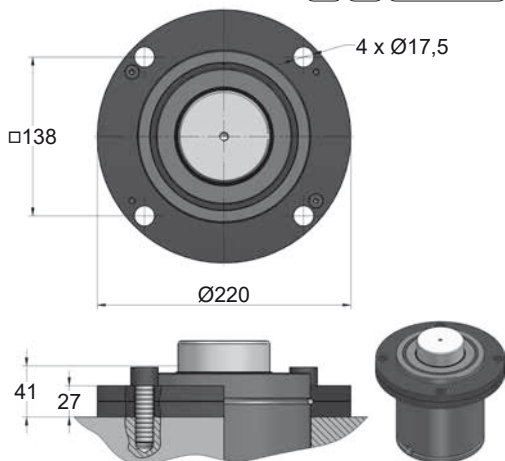


# CW 11800 MOUNTS

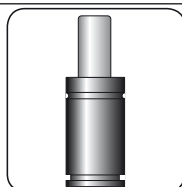
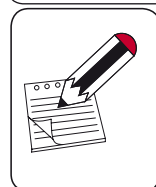
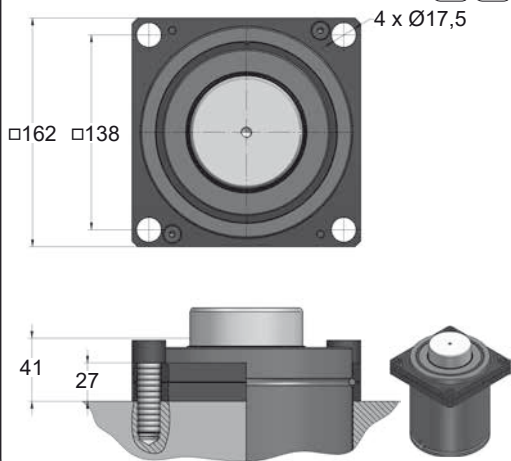
Compact Height

	50			50	50			50
	<b>Ø150</b>			<b>Ø150</b>	<b>Ø150</b>			<b>Ø150</b>
	<b>L1=178</b>			<b>L1=205</b>	<b>L1=255</b>			<b>L1=270</b>
	<b>L1=178</b>			<b>L1=236</b>				
	<b>L1=178</b>			<b>L1=255</b>				
<b>MODEL</b>	<b>X</b>	CW 9500 CW 11800 KT 9500	<b>X</b>	<b>X</b>	GN 7500 CM 10000 CD 9600	AG 7500	<b>X</b>	CS 18300
<b>SERIES</b>	MINI	COMPACT HEIGHT	THREADED	LOW PROFILE	HEAVY DUTY	ISO	HEAVY LOAD	POWER COMPACT STROKE

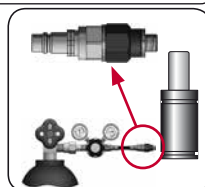
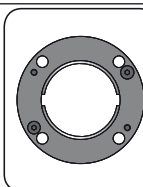
## A14-150



## A34-150



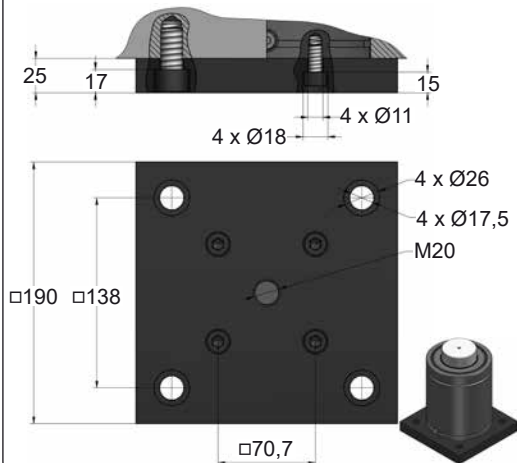
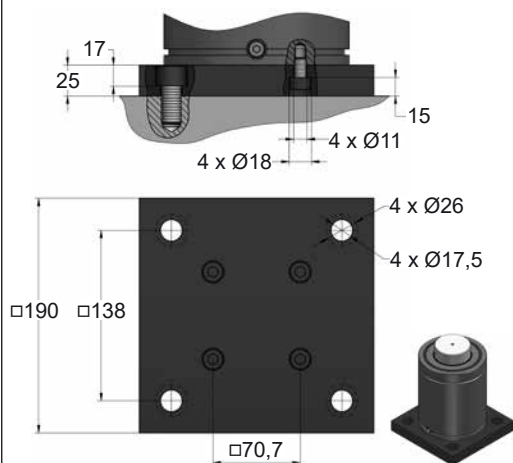
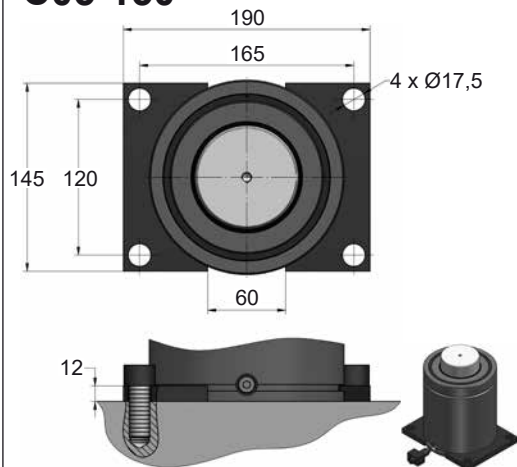
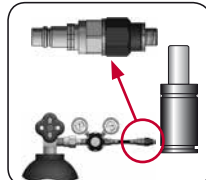
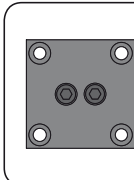
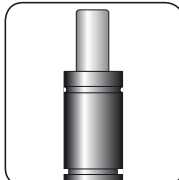
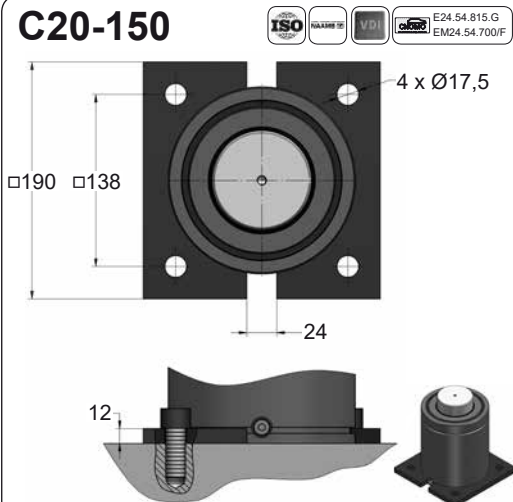
**SEAL KIT S-XXXXXXX**  
**CARTRIDGE KIT C-XXXXXXX**



<b>CODE</b>	<b>CW 11800 050</b>	<b>KIT S-XXXXXXX</b> <b>KIT C-XXXXXXX</b>	<b>A14-150</b>	<b>18 CG 1-Q</b>
ENG ORDER	GAS SPRING	REPAIR KIT	FLANGE	CHARGING ADAPTER
DEU BESTELLUNG	GASDRUCKFEDER	ERSATZTEILSATZ	FLANSCHEN	LADEADAPTER
FRA COMMANDE	RESSORT À GAZ	KIT DE RÉPARATION	BRIDE	RACCORD DE CHARGE
ITA ORDINE	CILINDRO AD AZOTO	KIT DI MANUTENZIONE	FLANGE	ADATTATORE DI CARICO
ESP PEDIDO	RESORTE DE GAS	KIT DE REPARACION	BRIDA	ADAPTADOR DE CARGA
POR PEDIDO	CILINDRO DE GÁS	KIT DE MANUTENÇÃO	FLANGE	ADAPTADOR DE CARGA

**CW 11800 MOUNTS**

Compact Height

**AZOL  
GAS** **B36-150****B41-150****C05-150****C20-150**

CODE	CW 11800 050	KIT S-XXXXXXX KIT C-XXXXXXX	B36-150	18 CG 1-Q
ENG	ORDER	GAS SPRING	FLANGE	CHARGING ADAPTER
DEU	BESTELLUNG	GASDRUCKFEDER	FLANSCHEN	LADEADAPTER
FRA	COMMANDE	RESSORT À GAZ	BRIDE	RACCORD DE CHARGE
ITA	ORDINE	CILINDRO AD AZOTO	FLANGE	ADATTATORE DI CARICO
ESP	PEDIDO	RESORTE DE GAS	BRIDA	ADAPTADOR DE CARGA
POR	PEDIDO	CILINDRO DE GÁS	FLANGE	ADAPTADOR DE CARGA





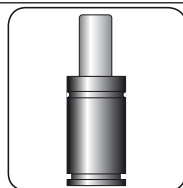
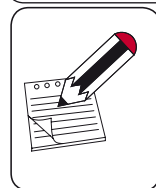
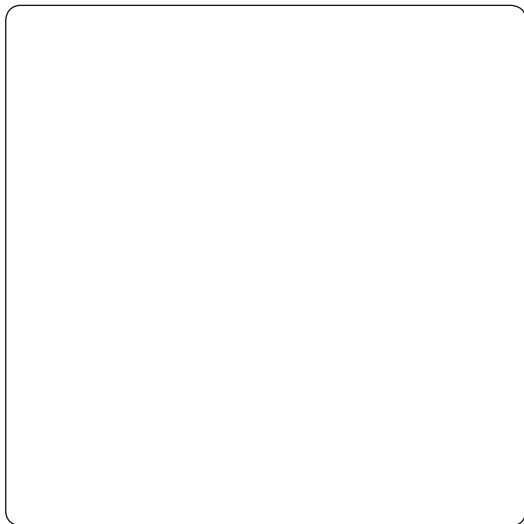
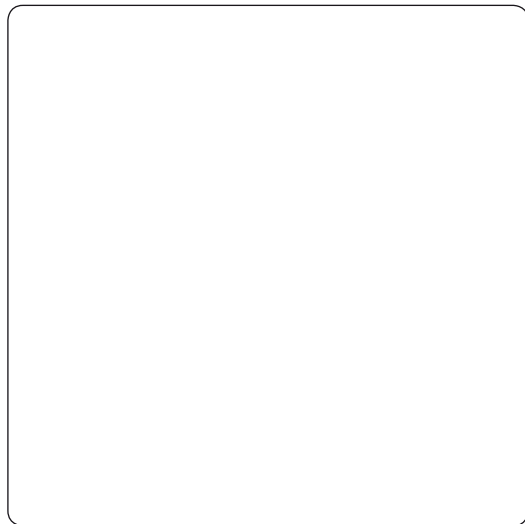
# CW 11800 MOUNTS

Compact Height

## D02-150

2 x Ø13,5

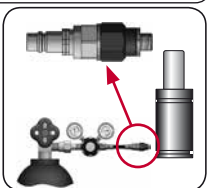
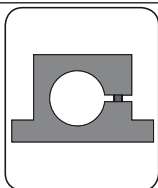
## D67-150



**SEAL KIT S-XXXXXXX**

**CARTRIDGE KIT C-XXXXXXX**

AG 750 150  
2150252  
7/23CE art.3  
XXXXXX  
Made in Spain (2175)  
www.azolgas.com

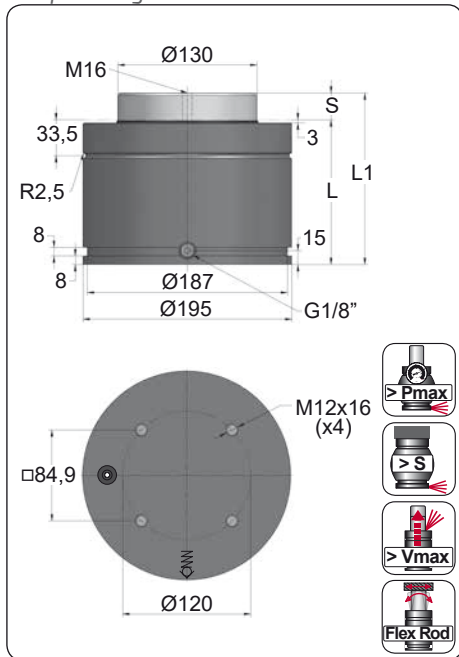


CODE	CW 11800 050	KIT S-XXXXXXX KIT C-XXXXXXX	D02-150	18 CG 1-Q
ENG ORDER	GAS SPRING	REPAIR KIT	FLANGE	CHARGING ADAPTER
DEU BESTELLUNG	GASDRUCKFEDER	ERSATZTEILSATZ	FLANSCHEN	LADEADAPTER
FRA COMMANDE	RESSORT À GAZ	KIT DE RÉPARATION	BRIDE	RACCORD DE CHARGE
ITA ORDINE	CILINDRO AD AZOTO	KIT DI MANUTENZIONE	FLANGE	ADATTATORE DI CARICO
ESP PEDIDO	RESORTE DE GAS	KIT DE REPARACION	BRIDA	ADAPTADOR DE CARGA
POR PEDIDO	CILINDRO DE GÁS	KIT DE MANUTENÇÃO	FLANGE	ADAPTADOR DE CARGA

# CW 20000

Compact Height

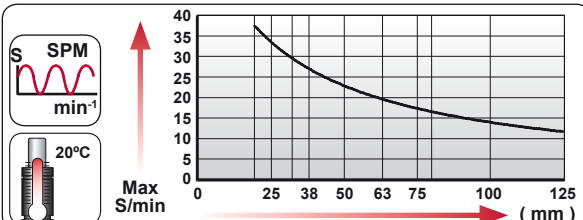
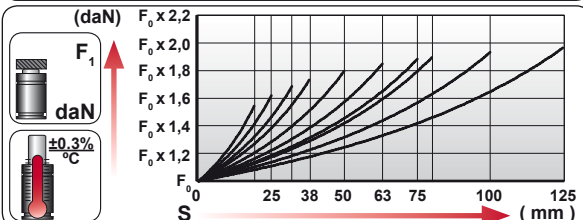
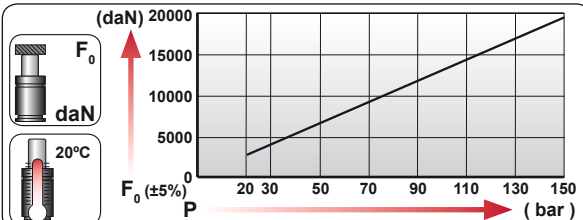
	GM	90.25.08



ORDER	S (mm)	L1 ±0.25 (mm)	L (mm)	Kg.
CW 20000 019	19	148	129	22.33
CW 20000 025	25	160	135	23.04
CW 20000 032	32	174	142	23.88
CW 20000 038	38	186	148	24.59
CW 20000 050	50	210	160	26.02
CW 20000 063	63	236	173	27.57
CW 20000 075	75	260	185	29.00
CW 20000 080	80	270	190	29.60
CW 20000 100	100	310	210	31.98
CW 20000 125	125	360	235	34.96



CODE	Pressure Gauge	bar	psi	F <sub>0</sub> daN	F <sub>1</sub> daN
CW 20000 050		150	2175	19910	35790
CW-H 20000 050		0	0	---	---



**EQUIPPED WITH VDI - SAFETY**

Language	Order Code	F <sub>0</sub> daN	S mm
ENG ORDER	20000	20000	50
DEU BESTELLUNG			
FRA COMMANDE			
ITA ORDINE			
ESP PEDIDO			
POR PEDIDO			

--	--	--	--	--	--	--	--

N <sub>2</sub>	Smax < 90%	Vmax 1,6 m/s	bar psi	bar psi	°C °F	°C °F	600 CP-
			20 290	150 2175	0 32	80 176	

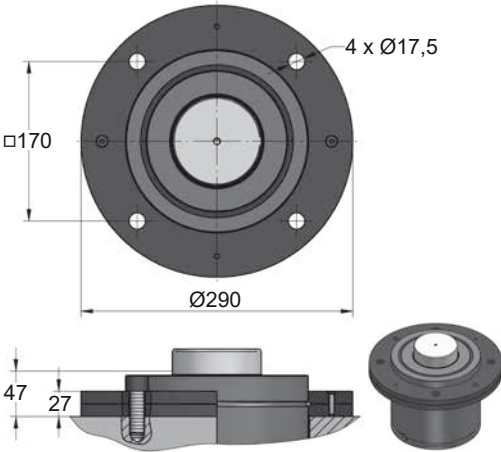


# CW 20000 MOUNTS

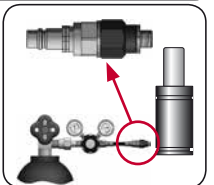
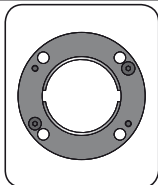
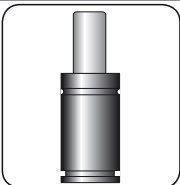
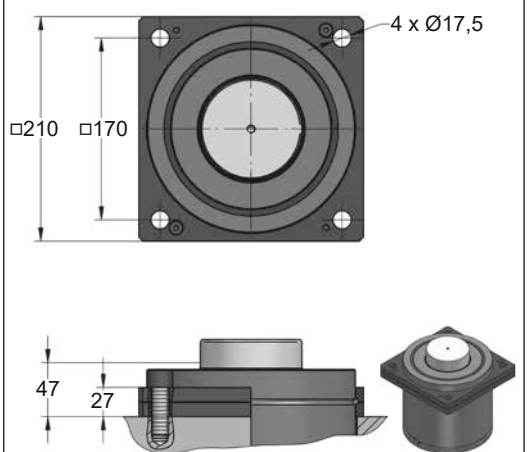
Compact Height

	<b>50</b>			<b>50</b>	<b>50</b>			
	<b>Ø195</b>			<b>Ø195</b>	<b>Ø195</b>			
	<b>L1=210</b>			<b>L1=260</b>	<b>L1=260</b>			
<b>MODEL</b>	<b>X</b>	<b>CW 20000</b>	<b>X</b>	<b>X</b>	<b>CD 18500</b>	<b>AG 10000</b>	<b>X</b>	<b>X</b>
<b>SERIES</b>	<b>MINI</b>	<b>COMPACT HEIGHT</b>	<b>THREADED</b>	<b>LOW PROFILE</b>	<b>HEAVY DUTY</b>	<b>ISO</b>	<b>HEAVY LOAD</b>	<b>POWER COMPACT STROKE</b>

## A14-195



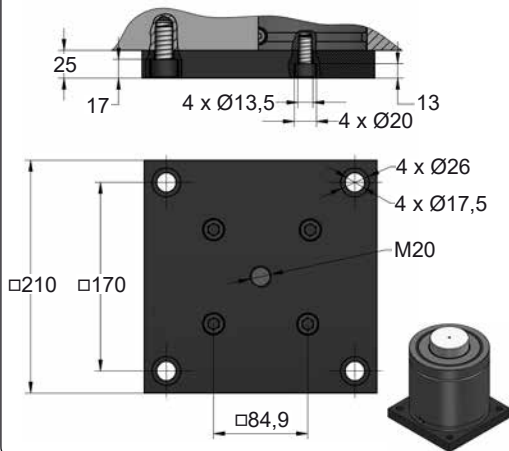
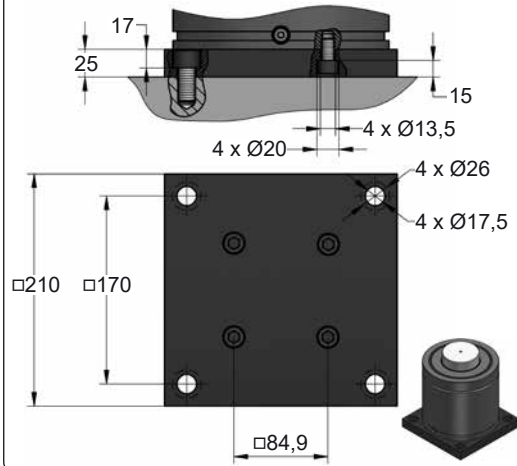
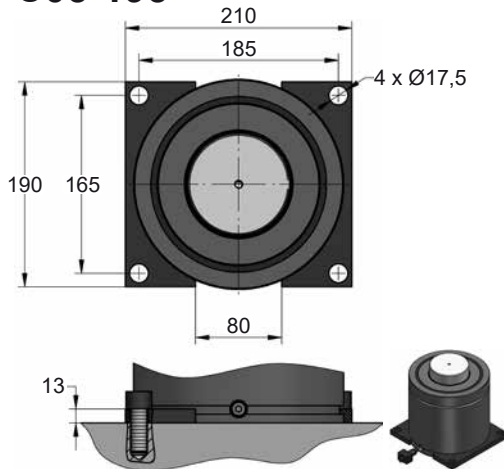
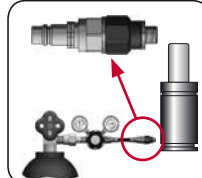
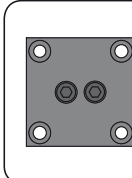
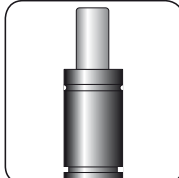
## A34-195



<b>CODE</b>	<b>CW 20000 050</b>	<b>KIT S-XXXXXXX</b> <b>KIT C-XXXXXXX</b>	<b>A14-195</b>	<b>18 CG 1-Q</b>
ENG ORDER	GAS SPRING	REPAIR KIT	FLANGE	CHARGING ADAPTER
DEU BESTELLUNG	GASDRUCKFEDER	ERSATZTEILSATZ	FLANSCHEN	LADEADAPTER
FRA COMMANDE	RESSORT À GAZ	KIT DE RÉPARATION	BRIDE	RACCORD DE CHARGE
ITA ORDINE	CILINDRO AD AZOTO	KIT DI MANUTENZIONE	FLANGE	ADATTATORE DI CARICO
ESP PEDIDO	RESORTE DE GAS	KIT DE REPARACION	BRIDA	ADAPTADOR DE CARGA
POR PEDIDO	CILINDRO DE GÁS	KIT DE MANUTENÇÃO	FLANGE	ADAPTADOR DE CARGA

**CW 20000 MOUNTS**

Compact Height

**AZOL  
GAS****B36-195****B41-195****C05-195****C20-195**

CODE	CW 20000 050	KIT S-XXXXXXX KIT C-XXXXXXX	B36-195	18 CG 1-Q
ENG ORDER	GAS SPRING	REPAIR KIT	FLANGE	CHARGING ADAPTER
DEU BESTELLUNG	GASDRUCKFEDER	ERSATZTEILSATZ	FLANSCH	LADEADAPTER
FRA COMMANDE	RESSORT À GAZ	KIT DE RÉPARATION	BRIDE	RACCORD DE CHARGE
ITA ORDINE	CILINDRO AD AZOTO	KIT DI MANUTENZIONE	FLANGE	ADATTATORE DI CARICO
ESP PEDIDO	RESORTE DE GAS	KIT DE REPARACION	BRIDA	ADAPTADOR DE CARGA
POR PEDIDO	CILINDRO DE GÁS	KIT DE MANUTENÇÃO	FLANGE	ADAPTADOR DE CARGA

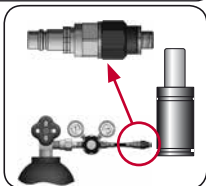
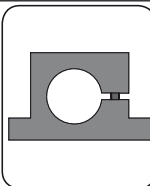
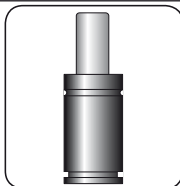
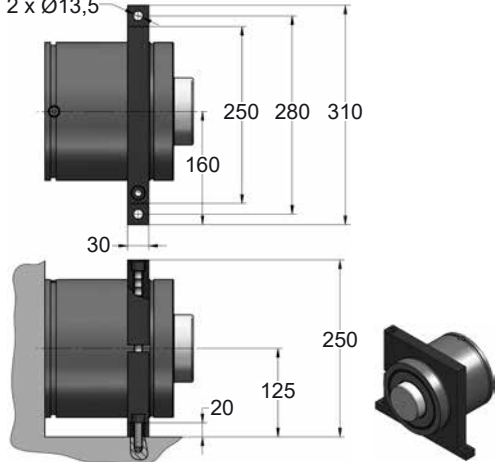


# CW 2000 MOUNTS

Compact Height

## D02-195

2 x Ø13,5



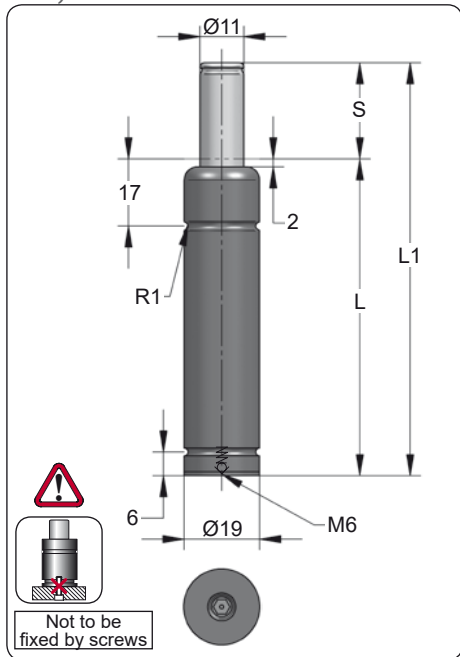
CODE	CW 2000 050	KIT S-XXXXXXX KIT C-XXXXXXX	D02-195	18 CG 1-Q
ENG ORDER	GAS SPRING	REPAIR KIT	FLANGE	CHARGING ADAPTER
DEU BESTELLUNG	GASDRUCKFEDER	ERSATZTEILSATZ	FLANSCHEN	LADEADAPTER
FRA COMMANDE	RESSORT À GAZ	KIT DE RÉPARATION	BRIDE	RACCORD DE CHARGE
ITA ORDINE	CILINDRO AD AZOTO	KIT DI MANUTENZIONE	FLANGE	ADATTATORE DI CARICO
ESP PEDIDO	RESORTE DE GAS	KIT DE REPARACION	BRIDA	ADAPTADOR DE CARGA
POR PEDIDO	CILINDRO DE GÁS	KIT DE MANUTENÇÃO	FLANGE	ADAPTADOR DE CARGA





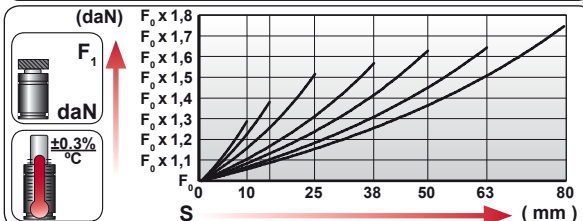
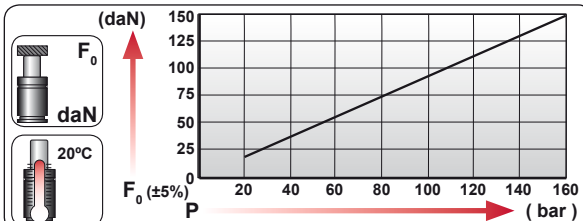
# CP 150 V1

Heavy Load

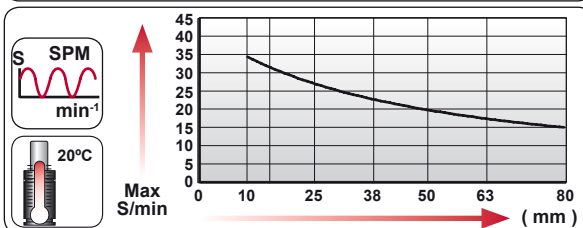


ORDER	S (mm)	L1 ±0,25 (mm)	L (mm)	Kg.
CP 150 010 V1	10	75	65	0.08
CP 150 015 V1	15	85	70	0.09
CP 150 025 V1	25	105	80	0.10
CP 150 038 V1	38	135	97	0.12
CP 150 050 V1	50	160	110	0.14
CP 150 063 V1	63	190	127	0.16
CP 150 080 V1	80	220	140	0.18

CODE				
	bar	psi	daN	daN
CP 150 050 V1	160	2320	150	245
-----	---	---	---	---



ENG ORDER	DEU BESTELLUNG	FRA COMMANDE	ITA ORDINE	ESP PEDIDO	POR PEDIDO
CP	150	50			
CP 150 050 V1					



--	--	--	--	--	--	--	--

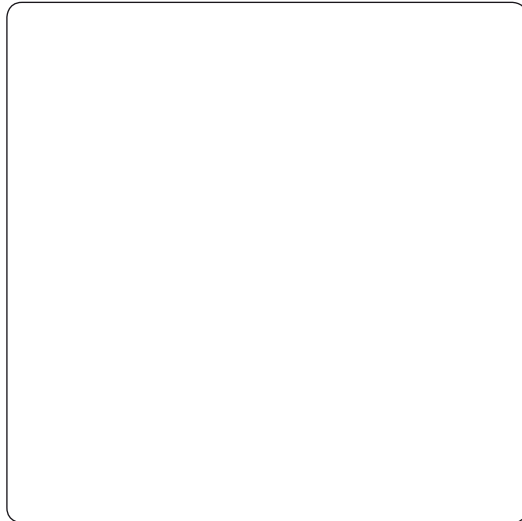
N <sub>2</sub>	S <sub>max</sub> < 90%	V <sub>max</sub> 0,5 m/s	bar psi	bar psi	°C °F	°C °F	✗
			20 290	160 2320	0 32	80 176	



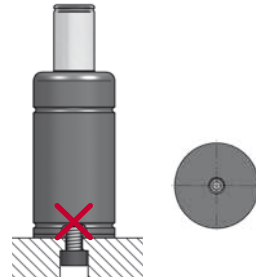
# CP 150 V1 MOUNTS

Heavy Load

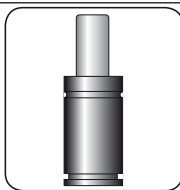
<b>MODEL</b>	AFJ	CW 170	<b>X</b>	<b>X</b>	<b>X</b>	<b>X</b>	CP 150	<b>X</b>
<b>SERIES</b>	MINI 	COMPACT HEIGHT 	THREADED 	LOW PROFILE 	HEAVY DUTY 	ISO 	HEAVY LOAD 	POWER COMPACT STROKE 



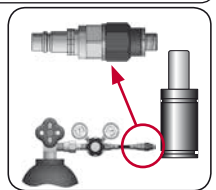
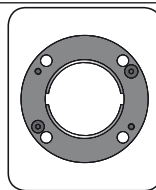
## Single base thread



Gas springs with only a single base thread should not be mounted by screws.



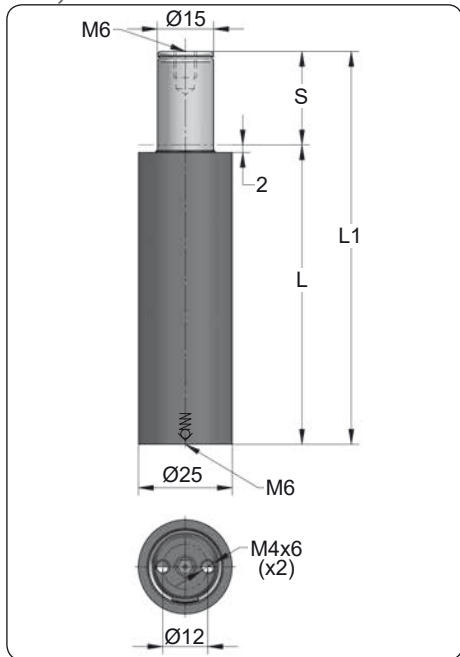
**SEAL KIT S-XXXXXXX**



<b>CODE</b>	CP 150 050 V1	<b>X</b>	<b>X</b>	06 CG 2-Q
ENG ORDER	GAS SPRING	REPAIR KIT	FLANGE	CHARGING ADAPTER
DEU BESTELLUNG	GASDRUCKFEDER	ERSATZTEILSATZ	FLANSCHEN	LADEADAPTER
FRA COMMANDE	RESSORT À GAZ	KIT DE RÉPARATION	BRIDE	RACCORD DE CHARGE
ITA ORDINE	CILINDRO AD AZOTO	KIT DI MANUTENZIONE	FLANGE	ADATTATORE DI CARICO
ESP PEDIDO	RESORTE DE GAS	KIT DE REPARACION	BRIDA	ADAPTADOR DE CARGA
POR PEDIDO	CILINDRO DE GÁS	KIT DE MANUTENÇÃO	FLANGE	ADAPTADOR DE CARGA

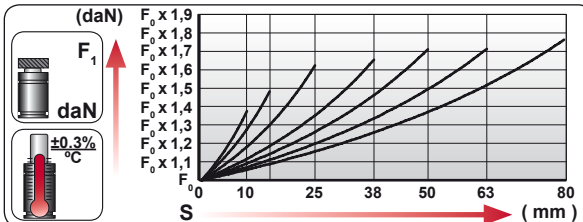
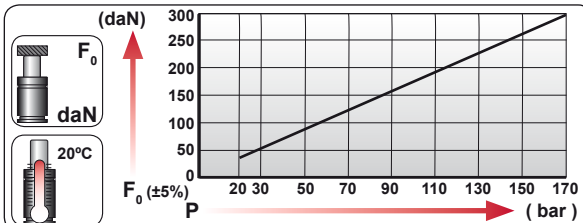
# CP 300 V1

Heavy Load

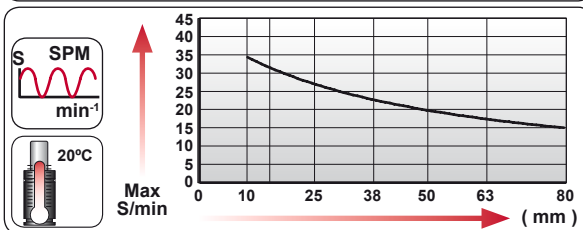



ORDER	S (mm)	L1 ±0,25 (mm)	L (mm)	Kg.
CP 300 010 V1	10	75	65	0.19
CP 300 015 V1	15	85	70	0.20
CP 300 025 V1	25	105	80	0.22
CP 300 038 V1	38	130	92	0.26
CP 300 050 V1	50	155	105	0.29
CP 300 063 V1	63	185	122	0.33
CP 300 080 V1	80	220	140	0.38

CODE					
		bar	psi	daN	daN
CP 300 050 V1		170	2465	300	515
-----		---	---	---	---



	ENG ORDER DEU BESTELLUNG FRA COMMANDE ITA ORDINE ESP PEDIDO POR PEDIDO	daN mm
	CP 300 50	
	CP 300 050 V1	



	Smax < 90%	Vmax 0,5 m/s	Pmin (20°C) Pmax (20°C)	Tmin Tmax	
--	------------	--------------	----------------------------	--------------	--

N <sub>2</sub>	Smax < 90%	Vmax 0,5 m/s	bar psi	bar psi	°C °F	°C °F	
			20 290	170 2465	0 32	80 176	

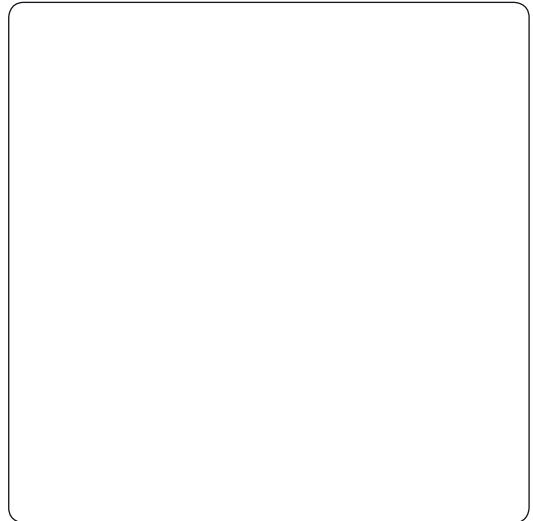


# CP 300 V1 MOUNTS

Heavy Load

	50	50		50	50		50	50
	Ø25	Ø25		Ø25	Ø25		Ø25	Ø25
	L1=142	L1=130		L1=132 L1=133	L1=160		L1=160	L1=195
MODEL	AFC 200	CW 320	<b>X</b>	CK 200 CT 200	CM 200	<b>X</b>	CP 300	CS 420
SERIES	MINI 	COMPACT HEIGHT 	THREADED 	LOW PROFILE 	HEAVY DUTY 	ISO 	HEAVY LOAD 	POWER COMPACT STROKE 

When using CP series mounted by screws the gas spring must be supported at all the times.  
A flat support surface in contact with the whole surface of the gas spring body is always required.

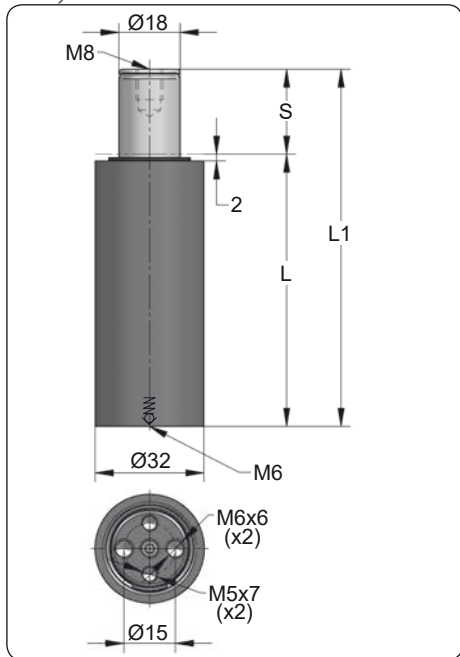


--	--	--	--	--

CODE	CP 300 050 V1	KIT S-XXXXXXX	<b>X</b>	06 CG 2-Q
ENG ORDER	GAS SPRING	REPAIR KIT	FLANGE	CHARGING ADAPTER
DEU BESTELLUNG	GASDRUCKFEDER	ERSATZTEILSATZ	FLANSCHEN	LADEADAPTER
FRA COMMANDE	RESSORT À GAZ	KIT DE RÉPARATION	BRIDE	RACCORD DE CHARGE
ITA ORDINE	CILINDRO AD AZOTO	KIT DI MANUTENZIONE	FLANGE	ADATTATORE DI CARICO
ESP PEDIDO	RESORTE DE GAS	KIT DE REPARACION	BRIDA	ADAPTADOR DE CARGA
POR PEDIDO	CILINDRO DE GÁS	KIT DE MANUTENÇÃO	FLANGE	ADAPTADOR DE CARGA

# CP 500 V1

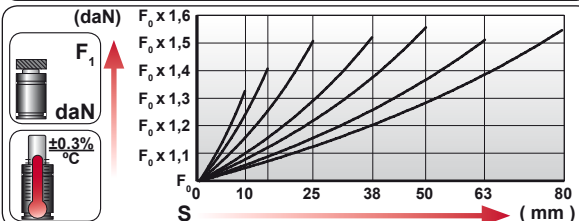
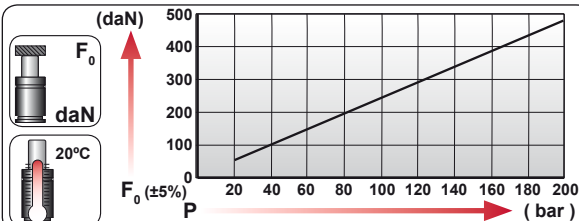
Heavy Load



ORDER	S (mm)	L1 ±0,25 (mm)	L (mm)	Kg.
CP 500 010 V1	10	75	65	0.31
CP 500 015 V1	15	85	70	0.32
CP 500 025 V1	25	105	80	0.36
CP 500 038 V1	38	130	92	0.41
CP 500 050 V1	50	155	105	0.46
CP 500 063 V1	63	190	127	0.53
CP 500 080 V1	80	225	145	0.60



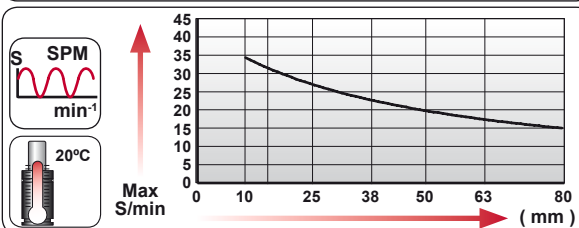
CODE				
		bar	psi	daN
CP 500 050 V1		190	2755	485
-----		---	---	---



ENG ORDER  
 DEU BESTELLUNG  
 FRA COMMANDE  
 ITA ORDINE  
 ESP PEDIDO  
 POR PEDIDO

**F<sub>0</sub>** daN  
**S** mm

**CP 500 50**  
**CP 500 050 V1**



N <sub>2</sub>	S <sub>max</sub> < 90%	V <sub>max</sub> 0,5 m/s	P <sub>min</sub> (20°C)	P <sub>max</sub> (20°C)	T <sub>min</sub>	T <sub>max</sub>	

bar	psi	bar	psi	°C	°F	°C	°F	<b>X</b>
20	290	200	2900	0	32	80	176	

# CP 500 V1 MOUNTS

Heavy Load

<b>MODEL</b>	AFT	CW 350 KZ 350	<b>X</b>	CT 300 CK 300	CM 350 CD 300	AG 150	<b>CP 500</b>	CS 770
<b>SERIES</b>	MINI	COMPACT HEIGHT	THREADED	LOW PROFILE	HEAVY DUTY	ISO	HEAVY LOAD	POWER COMPACT STROKE

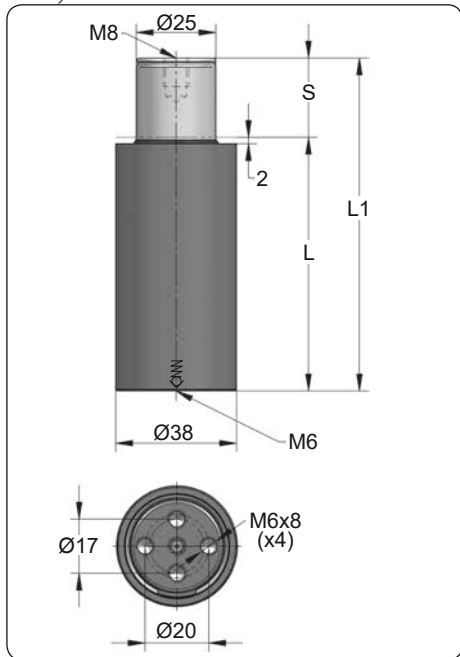
When using CP series mounted by screws the gas spring must be supported at all the times. A flat support surface in contact with the whole surface of the gas spring body is always required.

--	--	--	--	--

<b>CODE</b>	<b>CP 500 050 V1</b>	<b>KIT S-XXXXXXX</b>	<b>X</b>	<b>06 CG 2-Q</b>
ENG ORDER	GAS SPRING	REPAIR KIT	FLANGE	CHARGING ADAPTER
DEU BESTELLUNG	GASDRUCKFEDER	ERSATZTEILSATZ	FLANSCHEN	LADEADAPTER
FRA COMMANDE	RESSORT À GAZ	KIT DE RÉPARATION	BRIDE	RACCORD DE CHARGE
ITA ORDINE	CILINDRO AD AZOTO	KIT DI MANUTENZIONE	FLANGE	ADATTATORE DI CARICO
ESP PEDIDO	RESORTE DE GAS	KIT DE REPARACION	BRIDA	ADAPTADOR DE CARGA
POR PEDIDO	CILINDRO DE GÁS	KIT DE MANUTENÇÃO	FLANGE	ADAPTADOR DE CARGA

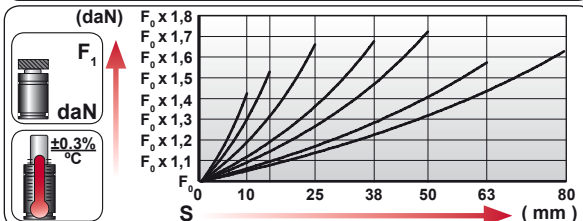
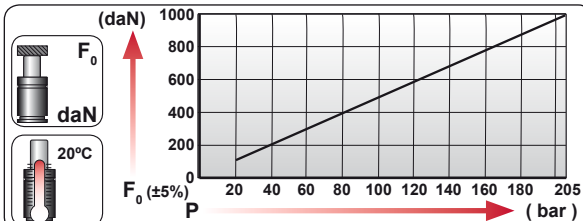
# CP 1000 V1

Heavy Load



ORDER	S (mm)	L1 ±0,25 (mm)	L (mm)	Kg.
CP 1000 010 V1	10	75	65	0.43
CP 1000 015 V1	15	85	70	0.45
CP 1000 025 V1	25	105	80	0.51
CP 1000 038 V1	38	135	97	0.58
CP 1000 050 V1	50	160	110	0.65
CP 1000 063 V1	63	205	142	0.77
CP 1000 080 V1	80	240	160	0.86

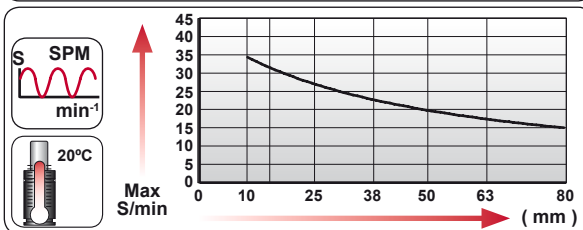
CODE				
		bar	psi	daN
CP 1000 050 V1		195	2830	960
-----		-----	-----	-----



ENG ORDER  
 DEU BESTELLUNG  
 FRA COMMANDE  
 ITA ORDINE  
 ESP PEDIDO  
 POR PEDIDO

$F_0$  daN  
 S mm

CP 1000 50  
**CP 1000 050 V1**



N <sub>2</sub>	S <sub>max</sub> < 90%	V <sub>max</sub> 0,5 m/s	P <sub>min</sub> (20°C)	P <sub>max</sub> (20°C)	T <sub>min</sub>	T <sub>max</sub>	

bar	psi	bar	psi	°C	°F	°C	°F	<b>X</b>
20	290	205	2975	0	32	80	176	

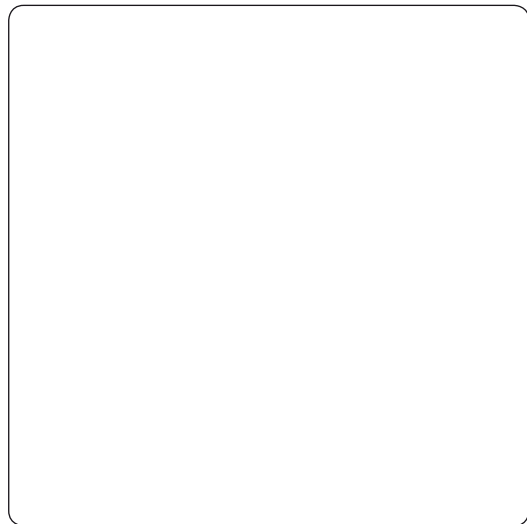


# CP 1000 V1 MOUNTS

Heavy Load

s mm mm L1 mm	50 50 50 50 50 50 50	50 50 50 50 50 50	50 50 50 50 50 50	50 50 50 50 50 50	50 50 50 50 50 50	50 50 50 50 50 50	50 50 50 50 50 50	50 50 50 50 50 50
MODEL	<b>X</b>	CW 500 KZ 500	AS 300	CT 550 CK 570	CM 500 CD 500	AG 250	CPH 850 CP 1000	CS 1000
SERIES	MINI 	COMPACT HEIGHT 	THREADED 	LOW PROFILE 	HEAVY DUTY 	ISO 	HEAVY LOAD 	POWER COMPACT STROKE 

When using CP series mounted by screws the gas spring must be supported at all the times.  
A flat support surface in contact with the whole surface of the gas spring body is always required.

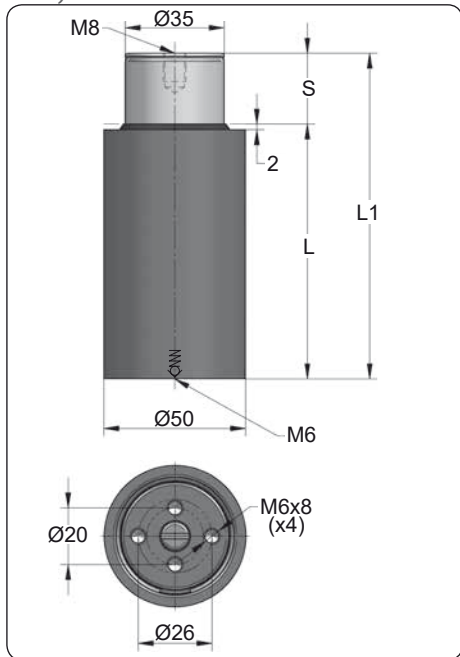


		<b>SEAL KIT S-XXXXXXX</b>		
--	--	---------------------------	--	--

CODE	CP 1000 050 V1	KIT S-XXXXXXX	<b>X</b>	06 CG 2-Q
ENG ORDER	GAS SPRING	REPAIR KIT	FLANGE	CHARGING ADAPTER
DEU BESTELLUNG	GASDRUCKFEDER	ERSATZTEILSATZ	FLANSCHEN	LADEADAPTER
FRA COMMANDE	RESSORT À GAZ	KIT DE RÉPARATION	BRIDE	RACCORD DE CHARGE
ITA ORDINE	CILINDRO AD AZOTO	KIT DI MANUTENZIONE	FLANGE	ADATTATORE DI CARICO
ESP PEDIDO	RESORTE DE GAS	KIT DE REPARACION	BRIDA	ADAPTADOR DE CARGA
POR PEDIDO	CILINDRO DE GÁS	KIT DE MANUTENÇÃO	FLANGE	ADAPTADOR DE CARGA

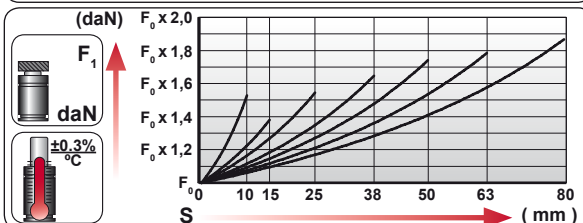
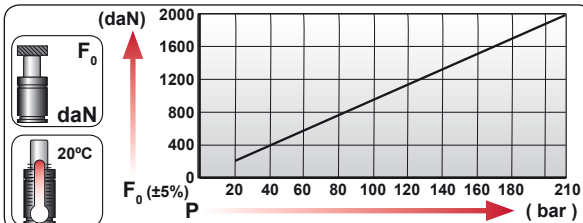
# CP 2000 V1

Heavy Load

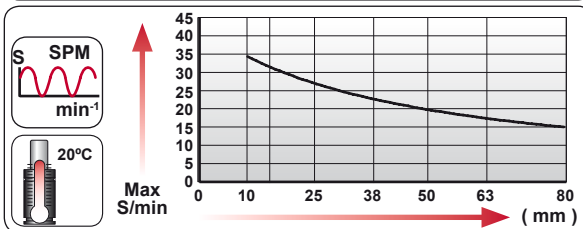



ORDER	S (mm)	L1 ±0,25 (mm)	L (mm)	Kg.
CP 2000 010 V1	10	80	70	0.87
CP 2000 015 V1	15	95	80	0.94
CP 2000 025 V1	25	115	90	1.04
CP 2000 038 V1	38	150	112	1.22
CP 2000 050 V1	50	175	125	1.35
CP 2000 063 V1	63	205	142	1.50
CP 2000 080 V1	80	245	165	1.70

CODE				
	bar	psi	daN	daN
CP 2000 050 V1	200	2900	1925	3350
-----	-----	-----	-----	-----



	ENG ORDER DEU BESTELLUNG FRA COMMANDE ITA ORDINE ESP PEDIDO POR PEDIDO		
		daN	mm
	CP 2000 50		
	CP 2000 050 V1		



N <sub>2</sub>	S <sub>max</sub> < 90%	V <sub>max</sub> 0,5 m/s	P <sub>min</sub> (20°C)	P <sub>max</sub> (20°C)	T <sub>min</sub>	T <sub>max</sub>	

N <sub>2</sub>	S <sub>max</sub> < 90%	V <sub>max</sub> 0,5 m/s	bar psi	bar psi	°C °F	°C °F	°C °F	
			20 290	210 3045	0 32	80 176		



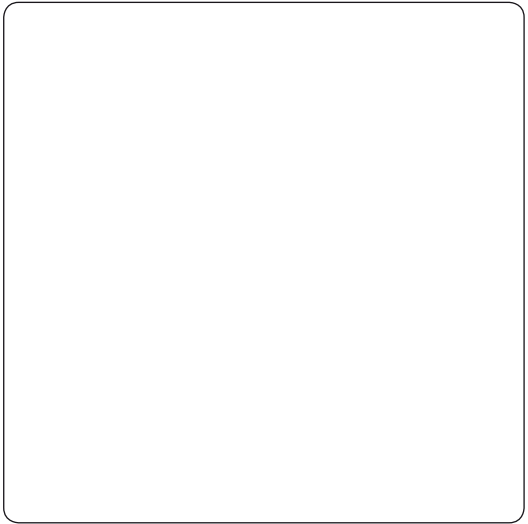
# CP 2000 V1 MOUNTS

Heavy Load

<b>MODEL</b>	<b>X</b> CW 1000 KZ 1000	<b>X</b>	CT 1000 CK 1000 FD 750	GN 750 CM 1000 CD 1000	AG 750	CPH 1700 CP 2000	CS 1800	
<b>SERIES</b>	MINI 	COMPACT HEIGHT 	THREADED 	LOW PROFILE 	HEAVY DUTY 	ISO 	HEAVY LOAD 	POWER COMPACT STROKE 

**WARNING!**

When using CP series mounted by screws the gas spring must be supported at all the times.  
A flat support surface in contact with the whole surface of the gas spring body is always required.



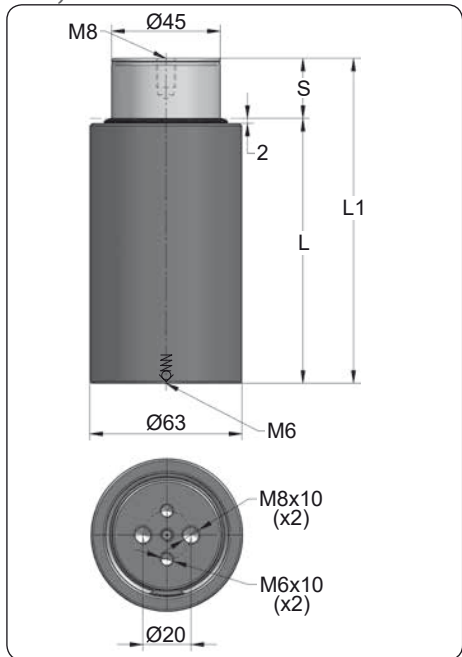
--	--	--	--	--

<b>CODE</b>	<b>CP 2000 050 V1</b>	<b>KIT S-XXXXXXX</b>	<b>X</b>	<b>06 CG 2-Q</b>
ENG ORDER	GAS SPRING	REPAIR KIT	FLANGE	CHARGING ADAPTER
DEU BESTELLUNG	GASDRUCKFEDER	ERSATZTEILSATZ	FLANSCHEN	LADEADAPTER
FRA COMMANDE	RESSORT À GAZ	KIT DE RÉPARATION	BRIDE	RACCORD DE CHARGE
ITA ORDINE	CILINDRO AD AZOTO	KIT DI MANUTENZIONE	FLANGE	ADATTATORE DI CARICO
ESP PEDIDO	RESORTE DE GAS	KIT DE REPARACION	BRIDA	ADAPTADOR DE CARGA
POR PEDIDO	CILINDRO DE GÁS	KIT DE MANUTENÇÃO	FLANGE	ADAPTADOR DE CARGA

# CP 3000 V1

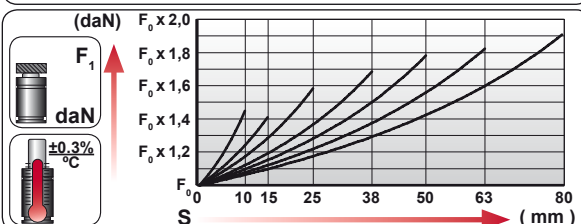
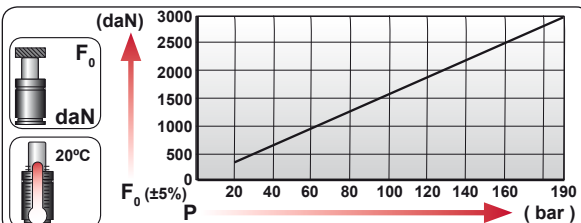
Heavy Load



ORDER	S (mm)	L1 ±0,25 (mm)	L (mm)	Kg.
CP 3000 010 V1	10	95	85	1.71
CP 3000 015 V1	15	115	100	1.88
CP 3000 025 V1	25	135	110	2.04
CP 3000 038 V1	38	165	127	2.29
CP 3000 050 V1	50	190	140	2.49
CP 3000 063 V1	63	220	157	2.73
CP 3000 080 V1	80	255	175	3.01

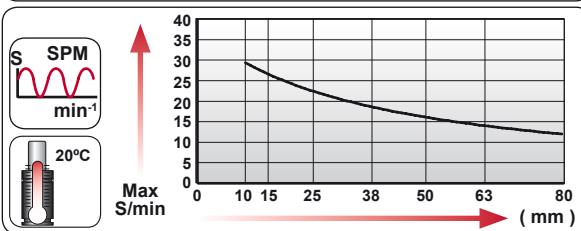
CODE				
		bar	psi	daN
CP 3000 050 V1		180	2610	2860
-----		---	---	---



	ENG ORDER		
	DEU BESTELLUNG	daN	mm
	FRA COMMANDE		
	ITA ORDINE		
	ESP PEDIDO		
POR PEDIDO			

CP 3000 50

CP 3000 050 V1



N <sub>2</sub>	S <sub>max</sub> < 90%	V <sub>max</sub> 0,5 m/s	P <sub>min</sub> (20°C)	P <sub>max</sub> (20°C)	T <sub>min</sub>	T <sub>max</sub>	

bar	psi	bar	psi	°C	°F	°C	°F	<b>X</b>
20	290	190	2755	0	32	80	176	

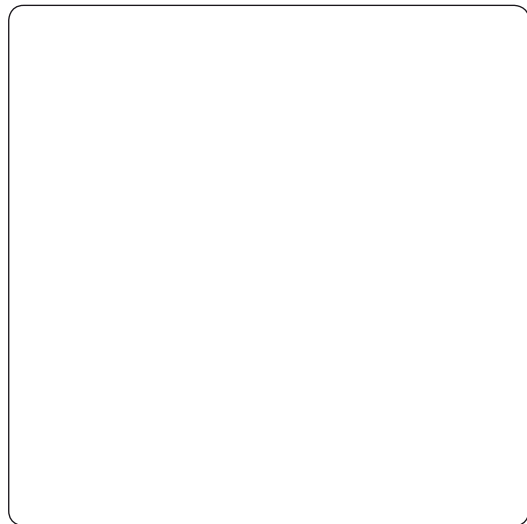


# CP 3000 V1 MOUNTS

Heavy Load

	<b>Ø63</b>	<b>Ø63</b>	<b>Ø63</b>	<b>Ø63</b>	<b>Ø63</b>	<b>Ø63</b>	<b>Ø63</b>	
	<b>L1=144</b> <b>L1=152</b>	<b>L1=152</b> <b>L1=160</b>	<b>L1=185</b> <b>L1=195</b>	<b>L1=175</b> <b>L1=190</b>	<b>L1=205</b>			
<b>MODEL</b>	<b>X</b> CW 1500 KZ 1500	<b>X</b> CT 1500 CK 1500	<b>X</b> CM 1500 CD 1500	<b>X</b> CPH 2800 CP 3000			CS 3000	
<b>SERIES</b>	MINI 	COMPACT HEIGHT 	THREADED 	LOW PROFILE 	HEAVY DUTY 	ISO 	HEAVY LOAD <b>&gt;Pmax</b> 	POWER COMPACT STROKE <b>&lt;S</b> <b>&gt;F<sub>0</sub></b> 

When using CP series mounted by screws the gas spring must be supported at all the times.  
A flat support surface in contact with the whole surface of the gas spring body is always required.

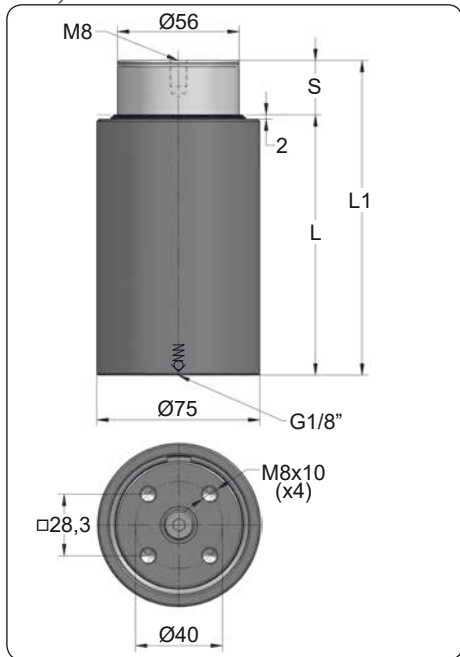


		<b>SEAL KIT S-XXXXXXX</b>		

<b>CODE</b>	<b>CP 3000 050 V1</b>	<b>KIT S-XXXXXXX</b>	<b>X</b>	<b>06 CG 2-Q</b>
ENG ORDER	GAS SPRING	REPAIR KIT	FLANGE	CHARGING ADAPTER
DEU BESTELLUNG	GASDRUCKFEDER	ERSATZTEILSATZ	FLANSCHEN	LADEADAPTER
FRA COMMANDE	RESSORT À GAZ	KIT DE RÉPARATION	BRIDE	RACCORD DE CHARGE
ITA ORDINE	CILINDRO AD AZOTO	KIT DI MANUTENZIONE	FLANGE	ADATTATORE DI CARICO
ESP PEDIDO	RESORTE DE GAS	KIT DE REPARACION	BRIDA	ADAPTADOR DE CARGA
POR PEDIDO	CILINDRO DE GÁS	KIT DE MANUTENÇÃO	FLANGE	ADAPTADOR DE CARGA

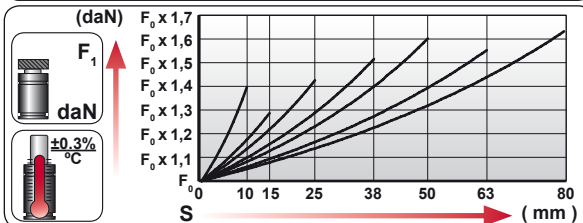
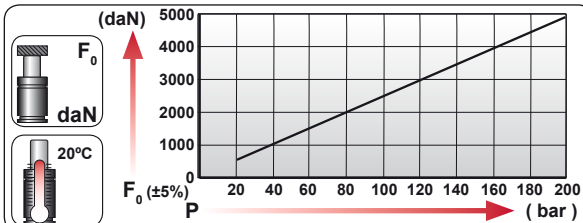
# CP 5000 V1

Heavy Load

ORDER	S (mm)	L1 ±0,25 (mm)	L (mm)	Kg.
CP 5000 010 V1	10	100	90	2.30
CP 5000 015 V1	15	125	110	2.56
CP 5000 025 V1	25	145	120	2.78
CP 5000 038 V1	38	175	137	3.11
CP 5000 050 V1	50	200	150	3.38
CP 5000 063 V1	63	240	177	3.81
CP 5000 080 V1	80	275	195	4.20

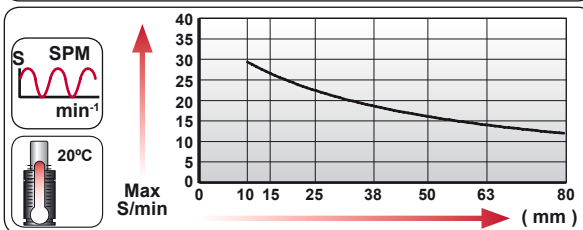
CODE					
		bar	psi	daN	daN
CP 5000 050 V1		200	2900	4925	7890
-----		---	---	---	---



	ENG ORDER		
	DEU BESTELLUNG	daN	mm
	FRA COMMANDE		
	ITA ORDINE		
	ESP PEDIDO		
POR PEDIDO			

CP 5000 50

CP 5000 050 V1



N <sub>2</sub>	S <sub>max</sub> < 90%	V <sub>max</sub> 0,5 m/s	P <sub>min</sub> (20°C)	P <sub>max</sub> (20°C)	T <sub>min</sub>	T <sub>max</sub>	

bar	psi	bar	psi	°C	°F	°C	°F	<b>X</b>
20	290	200	2900	0	32	80	176	



# CP 5000 V1 MOUNTS

Heavy Load

<b>MODEL</b>	<b>X</b> CW 2400 KZ 2400	<b>X</b>	CT 2500 CK 2500 FD 1500	GN 1500 CM 2500 CD 2400	AG 1500	CPH 4300 CP 5000	CS 4700	
<b>SERIES</b>	MINI 	COMPACT HEIGHT 	THREADED 	LOW PROFILE 	HEAVY DUTY 	ISO 	HEAVY LOAD 	POWER COMPACT STROKE 

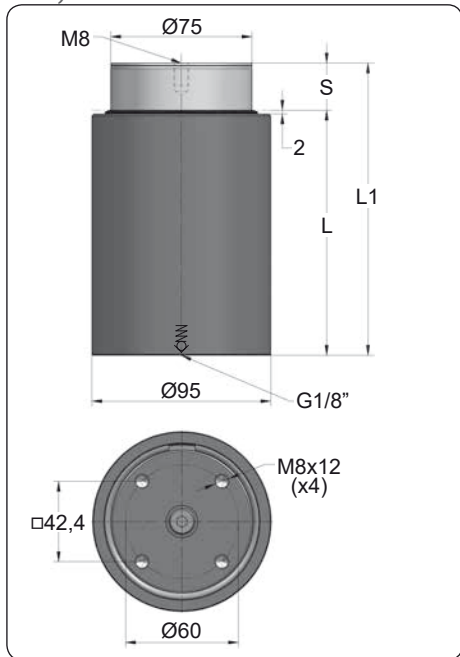
When using CP series mounted by screws the gas spring must be supported at all the times.  
A flat support surface in contact with the whole surface of the gas spring body is always required.

--	--	--	--	--

<b>CODE</b>	<b>CP 5000 050 V1</b>	<b>KIT S-XXXXXXX</b>	<b>X</b>	<b>18 CG 1-Q</b>
ENG ORDER	GAS SPRING	REPAIR KIT	FLANGE	CHARGING ADAPTER
DEU BESTELLUNG	GASDRUCKFEDER	ERSATZTEILSATZ	FLANSCHEN	LADEADAPTER
FRA COMMANDE	RESSORT À GAZ	KIT DE RÉPARATION	BRIDE	RACCORD DE CHARGE
ITA ORDINE	CILINDRO AD AZOTO	KIT DI MANUTENZIONE	FLANGE	ADATTATORE DI CARICO
ESP PEDIDO	RESORTE DE GAS	KIT DE REPARACION	BRIDA	ADAPTADOR DE CARGA
POR PEDIDO	CILINDRO DE GÁS	KIT DE MANUTENÇÃO	FLANGE	ADAPTADOR DE CARGA

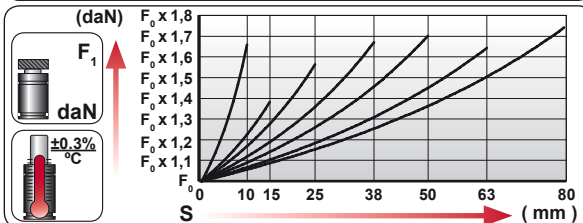
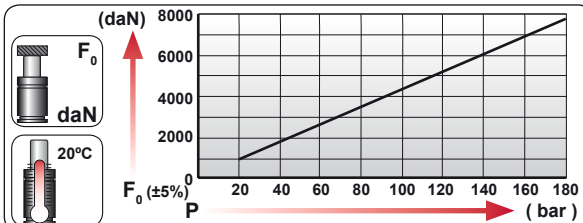
# CP 8000 V1

Heavy Load

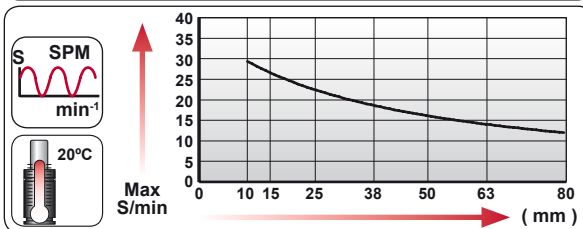


ORDER	S (mm)	L1 ±0,25 (mm)	L (mm)	Kg.
CP 8000 010 V1	10	110	100	4.24
CP 8000 015 V1	15	135	120	4.64
CP 8000 025 V1	25	155	130	4.99
CP 8000 038 V1	38	185	147	5.50
CP 8000 050 V1	50	215	165	6.00
CP 8000 063 V1	63	255	192	6.66
CP 8000 080 V1	80	290	210	7.26

CODE					
		bar	psi	daN	daN
CP 8000 050 V1		180	2610	7950	13530
-----		---	---	---	---



	ENG ORDER DEU BESTELLUNG FRA COMMANDE ITA ORDINE ESP PEDIDO POR PEDIDO		
		daN	mm
		CP 8000	50
		CP 8000 050 V1	



N <sub>2</sub>	S <sub>max</sub> < 90%	V <sub>max</sub> 0,5 m/s	P <sub>min</sub> (20°C)	P <sub>max</sub> (20°C)	T <sub>min</sub>	T <sub>max</sub>	

bar	psi	bar	psi	°C	°F	°C	°F	
20	290	180	2610	0	32	80	176	

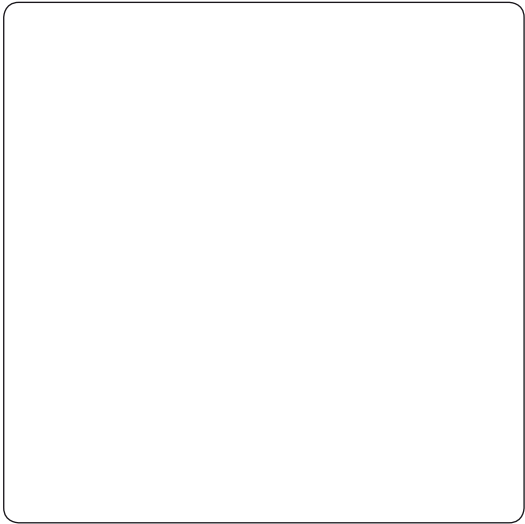


# CP 8000 V1 MOUNTS

Heavy Load

s mm mm L1 mm	<p>50</p> <p>Ø95</p> <p>L1=158</p> <p>L1=162</p>	<p>50</p> <p>Ø95</p> <p>L1=170</p> <p>L1=170</p>	<p>50</p> <p>Ø95</p> <p>L1=195</p> <p>L1=205</p> <p>L1=220</p>	<p>50</p> <p>Ø95</p> <p>L1=220</p>	<p>50</p> <p>Ø95</p> <p>L1=215</p>	<p>50</p> <p>Ø95</p> <p>L1=255</p>		
MODEL	<b>X</b> CW 4200 KZ 4200	<b>X</b>	CK 4000 FD 3000	GN 3000 CM 4000 CD 4200	AG 3000	<b>CP 8000</b>	CS 7500	
SERIES	MINI 	COMPACT HEIGHT 	THREADED 	LOW PROFILE 	HEAVY DUTY 	ISO 	HEAVY LOAD 	POWER COMPACT STROKE 

When using CP series mounted by screws the gas spring must be supported at all the times.  
A flat support surface in contact with the whole surface of the gas spring body is always required.



		<b>SEAL KIT S-XXXXXXX</b>		
--	--	---------------------------	--	--

CODE	<b>CP 8000 050 V1</b>	<b>KIT S-XXXXXXX</b>	<b>X</b>	<b>18 CG 1-Q</b>
ENG ORDER	GAS SPRING	REPAIR KIT	FLANGE	CHARGING ADAPTER
DEU BESTELLUNG	GASDRUCKFEDER	ERSATZTEILSATZ	FLANSCHEN	LADEADAPTER
FRA COMMANDE	RESSORT À GAZ	KIT DE RÉPARATION	BRIDE	RACCORD DE CHARGE
ITA ORDINE	CILINDRO AD AZOTO	KIT DI MANUTENZIONE	FLANGE	ADATTATORE DI CARICO
ESP PEDIDO	RESORTE DE GAS	KIT DE REPARACION	BRIDA	ADAPTADOR DE CARGA
POR PEDIDO	CILINDRO DE GÁS	KIT DE MANUTENÇÃO	FLANGE	ADAPTADOR DE CARGA

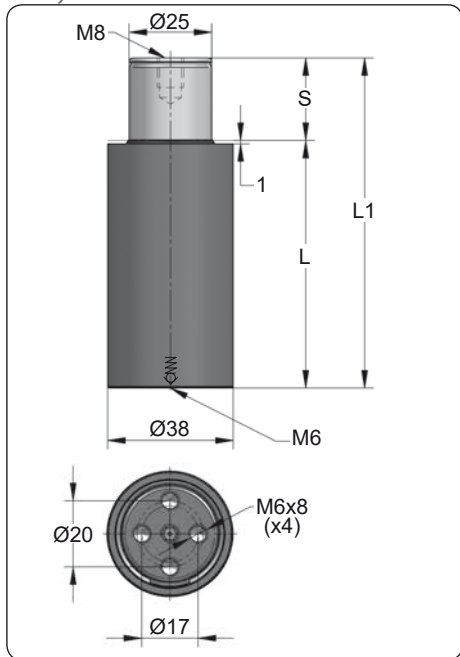






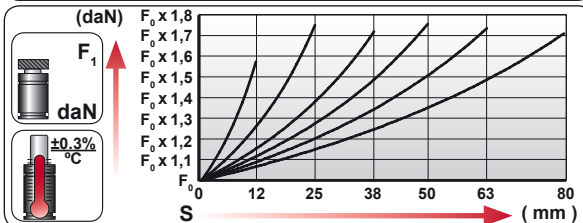
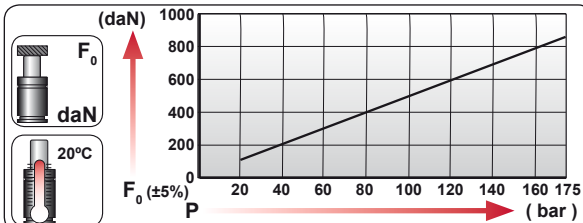
# CPH 850 V1

Heavy Load

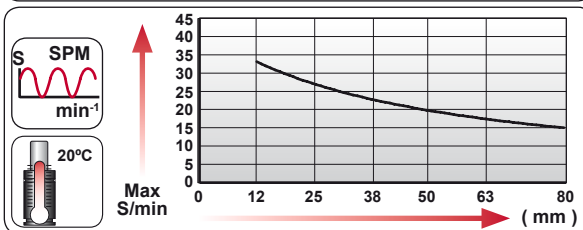



ORDER	S (mm)	L1 ±0,25 (mm)	L (mm)	Kg.
CPH 850 012 V1	12	74	62	0,43
CPH 850 025 V1	25	100	75	0,50
CPH 850 038 V1	38	130	92	0,58
CPH 850 050 V1	50	155	105	0,64
CPH 850 063 V1	63	185	122	0,72
CPH 850 080 V1	80	225	145	0,82

CODE				
	bar	psi	daN	daN
CPH 850 050 V1	165	2395	810	1420
-----	---	---	---	---



	ENG ORDER DEU BESTELLUNG FRA COMMANDE ITA ORDINE ESP PEDIDO POR PEDIDO		
		daN	mm
		CPH 850	50
		CPH 850 050 V1	



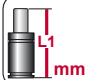
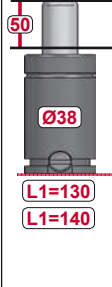

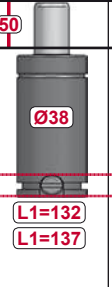

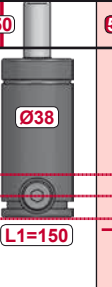
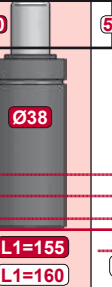


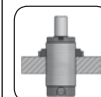







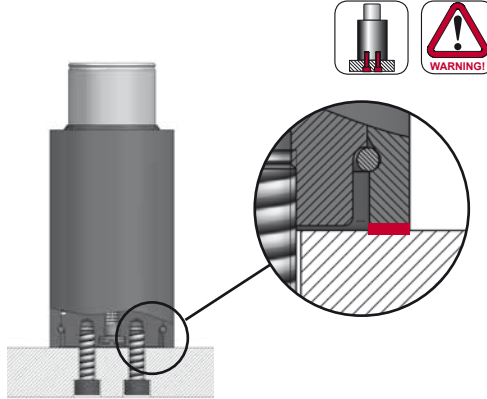
N <sub>2</sub>	S <sub>max</sub> < 90%	V <sub>max</sub> 0,5 m/s	P <sub>min</sub> (20°C)	P <sub>max</sub> (20°C)	T <sub>min</sub>	T <sub>max</sub>	

bar	psi	bar	psi	°C	°F	°C	°F	
20	290	175	2540	0	32	80	176	

# CPH 850 V1 MOUNTS


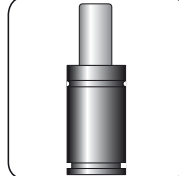

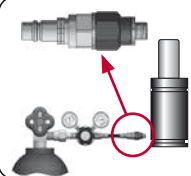
Heavy Load

								
			Ø38 L1=130 L1=140	Ø38 L1=150	Ø38 L1=132 L1=137	Ø38 L1=150 L1=155	Ø38 L1=150	Ø38 L1=155 L1=160
MODEL	<b>X</b>	CW 500 KZ 500	AS 300	CT 550 CK 570	CM 500 CD 500	AG 250	<b>CPH 850</b> CP 1000	CS 1000
SERIES	MINI 	COMPACT HEIGHT 	THREADED 	LOW PROFILE 	HEAVY DUTY 	ISO 	HEAVY LOAD 	POWER COMPACT STROKE 



**WARNING!**

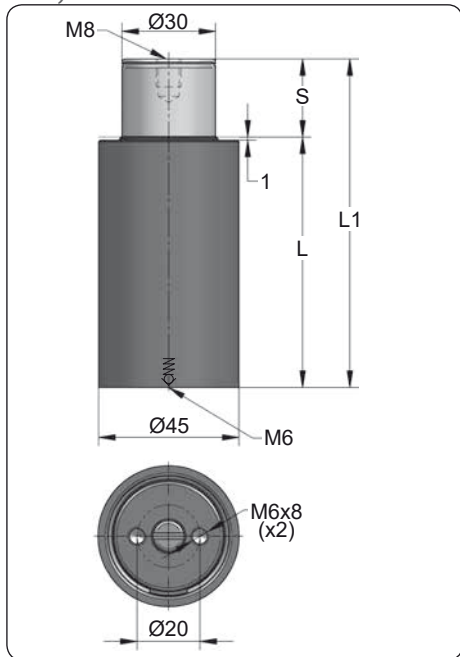
When using CP series mounted by screws the gas spring must be supported at all the times.  
A flat support surface in contact with the whole surface of the gas spring body is always required.

				
--	---	---	---	--

<b>CODE</b>	<b>CPH 850 050 V1</b>	<b>KIT S-XXXXXXX</b>	<b>X</b>	<b>06 CG 2-Q</b>
ENG ORDER	GAS SPRING	REPAIR KIT	FLANGE	CHARGING ADAPTER
DEU BESTELLUNG	GASDRUCKFEDER	ERSATZTEILSATZ	FLANSCHEN	LADEADAPTER
FRA COMMANDE	RESSORT À GAZ	KIT DE RÉPARATION	BRIDE	RACCORD DE CHARGE
ITA ORDINE	CILINDRO AD AZOTO	KIT DI MANUTENZIONE	FLANGE	ADATTATORE DI CARICO
ESP PEDIDO	RESORTE DE GAS	KIT DE REPARACION	BRIDA	ADAPTADOR DE CARGA
POR PEDIDO	CILINDRO DE GÁS	KIT DE MANUTENÇÃO	FLANGE	ADAPTADOR DE CARGA

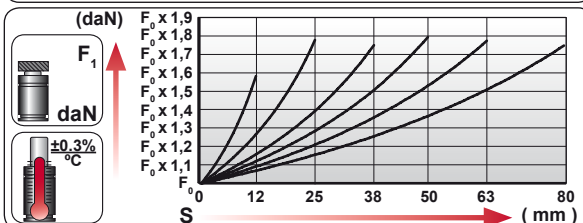
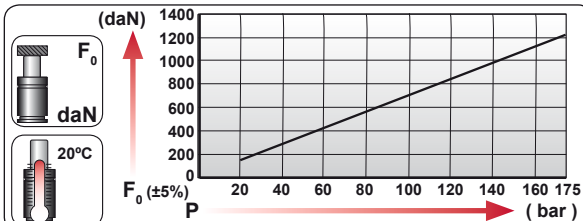
# CPH 1250 V1

Heavy Load

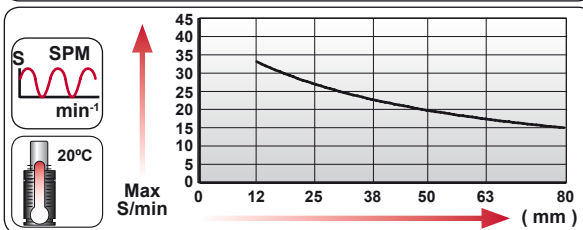



ORDER	S (mm)	L1 ±0,25 (mm)	L (mm)	Kg.
CPH 1250 012 V1	12	79	67	0.61
CPH 1250 025 V1	25	105	80	0.73
CPH 1250 038 V1	38	135	97	0.81
CPH 1250 050 V1	50	160	110	0.98
CPH 1250 063 V1	63	190	127	1.12
CPH 1250 080 V1	80	230	150	1.25

CODE				
		bar psi	daN	daN
CPH 1250 050 V1		170 2465	1200	2150
-----		-----	-----	-----



ENG	ORDER		
DEU	BESTELLUNG	daN	mm
FRA	COMMANDE		
ITA	ORDINE		
ESP	PEDIDO		
POR	PEDIDO		
	CPH 1250 50		
	CPH 1250 050 V1		



N <sub>2</sub>	S <sub>max</sub> < 90%	V <sub>max</sub> 0,5 m/s	P <sub>min</sub> (20°C)	P <sub>max</sub> (20°C)	T <sub>min</sub>	T <sub>max</sub>	

bar	psi	bar	psi	°C	°F	°C	°F	
20	290	175	2540	0	32	80	176	



# CPH 1250 V1 MOUNTS

Heavy Load

s mm mm L1 mm	50 Ø45 L1=132 L1=147	50 Ø45 L1=150 L1=150	50 Ø45 L1=160 L1=185	50 Ø45 L1=185	50 Ø45 L1=160	50 Ø45 L1=160	50 Ø45 L1=160	
MODEL	<b>X</b>	CW 750 KZ 750	<b>X</b>	CK 750 FD 500	CM 600 CD 700	AG 500	CPH 1250	<b>X</b>
SERIES	MINI	COMPACT HEIGHT	THREADED	LOW PROFILE	HEAVY DUTY	ISO	HEAVY LOAD	POWER COMPACT STROKE

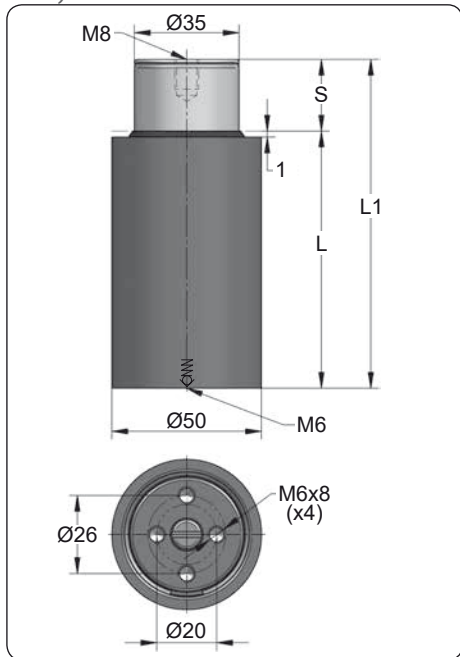
When using CP series mounted by screws the gas spring must be supported at all the times.  
A flat support surface in contact with the whole surface of the gas spring body is always required.

		SEAL KIT S-XXXXXXX		

CODE	CPH 1250 050 V1	KIT S-XXXXXXX	<b>X</b>	06 CG 2-Q
ENG ORDER	GAS SPRING	REPAIR KIT	FLANGE	CHARGING ADAPTER
DEU BESTELLUNG	GASDRUCKFEDER	ERSATZTEILSATZ	FLANSCHEN	LADEADAPTER
FRA COMMANDE	RESSORT À GAZ	KIT DE RÉPARATION	BRIDE	RACCORD DE CHARGE
ITA ORDINE	CILINDRO AD AZOTO	KIT DI MANUTENZIONE	FLANGE	ADATTATORE DI CARICO
ESP PEDIDO	RESORTE DE GAS	KIT DE REPARACION	BRIDA	ADAPTADOR DE CARGA
POR PEDIDO	CILINDRO DE GÁS	KIT DE MANUTENÇÃO	FLANGE	ADAPTADOR DE CARGA

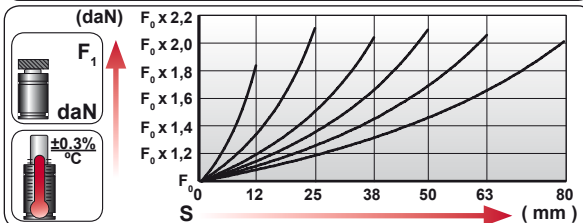
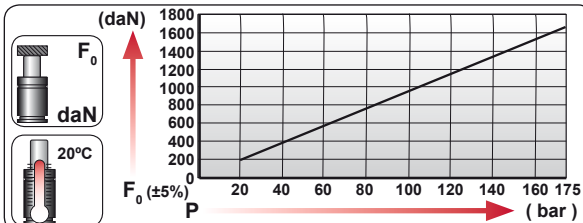
# CPH 1700 V1

Heavy Load

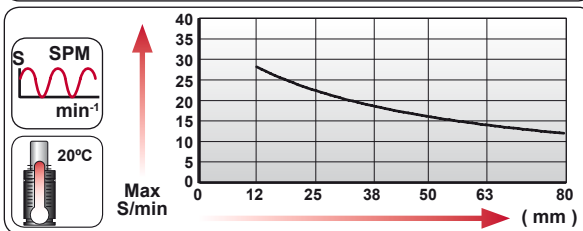



ORDER	S (mm)	L1 ±0,25 (mm)	L (mm)	Kg.
CPH 1700 012 V1	12	84	72	0.89
CPH 1700 025 V1	25	110	85	1.02
CPH 1700 038 V1	38	140	102	1.18
CPH 1700 050 V1	50	165	115	1.30
CPH 1700 063 V1	63	195	132	1.46
CPH 1700 080 V1	80	235	155	1.66

CODE				
	bar	psi	daN	daN
CPH 1700 050 V1	170	2465	1635	3430
-----	---	---	---	---



ENG ORDER	DEU BESTELLUNG	FRA COMMANDE	ITA ORDINE	ESP PEDIDO	POR PEDIDO
CPH	1700	50			
CPH 1700 050 V1					



N <sub>2</sub>	Smax < 90%	Vmax 0,5 m/s	Pmin (20°C)	Pmax (20°C)	Tmin	Tmax	

bar	psi	bar	psi	°C	°F	°C	°F	
20	290	175	2540	0	32	80	176	



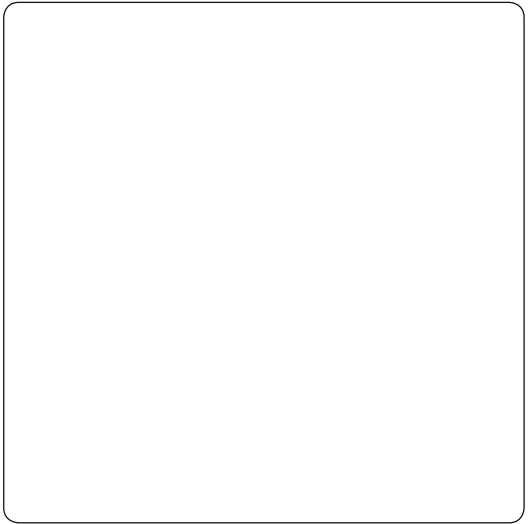
# CPH 1700 V1 MOUNTS

Heavy Load

s mm mm mm	<p>50</p> <p>Ø50</p> <p>L1=138</p> <p>L1=152</p>	<p>50</p> <p>Ø50</p> <p>L1=138</p> <p>L1=150</p> <p>L1=150</p>	<p>50</p> <p>Ø50</p> <p>L1=170</p> <p>L1=185</p> <p>L1=195</p>	<p>50</p> <p>Ø50</p> <p>L1=195</p>	<p>50</p> <p>Ø50</p> <p>L1=165</p> <p>L1=175</p>	<p>50</p> <p>Ø50</p> <p>L1=220</p>		
MODEL	<b>X</b> CW 1000 KZ 1000	<b>X</b>	CT 1000 CK 1000 FD 750	GN 750 CM 1000 CD 1000	AG 750	<b>CPH 1700</b> CP 2000	CS 1800	
SERIES	MINI 	COMPACT HEIGHT 	THREADED 	LOW PROFILE 	HEAVY DUTY 	ISO 	HEAVY LOAD 	POWER COMPACT STROKE 

**WARNING!**

When using CP series mounted by screws the gas spring must be supported at all the times.  
A flat support surface in contact with the whole surface of the gas spring body is always required.

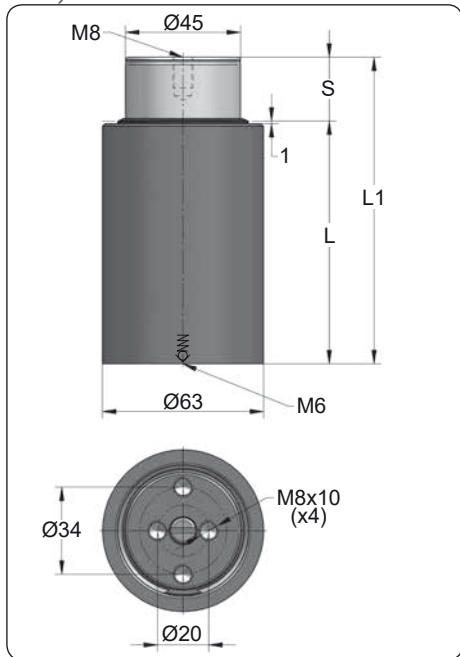


		<b>SEAL KIT S-XXXXXXX</b> 750 2150252 2723CE art.3 XXXXXXXX DE Made in Spain CE 150 bar (2175 www.azolgas.com		

CODE	<b>CPH 1700 050 V1</b>	<b>KIT S-XXXXXXX</b>	<b>X</b>	<b>06 CG 2-Q</b>
ENG ORDER	GAS SPRING	REPAIR KIT	FLANGE	CHARGING ADAPTER
DEU BESTELLUNG	GASDRUCKFEDER	ERSATZTEILSATZ	FLANSCHEN	LADEADAPTER
FRA COMMANDE	RESSORT À GAZ	KIT DE RÉPARATION	BRIDE	RACCORD DE CHARGE
ITA ORDINE	CILINDRO AD AZOTO	KIT DI MANUTENZIONE	FLANGE	ADATTATORE DI CARICO
ESP PEDIDO	RESORTE DE GAS	KIT DE REPARACION	BRIDA	ADAPTADOR DE CARGA
POR PEDIDO	CILINDRO DE GÁS	KIT DE MANUTENÇÃO	FLANGE	ADAPTADOR DE CARGA

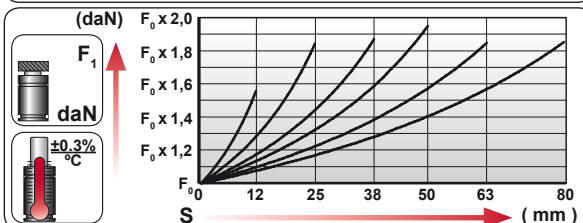
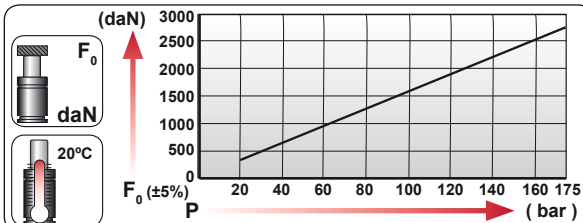
# CPH 2800 V1

Heavy Load

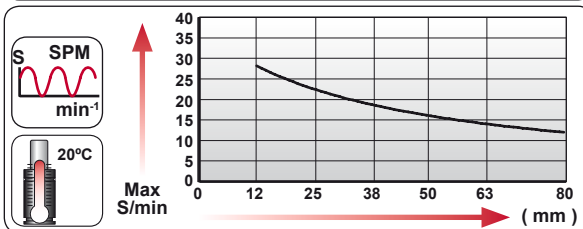


ORDER	S (mm)	L1 ±0,25 (mm)	L (mm)	Kg.
CPH 2800 012 V1	12	94	82	1.58
CPH 2800 025 V1	25	120	95	1.79
CPH 2800 038 V1	38	150	112	2.04
CPH 2800 050 V1	50	175	125	2.24
CPH 2800 063 V1	63	210	147	2.53
CPH 2800 080 V1	80	250	170	2.85

CODE				
		bar	psi	daN
CPH 2800 050 V1		170	2465	2700
-----		---	---	---



ENG ORDER	DEU BESTELLUNG	FRA COMMANDE	ITA ORDINE	ESP PEDIDO	POR PEDIDO
CPH	2800	50			
CPH 2800 050 V1					



N <sub>2</sub>	Smax < 90%	Vmax 0,5 m/s	bar psi	bar psi	°C °F	°C °F	<b>X</b>
			20 290	175 2540	0 32	80 176	





# CPH 2800 V1 MOUNTS

Heavy Load

MODEL	<b>X</b> CW 1500 KZ 1500	<b>X</b>	CT 1500 CK 1500	CM 1500 CD 1500	<b>X</b>	CPH 2800 CP 3000	CS 3000	
SERIES	MINI 	COMPACT HEIGHT 	THREADED 	LOW PROFILE 	HEAVY DUTY 	ISO 	HEAVY LOAD 	POWER COMPACT STROKE 

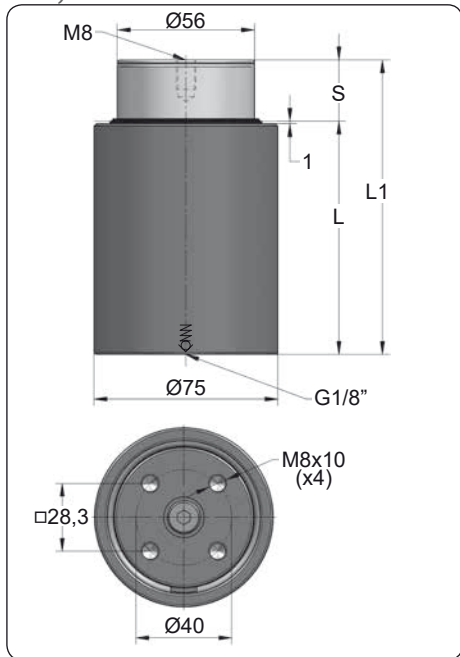
When using CP series mounted by screws the gas spring must be supported at all the times.  
A flat support surface in contact with the whole surface of the gas spring body is always required.

		 <b>SEAL KIT S-XXXXXXX</b> 		
--	--	-----------------------------------	--	--

CODE	CPH 2800 050 V1	KIT S-XXXXXXX	<b>X</b>	06 CG 2-Q
ENG ORDER	GAS SPRING	REPAIR KIT	FLANGE	CHARGING ADAPTER
DEU BESTELLUNG	GASDRUCKFEDER	ERSATZTEILSATZ	FLANSCHEN	LADEADAPTER
FRA COMMANDE	RESSORT À GAZ	KIT DE RÉPARATION	BRIDE	RACCORD DE CHARGE
ITA ORDINE	CILINDRO AD AZOTO	KIT DI MANUTENZIONE	FLANGE	ADATTATORE DI CARICO
ESP PEDIDO	RESORTE DE GAS	KIT DE REPARACION	BRIDA	ADAPTADOR DE CARGA
POR PEDIDO	CILINDRO DE GÁS	KIT DE MANUTENÇÃO	FLANGE	ADAPTADOR DE CARGA

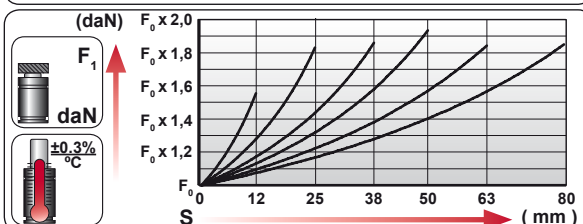
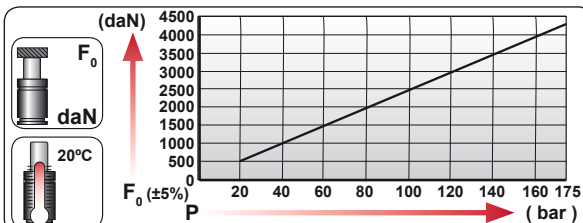
# CPH 4300 V1

Heavy Load

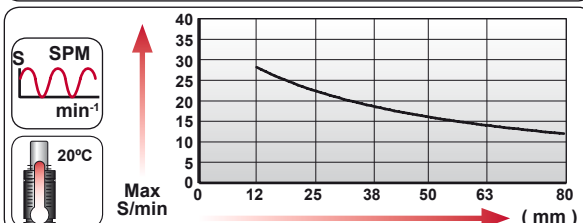


ORDER	S (mm)	L1 ±0,25 (mm)	L (mm)	Kg.
CPH 4300 012 V1	12	94	82	2.26
CPH 4300 025 V1	25	120	95	2.54
CPH 4300 038 V1	38	150	112	2.87
CPH 4300 050 V1	50	175	125	3.14
CPH 4300 063 V1	63	210	147	3.52
CPH 4300 080 V1	80	250	170	3.96

CODE				
	bar	psi	daN	daN
CPH 4300 050 V1	170	2465	4190	8100
-----	---	---	---	---






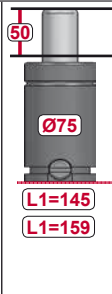
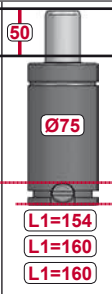

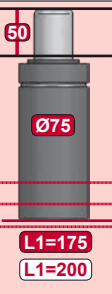



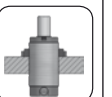





ENG ORDER	DEU BESTELLUNG	FRA COMMANDE	ITA ORDINE	ESP PEDIDO	POR PEDIDO
CPH	4300	50			
CPH 4300 050 V1					

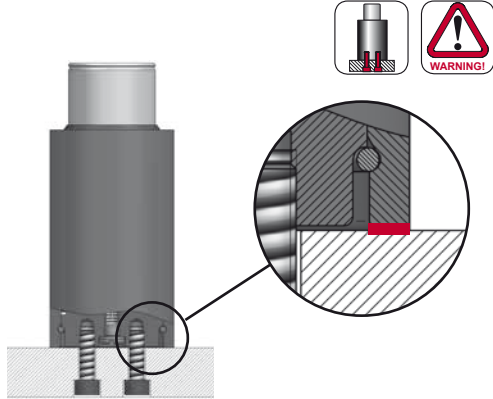


N <sub>2</sub>	Smax < 90%	Vmax 0,5 m/s	bar psi	bar psi	°C °F	°C °F	X
			20 290	175 2540	0 32	80 176	

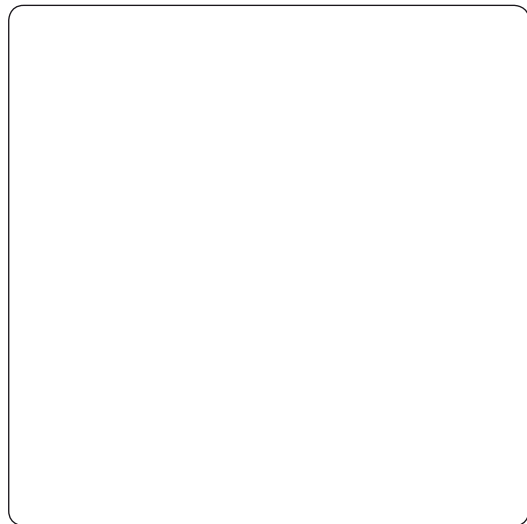
# CPH 4300 V1 MOUNTS

Heavy Load

  								
<b>MODEL</b>	<b>X</b> CW 2400 KZ 2400	<b>X</b>	CT 2500 CK 2500 FD 1500	GN 1500 CM 2500 CD 2400	AG 1500	<b>CPH 4300</b> <b>CP 5000</b>	CS 4700	
<b>SERIES</b>	MINI 	COMPACT HEIGHT 	THREADED 	LOW PROFILE 	HEAVY DUTY 	ISO 	HEAVY LOAD 	POWER COMPACT STROKE 



When using CP series mounted by screws the gas spring must be supported at all the times.  
A flat support surface in contact with the whole surface of the gas spring body is always required.



				
--	---	---	---	--

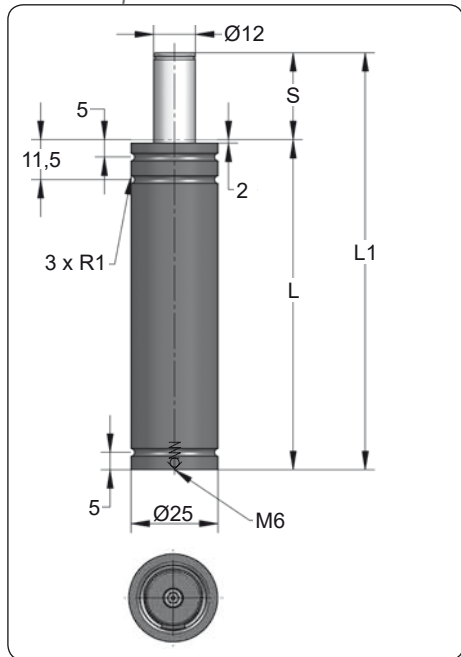
<b>CODE</b>	<b>CPH 4300 050 V1</b>	<b>KIT S-XXXXXXX</b>	<b>X</b>	<b>18 CG 1-Q</b>
ENG ORDER	GAS SPRING	REPAIR KIT	FLANGE	CHARGING ADAPTER
DEU BESTELLUNG	GASDRUCKFEDER	ERSATZTEILSATZ	FLANSCHEN	LADEADAPTER
FRA COMMANDE	RESSORT À GAZ	KIT DE RÉPARATION	BRIDE	RACCORD DE CHARGE
ITA ORDINE	CILINDRO AD AZOTO	KIT DI MANUTENZIONE	FLANGE	ADATTATORE DI CARICO
ESP PEDIDO	RESORTE DE GAS	KIT DE REPARACION	BRIDA	ADAPTADOR DE CARGA
POR PEDIDO	CILINDRO DE GÁS	KIT DE MANUTENÇÃO	FLANGE	ADAPTADOR DE CARGA





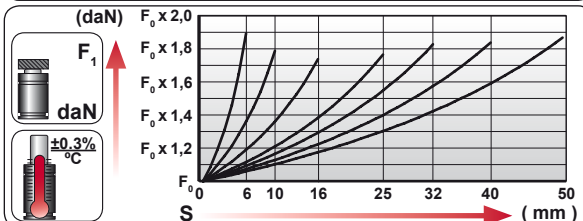
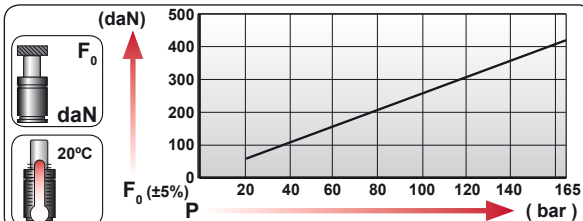
# CS 420 V1

Power Compact Stroke



ORDER	S (mm)	L1 ±0,25 (mm)	L (mm)	Kg.
CS 420 006 V1	6	56	50	0.14
CS 420 010 V1	10	70	60	0.16
CS 420 016 V1	16	91	75	0.20
CS 420 025 V1	25	120	95	0.24
CS 420 032 V1	32	140	108	0.27
CS 420 040 V1	40	165	125	0.31
CS 420 050 V1	50	195	145	0.35

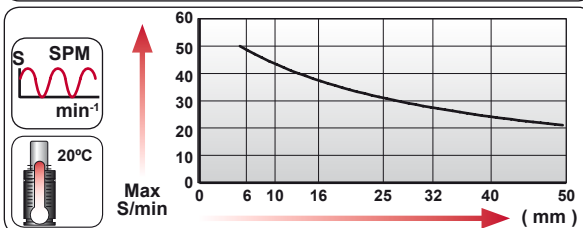
CODE				
	bar	psi	daN	daN
CS 420 050 V1	165	2395	420	740
-----	---	---	---	---



ENG ORDER  
 DEU BESTELLUNG  
 FRA COMMANDE  
 ITA ORDINE  
 ESP PEDIDO  
 POR PEDIDO

**F<sub>0</sub>** daN  
**S** mm

**CS 420 050 V1**



	<b>S<sub>max</sub> &lt; 90%</b>	<b>V<sub>max</sub> 0,5 m/s</b>	<b>P<sub>min</sub> (20°C)</b>	<b>P<sub>max</sub> (20°C)</b>	<b>T<sub>min</sub></b>	<b>T<sub>max</sub></b>	
--	---------------------------------	--------------------------------	-------------------------------	-------------------------------	------------------------	------------------------	--

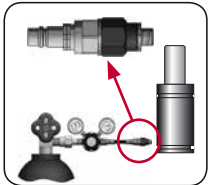
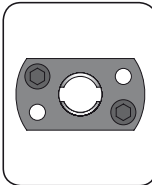
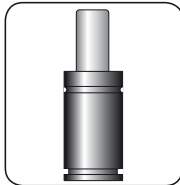
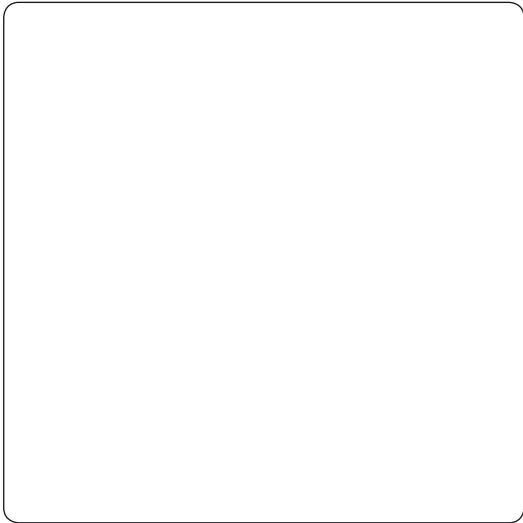
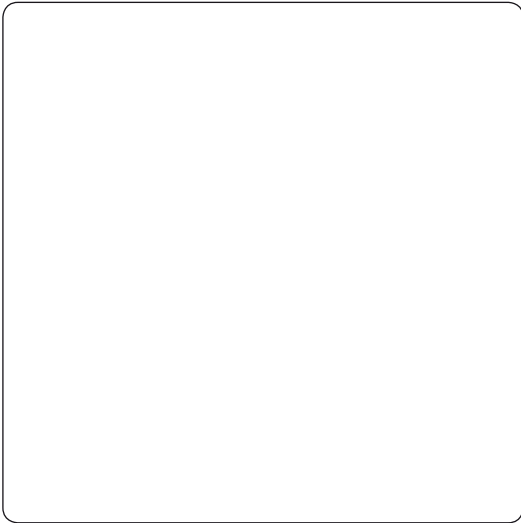
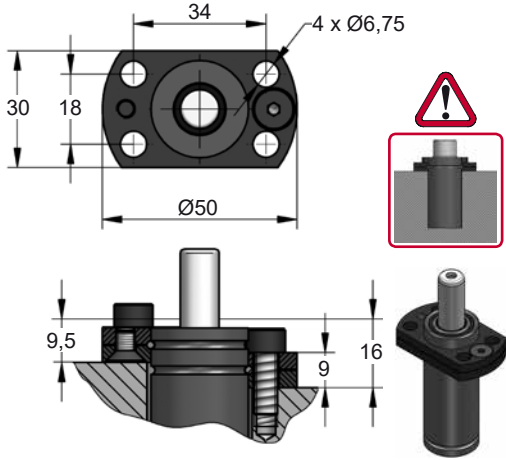
N <sub>2</sub>	S <sub>max</sub> < 90%	V <sub>max</sub> 0,5 m/s	bar psi	bar psi	°C °F	°C °F	
			20 290	165 2395	0 32	80 176	



# CS 420 V1 MOUNTS

Power Compact Stroke

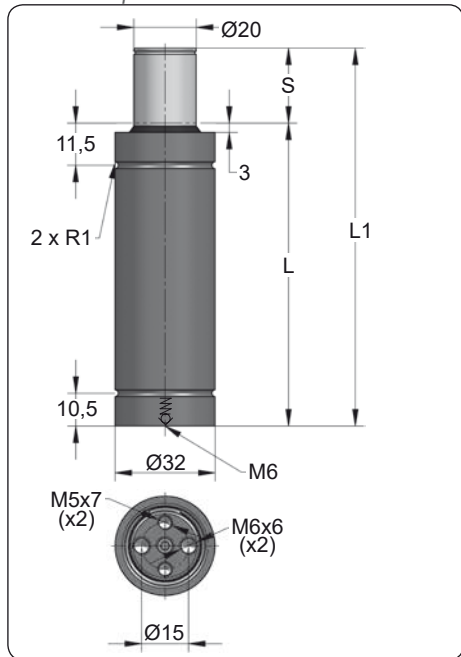
## A44-025



CODE	CS 420 050 V1	KIT S-XXXXXXX	A44-025	06 CG 2-Q
ENG ORDER	GAS SPRING	REPAIR KIT	FLANGE	CHARGING ADAPTER
DEU BESTELLUNG	GASDRUCKFEDER	ERSATZTEILSATZ	FLANSCHEN	LADEADAPTER
FRA COMMANDE	RESSORT À GAZ	KIT DE RÉPARATION	BRIDE	RACCORD DE CHARGE
ITA ORDINE	CILINDRO AD AZOTO	KIT DI MANUTENZIONE	FLANGE	ADATTATORE DI CARICO
ESP PEDIDO	RESORTE DE GAS	KIT DE REPARACION	BRIDA	ADAPTADOR DE CARGA
POR PEDIDO	CILINDRO DE GÁS	KIT DE MANUTENÇÃO	FLANGE	ADAPTADOR DE CARGA

# CS 770 V2

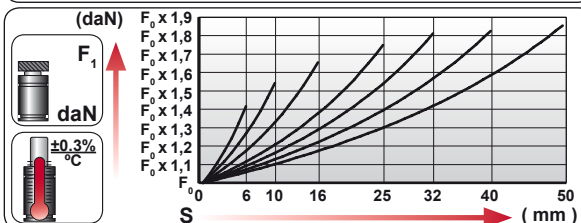
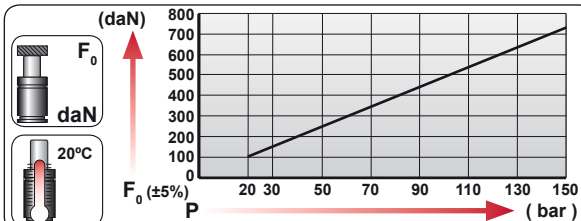
Power Compact Stroke



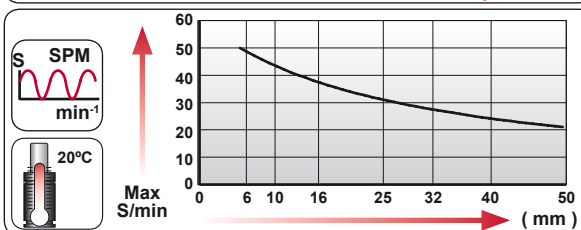
ORDER	S (mm)	L1 ±0,25 (mm)	L (mm)	Kg.
CS 770 006 V2	6	63	57	0.26
CS 770 010 V2	10	75	65	0.28
CS 770 016 V2	16	93	77	0.32
CS 770 025 V2	25	120	95	0.38
CS 770 032 V2	32	140	108	0.43
CS 770 040 V2	40	165	125	0.48
CS 770 050 V2	50	195	145	0.55



CODE					
		bar	psi	daN	daN
CS 770 050 V2		150	2175	735	1365
-----		---	---	---	---



	ENG ORDER DEU BESTELLUNG FRA COMMANDE ITA ORDINE ESP PEDIDO POR PEDIDO	F <sub>0</sub> daN	S mm
	CS 770 50		
	CS 770 050 V2		



N <sub>2</sub>	S <sub>max</sub> < 90%	V <sub>max</sub> 0,5 m/s	P <sub>min</sub> (20°C)	P <sub>max</sub> (20°C)	T <sub>min</sub>	T <sub>max</sub>	

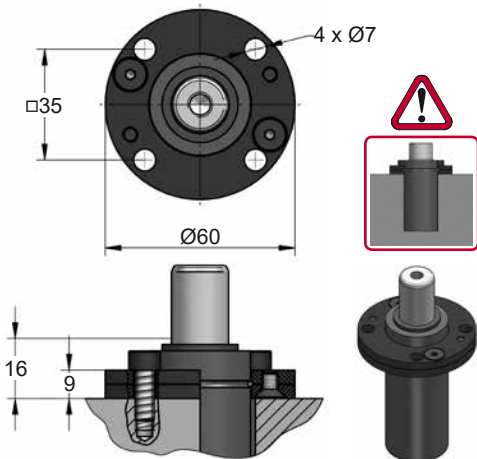
N <sub>2</sub>	S <sub>max</sub> < 90%	V <sub>max</sub> 0,5 m/s	bar psi	bar psi	°C °F	°C °F	°C °F	
			20 290	150 2175	0 32	80 176		



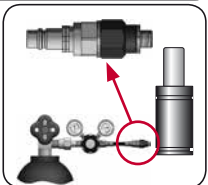
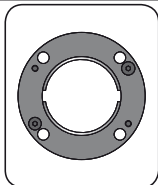
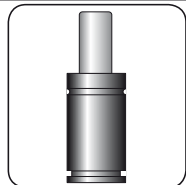
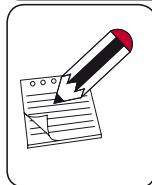
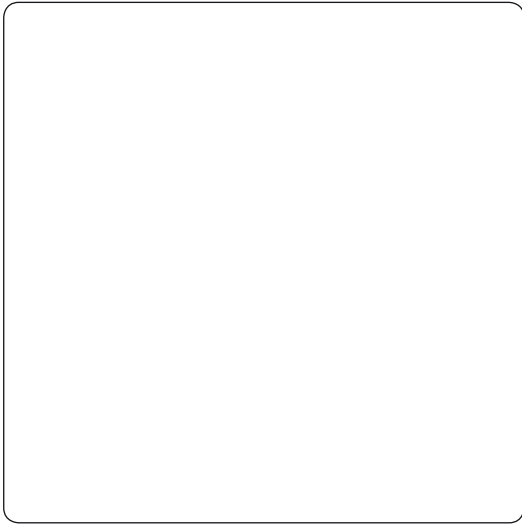
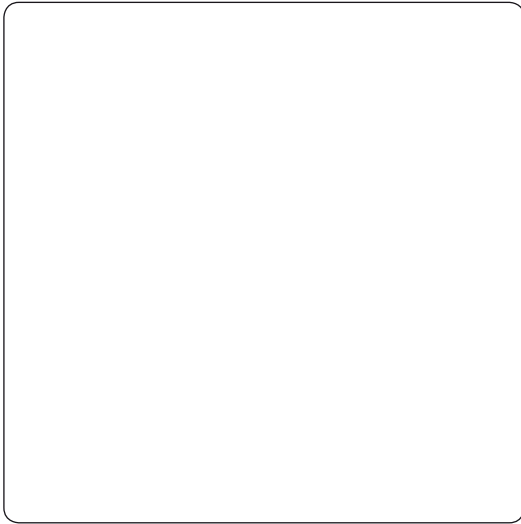
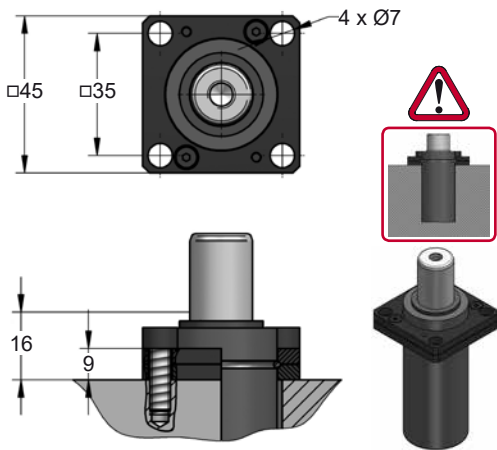
# CS 770 V2 MOUNTS

Power Compact Stroke

## A14-032



## A34-032

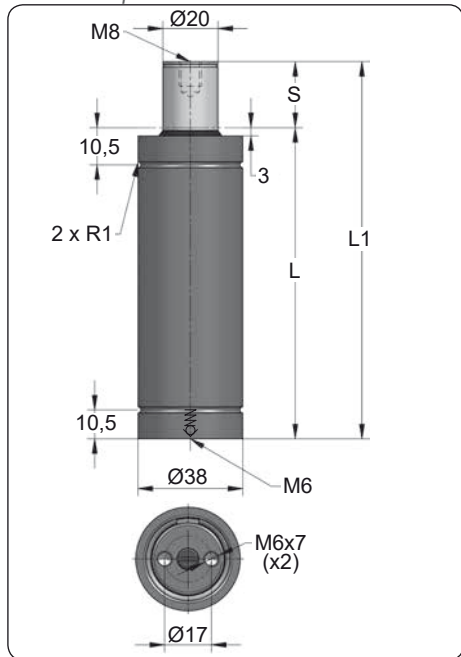


CODE	CS 770 050 V2	KIT S-XXXXXXX	A14-032	06 CG 2-Q
ENG ORDER	GAS SPRING	REPAIR KIT	FLANGE	CHARGING ADAPTER
DEU BESTELLUNG	GASDRUCKFEDER	ERSATZTEILSATZ	FLANSCHEN	LADEADAPTER
FRA COMMANDE	RESSORT À GAZ	KIT DE RÉPARATION	BRIDE	RACCORD DE CHARGE
ITA ORDINE	CILINDRO AD AZOTO	KIT DI MANUTENZIONE	FLANGE	ADATTATORE DI CARICO
ESP PEDIDO	RESORTE DE GAS	KIT DE REPARACION	BRIDA	ADAPTADOR DE CARGA
POR PEDIDO	CILINDRO DE GÁS	KIT DE MANUTENÇÃO	FLANGE	ADAPTADOR DE CARGA

# CS 1000 V1

Power Compact Stroke

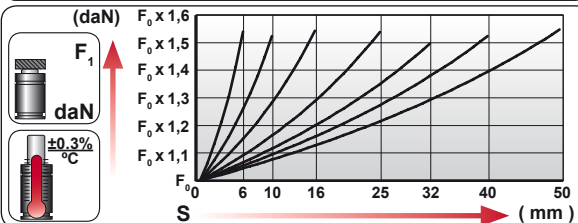
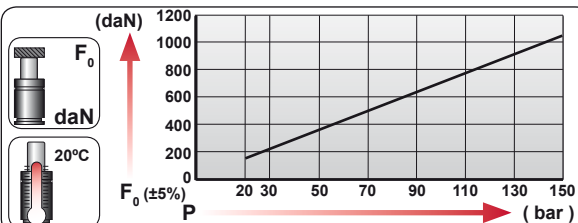
BMW B2 4006		PSA	E24.54.815.G



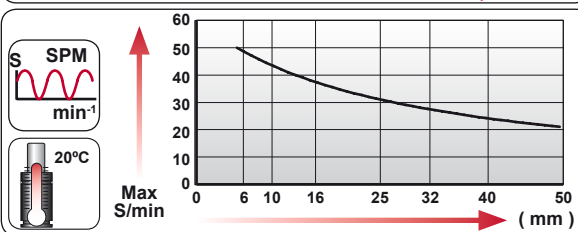
ORDER	S (mm)	L1 ±0,25 (mm)	L (mm)	Kg.
CS 1000 006 V1	6	61	55	0.36
CS 1000 010 V1	10	78	68	0.41
CS 1000 016 V1	16	100	84	0.47
CS 1000 025 V1	25	135	110	0.57
CS 1000 032 V1	32	167	135	0.66
CS 1000 040 V1	40	195	155	0.74
CS 1000 050 V1	50	230	180	0.84



CODE				
	bar	psi	daN	daN
CS 1000 050 V1	150	2175	1060	1640
-----	---	---	---	---



ENG ORDER	DEU BESTELLUNG	FRA COMMANDE	ITA ORDINE	ESP PEDIDO	POR PEDIDO
CS	1000	50			
CS 1000 050 V1					



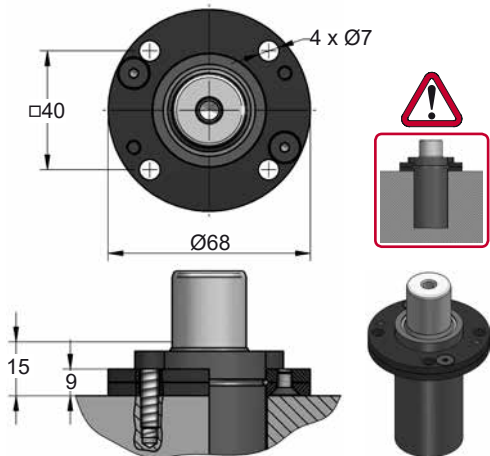
N <sub>2</sub>	S <sub>max</sub> < 90%	V <sub>max</sub> 0,5 m/s	P <sub>min</sub> (20°C)	P <sub>max</sub> (20°C)	T <sub>min</sub>	T <sub>max</sub>	

bar	psi	bar	psi	°C	°F	°C	°F	<b>X</b>
20	290	150	2175	0	32	80	176	

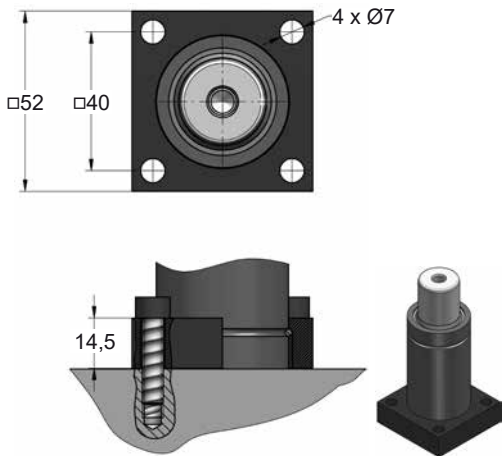
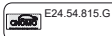
# CS 1000 V1 MOUNTS

Power Compact Stroke

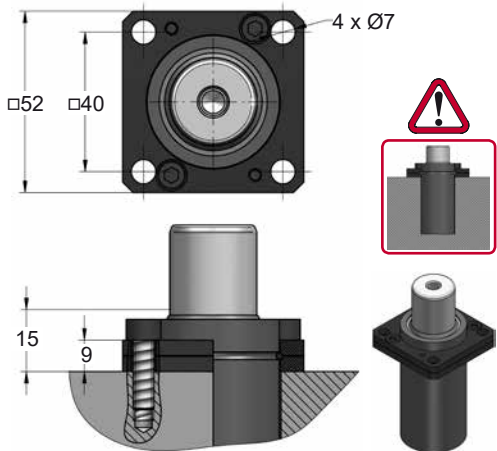
## A14-038



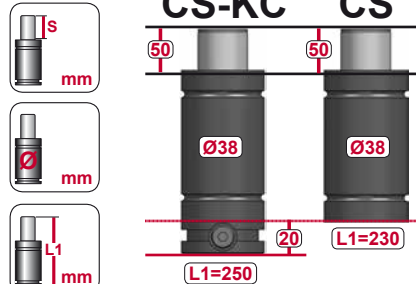
## A19-038



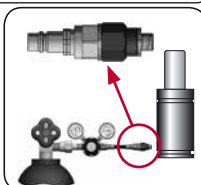
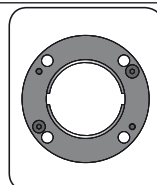
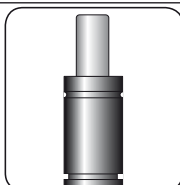
## A34-038



## CS-KC CS



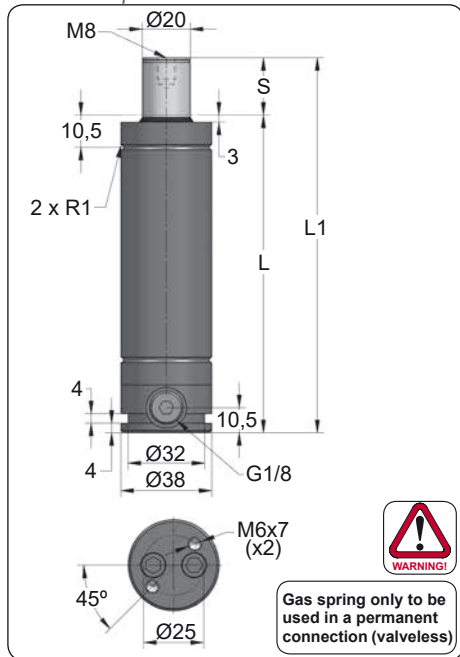
CODE		bar	psi	F	
				daN	daN
CS 1000 050 V1		150	2175	1060	1640
CS-KC 1000 050 V1		0	0	---	---



CODE	CS 1000 050 V1	KIT S-XXXXXXX	A14-038	06 CG 2-Q
ENG ORDER	GAS SPRING	REPAIR KIT	FLANGE	CHARGING ADAPTER
DEU BESTELLUNG	GASDRUCKFEDER	ERSATZTEILSATZ	FLANSCHSE	LADEADAPTER
FRA COMMANDE	RESSORT À GAZ	KIT DE RÉPARATION	BRIDE	RACCORD DE CHARGE
ITA ORDINE	CILINDRO AD AZOTO	KIT DI MANUTENZIONE	FLANGE	ADATTATORE DI CARICO
ESP PEDIDO	RESORTE DE GAS	KIT DE REPARACION	BRIDA	ADAPTADOR DE CARGA
POR PEDIDO	CILINDRO DE GÁS	KIT DE MANUTENÇÃO	FLANGE	ADAPTADOR DE CARGA

# CS-KC 1000 V1

Power Compact Stroke

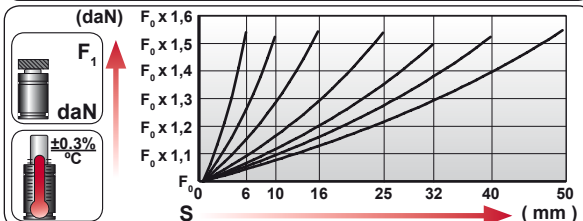
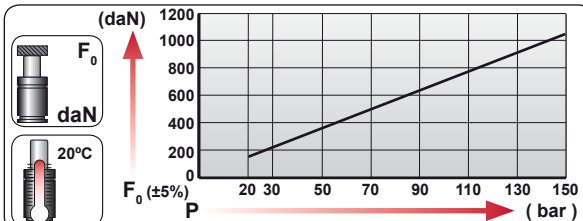


ORDER	S (mm)	L1 ±0,25 (mm)	L (mm)	Kg.
CS-KC 1000 006 V1	6	81	75	0.51
CS-KC 1000 010 V1	10	98	88	0.56
CS-KC 1000 016 V1	16	120	104	0.63
CS-KC 1000 025 V1	25	155	130	0.73
CS-KC 1000 032 V1	32	187	155	0.82
CS-KC 1000 040 V1	40	215	175	0.90
CS-KC 1000 050 V1	50	250	200	1.00

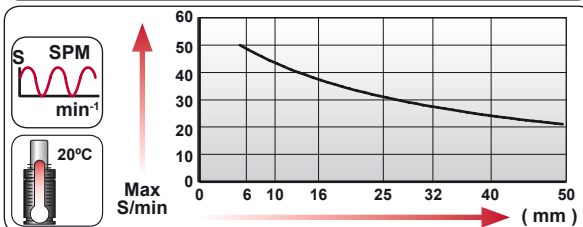


CODE				
	bar	psi	daN	daN
CS-KC 1000 050 V1	0	0	---	---

ENG Gas spring only to be used in a permanent connection (valveless)  
 DEU Gasdruckfeder kann nur im Verbund eingesetzt werden (ohne Ventil)  
 FRA Ressort à gaz ne peut être utilisé que relié dans une connexion (sans valve)  
 ITA Cilindro può essere utilizzato solo in una connessione permanente (senza valvola)  
 ESP Cilindro de gas sólo puede ser usado en un sistema conexionado (sin válvula)  
 POR Cilindro de gás apenas pode ser utilizado em um sistema interligado (sem válvula)



	ENG ORDER DEU BESTELLUNG FRA COMMANDE ITA ORDINE ESP PEDIDO POR PEDIDO		
		daN	mm
		CS-KC 1000	50
		CS-KC 1000 050 V1	



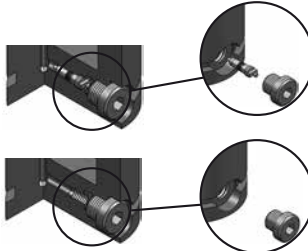
N <sub>2</sub>	S <sub>max</sub> < 90%	V <sub>max</sub> 0,5 m/s	P <sub>min</sub> (20°C)	P <sub>max</sub> (20°C)	T <sub>min</sub>	T <sub>max</sub>	

bar	psi	bar	psi	°C	°F	°C	°F	600 CP-
20	290	150	2175	0	32	80	176	

## ONLY PERMANENT HOSED GAS SPRINGS

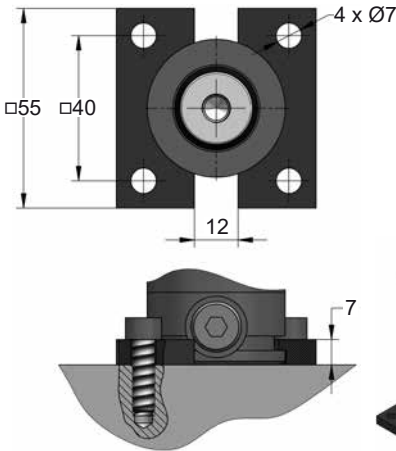


CODE					
		bar	psi	daN	daN
-----		---	---	---	---
CS-KC 1000 050 V1		0	0	---	---



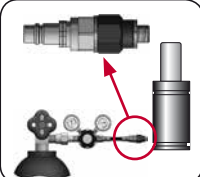
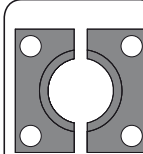
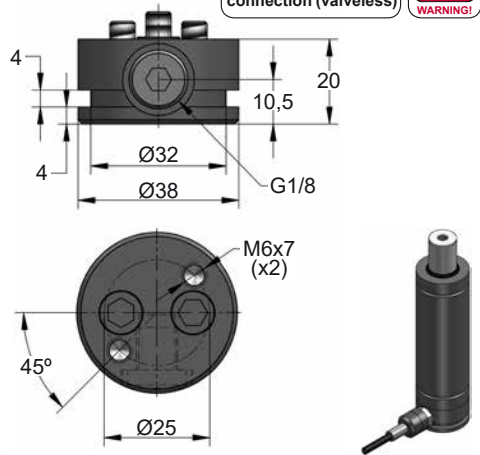
ENG	Hosed gas spring	Gas spring delivered unfilled and it can only be used in a permanent connection (valveless)
DEU	Gasdruckfeder zum verschlauchen	Gasdruckfeder wird drucklos angeliefert und kann nur im Verbund eingesetzt werden (ohne Ventil)
FRA	Ressort à gaz relié	Ressort à gaz fourni non chargé et il ne peut être utilisé que relié dans une connexion permanente (sans valve de charge)
ITA	Cilindro collegabile	Cilindro fornito scarico e può essere utilizzato solo in una connessione permanente (senza valvola unidirezionale)
ESP	Cilindro conexionalable	Cilindro de gas suministrado descargado y sólo puede ser usado en un sistema conexionado permanente (sin válvula de carga)
POR	Cilindro de gas interligado	Cilindro de gás fornecido descarregado, apenas pode ser utilizado em um sistema interligado permanente (sem válvula de carga)

### C20-038



### KC 1000

Gas spring only to be used in a permanent connection (valveless)

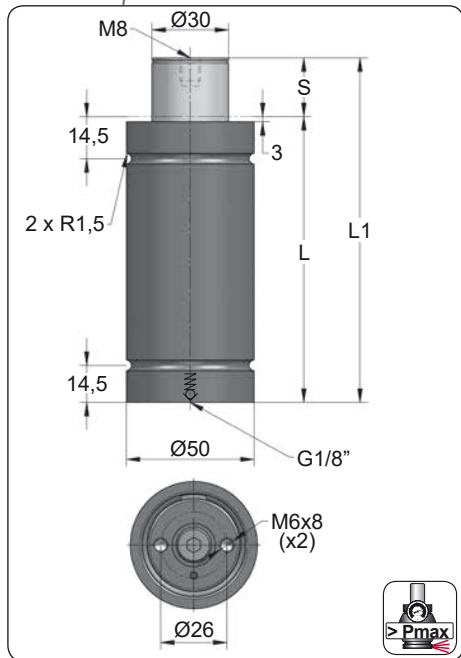


CODE	CS-KC 1000 050 V1	KIT S-XXXXXXX	C20-038	SKK 12R 1/8
ENG	ORDER	GAS SPRING	FLANGE	CHARGING ADAPTER
DEU	BESTELLUNG	GASDRUCKFEDER	FLANSCH	LADEADAPTER
FRA	COMMANDE	RESSORT À GAZ	BRIDE	RACCORD DE CHARGE
ITA	ORDINE	CILINDRO AD AZOTO	FLANGE	ADATTATORE DI CARICO
ESP	PEDIDO	RESORTE DE GAS	BRIDA	ADAPTADOR DE CARGA
POR	PEDIDO	CILINDRO DE GÁS	FLANGE	ADAPTADOR DE CARGA

# CS 1800 V1

Power Compact Stroke

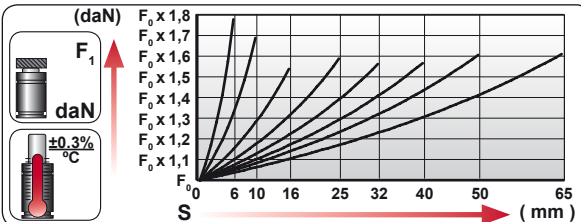
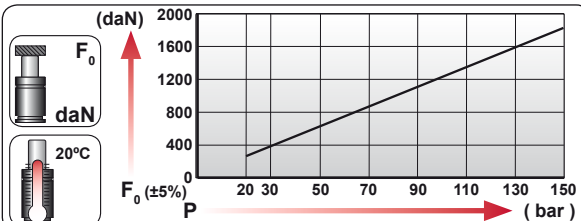
BMW B2 4006		PSA	E24.54.815.G



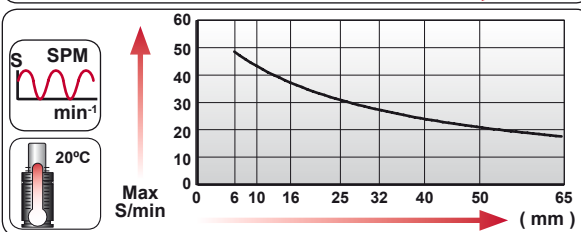
ORDER	S (mm)	L1 ±0,25 (mm)	L (mm)	Kg.
CS 1800 006 V1	6	66	60	0.68
CS 1800 010 V1	10	80	70	0.75
CS 1800 016 V1	16	106	90	0.88
CS 1800 025 V1	25	135	110	1.02
CS 1800 032 V1	32	162	130	1.16
CS 1800 040 V1	40	190	150	1.30
CS 1800 050 V1	50	220	170	1.45
CS 1800 065 V1	65	271	206	1.70



CODE					
		bar	psi	daN	daN
CS 1800 050 V1		150	2175	1885	3015
-----		---	---	---	---



	ENG ORDER DEU BESTELLUNG FRA COMMANDE ITA ORDINE ESP PEDIDO POR PEDIDO		
		daN	mm
		CS 1800	50
		CS 1800 050 V1	



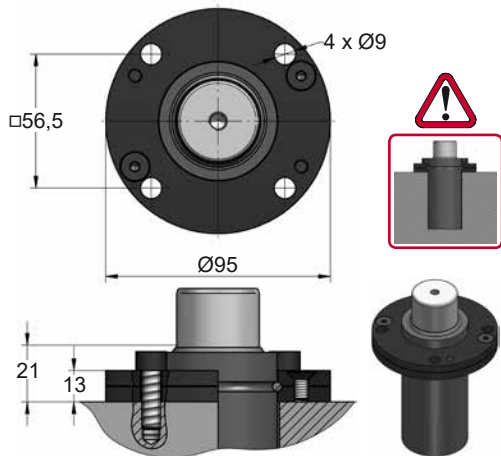
N <sub>2</sub>	S <sub>max</sub> < 90%	V <sub>max</sub> 0,5 m/s	P <sub>min</sub> (20°C)	P <sub>max</sub> (20°C)	T <sub>min</sub>	T <sub>max</sub>	

bar	psi	bar	psi	°C	°F	°C	°F	
20	290	150	2175	0	32	80	176	

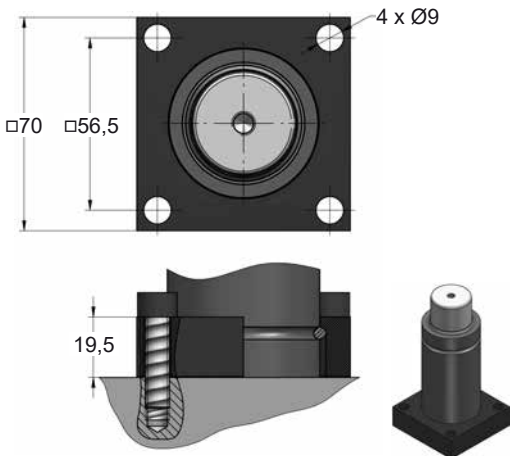
# CS 1800 V1 MOUNTS

Power Compact Stroke

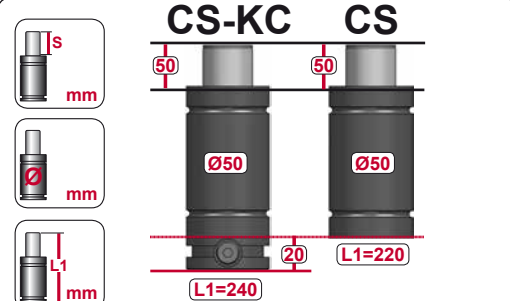
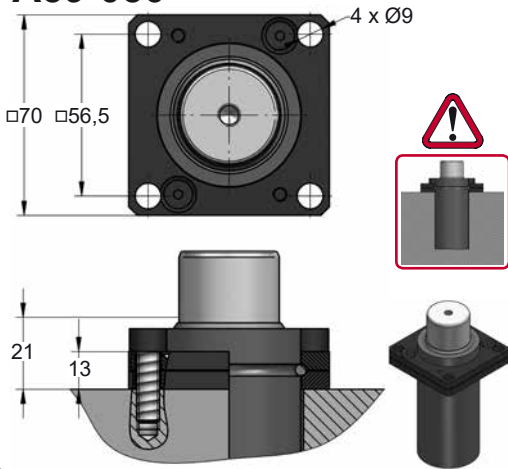
## A49-050



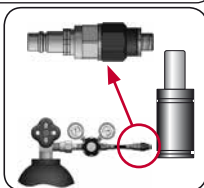
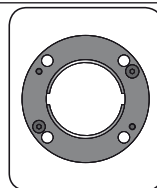
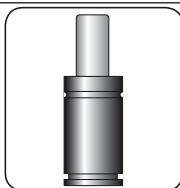
## A54-050



## A59-050



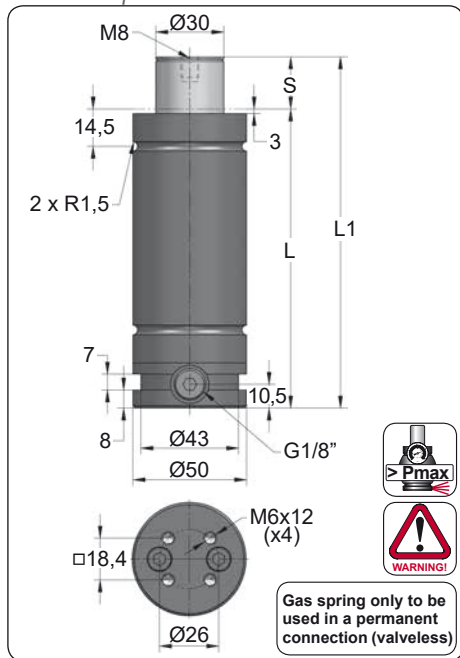
CODE			F <sub>0</sub>		F <sub>1</sub>	
			bar	psi	daN	daN
CS 1800 050 V1			150	2175	1885	3015
CS-KC 1800 050 V1			0	0	---	---



CODE	CS 1800 050 V1	KIT S-XXXXXXX	A49-050	18 CG 1-Q
ENG ORDER	GAS SPRING	REPAIR KIT	FLANGE	CHARGING ADAPTER
DEU BESTELLUNG	GASDRUCKFEDER	ERSATZTEILSATZ	FLANSCH	LADEADAPTER
FRA COMMANDE	RESSORT À GAZ	KIT DE RÉPARATION	BRIDE	RACCORD DE CHARGE
ITA ORDINE	CILINDRO AD AZOTO	KIT DI MANUTENZIONE	FLANGE	ADATTATORE DI CARICO
ESP PEDIDO	RESORTE DE GAS	KIT DE REPARACION	BRIDA	ADAPTADOR DE CARGA
POR PEDIDO	CILINDRO DE GAS	KIT DE MANUTENÇÃO	FLANGE	ADAPTADOR DE CARGA

# CS-KC 1800 V1

Power Compact Stroke



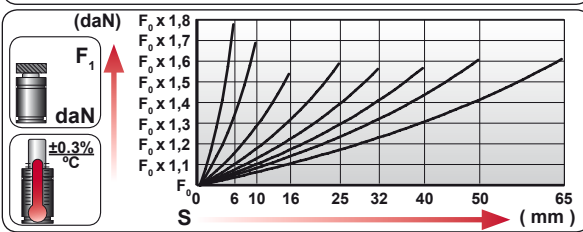
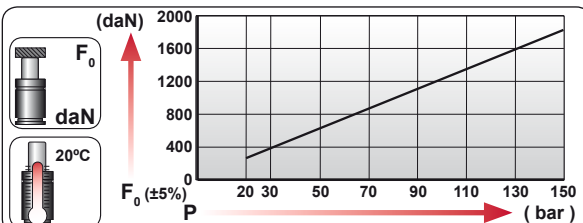
Gas spring only to be used in a permanent connection (valveless)

ORDER	S (mm)	L1 ±0,25 (mm)	L (mm)	Kg.
CS-KC 1800 006 V1	6	86	80	0.95
CS-KC 1800 010 V1	10	100	90	1.02
CS-KC 1800 016 V1	16	126	110	1.15
CS-KC 1800 025 V1	25	155	130	1.29
CS-KC 1800 032 V1	32	182	150	1.43
CS-KC 1800 040 V1	40	210	170	1.57
CS-KC 1800 050 V1	50	240	190	1.71
CS-KC 1800 065 V1	65	291	226	1.97



CODE	Pressure Gauge	bar	psi	F <sub>0</sub> daN	F <sub>1</sub> daN
CS-KC 1800 050 V1		0	0	---	---

ENG Gas spring only to be used in a permanent connection (valveless)  
 DEU Gasdruckfeder kann nur im Verbund eingesetzt werden (ohne Ventil)  
 FRA Ressort à gaz ne peut être utilisé que relié dans une connexion (sans valve)  
 ITA Cilindro può essere utilizzato solo in una connessione permanente (senza valvola)  
 ESP Cilindro de gas sólo puede ser usado en un sistema conexonado (sin válvula)  
 POR Cilindro de gás apenas pode ser utilizado em um sistema interligado (sem válvula)

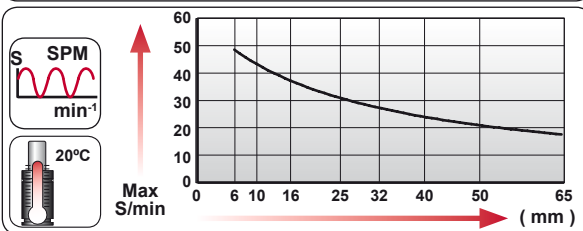


ENG ORDER  
 DEU BESTELLUNG  
 FRA COMMANDE  
 ITA ORDINE  
 ESP PEDIDO  
 POR PEDIDO

F<sub>0</sub> daN  
 S mm

CS-KC 1800 50

CS-KC 1800 050 V1



N<sub>2</sub>
 S<sub>max</sub> < 90%
 V<sub>max</sub> 0,5 m/s
 P<sub>min</sub> (20°C)
 P<sub>max</sub> (20°C)
 T<sub>min</sub>
 T<sub>max</sub>
 600 CP-

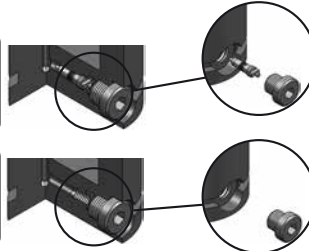
N <sub>2</sub>	S <sub>max</sub> < 90%	V <sub>max</sub> 0,5 m/s	bar psi	bar psi	°C °F	°C °F	600 CP-
			20 290	150 2175	0 32	80 176	



### ONLY PERMANENT HOSED GAS SPRINGS

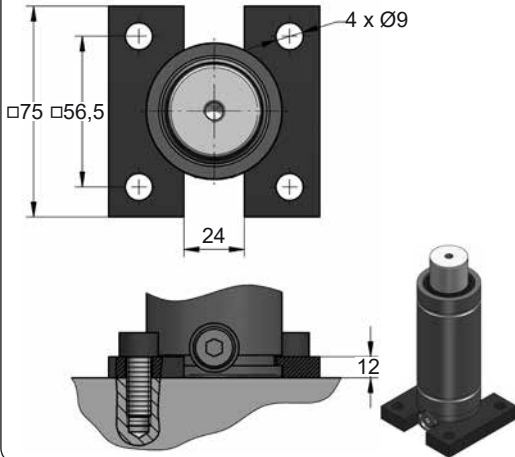


CODE		bar	psi	daN	daN
-----		---	---	---	---
CS-KC 1800 050 V1		0	0	---	---



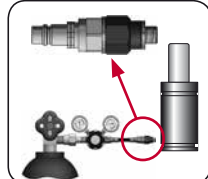
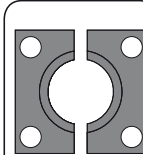
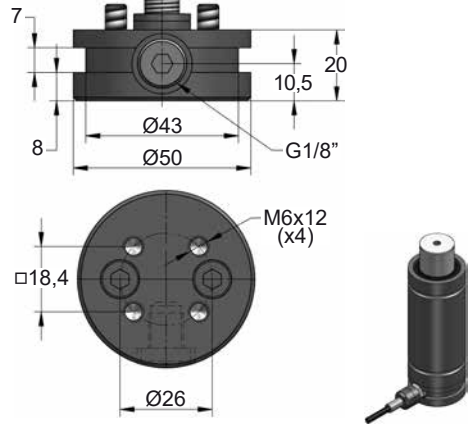
ENG	Hosed gas spring	Gas spring delivered unfilled and it can only be used in a permanent connection (valveless)
DEU	Gasdruckfeder zum verschlauchen	Gasdruckfeder wird drucklos angeliefert und kann nur im Verbund eingesetzt werden (ohne Ventil)
FRA	Ressort à gaz relié	Ressort à gaz fourni non chargé et il ne peut être utilisé que relié dans une connexion permanente (sans valve de charge)
ITA	Cilindro collegabile	Cilindro fornito scarico e può essere utilizzato solo in una connessione permanente (senza valvola unidirezionale)
ESP	Cilindro conexionable	Cilindro de gas suministrado descargado y sólo puede ser usado en un sistema conexionado permanente (sin válvula de carga)
POR	Cilindro de gas interligado	Cilindro de gás fornecido descarregado, apenas pode ser utilizado em um sistema interligado permanente (sem válvula de carga)

### C20-050



### KC 1800

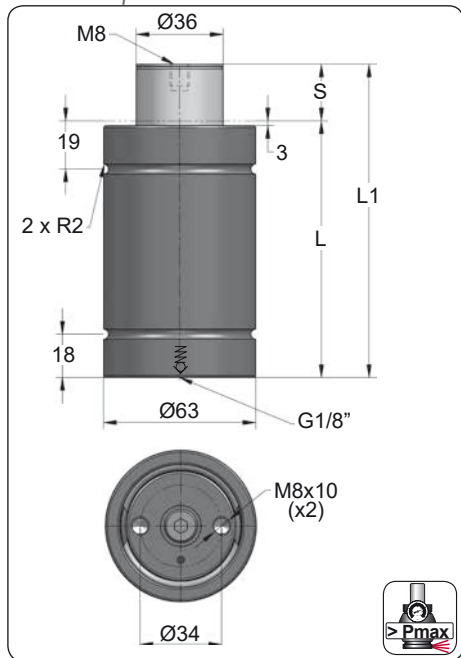
Gas spring only to be used in a permanent connection (valveless)



CODE	CS-KC 1800 050 V1	KIT S-XXXXXXX	C20-050	SKK 12R 1/8
ENG	ORDER	GAS SPRING	FLANGE	CHARGING ADAPTER
DEU	BESTELLUNG	GASDRUCKFEDER	FLANSCH	LADEADAPTER
FRA	COMMANDE	RESSORT À GAZ	BRIDE	RACCORD DE CHARGE
ITA	ORDINE	CILINDRO AD AZOTO	FLANGE	ADATTATORE DI CARICO
ESP	PEDIDO	RESORTE DE GAS	BRIDA	ADAPTADOR DE CARGA
POR	PEDIDO	CILINDRO DE GÁS	FLANGE	ADAPTADOR DE CARGA

# CS 3000 V2

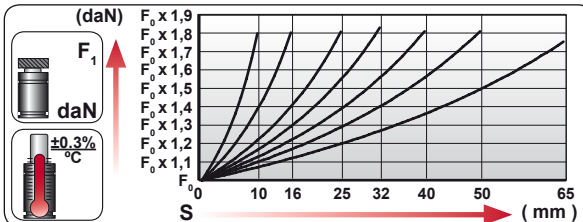
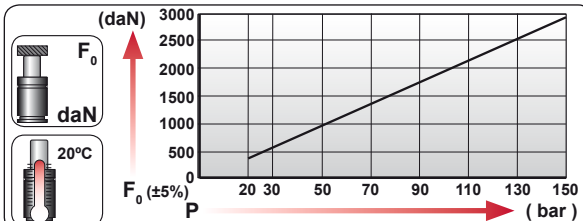
Power Compact Stroke



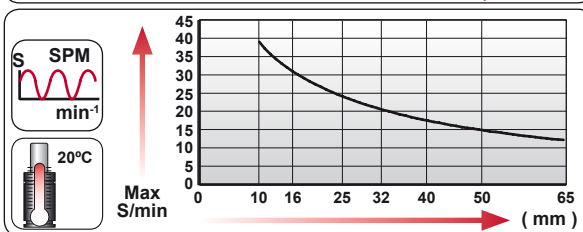
ORDER	S (mm)	L1 ±0,25 (mm)	L (mm)	Kg.
CS 3000 010 V2	10	85	75	1.32
CS 3000 016 V2	16	103	87	1.46
CS 3000 025 V2	25	130	105	1.66
CS 3000 032 V2	32	150	118	1.81
CS 3000 040 V2	40	175	135	2.00
CS 3000 050 V2	50	205	155	2.23
CS 3000 065 V2	65	256	191	2.62



CODE				
		bar psi	daN	daN
CS 3000 050 V2		150 2175	2945	5385
-----		-----	-----	-----



	ENG ORDER DEU BESTELLUNG FRA COMMANDE ITA ORDINE ESP PEDIDO POR PEDIDO		
		daN	mm
	CS 3000 50		
	<b>CS 3000 050 V2</b>		



N <sub>2</sub>	S <sub>max</sub> < 90%	V <sub>max</sub> 0,5 m/s	P <sub>min</sub> (20°C)	P <sub>max</sub> (20°C)	T <sub>min</sub>	T <sub>max</sub>	

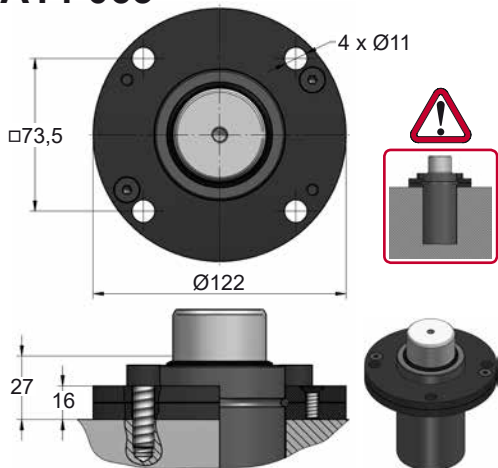
N <sub>2</sub>	S <sub>max</sub> < 90%	V <sub>max</sub> 0,5 m/s	bar psi	bar psi	°C °F	°C °F	°C °F	
			20 290	150 2175	0 32	80 176		



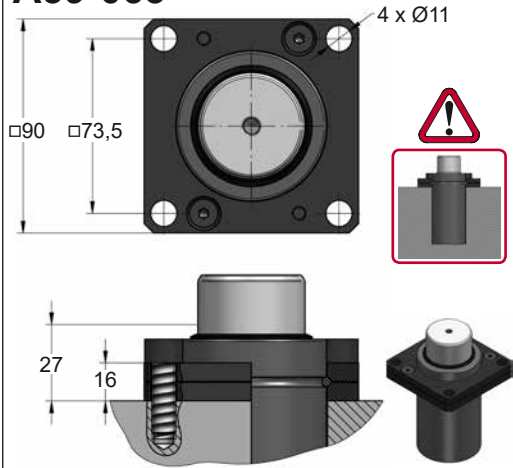
# CS 3000 V2 MOUNTS

Power Compact Stroke

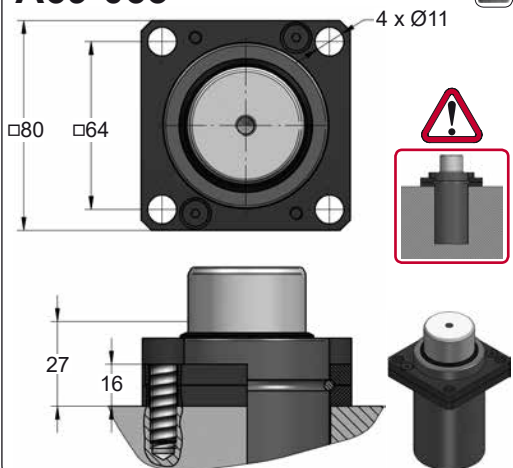
## A14-063



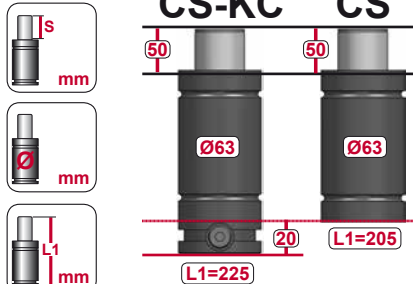
## A39-063



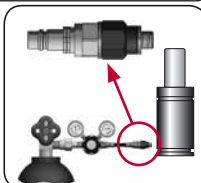
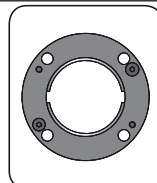
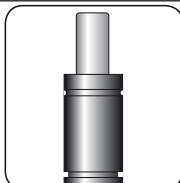
## A69-063



## CS-KC CS



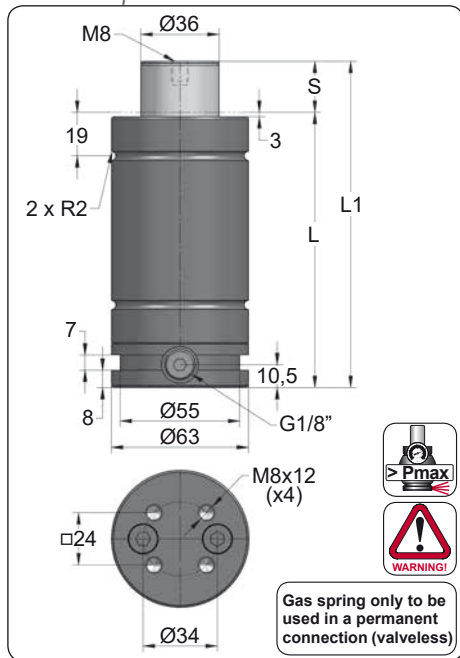
CODE			F <sub>0</sub>		F <sub>1</sub>	
			bar	psi	daN	daN
CS 3000 050 V1			150	2175	2945	5385
CS-KC 3000 050 V1			0	0	---	---



CODE	CS 3000 050 V2	KIT S-XXXXXXX	A14-063	18 CG 1-Q
ENG ORDER	GAS SPRING	REPAIR KIT	FLANGE	CHARGING ADAPTER
DEU BESTELLUNG	GASDRUCKFEDER	ERSATZTEILSATZ	FLANSCH	LADEADAPTER
FRA COMMANDE	RESSORT À GAZ	KIT DE RÉPARATION	BRIDE	RACCORD DE CHARGE
ITA ORDINE	CILINDRO AD AZOTO	KIT DI MANUTENZIONE	FLANGE	ADATTATORE DI CARICO
ESP PEDIDO	RESORTE DE GAS	KIT DE REPARACION	BRIDA	ADAPTADOR DE CARGA
POR PEDIDO	CILINDRO DE GAS	KIT DE MANUTENÇÃO	FLANGE	ADAPTADOR DE CARGA

# CS-KC 3000 V2

Power Compact Stroke



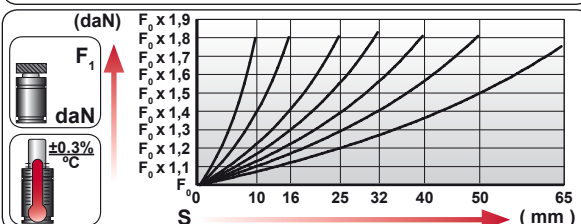
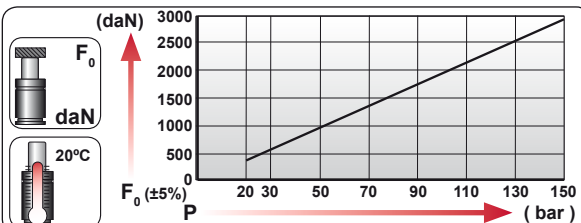
Gas spring only to be used in a permanent connection (valveless)

ORDER	S (mm)	L1 ±0,25 (mm)	L (mm)	Kg.
CS-KC 3000 010 V2	10	105	95	1.74
CS-KC 3000 016 V2	16	123	107	1.88
CS-KC 3000 025 V2	25	150	125	2.08
CS-KC 3000 032 V2	32	170	138	2.23
CS-KC 3000 040 V2	40	195	155	2.42
CS-KC 3000 050 V2	50	225	175	2.65
CS-KC 3000 065 V2	65	276	211	3.04

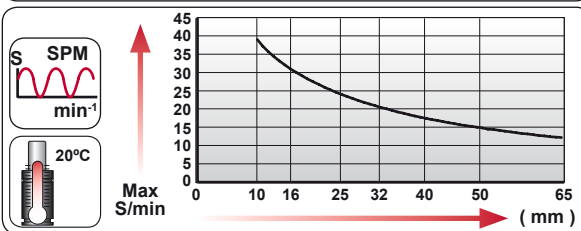


CODE				
	bar	psi	daN	daN
CS-KC 3000 050 V2	0	0	---	---

ENG Gas spring only to be used in a permanent connection (valveless)  
 DEU Gasdruckfeder kann nur im Verbund eingesetzt werden (ohne Ventil)  
 FRA Ressort à gaz ne peut être utilisé que relié dans une connexion (sans valve)  
 ITA Cilindro può essere utilizzato solo in una connessione permanente (senza valvola)  
 ESP Cilindro de gas sólo puede ser usado en un sistema conexonado (sin válvula)  
 POR Cilindro de gás apenas pode ser utilizado em um sistema interligado (sem válvula)



	ENG ORDER DEU BESTELLUNG FRA COMMANDE ITA ORDINE ESP PEDIDO POR PEDIDO		
		daN	mm
		CS-KC 3000	50
		CS-KC 3000 050 V2	



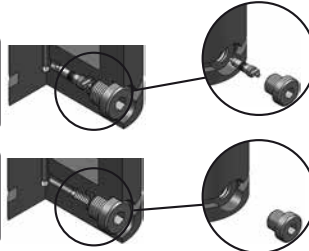
N <sub>2</sub>	S <sub>max</sub> < 90%	V <sub>max</sub> 0,5 m/s	P <sub>min</sub> (20°C)	P <sub>max</sub> (20°C)	T <sub>min</sub>	T <sub>max</sub>	

bar	psi	bar	psi	°C	°F	°C	°F	600 CP-
20	290	150	2175	0	32	80	176	

### ONLY PERMANENT HOSED GAS SPRINGS

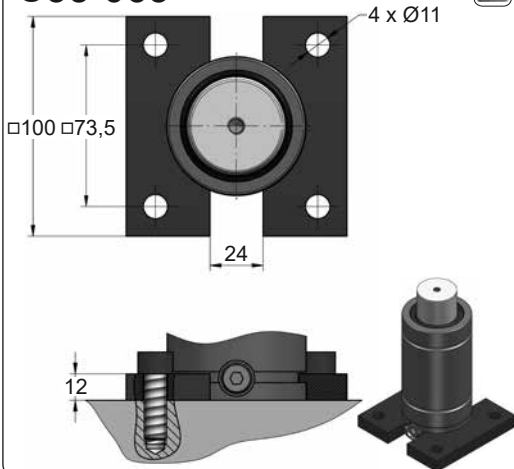


CODE			bar	psi	F <sub>0</sub> daN	F <sub>1</sub> daN
-----			---	---	---	---
CS-KC 3000 050 V2			0	0	---	---



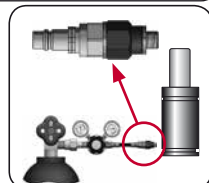
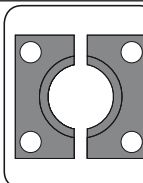
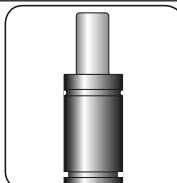
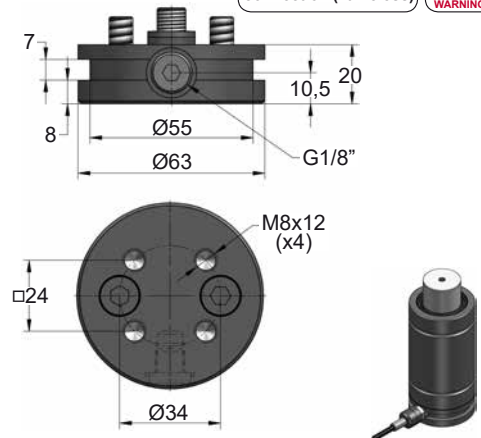
ENG	Hosed gas spring	Gas spring delivered unfilled and it can only be used in a permanent connection (valveless)
DEU	Gasdruckfeder zum verschlauchen	Gasdruckfeder wird drucklos angeliefert und kann nur im Verbund eingesetzt werden (ohne Ventil)
FRA	Ressort à gaz relié	Ressort à gaz fourni non chargé et il ne peut être utilisé que relié dans une connexion permanente (sans valve de charge)
ITA	Cilindro collegabile	Cilindro fornito scarico e può essere utilizzato solo in una connessione permanente (senza valvola unidirezionale)
ESP	Cilindro conexionalable	Cilindro de gas suministrado descargado y sólo puede ser usado en un sistema conexionado permanente (sin válvula de carga)
POR	Cilindro de gas interligado	Cilindro de gás fornecido descarregado, apenas pode ser utilizado em um sistema interligado permanente (sem válvula de carga)

### C35-063



### KC 3000

Gas spring only to be used in a permanent connection (valveless)

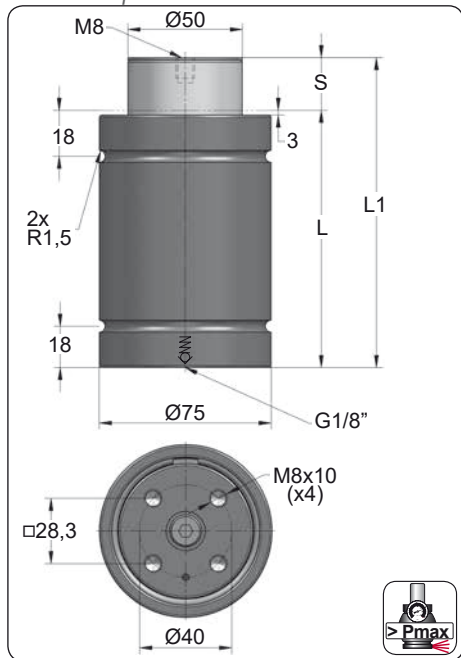


CODE	CS-KC 3000 050 V2	KIT S-XXXXXXX	C35-063	SKK 12R 1/8
ENG	ORDER	GAS SPRING	FLANGE	CHARGING ADAPTER
DEU	BESTELLUNG	GASDRUCKFEDER	FLANSCH	LADEADAPTER
FRA	COMMANDE	RESSORT À GAZ	BRIDE	RACCORD DE CHARGE
ITA	ORDINE	CILINDRO AD AZOTO	FLANGE	ADATTATORE DI CARICO
ESP	PEDIDO	RESORTE DE GAS	BRIDA	ADAPTADOR DE CARGA
POR	PEDIDO	CILINDRO DE GÁS	FLANGE	ADAPTADOR DE CARGA

# CS 4700 V1

Power Compact Stroke

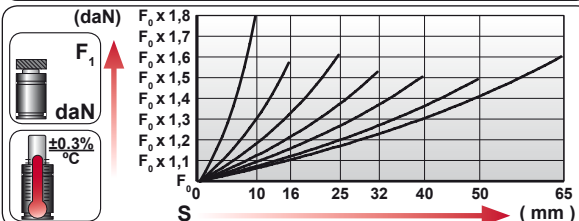
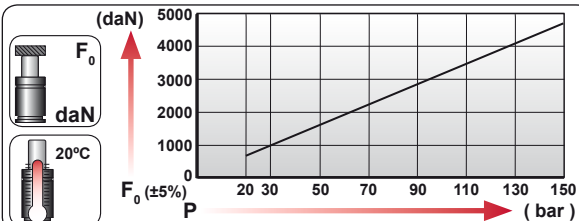
BMW B2 4006	PSA	E24.54.815.G



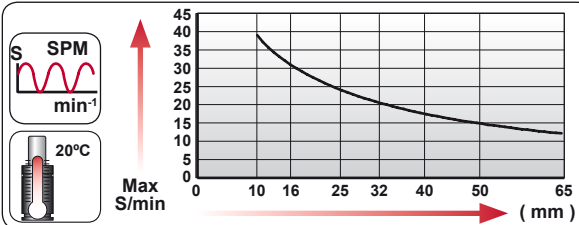
ORDER	S (mm)	L1 ±0,25 (mm)	L (mm)	Kg.
CS 4700 010 V1	10	80	70	1.70
CS 4700 016 V1	16	106	90	1.94
CS 4700 025 V1	25	135	110	2.20
CS 4700 032 V1	32	167	135	2.49
CS 4700 040 V1	40	200	160	2.79
CS 4700 050 V1	50	240	190	3.15
CS 4700 065 V1	65	273	208	3.42



CODE				
	bar	psi	daN	daN
CS 4700 050 V1	150	2175	4675	6885
-----	---	---	---	---



ENG ORDER	DEU BESTELLUNG	FRA COMMANDE	ITA ORDINE	ESP PEDIDO	POR PEDIDO
CS	4700	50			
CS 4700 050 V1					



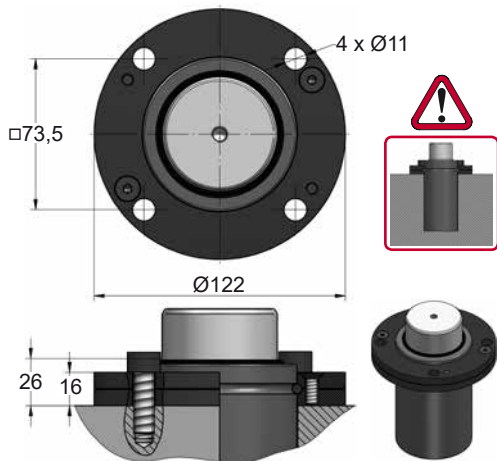
N <sub>2</sub>	S <sub>max</sub> < 90%	V <sub>max</sub> 0,5 m/s	P <sub>min</sub> (20°C)	P <sub>max</sub> (20°C)	T <sub>min</sub>	T <sub>max</sub>	

bar	psi	bar	psi	°C	°F	°C	°F	<b>X</b>
20	290	150	2175	0	32	80	176	

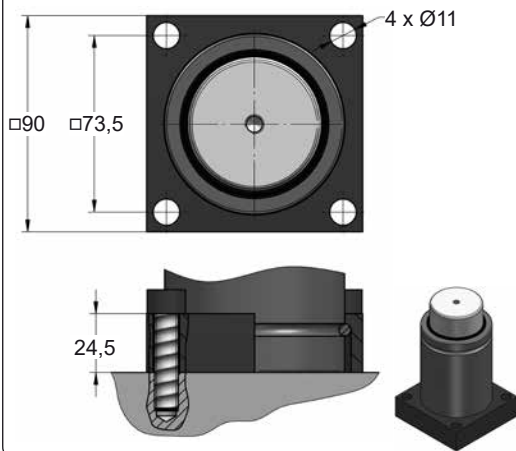
# CS 4700 V1 MOUNTS

Power Compact Stroke

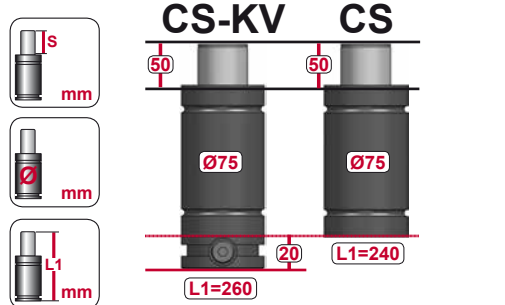
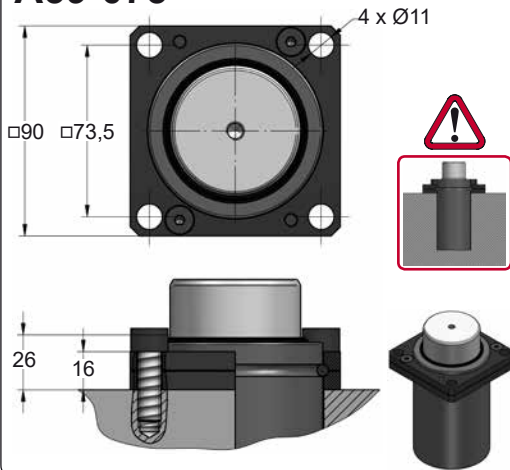
## A49-075



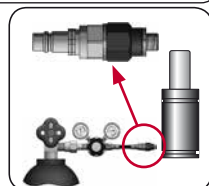
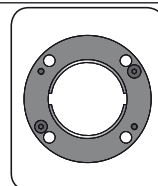
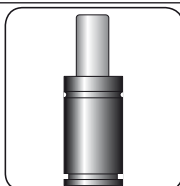
## A54-075



## A59-075



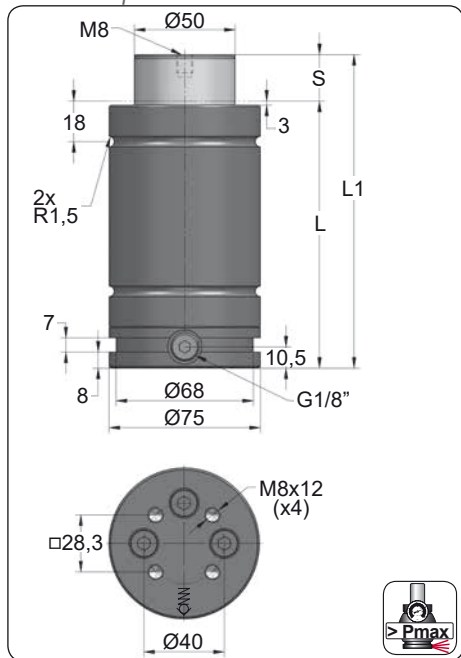
CODE	Pressure		Force	
	bar	psi	F <sub>0</sub> daN	F <sub>1</sub> daN
CS 4700 050 V1	150	2175	4675	6885
CS-KV 4700 050 V1	150	2175	4675	6885



CODE	CS 4700 050 V1	KIT S-XXXXXXX	A49-075	18 CG 1-Q
ENG ORDER	GAS SPRING	REPAIR KIT	FLANGE	CHARGING ADAPTER
DEU BESTELLUNG	GASDRUCKFEDER	ERSATZTEILSATZ	FLANSCHSE	LADEADAPTER
FRA COMMANDE	RESSORT À GAZ	KIT DE RÉPARATION	BRIDE	RACCORD DE CHARGE
ITA ORDINE	CILINDRO AD AZOTO	KIT DI MANUTENZIONE	FLANGE	ADATTATORE DI CARICO
ESP PEDIDO	RESORTE DE GAS	KIT DE REPARACION	BRIDA	ADAPTADOR DE CARGA
POR PEDIDO	CILINDRO DE GAS	KIT DE MANUTENÇÃO	FLANGE	ADAPTADOR DE CARGA

# CS-KV 4700 V1

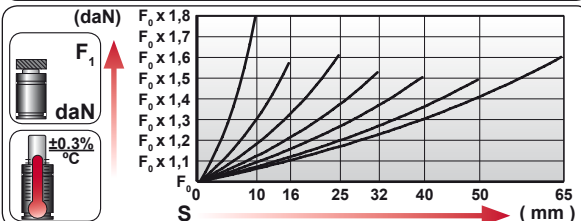
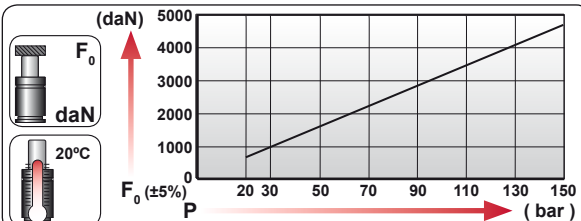
Power Compact Stroke



ORDER	S (mm)	L1 ±0,25 (mm)	L (mm)	Kg.
CS-KV 4700 010 V1	10	100	90	2.35
CS-KV 4700 016 V1	16	126	110	2.59
CS-KV 4700 025 V1	25	155	130	2.84
CS-KV 4700 032 V1	32	187	155	3.14
CS-KV 4700 040 V1	40	220	180	3.44
CS-KV 4700 050 V1	50	260	210	3.80
CS-KV 4700 065 V1	65	293	228	4.07

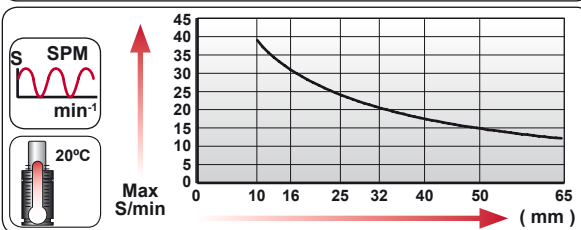


CODE	Pressure	Force F <sub>0</sub>	Force F <sub>1</sub>
	bar	psi	daN
CS-KV 4700 050 V1	150	2175	4675
CS-KV-H 4700 050 V1	0	0	---



ENG ORDER  
 DEU BESTELLUNG  
 FRA COMMANDE  
 ITA ORDINE  
 ESP PEDIDO  
 POR PEDIDO

**CS-KV 4700**      **50**  
**CS-KV 4700 050 V1**



N <sub>2</sub>	Smax < 90%	Vmax 0,5 m/s	bar psi	bar psi	°C °F	°C °F	600 CP-
			20 290	150 2175	0 32	80 176	



## SELF-CONTAINED OR HOSED GAS SPRINGS

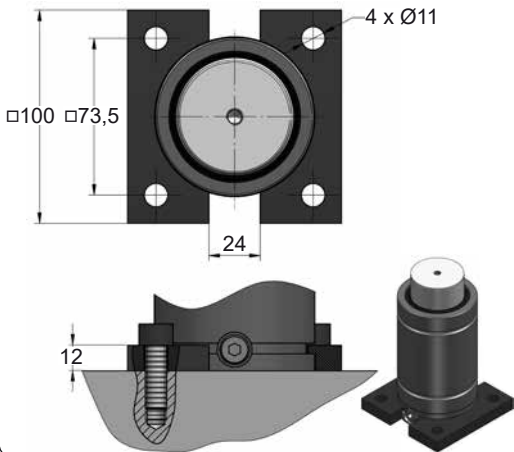


CODE			bar	psi	F <sub>0</sub> daN	F <sub>1</sub> daN
CS-KV 4700 050 V1			150	2175	4675	6885
CS-KV-H 4700 050 V1			0	0	---	---



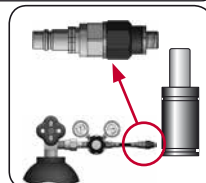
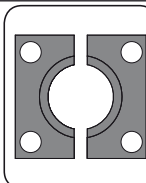
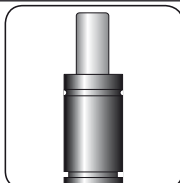
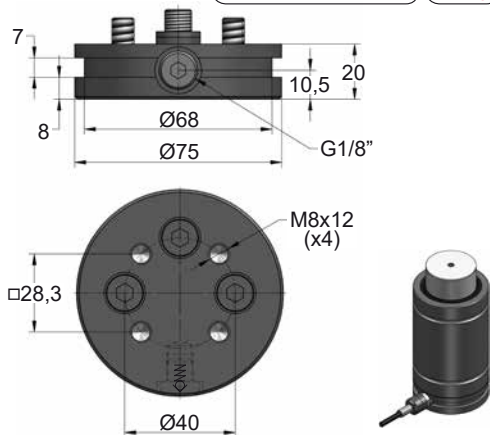
	ENG	Self-contained gas spring	Gas spring delivered charged (with filling valve)
	DEU	Autonome Gasdruckfeder	Gasdruckfeder befüllt (mit Ventil)
	FRA	Ressort à gaz autonome	Ressort à gaz fourni chargé (avec valve de charge)
	ITA	Cilindro ad azoto autonomo	Cilindro fornito carico (con valvola di carico)
	ESP	Cilindro de gas autónomo	Cilindro de gas suministrado cargado (con válvula de carga)
	POR	Cilindro de gas autónomo	Cilindro de gás fornecido carregado (com válvula de carga)
	ENG	Ready to be hosed	Gas spring delivered unfilled (without filling valve)
	DEU	Fertig zum Verschlauchen	Gasdruckfeder drucklos und ohne Ventil
	FRA	Prêt à être relié	Ressort à gaz fourni non chargé (sans valve de charge)
	ITA	Pronto per essere collegato	Cilindro fornito scarico (senza valvola di carico)
ESP	Preparado para conectar	Cilindro de gas suministrado descargado (sin válvula de carga)	
POR	Pronto a ser interligado	Cilindro de gás fornecido descarregado (sem válvula de carga)	

### C20-075



### KV 4700

If used a hosed system  
remove the filling valve

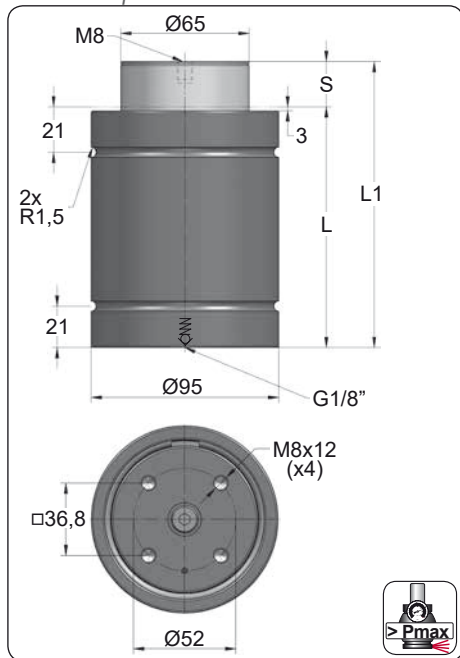


CODE	CS-KV 4700 050 V1	KIT S-XXXXXXX	C20-075	18 CG 1-Q
ENG	ORDER	GAS SPRING	FLANGE	CHARGING ADAPTER
DEU	BESTELLUNG	GASDRUCKFEDER	FLANSCHEN	LADEADAPTER
FRA	COMMANDE	RESSORT À GAZ	BRIDE	RACCORD DE CHARGE
ITA	ORDINE	CILINDRO AD AZOTO	FLANGE	ADATTATORE DI CARICO
ESP	PEDIDO	RESORTE DE GAS	BRIDA	ADAPTADOR DE CARGA
POR	PEDIDO	CILINDRO DE GÁS	FLANGE	ADAPTADOR DE CARGA

# CS 7500 V1

Power Compact Stroke

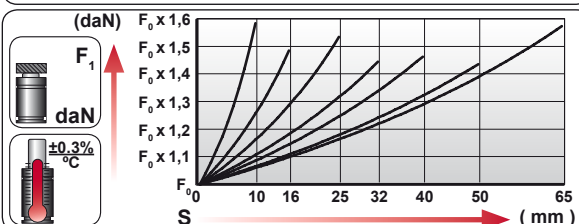
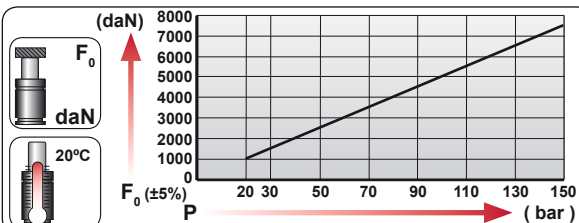
BMW B2 4006	PSA	E24.54.815.G



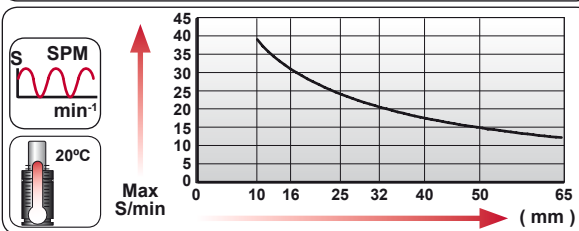
ORDER	S (mm)	L1 ±0,25 (mm)	L (mm)	Kg.
CS 7500 010 V1	10	90	80	3.16
CS 7500 016 V1	16	116	100	3.57
CS 7500 025 V1	25	145	120	4.01
CS 7500 032 V1	32	182	150	4.59
CS 7500 040 V1	40	210	170	5.02
CS 7500 050 V1	50	255	205	5.73
CS 7500 065 V1	65	279	214	6.07



CODE				
	bar	psi	daN	daN
CS 7500 050 V1	150	2175	7540	10765
-----	---	---	---	---



	ENG ORDER DEU BESTELLUNG FRA COMMANDE ITA ORDINE ESP PEDIDO POR PEDIDO		
		daN	mm
		CS 7500	50
		CS 7500 050 V1	



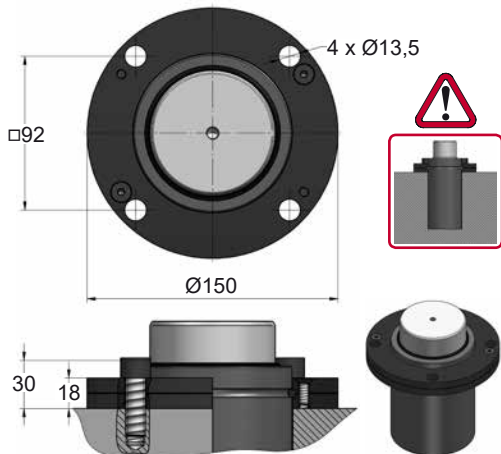
N <sub>2</sub>	S <sub>max</sub> < 90%	V <sub>max</sub> 0,5 m/s	P <sub>min</sub> (20°C)	P <sub>max</sub> (20°C)	T <sub>min</sub>	T <sub>max</sub>	

N <sub>2</sub>	S <sub>max</sub> < 90%	V <sub>max</sub> 0,5 m/s	bar psi	bar psi	°C °F	°C °F	°C °F	
			20 290	150 2175	0 32	80 176		

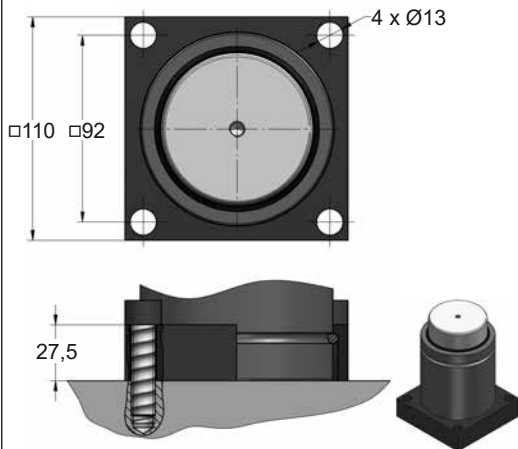
# CS 7500 V1 MOUNTS

Power Compact Stroke

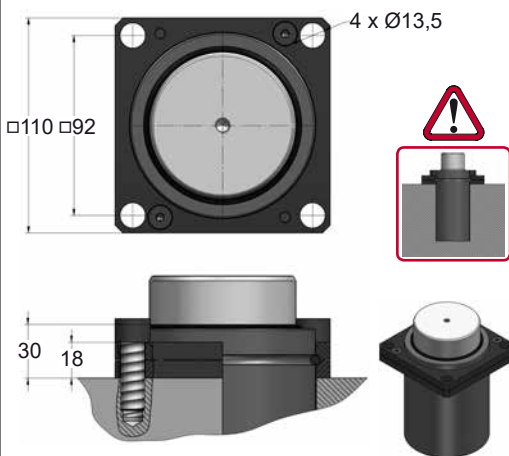
## A49-095



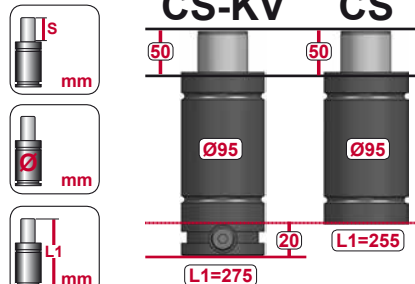
## A54-095



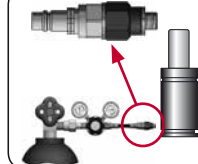
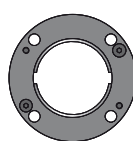
## A59-095



## CS-KV CS



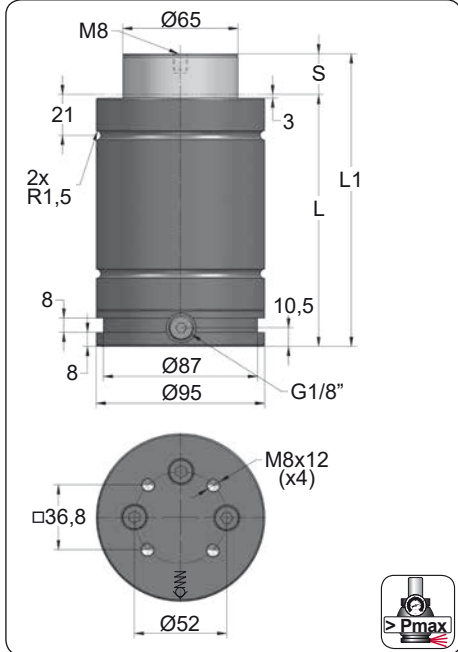
CODE	Pressure		Force	
	bar	psi	F <sub>0</sub> daN	F <sub>1</sub> daN
CS 7500 050 V1	150	2175	7540	10765
CS-KV 7500 050 V1	150	2175	7540	10765



CODE	CS 7500 050 V1	KIT S-XXXXXXX	A49-095	18 CG 1-Q
ENG ORDER	GAS SPRING	REPAIR KIT	FLANGE	CHARGING ADAPTER
DEU BESTELLUNG	GASDRUCKFEDER	ERSATZTEILSATZ	FLANSCH	LADEADAPTER
FRA COMMANDE	RESSORT À GAZ	KIT DE RÉPARATION	BRIDE	RACCORD DE CHARGE
ITA ORDINE	CILINDRO AD AZOTO	KIT DI MANUTENZIONE	FLANGE	ADATTATORE DI CARICO
ESP PEDIDO	RESORTE DE GAS	KIT DE REPARACION	BRIDA	ADAPTADOR DE CARGA
POR PEDIDO	CILINDRO DE GAS	KIT DE MANUTENÇÃO	FLANGE	ADAPTADOR DE CARGA

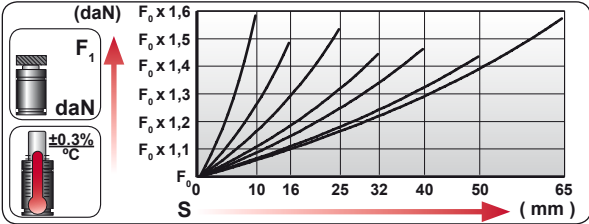
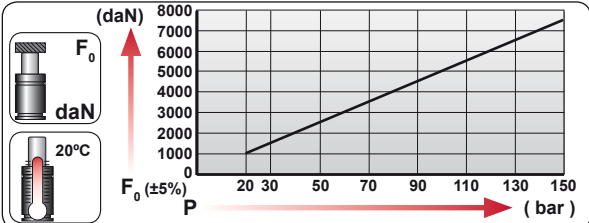
# CS-KV 7500 V1

Power Compact Stroke

ORDER	S (mm)	L1 ±0,25 (mm)	L (mm)	Kg.
CS-KV 7500 010 V1	10	110	100	4.16
CS-KV 7500 016 V1	16	136	120	4.57
CS-KV 7500 025 V1	25	165	140	5.01
CS-KV 7500 032 V1	32	202	170	5.59
CS-KV 7500 040 V1	40	230	190	6.03
CS-KV 7500 050 V1	50	275	225	6.73
CS-KV 7500 065 V1	65	299	234	7.08

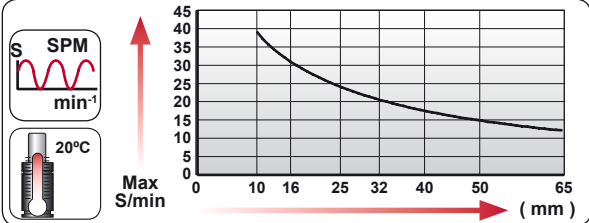
CODE	Pressure Gauge	bar	psi	F <sub>0</sub> daN	F <sub>1</sub> daN
CS-KV 7500 050 V1		150	2175	7540	10765
CS-KV-H 7500 050 V1		0	0	---	---



Language	Order Code	F <sub>0</sub> daN	S mm
ENG	ORDER		
DEU	BESTELLUNG		
FRA	COMMANDE		
ITA	ORDINE		
ESP	PEDIDO		
POR	PEDIDO		

CS-KV 7500 50

CS-KV 7500 050 V1



N<sub>2</sub>

S<sub>max</sub> < 90%

V<sub>max</sub> 0,5 m/s

P<sub>min</sub> (20°C)  
P<sub>max</sub> (20°C)

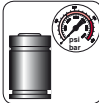
T<sub>min</sub>  
T<sub>max</sub>

600 CP-

bar	psi	bar	psi	°C	°F	°C	°F	600 CP-
20	290	150	2175	0	32	80	176	

### SELF-CONTAINED OR HOSED GAS SPRINGS

CODE			bar	psi	F <sub>0</sub> daN	F <sub>1</sub> daN
CS-KV 7500 050 V1			150	2175	7540	10765
CS-KV-H 7500 050 V1			0	0	---	---

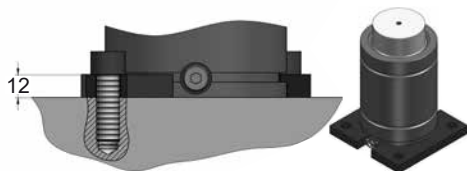
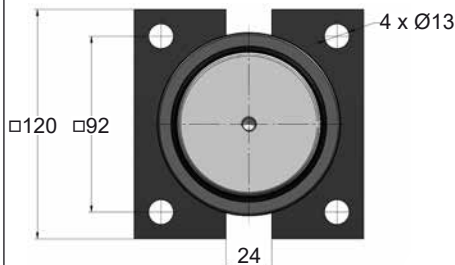


	ENG	Self-contained gas spring	Gas spring delivered charged (with filling valve)
	DEU	Autonome Gasdruckfeder	Gasdruckfeder befüllt (mit Ventil)
	FRA	Ressort à gaz autonome	Ressort à gaz fourni chargé (avec valve de charge)
	ITA	Cilindro ad azoto autonomo	Cilindro fornito carico (con valvola di carico)
	ESP	Cilindro de gas autónomo	Cilindro de gas suministrado cargado (con válvula de carga)
	POR	Cilindro de gas autónomo	Cilindro de gás fornecido carregado (com válvula de carga)
	ENG	Ready to be hosed	Gas spring delivered unfilled (without filling valve)
	DEU	Fertig zum Verschlauchen	Gasdruckfeder drucklos und ohne Ventil
	FRA	Prêt à être relié	Ressort à gaz fourni non chargé (sans valve de charge)
	ITA	Pronto per essere collegato	Cilindro fornito scarico (senza valvola di carico)
ESP	Preparado para conectar	Cilindro de gas suministrado descargado (sin válvula de carga)	
POR	Pronto a ser interligado	Cilindro de gás fornecido descarregado (sem válvula de carga)	

### C20-095

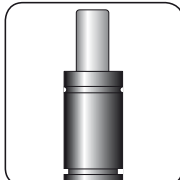
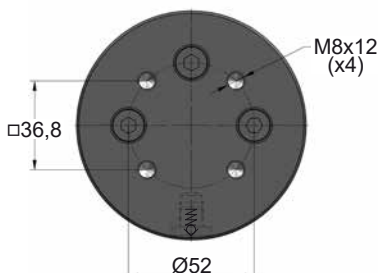
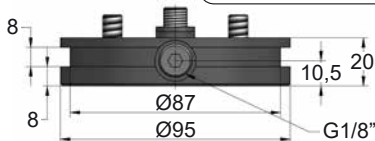


E24.54.815.G  
EM24.54.700/F

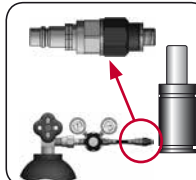
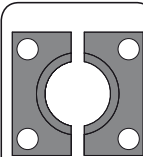


### KV 7500

If used a hosed system  
remove the filling valve



SEAL  
KIT S-XXXXXXX

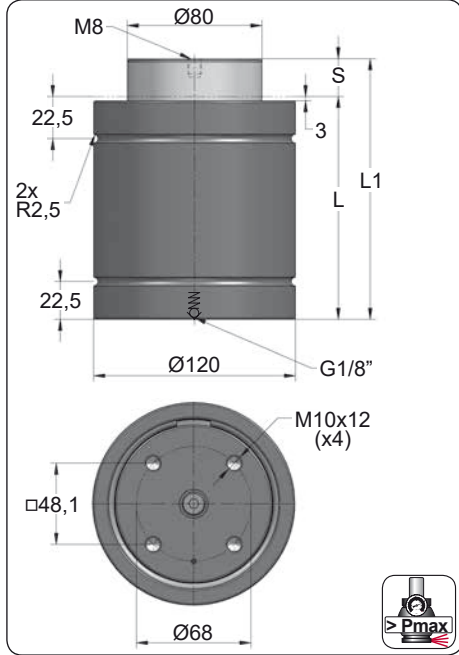


CODE	CS-KV 7500 050 V1	KIT S-XXXXXXX	C20-095	18 CG 1-Q
ENG	ORDER	GAS SPRING	FLANGE	CHARGING ADAPTER
DEU	BESTELLUNG	GASDRUCKFEDER	FLANSCH	LADEADAPTER
FRA	COMMANDE	RESSORT À GAZ	BRIDE	RACCORD DE CHARGE
ITA	ORDINE	CILINDRO AD AZOTO	FLANGE	ADATTATORE DI CARICO
ESP	PEDIDO	RESORTE DE GAS	BRIDA	ADAPTADOR DE CARGA
POR	PEDIDO	CILINDRO DE GÁS	FLANGE	ADAPTADOR DE CARGA

# CS 11800 V1

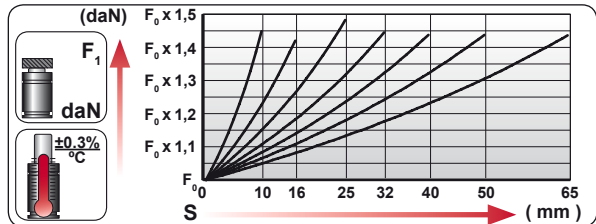
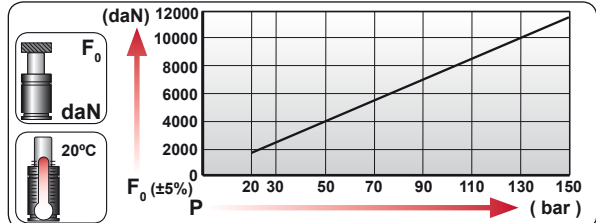
Power Compact Stroke

BMW B2 4006		

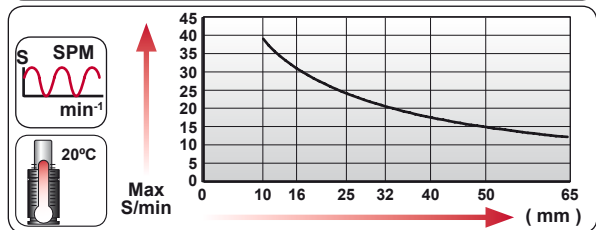


ORDER	S (mm)	L1 ±0,25 (mm)	L (mm)	Kg.
CS 11800 010 V1	10	100	90	5.70
CS 11800 016 V1	16	126	110	6.37
CS 11800 025 V1	25	155	130	7.10
CS 11800 032 V1	32	187	155	7.93
CS 11800 040 V1	40	220	180	8.77
CS 11800 050 V1	50	260	210	9.79
CS 11800 065 V1	65	320	255	11.32

CODE				
	bar	psi	daN	daN
CS 11800 050 V1	150	2175	11780	17145
-----	---	---	---	---



	ENG ORDER DEU BESTELLUNG FRA COMMANDE ITA ORDINE ESP PEDIDO POR PEDIDO		
		daN	mm
		CS 11800	50
		CS 11800 050 V1	



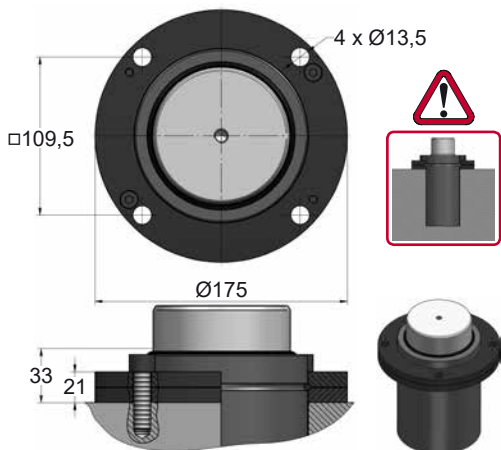
N <sub>2</sub>	S <sub>max</sub> < 90%	V <sub>max</sub> 0,5 m/s	P <sub>min</sub> (20°C)	P <sub>max</sub> (20°C)	T <sub>min</sub>	T <sub>max</sub>	

bar	psi	bar	psi	°C	°F	°C	°F	
20	290	150	2175	0	32	80	176	

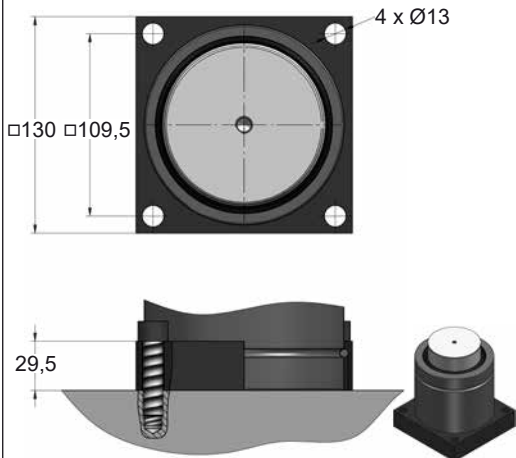
# CS 11800 V1 MOUNTS

Power Compact Stroke

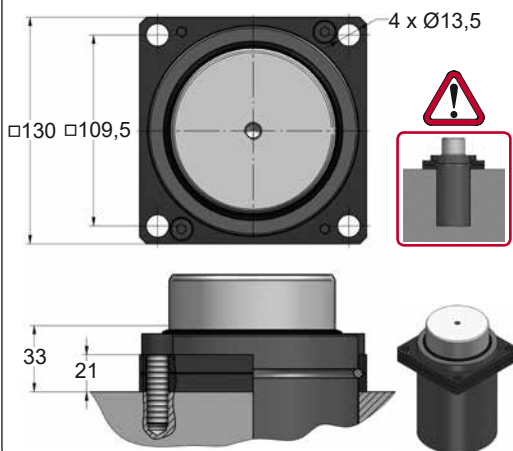
## A14-120



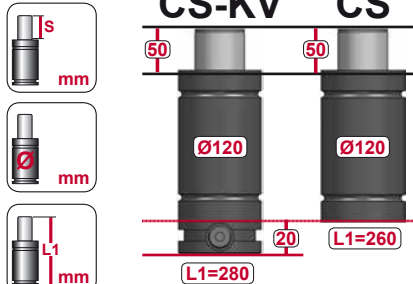
## A19-120



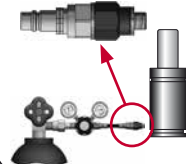
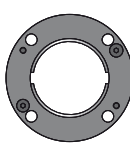
## A34-120



## CS-KV CS



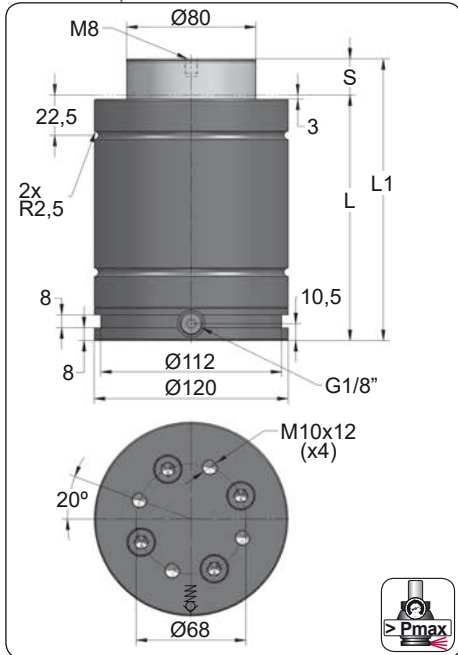
CODE					
	bar	psi	daN	daN	daN
CS 11800 050 V1	150	2175	11780	17145	17145
CS-KV 11800 050 V1	150	2175	11780	17145	17145



CODE	CS 11800 050 V1	KIT S-XXXXXXX	A14-120	18 CG 1-Q
ENG ORDER	GAS SPRING	REPAIR KIT	FLANGE	CHARGING ADAPTER
DEU BESTELLUNG	GASDRUCKFEDER	ERSATZTEILSATZ	FLANSCH	LADEADAPTER
FRA COMMANDE	RESSORT À GAZ	KIT DE RÉPARATION	BRIDE	RACCORD DE CHARGE
ITA ORDINE	CILINDRO AD AZOTO	KIT DI MANUTENZIONE	FLANGE	ADATTATORE DI CARICO
ESP PEDIDO	RESORTE DE GAS	KIT DE REPARACION	BRIDA	ADAPTADOR DE CARGA
POR PEDIDO	CILINDRO DE GAS	KIT DE MANUTENÇÃO	FLANGE	ADAPTADOR DE CARGA

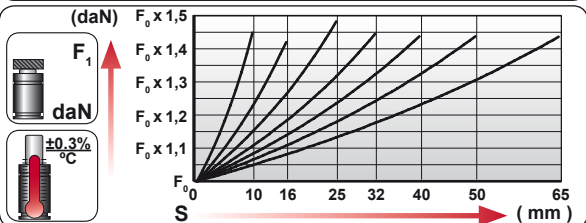
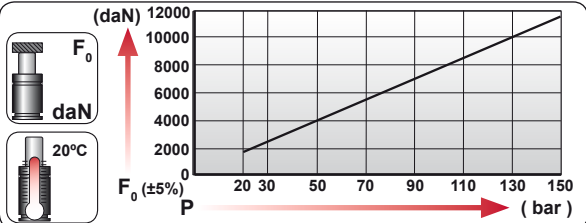
# CS-KV 11800 V1

Power Compact Stroke

ORDER	S (mm)	L1 ±0,25 (mm)	L (mm)	Kg.
CS-KV 11800 010 V1	10	120	110	7.36
CS-KV 11800 016 V1	16	146	130	8.03
CS-KV 11800 025 V1	25	175	150	8.76
CS-KV 11800 032 V1	32	207	175	9.59
CS-KV 11800 040 V1	40	240	200	10.43
CS-KV 11800 050 V1	50	280	230	11.45
CS-KV 11800 065 V1	65	340	275	12.98

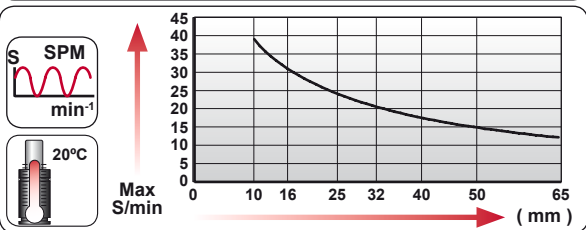
CODE	Pressure Gauge	bar	psi	F <sub>0</sub> daN	F <sub>1</sub> daN
CS-KV 11800 050 V1		150	2175	11780	17145
CS-KV-H 11800 050 V1		0	0	---	---



	ENG ORDER		F <sub>0</sub>		S
	DEU BESTELLUNG	bar	daN	daN	mm
	FRA COMMANDE	psi	daN	daN	mm
	ITA ORDINE	---	---	---	---
	ESP PEDIDO	---	---	---	---
POR PEDIDO	---	---	---	---	---

CS-KV 11800 50

CS-KV 11800 050 V1



N <sub>2</sub>	S <sub>max</sub> < 90%	V <sub>max</sub> 0,5 m/s	P <sub>min</sub> (20°C)	P <sub>max</sub> (20°C)	T <sub>min</sub>	T <sub>max</sub>	600 CP-

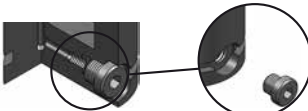
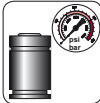
bar	psi	bar	psi	°C	°F	°C	°F	600 CP-
20	290	150	2175	0	32	80	176	



## SELF-CONTAINED OR HOSED GAS SPRINGS

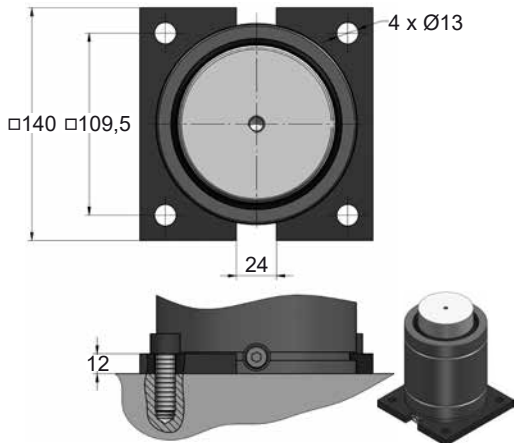


CODE			bar	psi	F <sub>0</sub> daN	F <sub>1</sub> daN
CS-KV 11800 050 V1			150	2175	11780	17145
CS-KV-H 11800 050 V1			0	0	---	---



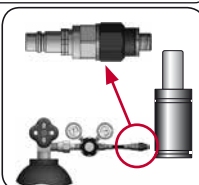
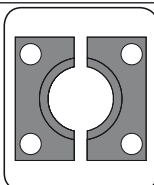
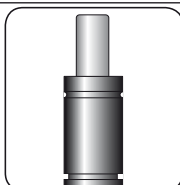
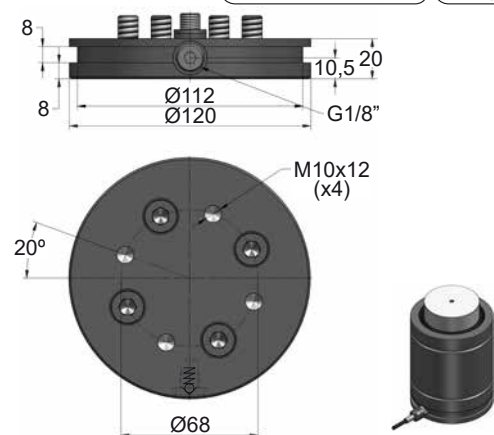
	ENG	Self-contained gas spring	Gas spring delivered charged (with filling valve)
	DEU	Autonome Gasdruckfeder	Gasdruckfeder befüllt (mit Ventil)
	FRA	Ressort à gaz autonome	Ressort à gaz fourni chargé (avec valve de charge)
	ITA	Cilindro ad azoto autonomo	Cilindro fornito carico (con valvola di carico)
	ESP	Cilindro de gas autónomo	Cilindro de gas suministrado cargado (con válvula de carga)
	POR	Cilindro de gas autónomo	Cilindro de gás fornecido carregado (com válvula de carga)
	ENG	Ready to be hosed	Gas spring delivered unfilled (without filling valve)
	DEU	Fertig zum Verschlauchen	Gasdruckfeder drucklos und ohne Ventil
	FRA	Prêt à être relié	Ressort à gaz fourni non chargé (sans valve de charge)
	ITA	Pronto per essere collegato	Cilindro fornito scarico (senza valvola di carico)
	ESP	Preparado para conectar	Cilindro de gas suministrado descargado (sin válvula de carga)
	POR	Pronto a ser interligado	Cilindro de gás fornecido descarregado (sem válvula de carga)

## C20-120



## KV 11800

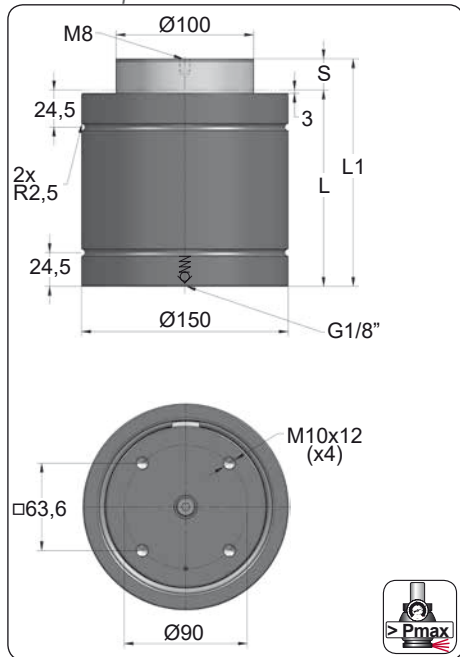
If used a hosed system  
remove the filling valve



CODE	CS-KV 11800 050 V1	KIT S-XXXXXXX	C20-120	18 CG 1-Q
ENG	ORDER	GAS SPRING	FLANGE	CHARGING ADAPTER
DEU	BESTELLUNG	GASDRUCKFEDER	FLANSCH	LADEADAPTER
FRA	COMMANDE	RESSORT À GAZ	BRIDE	RACCORD DE CHARGE
ITA	ORDINE	CILINDRO AD AZOTO	FLANGE	ADATTATORE DI CARICO
ESP	PEDIDO	RESORTE DE GAS	BRIDA	ADAPTADOR DE CARGA
POR	PEDIDO	CILINDRO DE GÁS	FLANGE	ADAPTADOR DE CARGA

# CS 18300 V1

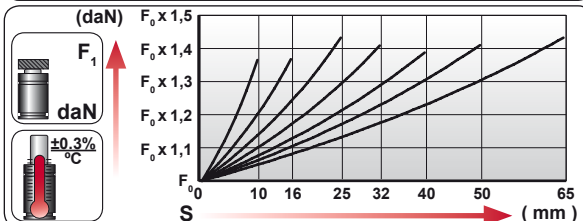
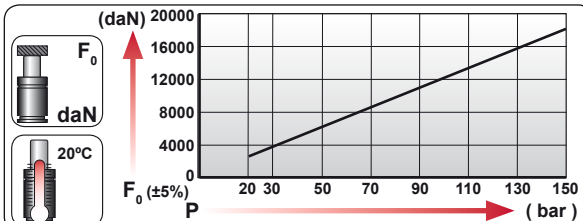
Power Compact Stroke



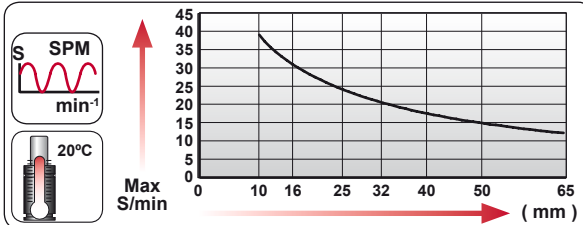
ORDER	S (mm)	L1 ±0,25 (mm)	L (mm)	Kg.
CS 18300 010 V1	10	110	100	9.83
CS 18300 016 V1	16	136	120	10.84
CS 18300 025 V1	25	165	140	11.93
CS 18300 032 V1	32	197	165	13.18
CS 18300 040 V1	40	235	195	14.67
CS 18300 050 V1	50	270	220	16.00
CS 18300 065 V1	65	323	258	18.01



CODE				
	bar	psi	daN	daN
CS 18300 050 V1	150	2175	18410	26340
-----	---	---	---	---



	ENG ORDER DEU BESTELLUNG FRA COMMANDE ITA ORDINE ESP PEDIDO POR PEDIDO		
		daN	mm
		CS 18300	50
		CS 18300 050 V1	



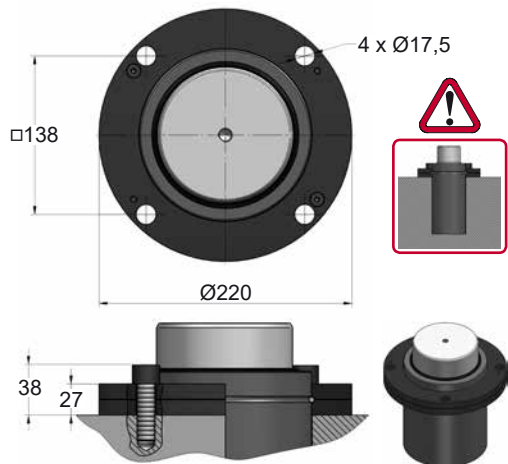
N <sub>2</sub>	S <sub>max</sub> < 90%	V <sub>max</sub> 0,5 m/s	P <sub>min</sub> (20°C)	P <sub>max</sub> (20°C)	T <sub>min</sub>	T <sub>max</sub>	

bar	psi	bar	psi	°C	°F	°C	°F	
20	290	150	2175	0	32	80	176	

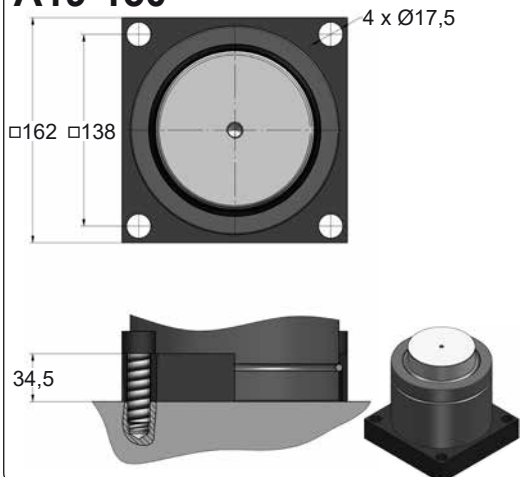
# CS 18300 V1 MOUNTS

Power Compact Stroke

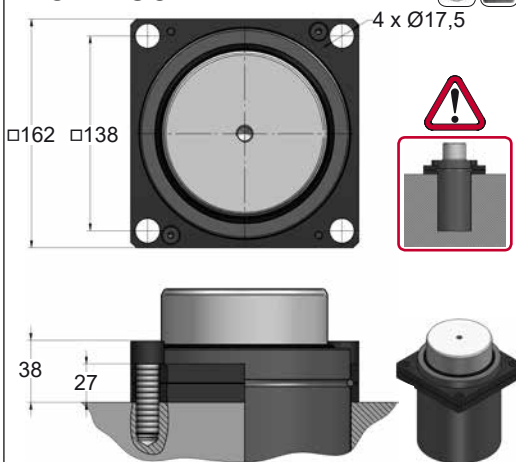
## A14-150



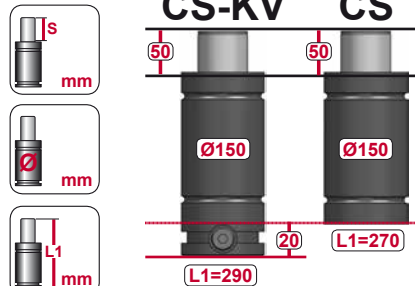
## A19-150



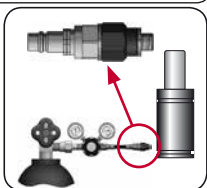
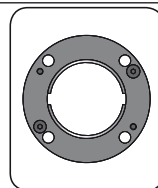
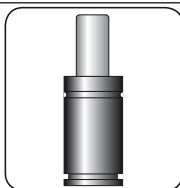
## A34-150



## CS-KV CS



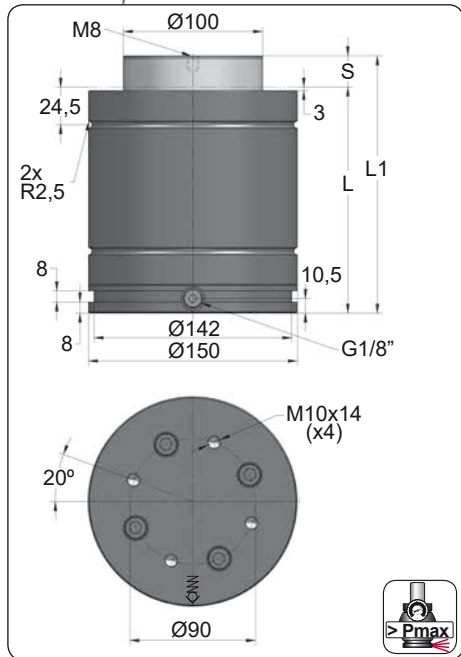
CODE					
	bar	psi	daN	daN	daN
CS 18300 050 V1	150	2175	18410	26340	
CS-KV 18300 050 V1	150	2175	18410	26340	



CODE	CS 18300 050 V1	KIT S-XXXXXXX	A14-150	18 CG 1-Q
ENG ORDER	GAS SPRING	REPAIR KIT	FLANGE	CHARGING ADAPTER
DEU BESTELLUNG	GASDRUCKFEDER	ERSATZTEILSATZ	FLANSCHEN	LADEADAPTER
FRA COMMANDE	RESSORT À GAZ	KIT DE RÉPARATION	BRIDE	RACCORD DE CHARGE
ITA ORDINE	CILINDRO AD AZOTO	KIT DI MANUTENZIONE	FLANGE	ADATTATORE DI CARICO
ESP PEDIDO	RESORTE DE GAS	KIT DE REPARACION	BRIDA	ADAPTADOR DE CARGA
POR PEDIDO	CILINDRO DE GAS	KIT DE MANUTENÇÃO	FLANGE	ADAPTADOR DE CARGA

# CS-KV 18300 V1

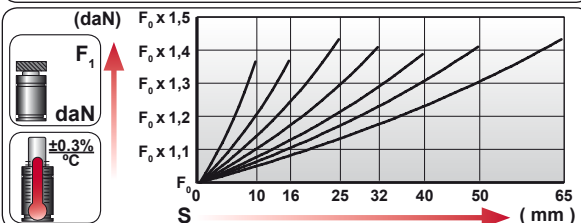
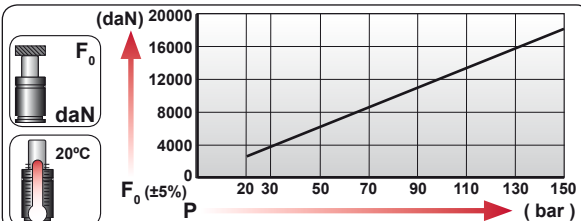
Power Compact Stroke



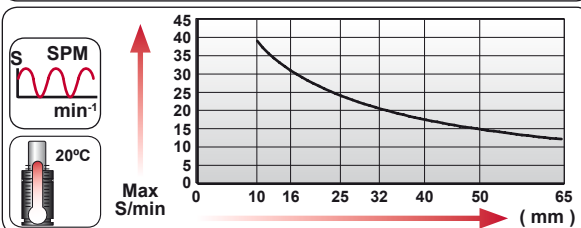
ORDER	S (mm)	L1 ±0,25 (mm)	L (mm)	Kg.
CS-KV 18300 010 V1	10	130	120	12.21
CS-KV 18300 016 V1	16	156	140	13.22
CS-KV 18300 025 V1	25	185	160	14.31
CS-KV 18300 032 V1	32	217	185	15.56
CS-KV 18300 040 V1	40	255	215	17.05
CS-KV 18300 050 V1	50	290	240	18.38
CS-KV 18300 065 V1	65	343	278	20.39



CODE				
	bar	psi	daN	daN
CS-KV 18300 050 V1	150	2175	18410	26340
CS-KV-H 18300 050 V1	0	0	---	---



	ENG ORDER DEU BESTELLUNG FRA COMMANDE ITA ORDINE ESP PEDIDO POR PEDIDO		
		daN	mm
		CS-KV 18300	50
		CS-KV 18300 050 V1	



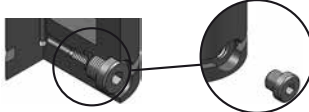
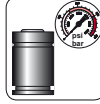
N <sub>2</sub>	S <sub>max</sub> < 90%	V <sub>max</sub> 0,5 m/s	P <sub>min</sub> (20°C)	P <sub>max</sub> (20°C)	T <sub>min</sub>	T <sub>max</sub>	600 CP-

bar	psi	bar	psi	°C	°F	°C	°F	
20	290	150	2175	0	32	80	176	

## SELF-CONTAINED OR HOSED GAS SPRINGS

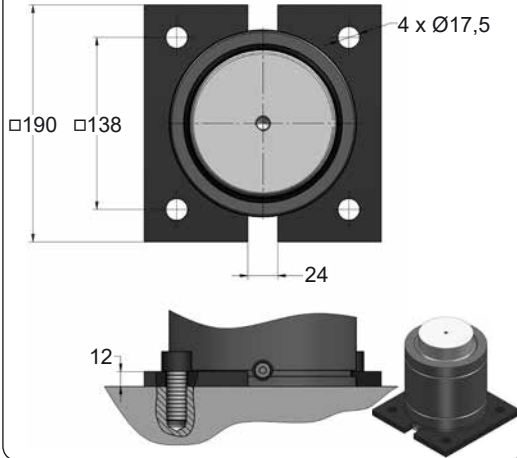


CODE			bar	psi	F <sub>0</sub> daN	F <sub>1</sub> daN
CS-KV 18300 050 V1			150	2175	18410	26340
CS-KV-H 18300 050 V1			0	0	---	---



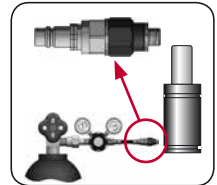
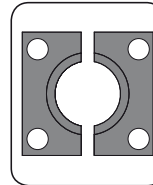
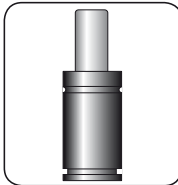
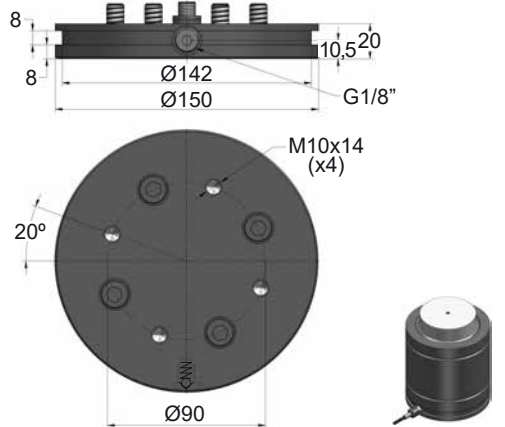
	ENG	Self-contained gas spring	Gas spring delivered charged (with filling valve)
	DEU	Autonome Gasdruckfeder	Gasdruckfeder befüllt (mit Ventil)
	FRA	Ressort à gaz autonome	Ressort à gaz fourni chargé (avec valve de charge)
	ITA	Cilindro ad azoto autonomo	Cilindro fornito carico (con valvola di carico)
	ESP	Cilindro de gas autónomo	Cilindro de gas suministrado cargado (con válvula de carga)
	POR	Cilindro de gas autónomo	Cilindro de gás fornecido carregado (com válvula de carga)
	ENG	Ready to be hosed	Gas spring delivered unfilled (without filling valve)
	DEU	Fertig zum Verschleuchen	Gasdruckfeder drucklos und ohne Ventil
	FRA	Prêt à être relié	Ressort à gaz fourni non chargé (sans valve de charge)
	ITA	Pronto per essere collegato	Cilindro fornito scarico (senza valvola di carico)
P	ESP	Preparado para conectar	Cilindro de gas suministrado descargado (sin válvula de carga)
	POR	Pronto a ser interligado	Cilindro de gás fornecido descarregado (sem válvula de carga)

### C20-150



### KV 18300

If used a hosed system  
remove the filling valve



CODE	CS-KV 18300 050 V1	KIT S-XXXXXXX	C20-150	18 CG 1-Q
ENG	ORDER	GAS SPRING	FLANGE	CHARGING ADAPTER
DEU	BESTELLUNG	GASDRUCKFEDER	FLANSCH	LADEADAPTER
FRA	COMMANDE	RESSORT À GAZ	BRIDE	RACCORD DE CHARGE
ITA	ORDINE	CILINDRO AD AZOTO	FLANGE	ADATTATORE DI CARICO
ESP	PEDIDO	RESORTE DE GAS	BRIDA	ADAPTADOR DE CARGA
POR	PEDIDO	CILINDRO DE GÁS	FLANGE	ADAPTADOR DE CARGA



# SPECIAL APPLICATIONS

## ROB / ROT



## VH

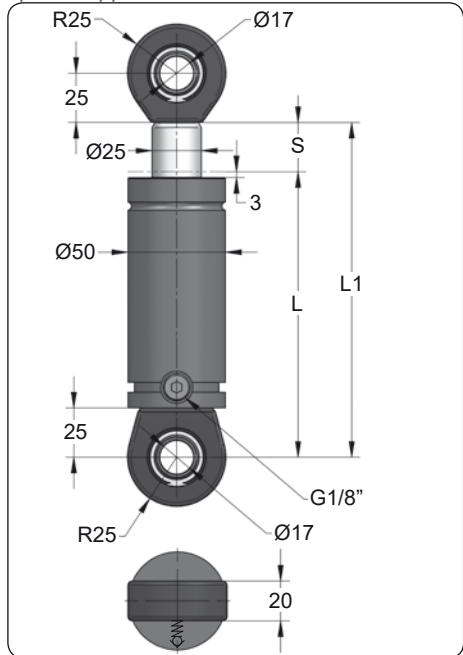


## ART

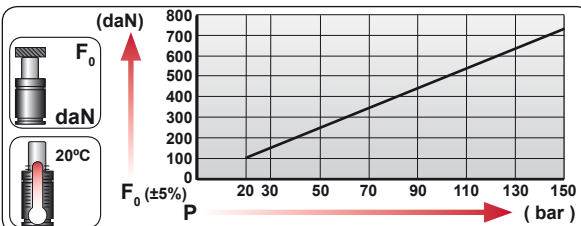


# ROB 750

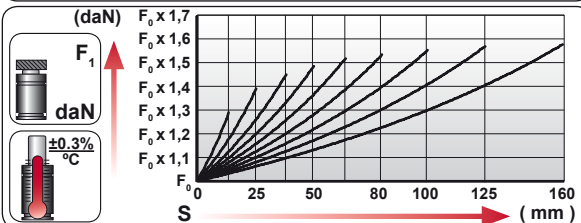
Special Applications



ORDER	S (mm)	L1 ±0,25 (mm)	L (mm)	Kg.
ROB 750 012	12.7	145.4	132.7	1.74
ROB 750 025	25	170	145	1.96
ROB 750 038	38	196	158	2.04
ROB 750 050	50	220	170	2.14
ROB 750 063	63.5	247	183.5	2.24
ROB 750 080	80	280	200	2.44
ROB 750 100	100	320	220	2.68
ROB 750 125	125	370	245	2.84
ROB 750 160	160	440	280	3.12



CODE					
		bar	psi		
ROB 750 050		150	2175	740	1100
-----		---	---	---	---



	ENG	ORDER		
	DEU	BESTELLUNG		
	FRA	COMMANDE		
	ITA	ORDINE		
	ESP	PEDIDO		
POR	PEDIDO			
	ROB	750	50	
	ROB 750	050		

SEAL KIT S-XXXXXXX  
 CARTRIDGE KIT C-XXXXXXX

**KIT S-XXXXXXX**  
**KIT C-XXXXXXX**

**18 CG 1-Q**

ENG	REPAIR KIT	CHARGING ADAPTER
DEU	ERSATZ	LADEADAPTER
FRA	KIT DE RÉPARATION	RACCORD DE CHARGE
ITA	KIT DI MANUTENZIONE	ADATTATORE DI CARICO
ESP	KIT DE REPARACION	ADAPTADOR DE CARGA
POR	KIT DE MANUTENÇÃO	ADAPTADOR DE CARGA

**N<sub>2</sub>**

**Smax < 90%**

**Vmax 1,6 m/s**

**Pmin (20°C)**

**Pmax (20°C)**

**Tmin**

**Tmax**

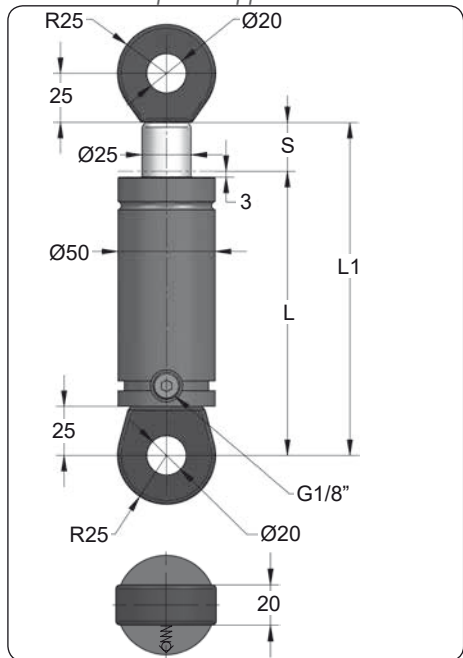
**600 CP-**

N <sub>2</sub>	Smax < 90%	Vmax 1,6 m/s	bar psi	bar psi	°C °F	°C °F	°C °F	600 CP-
			20 290	150 2175	0 32	80 176		



# AZOL GAS ROT 750

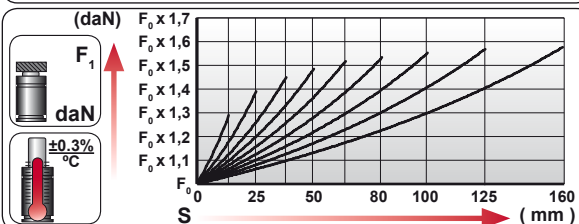
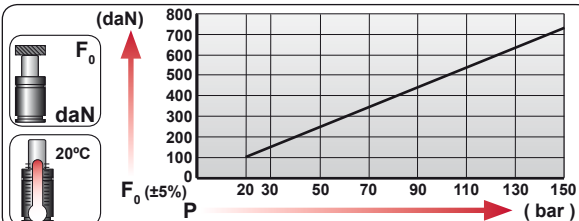
Special Applications



ORDER	S (mm)	L1 ±0,25 (mm)	L (mm)	Kg.
ROT 750 012	12.7	145.4	132.7	1.74
ROT 750 025	25	170	145	1.96
ROT 750 038	38	196	158	2.04
ROT 750 050	50	220	170	2.14
ROT 750 063	63.5	247	183.5	2.24
ROT 750 080	80	280	200	2.44
ROT 750 100	100	320	220	2.68
ROT 750 125	125	370	245	2.84
ROT 750 160	160	440	280	3.12



CODE				
	bar	psi	daN	daN
ROT 750 050	150	2175	740	1100
-----	---	---	---	---



	ENG ORDER		
	DEU BESTELLUNG	daN	mm
	FRA COMMANDE		
	ITA ORDINE		
	ESP PEDIDO		
POR PEDIDO			

ROT 750 50

ROT 750 050

SEAL KIT S-XXXXXXX CARTRIDGE KIT C-XXXXXXX

**KIT S-XXXXXXX**  
**KIT C-XXXXXXX**

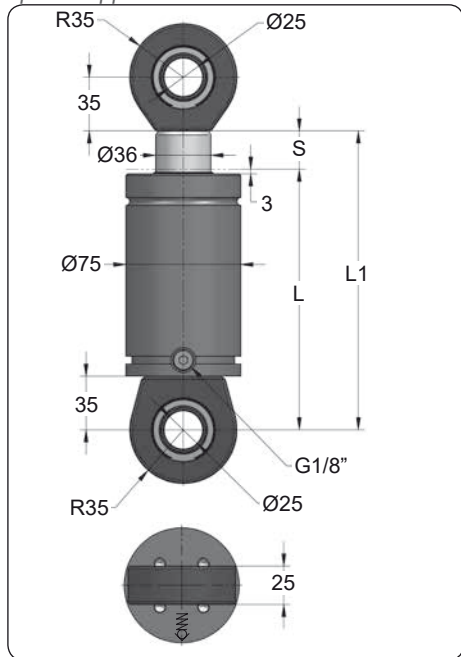
18 CG 1-Q

ENG REPAIR KIT	CHARGING ADAPTER
DEU ERSATZ	LADEADAPTER
FRA KIT DE RÉPARATION	RACCORD DE CHARGE
ITA KIT DI MANUTENZIONE	ADATTATORE DI CARICO
ESP KIT DE REPARACION	ADAPTADOR DE CARGA
POR KIT DE MANUTENÇÃO	ADAPTADOR DE CARGA

N <sub>2</sub>	S <sub>max</sub> < 90%	V <sub>max</sub> 1,6 m/s	bar psi 20 290	bar psi 150 2175	°C °F 0 32	°C °F 80 176	600 CP-

# ROB 1500

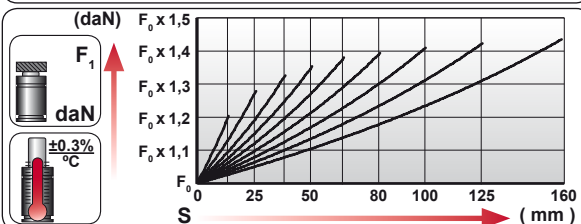
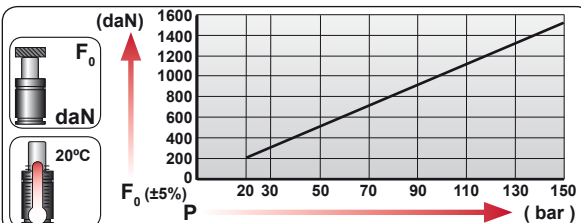
Special Applications



ORDER	S (mm)	L1 ±0,25 (mm)	L (mm)	Kg.
ROB 1500 012	12.7	170.4	157.7	4.36
ROB 1500 025	25	195	170	4.61
ROB 1500 038	38	221	183	4.88
ROB 1500 050	50	245	195	5.12
ROB 1500 063	63.5	272	208.5	5.40
ROB 1500 080	80	305	225	5.73
ROB 1500 100	100	345	245	6.14
ROB 1500 125	125	395	270	6.65
ROB 1500 160	160	465	305	7.37



CODE		Pressure			
		bar	psi		
ROB 1500 050		150	2175	1530	2070
-----		---	---	---	---



	ENG ORDER		
	DEU BESTELLUNG		
	FRA COMMANDE		
	ITA ORDINE		
	ESP PEDIDO		
POR PEDIDO			

**ROB 1500 50**

**ROB 1500 050**

SEAL KIT S-XXXXXXX

CARTRIDGE KIT C-XXXXXXX

**KIT S-XXXXXXX**  
**KIT C-XXXXXXX**

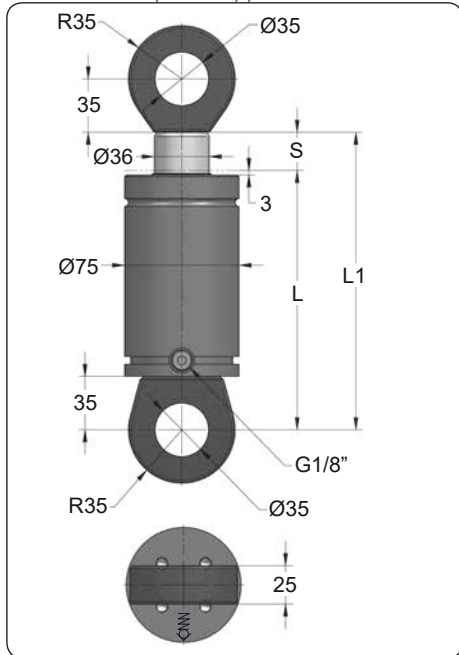
**18 CG 1-Q**

ENG REPAIR KIT	CHARGING ADAPTER
DEU ERSATZ	LADEADAPTER
FRA KIT DE RÉPARATION	RACCORD DE CHARGE
ITA KIT DI MANUTENZIONE	ADATTATORE DI CARICO
ESP KIT DE REPARACION	ADAPTADOR DE CARGA
POR KIT DE MANUTENÇÃO	ADAPTADOR DE CARGA

N <sub>2</sub>	S <sub>max</sub> < 90%	V <sub>max</sub> 1,6 m/s	P <sub>min</sub> (20°C) bar psi 20 290	P <sub>max</sub> (20°C) bar psi 150 2175	T <sub>min</sub>	T <sub>max</sub>	600 CP-
			°C °F 0 32	°C °F 80 176			

# AZOL GAS ROT 1500

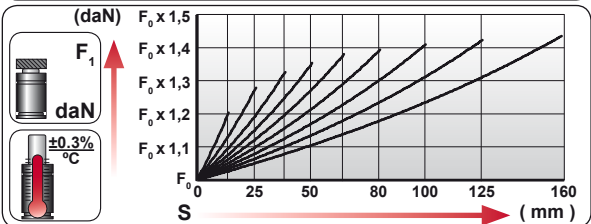
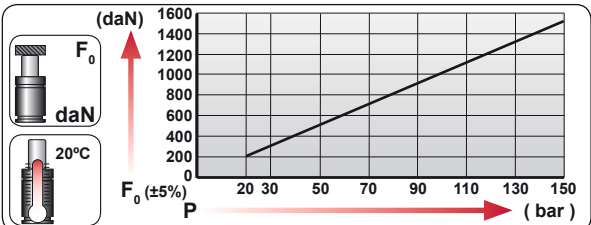
Special Applications



ORDER	S (mm)	L1 ±0,25 (mm)	L (mm)	Kg.
ROT 1500 012	12.7	170.4	157.7	4.36
ROT 1500 025	25	195	170	4.61
ROT 1500 038	38	221	183	4.88
ROT 1500 050	50	245	195	5.12
ROT 1500 063	63.5	272	208.5	5.40
ROT 1500 080	80	305	225	5.73
ROT 1500 100	100	345	245	6.14
ROT 1500 125	125	395	270	6.65
ROT 1500 160	160	465	305	7.37



CODE				
	bar	psi	daN	daN
ROT 1500 050	150	2175	1530	2070
-----	---	---	---	---



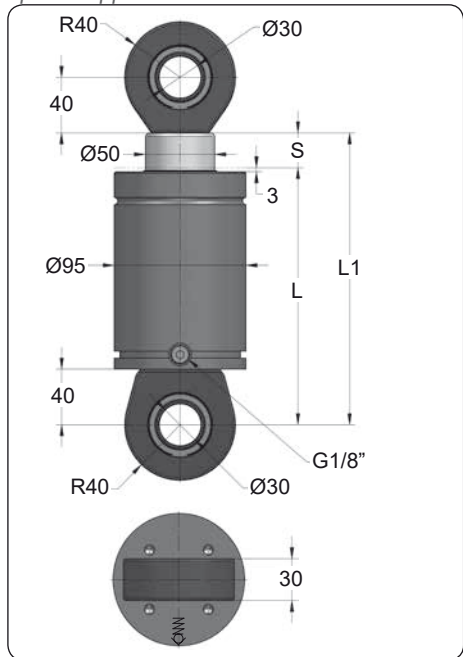
	ENG ORDER DEU BESTELLUNG FRA COMMANDE ITA ORDINE ESP PEDIDO POR PEDIDO	 daN	 mm
<b>ROT 1500 50</b>			
<b>ROT 1500 050</b>			

 SEAL KIT S-XXXXXXX	 CARTRIDGE KIT C-XXXXXXX	 <b>18 CG 1-Q</b>
<b>KIT S-XXXXXXX</b> <b>KIT C-XXXXXXX</b>		
ENG REPAIR KIT DEU ERSATZ FRA KIT DE RÉPARATION ITA KIT DI MANUTENZIONE ESP KIT DE REPARACION POR KIT DE MANUTENÇÃO	CHARGING ADAPTER LADEADAPTER RACCORD DE CHARGE ADATTATORE DI CARICO ADAPTADOR DE CARGA	

N <sub>2</sub>	S <sub>max</sub> < 90%	V <sub>max</sub> 1,6 m/s	bar psi 20 290	bar psi 150 2175	°C °F 0 32	°C °F 80 176	600 CP-

# ROB 3000

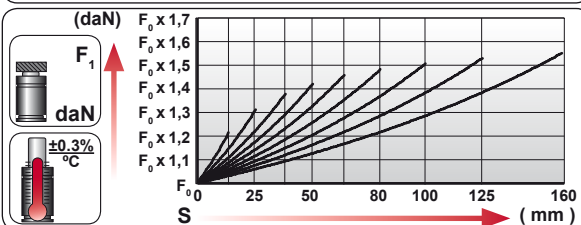
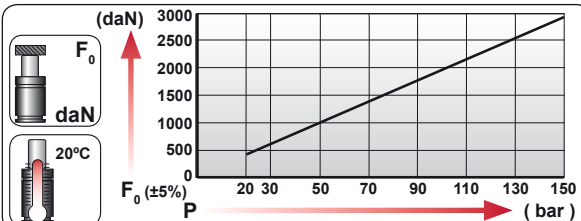
Special Applications



ORDER	S (mm)	L1 ±0,25 (mm)	L (mm)	Kg.
ROB 3000 012	12.7	185.4	172.7	7.68
ROB 3000 025	25	210	185	7.98
ROB 3000 038	38	236	198	8.44
ROB 3000 050	50	260	210	8.98
ROB 3000 063	63.5	287	223.5	9.38
ROB 3000 080	80	320	240	10.39
ROB 3000 100	100	360	260	10.58
ROB 3000 125	125	410	285	11.16
ROB 3000 160	160	480	320	12.26



CODE			bar	psi	$F_0$ daN	$F_1$ daN
ROB 3000 050			150	2175	2945	4180
-----			---	---	---	---



ENG ORDER	DEU BESTELLUNG	FRA COMMANDE	ITA ORDINE	ESP PEDIDO	POR PEDIDO	$F_0$ daN	S mm
ROB	3000	50					
ROB 3000 050							

SEAL KIT S-XXXXXXX  
CARTRIDGE KIT C-XXXXXXX

**KIT S-XXXXXXX**  
**KIT C-XXXXXXX**

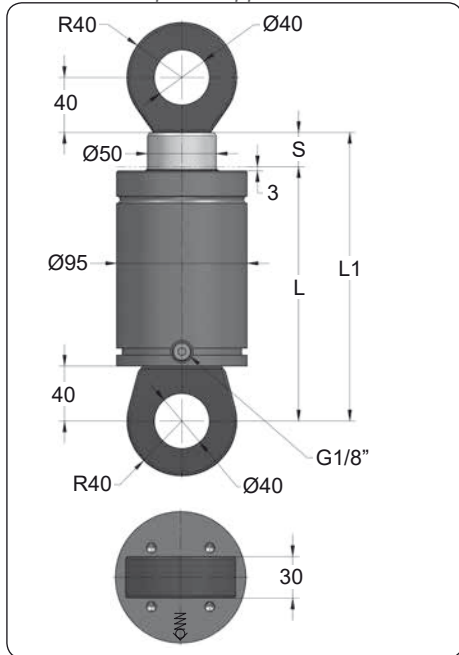
**18 CG 1-Q**

ENG REPAIR KIT	CHARGING ADAPTER
DEU ERSATZ	LADEADAPTER
FRA KIT DE RÉPARATION	RACCORD DE CHARGE
ITA KIT DI MANUTENZIONE	ADATTATORE DI CARICO
ESP KIT DE REPARACION	ADAPTADOR DE CARGA
POR KIT DE MANUTENÇÃO	ADAPTADOR DE CARGA

N <sub>2</sub>	Smax < 90%	Vmax 1,6 m/s	bar psi 20 290	bar psi 150 2175	°C °F 0 32	°C °F 80 176	600 CP-

# AZOL GAS ROT 3000

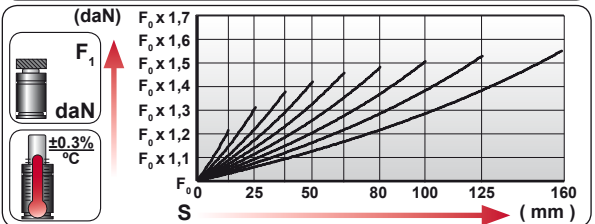
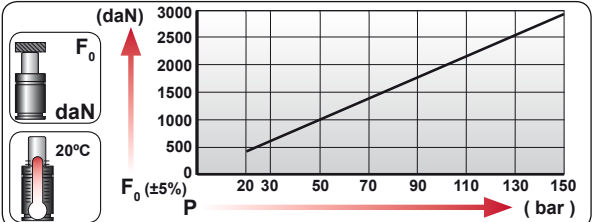
Special Applications



ORDER	S (mm)	L1 ±0,25 (mm)	L (mm)	Kg.
ROT 3000 012	12.7	185.4	172.7	7.68
ROT 3000 025	25	210	185	7.98
ROT 3000 038	38	236	198	8.44
ROT 3000 050	50	260	210	8.98
ROT 3000 063	63.5	287	223.5	9.38
ROT 3000 080	80	320	240	10.39
ROT 3000 100	100	360	260	10.58
ROT 3000 125	125	410	285	11.16
ROT 3000 160	160	480	320	12.26



CODE				
	bar	psi	daN	daN
ROT 3000 050	150	2175	2945	4180
-----	---	---	---	---



	ENG ORDER DEU BESTELLUNG FRA COMMANDE ITA ORDINE ESP PEDIDO POR PEDIDO	 daN	 mm
ROT 3000 50		ROT 3000 050	

SEAL KIT S-XXXXXXX  
 CARTRIDGE KIT C-XXXXXXX

**KIT S-XXXXXXX**  
**KIT C-XXXXXXX**

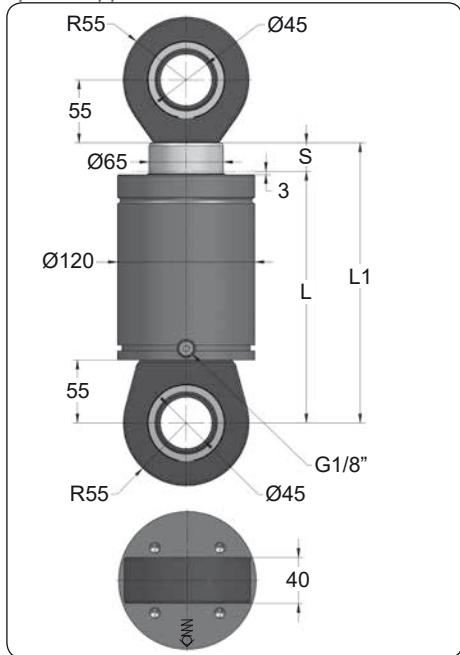
18 CG 1-Q

ENG REPAIR KIT DEU ERSATZ FRA KIT DE RÉPARATION ITA KIT DI MANUTENZIONE ESP KIT DE REPARACION POR KIT DE MANUTENÇÃO	CHARGING ADAPTER LADEADAPTER RACCORD DE CHARGE ADATTATORE DI CARICO ADAPTADOR DE CARGA
--	--

N <sub>2</sub>	S <sub>max</sub> < 90%	V <sub>max</sub> 1,6 m/s	bar psi 20 290	bar psi 150 2175	°C °F 0 32	°C °F 80 176	600 CP-

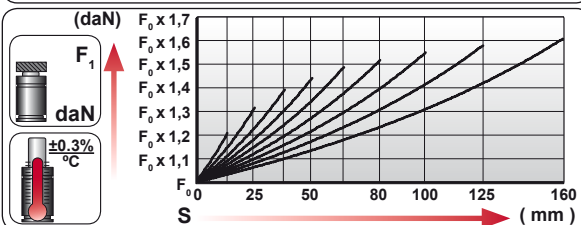
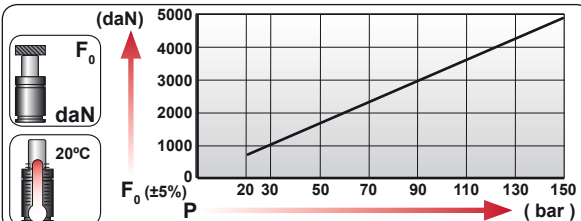
# ROB 5000

Special Applications



ORDER	S (mm)	L1 ±0,25 (mm)	L (mm)	Kg.
ROB 5000 012	12.7	220.4	207.7	15.79
ROB 5000 025	25	245	220	16.96
ROB 5000 038	38	271	233	17.11
ROB 5000 050	50	295	245	17.45
ROB 5000 063	63.5	322	258.5	18.17
ROB 5000 080	80	355	275	19.76
ROB 5000 100	100	395	295	20.21
ROB 5000 125	125	445	320	21.56
ROB 5000 160	160	515	355	23.36

CODE					
		bar	psi		
ROB 5000 050		150	2175	4980	7170
-----		---	---	---	---



	ENG ORDER		
	DEU BESTELLUNG	daN	mm
	FRA COMMANDE		
	ITA ORDINE		
	ESP PEDIDO		
POR PEDIDO			

**ROB 5000 50**

**ROB 5000 050**

SEAL KIT S-XXXXXXX

CARTRIDGE KIT C-XXXXXXX

**KIT S-XXXXXXX**  
**KIT C-XXXXXXX**

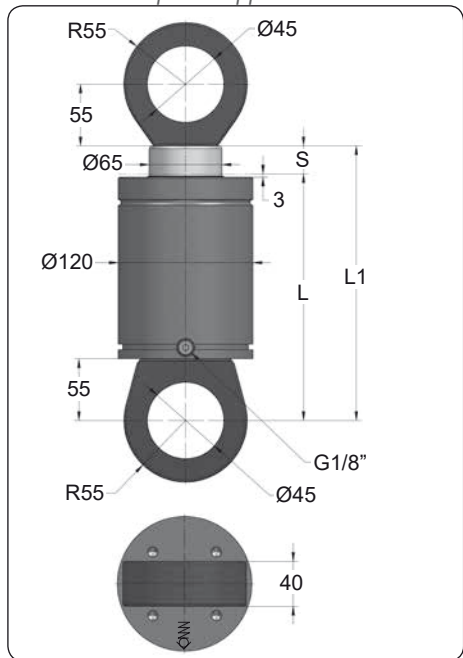
**18 CG 1-Q**

ENG REPAIR KIT	CHARGING ADAPTER
DEU ERSATZ	LADEADAPTER
FRA KIT DE RÉPARATION	RACCORD DE CHARGE
ITA KIT DI MANUTENZIONE	ADATTATORE DI CARICO
ESP KIT DE REPARACION	ADAPTADOR DE CARGA
POR KIT DE MANUTENÇÃO	ADAPTADOR DE CARGA

N <sub>2</sub>	S <sub>max</sub> < 90%	V <sub>max</sub> 1,6 m/s	P <sub>min</sub> (20°C)	P <sub>max</sub> (20°C)	T <sub>min</sub>	T <sub>max</sub>	600 CP-
			bar psi	bar psi	°C °F	°C °F	
			20 290	150 2175	0 32	80 176	

# AZOL GAS ROT 5000

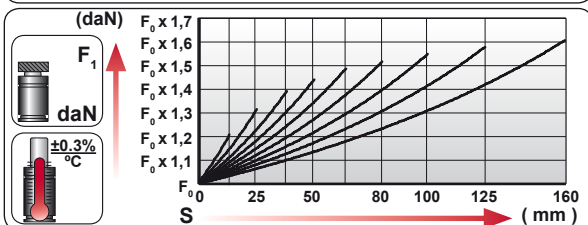
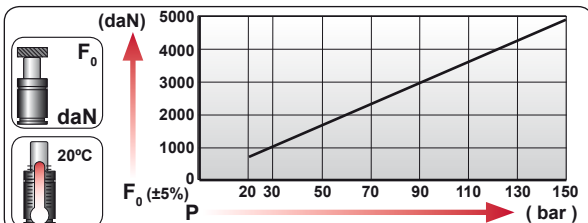
Special Applications



ORDER	S (mm)	L1 ±0,25 (mm)	L (mm)	Kg.
ROT 5000 012	12.7	220.4	207.7	15.79
ROT 5000 025	25	245	220	16.96
ROT 5000 038	38	271	233	17.11
ROT 5000 050	50	295	245	17.45
ROT 5000 063	63.5	322	258.5	18.17
ROT 5000 080	80	355	275	19.76
ROT 5000 100	100	395	295	20.21
ROT 5000 125	125	445	320	21.56
ROT 5000 160	160	515	355	23.36



CODE				
		bar psi	daN	daN
ROT 5000 050		150 2175	4980	7170
-----		-----	-----	-----



	ENG ORDER		
	DEU BESTELLUNG	daN	mm
	FRA COMMANDE		
	ITA ORDINE		
	ESP PEDIDO		
POR PEDIDO			

**ROT 5000 50**

**ROT 5000 050**

SEAL KIT S-XXXXXXX  
 CARTRIDGE KIT C-XXXXXXX

**KIT S-XXXXXXX**  
**KIT C-XXXXXXX**

**18 CG 1-Q**

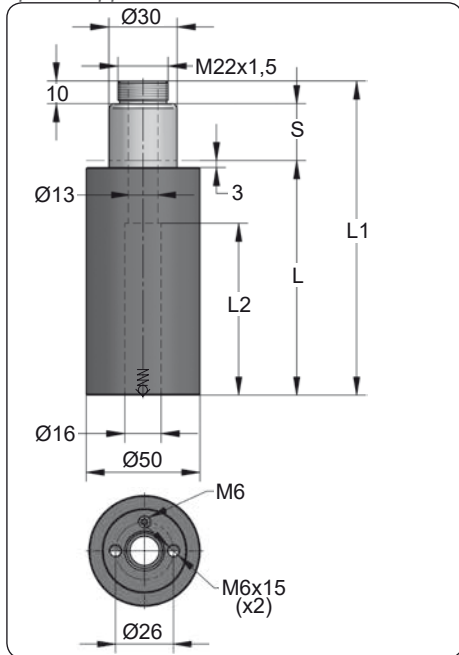
ENG REPAIR KIT	CHARGING ADAPTER
DEU ERSATZ	LADEADAPTER
FRA KIT DE RÉPARATION	RACCORD DE CHARGE
ITA KIT DI MANUTENZIONE	ADATTATORE DI CARICO
ESP KIT DE REPARACION	ADAPTADOR DE CARGA
POR KIT DE MANUTENÇÃO	ADAPTADOR DE CARGA

N <sub>2</sub>	S <sub>max</sub> < 90%	V <sub>max</sub> 1,6 m/s	bar psi 20 290	bar psi 150 2175	°C °F 0 32	°C °F 80 176	600 CP-

# VH 500

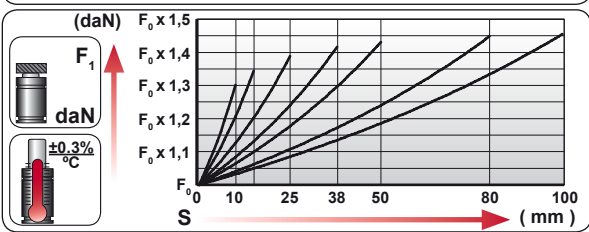
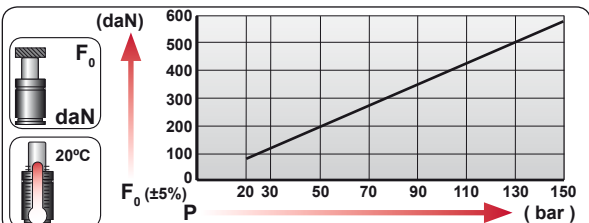
Special Applications



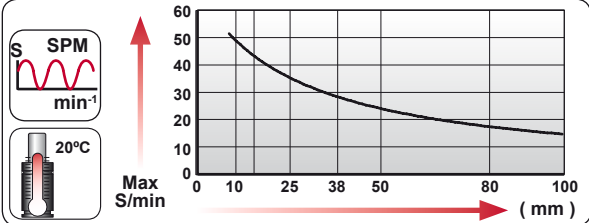



ORDER	S (mm)	L1 ±0,25 (mm)	L (mm)	L2 (mm)	Kg.
VH 500 010	10	108	88	45.5	0.98
VH 500 015	15	118	93	55.5	1.01
VH 500 025	25	138	103	75.5	1.09
VH 500 038	38	164	116	85.5	1.18
VH 500 050	50	188	128	97.5	1.27
VH 500 080	80	248	158	127.5	1.50
VH 500 100	100	288	178	147.5	1.65

CODE					
		bar	psi	daN	
VH 500 050		130	1885	510	730
-----		-----	-----	-----	-----



	ENG ORDER DEU BESTELLUNG FRA COMMANDE ITA ORDINE ESP PEDIDO POR PEDIDO		
		daN	mm
		VH 500	50
		VH 500 050	

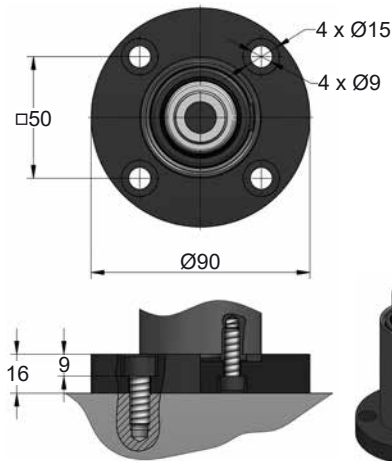


N <sub>2</sub>	S <sub>max</sub> < 90%	V <sub>max</sub> 0,5 m/s	P <sub>min</sub> (20°C)	P <sub>max</sub> (20°C)	T <sub>min</sub>	T <sub>max</sub>	

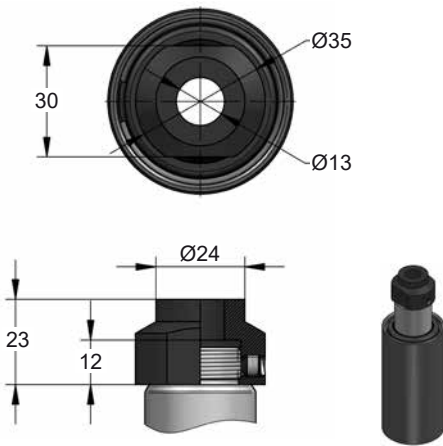
N <sub>2</sub>	S <sub>max</sub> < 90%	V <sub>max</sub> 0,5 m/s	bar psi	bar psi	°C °F	°C °F	°C °F	
			20 290	150 2175	0 32	80 176		



## B31-050



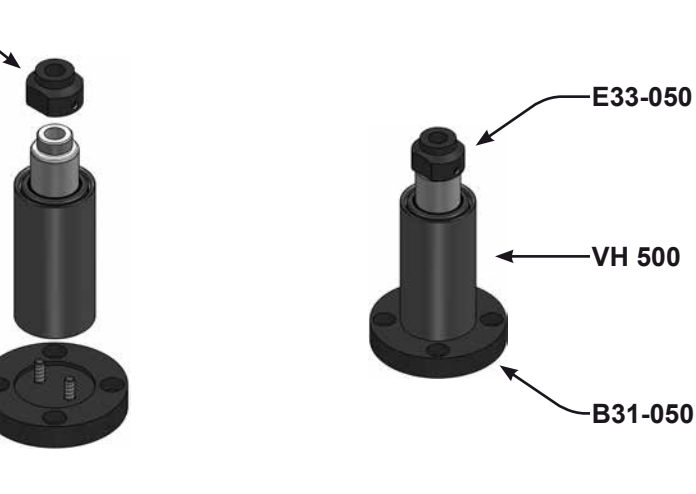
## E33-050



E33-050

VH 500

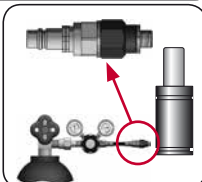
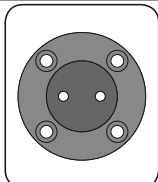
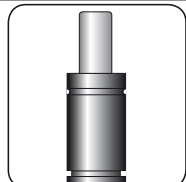
B31-050



E33-050

VH 500

B31-050

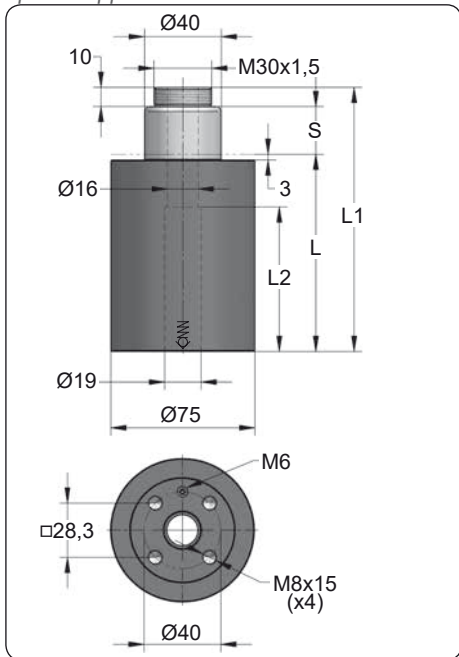


CODE	VH 500 050	KIT S-XXXXXXX KIT C-XXXXXXX	B31-050	06 CG 2-Q
ENG	ORDER	GAS SPRING	REPAIR KIT	CHARGING ADAPTER
DEU	BESTELLUNG	GASDRUCKFEDER	ERSATZTEILSATZ	LADEADAPTER
FRA	COMMANDE	RESSORT À GAZ	KIT DE RÉPARATION	RACCORD DE CHARGE
ITA	ORDINE	CILINDRO AD AZOTO	KIT DI MANUTENZIONE	ADATTATORE DI CARICO
ESP	PEDIDO	RESORTE DE GAS	KIT DE REPARACION	ADAPTADOR DE CARGA
POR	PEDIDO	CILINDRO DE GAS	KIT DE MANUTENÇÃO	ADAPTADOR DE CARGA

# VH 1200

Special Applications

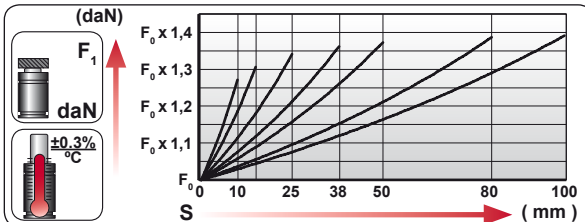
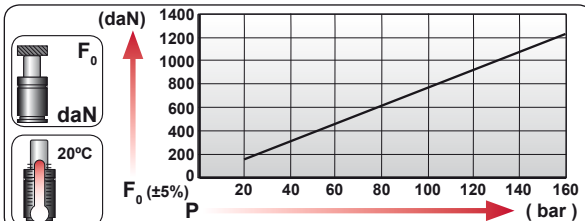


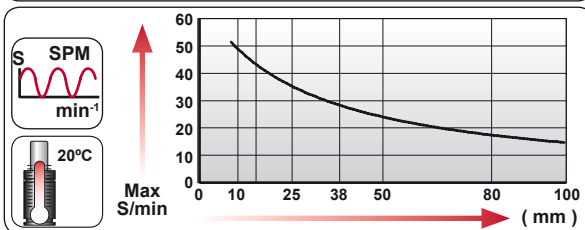
ORDER	S (mm)	L1 ±0,25 (mm)	L (mm)	L2 (mm)	Kg.
VH 1200 010	10	108	88	45.5	2.37
VH 1200 015	15	118	93	55.5	2.45
VH 1200 025	25	138	103	75.5	2.63
VH 1200 038	38	164	116	85.5	2.86
VH 1200 050	50	188	128	97.5	3.08
VH 1200 080	80	248	158	127.5	3.61
VH 1200 100	100	288	178	147.5	3.97



CODE				
	bar	psi	daN	daN
VH 1200 050	160	2320	1225	1680
-----	---	---	---	---



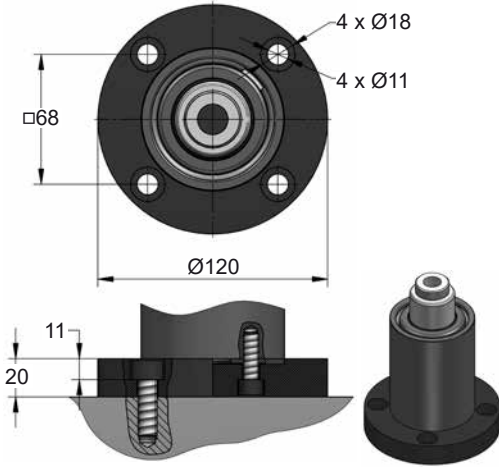
	ENG ORDER DEU BESTELLUNG FRA COMMANDE ITA ORDINE ESP PEDIDO POR PEDIDO	 daN	 mm
VH 1200 50			
VH 1200 050			



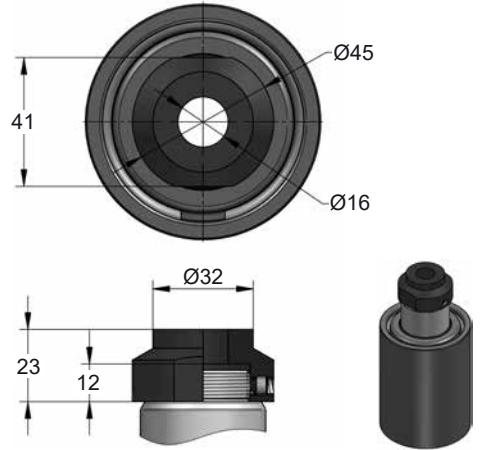
N <sub>2</sub>	S <sub>max</sub> < 90%	V <sub>max</sub> 0,5 m/s	P <sub>min</sub> (20°C)	P <sub>max</sub> (20°C)	T <sub>min</sub>	T <sub>max</sub>	

bar	psi	bar	psi	°C	°F	°C	°F	
20	290	160	2320	0	32	80	176	

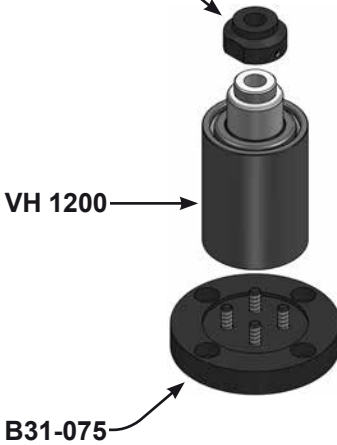
## B31-075



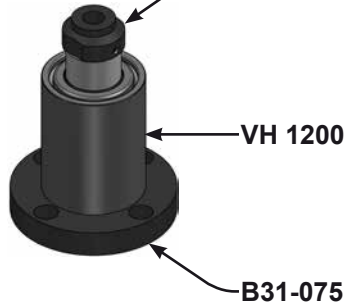
## E33-075



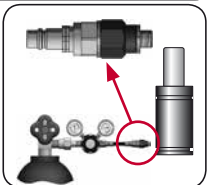
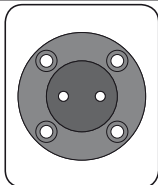
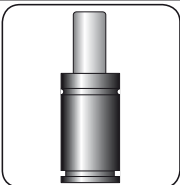
### E33-075



### E33-075



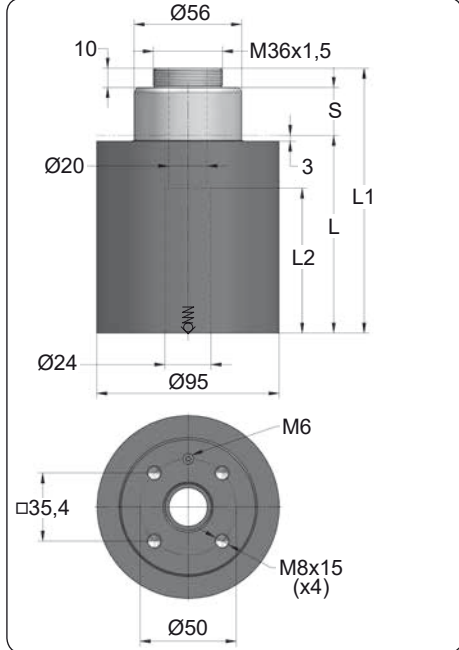
### B31-075



CODE	VH 1200 050	KIT S-XXXXXXX KIT C-XXXXXXX	B31-075	06 CG 2-Q
ENG ORDER	GAS SPRING	REPAIR KIT	FLANGE	CHARGING ADAPTER
DEU BESTELLUNG	GASDRUCKFEDER	ERSATZTEILSATZ	FLANSCHEN	LADEADAPTER
FRA COMMANDE	RESSORT À GAZ	KIT DE RÉPARATION	BRIDE	RACCORD DE CHARGE
ITA ORDINE	CILINDRO AD AZOTO	KIT DI MANUTENZIONE	FLANGE	ADATTATORE DI CARICO
ESP PEDIDO	RESORTE DE GAS	KIT DE REPARACION	BRIDA	ADAPTADOR DE CARGA
POR PEDIDO	CILINDRO DE GAS	KIT DE MANUTENÇÃO	FLANGE	ADAPTADOR DE CARGA

# VH 2200

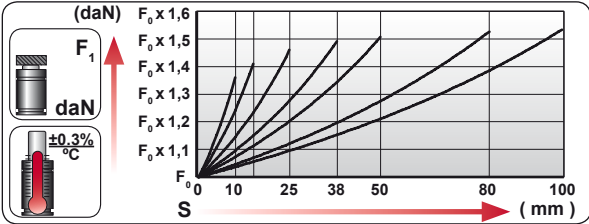
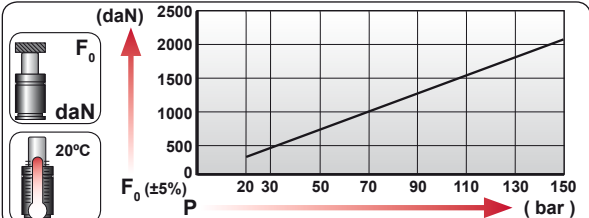
Special Applications



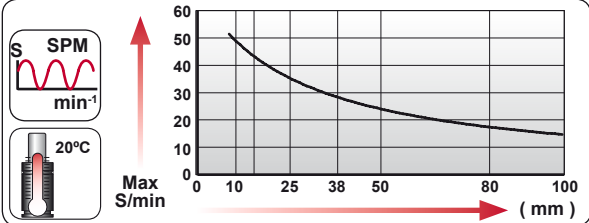
ORDER	S (mm)	L1 ±0,25 (mm)	L (mm)	L2 (mm)	Kg.
VH 2200 010	10	108	88	45.5	3.88
VH 2200 015	15	118	93	55.5	4.04
VH 2200 025	25	138	103	75.5	4.36
VH 2200 038	38	164	116	85.5	4.77
VH 2200 050	50	188	128	97.5	5.16
VH 2200 080	80	248	158	127.5	6.12
VH 2200 100	100	288	178	147.5	6.76



CODE				
	bar	psi	daN	daN
VH 2200 050	150	2175	2168	3310
-----	---	---	---	---



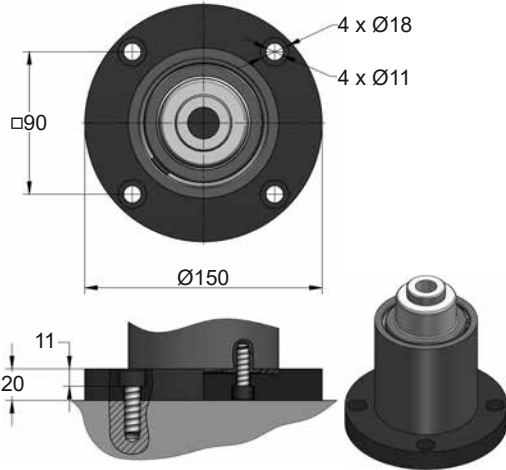
	ENG ORDER DEU BESTELLUNG FRA COMMANDE ITA ORDINE ESP PEDIDO POR PEDIDO	 daN	 mm
VH 2200 50			
VH 2200 050			



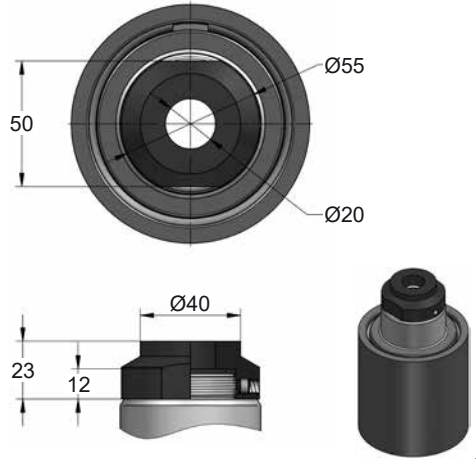
N <sub>2</sub>	S <sub>max</sub> < 90%	V <sub>max</sub> 0,5 m/s	P <sub>min</sub> (20°C)	P <sub>max</sub> (20°C)	T <sub>min</sub>	T <sub>max</sub>	

bar	psi	bar	psi	°C	°F	°C	°F	
20	290	150	2175	0	32	80	176	

**B31-095**



**E33-095**



E33-095

VH 2200

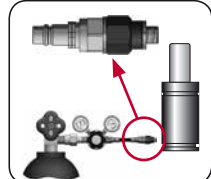
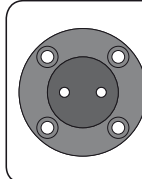
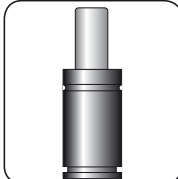
B31-095



E33-095

VH 2200

B31-095



**CODE**

**VH 2200 050**

**KIT S-XXXXXXX**  
**KIT C-XXXXXXX**

**B31-095**

**06 CG 2-Q**

ENG ORDER  
DEU BESTELLUNG  
FRA COMMANDE  
ITA ORDINE  
ESP PEDIDO  
POR PEDIDO

GAS SPRING  
GASDRUCKFEDER  
RESSORT À GAZ  
CILINDRO AD AZOTO  
RESORTE DE GAS  
CILINDRO DE GAS

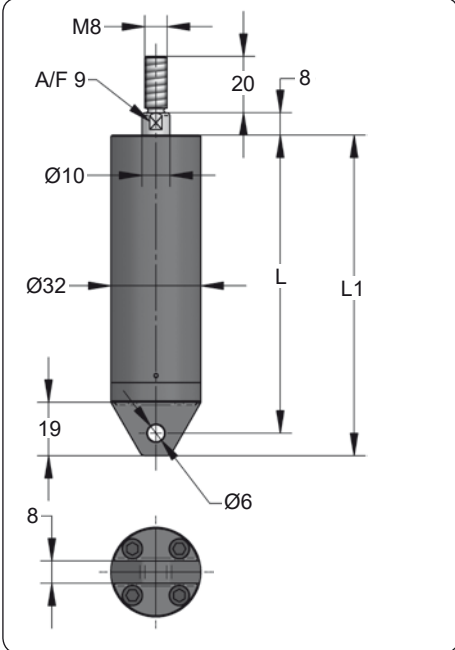
REPAIR KIT  
ERSATZTEILSATZ  
KIT DE RÉPARATION  
KIT DI MANUTENZIONE  
KIT DE REPARACION  
KIT DE MANUTENÇÃO

FLANGE  
FLANSCH  
BRIDE  
FLANGE  
BRIDA  
FLANGE

CHARGING ADAPTER  
LADEADAPTER  
RACCORD DE CHARGE  
ADATTATORE DI CARICO  
ADAPTADOR DE CARGA  
ADAPTADOR DE CARGA

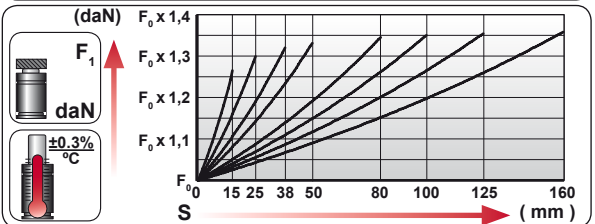
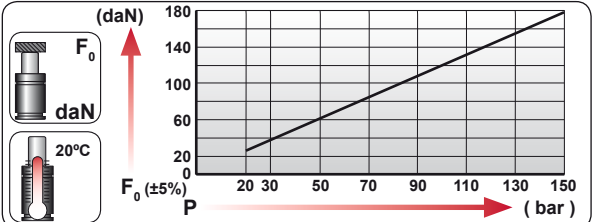
# ART 180

Special Applications



ORDER	S (mm)	L1 ±0,25 (mm)	L (mm)	Kg.
ART 180 015	15	114	106	0.52
ART 180 025	25	134	126	0.59
ART 180 038	38	160	152	0.67
ART 180 050	50	184	176	0.74
ART 180 080	80	244	236	0.93
ART 180 100	100	284	276	1.06
ART 180 125	125	334	326	1.21
ART 180 160	160	404	396	1.43

CODE				
		bar psi	daN	daN
ART 180 050		150 2175	180	240
-----		---	---	---



	ENG ORDER		
	DEU BESTELLUNG		
	FRA COMMANDE		
	ITA ORDINE		
	ESP PEDIDO		
POR PEDIDO			

ART 180 50

ART 180 050

SEAL KIT S-XXXXXXX CARTRIDGE KIT C-XXXXXXX

**KIT S-XXXXXXX**  
**KIT C-XXXXXXX**

18 CG 1-Q

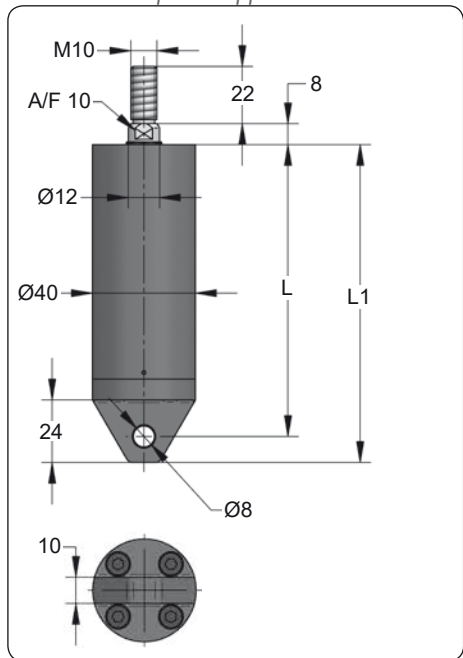
ENG REPAIR KIT	CHARGING ADAPTER
DEU ERSATZ	LADEADAPTER
FRA KIT DE RÉPARATION	RACCORD DE CHARGE
ITA KIT DI MANUTENZIONE	ADATTATORE DI CARICO
ESP KIT DE REPARACION	ADAPTADOR DE CARGA
POR KIT DE MANUTENÇÃO	ADAPTADOR DE CARGA

N <sub>2</sub>	S <sub>max</sub> < 90%	V <sub>max</sub> 0,5 m/s	P <sub>min</sub> (20°C)	P <sub>max</sub> (20°C)	T <sub>min</sub>	T <sub>max</sub>	

bar	psi	bar	psi	°C	°F	°C	°F	<b>X</b>
20	290	150	2175	0	32	80	176	

# AZOL GAS ART 300

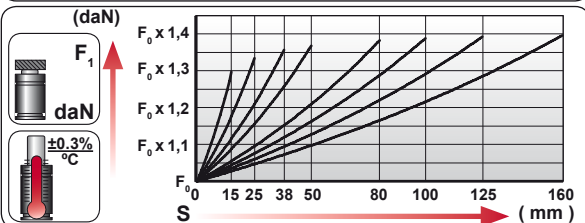
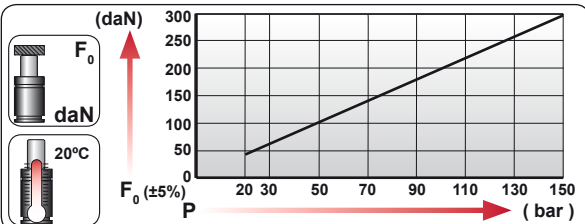
Special Applications



ORDER	S (mm)	L1 ±0,25 (mm)	L (mm)	Kg.
ART 300 015	15	122	112	0.83
ART 300 025	25	142	132	0.93
ART 300 038	38	168	158	1.05
ART 300 050	50	192	182	1.17
ART 300 080	80	252	242	1.46
ART 300 100	100	292	282	1.65
ART 300 125	125	342	332	1.89
ART 300 160	160	412	402	2.23



CODE				
	bar	psi	daN	daN
ART 300 050	150	2175	300	410
-----	---	---	---	---



ENG ORDER	DEU BESTELLUNG	FRA COMMANDE	ITA ORDINE	ESP PEDIDO	POR PEDIDO
ART	300	50			
ART 300 050					

SEAL KIT S-XXXXXXX

CARTRIDGE KIT C-XXXXXXX

**KIT S-XXXXXXX**

**KIT C-XXXXXXX**

**18 CG 1-Q**

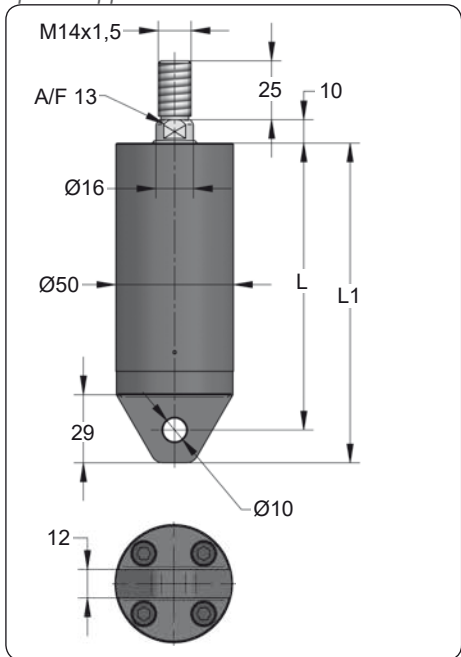
ENG REPAIR KIT	CHARGING ADAPTER
DEU ERSATZ	LADEADAPTER
FRA KIT DE RÉPARATION	RACCORD DE CHARGE
ITA KIT DI MANUTENZIONE	ADATTATORE DI CARICO
ESP KIT DE REPARACION	ADAPTADOR DE CARGA
POR KIT DE MANUTENÇÃO	ADAPTADOR DE CARGA

N <sub>2</sub>	S <sub>max</sub> < 90%	V <sub>max</sub> 0,5 m/s	P <sub>min</sub> (20°C)	P <sub>max</sub> (20°C)	T <sub>min</sub>	T <sub>max</sub>	

bar	psi	bar	psi	°C	°F	°C	°F	<b>X</b>
20	290	150	2175	0	32	80	176	

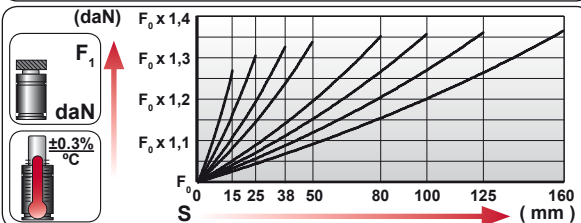
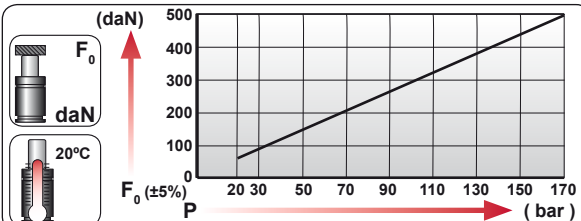
# ART 500

Special Applications



ORDER	S (mm)	L1 ±0,25 (mm)	L (mm)	Kg.
ART 500 015	15	136	122	1.50
ART 500 025	25	156	142	1.64
ART 500 038	38	182	168	1.82
ART 500 050	50	206	192	1.99
ART 500 080	80	266	252	2.41
ART 500 100	100	306	292	2.69
ART 500 125	125	356	342	3.05
ART 500 160	160	426	412	3.54

CODE				
		bar psi	daN	daN
ART 500 050		170 2465	500	670
-----		-----	-----	-----



ENG ORDER		
DEU BESTELLUNG	daN	mm
FRA COMMANDE		
ITA ORDINE		
ESP PEDIDO		
POR PEDIDO		
ART 500	50	50
ART 500 050		

SEAL KIT S-XXXXXXX  
 CARTRIDGE KIT C-XXXXXXX

**18 CG 1-Q**

ENG REPAIR KIT	CHARGING ADAPTER
DEU ERSATZ	LADEADAPTER
FRA KIT DE RÉPARATION	RACCORD DE CHARGE
ITA KIT DI MANUTENZIONE	ADATTATORE DI CARICO
ESP KIT DE REPARACION	ADAPTADOR DE CARGA
POR KIT DE MANUTENÇÃO	ADAPTADOR DE CARGA

**N<sub>2</sub>**

**Smax < 90%**

**Vmax 0,5 m/s**

**Pmin (20°C)**

**Pmax (20°C)**

**Tmin**

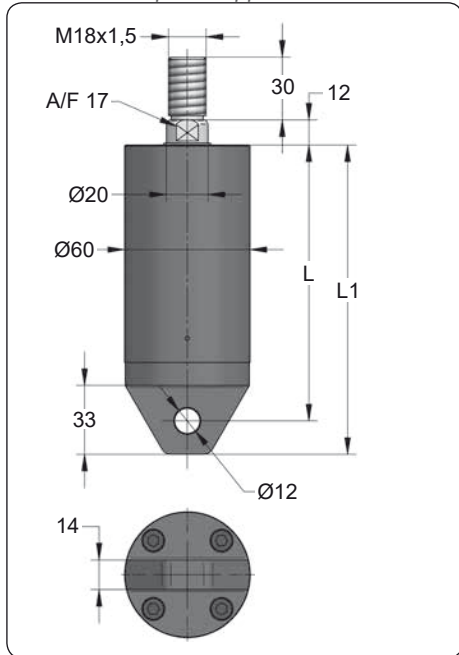
**Tmax**

N <sub>2</sub>	Smax < 90%	Vmax 0,5 m/s	bar psi 20 290	bar psi 170 2465	°C °F 0 32	°C °F 80 176	X
----------------	------------	--------------	-------------------	---------------------	---------------	-----------------	---



# AZOL GAS ART 750

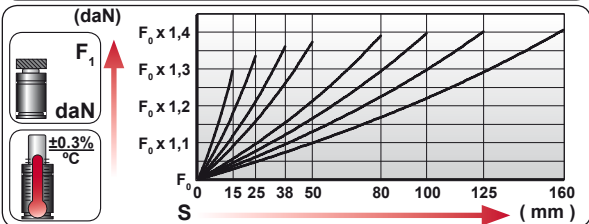
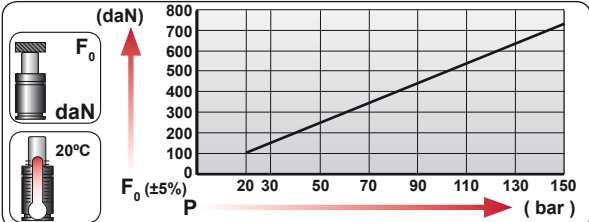
Special Applications

ORDER	S (mm)	L1 ±0,25 (mm)	L (mm)	Kg.
ART 750 015	15	148	132	2.32
ART 750 025	25	168	152	2.52
ART 750 038	38	194	178	2.77
ART 750 050	50	218	202	3.00
ART 750 080	80	278	262	3.59
ART 750 100	100	318	302	3.98
ART 750 125	125	368	352	4.47
ART 750 160	160	438	422	5.16



CODE				
	bar	psi	daN	daN
ART 750 050	150	2175	735	1010
-----	---	---	---	---



	ENG ORDER		
	DEU BESTELLUNG	daN	mm
	FRA COMMANDE		
	ITA ORDINE		
	ESP PEDIDO		
POR PEDIDO			

ART 750 50

ART 750 050

SEAL KIT S-XXXXXXX CARTRIDGE KIT C-XXXXXXX

**KIT S-XXXXXXX**  
**KIT C-XXXXXXX**

18 CG 1-Q

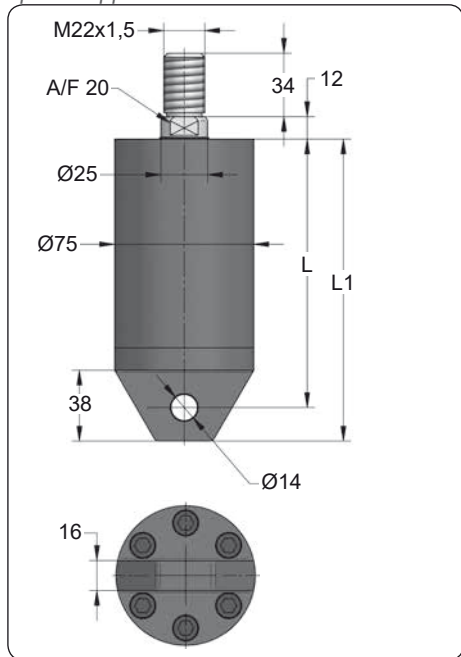
ENG REPAIR KIT	CHARGING ADAPTER
DEU ERSATZ	LADEADAPTER
FRA KIT DE RÉPARATION	RACCORD DE CHARGE
ITA KIT DI MANUTENZIONE	ADATTATORE DI CARICO
ESP KIT DE REPARACION	ADAPTADOR DE CARGA
POR KIT DE MANUTENÇÃO	ADAPTADOR DE CARGA

N <sub>2</sub>	S <sub>max</sub> < 90%	V <sub>max</sub> 0,5 m/s	P <sub>min</sub> (20°C)	P <sub>max</sub> (20°C)	T <sub>min</sub>	T <sub>max</sub>	

bar	psi	bar	psi	°C	°F	°C	°F	
20	290	150	2175	0	32	80	176	

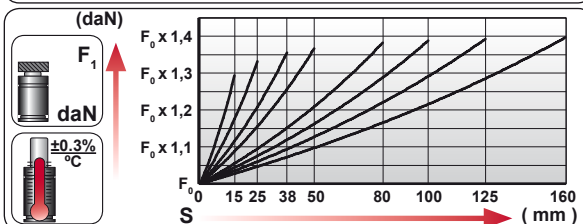
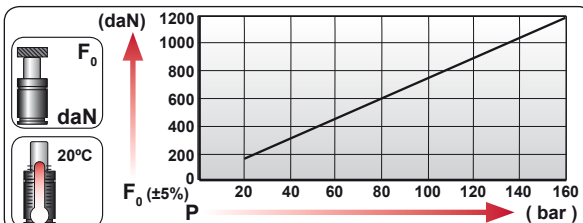
# ART 1200

Special Applications



ORDER	S (mm)	L1 ±0,25 (mm)	L (mm)	Kg.
ART 1200 015	15	162	144	4.01
ART 1200 025	25	182	164	4.33
ART 1200 038	38	208	190	4.74
ART 1200 050	50	232	214	5.12
ART 1200 080	80	292	274	6.06
ART 1200 100	100	332	314	6.69
ART 1200 125	125	382	364	7.48
ART 1200 160	160	452	434	8.58

CODE				
		bar psi	daN	daN
ART 1200 050		160 2320	1200	1640
-----		-----	-----	-----



ENG ORDER	DEU BESTELLUNG	FRA COMMANDE	ITA ORDINE	ESP PEDIDO	POR PEDIDO
ART	1200	50			
ART 1200 050					

SEAL KIT S-XXXXXXX

CARTRIDGE KIT C-XXXXXXX

**KIT S-XXXXXXX**

**KIT C-XXXXXXX**

**18 CG 1-Q**

ENG REPAIR KIT	CHARGING ADAPTER
DEU ERSATZ	LADEADAPTER
FRA KIT DE RÉPARATION	RACCORD DE CHARGE
ITA KIT DI MANUTENZIONE	ADATTATORE DI CARICO
ESP KIT DE REPARACION	ADAPTADOR DE CARGA
POR KIT DE MANUTENÇÃO	ADAPTADOR DE CARGA

**N<sub>2</sub>**

**Smax < 90%**

**Vmax 0,5 m/s**

**Pmin (20°C)**

**Pmax (20°C)**

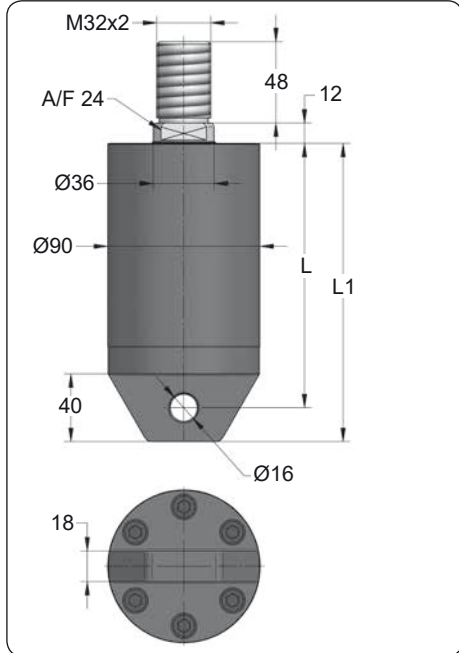
**Tmin**

**Tmax**

<b>N<sub>2</sub></b>	<b>Smax &lt; 90%</b>	<b>Vmax 0,5 m/s</b>	<b>bar psi</b> 20 290	<b>bar psi</b> 160 2320	<b>°C °F</b> 0 32	<b>°C °F</b> 80 176	<b>X</b>
----------------------	----------------------	---------------------	--------------------------	----------------------------	----------------------	------------------------	----------

# AZOL GAS ART 1500

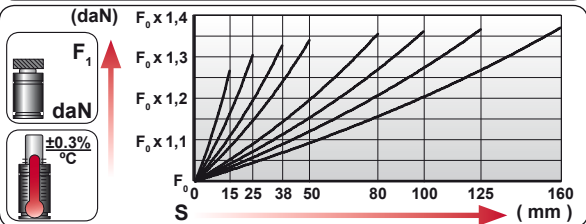
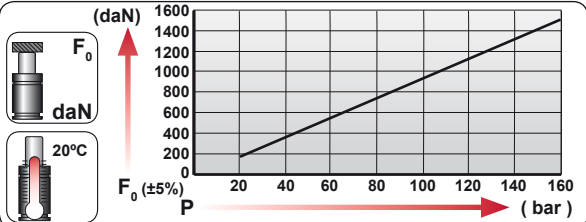
Special Applications



ORDER	S (mm)	L1 ±0,25 (mm)	L (mm)	Kg.
ART 1500 015	15	176	156	6.56
ART 1500 025	25	196	176	7.02
ART 1500 038	38	222	202	7.63
ART 1500 050	50	246	226	8.19
ART 1500 080	80	306	286	9.58
ART 1500 100	100	346	326	10.51
ART 1500 125	125	396	376	11.68
ART 1500 160	160	466	446	13.30



CODE				
		bar psi	daN	daN
ART 1500 050		160 2320	1500	2010
-----		---	---	---



	ENG ORDER		
	DEU BESTELLUNG		
	FRA COMMANDE		
	ITA ORDINE		
	ESP PEDIDO		
POR PEDIDO			

**ART 1500 50**

**ART 1500 050**

SEAL KIT S-XXXXXXX CARTRIDGE KIT C-XXXXXXX

**KIT S-XXXXXXX**  
**KIT C-XXXXXXX**

**18 CG 1-Q**

ENG REPAIR KIT	CHARGING ADAPTER
DEU ERSATZ	LADEADAPTER
FRA KIT DE RÉPARATION	RACCORD DE CHARGE
ITA KIT DI MANUTENZIONE	ADATTATORE DI CARICO
ESP KIT DE REPARACION	ADAPTADOR DE CARGA
POR KIT DE MANUTENÇÃO	ADAPTADOR DE CARGA

N <sub>2</sub>	S <sub>max</sub> < 90%	V <sub>max</sub> 0,5 m/s	P <sub>min</sub> (20°C)	P <sub>max</sub> (20°C)	T <sub>min</sub>	T <sub>max</sub>	

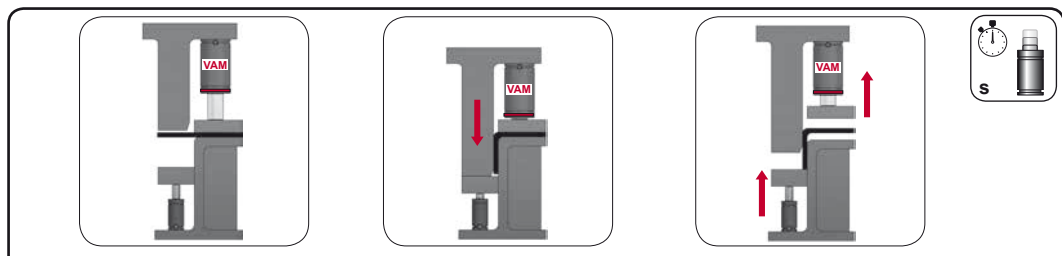
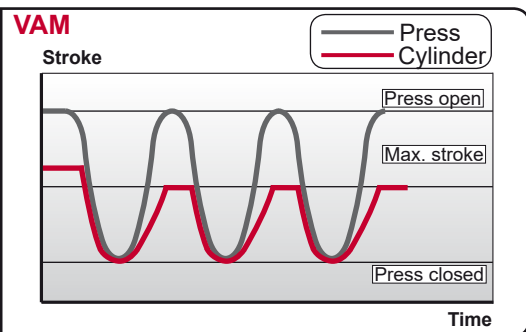
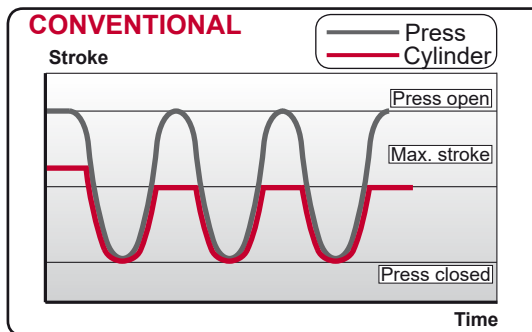
bar psi	bar psi	°C °F	°C °F	
20 290	160 2320	0 32	80 176	<b>X</b>





# VAM SLOWED RETURN

MODEL	F <sub>0</sub>	Ø	S	L1	Pmax	Charge Port		
VAM 300 V1	300	Ø45	25 - 100	135 - 285	150	G1/8"	✓	✓
VAM 750	750	Ø75	25 - 125	160 - 360	75	G1/8"	✓	✓
VAM 1500	1500	Ø95	25 - 125	170 - 370	75	G1/8"	✓	✓
VAM 3000	3000	Ø120	25 - 125	190 - 390	90	G1/8"	✓	✓
VAM 5000	5000	Ø150	25 - 125	205 - 405	100	G1/8"	✓	✓
VAM 7500	7500	Ø195	25 - 125	210 - 410	105	G1/8"	✓	✓



VAM gas spring meets the needs of applications requiring a **delayed return** of the rammer about the matrix. VAM gas spring when returns to its initial position, the first mm backs at the same speed as a conventional gas spring, and subsequently slowed.

## ADVANTAGES



- Prevents blank holder **bounce**.



- Increases **productivity**.



- Easy** implementation.



- Use **self-contained** or hosed.



- Compatible with **ISO** dimensions.



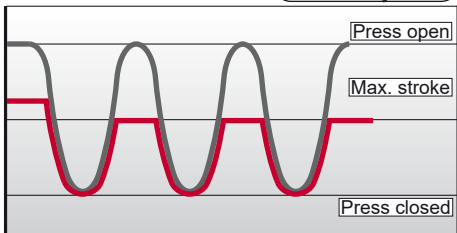
- Cost savings** to alternatives.

# VAM SLOWED RETURN



## CONVENTIONAL

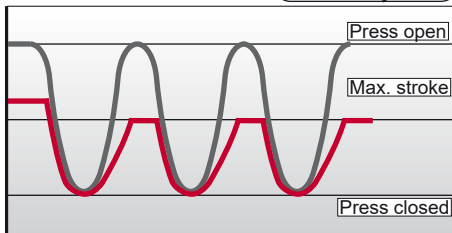
Stroke



Time

## VAM

Stroke



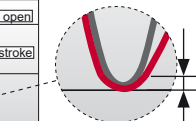
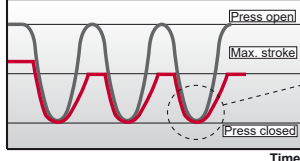
Time

VAM gas springs are designed to return stroke at a constant slowed speed.

## HOW IT WORKS

VAM

Stroke



First mm at conventional speed



NOMINAL FORCE (daN)	CONSTANT (k)	MAXIMUM SLOWED RETURN ( $t_{max}$ )
300	0.015	$t_{max} = k \times S_U$

**EXAMPLE:** VAM 300 080 (300 daN)

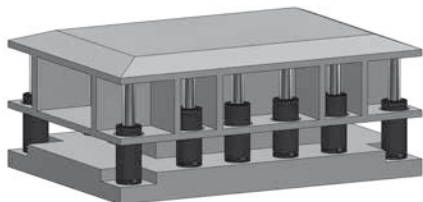
$$t_{max} = k \times S_U = 0.015 \times 80 = 1,2 \text{ seconds}$$

Stroke used ( $S_U$ )

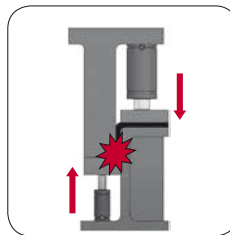
VAM gas spring when return to its initial position, the first mm backs at the same speed as a conventional gas spring and subsequently slowed.

Maximum slowed return stroke is defined to every model depending on used stroke.

## APPLICATIONS



BLANK HOLDER BOUNCE



RAMMER RISE & MATRIX REMOVE

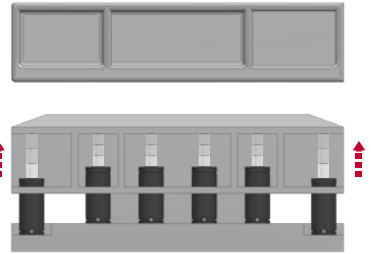
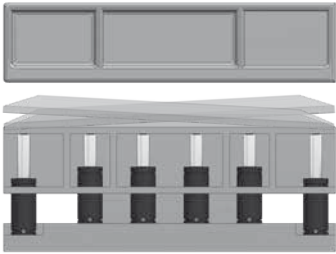
A) Increasing return speed in high speed presses (e.g. link drive presses) cause blank holder bounce back.

B) The ejector part starts working when the rammer is still holding it.



# VAM SLOWED RETURN

## CHALLENGE AND SOLUTION

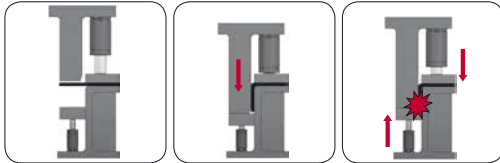


CHALLENGE: Blank holder bounce, difficult part transfer.

SOLUTION: VAM slow return piston rod eliminates blank holder bounce.

## CHALLENGE AND SOLUTION

### CHALLENGE



### SOLUTION



CHALLENGE: Synchronized movement of rammer rise and removal of matrix causes deformation of metal part.

SOLUTION: VAM slowed return piston rod makes possible the removal of metal part without being deformed.

## ADVANTAGES



- Prevents blank holder **bounce**.



- Increases **productivity**.



- **Easy** implementation.



- Use **self-contained** or **hosed**.



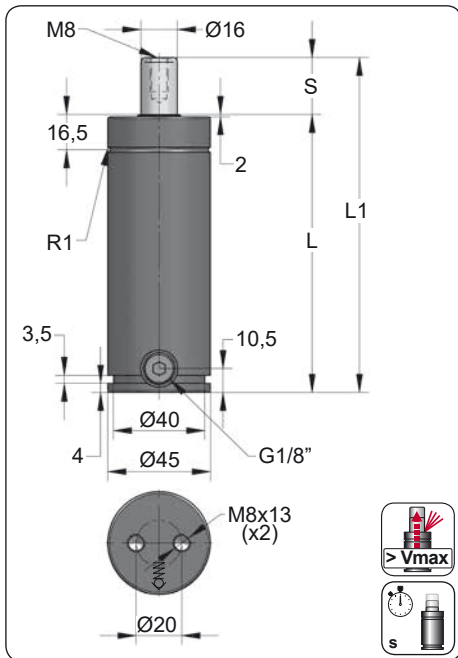
- Compatible with **ISO** dimensions.



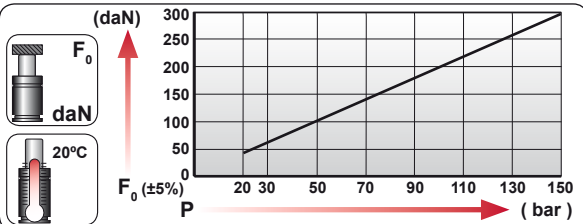
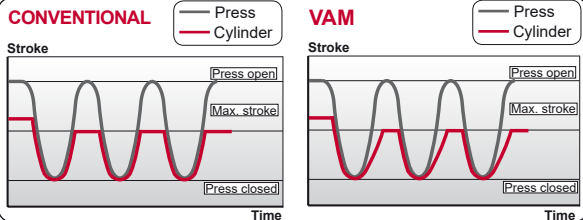
- **Cost savings** to alternatives.

# VAM 300 V1

Slowed Return

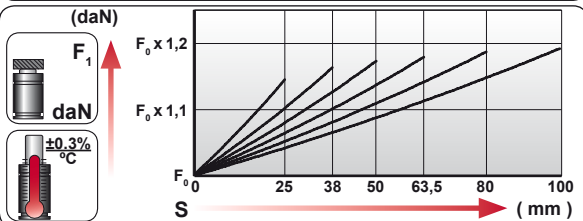


ORDER	S (mm)	L1 ±0,25 (mm)	L (mm)	Kg.
VAM 300 025 V1	25	135	110	1.12
VAM 300 038 V1	38	161	123	1.20
VAM 300 050 V1	50	185	135	1.27
VAM 300 063 V1	63.5	212	148.5	1.35
VAM 300 080 V1	80	245	165	1.45
VAM 300 100 V1	100	285	185	1.57

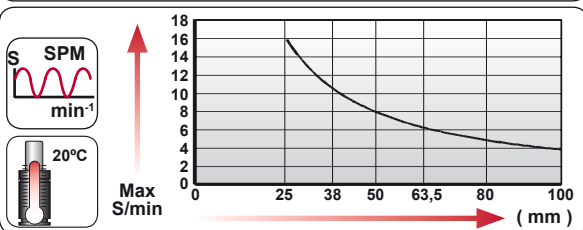


CODE	Pressure		F <sub>0</sub> daN	F <sub>1</sub> daN
	bar	psi		
VAM 300 V1	150	2175	300	350

- Spring-back depending on used stroke.
- Return stroke at constant slowed speed.
- Prevent over-heating by limiting SPM.



	ENG ORDER DEU BESTELLUNG FRA COMMANDE ITA ORDINE ESP PEDIDO POR PEDIDO	F <sub>0</sub> daN	S mm
<b>VAM 300 50</b>			
<b>VAM 300 050 V1</b>			



			Pmin (20°C)	Pmax (20°C)	Tmin	Tmax	
--	--	--	-------------	-------------	------	------	--

N <sub>2</sub>	Smax < 90%	Vmax 0,5 m/s	bar psi	bar psi	°C °F	°C °F	600 CP-
			20 290	150 2175	0 32	80 176	



**REQUIRED DATA**



• Do piston rod have to keep locked down? (yes / no)



• Desired force ( daN )



• Total stroke ( mm )



• Stroke used ( mm )



• Number of cycles per minute



• Desired slowed return ( eg. 1 second )

**MAXIMUM SLOWED RETURN**

VAM gas springs are designed to return stroke at a constant slowed speed. Maximum slowed return is defined to every model as per stroke used.

NOMINAL FORCE (daN)	CONSTANT (k)	MAXIMUM SLOWED RETURN (t <sub>max</sub> )
300	0.015	t <sub>max</sub> = k x S <sub>U</sub>

**EXAMPLE:** VAM 300 080 (300 daN)

$t_{max} = k \times S_U = 0.015 \times 80 = 1,2 \text{ seconds}$

Stroke used (S<sub>U</sub>)



**MAXIMUM WORKING FREQUENCY**

The energy provided by the press to the gas spring to compress it in every press cycle is greater than the energy used by the gas spring to return to its extended position. The difference in energy (transmitted from press and used by gas spring) is transformed into heat inside the gas spring. Consequently, to avoid overheating in slowed return gas springs, heat generation must be limited (SPM strokes per minute).

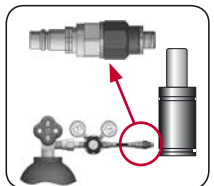
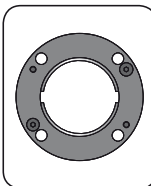
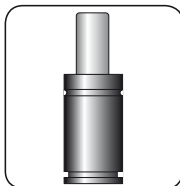
NOMINAL FORCE (daN)	MAXIMUM WORKING FREQUENCY (f <sub>max</sub> )
300	f <sub>max</sub> = 144000 / (S <sub>U</sub> x F <sub>U</sub> )

**EXAMPLE:** VAM 300 080 (300 daN)

$f_{max} = \frac{144000}{S_U \times F_U} = \frac{144000}{80 \times 300} = 6 \text{ cycles/minute}$

Stroke used (S<sub>U</sub>)

Force used (F<sub>U</sub>)



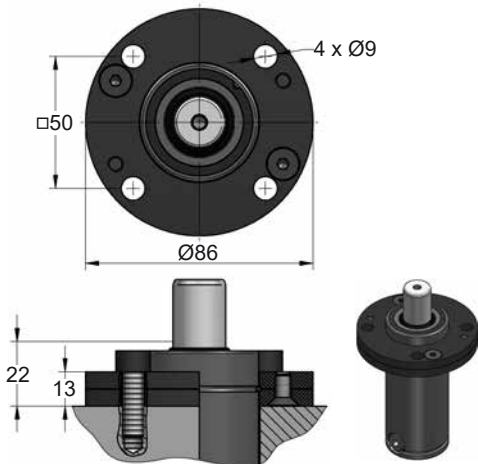
CODE	VAM 300 050 V1	KIT S-XXXXXXX KIT C-XXXXXXX	A14-045	18 CG 1-Q
ENG ORDER	GAS SPRING	REPAIR KIT	FLANGE	CHARGING ADAPTER
DEU BESTELLUNG	GASDRUCKFEDER	ERSATZTEILSATZ	FLANSCHEN	LADEADAPTER
FRA COMMANDE	RESSORT À GAZ	KIT DE RÉPARATION	BRIDE	RACCORD DE CHARGE
ITA ORDINE	CILINDRO AD AZOTO	KIT DI MANUTENZIONE	FLANGE	ADATTATORE DI CARICO
ESP PEDIDO	RESORTE DE GAS	KIT DE REPARACION	BRIDA	ADAPTADOR DE CARGA
POR PEDIDO	CILINDRO DE GÁS	KIT DE MANUTENÇÃO	FLANGE	ADAPTADOR DE CARGA

# VAM 300 V1 MOUNTS

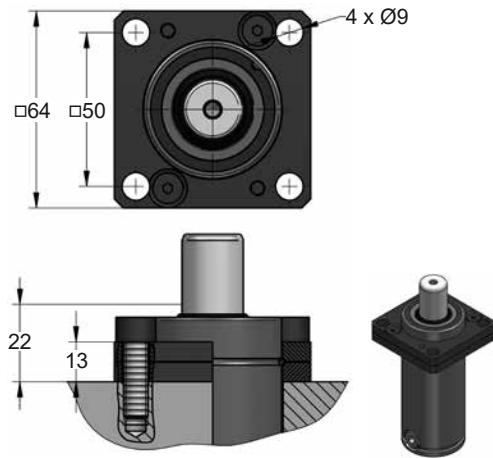
**AZOL**  
**GAS**

Slowed Return

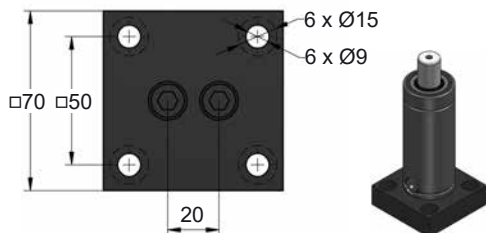
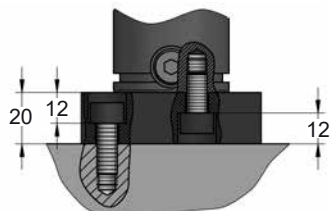
## A14-045



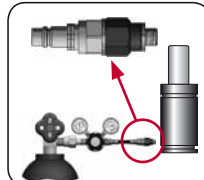
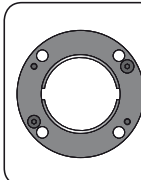
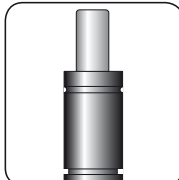
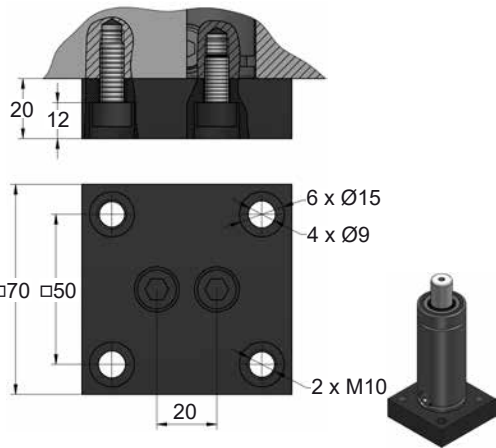
## A34-045



## B21-045



## B76-045



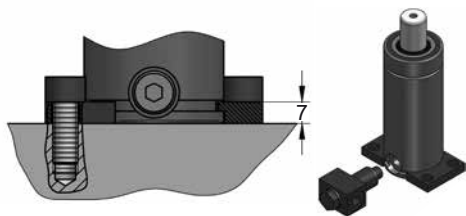
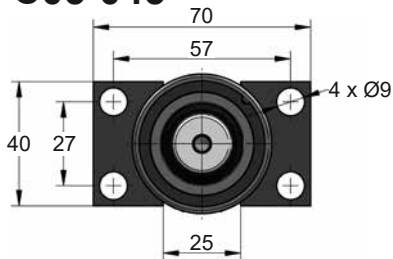
CODE	VAM 300 050 V1	KIT S-XXXXXXX KIT C-XXXXXXX	A14-045	18 CG 1-Q
ENG ORDER	GAS SPRING	REPAIR KIT	FLANGE	CHARGING ADAPTER
DEU BESTELLUNG	GASDRUCKFEDER	ERSATZTEILSATZ	FLANSCHEN	LADEADAPTER
FRA COMMANDE	RESSORT À GAZ	KIT DE RÉPARATION	BRIDE	RACCORD DE CHARGE
ITA ORDINE	CILINDRO AD AZOTO	KIT DI MANUTENZIONE	FLANGE	ADATTATORE DI CARICO
ESP PEDIDO	RESORTE DE GAS	KIT DE REPARACION	BRIDA	ADAPTADOR DE CARGA
POR PEDIDO	CILINDRO DE GAS	KIT DE MANUTENÇÃO	FLANGE	ADAPTADOR DE CARGA



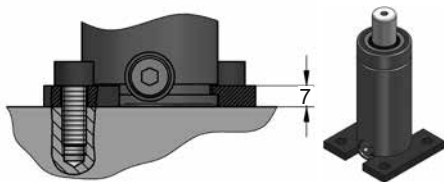
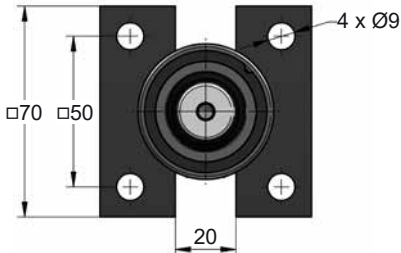
# VAM 300 V1 MOUNTS

Slowed Return

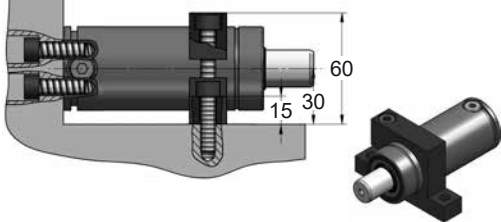
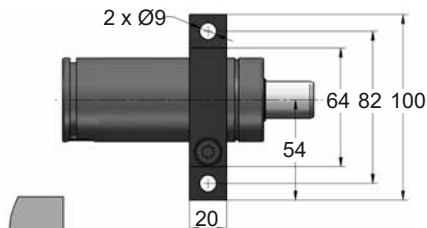
## C05-045



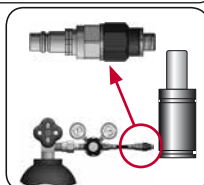
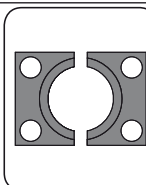
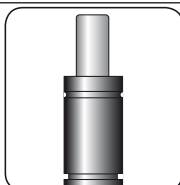
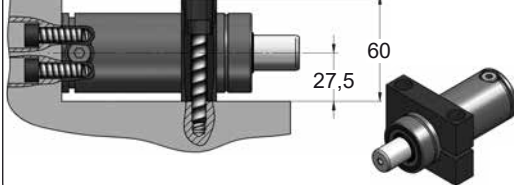
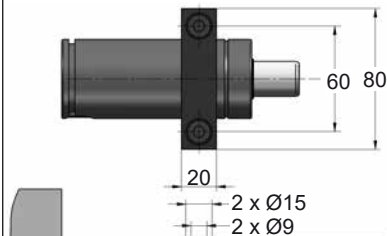
## C20-045



## D02-045



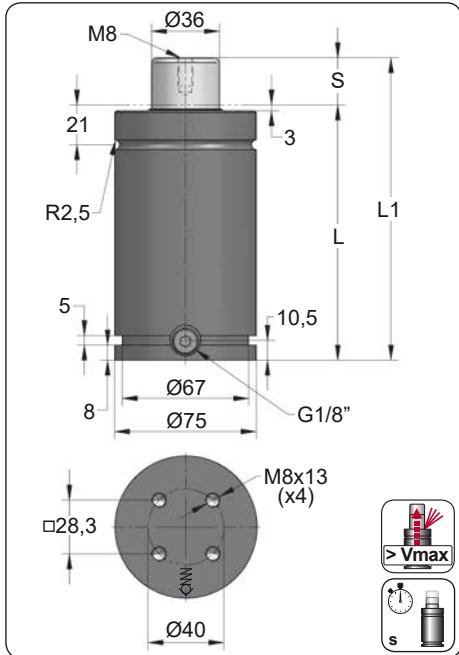
## D67-045



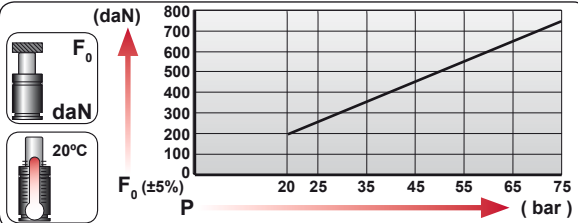
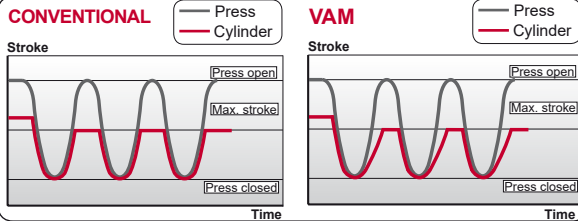
CODE	VAM 300 050 V1	KIT S-XXXXXXX KIT C-XXXXXXX	C05-045	18 CG 1-Q	
ENG	ORDER	GAS SPRING	REPAIR KIT	FLANGE	CHARGING ADAPTER
DEU	BESTELLUNG	GASDRUCKFEDER	ERSATZTEILSATZ	FLANSCHEN	LADEADAPTER
FRA	COMMANDE	RESSORT À GAZ	KIT DE RÉPARATION	BRIDE	RACCORD DE CHARGE
ITA	ORDINE	CILINDRO AD AZOTO	KIT DI MANUTENZIONE	FLANGE	ADATTATORE DI CARICO
ESP	PEDIDO	RESORTE DE GAS	KIT DE REPARACION	BRIDA	ADAPTADOR DE CARGA
POR	PEDIDO	CILINDRO DE GÁS	KIT DE MANUTENÇÃO	FLANGE	ADAPTADOR DE CARGA

# VAM 750

Slowed Return

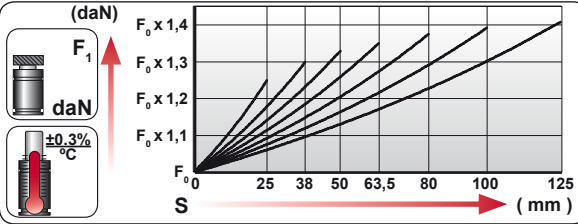


ORDER	S (mm)	L1 ±0,25 (mm)	L (mm)	Kg.
VAM 750 025	25	160	135	3.47
VAM 750 038	38	186	148	3.71
VAM 750 050	50	210	160	3.92
VAM 750 063	63.5	237	173.5	4.17
VAM 750 080	80	270	190	4.46
VAM 750 100	100	310	210	4.82
VAM 750 125	125	360	235	5.27

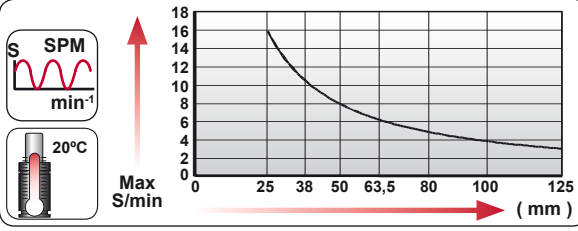


CODE	Pressure		F <sub>0</sub>	F <sub>1</sub>
	bar	psi	daN	daN
VAM 750	75	1088	760	1010

- Spring-back depending on used stroke.
- Return stroke at constant slowed speed.
- Prevent over-heating by limiting SPM.



	ENG ORDER DEU BESTELLUNG FRA COMMANDE ITA ORDINE ESP PEDIDO POR PEDIDO	F <sub>0</sub> daN	S mm
<b>VAM 750</b>		<b>50</b>	
<b>VAM 750 050</b>			



	S <sub>max</sub> 100%	v	P <sub>min</sub> (20°C) P <sub>max</sub> (20°C)	T <sub>min</sub> T <sub>max</sub>	
--	-----------------------	---	--	--------------------------------------	--

N <sub>2</sub>	S <sub>max</sub> < 90%	V <sub>max</sub> 0,5 m/s	bar psi 20 290	bar psi 75 1088	°C °F 0 32	°C °F 80 176	600 CP-
----------------	------------------------	--------------------------	-------------------	--------------------	---------------	-----------------	---------

**REQUIRED DATA**



• Do piston rod have to keep locked down? (yes / no)



• Desired force ( daN )



• Total stroke ( mm )



• Stroke used ( mm )



• Number of cycles per minute



• Desired slowed return ( eg. 1 second )

**MAXIMUM SLOWED RETURN**

VAM gas springs are designed to return stroke at a constant slowed speed. Maximum slowed return is defined to every model as per stroke used.

NOMINAL FORCE (daN)	CONSTANT (k)	MAXIMUM SLOWED RETURN (t <sub>max</sub> )
760	0.062	t <sub>max</sub> = k x S <sub>U</sub>

**EXAMPLE:** VAM 750 080 (760 daN)

$t_{max} = k \times S_U = 0.062 \times 80 = 4.9 \text{ seconds}$

Stroke used (S<sub>U</sub>)



**MAXIMUM WORKING FREQUENCY**

The energy provided by the press to the gas spring to compress it in every press cycle is greater than the energy used by the gas spring to return to its extended position. The difference in energy (transmitted from press and used by gas spring) is transformed into heat inside the gas spring. Consequently, to avoid overheating in slowed return gas springs, heat generation must be limited (SPM strokes per minute).

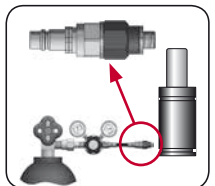
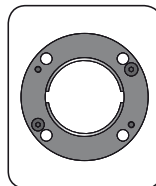
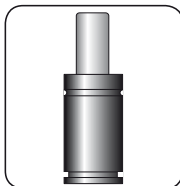
NOMINAL FORCE (daN)	MAXIMUM WORKING FREQUENCY (f <sub>max</sub> )
760	f <sub>max</sub> = $\frac{360000}{S_U \times F_U}$

**EXAMPLE:** VAM 750 080 (760 daN)

$f_{max} = \frac{360000}{S_U \times F_U} = \frac{360000}{80 \times 760} = 6 \text{ cycles/minute}$

Stroke used (S<sub>U</sub>)

Force used (F<sub>U</sub>)



CODE	VAM 750 050	KIT S-XXXXXXX KIT C-XXXXXXX	A14-075	18 CG 1-Q
ENG ORDER	GAS SPRING	REPAIR KIT	FLANGE	CHARGING ADAPTER
DEU BESTELLUNG	GASDRUCKFEDER	ERSATZTEILSATZ	FLANSCHEN	LADEADAPTER
FRA COMMANDE	RESSORT À GAZ	KIT DE RÉPARATION	BRIDE	RACCORD DE CHARGE
ITA ORDINE	CILINDRO AD AZOTO	KIT DI MANUTENZIONE	FLANGE	ADATTATORE DI CARICO
ESP PEDIDO	RESORTE DE GAS	KIT DE REPARACION	BRIDA	ADAPTADOR DE CARGA
POR PEDIDO	CILINDRO DE GÁS	KIT DE MANUTENÇÃO	FLANGE	ADAPTADOR DE CARGA

# VAM 750 MOUNTS

Slowed Return



### A14-075

ISO 9001 HAIXE TSE colson E24.54.815.G EM24.54.700/F

### A34-075

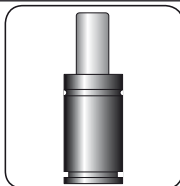
ISO 9001 VDI

### B21-075

colson E24.54.700/F

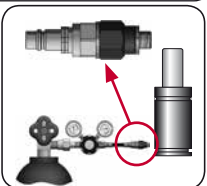
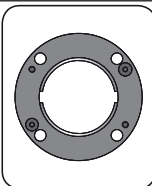
### B76-075

ISO 9001 HAIXE TSE colson E24.54.815.G EM24.54.700/F



**SEAL KIT S-XXXXXXX**

**CARTRIDGE KIT C-XXXXXXX**



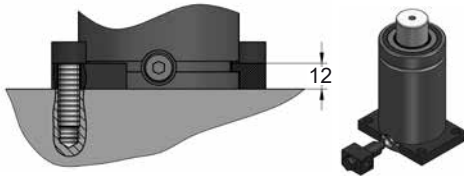
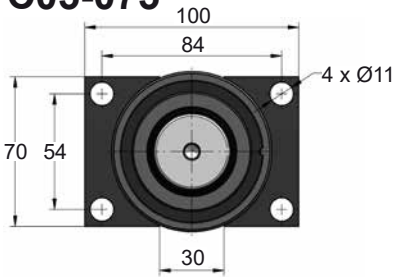
CODE	VAM 750 050	KIT S-XXXXXXX KIT C-XXXXXXX	A14-075	18 CG 1-Q
ENG ORDER	GAS SPRING	REPAIR KIT	FLANGE	CHARGING ADAPTER
DEU BESTELLUNG	GASDRUCKFEDER	ERSATZTEILSATZ	FLANSCHEN	LADEADAPTER
FRA COMMANDE	RESSORT À GAZ	KIT DE RÉPARATION	BRIDE	RACCORD DE CHARGE
ITA ORDINE	CILINDRO AD AZOTO	KIT DI MANUTENZIONE	FLANGE	ADATTATORE DI CARICO
ESP PEDIDO	RESORTE DE GAS	KIT DE REPARACION	BRIDA	ADAPTADOR DE CARGA
POR PEDIDO	CILINDRO DE GAS	KIT DE MANUTENÇÃO	FLANGE	ADAPTADOR DE CARGA



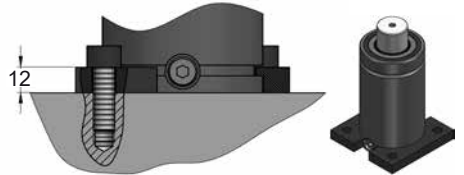
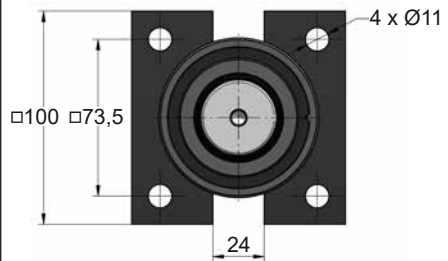
# VAM 750 MOUNTS

Slowed Return

## C05-075

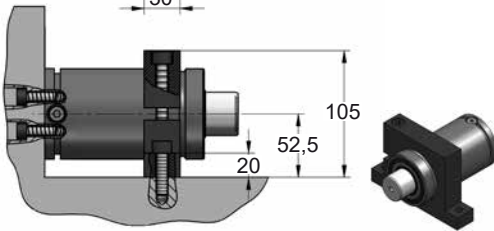
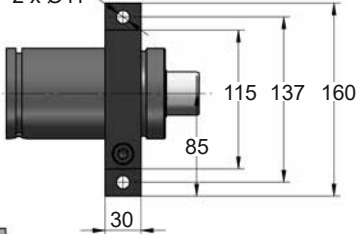


## C20-075

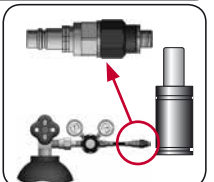
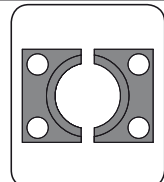
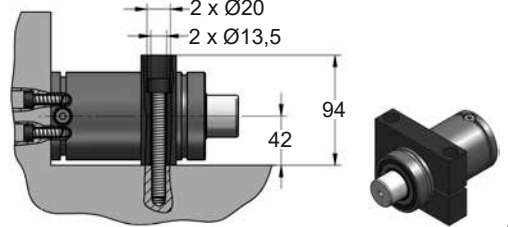
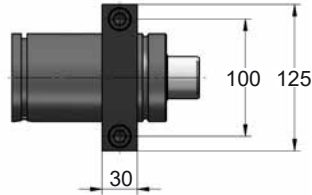


## D02-075

2 x Ø11



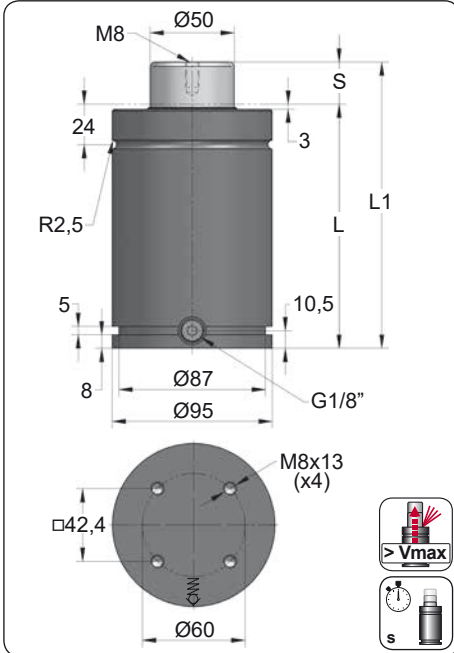
## D67-075



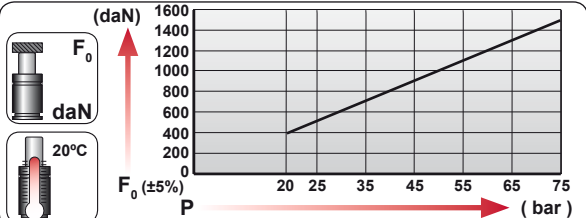
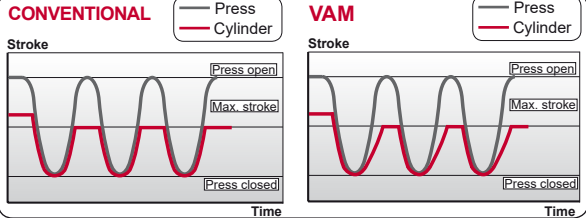
CODE	VAM 750 050	KIT S-XXXXXXX KIT C-XXXXXXX	C05-075	18 CG 1-Q
ENG ORDER	GAS SPRING	REPAIR KIT	FLANGE	CHARGING ADAPTER
DEU BESTELLUNG	GASDRUCKFEDER	ERSATZTEILSATZ	FLANSCHEN	LADEADAPTER
FRA COMMANDE	RESSORT À GAZ	KIT DE RÉPARATION	BRIDE	RACCORD DE CHARGE
ITA ORDINE	CILINDRO AD AZOTO	KIT DI MANUTENZIONE	FLANGE	ADATTATORE DI CARICO
ESP PEDIDO	RESORTE DE GAS	KIT DE REPARACION	BRIDA	ADAPTADOR DE CARGA
POR PEDIDO	CILINDRO DE GÁS	KIT DE MANUTENÇÃO	FLANGE	ADAPTADOR DE CARGA

# VAM 1500

Slowed Return

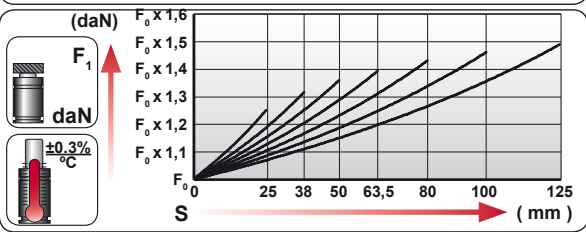


ORDER	S (mm)	L1 ±0,25 (mm)	L (mm)	Kg.
VAM 1500 025	25	170	145	6.13
VAM 1500 038	38	196	158	6.54
VAM 1500 050	50	220	170	6.91
VAM 1500 063	63.5	247	183.5	7.33
VAM 1500 080	80	280	200	7.84
VAM 1500 100	100	320	220	8.46
VAM 1500 125	125	370	245	9.23

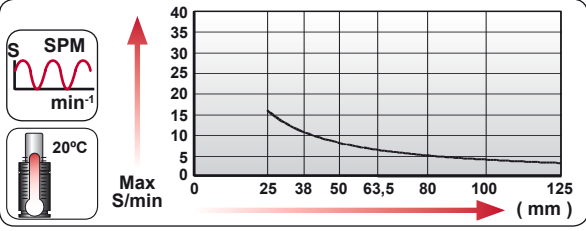


CODE	Pressure		Force	
	bar	psi	daN	daN
VAM 1500	75	1088	1470	2000

- Spring-back depending on used stroke.
- Return stroke at constant slowed speed.
- Prevent over-heating by limiting SPM.



	ENG ORDER DEU BESTELLUNG FRA COMMANDE ITA ORDINE ESP PEDIDO POR PEDIDO		
		daN	mm
<b>VAM 1500</b>		<b>50</b>	
<b>VAM 1500 050</b>			



N <sub>2</sub>	S <sub>max</sub> < 90%	V <sub>max</sub> 0,5 m/s	P <sub>min</sub> (20°C) P <sub>max</sub> (20°C)	T <sub>min</sub> T <sub>max</sub>	600 CP-

bar	psi	bar	psi	°C	°F	°C	°F
20	290	75	1088	0	32	80	176



## REQUIRED DATA



Do piston rod have to keep locked down? (yes / no)



Desired force ( daN )



Total stroke ( mm )



Stroke used ( mm )



Number of cycles per minute



Desired slowed return ( eg. 1 second )

## MAXIMUM SLOWED RETURN

VAM gas springs are designed to return stroke at a constant slowed speed. Maximum slowed return is defined to every model as per stroke used.

NOMINAL FORCE (daN)	CONSTANT (k)	MAXIMUM SLOWED RETURN (t <sub>max</sub> )
1470	0.09	t <sub>max</sub> = k x S <sub>U</sub>

**EXAMPLE:** VAM 1500 080 (1470 daN)

$$t_{max} = k \times S_U = 0.09 \times 80 = 7.2 \text{ seconds}$$

Stroke used (S<sub>U</sub>)



## MAXIMUM WORKING FREQUENCY

The energy provided by the press to the gas spring to compress it in every press cycle is greater than the energy used by the gas spring to return to its extended position. The difference in energy (transmitted from press and used by gas spring) is transformed into heat inside the gas spring. Consequently, to avoid overheating in slowed return gas springs, heat generation must be limited (SPM strokes per minute).

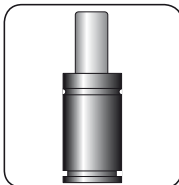
NOMINAL FORCE (daN)	MAXIMUM WORKING FREQUENCY (f <sub>max</sub> )
1470	f <sub>max</sub> = $\frac{720000}{S_U \times F_U}$

**EXAMPLE:** VAM 1500 080 (1470 daN)

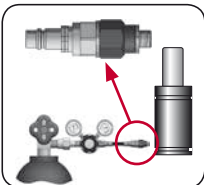
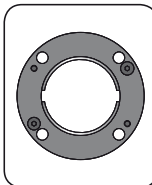
$$f_{max} = \frac{720000}{S_U \times F_U} = \frac{720000}{80 \times 1470} = 6 \text{ cycles/minute}$$

Stroke used (S<sub>U</sub>)

Force used (F<sub>U</sub>)



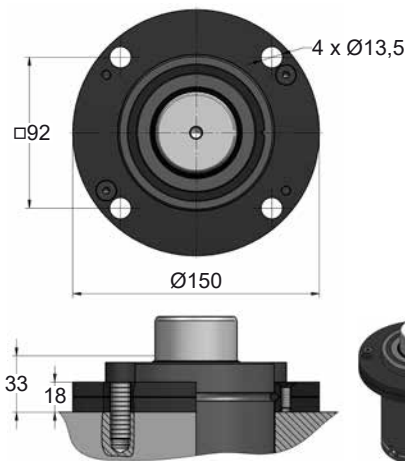
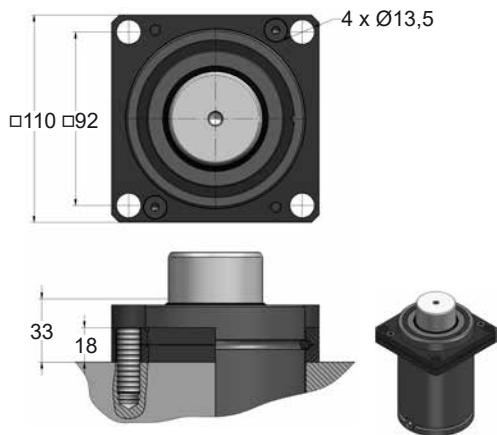
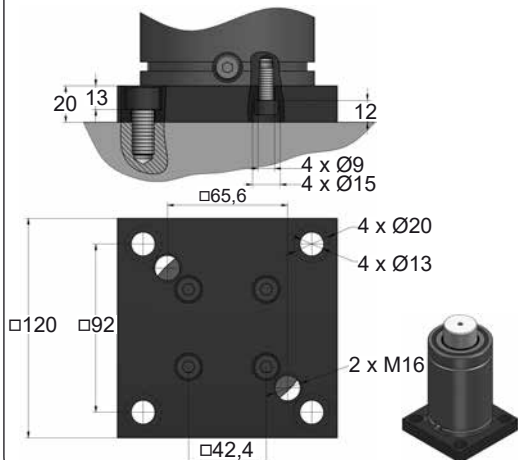
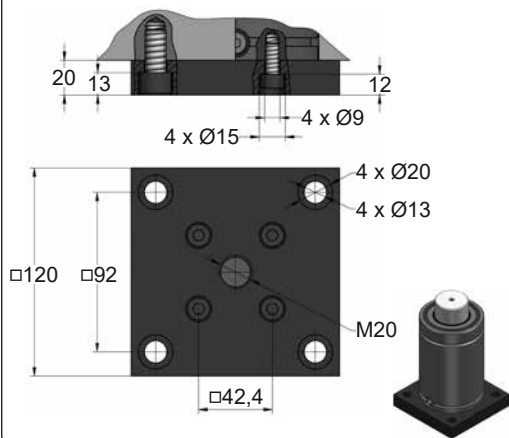
**SEAL KIT S-XXXXXXX**  
**CARTRIDGE KIT C-XXXXXXX**



CODE	VAM 1500 050	KIT S-XXXXXXX KIT C-XXXXXXX	A14-095	18 CG 1-Q
ENG ORDER	GAS SPRING	REPAIR KIT	FLANGE	CHARGING ADAPTER
DEU BESTELLUNG	GASDRUCKFEDER	ERSATZTEILSATZ	FLANSCHEN	LADEADAPTER
FRA COMMANDE	RESSORT À GAZ	KIT DE RÉPARATION	BRIDE	RACCORD DE CHARGE
ITA ORDINE	CILINDRO AD AZOTO	KIT DI MANUTENZIONE	FLANGE	ADATTATORE DI CARICO
ESP PEDIDO	RESORTE DE GAS	KIT DE REPARACION	BRIDA	ADAPTADOR DE CARGA
POR PEDIDO	CILINDRO DE GÁS	KIT DE MANUTENÇÃO	FLANGE	ADAPTADOR DE CARGA

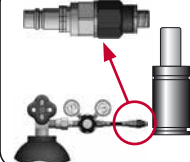
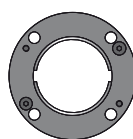
**VAM 1500 MOUNTS**

Slowed Return

**AZOL  
GAS** **A14-095****A34-095****B21-095****B76-095**

**SEAL  
KIT S-XXXXXXX**

**CARTRIDGE  
KIT C-XXXXXXX**



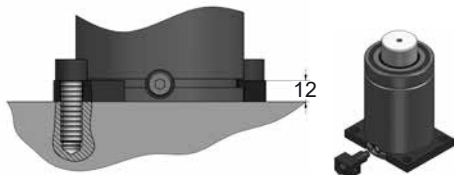
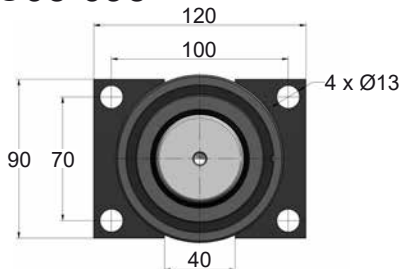
CODE	VAM 1500 050	KIT S-XXXXXXX KIT C-XXXXXXX	A14-095	18 CG 1-Q
ENG ORDER	GAS SPRING	REPAIR KIT	FLANGE	CHARGING ADAPTER
DEU BESTELLUNG	GASDRUCKFEDER	ERSATZTEILSATZ	FLANSCHEN	LADEADAPTER
FRA COMMANDE	RESSORT À GAZ	KIT DE RÉPARATION	BRIDE	RACCORD DE CHARGE
ITA ORDINE	CILINDRO AD AZOTO	KIT DI MANUTENZIONE	FLANGE	ADATTATORE DI CARICO
ESP PEDIDO	RESORTE DE GAS	KIT DE REPARACION	BRIDA	ADAPTADOR DE CARGA
POR PEDIDO	CILINDRO DE GÁS	KIT DE MANUTENÇÃO	FLANGE	ADAPTADOR DE CARGA



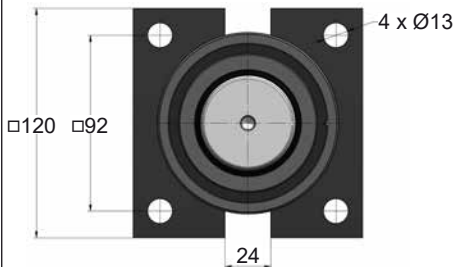
# VAM 1500 MOUNTS

Slowed Return

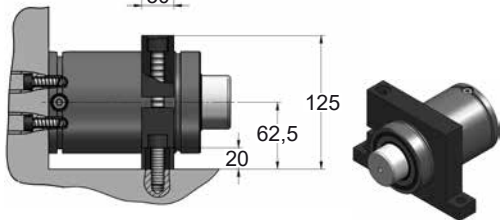
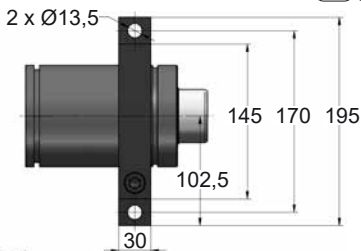
## C05-095



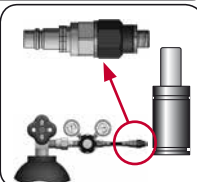
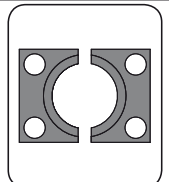
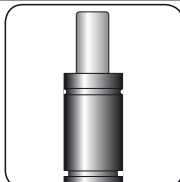
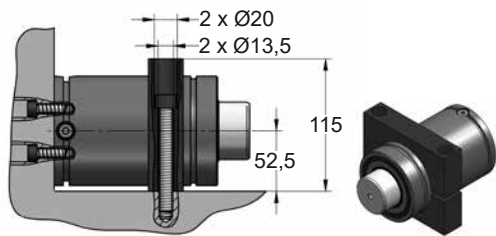
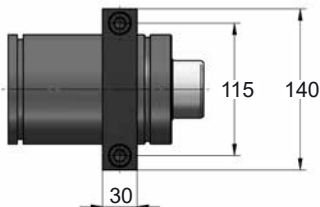
## C20-095



## D02-095



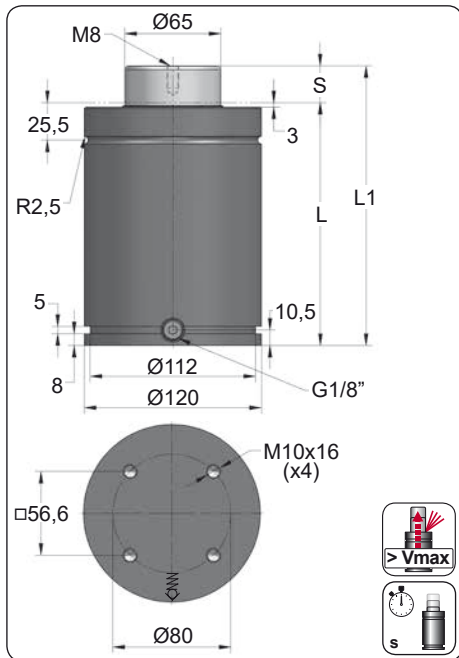
## D67-095



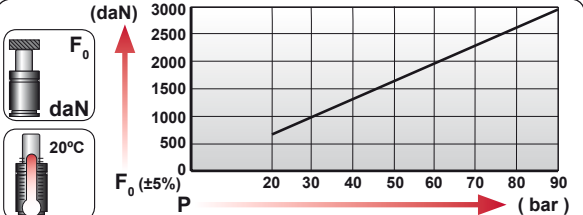
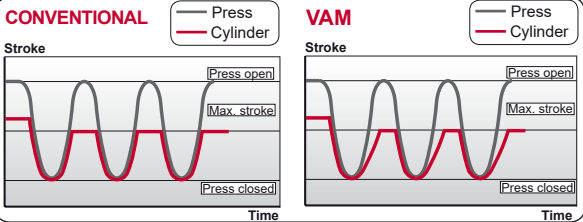
CODE	VAM 1500 050	KIT S-XXXXXXX KIT C-XXXXXXX	C05-095	18 CG 1-Q
ENG	ORDER	GAS SPRING	REPAIR KIT	FLANGE
DEU	BESTELLUNG	GASDRUCKFEDER	ERSATZTEILSATZ	FLANSCHEN
FRA	COMMANDE	RESSORT À GAZ	KIT DE RÉPARATION	BRIDE
ITA	ORDINE	CILINDRO AD AZOTO	KIT DI MANUTENZIONE	FLANGE
ESP	PEDIDO	RESORTE DE GAS	KIT DE REPARACION	BRIDA
POR	PEDIDO	CILINDRO DE GÁS	KIT DE MANUTENÇÃO	FLANGE
				CHARGING ADAPTER
				LADEADAPTER
				RACCORD DE CHARGE
				ADATTATORE DI CARICO
				ADAPTADOR DE CARGA
				ADAPTADOR DE CARGA

# VAM 3000

Slowed Return

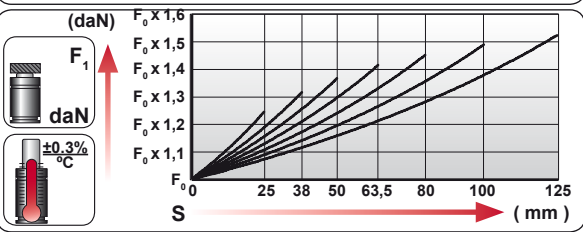


ORDER	S (mm)	L1 ±0,25 (mm)	L (mm)	Kg.
VAM 3000 025	25	190	165	11.04
VAM 3000 038	38	216	178	11.73
VAM 3000 050	50	240	190	12.37
VAM 3000 063,5	63,5	267	203,5	13.08
VAM 3000 080	80	300	220	13.96
VAM 3000 100	100	340	240	15.02
VAM 3000 125	125	390	265	16.34



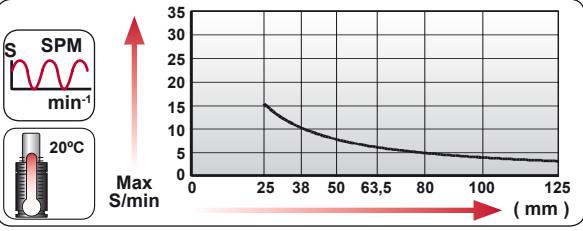
CODE	Pressure		Force	
	bar	psi	daN	daN
VAM 3000	90	1305	2985	4080

- Spring-back depending on used stroke.
- Return stroke at constant slowed speed.
- Prevent over-heating by limiting SPM.



ENG ORDER  
 DEU BESTELLUNG  
 FRA COMMANDE  
 ITA ORDINE  
 ESP PEDIDO  
 POR PEDIDO

**VAM 3000**    **50**  
**VAM 3000 050**



N<sub>2</sub>

Smax < 90%

Vmax 0,5 m/s

Pmin (20°C)    Pmax (20°C)

Tmin    Tmax

600 CP-

N <sub>2</sub>	Smax < 90%	Vmax 0,5 m/s	bar psi	bar psi	°C °F	°C °F	600 CP-
			20 290	90 1305	0 32	80 176	

**REQUIRED DATA**



• Do piston rod have to keep locked down? (yes / no).....



• Desired force ( daN ).....



• Total stroke ( mm ).....



• Stroke used ( mm ).....



• Number of cycles per minute.....



• Desired slowed return ( eg. 1 second).....

**MAXIMUM SLOWED RETURN**

VAM gas springs are designed to return stroke at a constant slowed speed. Maximum slowed return is defined to every model as per stroke used.

NOMINAL FORCE (daN)	CONSTANT (k)	MAXIMUM SLOWED RETURN (t <sub>max</sub> )
2985	0.131	t <sub>max</sub> = k x S <sub>U</sub>

**EXAMPLE:** VAM 3000 080 (2985 daN)

t<sub>max</sub> = k x S<sub>U</sub> = 0.131 x 80 = 10 seconds

Stroke used (S<sub>U</sub>)



**MAXIMUM WORKING FREQUENCY**

The energy provided by the press to the gas spring to compress it in every press cycle is greater than the energy used by the gas spring to return to its extended position. The difference in energy (transmitted from press and used by gas spring) is transformed into heat inside the gas spring. Consequently, to avoid overheating in slowed return gas springs, heat generation must be limited (SPM strokes per minute).

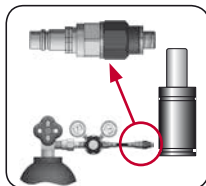
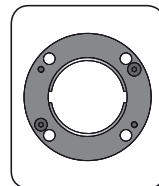
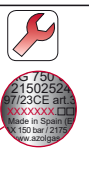
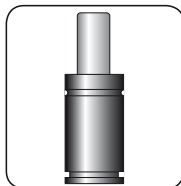
NOMINAL FORCE (daN)	MAXIMUM WORKING FREQUENCY (f <sub>max</sub> )
2985	f <sub>max</sub> = 1368000 / (S <sub>U</sub> x F <sub>U</sub> )

**EXAMPLE:** VAM 3000 080 (2985 daN)

f<sub>max</sub> = 1368000 / (S<sub>U</sub> x F<sub>U</sub>) = 1368000 / (80 x 2985) = 5 cycles/minute

Stroke used (S<sub>U</sub>)

Force used (F<sub>U</sub>)



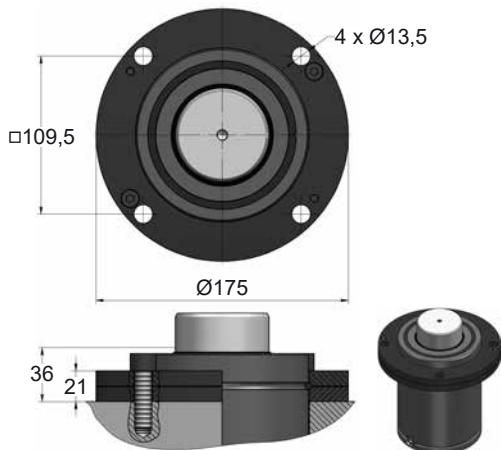
CODE	VAM 3000 050	KIT S-XXXXXXX KIT C-XXXXXXX	A14-120	18 CG 1-Q
ENG ORDER	GAS SPRING	REPAIR KIT	FLANGE	CHARGING ADAPTER
DEU BESTELLUNG	GASDRUCKFEDER	ERSATZTEILSATZ	FLANSCH	LADEADAPTER
FRA COMMANDE	RESSORT À GAZ	KIT DE RÉPARATION	BRIDE	RACCORD DE CHARGE
ITA ORDINE	CILINDRO AD AZOTO	KIT DI MANUTENZIONE	FLANGE	ADATTATORE DI CARICO
ESP PEDIDO	RESORTE DE GAS	KIT DE REPARACION	BRIDA	ADAPTADOR DE CARGA
POR PEDIDO	CILINDRO DE GÁS	KIT DE MANUTENÇÃO	FLANGE	ADAPTADOR DE CARGA

# VAM 3000 MOUNTS

Slowed Return

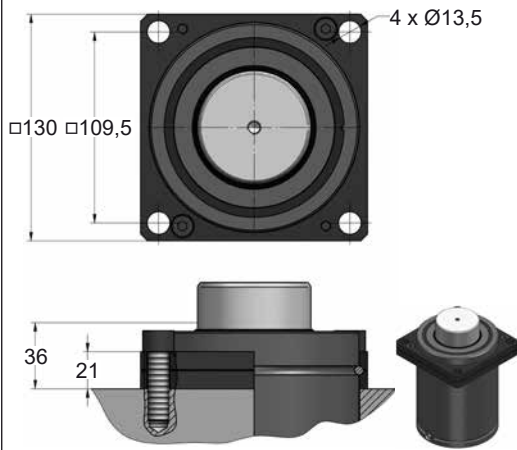
**AZOL**  
**GAS**

## A14-120

 ISO HAAREZ colson E24.54.815.G  
 EM24.54.700F


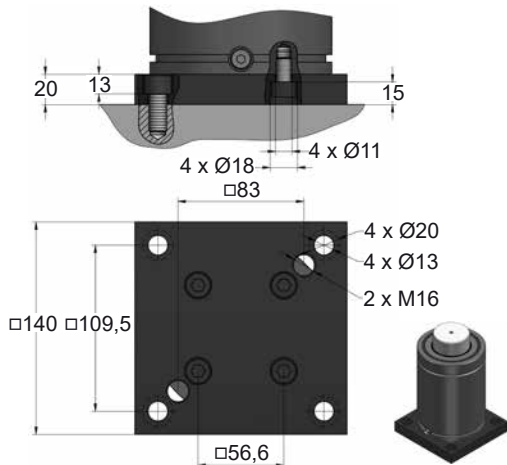
## A34-120

ISO VDI



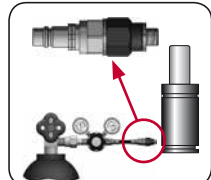
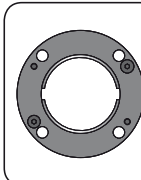
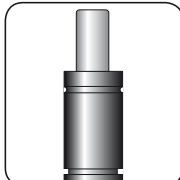
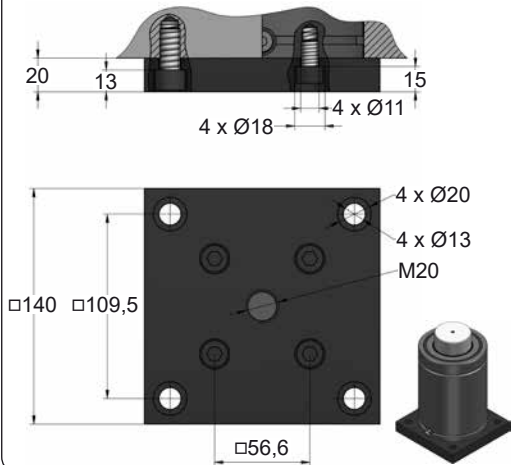
## B21-120

colson EM24.54.700F



## B76-120

ISO HAAREZ colson EM24.54.700F



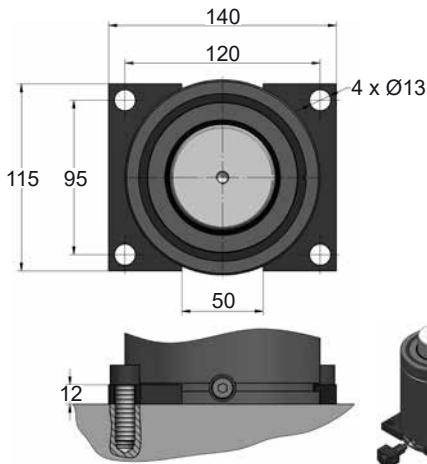
CODE	VAM 3000 050	KIT S-XXXXXXX KIT C-XXXXXXX	A14-120	18 CG 1-Q
ENG ORDER	GAS SPRING	REPAIR KIT	FLANGE	CHARGING ADAPTER
DEU BESTELLUNG	GASDRUCKFEDER	ERSATZTEILSATZ	FLANSCHEN	LADEADAPTER
FRA COMMANDE	RESSORT À GAZ	KIT DE RÉPARATION	BRIDE	RACCORD DE CHARGE
ITA ORDINE	CILINDRO AD AZOTO	KIT DI MANUTENZIONE	FLANGE	ADATTATORE DI CARICO
ESP PEDIDO	RESORTE DE GAS	KIT DE REPARACION	BRIDA	ADAPTADOR DE CARGA
POR PEDIDO	CILINDRO DE GÁS	KIT DE MANUTENÇÃO	FLANGE	ADAPTADOR DE CARGA



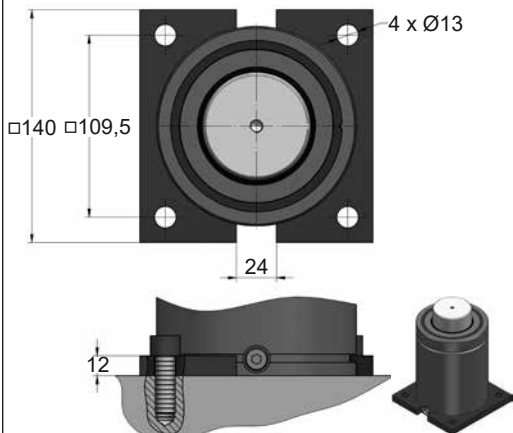
# VAM 3000 MOUNTS

Slowed Return

## C05-120

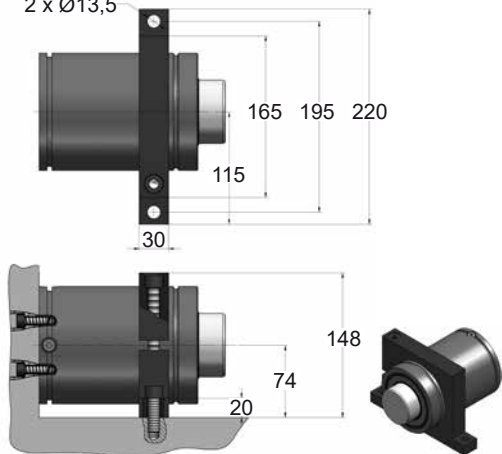


## C20-120

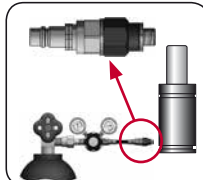
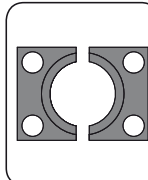
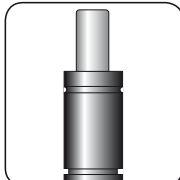
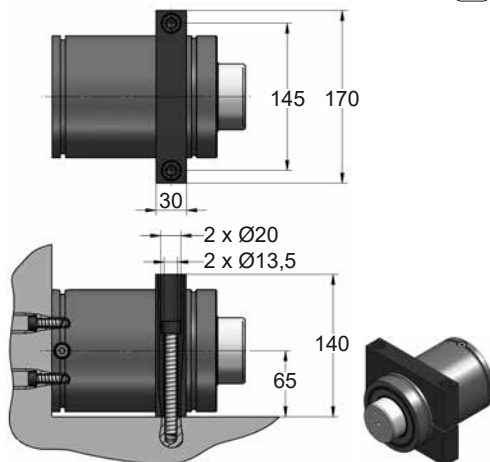


## D02-120

2 x Ø13,5



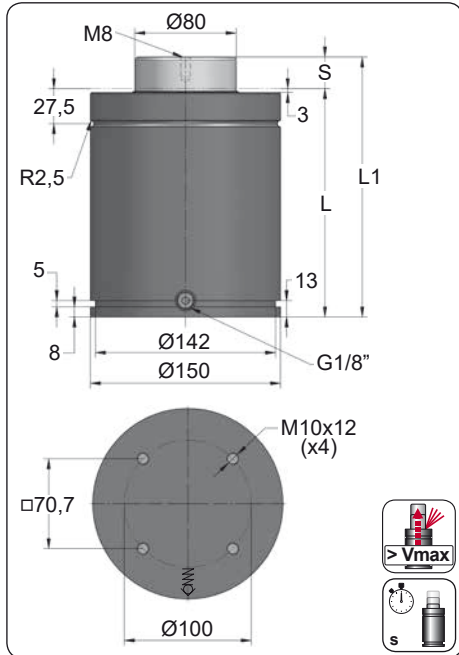
## D67-120



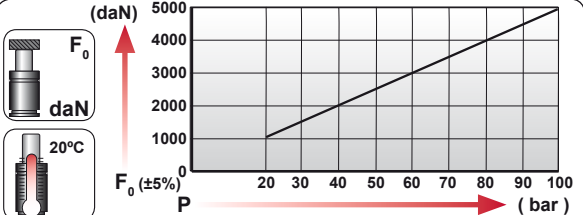
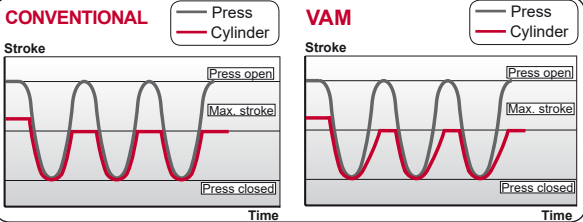
CODE	VAM 3000 050	KIT S-XXXXXXX KIT C-XXXXXXX	C05-120	18 CG 1-Q
ENG ORDER	GAS SPRING	REPAIR KIT	FLANGE	CHARGING ADAPTER
DEU BESTELLUNG	GASDRUCKFEDER	ERSATZTEILSATZ	FLANSCHEN	LADEADAPTER
FRA COMMANDE	RESSORT À GAZ	KIT DE RÉPARATION	BRIDE	RACCORD DE CHARGE
ITA ORDINE	CILINDRO AD AZOTO	KIT DI MANUTENZIONE	FLANGE	ADATTATORE DI CARICO
ESP PEDIDO	RESORTE DE GAS	KIT DE REPARACION	BRIDA	ADAPTADOR DE CARGA
POR PEDIDO	CILINDRO DE GÁS	KIT DE MANUTENÇÃO	FLANGE	ADAPTADOR DE CARGA

# VAM 5000

Slowed Return

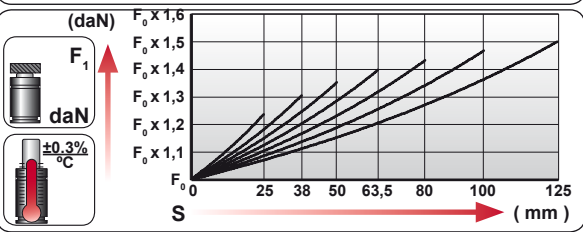


ORDER	S (mm)	L1 ±0,25 (mm)	L (mm)	Kg.
VAM 5000 025	25	205	180	19.22
VAM 5000 038	38	231	193	20.27
VAM 5000 050	50	255	205	21.25
VAM 5000 063	63.5	282	218.5	22.34
VAM 5000 080	80	315	235	23.68
VAM 5000 100	100	355	255	25.30
VAM 5000 125	125	405	280	27.32

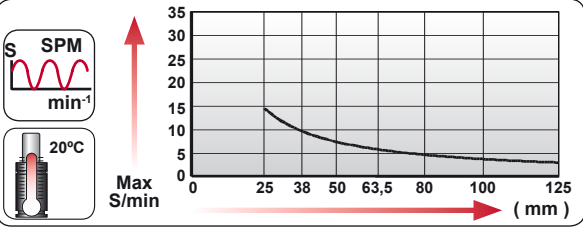


CODE	Pressure		Force	
	bar	psi	daN	daN
VAM 5000	100	1450	5025	6800

- Spring-back depending on used stroke.
- Return stroke at constant slowed speed.
- Prevent over-heating by limiting SPM.



	ENG ORDER DEU BESTELLUNG FRA COMMANDE ITA ORDINE ESP PEDIDO POR PEDIDO	F <sub>0</sub> daN	S mm
<b>VAM 5000</b>		<b>5000</b>	<b>50</b>
<b>VAM 5000 050</b>			



	S <sub>max</sub> 100%	v	P <sub>min</sub> (20°C) P <sub>max</sub> (20°C)	T <sub>min</sub> T <sub>max</sub>	
--	-----------------------	---	--	--------------------------------------	--

N <sub>2</sub>	S <sub>max</sub> < 90%	V <sub>max</sub> 0,5 m/s	bar psi	bar psi	°C °F	°C °F	600 CP-
			20 290	100 1450	0 32	80 176	



**REQUIRED DATA**



• Do piston rod have to keep locked down? (yes / no).....



• Desired force ( daN ).....



• Total stroke ( mm ).....



• Stroke used ( mm ).....



• Number of cycles per minute.....



• Desired slowed return ( eg. 1 second).....

**MAXIMUM SLOWED RETURN**

VAM gas springs are designed to return stroke at a constant slowed speed. Maximum slowed return is defined to every model as per stroke used.

NOMINAL FORCE (daN)	CONSTANT (k)	MAXIMUM SLOWED RETURN (t <sub>max</sub> )
5025	0.214	t <sub>max</sub> = k x S <sub>U</sub>

**EXAMPLE:** VAM 5000 080 (5025 daN)

t<sub>max</sub> = k x S<sub>U</sub> = 0.214 x 80 = 17 seconds

Stroke used (S<sub>U</sub>)



**MAXIMUM WORKING FREQUENCY**

The energy provided by the press to the gas spring to compress it in every press cycle is greater than the energy used by the gas spring to return to its extended position. The difference in energy (transmitted from press and used by gas spring) is transformed into heat inside the gas spring. Consequently, to avoid overheating in slowed return gas springs, heat generation must be limited (SPM strokes per minute).

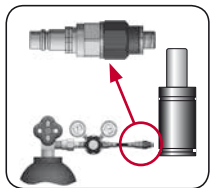
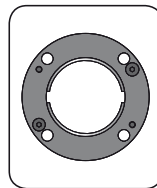
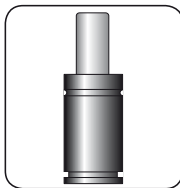
NOMINAL FORCE (daN)	MAXIMUM WORKING FREQUENCY (f <sub>max</sub> )
5025	f <sub>max</sub> = 2160000 / (S <sub>U</sub> x F <sub>U</sub> )

**EXAMPLE:** VAM 5000 080 (5025 daN)

f<sub>max</sub> = 2160000 / (S<sub>U</sub> x F<sub>U</sub>) = 2160000 / (80 x 5025) = 5 cycles/minute

Stroke used (S<sub>U</sub>)

Force used (F<sub>U</sub>)

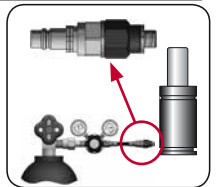
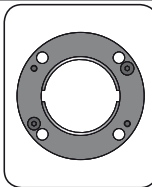
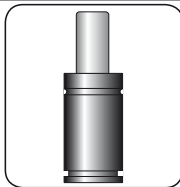
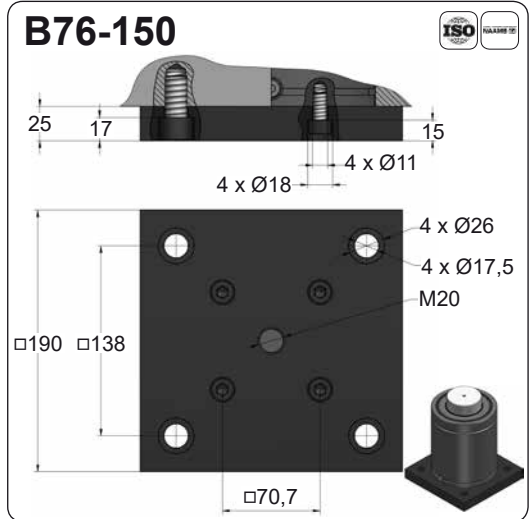
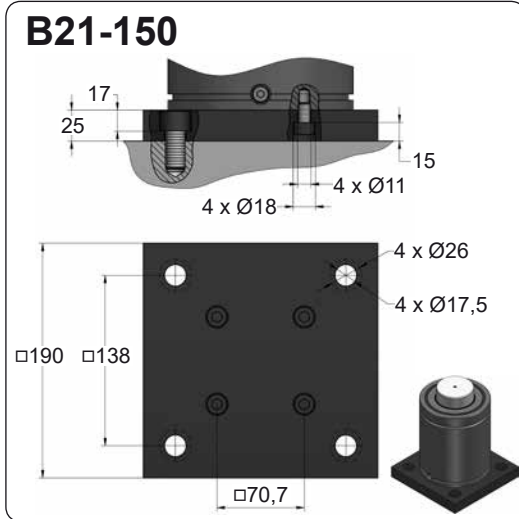
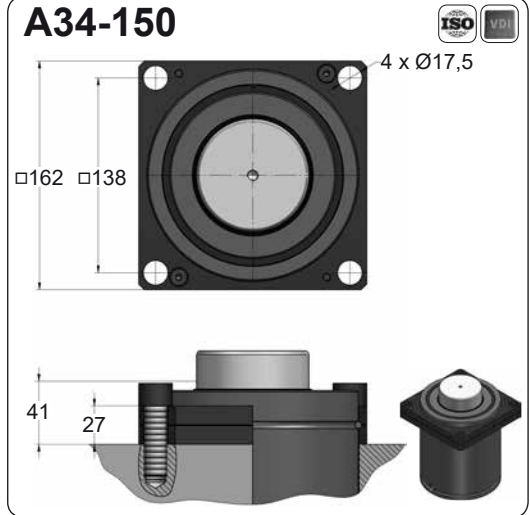
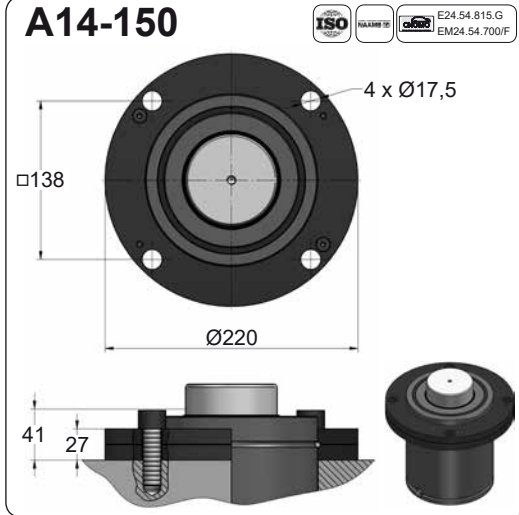


CODE	VAM 5000 050	KIT S-XXXXXXX KIT C-XXXXXXX	A14-150	18 CG 1-Q
ENG ORDER	GAS SPRING	REPAIR KIT	FLANGE	CHARGING ADAPTER
DEU BESTELLUNG	GASDRUCKFEDER	ERSATZTEILSATZ	FLANSCH	LADEADAPTER
FRA COMMANDE	RESSORT À GAZ	KIT DE RÉPARATION	BRIDE	RACCORD DE CHARGE
ITA ORDINE	CILINDRO AD AZOTO	KIT DI MANUTENZIONE	FLANGE	ADATTATORE DI CARICO
ESP PEDIDO	RESORTE DE GAS	KIT DE REPARACION	BRIDA	ADAPTADOR DE CARGA
POR PEDIDO	CILINDRO DE GÁS	KIT DE MANUTENÇÃO	FLANGE	ADAPTADOR DE CARGA

# VAM 5000 MOUNTS

Slowed Return

**AZOL**  
**GAS**



CODE	VAM 5000 050	KIT S-XXXXXXX KIT C-XXXXXXX	A14-150	18 CG 1-Q
ENG ORDER	GAS SPRING	REPAIR KIT	FLANGE	CHARGING ADAPTER
DEU BESTELLUNG	GASDRUCKFEDER	ERSATZTEILSATZ	FLANSCHEN	LADEADAPTER
FRA COMMANDE	RESSORT À GAZ	KIT DE RÉPARATION	BRIDE	RACCORD DE CHARGE
ITA ORDINE	CILINDRO AD AZOTO	KIT DI MANUTENZIONE	FLANGE	ADATTATORE DI CARICO
ESP PEDIDO	RESORTE DE GAS	KIT DE REPARACION	BRIDA	ADAPTADOR DE CARGA
POR PEDIDO	CILINDRO DE GAS	KIT DE MANUTENÇÃO	FLANGE	ADAPTADOR DE CARGA



# VAM 5000 MOUNTS

Slowed Return

### C05-150

190  
165  
145 120  
60  
12  
4 x Ø17,5

### C20-150

190 138  
24  
12  
4 x Ø17,5

ISO VDI CALOR E24.54.815.G EM24.54.700/F

### D02-150

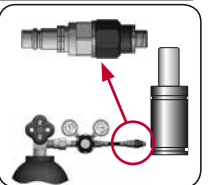
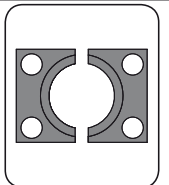
2 x Ø13,5  
200 230 260  
135  
30  
200  
100  
20

ISO CALOR E24.54.815.G

### D67-150

175 200  
30  
2 x Ø20  
2 x Ø13,5  
170  
80

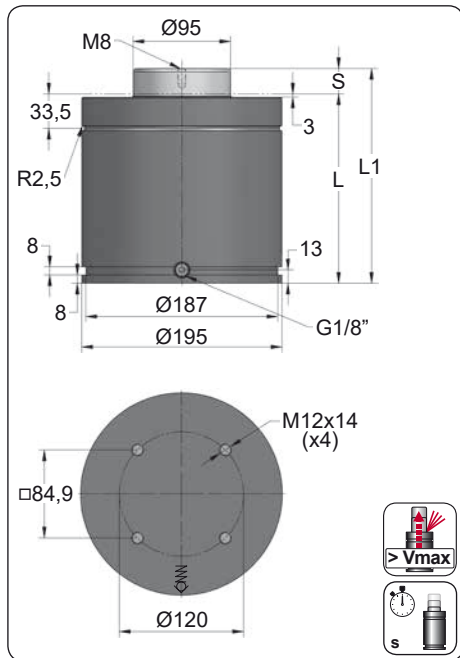
VDI



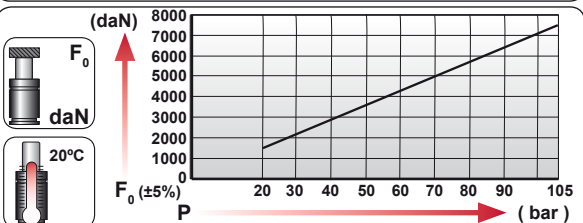
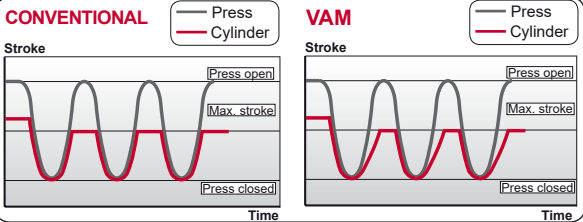
CODE	VAM 5000 050	KIT S-XXXXXXX KIT C-XXXXXXX	C05-150	18 CG 1-Q
ENG ORDER	GAS SPRING	REPAIR KIT	FLANGE	CHARGING ADAPTER
DEU BESTELLUNG	GASDRUCKFEDER	ERSATZTEILSATZ	FLANSCHEN	LADEADAPTER
FRA COMMANDE	RESSORT À GAZ	KIT DE RÉPARATION	BRIDE	RACCORD DE CHARGE
ITA ORDINE	CILINDRO AD AZOTO	KIT DI MANUTENZIONE	FLANGE	ADATTATORE DI CARICO
ESP PEDIDO	RESORTE DE GAS	KIT DE REPARACION	BRIDA	ADAPTADOR DE CARGA
POR PEDIDO	CILINDRO DE GAS	KIT DE MANUTENÇÃO	FLANGE	ADAPTADOR DE CARGA

# VAM 7500

Slowed Return

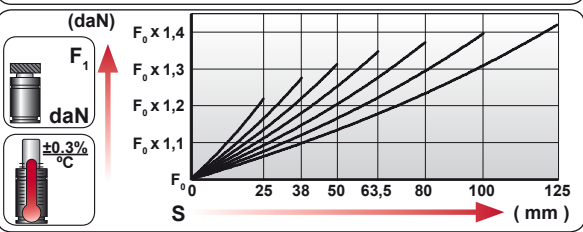


ORDER	S (mm)	L1 ±0,25 (mm)	L (mm)	Kg.
VAM 7500 025	25	210	185	35.08
VAM 7500 038	38	236	198	36.81
VAM 7500 050	50	260	210	38.41
VAM 7500 063	63.5	287	223.5	40.20
VAM 7500 080	80	320	240	42.40
VAM 7500 100	100	360	260	45.06
VAM 7500 125	125	410	285	48.38



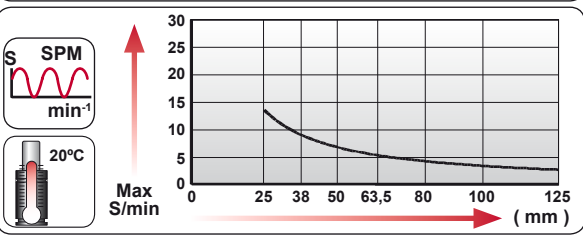
CODE	Pressure		F <sub>0</sub>	F <sub>1</sub>
	bar	psi	daN	daN
VAM 7500	105	1520	7440	9760

- Spring-back depending on used stroke.
- Return stroke at constant slowed speed.
- Prevent over-heating by limiting SPM.



ENG ORDER  
 DEU BESTELLUNG  
 FRA COMMANDE  
 ITA ORDINE  
 ESP PEDIDO  
 POR PEDIDO

**VAM 7500**    **50**  
**VAM 7500 050**



N<sub>2</sub>

S<sub>max</sub> < 90%

V<sub>max</sub> 0,5 m/s

P<sub>min</sub> (20°C)    P<sub>max</sub> (20°C)

T<sub>min</sub>    T<sub>max</sub>

600 CP-

N <sub>2</sub>	S <sub>max</sub> < 90%	V <sub>max</sub> 0,5 m/s	bar psi	bar psi	°C °F	°C °F	600 CP-
			20 290	105 1520	0 32	80 176	

**REQUIRED DATA**



• Do piston rod have to keep locked down? (yes / no)



• Desired force ( daN )



• Total stroke ( mm )



• Stroke used ( mm )



• Number of cycles per minute



• Desired slowed return ( eg. 1 second )

**MAXIMUM SLOWED RETURN**

VAM gas springs are designed to return stroke at a constant slowed speed. Maximum slowed return is defined to every model as per stroke used.

NOMINAL FORCE (daN)	CONSTANT (k)	MAXIMUM SLOWED RETURN (t <sub>max</sub> )
7440	0.289	t <sub>max</sub> = k x S <sub>U</sub>

**EXAMPLE:** VAM 7500 080 (7440 daN)

$$t_{max} = k \times S_U = 0.289 \times 80 = 23 \text{ seconds}$$

Stroke used (S<sub>U</sub>)



**MAXIMUM WORKING FREQUENCY**

The energy provided by the press to the gas spring to compress it in every press cycle is greater than the energy used by the gas spring to return to its extended position. The difference in energy (transmitted from press and used by gas spring) is transformed into heat inside the gas spring. Consequently, to avoid overheating in slowed return gas springs, heat generation must be limited (SPM strokes per minute).

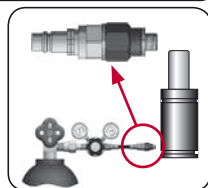
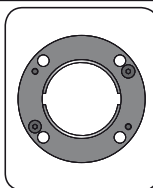
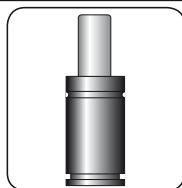
NOMINAL FORCE (daN)	MAXIMUM WORKING FREQUENCY (f <sub>max</sub> )
7440	f <sub>max</sub> = $\frac{3060000}{S_U \times F_U}$

**EXAMPLE:** VAM 7500 080 (7440 daN)

$$f_{max} = \frac{3060000}{S_U \times F_U} = \frac{3060000}{80 \times 7440} = 5 \text{ cycles/minute}$$

Stroke used (S<sub>U</sub>)

Force used (F<sub>U</sub>)



CODE	VAM 7500 050	KIT S-XXXXXXX KIT C-XXXXXXX	A14-195	18 CG 1-Q
ENG ORDER	GAS SPRING	REPAIR KIT	FLANGE	CHARGING ADAPTER
DEU BESTELLUNG	GASDRUCKFEDER	ERSATZTEILSATZ	FLANSCH	LADEADAPTER
FRA COMMANDE	RESSORT À GAZ	KIT DE RÉPARATION	BRIDE	RACCORD DE CHARGE
ITA ORDINE	CILINDRO AD AZOTO	KIT DI MANUTENZIONE	FLANGE	ADATTATORE DI CARICO
ESP PEDIDO	RESORTE DE GAS	KIT DE REPARACION	BRIDA	ADAPTADOR DE CARGA
POR PEDIDO	CILINDRO DE GÁS	KIT DE MANUTENÇÃO	FLANGE	ADAPTADOR DE CARGA

# VAM 7500 MOUNTS

Slowed Return



### A14-195

ISO EM24.54.700/F

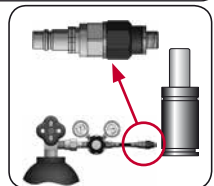
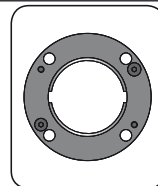
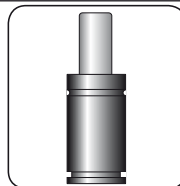
### A34-195

ISO VDI

### B21-195

### B76-195

ISO NORME



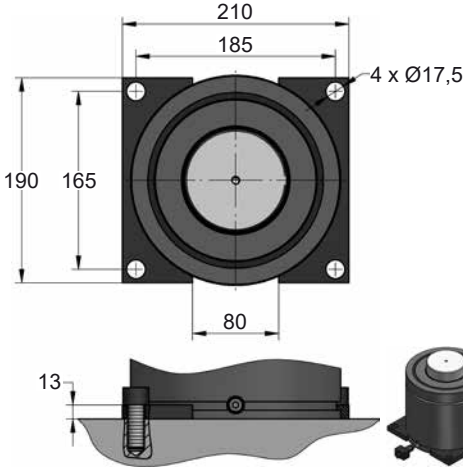
CODE	VAM 7500 050	KIT S-XXXXXXX KIT C-XXXXXXX	A14-195	18 CG 1-Q
ENG ORDER	GAS SPRING	REPAIR KIT	FLANGE	CHARGING ADAPTER
DEU BESTELLUNG	GASDRUCKFEDER	ERSATZTEILSATZ	FLANSCH	LADEADAPTER
FRA COMMANDE	RESSORT À GAZ	KIT DE RÉPARATION	BRIDE	RACCORD DE CHARGE
ITA ORDINE	CILINDRO AD AZOTO	KIT DI MANUTENZIONE	FLANGE	ADATTATORE DI CARICO
ESP PEDIDO	RESORTE DE GAS	KIT DE REPARACION	BRIDA	ADAPTADOR DE CARGA
POR PEDIDO	CILINDRO DE GAS	KIT DE MANUTENÇÃO	FLANGE	ADAPTADOR DE CARGA



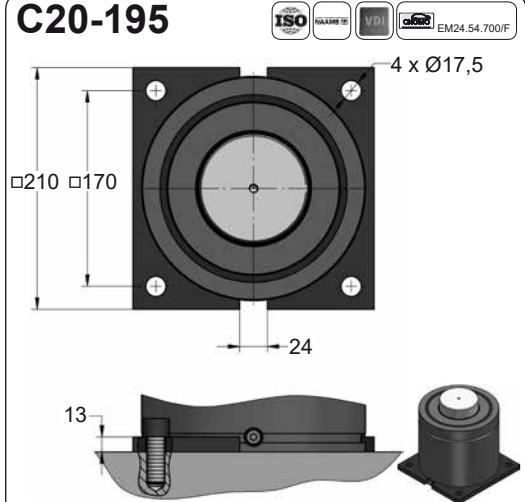
# VAM 7500 MOUNTS

Slowed Return

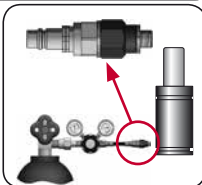
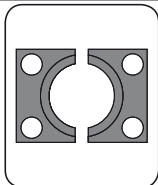
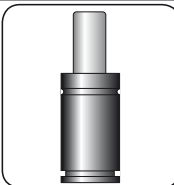
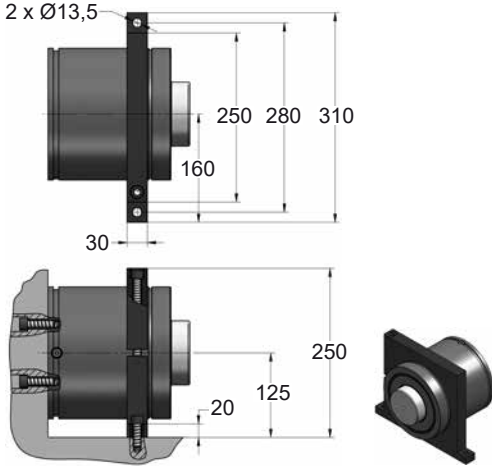
## C05-195



## C20-195



## D02-195



CODE	VAM 7500 050	KIT S-XXXXXXX KIT C-XXXXXXX	C05-195	18 CG 1-Q
ENG ORDER	GAS SPRING	REPAIR KIT	FLANGE	CHARGING ADAPTER
DEU BESTELLUNG	GASDRUCKFEDER	ERSATZTEILSATZ	FLANSCHEN	LADEADAPTER
FRA COMMANDE	RESSORT À GAZ	KIT DE RÉPARATION	BRIDE	RACCORD DE CHARGE
ITA ORDINE	CILINDRO AD AZOTO	KIT DI MANUTENZIONE	FLANGE	ADATTATORE DI CARICO
ESP PEDIDO	RESORTE DE GAS	KIT DE REPARACION	BRIDA	ADAPTADOR DE CARGA
POR PEDIDO	CILINDRO DE GÁS	KIT DE MANUTENÇÃO	FLANGE	ADAPTADOR DE CARGA

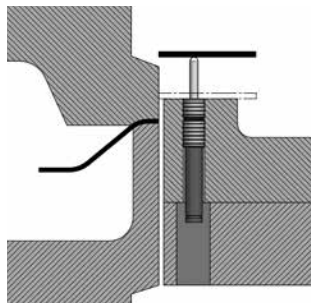






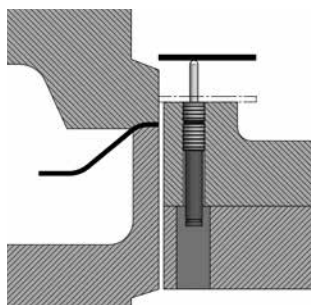
# GAS STRIPPERS / STOCK LIFTERS

**EF\_**



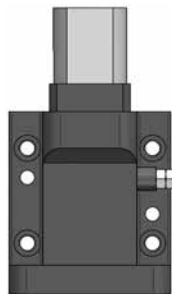
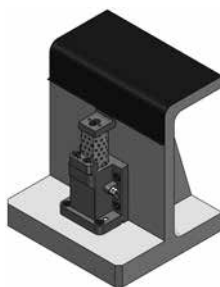
*GAS STRIPPERS*

**M\_**



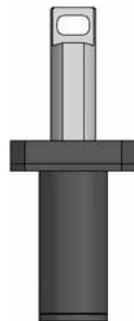
*SPRING PLUNGERS*

**EX\_**



*FLANGE STRIPPERS*

**EXD\_**

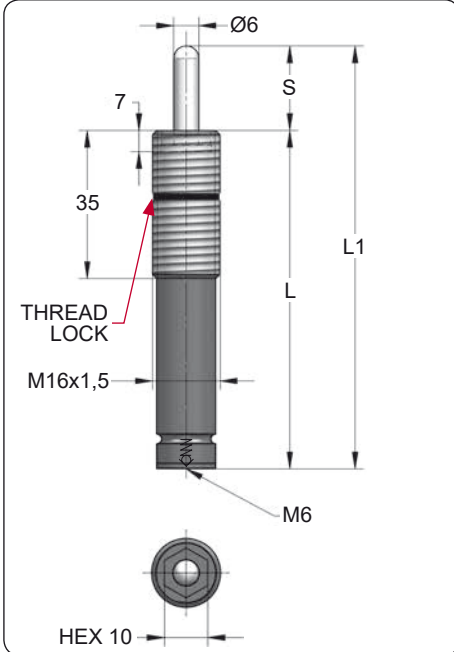


*STOCK LIFTERS*

# EFG 16

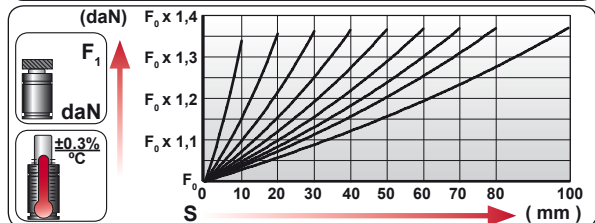
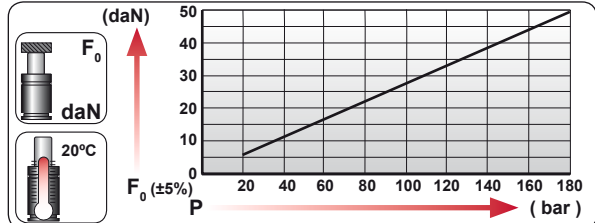
Gas Strippers

BMW B2 4036	FORD W-DX35-6030	
MB B8 0820 100 000 002	GM 90.25	
VW 39D 549		



CODE	S (mm)	L1 ±0,25 (mm)	L (mm)	Kg.
EFG 16 ... 010	10	80	70	0.08
EFG 16 ... 020	20	100	80	0.09
EFG 16 ... 030	30	120	90	0.09
EFG 16 ... 040	40	140	100	0.10
EFG 16 ... 050	50	160	110	0.11
EFG 16 ... 060	60	180	120	0.11
EFG 16 ... 070	70	200	130	0.12
EFG 16 ... 080	80	220	140	0.12
EFG 16 ... 100	100	260	160	0.14

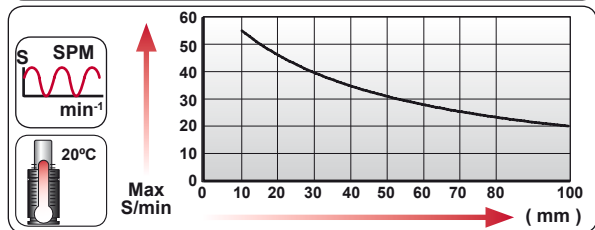
CODE	COLOR	Pressure		Force	
		bar	psi	daN	daN
EFG 16 6 050	Green	20	290	6	8
EFG 16 11 050	Blue	40	580	11	15
EFG 16 21 050	Red	75	1090	21	30
EFG 16 42 050	Yellow	150	2175	42	55
EFG 16 XX 050	Black	20-180	290-2610	6 - 50	8 - 70



	ENG ORDER		daN		mm
	DEU BESTELLUNG				
	FRA COMMANDE				
	ITA ORDINE				
	ESP PEDIDO				
POR PEDIDO					

**EFG 16 50 50**

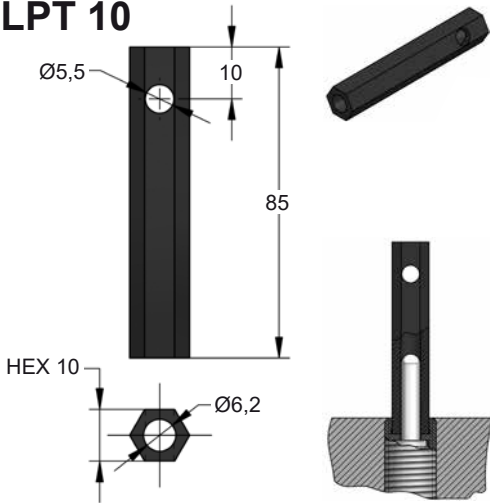
**EFG 16 50 050**



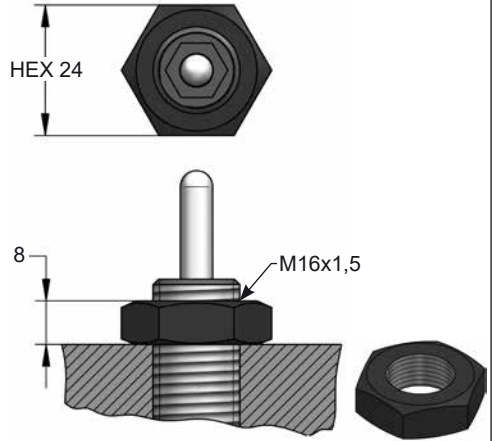
$N_2$	$S_{max} < 90\%$	$V_{max} 1,6 \text{ m/s}$	$P_{min} (20^\circ C)$	$P_{max} (20^\circ C)$	$T_{min}$	$T_{max}$	

$N_2$	$S_{max} < 90\%$	$V_{max} 1,6 \text{ m/s}$	bar psi	bar psi	°C °F	°C °F	°C °F	
			20 290	180 2610	0 32	80 176		

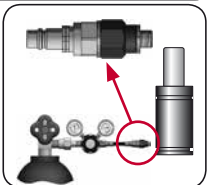
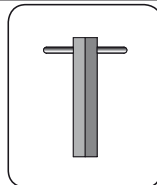
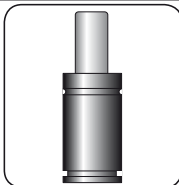
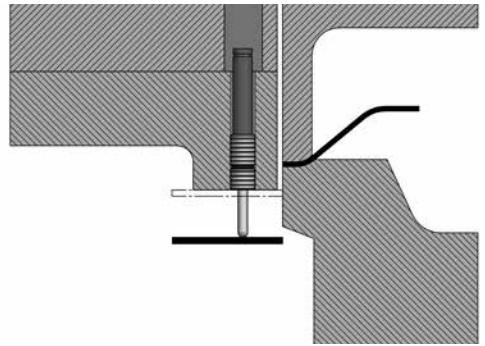
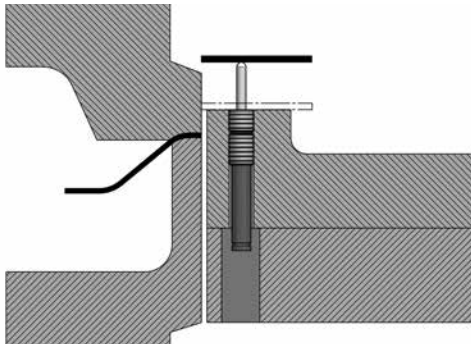
**LPT 10**



**E23-016**



**MOUNTING EXAMPLE**

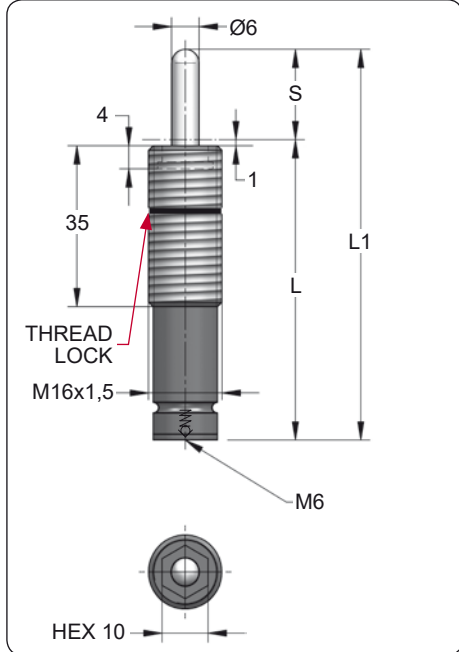


CODE	EFG 16 50 050	<b>X</b>	LPT 10	06 CG 2-Q
ENG ORDER	GAS SPRING	REPAIR KIT	KEY	CHARGING ADAPTER
DEU BESTELLUNG	GASDRUCKFEDER	ERSATZTEILSATZ	MONTAGESCHLÜSSEL	LADEADAPTER
FRA COMMANDE	RESSORT À GAZ	KIT DE RÉPARATION	CLE	RACCORD DE CHARGE
ITA ORDINE	CILINDRO AD AZOTO	KIT DI MANUTENZIONE	CHIAVE	ADATTATORE DI CARICO
ESP PEDIDO	RESORTE DE GAS	KIT DE REPARACION	LLAVE	ADAPTADOR DE CARGA
POR PEDIDO	CILINDRO DE GAS	KIT DE MANUTENÇÃO	CHAVE	ADAPTADOR DE CARGA

# EFGC 16

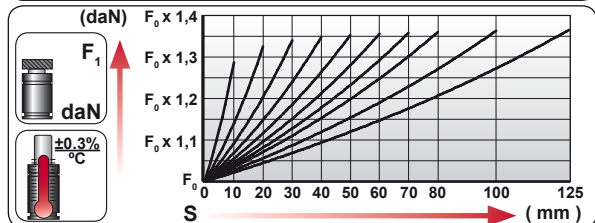
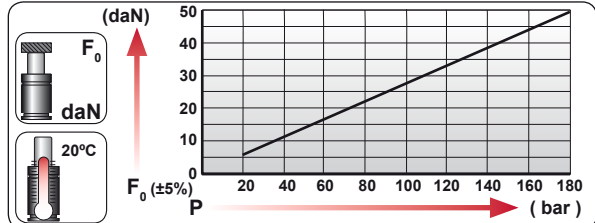
Gas Strippers

		RENAULT EM24.54.300



CODE	S (mm)	L1 ±0,25 (mm)	L (mm)	Kg.
EFGC 16 ... 010	10	65	55	0.06
EFGC 16 ... 020	20	85	65	0.07
EFGC 16 ... 030	30	105	75	0.07
EFGC 16 ... 040	40	125	85	0.08
EFGC 16 ... 050	50	145	95	0.09
EFGC 16 ... 060	60	165	105	0.09
EFGC 16 ... 070	70	185	115	0.10
EFGC 16 ... 080	80	205	125	0.10
EFGC 16 ... 100	100	245	145	0.12
EFGC 16 ... 125	125	295	170	0.13

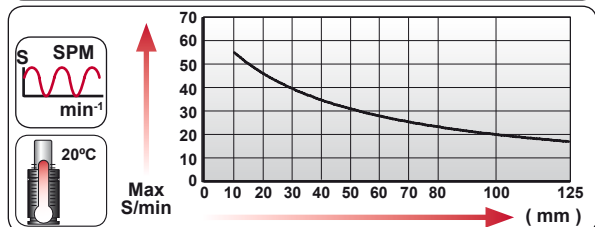
CODE	COLOR	Pressure		Force	
		bar	psi	daN	daN
EFGC 16 6 050	Green	20	290	6	8
EFGC 16 11 050	Blue	40	580	11	15
EFGC 16 21 050	Red	75	1090	21	30
EFGC 16 42 050	Yellow	150	2175	42	55
EFGC 16 XX 050	Black	20-180	290-2610	6 - 50	8 - 70



**ENG ORDER**  
**DEU BESTELLUNG**  
**FRA COMMANDE**  
**ITA ORDINE**  
**ESP PEDIDO**  
**POR PEDIDO**

**F<sub>0</sub>** daN  
**S** mm

**EFGC 16 50 50**  
**EFGC 16 50 050**



**N<sub>2</sub>**

**S<sub>max</sub> < 90%**

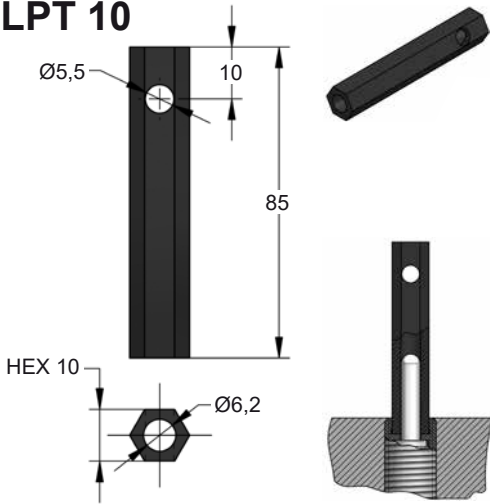
**V<sub>max</sub> 1,6 m/s**

**P<sub>min</sub> (20°C)**  
**P<sub>max</sub> (20°C)**

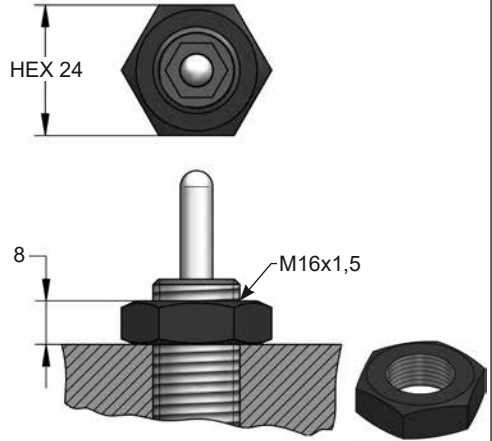
**T<sub>min</sub>**  
**T<sub>max</sub>**

<b>N<sub>2</sub></b>	<b>S<sub>max</sub> &lt; 90%</b>	<b>V<sub>max</sub> 1,6 m/s</b>	bar psi	bar psi	°C °F	°C °F	<b>X</b>
			20 290	180 2610	0 32	80 176	

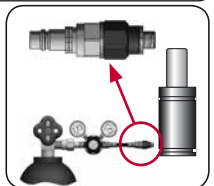
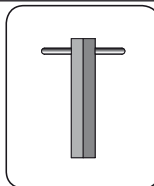
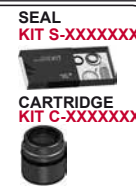
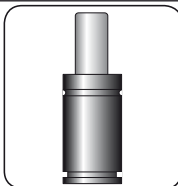
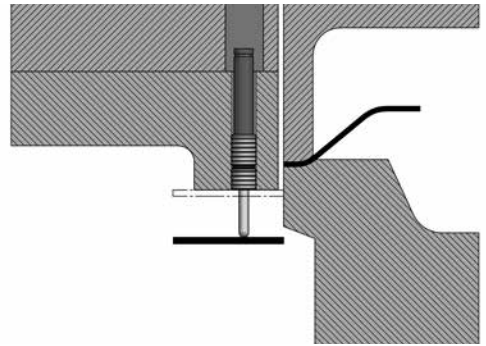
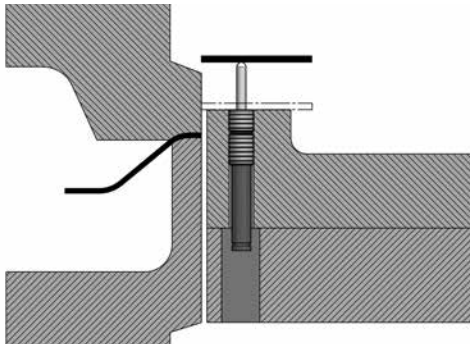
**LPT 10**



**E23-016**



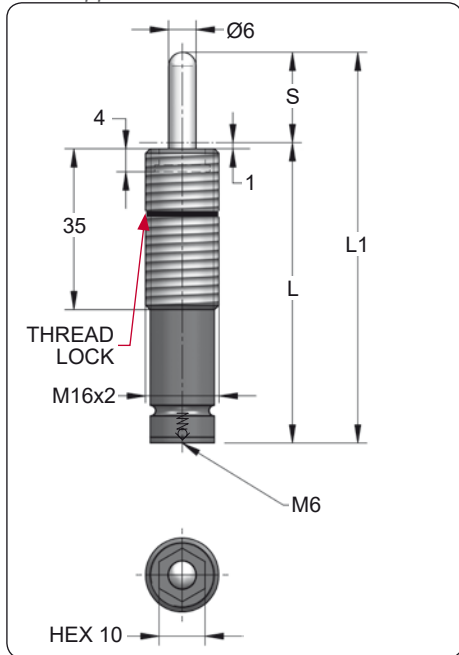
**MOUNTING EXAMPLE**



CODE	EFGC 16 50 050	<b>X</b>	LPT 10	06 CG 2-Q
ENG	ORDER	REPAIR KIT	KEY	CHARGING ADAPTER
DEU	BESTELLUNG	ERSATZTEILSATZ	MONTAGESCHLÜSSEL	LADEADAPTER
FRA	COMMANDE	KIT DE RÉPARATION	CLE	RACCORD DE CHARGE
ITA	ORDINE	KIT DI MANUTENZIONE	CHIAVE	ADATTATORE DI CARICO
ESP	PEDIDO	KIT DE REPARACION	LLAVE	ADAPTADOR DE CARGA
POR	PEDIDO	KIT DE MANUTENÇÃO	CHAVE	ADAPTADOR DE CARGA

# EFGD 16

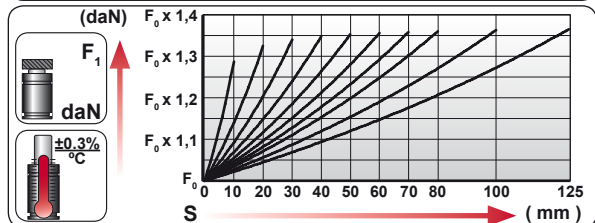
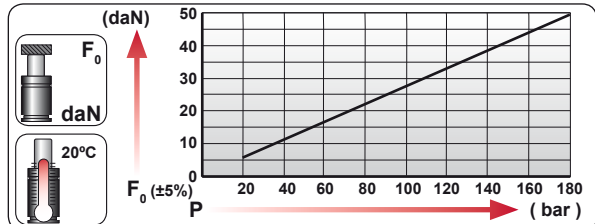
Gas Strippers



CODE	S (mm)	L1 ±0,25 (mm)	L (mm)	Kg.
EFGD 16 ... 010	10	65	55	0.06
EFGD 16 ... 020	20	85	65	0.07
EFGD 16 ... 030	30	105	75	0.07
EFGD 16 ... 040	40	125	85	0.08
EFGD 16 ... 050	50	145	95	0.09
EFGD 16 ... 060	60	165	105	0.09
EFGD 16 ... 070	70	185	115	0.10
EFGD 16 ... 080	80	205	125	0.10
EFGD 16 ... 100	100	245	145	0.12
EFGD 16 ... 125	125	295	170	0.13



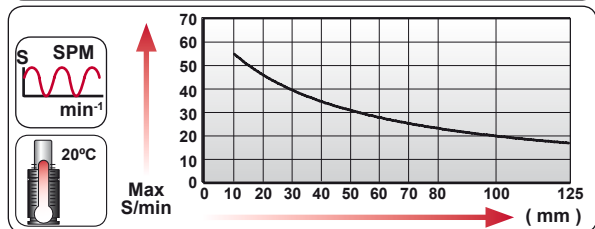
CODE	COLOR	Pressure		Force	
		bar	psi	daN	daN
EFGD 16 6 050	Green	20	290	6	8
EFGD 16 11 050	Blue	40	580	11	15
EFGD 16 21 050	Red	75	1090	21	30
EFGD 16 42 050	Yellow	150	2175	42	55
EFGD 16 XX 050	Black	20-180	290-2610	6 - 50	8 - 70



	ENG ORDER		
	DEU BESTELLUNG		
	FRA COMMANDE		
	ITA ORDINE		
	ESP PEDIDO		
POR PEDIDO			

**EFGD 16 50 50**

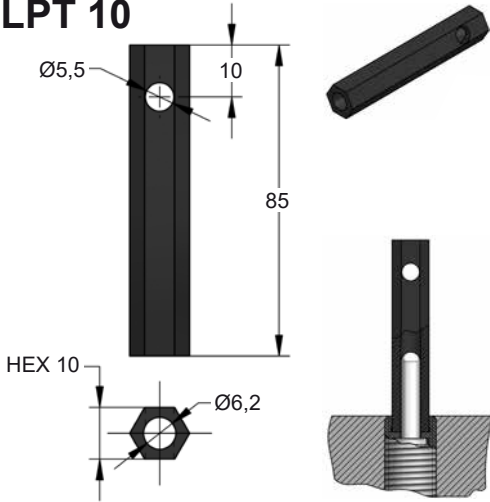
**EFGD 16 50 050**



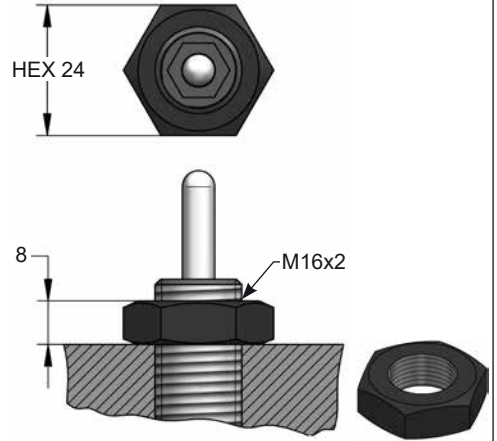
--	--	--	--	--	--	--	--

N <sub>2</sub>	S <sub>max</sub> < 90%	V <sub>max</sub> 1,6 m/s	bar psi	bar psi	°C °F	°C °F	°C °F	
			20 290	180 2610	0 32	80 176		

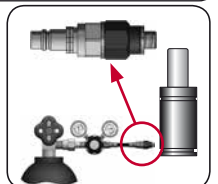
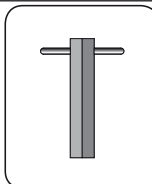
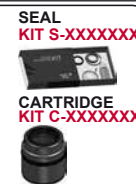
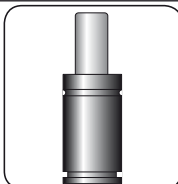
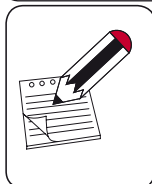
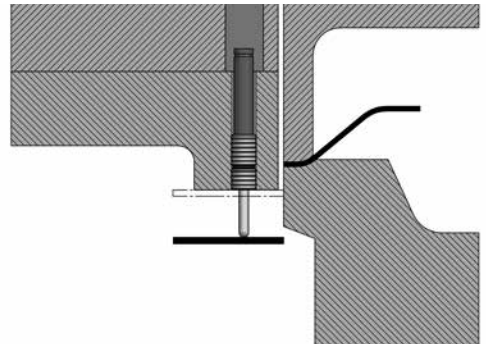
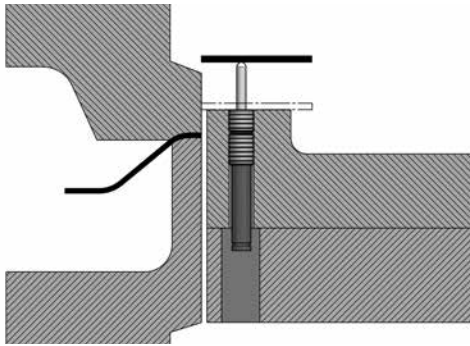
**LPT 10**



**E63-016**



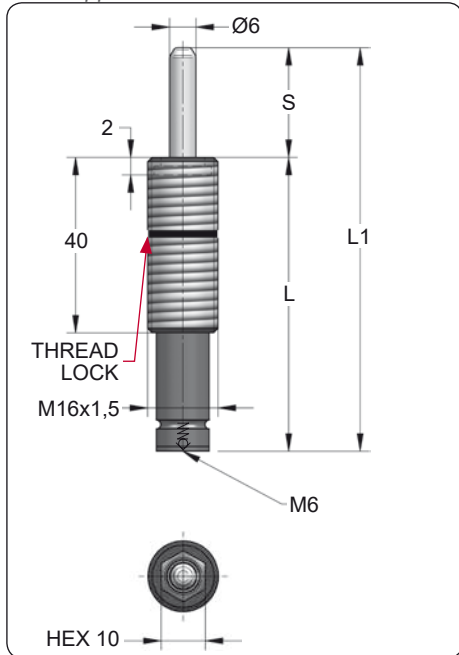
**MOUNTING EXAMPLE**



CODE	EFGD 16 50 050	<b>X</b>	LPT 10	06 CG 2-Q
ENG ORDER	GAS SPRING	REPAIR KIT	KEY	CHARGING ADAPTER
DEU BESTELLUNG	GASDRUCKFEDER	ERSATZTEILSATZ	MONTAGESCHLÜSSEL	LADEADAPTER
FRA COMMANDE	RESSORT À GAZ	KIT DE RÉPARATION	CLE	RACCORD DE CHARGE
ITA ORDINE	CILINDRO AD AZOTO	KIT DI MANUTENZIONE	CHIAVE	ADATTATORE DI CARICO
ESP PEDIDO	RESORTE DE GAS	KIT DE REPARACION	LLAVE	ADAPTADOR DE CARGA
POR PEDIDO	CILINDRO DE GAS	KIT DE MANUTENÇÃO	CHAVE	ADAPTADOR DE CARGA

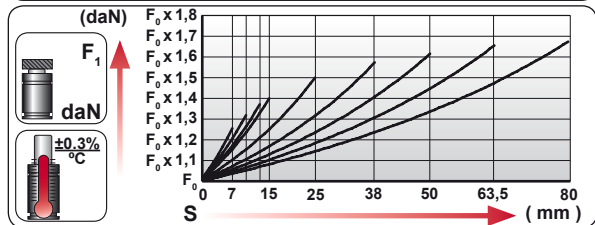
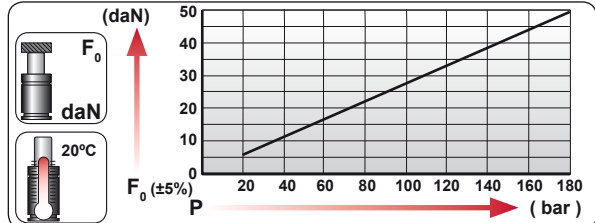
# EFGL 16

Gas Strippers



CODE	S (mm)	L1 ±0,25 (mm)	L (mm)	Kg.
EFGL 16 ... 007	7	56	49	0.06
EFGL 16 ... 010	10	62	52	0.06
EFGL 16 ... 012	12.7	67.4	54.7	0.06
EFGL 16 ... 015	15	72	57	0.07
EFGL 16 ... 025	25	92	67	0.07
EFGL 16 ... 038	38	118	80	0.08
EFGL 16 ... 050	50	142	92	0.09
EFGL 16 ... 063	63.5	172	108.5	0.09
EFGL 16 ... 080	80	205	125	0.10

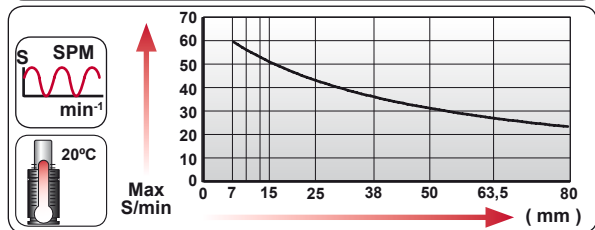
CODE	COLOR	Pressure		Force	
		bar	psi	daN	daN
EFGL 16 13 050	Green	45	650	13	20
EFGL 16 25 050	Blue	90	1305	25	40
EFGL 16 38 050	Red	135	1960	38	60
EFGL 16 50 050	Yellow	180	2610	50	80
EFGL 16 XX 050	Black	20-180	290-2610	6 - 50	8 - 80



	ENG ORDER		
	DEU BESTELLUNG		
	FRA COMMANDE		
	ITA ORDINE		
	ESP PEDIDO		
POR PEDIDO			

**EFGL 16 50 50**

**EFGL 16 50 050**

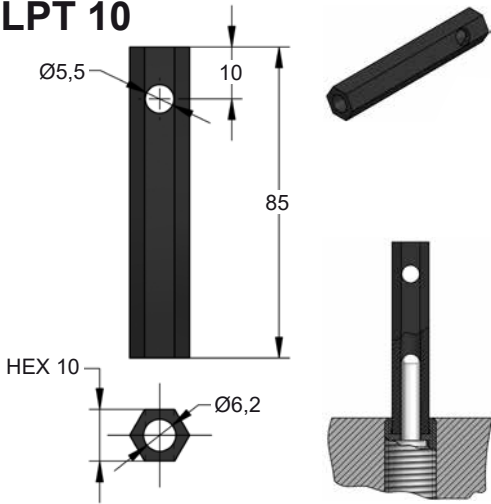


--	--	--	--	--	--	--	--

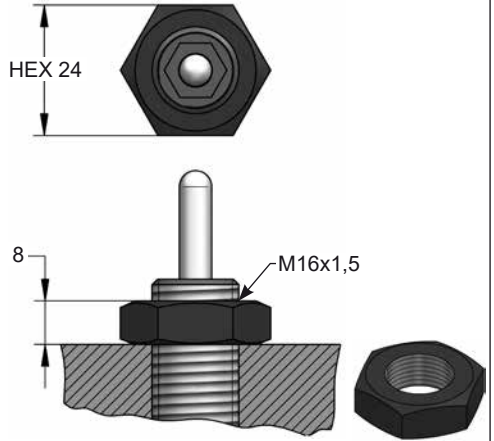
N <sub>2</sub>	S <sub>max</sub> < 90%	V <sub>max</sub> 1,6 m/s	bar psi	bar psi	°C °F	°C °F	°C °F	
			20 290	180 2610	0 32	80 176		



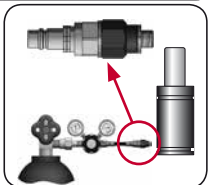
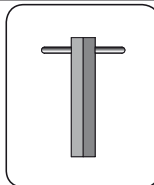
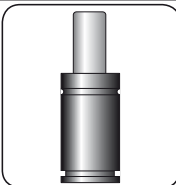
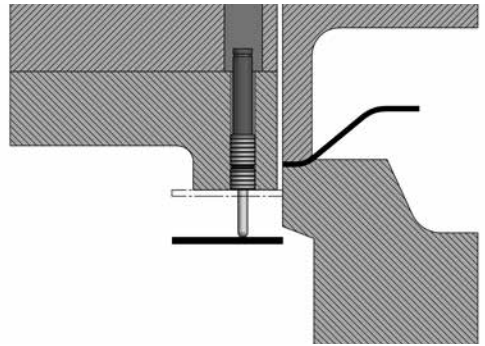
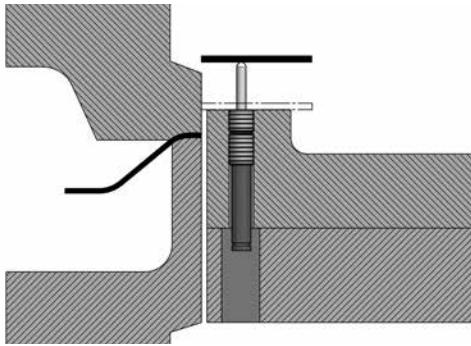
**LPT 10**



**E23-016**



**MOUNTING EXAMPLE**

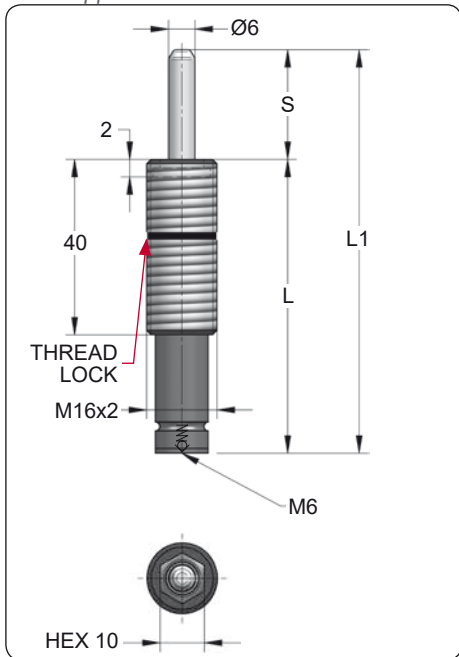


CODE	EFGL 16 50 050	<b>X</b>	LPT 10	06 CG 2-Q
ENG	ORDER	REPAIR KIT	KEY	CHARGING ADAPTER
DEU	BESTELLUNG	ERSATZTEILSATZ	MONTAGESCHLÜSSEL	LADEADAPTER
FRA	COMMANDE	KIT DE RÉPARATION	CLE	RACCORD DE CHARGE
ITA	ORDINE	KIT DI MANUTENZIONE	CHIAVE	ADATTATORE DI CARICO
ESP	PEDIDO	KIT DE REPARACION	LLAVE	ADAPTADOR DE CARGA
POR	PEDIDO	KIT DE MANUTENÇÃO	CHAVE	ADAPTADOR DE CARGA

# EFGQ 16

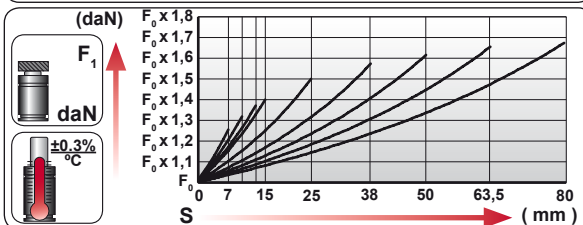
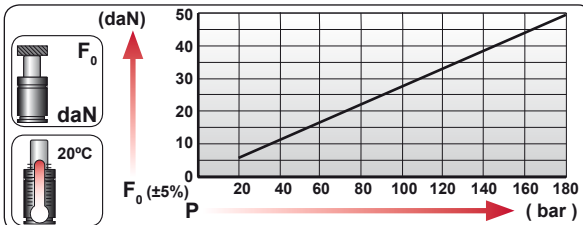
Gas Strippers

FORD W-DX35-8031	



CODE	S (mm)	L1 ±0,25 (mm)	L (mm)	Kg.
EFGQ 16 ... 007	7	56	49	0.06
EFGQ 16 ... 010	10	62	52	0.06
EFGQ 16 ... 012	12.7	67.4	54.7	0.06
EFGQ 16 ... 015	15	72	57	0.07
EFGQ 16 ... 025	25	92	67	0.07
EFGQ 16 ... 038	38	118	80	0.08
EFGQ 16 ... 050	50	142	92	0.09
EFGQ 16 ... 063	63.5	172	108.5	0.09
EFGQ 16 ... 080	80	205	125	0.10

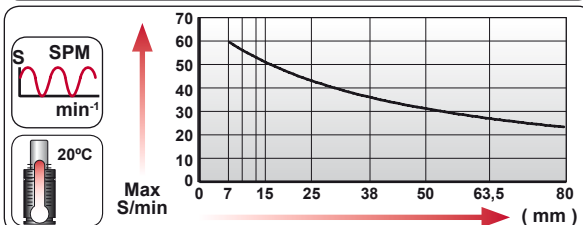
CODE	COLOR	Pressure		Force	
		bar	psi	daN	daN
EFGQ 16 13 050	Green	45	650	13	20
EFGQ 16 25 050	Blue	90	1305	25	40
EFGQ 16 38 050	Red	135	1960	38	60
EFGQ 16 50 050	Yellow	180	2610	50	80
EFGQ 16 XX 050	Black	20-180	290-2610	6 - 50	8 - 80



	ENG ORDER		
	DEU BESTELLUNG		
	FRA COMMANDE		
	ITA ORDINE		
	ESP PEDIDO		
POR PEDIDO			

**EFGQ 16 50 50**

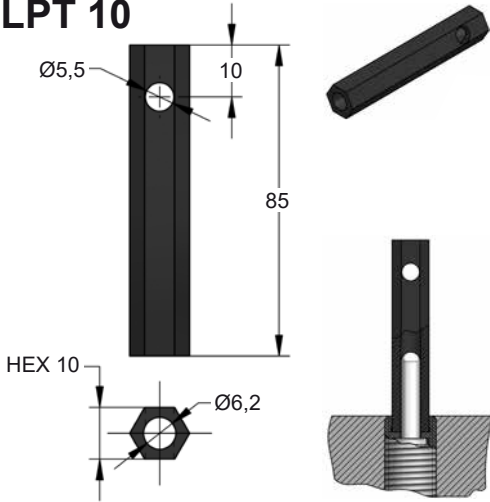
**EFGQ 16 50 050**



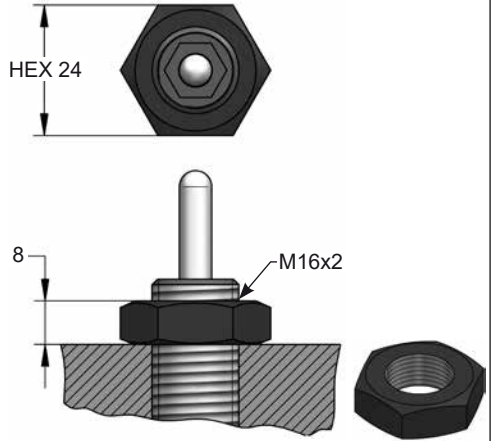
--	--	--	--	--	--	--	--

N <sub>2</sub>	S <sub>max</sub> < 90%	V <sub>max</sub> 1,6 m/s	bar psi	bar psi	°C °F	°C °F	°C °F	
			20 290	180 2610	0 32	80 176		

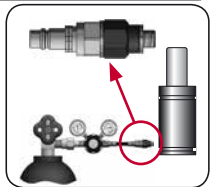
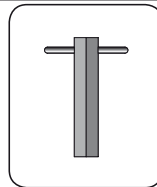
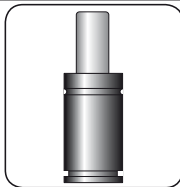
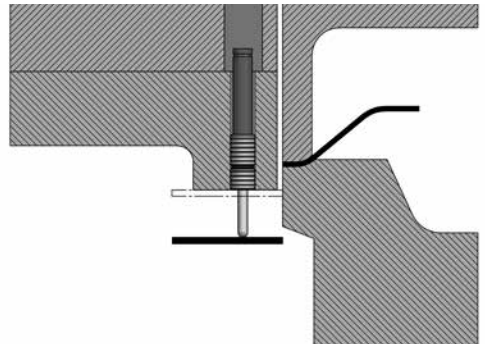
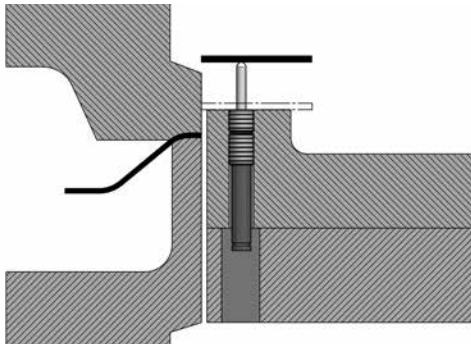
**LPT 10**



**E63-016**



**MOUNTING EXAMPLE**

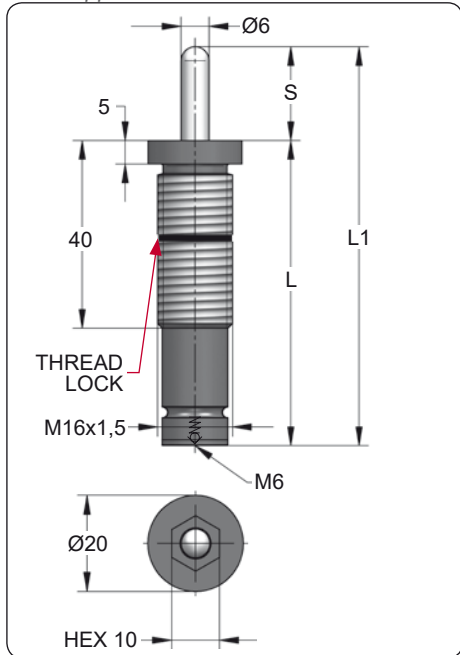


CODE	EFGQ 16 50 050	<b>X</b>	LPT 10	06 CG 2-Q
ENG	ORDER	REPAIR KIT	KEY	CHARGING ADAPTER
DEU	BESTELLUNG	ERSATZTEILSATZ	MONTAGESCHLÜSSEL	LADEADAPTER
FRA	COMMANDE	KIT DE RÉPARATION	CLE	RACCORD DE CHARGE
ITA	ORDINE	KIT DI MANUTENZIONE	CHIAVE	ADATTATORE DI CARICO
ESP	PEDIDO	KIT DE REPARACION	LLAVE	ADAPTADOR DE CARGA
POR	PEDIDO	KIT DE MANUTENÇÃO	CHAVE	ADAPTADOR DE CARGA

# EFT 16

Gas Strippers

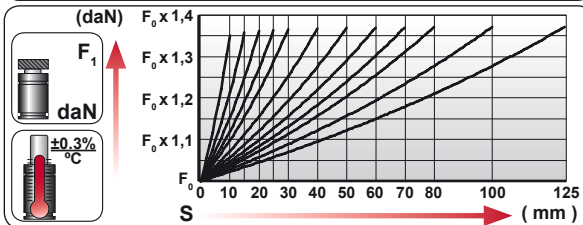
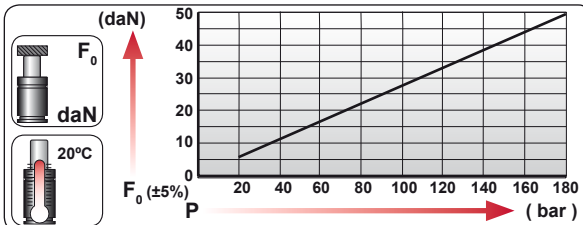
	GM	90.80



CODE	S (mm)	L1 ±0,25 (mm)	L (mm)	Kg.
EFT 16 ... 010	10	65	55	0.07
EFT 16 ... 015	15	75	60	0.07
EFT 16 ... 020	20	85	65	0.08
EFT 16 ... 025	25	95	70	0.08
EFT 16 ... 030	30	105	75	0.08
EFT 16 ... 040	40	125	85	0.09
EFT 16 ... 050	50	145	95	0.09
EFT 16 ... 060	60	165	105	0.10
EFT 16 ... 070	70	185	115	0.11
EFT 16 ... 080	80	205	125	0.11
EFT 16 ... 100	100	245	145	0.13
EFT 16 ... 125	125	295	170	0.14



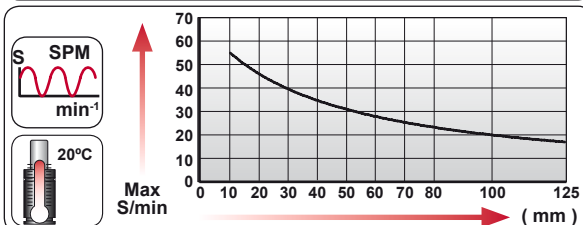
CODE	COLOR	Pressure		Force	
		bar	psi	daN	daN
EFT 16 6 050	Green	20	290	6	8
EFT 16 11 050	Blue	40	580	11	15
EFT 16 21 050	Red	75	1090	21	30
EFT 16 42 050	Yellow	150	2175	42	55
EFT 16 XX 050	Black	20-180	290-2610	6 - 50	8 - 70



	ENG ORDER		
	DEU BESTELLUNG		
	FRA COMMANDE		
	ITA ORDINE		
	ESP PEDIDO		
POR PEDIDO			

**EFT 16 50 50**

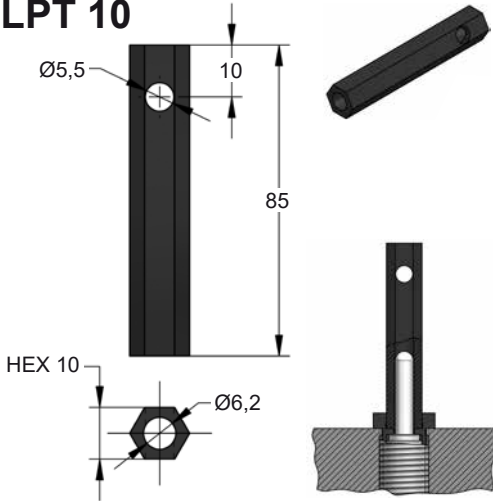
**EFT 16 50 050**



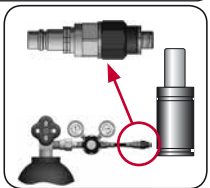
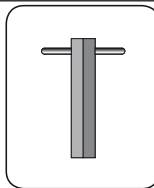
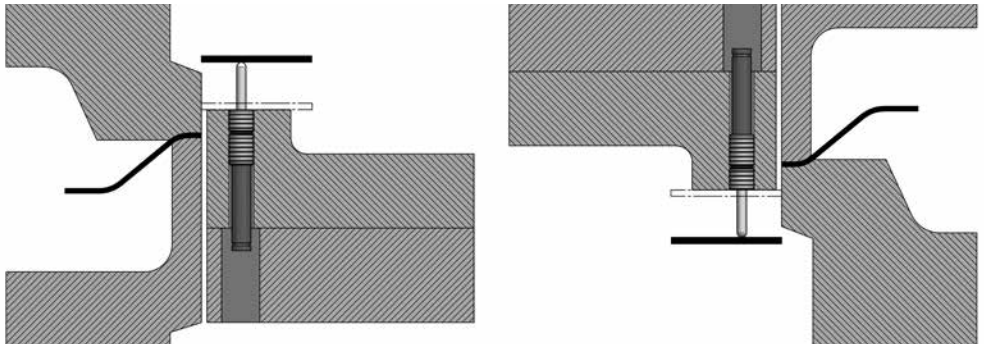
--	--	--	--	--	--

N <sub>2</sub>	Smax < 90%	Vmax 1,6 m/s	bar psi	bar psi	°C °F	°C °F	°C °F	
			20 290	180 2610	0 32	80 176		

**LPT 10**



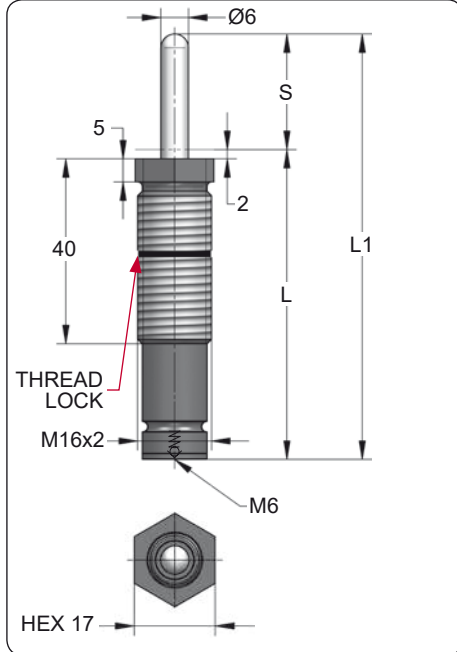
**MOUNTING EXAMPLE**



CODE	EFT 16 50 050	<b>X</b>	LPT 10	06 CG 2-Q
ENG	ORDER		KEY	CHARGING ADAPTER
DEU	BESTELLUNG		MONTAGESCHLÜSSEL	LADEADAPTER
FRA	COMMANDE		CLE	RACCORD DE CHARGE
ITA	ORDINE		CHIAVE	ADATTATORE DI CARICO
ESP	PEDIDO		LLAVE	ADAPTADOR DE CARGA
POR	PEDIDO		CHAVE	ADAPTADOR DE CARGA

# EFV 16

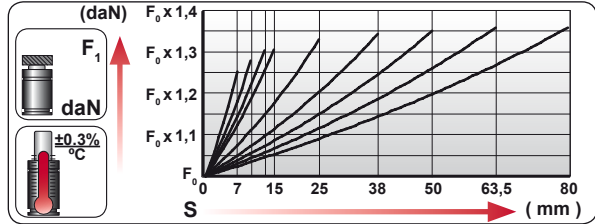
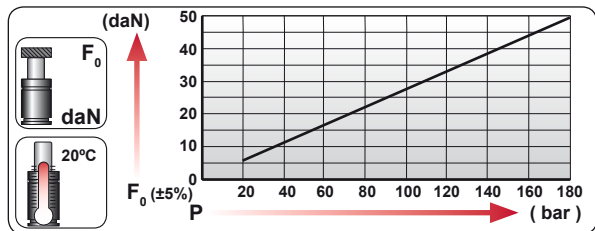
Gas Strippers



CODE	S (mm)	L1 ±0,25 (mm)	L (mm)	Kg.
EFV 16 ... 007	7	56	49	0.06
EFV 16 ... 010	10	62	52	0.06
EFV 16 ... 012	12.7	67.4	54.7	0.06
EFV 16 ... 015	15	72	57	0.07
EFV 16 ... 025	25	92	67	0.07
EFV 16 ... 038	38	118	80	0.08
EFV 16 ... 050	50	142	92	0.09
EFV 16 ... 063	63.5	172	108.5	0.10
EFV 16 ... 080	80	205	125	0.11



CODE	COLOR	Pressure		Force	
		bar	psi	daN	daN
EFV 16 13 050	Green	45	650	13	20
EFV 16 25 050	Blue	90	1305	25	40
EFV 16 38 050	Red	135	1960	38	60
EFV 16 50 050	Yellow	180	2610	50	80
EFV 16 XX 050	Black	20-180	290-2610	6 - 50	8 - 80

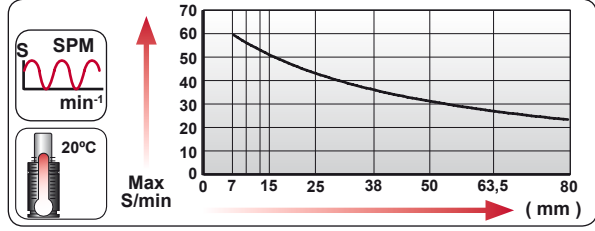


**ENG ORDER**  
**DEU BESTELLUNG**  
**FRA COMMANDE**  
**ITA ORDINE**  
**ESP PEDIDO**  
**POR PEDIDO**

**F<sub>0</sub>** daN  
**S** mm

**EFV 16 50 50**

**EFV 16 50 050**



**N<sub>2</sub>**

**S<sub>max</sub> < 90%**

**V<sub>max</sub> 1,6 m/s**

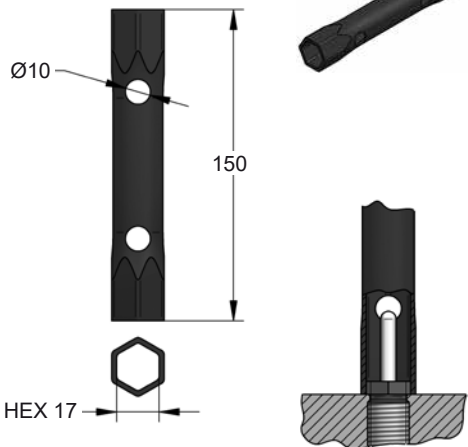
**P<sub>min</sub> (20°C)**   **P<sub>max</sub> (20°C)**

**T<sub>min</sub>**   **T<sub>max</sub>**

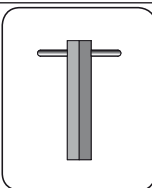
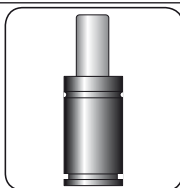
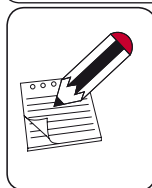
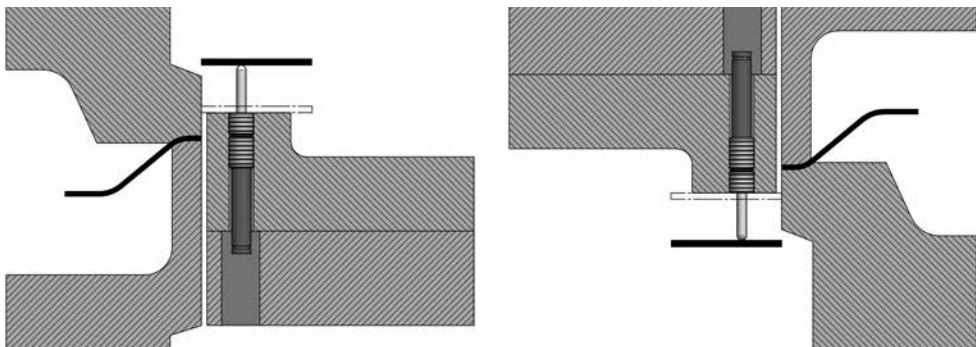
bar	psi	bar	psi	°C	°F	°C	°F
20	290	180	2610	0	32	80	176



**LPV 16-17**



**MOUNTING EXAMPLE**

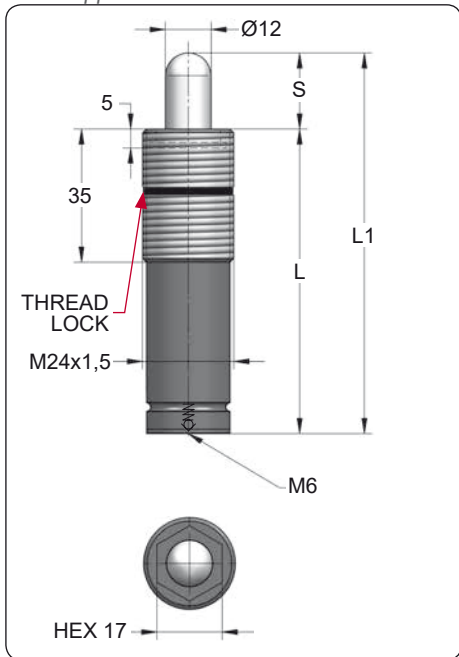


CODE	EFV 16 50 050	<b>X</b>	LPV 16-17	06 CG 2-Q
ENG	ORDER		KEY	CHARGING ADAPTER
DEU	BESTELLUNG		MONTAGESCHLÜSSEL	LADEADAPTER
FRA	COMMANDE		CLE	RACCORD DE CHARGE
ITA	ORDINE		CHIAVE	ADATTATORE DI CARICO
ESP	PEDIDO		LLAVE	ADAPTADOR DE CARGA
POR	PEDIDO		CHAVE	ADAPTADOR DE CARGA

# EFG 24

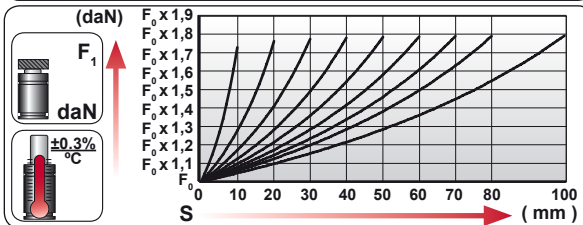
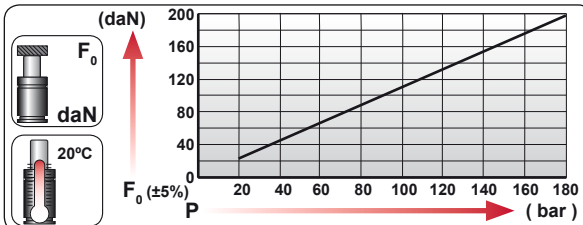
Gas Strippers

	FORD W-DX35-6030	
MB B8 0820 100 000 002	GM 90.25	
VW 39D 549		



CODE	S (mm)	L1 ±0,25 (mm)	L (mm)	Kg.
EFG 24 ... 010	10	80	70	0.19
EFG 24 ... 020	20	100	80	0.21
EFG 24 ... 030	30	120	90	0.23
EFG 24 ... 040	40	140	100	0.25
EFG 24 ... 050	50	160	110	0.27
EFG 24 ... 060	60	180	120	0.29
EFG 24 ... 070	70	200	130	0.31
EFG 24 ... 080	80	220	140	0.32
EFG 24 ... 100	100	260	160	0.36

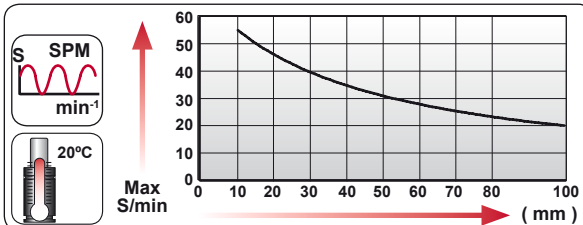
CODE	COLOR	Pressure		Force	
		bar	psi	F <sub>0</sub> daN	F <sub>1</sub> daN
EFG 24 23 050	Green	20	290	23	40
EFG 24 45 050	Blue	40	580	45	80
EFG 24 85 050	Red	75	1090	85	150
EFG 24 170 050	Yellow	150	2175	170	300
EFG 24 XXX 050	Black	20-180	290-2610	23 - 200	40 - 355



	ENG ORDER		
	DEU BESTELLUNG	daN	mm
	FRA COMMANDE		
	ITA ORDINE		
	ESP PEDIDO		
POR PEDIDO			

**EFG 24 200 50**

**EFG 24 200 050**

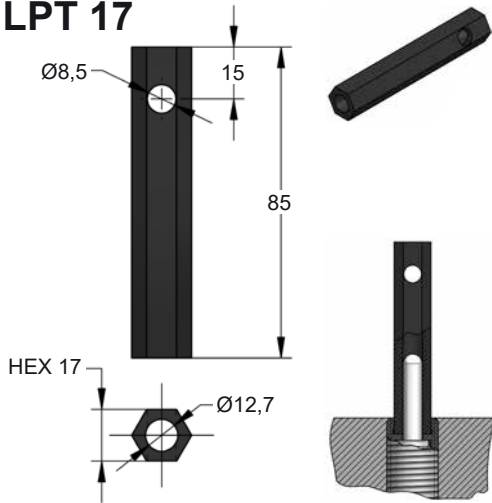


N <sub>2</sub>	S <sub>max</sub> < 90%	V <sub>max</sub> 1,6 m/s	P <sub>min</sub> (20°C)	P <sub>max</sub> (20°C)	T <sub>min</sub>	T <sub>max</sub>	

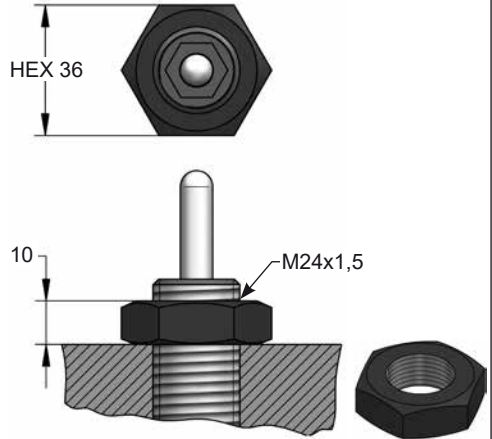
bar	psi	bar	psi	°C	°F	°C	°F	<b>X</b>
20	290	180	2610	0	32	80	176	



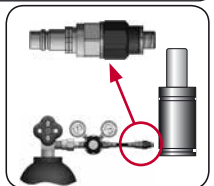
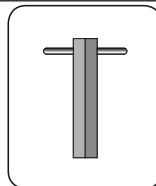
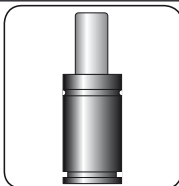
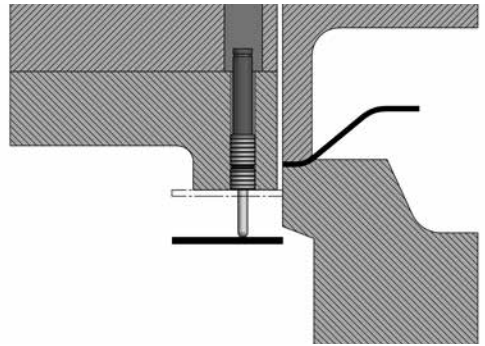
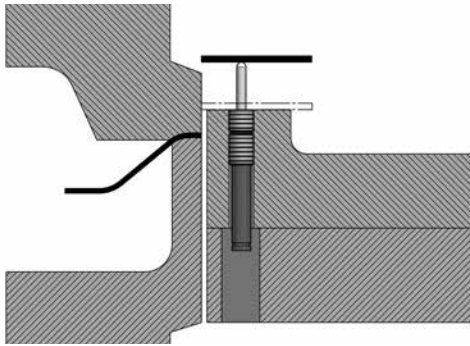
**LPT 17**



**E23-024**



**MOUNTING EXAMPLE**

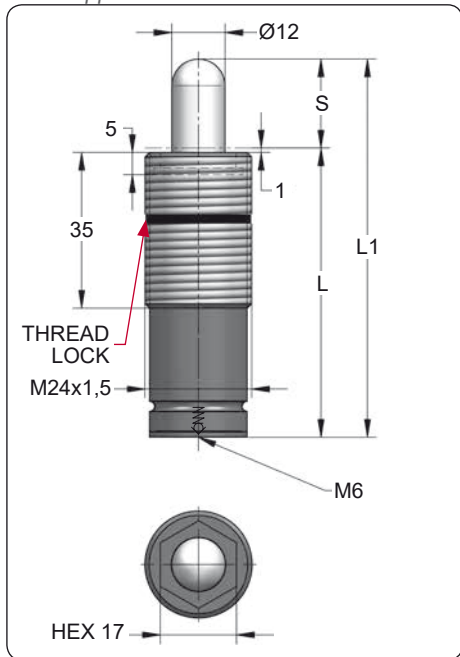


CODE	EFG 24 200 050	<b>X</b>	LPT 17	06 CG 2-Q
ENG	ORDER	REPAIR KIT	KEY	CHARGING ADAPTER
DEU	BESTELLUNG	ERSATZTEILSATZ	MONTAGESCHLÜSSEL	LADEADAPTER
FRA	COMMANDE	KIT DE RÉPARATION	CLE	RACCORD DE CHARGE
ITA	ORDINE	KIT DI MANUTENZIONE	CHIAVE	ADATTATORE DI CARICO
ESP	PEDIDO	KIT DE REPARACION	LLAVE	ADAPTADOR DE CARGA
POR	PEDIDO	KIT DE MANUTENÇÃO	CHAVE	ADAPTADOR DE CARGA

# EFGC 24

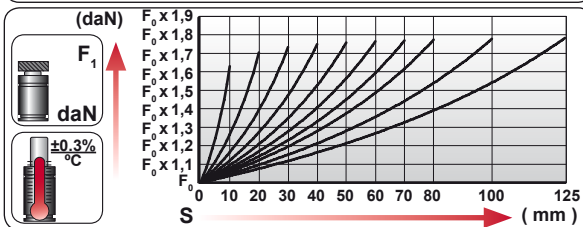
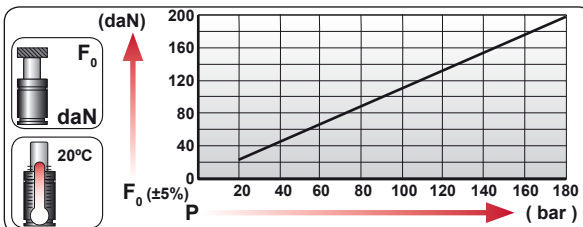
Gas Strippers



CODE	S (mm)	L1 ±0,25 (mm)	L (mm)	Kg.
EFGC 24 ... 010	10	65	55	0.15
EFGC 24 ... 020	20	85	65	0.17
EFGC 24 ... 030	30	105	75	0.18
EFGC 24 ... 040	40	125	85	0.20
EFGC 24 ... 050	50	145	95	0.22
EFGC 24 ... 060	60	165	105	0.24
EFGC 24 ... 070	70	185	115	0.26
EFGC 24 ... 080	80	205	125	0.28
EFGC 24 ... 100	100	245	145	0.32
EFGC 24 ... 125	125	295	170	0.36

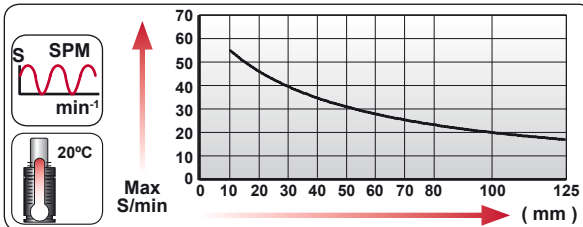
CODE	COLOR	Pressure		Force	
		bar	psi	daN	daN
EFGC 24 23 050	Green	20	290	23	40
EFGC 24 45 050	Blue	40	580	45	80
EFGC 24 85 050	Red	75	1090	85	150
EFGC 24 170 050	Yellow	150	2175	170	300
EFGC 24 XXX 050	Black	20-180	290-2610	23 - 200	40 - 350



	ENG ORDER		
	DEU BESTELLUNG		
	FRA COMMANDE		
	ITA ORDINE		
	ESP PEDIDO		
POR PEDIDO			

**EFGC 24 200 50**

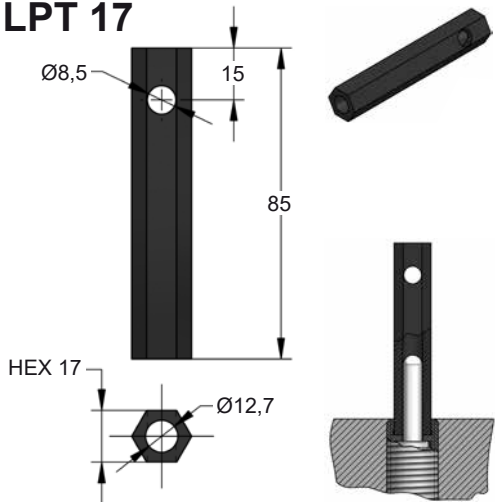
**EFGC 24 200 050**



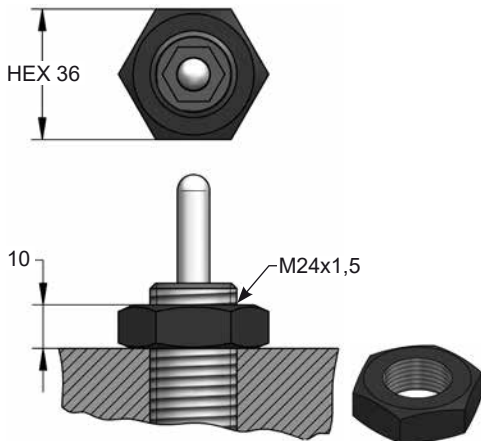
--	--	--	--	--	--	--	--

N <sub>2</sub>	Smax < 90%	Vmax 1,6 m/s	bar psi	bar psi	°C °F	°C °F	°C °F	
			20 290	180 2610	0 32	80 176		

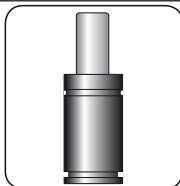
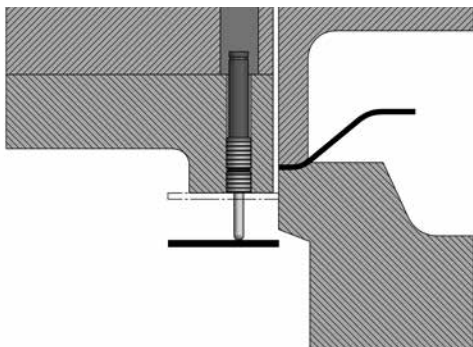
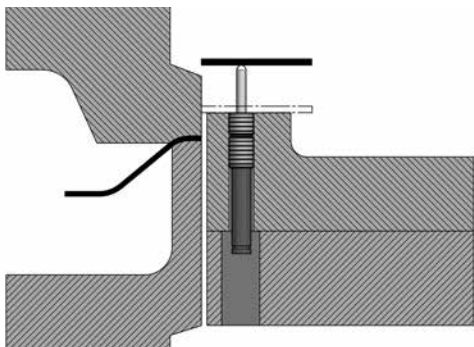
**LPT 17**



**E23-024**



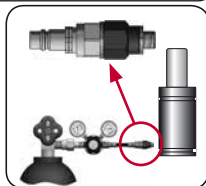
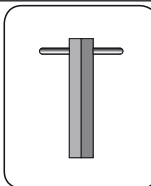
**MOUNTING EXAMPLE**



**SEAL**  
**KIT S-XXXXXXX**



**CARTRIDGE**  
**KIT C-XXXXXXX**

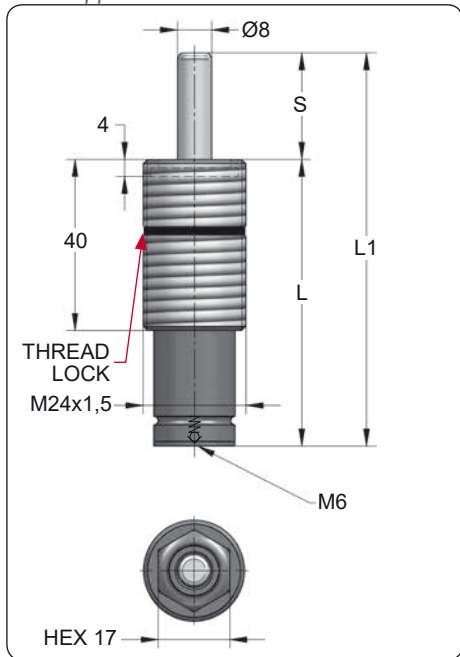


CODE	EFGC 24 200 050	<b>X</b>	LPT 17	06 CG 2-Q
ENG	ORDER		KEY	CHARGING ADAPTER
DEU	BESTELLUNG		MONTAGESCHLÜSSEL	LADEADAPTER
FRA	COMMANDE		CLE	RACCORD DE CHARGE
ITA	ORDINE		CHIAVE	ADATTATORE DI CARICO
ESP	PEDIDO		LLAVE	ADAPTADOR DE CARGA
POR	PEDIDO		CHAVE	ADAPTADOR DE CARGA

# EFGL 24

Gas Strippers

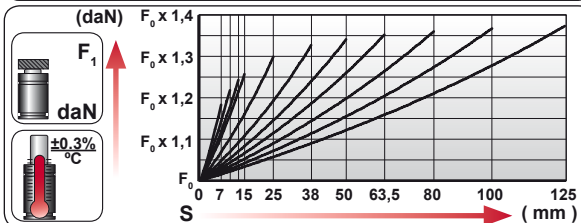
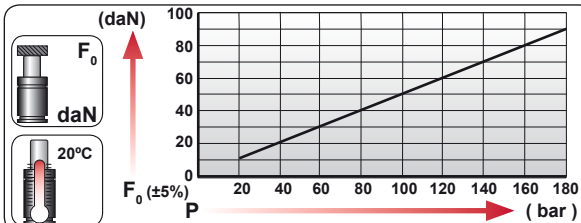
FORD W-DX35-8018



CODE	S (mm)	L1 ±0,25 (mm)	L (mm)	Kg.
EFGL 24 ... 007	7	56	49	0.12
EFGL 24 ... 010	10	62	52	0.12
EFGL 24 ... 012	12.7	67.4	54.7	0.13
EFGL 24 ... 015	15	72	57	0.13
EFGL 24 ... 025	25	92	67	0.15
EFGL 24 ... 038	38	118	80	0.16
EFGL 24 ... 050	50	142	92	0.17
EFGL 24 ... 063	63.5	172	109	0.19
EFGL 24 ... 080	80	205	125	0.21
EFGL 24 ... 100	100	245	145	0.23
EFGL 24 ... 125	125	295	170	0.26



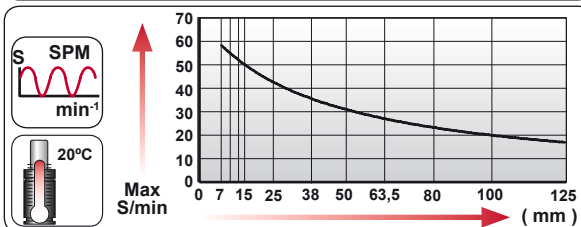
CODE	COLOR	Pressure		Force	
		bar	psi	daN	daN
EFGL 24 30 050	Green	60	870	30	40
EFGL 24 50 050	Blue	100	1450	50	65
EFGL 24 70 050	Red	140	2030	70	95
EFGL 24 90 050	Yellow	180	2610	90	120
EFGL 24 XX 050	Black	20-180	290-2610	10 - 90	13 - 120



	ENG ORDER		
	DEU BESTELLUNG	daN	mm
	FRA COMMANDE		
	ITA ORDINE		
	ESP PEDIDO		
POR PEDIDO			

**EFGL 24 90 50**

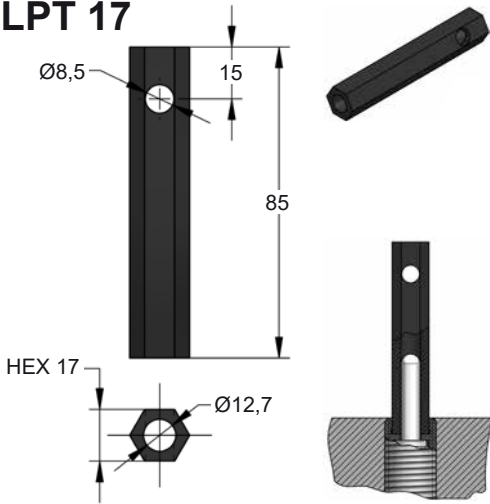
**EFGL 24 90 050**



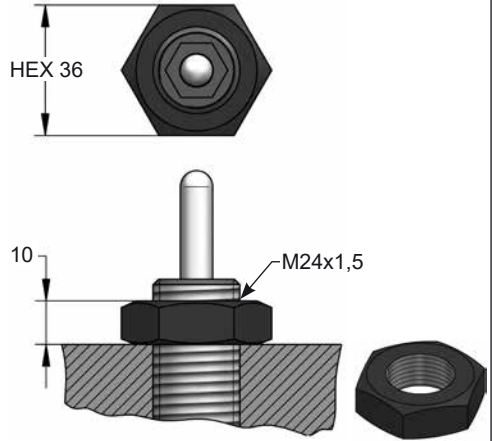
N <sub>2</sub>	S <sub>max</sub> < 90%	V <sub>max</sub> 1,6 m/s	P <sub>min</sub> (20°C)	P <sub>max</sub> (20°C)	T <sub>min</sub>	T <sub>max</sub>	

bar	psi	bar	psi	°C	°F	°C	°F	<b>X</b>
20	290	180	2610	0	32	80	176	

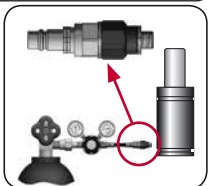
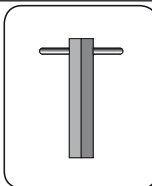
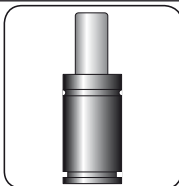
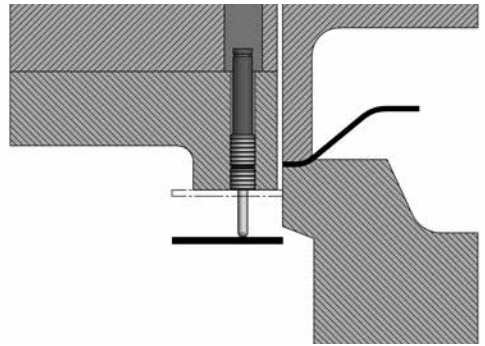
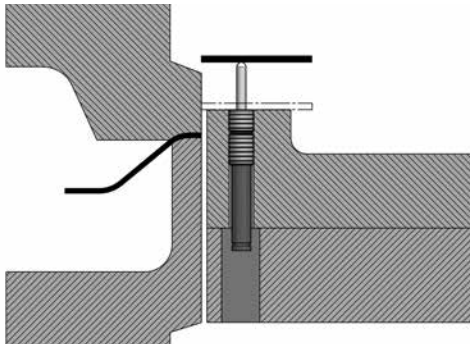
**LPT 17**



**E23-024**



**MOUNTING EXAMPLE**

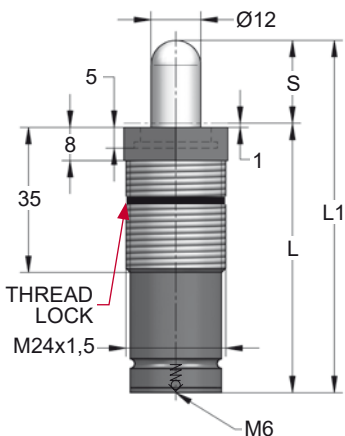


CODE	EFGL 24 90 050	<b>X</b>	LPT 17	06 CG 2-Q
ENG	ORDER	REPAIR KIT	KEY	CHARGING ADAPTER
DEU	BESTELLUNG	ERSATZTEILSATZ	MONTAGESCHLÜSSEL	LADEADAPTER
FRA	COMMANDE	KIT DE RÉPARATION	CLE	RACCORD DE CHARGE
ITA	ORDINE	KIT DI MANUTENZIONE	CHIAVE	ADATTATORE DI CARICO
ESP	PEDIDO	KIT DE REPARACION	LLAVE	ADAPTADOR DE CARGA
POR	PEDIDO	KIT DE MANUTENÇÃO	CHAVE	ADAPTADOR DE CARGA

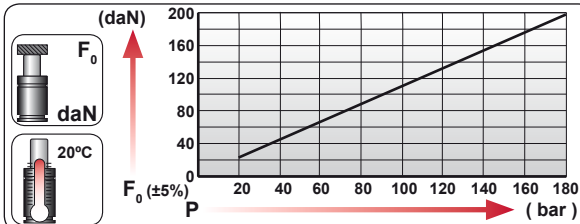
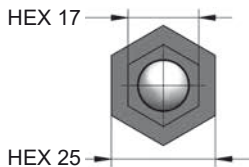
# EFK 24

Gas Strippers

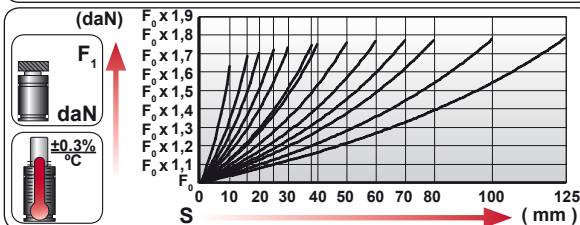


CODE	S (mm)	L1 ±0,25 (mm)	L (mm)	Kg.
EFK 24 ... 010	10	65	55	0.15
EFK 24 ... 016	16	77	61	0.16
EFK 24 ... 020	20	85	65	0.17
EFK 24 ... 025	25	95	70	0.18
EFK 24 ... 030	30	105	75	0.19
EFK 24 ... 038	38	121	83	0.21
EFK 24 ... 040	40	125	85	0.21
EFK 24 ... 050	50	145	95	0.23
EFK 24 ... 060	60	165	105	0.25
EFK 24 ... 070	70	185	115	0.27
EFK 24 ... 080	80	205	125	0.28
EFK 24 ... 100	100	245	145	0.32
EFK 24 ... 125	125	295	170	0.37



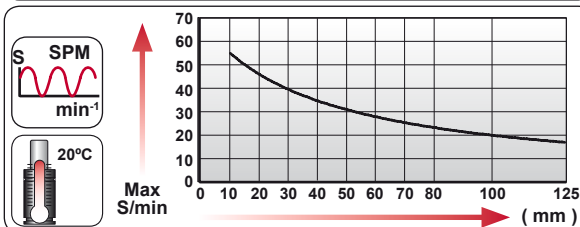
CODE	COLOR	Pressure		Force	
		bar	psi	daN	daN
EFK 24 23 050	Green	20	290	23	40
EFK 24 45 050	Blue	40	580	45	80
EFK 24 85 050	Red	75	1090	85	150
EFK 24 170 050	Yellow	150	2175	170	300
EFK 24 XXX 050	Black	20-180	290-2610	23 - 200	40 - 355



	ENG ORDER		
	DEU BESTELLUNG		
	FRA COMMANDE		
	ITA ORDINE		
	ESP PEDIDO		
POR PEDIDO			

**EFK 24 200 50**

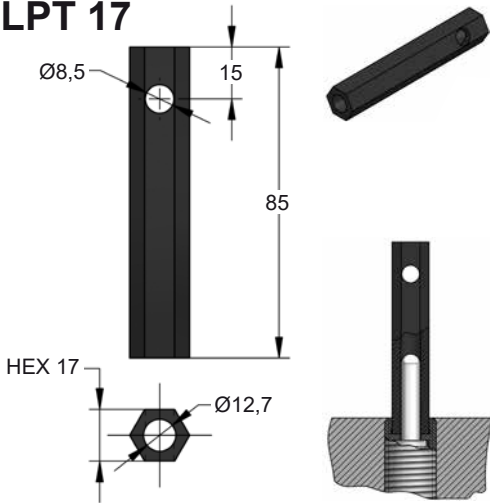
**EFK 24 200 050**



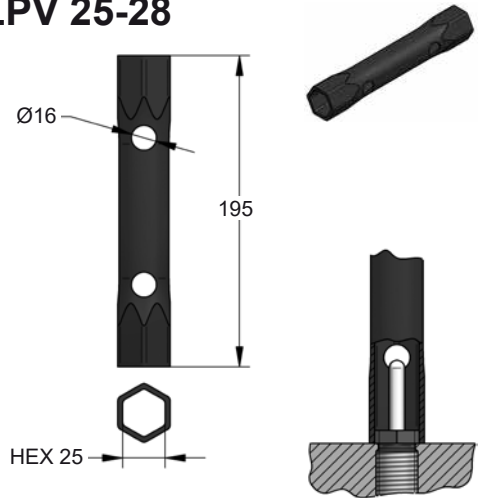
N <sub>2</sub>	S <sub>max</sub> < 90%	V <sub>max</sub> 1,6 m/s	P <sub>min</sub> (20°C)	P <sub>max</sub> (20°C)	T <sub>min</sub>	T <sub>max</sub>	

bar	psi	bar	psi	°C	°F	°C	°F	<b>X</b>
20	290	180	2610	0	32	80	176	

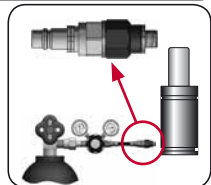
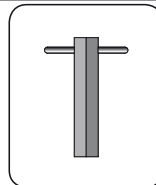
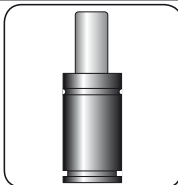
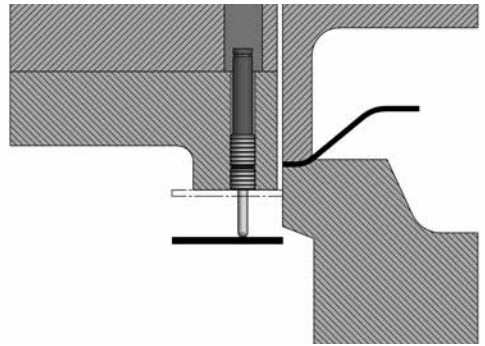
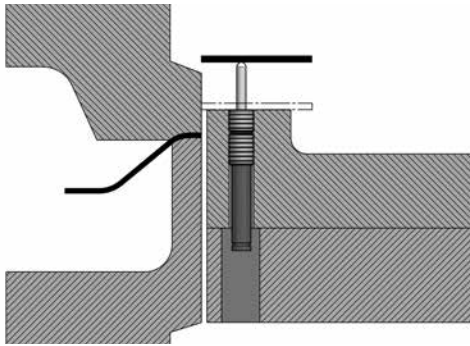
**LPT 17**



**LPV 25-28**



**MOUNTING EXAMPLE**

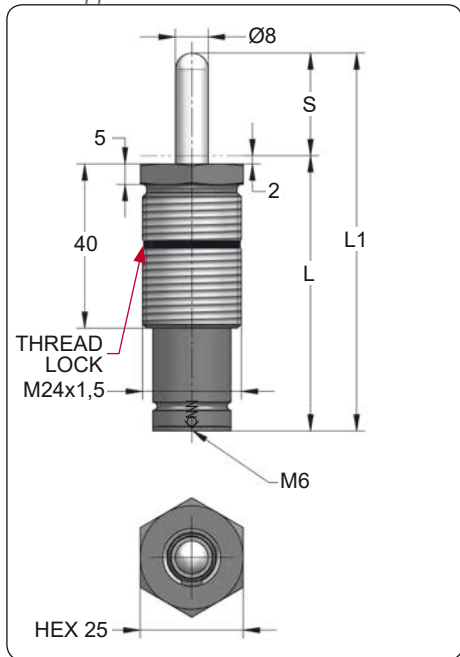


CODE	EFK 24 200 050	<b>X</b>	LPT 17	06 CG 2-Q
ENG ORDER	GAS SPRING	REPAIR KIT	KEY	CHARGING ADAPTER
DEU BESTELLUNG	GASDRUCKFEDER	ERSATZTEILSATZ	MONTAGESCHLÜSSEL	LADEADAPTER
FRA COMMANDE	RESSORT À GAZ	KIT DE RÉPARATION	CLE	RACCORD DE CHARGE
ITA ORDINE	CILINDRO AD AZOTO	KIT DI MANUTENZIONE	CHIAVE	ADATTATORE DI CARICO
ESP PEDIDO	RESORTE DE GAS	KIT DE REPARACION	LLAVE	ADAPTADOR DE CARGA
POR PEDIDO	CILINDRO DE GAS	KIT DE MANUTENÇÃO	CHAVE	ADAPTADOR DE CARGA

# EFV 24

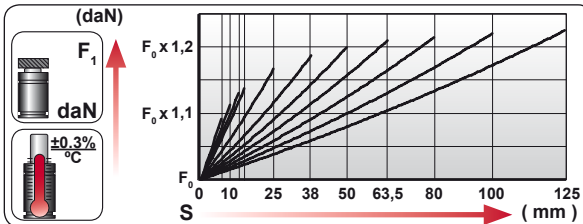
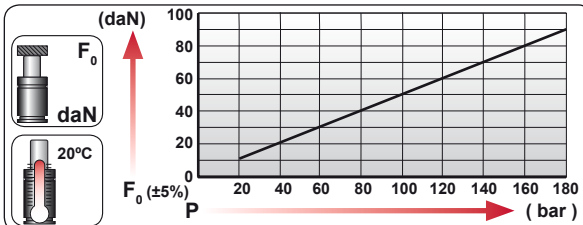
Gas Strippers



CODE	S (mm)	L1 ±0,25 (mm)	L (mm)	Kg.
EFV 24 ... 007	7	56	49	0.10
EFV 24 ... 010	10	62	52	0.11
EFV 24 ... 012	12.7	67.4	54.7	0.11
EFV 24 ... 015	15	72	57	0.12
EFV 24 ... 025	25	92	67	0.16
EFV 24 ... 038	38	118	80	0.15
EFV 24 ... 050	50	142	92	0.16
EFV 24 ... 063	63.5	172	108.5	0.19
EFV 24 ... 080	80	205	125	0.21
EFV 24 ... 100	100	245	145	0.27
EFV 24 ... 125	125	295	170	0.30

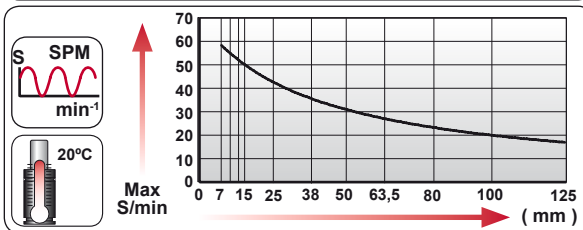
CODE	COLOR	Pressure		Force	
		bar	psi	F <sub>0</sub> daN	F <sub>1</sub> daN
EFV 24 30 050	Green	60	870	30	40
EFV 24 50 050	Blue	100	1450	50	65
EFV 24 70 050	Red	140	2030	70	95
EFV 24 90 050	Yellow	180	2610	90	120
EFV 24 XX 050	Black	20-180	290-2610	10 - 90	13 - 120



	ENG ORDER		
	DEU BESTELLUNG	daN	mm
	FRA COMMANDE		
	ITA ORDINE		
	ESP PEDIDO		
POR PEDIDO			

**EFV 24 90 50**

**EFV 24 90 050**

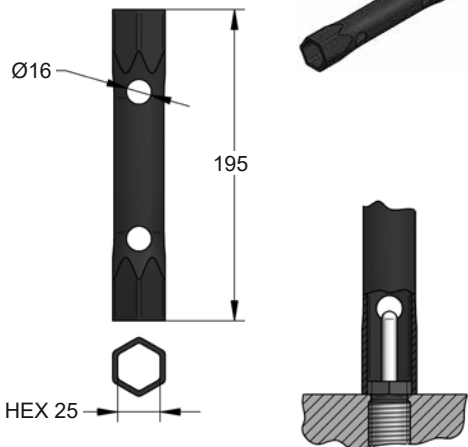


N <sub>2</sub>	S <sub>max</sub> < 90%	V <sub>max</sub> 1,6 m/s	P <sub>min</sub> (20°C)	P <sub>max</sub> (20°C)	T <sub>min</sub>	T <sub>max</sub>	

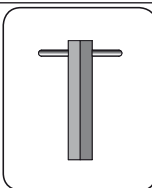
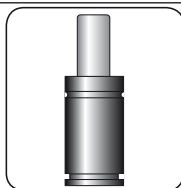
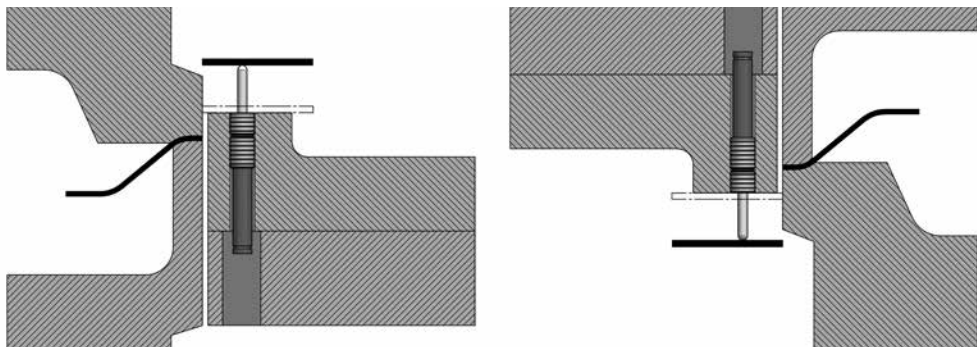
bar	psi	bar	psi	°C	°F	°C	°F	<b>X</b>
20	290	180	2610	0	32	80	176	



**LPV 25-28**



**MOUNTING EXAMPLE**



CODE	EFV 24 90 050	<b>X</b>	LPV 25-28	06 CG 2-Q
ENG	ORDER		KEY	CHARGING ADAPTER
DEU	BESTELLUNG		MONTAGESCHLÜSSEL	LADEADAPTER
FRA	COMMANDE		CLE	RACCORD DE CHARGE
ITA	ORDINE		CHIAVE	ADATTATORE DI CARICO
ESP	PEDIDO		LLAVE	ADAPTADOR DE CARGA
POR	PEDIDO		CHAVE	ADAPTADOR DE CARGA

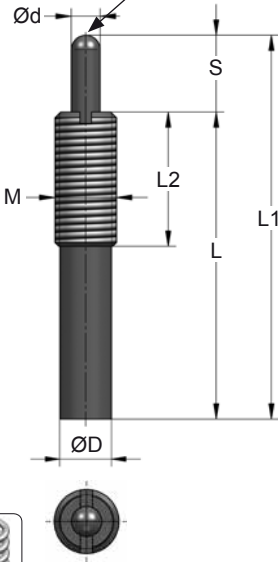
# MBR

Spring Plungers



## MBR

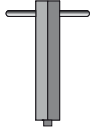
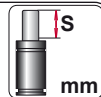
S45C  
(STEEL)



ORDER	M	S (mm)	L1 (mm)	L (mm)	L2 (mm)	ØD (mm)	Ød (mm)	F <sub>0</sub> (N)	F <sub>1</sub> (N)	Key
<b>MBR 16 020</b>	M16x2	20	100	80	35	13.4	7.5	35	174	LP 16
<b>MBR 16 030</b>	M16x2	30	150	120	35	13.4	7.5	20	80	LP 16
<b>MBR 16 040</b>	M16x2	40	190	150	35	13.4	7.5	55	158	LP 16
<b>MBR 16 050</b>	M16x2	50	250	200	35	13.4	7.5	35	105	LP 16



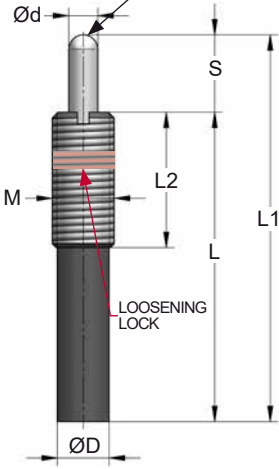
ENG ORDER  
DEU BESTELL  
FRA COMMANDE  
ITA ORDINE  
ESP PEDIDO  
POR PEDIDO



**LP 16**

**MBN**

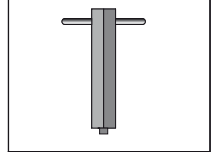
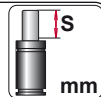
S45C (STEEL)



ORDER	M	S (mm)	L1 (mm)	L (mm)	L2 (mm)	$\varnothing D$ (mm)	$\varnothing d$ (mm)	F <sub>0</sub> (N)	F <sub>1</sub> (N)	Key
MBN 16 010	M16	11	91	80	35	13.4	7.3	17	75	LPS 16
MBN 16 020	M16	21	141	120	35	13.4	7.3	21	80	LPS 16
MBN 16 030	M16	31	181	150	35	13.4	7.3	21	90	LPS 16
MBN 16 040	M16	41	241	200	35	13.4	7.3	16	80	LPS 16
MBN 22 020	M22	21	151	130	50	19	9	80	215	LPS 22
MBN 22 030	M22	31	199	168	50	19	9	70	210	LPS 22
MBN 22 040	M22	41	267	226	50	19	9	75	210	LPS 22



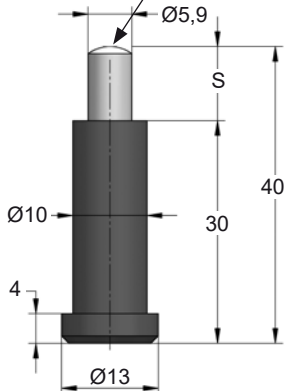
ENG ORDER  
DEU BESTELL  
FRA COMMANDE  
ITA ORDINE  
ESP PEDIDO  
POR PEDIDO



LPS \_ \_

**MBP**

S45C (STEEL)



ORDER	S (mm)	F <sub>0</sub> (N)	F <sub>1</sub> (N)
MBP 010	10	42	110



ENG ORDER  
DEU BESTELL  
FRA COMMANDE  
ITA ORDINE  
ESP PEDIDO  
POR PEDIDO

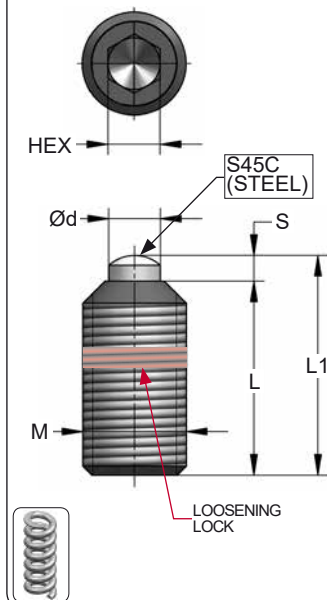


# MBSD / MBSL

Spring Plungers

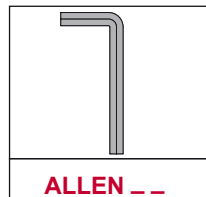
**AZOL  
GAS**

## MBSD

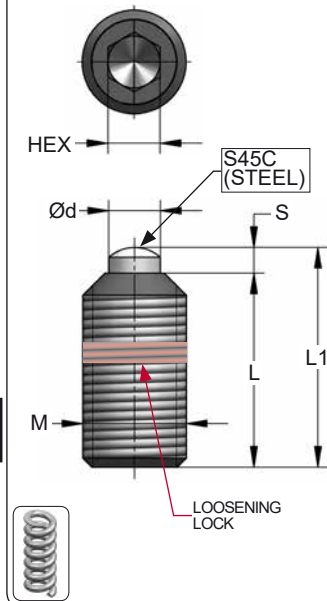


ORDER	M	S (mm)	L1 (mm)	L (mm)	Ød (mm)	HEX (mm)	F <sub>0</sub> (N)	F <sub>1</sub> (N)	Allen Key
<b>MBSD 5 001</b>	M5	1.5	13.5	12	2.5	2.5	5	15	2.5
<b>MBSD 6 001</b>	M6	1.5	14.5	13	3	3	6	20	3
<b>MBSD 8 002</b>	M8	2	17	15	4	4	6	20	4
<b>MBSD 10 002</b>	M10	2.5	18.5	16	5	5	10	30	5
<b>MBSD 12 003</b>	M12	3.5	23.5	20	6	6	10	30	6
<b>MBSD 16 004</b>	M16	4.5	26.5	22	8	8	20	60	8

	ENG ORDER DEU BESTELL FRA COMMANDE ITA ORDINE ESP PEDIDO POR PEDIDO		M		S mm
		<b>MBSD M16</b>		<b>4</b>	
		<b>MBSD 16 004</b>			

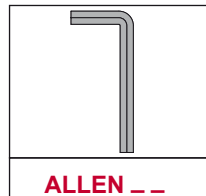


## MBSL

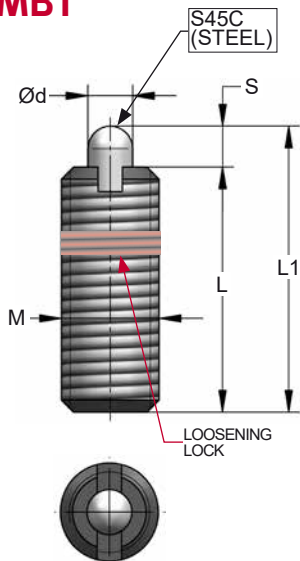


ORDER	M	S (mm)	L1 (mm)	L (mm)	Ød (mm)	HEX (mm)	F <sub>0</sub> (N)	F <sub>1</sub> (N)	Allen Key
<b>MBSL 5 001</b>	M5	1.5	13.5	12	2.5	2.5	2	8	2.5
<b>MBSL 6 001</b>	M6	1.5	14.5	13	3	3	3	10	3
<b>MBSL 8 002</b>	M8	2	17	15	4	4	3	10	4
<b>MBSL 10 002</b>	M10	2.5	18.5	16	5	5	5	15	5
<b>MBSL 12 003</b>	M12	3.5	23.5	20	6	6	5	15	6
<b>MBSL 16 004</b>	M16	4.5	26.5	22	8	8	10	30	8

	ENG ORDER DEU BESTELL FRA COMMANDE ITA ORDINE ESP PEDIDO POR PEDIDO		M		S mm
		<b>MBSL M16</b>		<b>4</b>	
		<b>MBSL 16 004</b>			



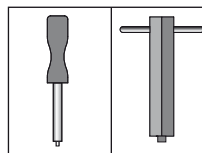
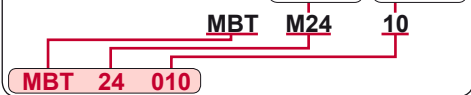
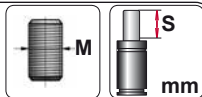
**MBT**



ORDER	M	S (mm)	L1 (mm)	L (mm)	Ød (mm)	F <sub>0</sub> (N)	F <sub>1</sub> (N)	Key
MBT 3 001	M3	1	13	12	1	2	4	LPD 3
MBT 4 001	M4	1.5	16.5	15	1.5	4.5	16	LPD 4
MBT 5 002	M5	2.3	20.3	18	2.4	6	19	LPD 5
MBT 6 002	M6	2.5	22.5	20	2.7	6	19	LPD 6
MBT 8 003	M8	3	25	22	3.5	10	39	LPD 8
MBT 10 003	M10	3	25	22	4	10	39	LPD 10
MBT 12 004	M12	4	32	28	6	12	53	LPD 12
MBT 16 005	M16	5	37	32	7.5	45	100	LPD 16
MBT 20 007	M20	7	47	40	10	52	125	LPD 20
MBT 24 010	M24	10	62	52	12	70	170	LPS 24

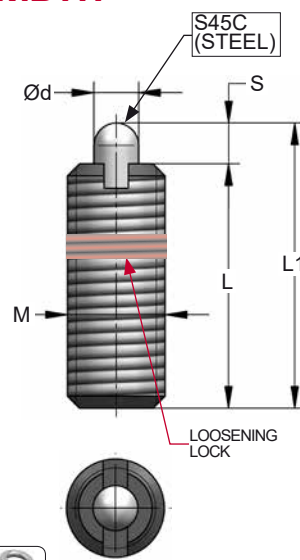


ENG ORDER  
DEU BESTELL  
FRA COMMANDE  
ITA ORDINE  
ESP PEDIDO  
POR PEDIDO



LPD \_\_ LPS 24

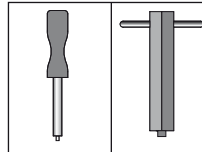
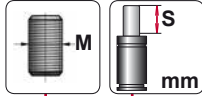
**MBTH**



ORDER	M	S (mm)	L1 (mm)	L (mm)	Ød (mm)	F <sub>0</sub> (N)	F <sub>1</sub> (N)	Key
MBTH 5 002	M5	2.3	20.3	18	2.4	11	40	LPD 5
MBTH 6 002	M6	2.5	22.5	20	2.7	15	43	LPD 6
MBTH 8 003	M8	3	25	22	3.5	20	75	LPD 8
MBTH 10 003	M10	3	25	22	4	20	75	LPD 10
MBTH 12 004	M12	4	32	28	6	45	120	LPD 12
MBTH 16 005	M16	5	37	32	7.5	64	160	LPD 16
MBTH 20 007	M20	7	47	40	10	75	195	LPD 20
MBTH 24 010	M24	10	62	52	12	75	245	LPS 24



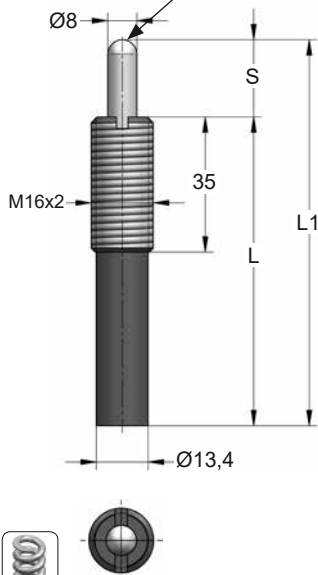
ENG ORDER  
DEU BESTELL  
FRA COMMANDE  
ITA ORDINE  
ESP PEDIDO  
POR PEDIDO



LPD \_\_ LPS 24

**MBZ**

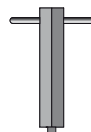
Spring Plungers

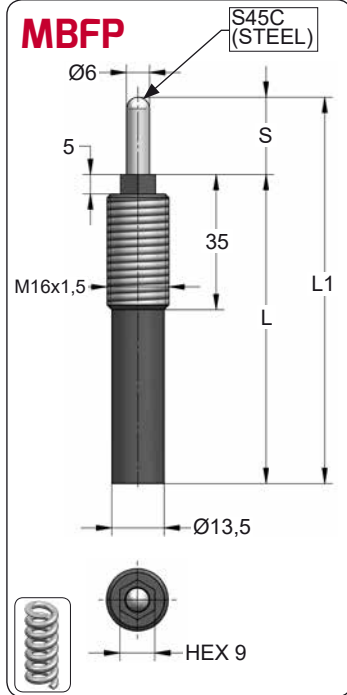
**AZOL  
GAS****MBZ**S45C  
(STEEL)

ORDER	S (mm)	L1 (mm)	L (mm)	F <sub>0</sub> (N)	F <sub>1</sub> (N)	Key
<b>MBZ 16 020</b>	20	100	80	24	186	LP 16
<b>MBZ 16 030</b>	30	110	80	4	47	LP 16
<b>MBZ 16 040</b>	40	190	150	59	177	LP 16
<b>MBZ 16 050</b>	50	200	150	13	47	LP 16
<b>MBZ 16 060</b>	60	210	150	11	45	LP 16
<b>MBZ 16 070</b>	70	270	200	5	40	LP 16
<b>MBZ 16 080</b>	80	280	200	2	38	LP 16

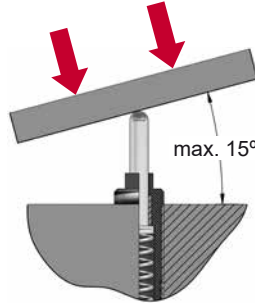


ENG ORDER  
DEU BESTELL  
FRA COMMANDE  
ITA ORDINE  
ESP PEDIDO  
POR PEDIDO

**MBZ M16 80****MBZ 16 080****LP 16**



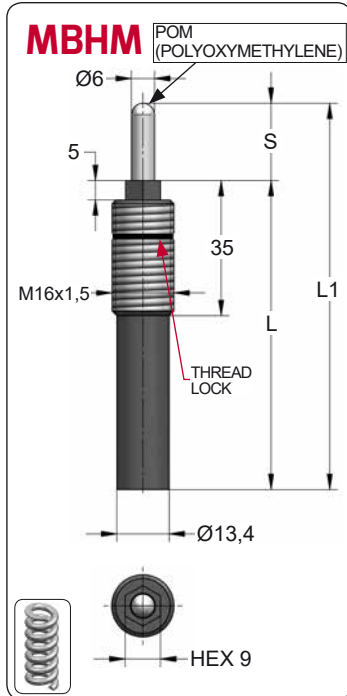
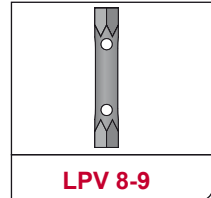
ORDER	S (mm)	L1 (mm)	L (mm)	F <sub>0</sub> (N)	F <sub>1</sub> (N)	Key
<b>MBFP 16 020</b>	20	100	80	35	89	LPV 8-9
<b>MBFP 16 030</b>	30	120	90	2	27	LPV 8-9
<b>MBFP 16 050</b>	50	200	150	9	34	LPV 8-9



ENG ORDER  
 DEU BESTELL  
 FRA COMMANDE  
 ITA ORDINE  
 ESP PEDIDO  
 POR PEDIDO

**MBFP M16 20**

**MBFP 16 020**

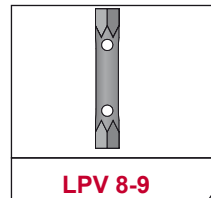


ORDER	S (mm)	L1 (mm)	L (mm)	F <sub>0</sub> (N)	F <sub>1</sub> (N)	Key
<b>MBHM 16 020</b>	20	100	80	7	34.5	LPV 8-9
<b>MBHM 16 030</b>	30	110	80	6.5	45.5	LPV 8-9
<b>MBHM 16 050</b>	50	200	150	13.2	43.2	LPV 8-9

ENG ORDER  
 DEU BESTELL  
 FRA COMMANDE  
 ITA ORDINE  
 ESP PEDIDO  
 POR PEDIDO

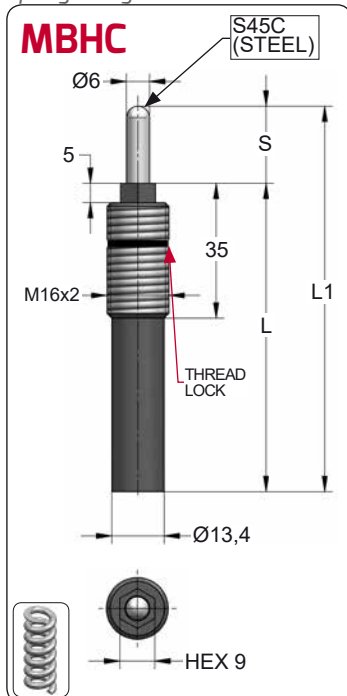
**MBHM M16 80**

**MBHM 16 080**

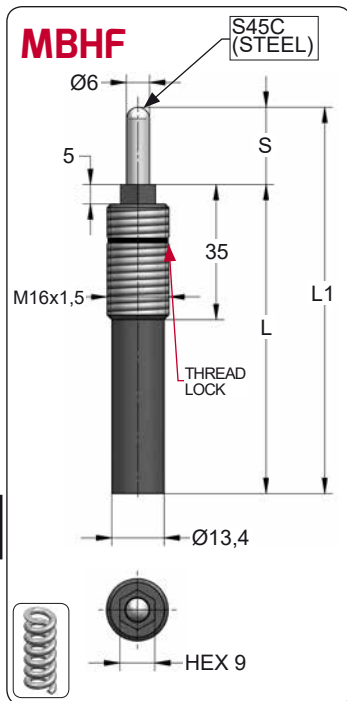
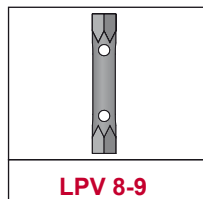
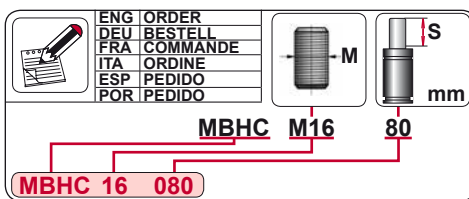


# MBHC / MBHF

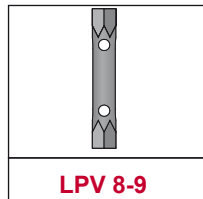
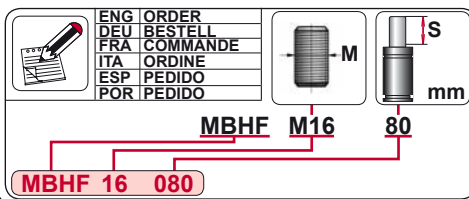
Spring Plungers

**AZOL  
GAS**

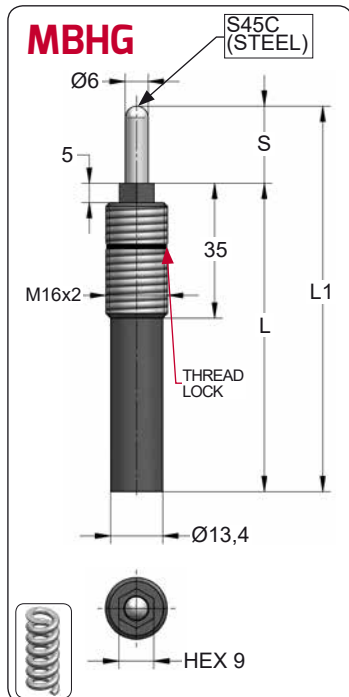
ORDER	S (mm)	L1 (mm)	L (mm)	F <sub>0</sub> (N)	F <sub>1</sub> (N)	Key
MBHC 16 010	10	70	60	4	13.3	LPV 8-9
MBHC 16 015	15	75	60	10	40	LPV 8-9
MBHC 16 020	20	100	80	7	34.5	LPV 8-9
MBHC 16 030	30	110	80	6.5	45.5	LPV 8-9
MBHC 16 030/1	30	150	120	18	40	LPV 8-9
MBHC 16 040	40	190	150	13.2	37.2	LPV 8-9
MBHC 16 050	50	200	150	13.2	43.2	LPV 8-9
MBHC 16 060	60	210	150	13.2	49.2	LPV 8-9
MBHC 16 070	70	270	200	9.7	40.5	LPV 8-9
MBHC 16 080	80	280	200	9.7	44.8	LPV 8-9




ORDER	S (mm)	L1 (mm)	L (mm)	F <sub>0</sub> (N)	F <sub>1</sub> (N)	Key
MBHF 16 010	10	70	60	4	13.3	LPV 8-9
MBHF 16 015	15	75	60	10	40	LPV 8-9
MBHF 16 020	20	100	80	7	34.5	LPV 8-9
MBHF 16 030	30	110	80	6.5	45.5	LPV 8-9
MBHF 16 030/1	30	150	120	18	40	LPV 8-9
MBHF 16 040	40	190	150	13.2	37.2	LPV 8-9
MBHF 16 050	50	200	150	13.2	43.2	LPV 8-9
MBHF 16 060	60	210	150	13.2	49.2	LPV 8-9
MBHF 16 070	70	270	200	9.7	40.5	LPV 8-9
MBHF 16 080	80	280	200	9.7	44.8	LPV 8-9


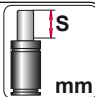






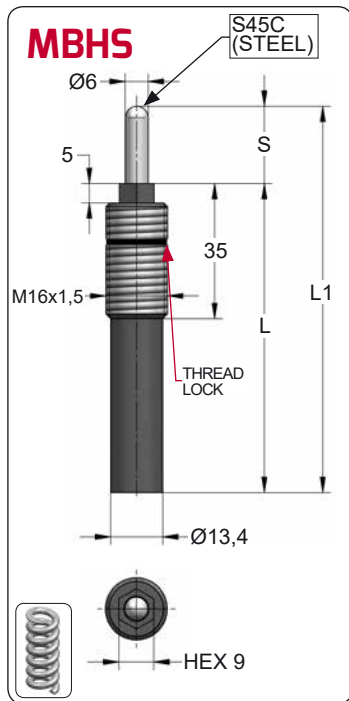
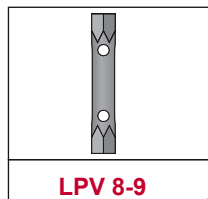
ORDER	S (mm)	L1 (mm)	L (mm)	F <sub>0</sub> (N)	F <sub>1</sub> (N)	Key
MBHG 16 010	10	70	60	13	45.5	LPV 8-9
MBHG 16 015	15	75	60	15	56	LPV 8-9
MBHG 16 020	20	100	80	34.5	172.5	LPV 8-9
MBHG 16 030	30	150	120	20	80	LPV 8-9
MBHG 16 030/1	30	180	150	56.1	132.2	LPV 8-9
MBHG 16 040	40	190	150	56.1	158.1	LPV 8-9
MBHG 16 050	50	250	200	19.3	100	LPV 8-9
MBHG 16 060	60	260	200	19.3	116	LPV 8-9
MBHG 16 070	70	270	200	19.3	132	LPV 8-9
MBHG 16 080	80	280	200	25	100	LPV 8-9


 ENG ORDER  
 DEU BESTELL  
 FRA COMMANDE  
 ITA ORDINE  
 ESP PEDIDO  
 POR PEDIDO


 M
  S  
 mm


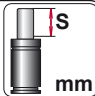
**MBHG M16 80**

**MBHG 16 080**



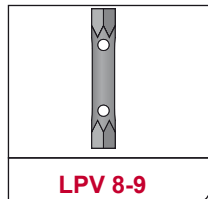
ORDER	S (mm)	L1 (mm)	L (mm)	F <sub>0</sub> (N)	F <sub>1</sub> (N)	Key
MBHS 16 010	10	70	60	13	45.5	LPV 8-9
MBHS 16 015	15	75	60	15	56	LPV 8-9
MBHS 16 020	20	100	80	34.5	172.5	LPV 8-9
MBHS 16 030	30	150	120	20	80	LPV 8-9
MBHS 16 030/1	30	180	150	56.1	132.2	LPV 8-9
MBHS 16 040	40	190	150	56.1	158.1	LPV 8-9
MBHS 16 050	50	250	200	19.3	100	LPV 8-9
MBHS 16 060	60	260	200	19.3	116	LPV 8-9
MBHS 16 070	70	270	200	19.3	132	LPV 8-9
MBHS 16 080	80	280	200	25	100	LPV 8-9


 ENG ORDER  
 DEU BESTELL  
 FRA COMMANDE  
 ITA ORDINE  
 ESP PEDIDO  
 POR PEDIDO

 M
  S  
 mm

**MBHS M16 80**

**MBHS 16 080**

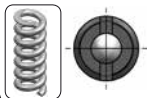
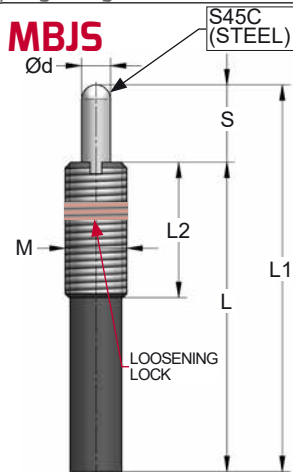


# MBJS / MBJX

Spring Plungers

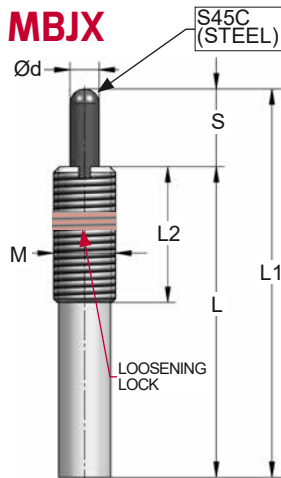


## MBJS



ORDER	M	S (mm)	L1 (mm)	L (mm)	L2 (mm)	Ød (mm)	F <sub>0</sub> (N)	F <sub>1</sub> (N)	Key
MBJS 3 001	M3	1.5	11.5	10	10	1.1	0.05	0.32	---
MBJS 3 003	M3	3	18	15	15	1.1	0.09	0.32	---
MBJS 4 002	M4	2	17	15	15	1.6	0.23	0.65	---
MBJS 4 004	M4	4	28	24	24	1.6	0.24	0.65	---
MBJS 5 003	M5	3	23	20	20	2	0.74	2.95	LPJ 1
MBJS 5 005	M5	5	32	27	27	2	0.72	2.95	LPJ 1
MBJS 6 003	M6	3	28	25	25	2.5	0.85	3.2	LPJ 1
MBJS 6 005	M6	5	35	30	30	2.5	0.85	3.2	LPJ 1
MBJS 8 003	M8	3	28	25	25	3.1	0.9	3.3	LPJ 2
MBJS 8 005	M8	5	32	27	27	3.1	0.9	3.3	LPJ 2
MBJS 10 005	M10	5	35	30	30	3.8	1.9	4.7	LPJ 2
MBJS 10 010	M10	10	53	43	30	3.8	1.7	4.7	LPJ 2
MBJS 12 005	M12	5	35	30	30	5.5	1.5	4.7	LPJ 3
MBJS 12 010	M12	10	53	43	35	5.5	1.3	5.9	LPJ 3
MBJS 12 015	M12	15	66	51	35	5.5	1.6	5.9	LPJ 3
MBJS 16 010	M16	10	70	60	35	8	1.7	12.8	LPJ 4
MBJS 16 015	M16	15	75	60	35	8	1.7	12.8	LPJ 4
MBJS 16 020	M16	20	105	85	35	8	1.7	12.8	LPJ 4

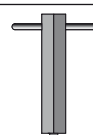
## MBJX



ORDER	M	S (mm)	L1 (mm)	L (mm)	L2 (mm)	Ød (mm)	F <sub>0</sub> (N)	F <sub>1</sub> (N)	Key
MBJX 3 001	M3	1.5	16.5	15	15	1.1	2	5	---
MBJX 3 003	M3	3	23	20	20	1.1	2	5	---
MBJX 4 002	M4	2	26	24	24	1.6	5	13	---
MBJX 4 004	M4	4	28	24	24	1.6	5	13	---
MBJX 5 003	M5	3	30	27	27	2	9	25	LPJ 1
MBJX 5 005	M5	5	44	39	39	2	9	25	LPJ 1
MBJX 6 003	M6	3	33	30	30	2.5	14	39	LPJ 1
MBJX 6 005	M6	5	41	36	36	2.5	14	39	LPJ 1
MBJX 8 003	M8	3	30	27	27	3.1	15	41	LPJ 2
MBJX 8 005	M8	5	40	35	30	3.1	15	41	LPJ 2
MBJX 10 005	M10	5	40	35	30	3.8	16	63	LPJ 2
MBJX 10 010	M10	10	63	53	30	3.8	13	63	LPJ 2
MBJX 12 005	M12	5	48	43	35	5.5	37	98	LPJ 3
MBJX 12 010	M12	10	68	58	35	5.5	15	98	LPJ 3
MBJX 12 015	M12	15	93	78	35	5.5	15	98	LPJ 3
MBJX 16 010	M16	10	70	60	35	8	24	147	LPJ 4
MBJX 16 015	M16	15	85	70	35	8	22	147	LPJ 4
MBJX 16 020	M16	20	110	90	35	8	13	147	LPJ 4
MBJX 16 030	M16	30	155	125	35	8	20	147	LPJ 4
MBJX 20 015	M20	15	95	80	45	10	13	250	LPJ 5
MBJX 24 015	M24	15	99	84	45	10	25	314	LPJ 5

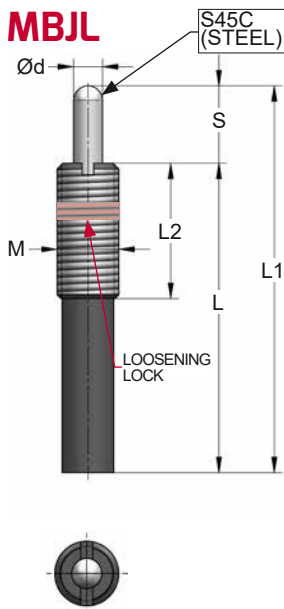


ENG ORDER  
DEU BESTELL  
FRA COMMANDE  
ITA ORDINE  
ESP PEDIDO  
POR PEDIDO



LPJ \_\_

## MBJL



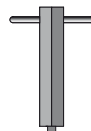
ORDER	M	S (mm)	L1 (mm)	L (mm)	L2 (mm)	Ød (mm)	F <sub>0</sub> (N)	F <sub>1</sub> (N)	Key
MBJL 3 001	M3	1.5	11.5	10	10	1.1	0.5	1	---
MBJL 3 003	M3	3	18	15	15	1.1	0.3	1	---
MBJL 4 002	M4	2	17	15	15	1.6	1	2	---
MBJL 4 004	M4	4	28	24	24	1.6	0.6	2	---
MBJL 5 003	M5	3	23	20	20	2	2	10	LPJ 1
MBJL 5 005	M5	5	32	27	27	2	2	10	LPJ 1
MBJL 6 003	M6	3	28	25	25	2.5	6	10	LPJ 1
MBJL 6 005	M6	5	35	30	30	2.5	2	10	LPJ 1
MBJL 6 010	M6	10	49	39	30	2.5	1.4	10	LPJ 1
MBJL 8 003	M8	3	28	25	25	3.1	6	10	LPJ 2
MBJL 8 005	M8	5	32	27	27	3.1	3	10	LPJ 2
MBJL 8 010	M8	10	53	43	30	3.1	3	10	LPJ 2
MBJL 10 005	M10	5	35	30	30	3.8	6	15	LPJ 2
MBJL 10 010	M10	10	53	43	30	3.8	3	15	LPJ 2
MBJL 10 015	M10	15	73	58	30	3.8	3	15	LPJ 2
MBJL 12 005	M12	5	35	30	30	5.5	6	15	LPJ 3
MBJL 12 010	M12	10	53	43	35	5.5	3	20	LPJ 3
MBJL 12 015	M12	15	66	51	35	5.5	3	20	LPJ 3
MBJL 12 020	M12	20	98	78	35	5.5	3.5	20	LPJ 3
MBJL 16 010	M16	10	70	60	35	8	6	40	LPJ 4
MBJL 16 015	M16	15	75	60	35	8	4	40	LPJ 4
MBJL 16 020	M16	20	105	85	35	8	5	40	LPJ 4
MBJL 16 030	M16	30	155	125	35	8	3	40	LPJ 4
MBJL 16 040	M16	40	165	125	35	8	5	40	LPJ 4
MBJL 16 050	M16	50	205	155	35	8	20	50	LPJ 4
MBJL 16 060	M16	60	219	159	35	8	3	50	LPJ 4
MBJL 16 070	M16	70	255	185	35	8	3.5	50	LPJ 4
MBJL 16 080	M16	80	265	185	35	8	20	50	LPJ 4
MBJL 20 015	M20	15	75	60	45	10	13	80	LPJ 5
MBJL 20 020	M20	20	92	72	45	10	12	80	LPJ 5
MBJL 20 030	M20	30	126	96	45	10	12	80	LPJ 5
MBJL 20 040	M20	40	160	120	45	10	12	80	LPJ 5
MBJL 24 007	M24	7	67	60	45	10	20	98	LPJ 5
MBJL 24 015	M24	15	75	60	45	10	20	98	LPJ 5
MBJL 24 020	M24	20	95	75	45	10	18	98	LPJ 5
MBJL 24 030	M24	30	130	100	45	10	18	98	LPJ 5
MBJL 24 040	M24	40	164	124	45	10	18	98	LPJ 5
MBJL 30 015	M30	15	81	66	45	14	28	118	LPJ 6
MBJL 30 020	M30	20	98	78	45	14	28	118	LPJ 6
MBJL 30 030	M30	30	130	100	45	14	28	118	LPJ 6
MBJL 30 040	M30	40	163	123	45	14	28	118	LPJ 6



ENG ORDER  
DEU BESTELL  
FRA COMMANDE  
ITA ORDINE  
ESP PEDIDO  
POR PEDIDO

**MBJL M30 40**

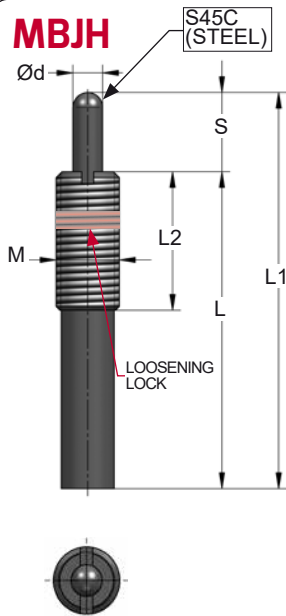
**MBJL 30 040**



LPJ \_\_

# MBJH

Spring Plungers

**AZOL  
GAS** 

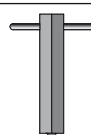
ORDER	M	S (mm)	L1 (mm)	L (mm)	L2 (mm)	Ød (mm)	F <sub>0</sub> (N)	F <sub>1</sub> (N)	Key
MBJH 3 001	M3	1.5	11.5	10	10	1.1	0.8	3	---
MBJH 3 003	M3	3	18	15	15	1.1	0.8	3	---
MBJH 4 002	M4	2	17	15	15	1.6	3	9	---
MBJH 4 004	M4	4	28	24	24	1.6	2	9	---
MBJH 5 003	M5	3	23	20	20	2	5	20	LPJ 1
MBJH 5 005	M5	5	32	27	27	2	3	20	LPJ 1
MBJH 6 003	M6	3	28	25	25	2.5	8	30	LPJ 1
MBJH 6 005	M6	5	35	30	30	2.5	5	30	LPJ 1
MBJH 6 010	M6	10	49	39	30	2.5	5	28	LPJ 1
MBJH 8 003	M8	3	28	25	25	3.1	15	30	LPJ 2
MBJH 8 005	M8	5	32	27	27	3.1	8	30	LPJ 2
MBJH 8 010	M8	10	53	43	30	3.1	7	30	LPJ 2
MBJH 10 005	M10	5	35	30	30	3.8	9	50	LPJ 2
MBJH 10 010	M10	10	53	43	30	3.8	8	50	LPJ 2
MBJH 10 015	M10	15	73	58	30	3.8	6	50	LPJ 2
MBJH 12 005	M12	5	35	30	30	5.5	19	50	LPJ 3
MBJH 12 010	M12	10	53	43	35	5.5	8	50	LPJ 3
MBJH 12 015	M12	15	66	51	35	5.5	5	50	LPJ 3
MBJH 12 020	M12	20	98	78	35	5.5	7	50	LPJ 3
MBJH 16 010	M16	10	70	60	35	8	13	80	LPJ 4
MBJH 16 015	M16	15	75	60	35	8	13	80	LPJ 4
MBJH 16 020	M16	20	105	85	35	8	10	80	LPJ 4
MBJH 16 030	M16	30	155	125	35	8	7	80	LPJ 4
MBJH 16 040	M16	40	165	125	35	8	7	80	LPJ 4
MBJH 16 050	M16	50	205	155	35	8	30	80	LPJ 4
MBJH 16 060	M16	60	219	159	35	8	4	80	LPJ 4
MBJH 16 070	M16	70	255	185	35	8	5.6	80	LPJ 4
MBJH 16 080	M16	80	265	185	35	8	30	95	LPJ 4
MBJH 20 015	M20	15	75	60	45	10	25	150	LPJ 5
MBJH 20 020	M20	20	92	72	45	10	23	150	LPJ 5
MBJH 20 030	M20	30	126	96	45	10	23	150	LPJ 5
MBJH 20 040	M20	40	160	120	45	10	23	150	LPJ 5
MBJH 24 007	M24	7	67	60	45	10	44	196	LPJ 5
MBJH 24 015	M24	15	75	60	45	10	47	216	LPJ 5
MBJH 24 020	M24	20	95	75	45	10	44	216	LPJ 5
MBJH 24 030	M24	30	130	100	45	10	44	216	LPJ 5
MBJH 24 040	M24	40	164	124	45	10	44	216	LPJ 5
MBJH 30 015	M30	15	81	66	45	14	44	275	LPJ 6
MBJH 30 020	M30	20	98	78	45	14	53	275	LPJ 6
MBJH 30 030	M30	30	130	100	45	14	45	275	LPJ 6
MBJH 30 040	M30	40	163	123	45	14	47	275	LPJ 6



ENG ORDER  
DEU BESTELL  
FRA COMMANDE  
ITA ORDINE  
ESP PEDIDO  
POR PEDIDO



MBJH M30 40  
MBJH 30 040



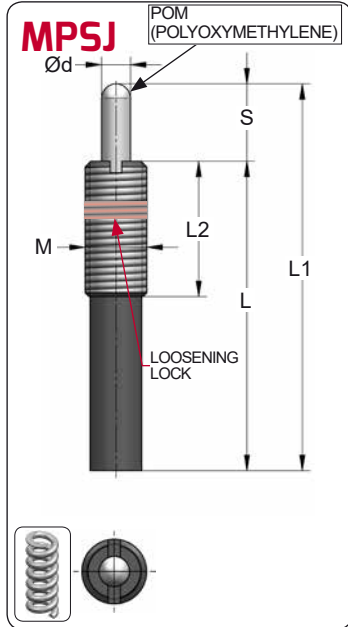
LPJ --



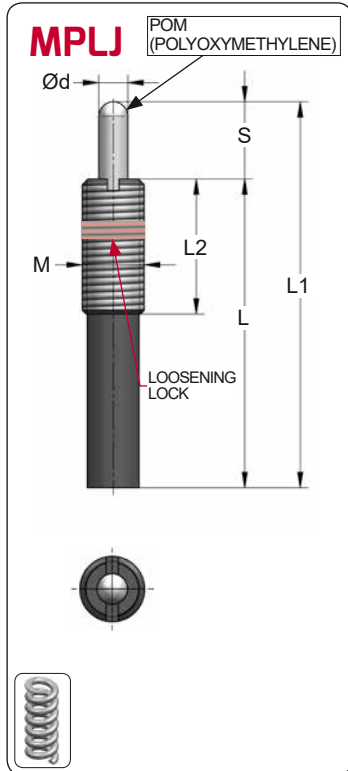


# MPSJ / MPLJ

Spring Plungers



ORDER	M	S (mm)	L1 (mm)	L (mm)	L2 (mm)	Ød (mm)	F <sub>0</sub> (N)	F <sub>1</sub> (N)	Key
MPSJ 3 001	M3	1.5	11.5	10	10	1.1	0.05	0.32	---
MPSJ 3 003	M3	3	18	15	15	1.1	0.09	0.32	---
MPSJ 4 002	M4	2	17	15	15	1.6	0.23	0.65	---
MPSJ 4 004	M4	4	28	24	24	1.6	0.24	0.65	---
MPSJ 5 003	M5	3	23	20	20	2	0.74	2.95	LPJ 1
MPSJ 5 005	M5	5	32	27	27	2	0.72	2.95	LPJ 1
MPSJ 6 003	M6	3	28	25	25	2.5	0.85	3.2	LPJ 1
MPSJ 6 005	M6	5	35	30	30	2.5	0.85	3.2	LPJ 1
MPSJ 8 003	M8	3	28	25	25	3.1	0.9	3.3	LPJ 2
MPSJ 8 005	M8	5	32	27	27	3.1	0.9	3.3	LPJ 2
MPSJ 10 005	M10	5	35	30	30	3.8	1.9	4.7	LPJ 2
MPSJ 10 010	M10	10	53	43	30	3.8	1.7	4.7	LPJ 2
MPSJ 12 005	M12	5	35	30	30	5.5	1.5	4.7	LPJ 3
MPSJ 12 010	M12	10	53	43	35	5.5	1.3	5.9	LPJ 3
MPSJ 12 015	M12	15	66	51	35	5.5	1.6	5.9	LPJ 3
MPSJ 16 010	M16	10	70	60	35	8	1.7	12.8	LPJ 4
MPSJ 16 015	M16	15	75	60	35	8	1.7	12.8	LPJ 4
MPSJ 16 020	M16	20	105	85	35	8	1.7	12.8	LPJ 4

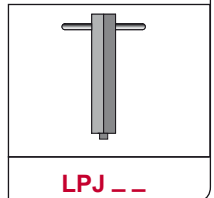


ORDER	M	S (mm)	L1 (mm)	L (mm)	L2 (mm)	Ød (mm)	F <sub>0</sub> (N)	F <sub>1</sub> (N)	Key
MPLJ 3 001	M3	1.5	11.5	10	10	1.1	0.5	1	---
MPLJ 3 003	M3	3	18	15	15	1.1	0.3	1	---
MPLJ 4 002	M4	2	17	15	15	1.6	1	2	---
MPLJ 4 004	M4	4	28	24	24	1.6	0.6	2	---
MPLJ 5 003	M5	3	23	20	20	2	2	10	LPJ 1
MPLJ 5 005	M5	5	32	27	27	2	2	10	LPJ 1
MPLJ 6 003	M6	3	28	25	25	2.5	6	10	LPJ 1
MPLJ 6 005	M6	5	35	30	30	2.5	2	10	LPJ 1
MPLJ 8 003	M8	3	28	25	25	3.1	6	10	LPJ 2
MPLJ 8 005	M8	5	32	27	27	3.1	3	10	LPJ 2
MPLJ 10 005	M10	5	35	30	30	3.8	6	15	LPJ 2
MPLJ 10 010	M10	10	53	43	30	3.8	3	15	LPJ 2
MPLJ 12 005	M12	5	35	30	30	5.5	6	15	LPJ 3
MPLJ 12 010	M12	10	53	43	35	5.5	3	20	LPJ 3
MPLJ 12 015	M12	15	66	51	35	5.5	3	20	LPJ 3
MPLJ 16 010	M16	10	70	60	35	8	6	40	LPJ 4
MPLJ 16 015	M16	15	75	60	35	8	4	40	LPJ 4
MPLJ 16 020	M16	20	105	85	35	8	5	40	LPJ 4
MPLJ 16 030	M16	30	155	125	35	8	3	40	LPJ 4
MPLJ 20 015	M20	15	75	60	45	10	13	80	LPJ 5
MPLJ 24 015	M24	15	75	60	45	10	20	98	LPJ 5

ENG ORDER  
DEU BESTELL  
FRA COMMANDE  
ITA ORDINE  
ESP PEDIDO  
POR PEDIDO

**MPLJ M24 15**

**MPLJ 24 015**



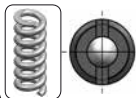
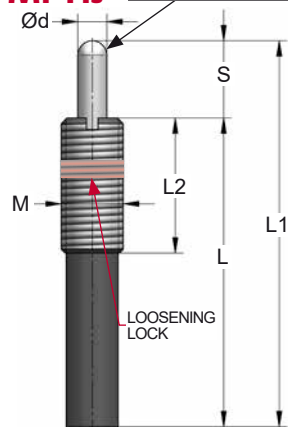
# MPHJ / MPXJ

Spring Plungers



## MPHJ

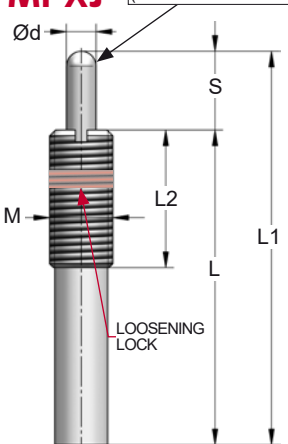
POM (POLYOXYMETHYLENE)



ORDER	M	S (mm)	L1 (mm)	L (mm)	L2 (mm)	Ød (mm)	F <sub>0</sub> (N)	F <sub>1</sub> (N)	Key
MPHJ 3 001	M3	1.5	11.5	10	10	1.1	0.8	3	---
MPHJ 3 003	M3	3	18	15	15	1.1	0.8	3	---
MPHJ 4 002	M4	2	17	15	15	1.6	3	9	---
MPHJ 4 004	M4	4	28	24	24	1.6	2	9	---
MPHJ 5 003	M5	3	23	20	20	2	5	20	LPJ 1
MPHJ 5 005	M5	5	32	27	27	2	3	20	LPJ 1
MPHJ 6 003	M6	3	28	25	25	2.5	8	30	LPJ 1
MPHJ 6 005	M6	5	35	30	30	2.5	5	30	LPJ 1
MPHJ 8 003	M8	3	28	25	25	3.1	15	30	LPJ 2
MPHJ 8 005	M8	5	32	27	27	3.1	8	30	LPJ 2
MPHJ 10 005	M10	5	35	30	30	3.8	9	50	LPJ 2
MPHJ 10 010	M10	10	53	43	30	3.8	8	50	LPJ 2
MPHJ 12 005	M12	5	35	30	30	5.5	19	50	LPJ 3
MPHJ 12 010	M12	10	53	43	35	5.5	8	50	LPJ 3
MPHJ 12 015	M12	15	66	51	35	5.5	5	50	LPJ 3
MPHJ 16 010	M16	10	70	60	35	8	13	80	LPJ 4
MPHJ 16 015	M16	15	75	60	35	8	13	80	LPJ 4
MPHJ 16 020	M16	20	105	85	35	8	10	80	LPJ 4
MPHJ 16 030	M16	30	155	125	35	8	7	80	LPJ 4
MPHJ 20 015	M20	15	75	60	45	10	25	150	LPJ 5
MPHJ 24 015	M24	15	75	60	45	10	47	216	LPJ 5

## MPXJ

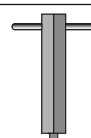
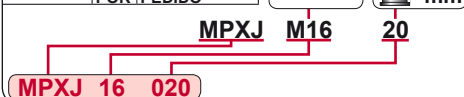
POM (POLYOXYMETHYLENE)



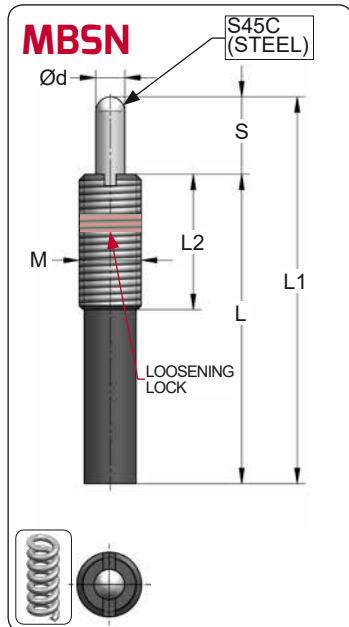
ORDER	M	S (mm)	L1 (mm)	L (mm)	L2 (mm)	Ød (mm)	F <sub>0</sub> (N)	F <sub>1</sub> (N)	Key
MPXJ 3 001	M3	1.5	16.5	15	15	1.1	2	5	---
MPXJ 3 003	M3	3	23	20	20	1.1	2	5	---
MPXJ 4 002	M4	2	26	24	24	1.6	5	13	---
MPXJ 4 004	M4	4	28	24	24	1.6	5	13	---
MPXJ 5 003	M5	3	30	27	27	2	9	25	LPJ 1
MPXJ 5 005	M5	5	44	39	39	2	9	25	LPJ 1
MPXJ 6 003	M6	3	33	30	30	2.5	14	39	LPJ 1
MPXJ 6 005	M6	5	41	36	36	2.5	14	39	LPJ 1
MPXJ 8 003	M8	3	30	27	27	3.1	15	41	LPJ 2
MPXJ 8 005	M8	5	40	35	30	3.1	15	41	LPJ 2
MPXJ 10 005	M10	5	40	35	30	3.8	16	63	LPJ 2
MPXJ 10 010	M10	10	63	53	30	3.8	13	63	LPJ 2
MPXJ 12 005	M12	5	48	43	35	5.5	37	98	LPJ 3
MPXJ 12 010	M12	10	68	58	35	5.5	15	98	LPJ 3
MPXJ 12 015	M12	15	93	78	35	5.5	15	98	LPJ 3
MPXJ 16 010	M16	10	70	60	35	8	24	147	LPJ 4
MPXJ 16 015	M16	15	85	70	35	8	22	147	LPJ 4
MPXJ 16 020	M16	20	110	90	35	8	13	147	LPJ 4



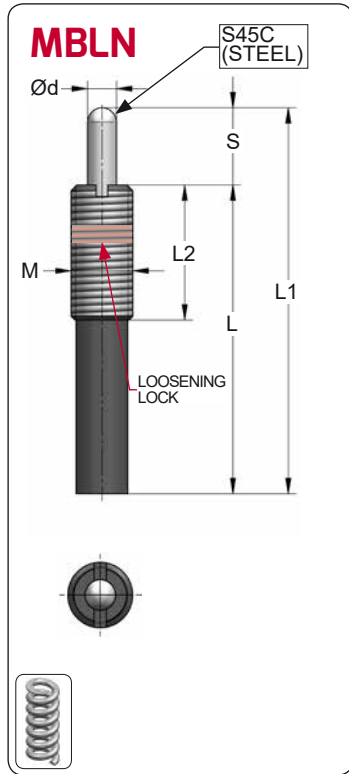
ENG ORDER  
DEU BESTELL  
FRA COMMANDE  
ITA ORDINE  
ESP PEDIDO  
POR PEDIDO



LPJ \_\_



ORDER	M	S (mm)	L1 (mm)	L (mm)	L2 (mm)	Ød (mm)	F <sub>0</sub> (N)	F <sub>1</sub> (N)	Key
MBSN 5 003	M5	3	23	20	20	2	0.74	2.95	LPJ 1
MBSN 5 005	M5	5	32	27	27	2	0.72	2.95	LPJ 1
MBSN 6 003	M6	3	28	25	25	2.5	0.85	3.2	LPJ 1
MBSN 6 005	M6	5	35	30	30	2.5	0.85	3.2	LPJ 1
MBSN 8 003	M8	3	28	25	25	3.1	0.9	3.3	LPJ 2
MBSN 8 005	M8	5	32	27	27	3.1	0.9	3.3	LPJ 2
MBSN 10 005	M10	5	35	30	30	3.8	1.9	4.7	LPJ 2
MBSN 10 010	M10	10	53	43	30	3.8	1.7	4.7	LPJ 2
MBSN 12 005	M12	5	35	30	30	5.5	1.5	4.7	LPJ 3
MBSN 12 010	M12	10	53	43	35	5.5	1.3	5.9	LPJ 3
MBSN 12 015	M12	15	66	51	35	5.5	1.6	5.9	LPJ 3
MBSN 16 010	M16	10	70	60	35	8	1.7	12.8	LPJ 4
MBSN 16 015	M16	15	75	60	35	8	1.7	12.8	LPJ 4
MBSN 16 020	M16	20	105	85	35	8	1.7	12.8	LPJ 4



ORDER	M	S (mm)	L1 (mm)	L (mm)	L2 (mm)	Ød (mm)	F <sub>0</sub> (N)	F <sub>1</sub> (N)	Key
MBLN 5 003	M5	3	23	20	20	2	2	10	LPJ 1
MBLN 5 005	M5	5	32	27	27	2	2	10	LPJ 1
MBLN 6 003	M6	3	28	25	25	2.5	6	10	LPJ 1
MBLN 6 005	M6	5	35	30	30	2.5	2	10	LPJ 1
MBLN 8 003	M8	3	28	25	25	3.1	6	10	LPJ 2
MBLN 8 005	M8	5	32	27	27	3.1	3	10	LPJ 2
MBLN 10 005	M10	5	35	30	30	3.8	6	15	LPJ 2
MBLN 10 010	M10	10	53	43	30	3.8	3	15	LPJ 2
MBLN 12 005	M12	5	35	30	30	5.5	6	15	LPJ 3
MBLN 12 010	M12	10	53	43	35	5.5	3	20	LPJ 3
MBLN 12 015	M12	15	66	51	35	5.5	3	20	LPJ 3
MBLN 16 010	M16	10	70	60	35	8	6	40	LPJ 4
MBLN 16 015	M16	15	75	60	35	8	4	40	LPJ 4
MBLN 16 020	M16	20	105	85	35	8	5	40	LPJ 4

ENG ORDER  
DEU BESTELL  
FRA COMMANDE  
ITA ORDINE  
ESP PEDIDO  
POR PEDIDO

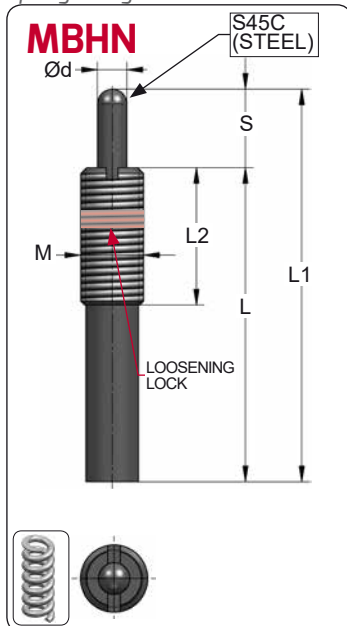
**MBLN M16 20**

**MBLN 16 020**
**LPJ \_\_**

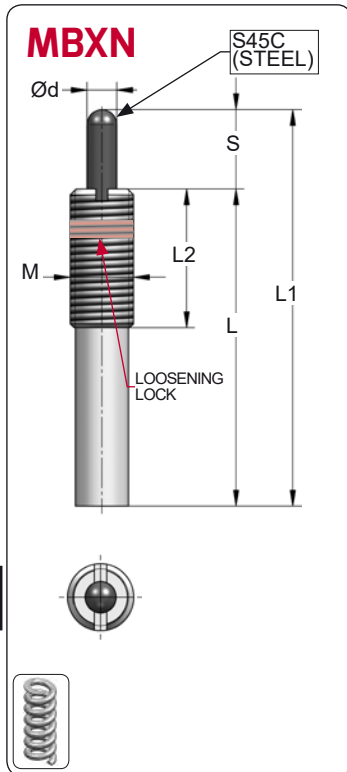
# MBHN / MBXN

Spring Plungers

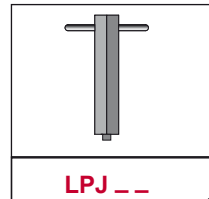
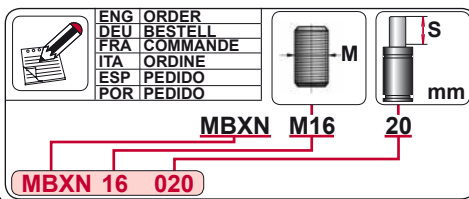
**AZOL**  
**GAS**



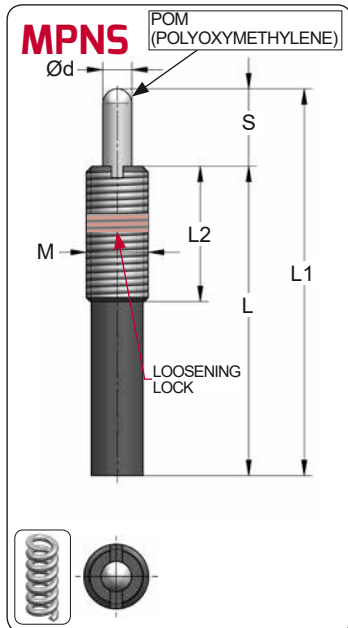
ORDER	M	S (mm)	L1 (mm)	L (mm)	L2 (mm)	Ød (mm)	F <sub>0</sub> (N)	F <sub>1</sub> (N)	Key
MBHN 5 003	M5	3	23	20	20	2	5	20	LPJ 1
MBHN 5 005	M5	5	32	27	27	2	3	20	LPJ 1
MBHN 6 003	M6	3	28	25	25	2.5	8	30	LPJ 1
MBHN 6 005	M6	5	35	30	30	2.5	5	30	LPJ 1
MBHN 8 003	M8	3	28	25	25	3.1	15	30	LPJ 2
MBHN 8 005	M8	5	32	27	27	3.1	8	30	LPJ 2
MBHN 10 005	M10	5	35	30	30	3.8	9	50	LPJ 2
MBHN 10 010	M10	10	53	43	30	3.8	8	50	LPJ 2
MBHN 12 005	M12	5	35	30	30	5.5	19	50	LPJ 3
MBHN 12 010	M12	10	53	43	35	5.5	8	50	LPJ 3
MBHN 12 015	M12	15	66	51	35	5.5	5	50	LPJ 3
MBHN 16 010	M16	10	70	60	35	8	13	80	LPJ 4
MBHN 16 015	M16	15	75	60	35	8	13	80	LPJ 4
MBHN 16 020	M16	20	105	85	35	8	10	80	LPJ 4



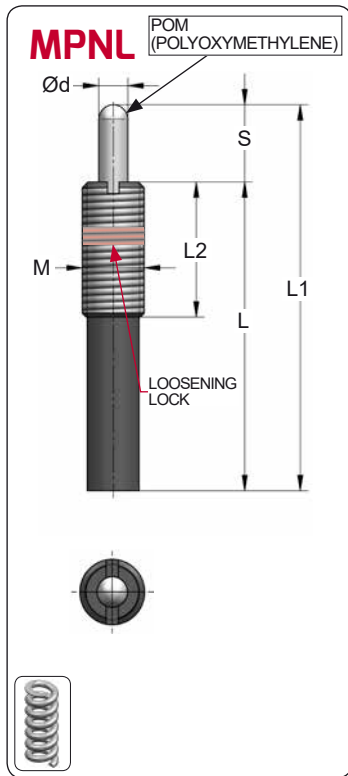
ORDER	M	S (mm)	L1 (mm)	L (mm)	L2 (mm)	Ød (mm)	F <sub>0</sub> (N)	F <sub>1</sub> (N)	Key
MBXN 5 003	M5	3	30	27	27	2	9	25	LPJ 1
MBXN 5 005	M5	5	44	39	39	2	9	25	LPJ 1
MBXN 6 003	M6	3	33	30	30	2.5	14	39	LPJ 1
MBXN 6 005	M6	5	41	36	36	2.5	14	39	LPJ 1
MBXN 8 003	M8	3	30	27	27	3.1	15	41	LPJ 2
MBXN 8 005	M8	5	40	35	30	3.1	15	41	LPJ 2
MBXN 10 005	M10	5	40	35	30	3.8	16	63	LPJ 2
MBXN 10 010	M10	10	63	53	30	3.8	13	63	LPJ 2
MBXN 12 005	M12	5	48	43	35	5.5	37	98	LPJ 3
MBXN 12 010	M12	10	68	58	35	5.5	15	98	LPJ 3
MBXN 12 015	M12	15	93	78	35	5.5	15	98	LPJ 3
MBXN 16 010	M16	10	70	60	35	8	24	147	LPJ 4
MBXN 16 015	M16	15	85	70	35	8	22	147	LPJ 4
MBXN 16 020	M16	20	110	90	35	8	13	147	LPJ 4







ORDER	M	S (mm)	L1 (mm)	L (mm)	L2 (mm)	Ød (mm)	F <sub>0</sub> (N)	F <sub>1</sub> (N)	Key
MPNS 5 003	M5	3	23	20	20	2	0.74	2.95	LPJ 1
MPNS 5 005	M5	5	32	27	27	2	0.72	2.95	LPJ 1
MPNS 6 003	M6	3	28	25	25	2.5	0.85	3.2	LPJ 1
MPNS 6 005	M6	5	35	30	30	2.5	0.85	3.2	LPJ 1
MPNS 8 003	M8	3	28	25	25	3.1	0.9	3.3	LPJ 2
MPNS 8 005	M8	5	32	27	27	3.1	0.9	3.3	LPJ 2
MPNS 10 005	M10	5	35	30	30	3.8	1.9	4.7	LPJ 2
MPNS 10 010	M10	10	53	43	30	3.8	1.7	4.7	LPJ 2
MPNS 12 005	M12	5	35	30	30	5.5	1.5	4.7	LPJ 3
MPNS 12 010	M12	10	53	43	35	5.5	1.3	5.9	LPJ 3
MPNS 12 015	M12	15	66	51	35	5.5	1.6	5.9	LPJ 3
MPNS 16 010	M16	10	70	60	35	8	1.7	12.8	LPJ 4
MPNS 16 015	M16	15	75	60	35	8	1.7	12.8	LPJ 4
MPNS 16 020	M16	20	105	85	35	8	1.7	12.8	LPJ 4

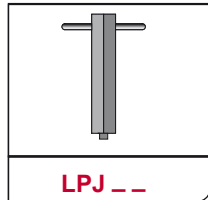


ORDER	M	S (mm)	L1 (mm)	L (mm)	L2 (mm)	Ød (mm)	F <sub>0</sub> (N)	F <sub>1</sub> (N)	Key
MPNL 5 003	M5	3	23	20	20	2	2	10	LPJ 1
MPNL 5 005	M5	5	32	27	27	2	2	10	LPJ 1
MPNL 6 003	M6	3	28	25	25	2.5	6	10	LPJ 1
MPNL 6 005	M6	5	35	30	30	2.5	2	10	LPJ 1
MPNL 8 003	M8	3	28	25	25	3.1	6	10	LPJ 2
MPNL 8 005	M8	5	32	27	27	3.1	3	10	LPJ 2
MPNL 10 005	M10	5	35	30	30	3.8	6	15	LPJ 2
MPNL 10 010	M10	10	53	43	30	3.8	3	15	LPJ 2
MPNL 12 005	M12	5	35	30	30	5.5	6	15	LPJ 3
MPNL 12 010	M12	10	53	43	35	5.5	3	20	LPJ 3
MPNL 12 015	M12	15	66	51	35	5.5	3	20	LPJ 3
MPNL 16 010	M16	10	70	60	35	8	6	40	LPJ 4
MPNL 16 015	M16	15	75	60	35	8	4	40	LPJ 4
MPNL 16 020	M16	20	105	85	35	8	5	40	LPJ 4

ENG ORDER  
DEU BESTELL  
FRA COMMANDE  
ITA ORDINE  
ESP PEDIDO  
POR PEDIDO

**MPNL M16 20**

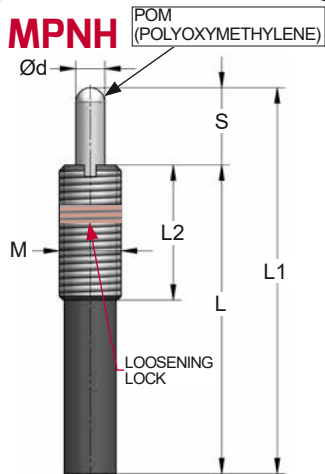
MPNL 16 020



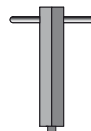
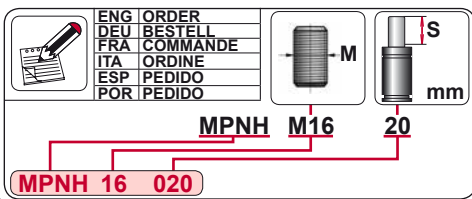
# MPNH

Spring Plungers

**AZOL**  
**GAS**



ORDER	M	S (mm)	L1 (mm)	L (mm)	L2 (mm)	Ød (mm)	F <sub>0</sub> (N)	F <sub>1</sub> (N)	Key
MPNH 5 003	M5	3	23	20	20	2	5	20	LPJ 1
MPNH 5 005	M5	5	32	27	27	2	3	20	LPJ 1
MPNH 6 003	M6	3	28	25	25	2.5	8	30	LPJ 1
MPNH 6 005	M6	5	35	30	30	2.5	5	30	LPJ 1
MPNH 8 003	M8	3	28	25	25	3.1	15	30	LPJ 2
MPNH 8 005	M8	5	32	27	27	3.1	8	30	LPJ 2
MPNH 10 005	M10	5	35	30	30	3.8	9	50	LPJ 2
MPNH 10 010	M10	10	53	43	30	3.8	8	50	LPJ 2
MPNH 12 005	M12	5	35	30	30	5.5	19	50	LPJ 3
MPNH 12 010	M12	10	53	43	35	5.5	8	50	LPJ 3
MPNH 12 015	M12	15	66	51	35	5.5	5	50	LPJ 3
MPNH 16 010	M16	10	70	60	35	8	13	80	LPJ 4
MPNH 16 015	M16	15	75	60	35	8	13	80	LPJ 4
MPNH 16 020	M16	20	105	85	35	8	10	80	LPJ 4



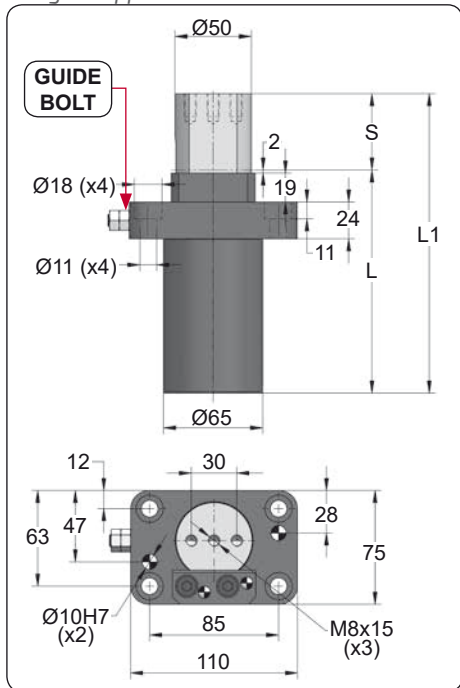
LPJ \_\_



# EXU

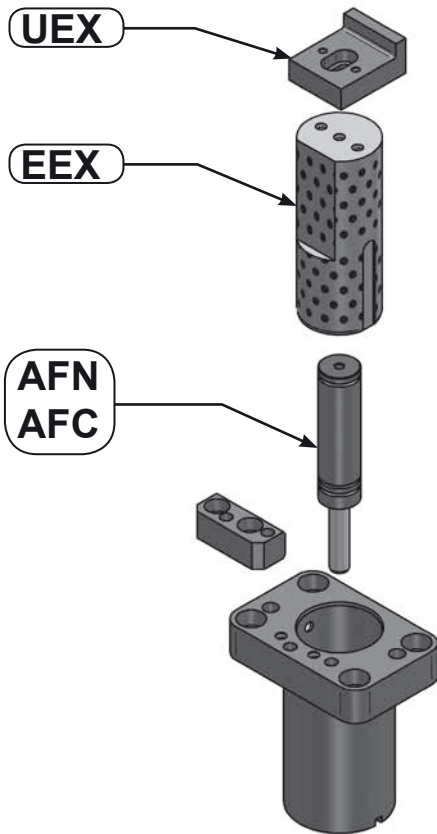
Flange Strippers



ORDER	S (mm)	L1 $\pm 0,25$ (mm)	L (mm)	Kg.
EXU ... 050	50	196	146	4.15
EXU ... 080	80	256	176	5.01
EXU ... 100	100	296	196	5.41

## SPARE PARTS



CODE	COLOR	Pressure		$F_0$	$F_1$
		bar	psi	daN	daN
EXU 50 050	Green	45	650	50	75
EXU 100 050	Blue	90	1305	100	155
EXU 150 050	Red	135	1960	150	230
EXU 200 050	Yellow	180	2610	200	305

ENG ORDER  
 DEU BESTELL  
 FRA COMMANDE  
 ITA ORDINE  
 ESP PEDIDO  
 POR PEDIDO

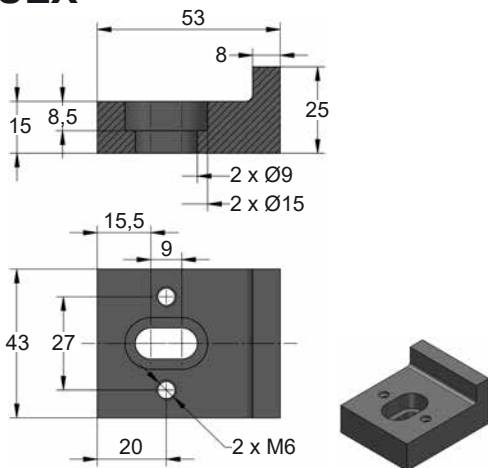
$F_0$  daN  
 $S$  mm

EXU 200 50  
 EXU 200 050

N <sub>2</sub>	Smax < 90%	Vmax 1,6 m/s	bar psi 20 290    bar psi 180 2610	°C °F 0 32    °C °F 80 176	

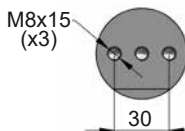
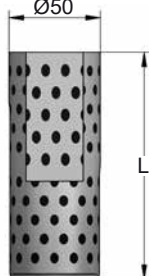
N <sub>2</sub>	Smax < 90%	Vmax 1,6 m/s	bar psi 20 290    bar psi 180 2610	°C °F 0 32    °C °F 80 176	
----------------	------------	--------------	--	----------------------------------	--

**UEX**

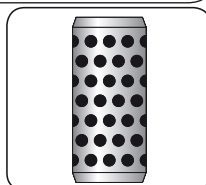
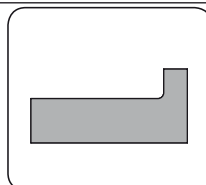
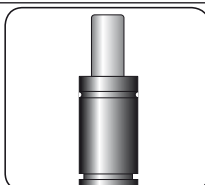
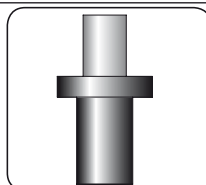
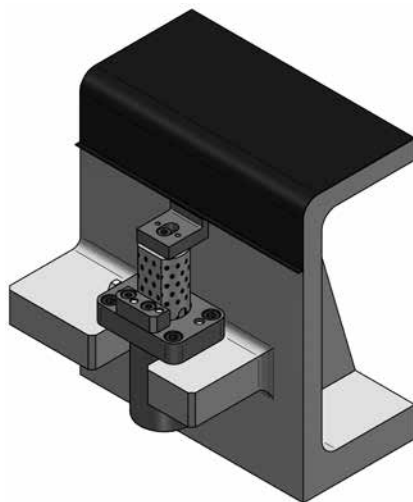
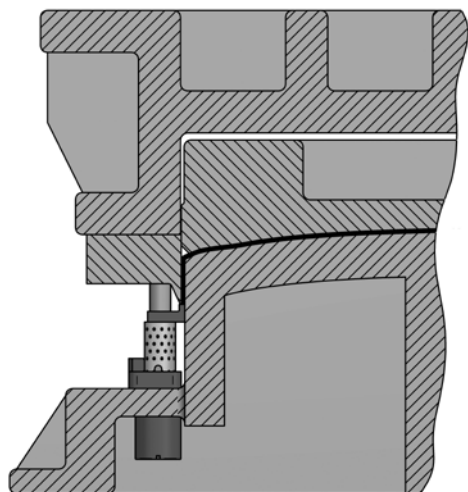


**EEX-**

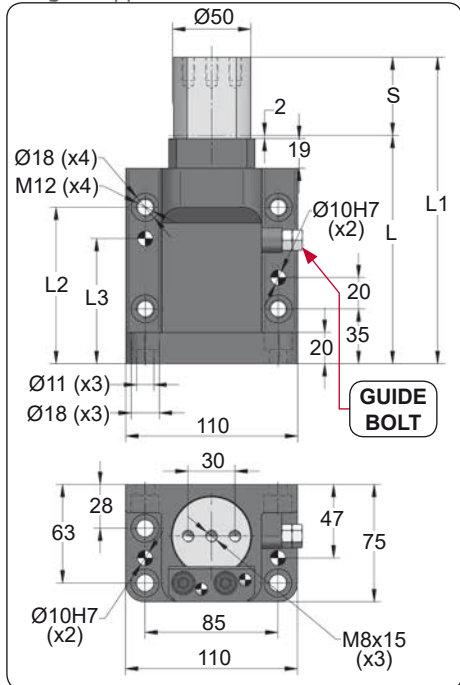
Serial Number



ORDER	S (mm)	L (mm)
EEX-050	50	125
EEX-080	80	155
EEX-100	100	175

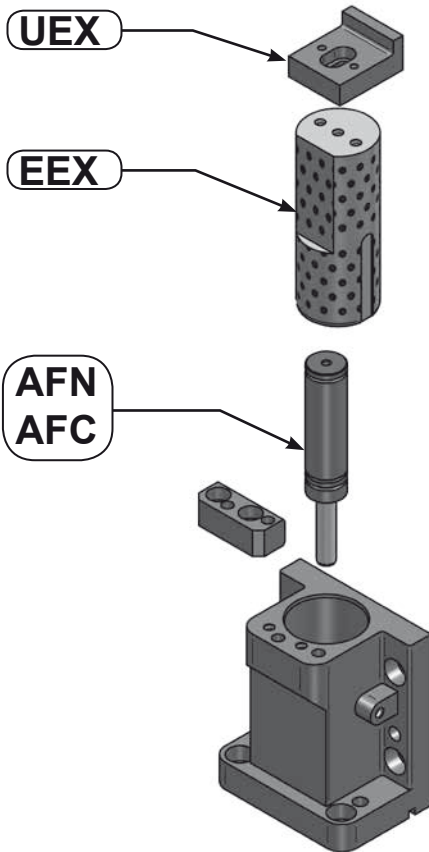


CODE	EXU 200 050	AFN 200 050 AFC 200 100	UEX	EEX-050- Serial Number	
ENG	ORDER	FLANGE STRIPPER	GAS SPRING	CAP	ROD
DEU	BESTELL	ABSTREIFER	GASDRUCKFEDER	ADAPTER	KOLBENSTANGE
FRA	COMMANDE	EXTRACTEUR	RESSORT À GAZ	LAME D'EXTRACTION	TIGE
ITA	ORDINE	ESTRATTORE	CILINDRO AD AZOTO	ADATTATORE	STELO
ESP	PEDIDO	EXTRACTOR	RESORTE DE GAS	UNA	EJE
POR	PEDIDO	LEVANTADOR	CILINDRO DE GAS	ADAPTADOR	HASTE

ORDER	S (mm)	L1 $\pm 0,25$ (mm)	L (mm)	L2 (mm)	L3 (mm)	Kg.
EXY ... 050	50	196	146	100	80	5.47
EXY ... 080	80	256	176	130	110	6.83
EXY ... 100	100	296	196	150	130	7.56

### SPARE PARTS

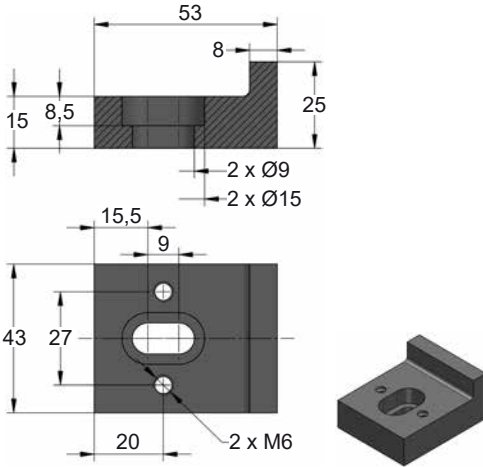


CODE	COLOR	Pressure		$F_0$	$F_1$
		bar	psi	daN	daN
EXY 50 050	Green	45	650	50	75
EXY 100 050	Blue	90	1305	100	155
EXY 150 050	Red	135	1960	150	230
EXY 200 050	Yellow	180	2610	200	305

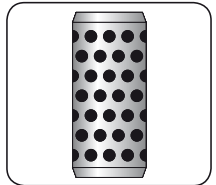
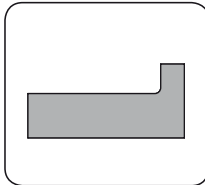
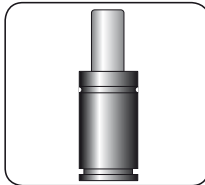
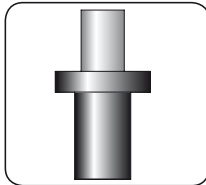
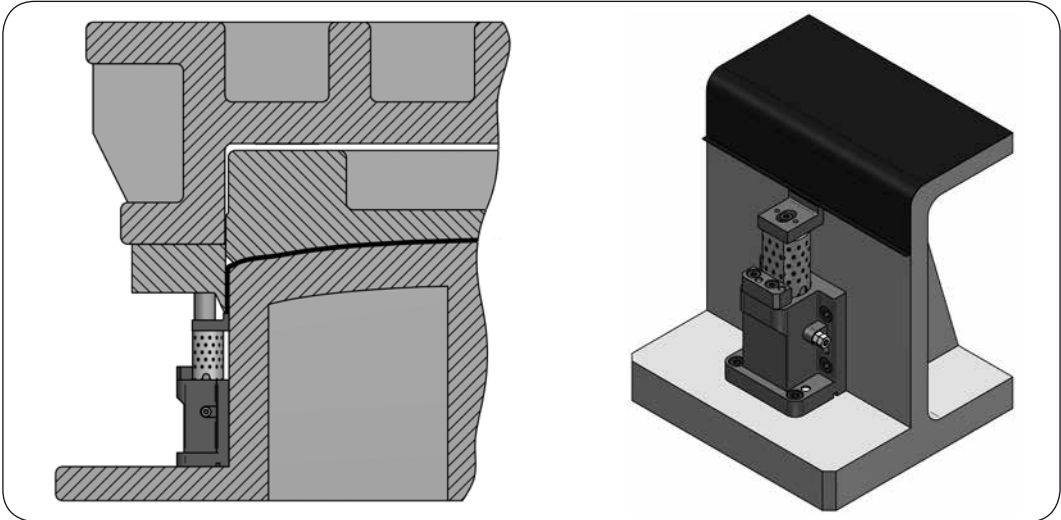
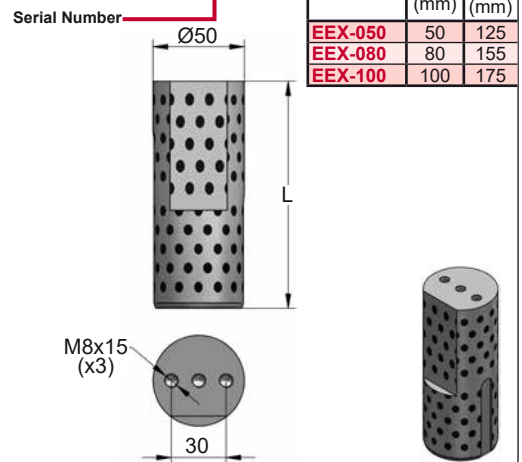
	ENG	ORDER	$F_0$	$S$
	DEU	BESTELL	daN	mm
	FRA	COMMANDE		
	ITA	ORDINE		
	ESP	PEDIDO		
	EXY	200	50	
	EXY	200 050		

N <sub>2</sub>	Smax < 90%	Vmax 1,6 m/s	bar psi 20 290	bar psi 180 2610	°C °F 0 32	°C °F 80 176	

**UEX**



**EEX-**

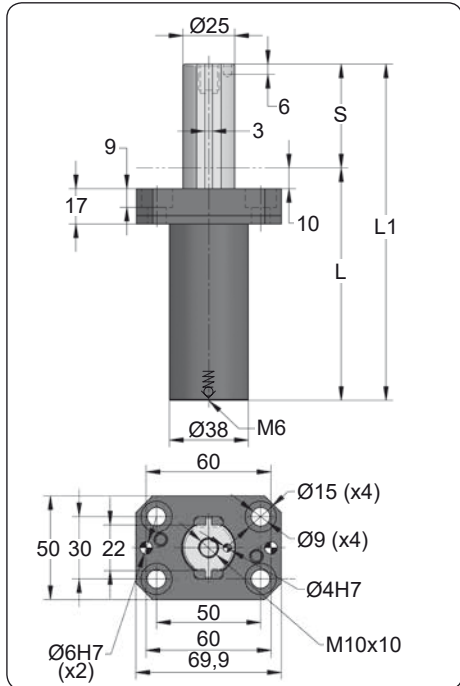


CODE	EXY 200 050	AFN 200 050 AFC 200 100	UEX	EEX-050- Serial Number	
ENG	ORDER	FLANGE STRIPPER	GAS SPRING	CAP	ROD
DEU	BESTELL	ABSTREIFER	GASDRUCKFEDER	ADAPTER	KOLBENSTANGE
FRA	COMMANDE	EXTRACTEUR	RESSORT À GAZ	LAME D'EXTRACTION	TIGE
ITA	ORDINE	ESTRATTORE	CILINDRO AD AZOTO	ADATTATORE	STELO
ESP	PEDIDO	EXTRACTOR	RESORTE DE GAS	UNA	EJE
POR	PEDIDO	LEVANTADOR	CILINDRO DE GAS	ADAPTADOR	HASTE

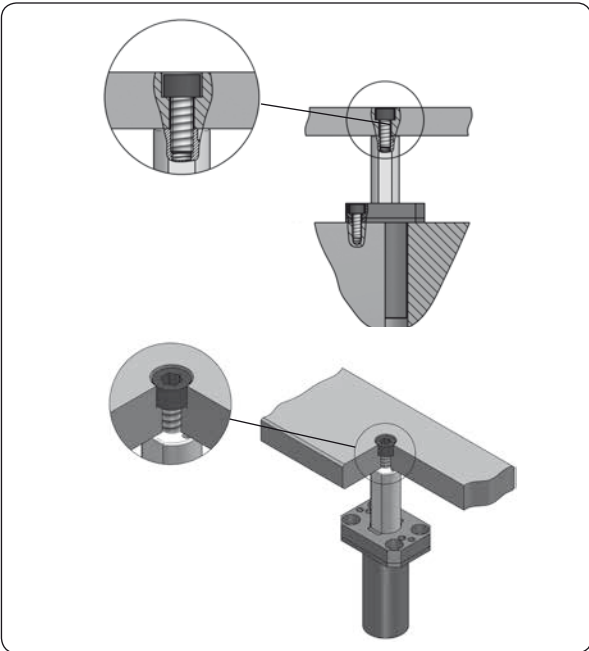
# EXDB 90 V1

Stock Lifters



ORDER	S (mm)	L1 ±0,25 (mm)	L (mm)	Gas Spring	Kg.
EXDB 90 025 V1	25	112	87	AFJ 90 025 V1	0.63
EXDB 90 038 V1	38	138	100	AFJ 90 038 V1	0.69
EXDB 90 050 V1	50	162	112	AFJ 90 050 V1	0.75
EXDB 90 063 V1	63.5	192	128.5	AFJ 90 063 V1	0.82
EXDB 90 080 V1	80	225	145	AFJ 90 080 V1	0.92
EXDB 90 100 V1	100	265	165	AFJ 90 100 V1	1.02
EXDB 90 125 V1	125	315	190	AFJ 90 125 V1	1.15



CODE			$F_0$	$F_1$
	bar	psi	daN	daN
EXDB 90 050 V1	180	2610	90	125

	ENG	ORDER	$F_0$	S
	DEU	BESTELL	daN	mm
	FRA	COMMANDE		
	ITA	ORDINE		
	ESP	PEDIDO		
POR	PEDIDO			
	EXDB	90	50	
	EXDB 90	050 V1		

		EXDB 90 050 V1		AFJ 90 050 V1
ENG	STOCK LIFTER		GAS SPRING	
DEU	TEILEHEBER		GASDRUCKFEDER	
FRA	ELEVATEUR		RESSORT À GAZ	
ITA	SOLLEVATORE		CILINDRO AD AZOTO	
ESP	ELEVADOR		RESORTE DE GAS	
POR	LEVANTADOR		CILINDRO DE GAS	

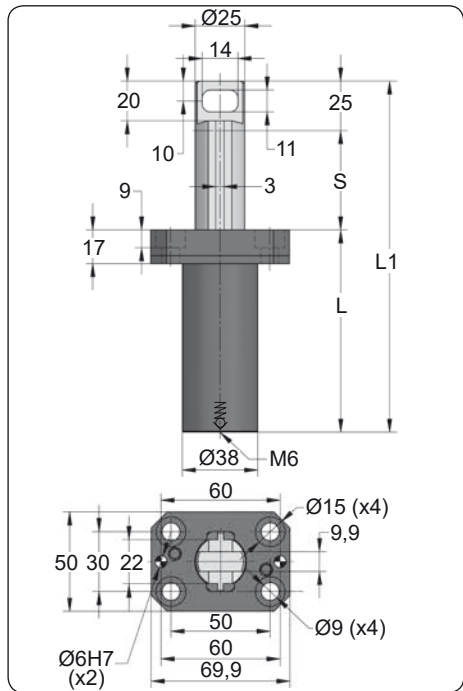
N <sub>2</sub>	Smax < 90%	Vmax 0,8 m/s	Pmin (20°C) Pmax (20°C)	Tmin Tmax	

bar	psi	bar	psi	°C	°F	°C	°F	
20	290	180	2610	0	32	80	176	

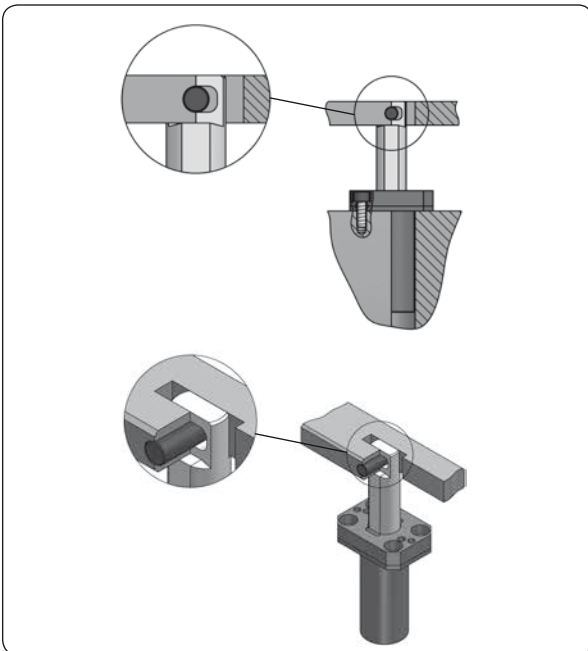


# AZOL GAS EXDN 90 V1

Stock Lifters



ORDER	S (mm)	L1 ±0,25 (mm)	L (mm)	Gas Spring	Kg.
EXDN 90 025 V1	25	127	77	AFJ 90 025 V1	0.64
EXDN 90 038 V1	38	153	90	AFJ 90 038 V1	0.70
EXDN 90 050 V1	50	177	102	AFJ 90 050 V1	0.76
EXDN 90 063 V1	63.5	207	118.5	AFJ 90 063 V1	0.84
EXDN 90 080 V1	80	240	135	AFJ 90 080 V1	0.93
EXDN 90 100 V1	100	280	155	AFJ 90 100 V1	1.03
EXDN 90 125 V1	125	330	180	AFJ 90 125 V1	1.16



CODE			$F_0$	$F_1$
	bar	psi	daN	daN
EXDN 90 050 V1	180	2610	90	125

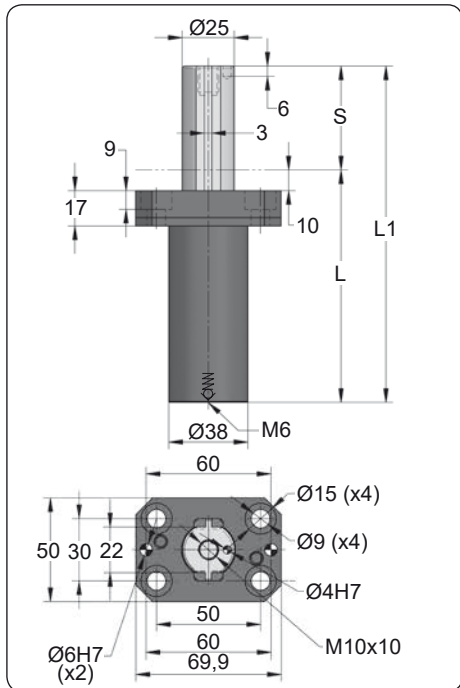
	ENG ORDER DEU BESTELL FRA COMMANDE ITA ORDINE ESP PEDIDO POR PEDIDO	$F_0$	$S$
		daN	mm
	<b>EXDN 90</b>	<b>50</b>	
	<b>EXDN 90 050 V1</b>		

	<b>EXDN 90 050 V1</b>		<b>AFJ 90 050 V1</b>
ENG STOCK LIFTER DEU TEILEHEBER FRA ELEVATEUR ITA SOLLEVATORE ESP ELEVADOR POR LEVANTADOR		GAS SPRING GASDRUCKFEDER RESSORT À GAZ CILINDRO AD AZOTO RESORTE DE GAS CILINDRO DE GAS	

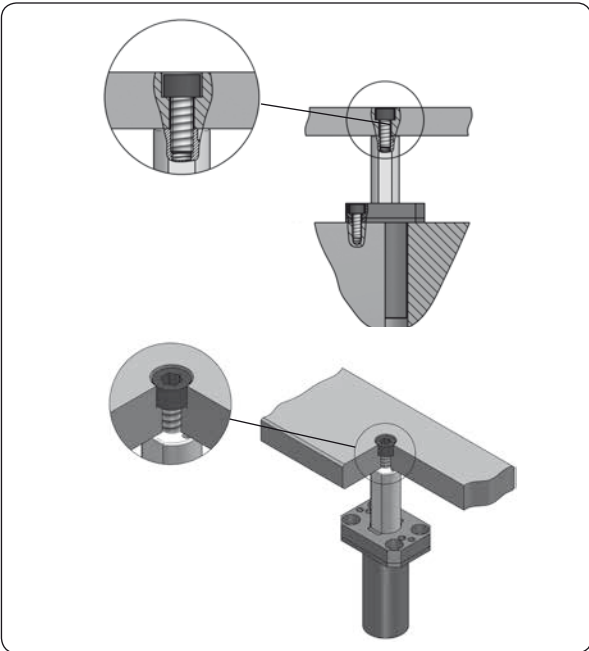
	$S_{max} < 90\%$	$V_{max} 0,8 \text{ m/s}$	$P_{min} (20^\circ\text{C})$	$P_{max} (20^\circ\text{C})$	$T_{min}$	$T_{max}$	
N <sub>2</sub>	S <sub>max</sub> < 90%	V <sub>max</sub> 0,8 m/s	bar psi 20 290	bar psi 180 2610	°C °F 0 32	°C °F 80 176	

# EXDT 170 V1

Stock Lifters



ORDER	S (mm)	L1 ±0,25 (mm)	L (mm)	Gas Spring	Kg.
EXDT 170 025 V1	25	112	87	CW 170 025 V1	0.61
EXDT 170 038 V1	38	138	100	CW 170 038 V1	0.68
EXDT 170 050 V1	50	162	112	CW 170 050 V1	0.75
EXDT 170 063 V1	63	188	125	CW 170 063 V1	0.83
EXDT 170 080 V1	80	225	145	CW 170 080 V1	0.94
EXDT 170 100 V1	100	265	165	CW 170 100 V1	1.05
EXDT 170 125 V1	125	315	190	CW 170 125 V1	1.19



CODE			$F_0$	$F_1$
	bar	psi	daN	daN
EXDT 170 050 V1	180	2610	170	340

	ENG ORDER DEU BESTELL FRA COMMANDE ITA ORDINE ESP PEDIDO POR PEDIDO	$F_0$	S
		daN	mm
	<b>EXDT 170</b>		<b>50</b>
	<b>EXDT 170 050 V1</b>		

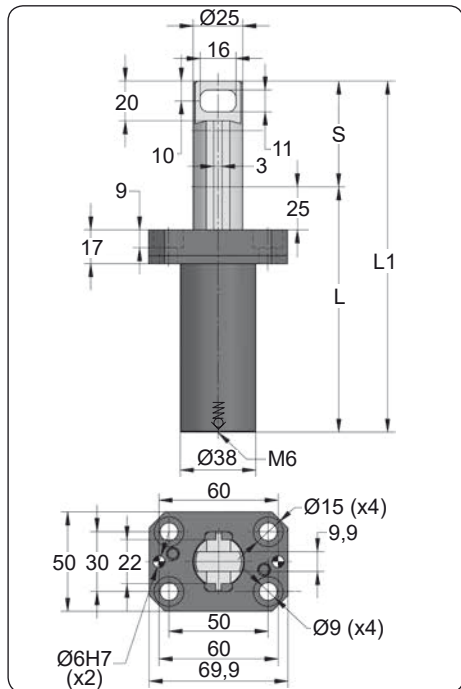
	<b>EXDT 170 050 V1</b>		<b>CW 170 050 V1</b>
ENG STOCK LIFTER DEU TEILEHEBER FRA ELEVATEUR ITA SOLLEVATORE ESP ELEVADOR POR LEVANTADOR		GAS SPRING GASDRÜCKFEDER RESSORT À GAZ CILINDRO AD AZOTO RESORTE DE GAS CILINDRO DE GAS	

N <sub>2</sub>	S <sub>max</sub> < 90%	V <sub>max</sub> 0,8 m/s	P <sub>min</sub> (20°C)	P <sub>max</sub> (20°C)	T <sub>min</sub>	T <sub>max</sub>	

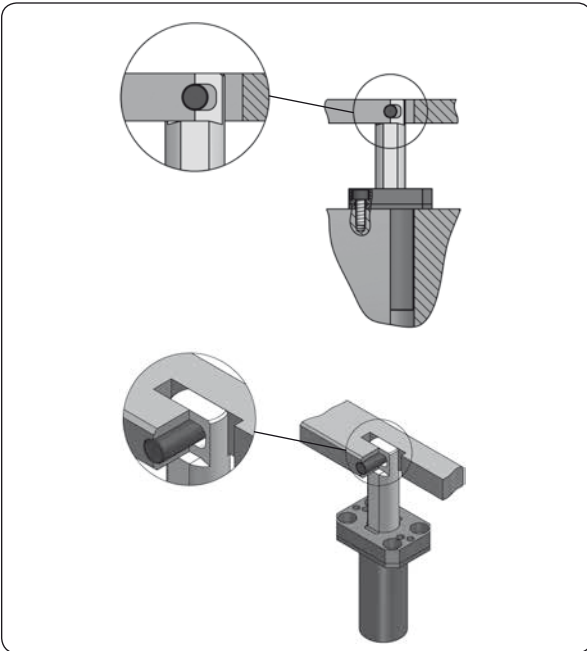
bar	psi	bar	psi	°C	°F	°C	°F	
20	290	180	2610	0	32	80	176	

# AZOL GAS EXDE 170 V1

Stock Lifters



ORDER	S (mm)	L1 ±0,25 (mm)	L (mm)	Gas Spring	Kg.
EXDE 170 025 V1	25	127	102	CW 170 025 V1	0.62
EXDE 170 038 V1	38	153	115	CW 170 038 V1	0.69
EXDE 170 050 V1	50	177	127	CW 170 050 V1	0.76
EXDE 170 063 V1	63	203	140	CW 170 063 V1	0.84
EXDE 170 080 V1	80	240	160	CW 170 080 V1	0.95
EXDE 170 100 V1	100	280	180	CW 170 100 V1	1.06
EXDE 170 125 V1	125	330	205	CW 170 125 V1	1.20



CODE			$F_0$	$F_1$
	bar	psi	daN	daN
EXDE 170 050 V1	180	2610	170	340

	ENG ORDER DEU BESTELL FRA COMMANDE ITA ORDINE ESP PEDIDO POR PEDIDO	$F_0$	$S$
		daN	mm
<b>EXDE 170</b>		<b>50</b>	
<b>EXDE 170 050 V1</b>			

	<b>EXDE 170 050 V1</b>		<b>CW 170 050 V1</b>
ENG STOCK LIFTER DEU TEILEHEBER FRA ELEVATEUR ITA SOLLEVATORE ESP ELEVADOR POR LEVANTADOR		GAS SPRING GASDRÜCKFEDER RESSORT À GAZ CILINDRO AD AZOTO RESORTE DE GAS CILINDRO DE GAS	

	$S_{max} < 100\%$	$v$	$P_{min}$ (20°C)	$P_{max}$ (20°C)	$T_{min}$	$T_{max}$	
--	-------------------	-----	------------------	------------------	-----------	-----------	--

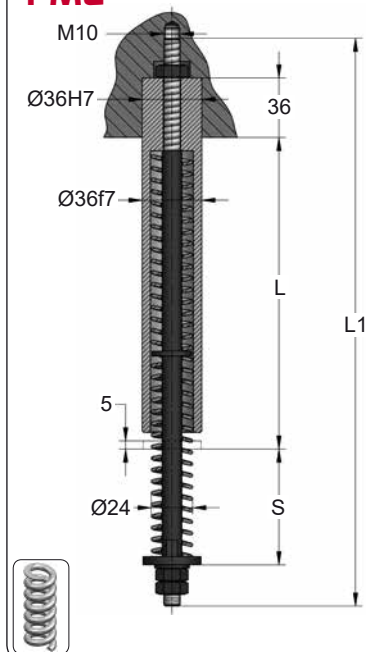
N <sub>2</sub>	S <sub>max</sub> < 90%	V <sub>max</sub> 0,8 m/s	bar psi	bar psi	°C °F	°C °F	
			20 290	180 2610	0 32	80 176	

# PME / PGE

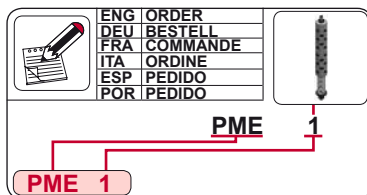
Bolt

**AZOL**  
**GAS**

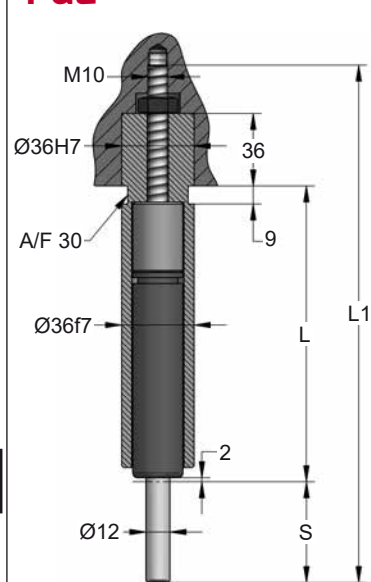
## PME



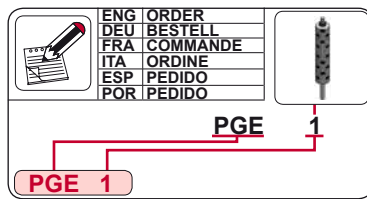
ORDER	S (mm)	L1 (mm)	L (mm)	F <sub>0</sub> (N)	F <sub>1</sub> (N)
PME - 1	50	290	155	117.2	650
PME - 2	50	290	155	185	1030
PME - 3	65	343.5	193.5	94	650
PME - 4	65	343.5	193.5	149	1030
PME - 5	80	392.5	227.5	84.7	650
PME - 6	80	392.5	227.5	134	1030



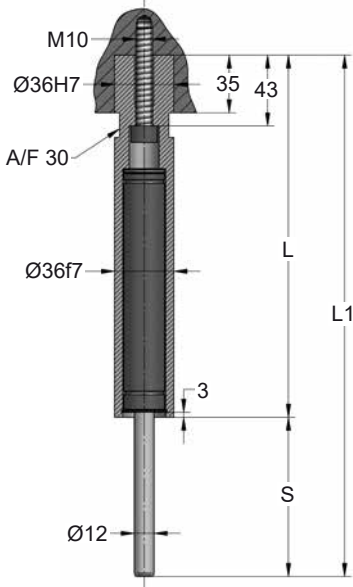
## PGE



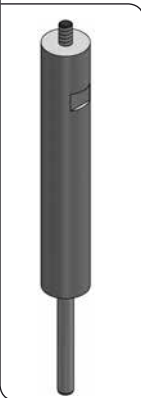
ORDER	S (mm)	L1 (mm)	L (mm)	F <sub>0</sub> (daN)	F <sub>1</sub> (daN)	Gas Spring
PGE - 1	50	257	147	50	65	AF 50 050
PGE - 2	50	257	147	100	125	AF 100 050
PGE - 3	65	310.5	185.5	50	65	AF 50 065
PGE - 4	65	310.5	185.5	100	125	AF 100 065
PGE - 5	80	359.5	218.5	50	65	AF 50 080
PGE - 6	80	359.5	218.5	100	125	AF 100 080



**PGN**



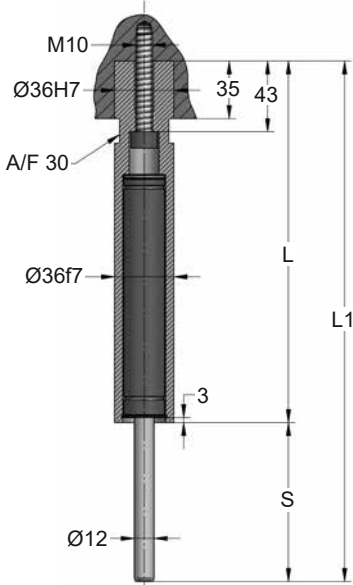
ORDER	S (mm)	L1 (mm)	L (mm)	F <sub>0</sub> (daN)	F <sub>1</sub> (daN)	Gas Spring
<b>PGN - 1</b>	58	240	182	100	155	AFC 100 063
<b>PGN - 2</b>	74	274	200	100	155	AFC 100 080
<b>PGN - 3</b>	94	314	220	100	155	AFC 100 100



	ENG ORDER	
	DEU BESTELL	
	FRA COMMANDE	
	ITA ORDINE	
	ESP PEDIDO	
	POR PEDIDO	

**PGN 1**

**PGH**



ORDER	S (mm)	L1 (mm)	L (mm)	F <sub>0</sub> (daN)	F <sub>1</sub> (daN)	Gas Spring
<b>PGH - 1</b>	58	240	182	100	155	AFC 100 063
<b>PGH - 2</b>	74	274	200	100	155	AFC 100 080
<b>PGH - 3</b>	94	314	220	100	155	AFC 100 100

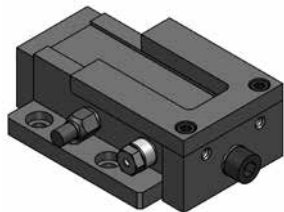


	ENG ORDER	
	DEU BESTELL	
	FRA COMMANDE	
	ITA ORDINE	
	ESP PEDIDO	
	POR PEDIDO	

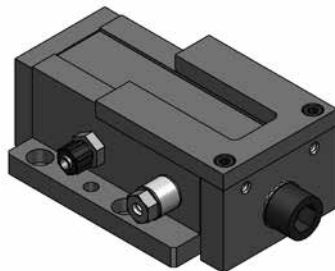
**PGH 1**



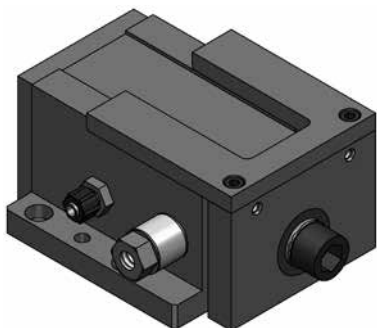
# SP-ER AIR SCRAP REMOVER



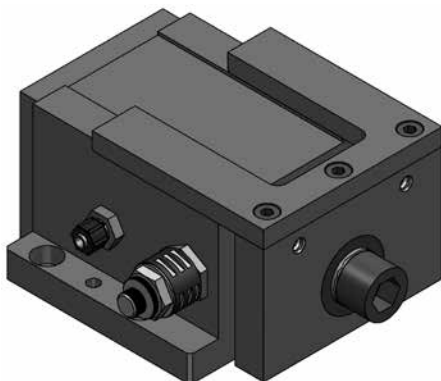
**SP-ER 3**



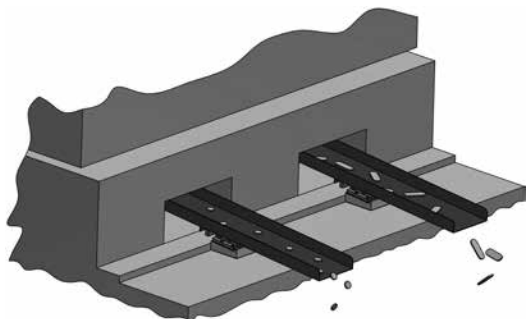
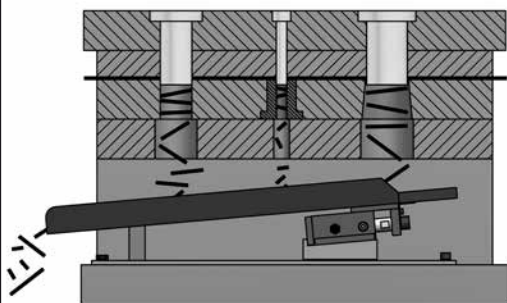
**SP-ER 5**



**SP-ER 7**

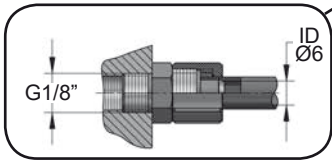
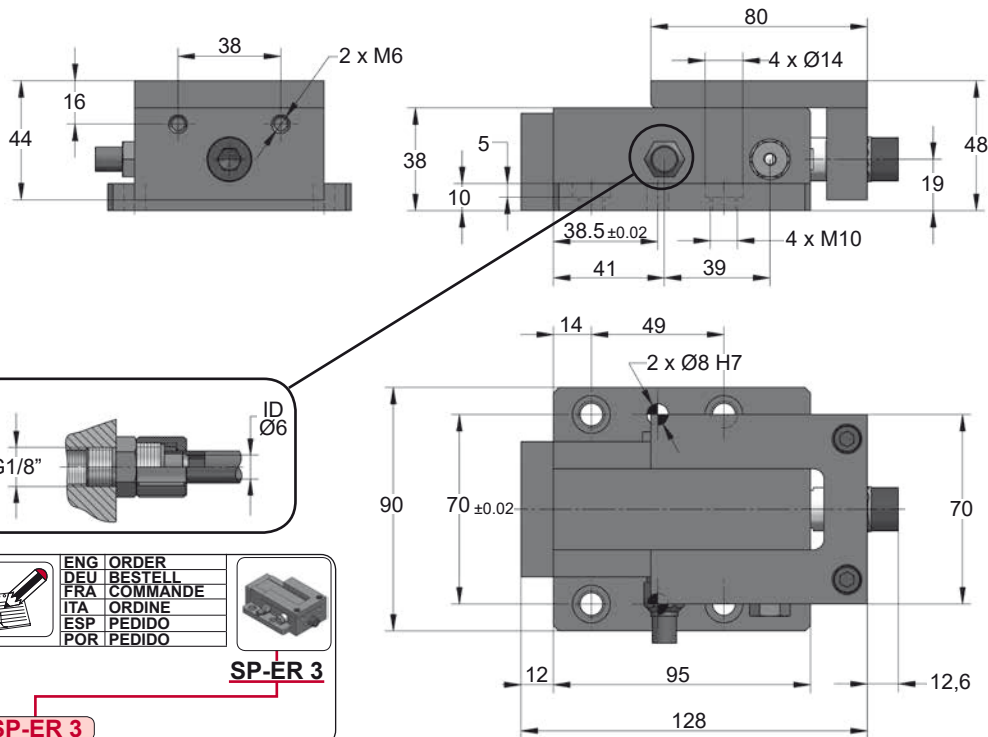


**SP-ER 9**



# SP-ER 3

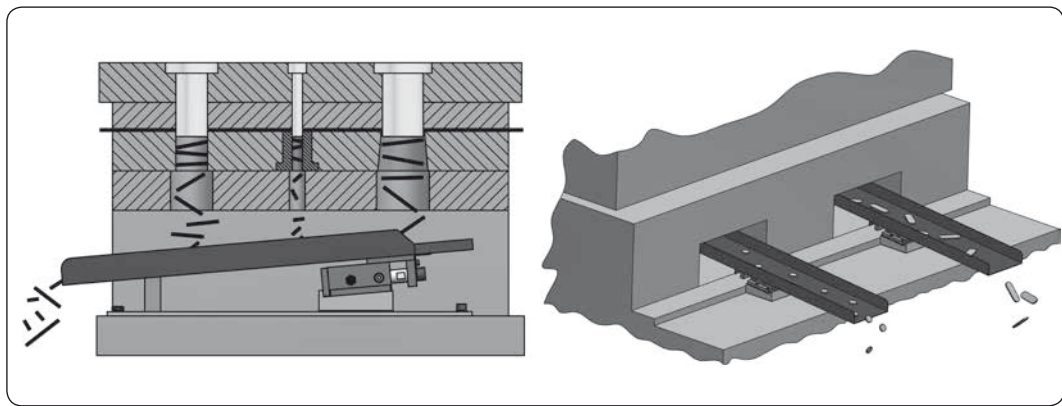
Air Scrap Remover



	ENG ORDER	
	DEU BESTELL	
	FRA COMMANDE	
	ITA ORDINE	
	ESP PEDIDO	
POR PEDIDO		

**SP-ER 3**

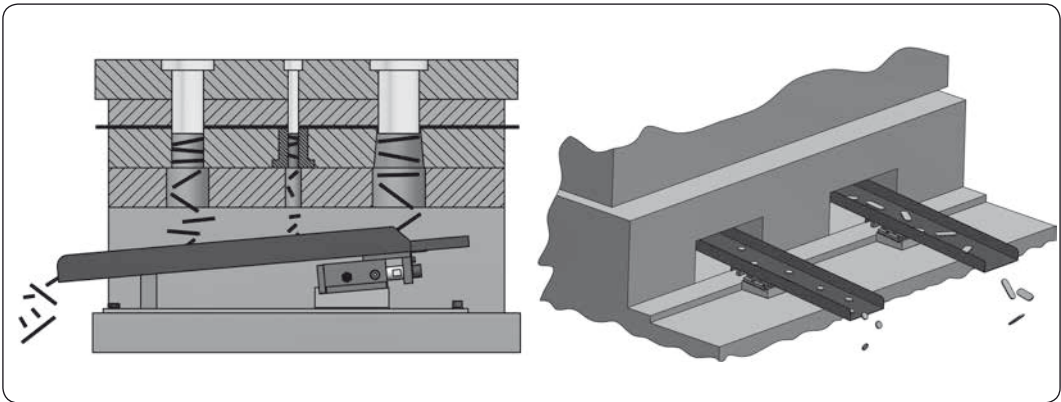
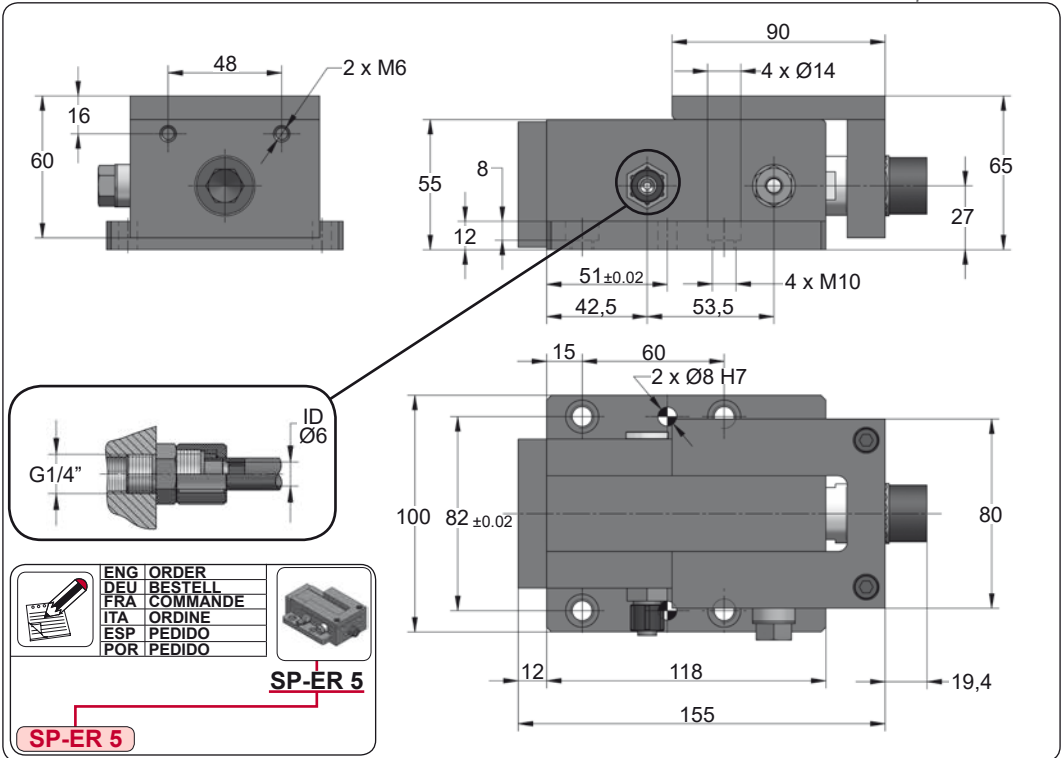
**SP-ER 3**



--	--	--	--	--	--	--	--

<b>AIR</b>	<b>S<sub>max</sub> = 30 mm</b>	<b>∠ min = 6°</b>	<b>P<sub>min</sub></b> bar psi 4 58	<b>P<sub>max</sub></b> bar psi 6 87	<b>T<sub>min</sub></b> °C °F 0 32	<b>T<sub>max</sub></b> °C °F 60 140	<b>Kg.max = 6 Kg.</b>
------------	--------------------------------	-------------------	---	---	---	---	-----------------------



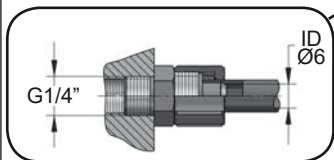
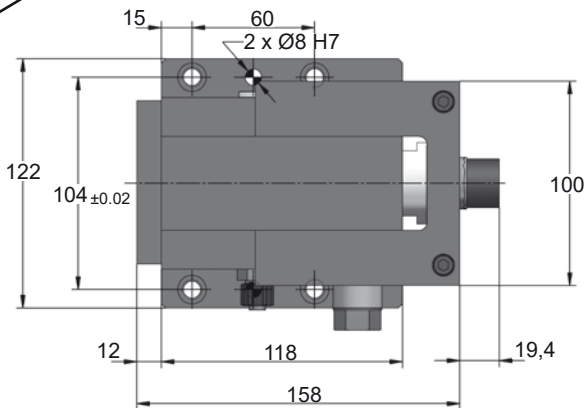
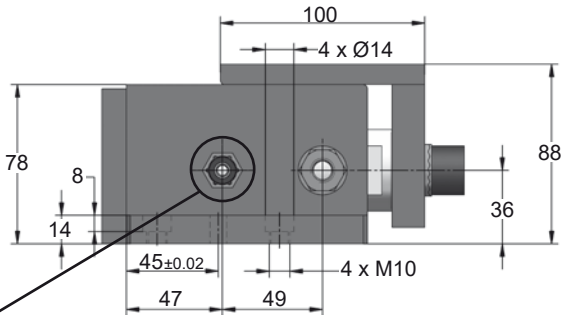
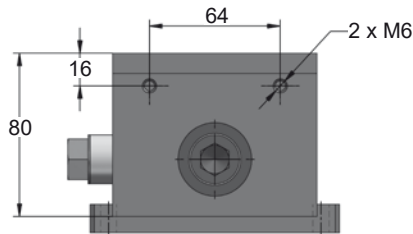


<b>AIR</b>	$S_{max} = 33 \text{ mm}$	$\angle \min = 6^\circ$	<b>Pmin</b> (20°C)	<b>Pmax</b> (20°C)	<b>Tmin</b>	<b>Tmax</b>	<b>Kg.</b>

<b>AIR</b>	$S_{max} = 33 \text{ mm}$	$\angle \min = 6^\circ$	bar psi 4 58	bar psi 6 87	°C °F 0 32	°C °F 60 140	<b>Kg.max = 14 Kg.</b>
------------	---------------------------	-------------------------	-----------------	-----------------	---------------	-----------------	------------------------

# SP-ER 7

Air Scrap Remover

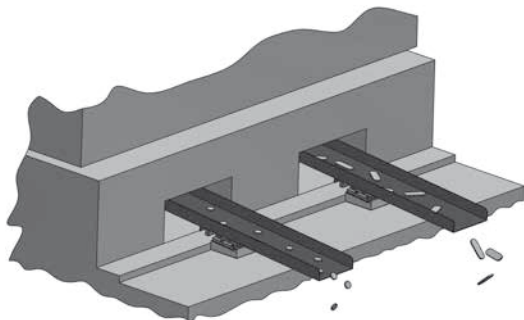
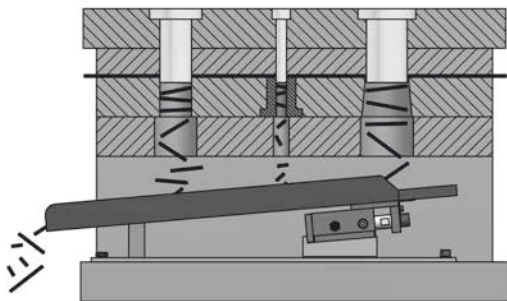


ENG ORDER  
 DEU BESTELL  
 FRA COMMANDE  
 ITA ORDINE  
 ESP PEDIDO  
 POR PEDIDO



**SP-ER 7**

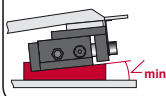
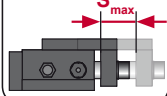
**SP-ER 7**



**AIR**



**S<sub>max</sub>**



**Pmin**  
(20°C)



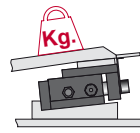
**Pmax**  
(20°C)



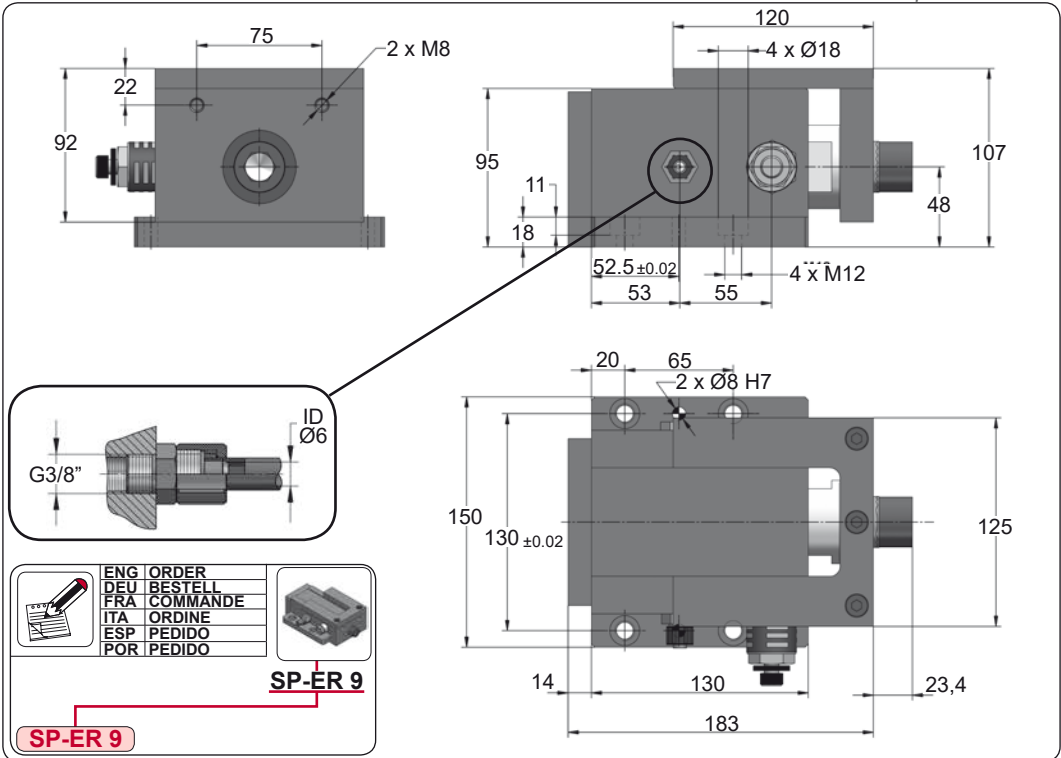
**Tmin**



**Tmax**



<b>AIR</b>	<b>S<sub>max</sub> = 20 mm</b>	<b>∠ min = 6°</b>	<b>bar psi</b> 4 58	<b>bar psi</b> 6 87	<b>°C °F</b> 0 32	<b>°C °F</b> 60 140	<b>Kg.max = 36 Kg.</b>
------------	--------------------------------	-------------------	------------------------	------------------------	----------------------	------------------------	------------------------

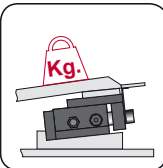
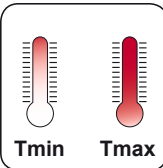
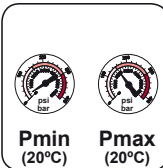
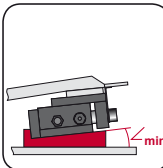
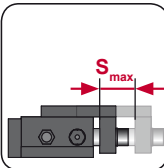
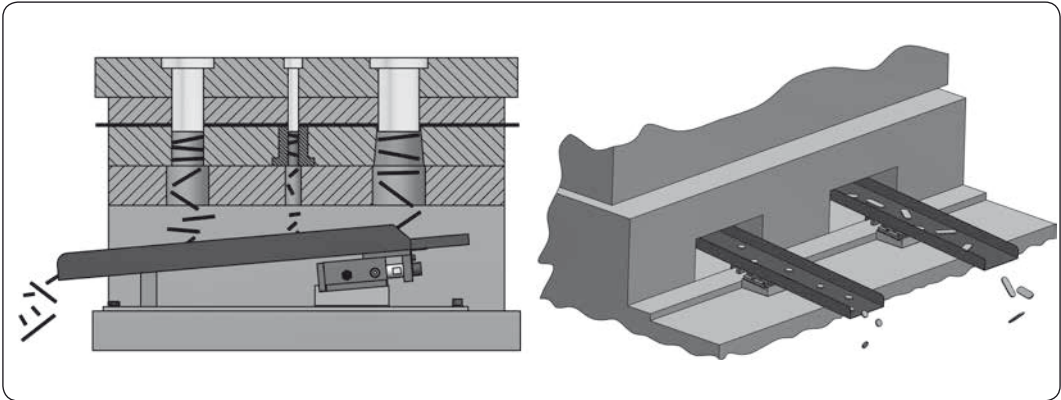


ENG ORDER  
DEU BESTELL  
FRA COMMANDE  
ITA ORDINE  
ESP PEDIDO  
POR PEDIDO



**SP-ER 9**

**SP-ER 9**



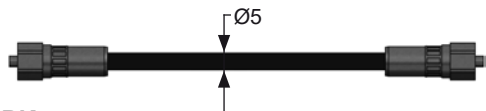
<b>AIR</b>	<b>S<sub>max</sub> = 28 mm</b>	<b>∠ min = 6°</b>	<b>bar psi</b> 4 58	<b>bar psi</b> 6 87	<b>°C °F</b> 0 32	<b>°C °F</b> 60 140	<b>Kg.max = 56 Kg.</b>
------------	--------------------------------	-------------------	------------------------	------------------------	----------------------	------------------------	------------------------





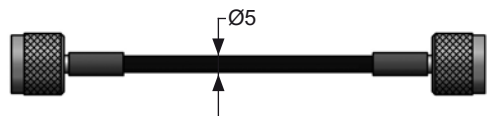
# HOSED SYSTEMS

## M8x1



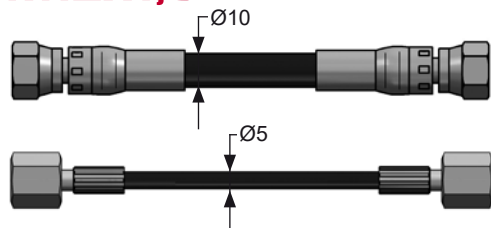
BK

## S12,65x1,5



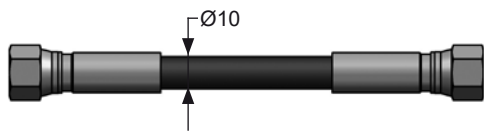
SGS / RGS / PGS / RGR / PGP

## M12x1,5



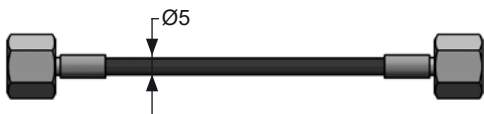
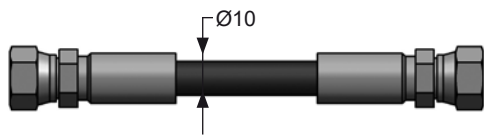
TNRR / TNRL / TNLL / TNRC / TNLC  
HJRR / HJRL / HJLL

## 7/16"

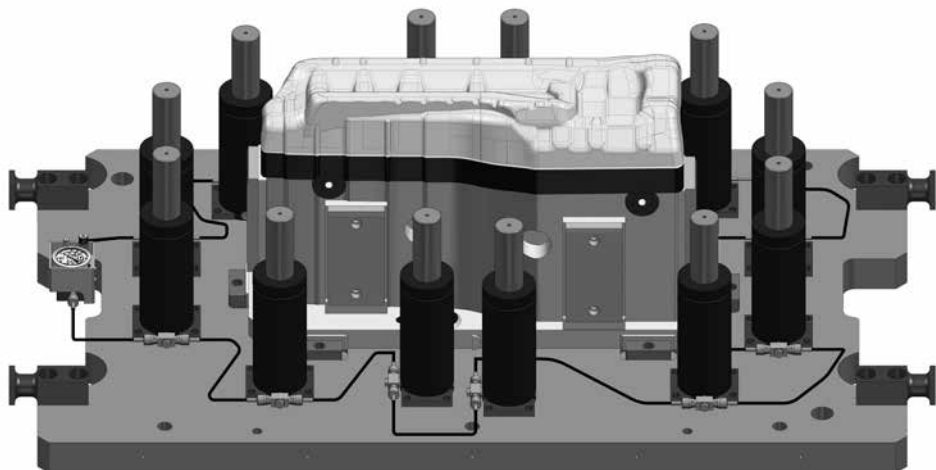


TFRR / TFRL / TFL / SMRR

## 9/16"



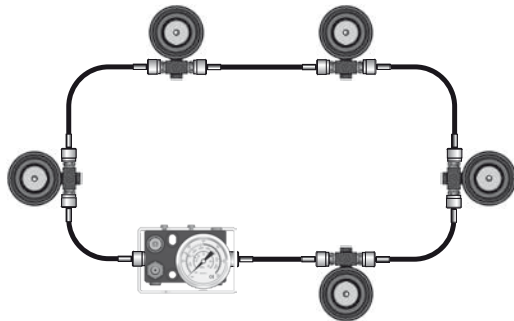
MCRR / MCRL / MCLL / GTRR / GTRL / GTLL



# HOSED SYSTEMS ADVANTAGES

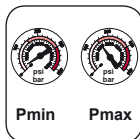
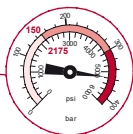
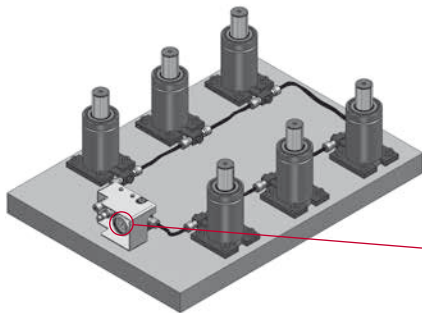


Hosed Systems

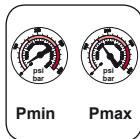


Using gas springs in hosed systems let the end user profit the following advantages.

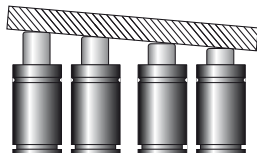
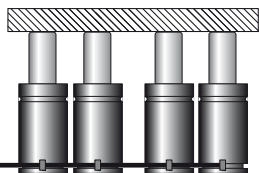
Follow the safety and operating instructions contained in the guide Gas springs hosed systems.



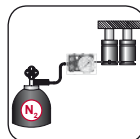
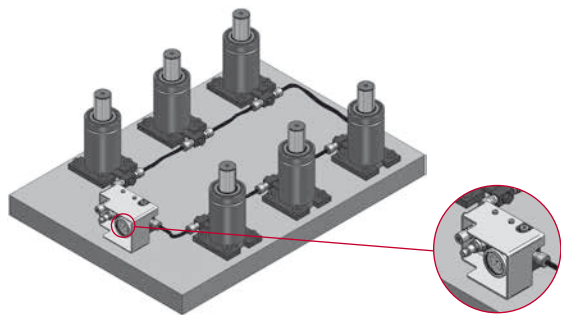
To control the pressure of all the hosed gas springs from outside the die set.



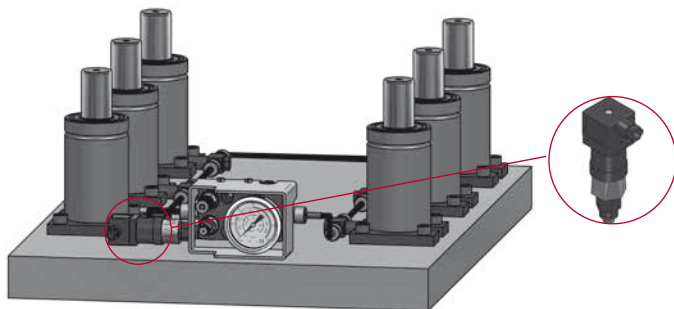
To keep the same pressure in all the hosed gas springs.



To keep the same force in all the hosed gas springs with the same technical features.



To charge, drain and adjust the pressure of the hosed gas springs through the control panel.

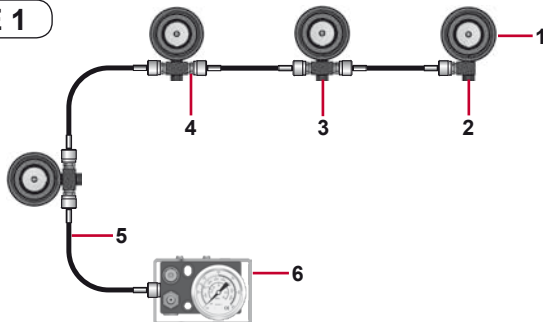


To use additional warning or emergency stop systems (pressure switch) when the pressure is higher or lower than a predefined value.

# HOSED SYSTEMS EXAMPLES

## Hosed Systems

### EXAMPLE 1

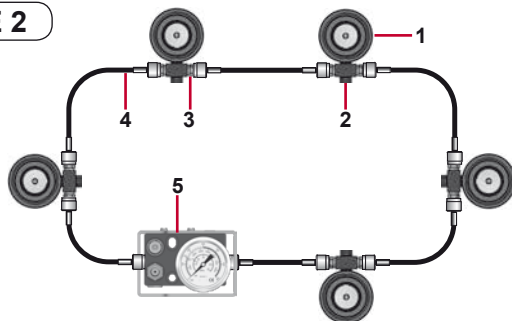


1.-	AG (x4)
2.-	CF 01 24 (x1)
3.-	CF 02 40 (x3)
4.-	SKK 12R 1/8 (x8)
5.-	SGS XXXX (x4)
6.-	600-CP (x1)

Hosed system in series.

System used when there is no uniform distribution of gas springs through all the surface of the die set.

### EXAMPLE 2

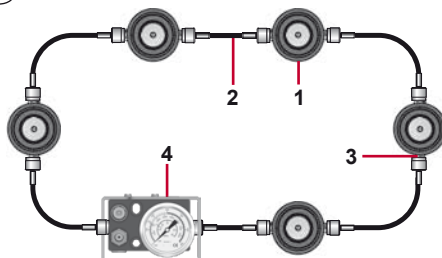


1.-	AG (x5)
2.-	CF 02 (x5)
3.-	SKK 12R 1/8 (x12)
4.-	SGS XXXX (x6)
5.-	600-CP (x1)

Hosed system in circuit.

System used when there is a uniform distribution of gas springs through all the surface of the die set.

### EXAMPLE 3



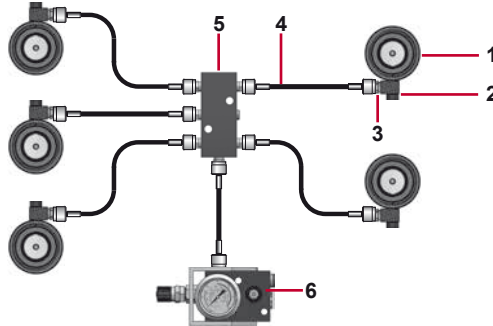
1.-	AGB-H (x5)
2.-	SGS XXXX (x6)
3.-	SKK 12R 1/8 (x12)
4.-	600-CP (x1)

Hosed system with double filling port gas springs.

System used when there is a uniform distribution of gas springs through all the surface of the die set, but additionally it is necessary to compact the required space.



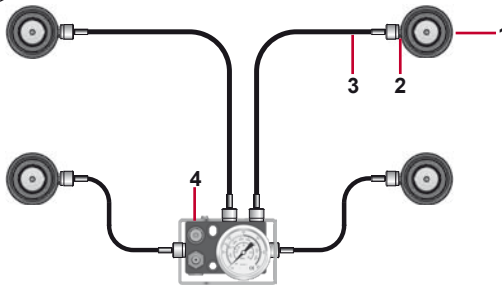
# HOSED SYSTEMS EXAMPLES

*Hosed Systems***EXAMPLE 4**

1.-	AG (x5)
2.-	CF 01 24 (x5)
3.-	SKK 12R 1/8 (X12)
4.-	SGS XXXX (x6)
5.-	PLD 6 (x1)
6.-	600-CP (x1)

Hosed system through distribution block.

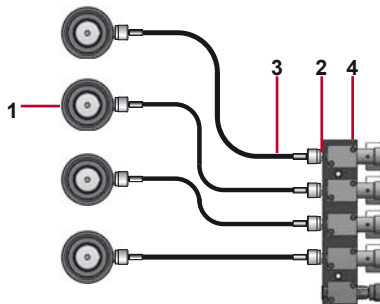
System used when the design of the die set do not let the use of hosed system in circuit.

**EXAMPLE 5**

1.-	AG (x4)
2.-	SKK 12R 1/8 (x8)
3.-	SGS XXXX (x4)
4.-	600-CP (x1)

Hosed system direct to a control panel.

System used to simplify the connection of hosed system, preventing T-connections and elbows.

**EXAMPLE 6**

1.-	AG (x4)
2.-	SKK 12R 1/8 (x8)
3.-	SGS XXXX (x4)
4.-	600-CPMC 01 (x1)

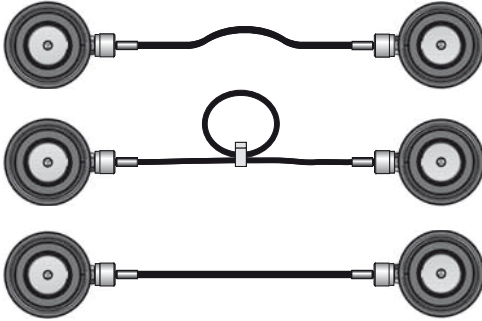
Hosed system direct to a multiple control panel.

System used to ensure individual and independent pressure of each gas spring, connected to the control panel.

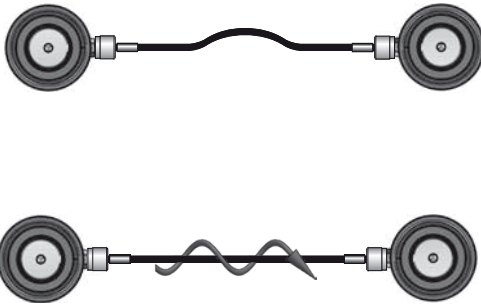
# FITTING HOSES

Hosed Systems

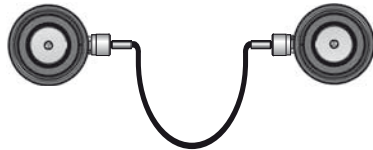
**AZOL  
GAS** 



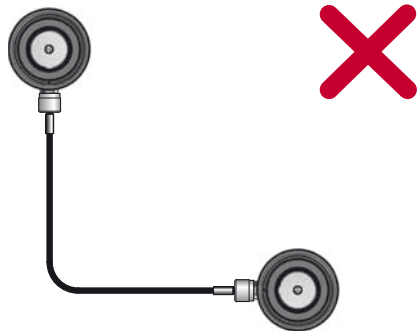
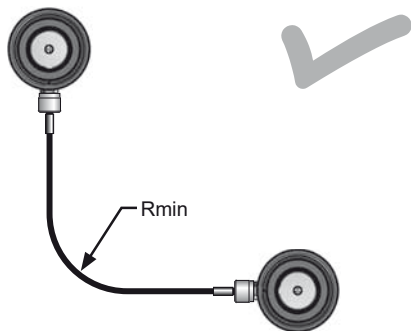
To obtain the best working performance on connected systems, please follow these recommendations:



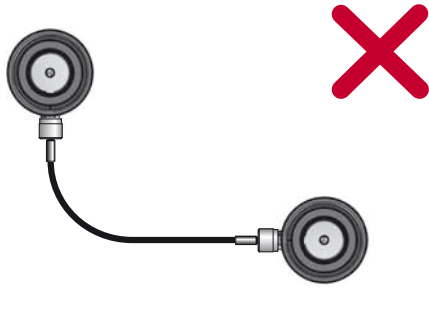
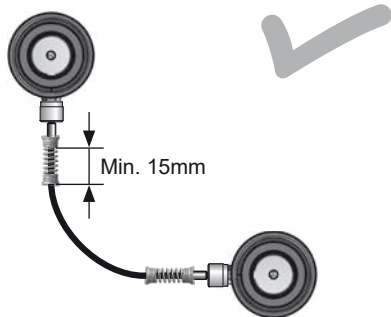
Select a hose length that allows certain tolerance within connected cylinders.



Do not twist the hoses.  
Select appropriate hose fittings to prevent undesired bends in the hoses.

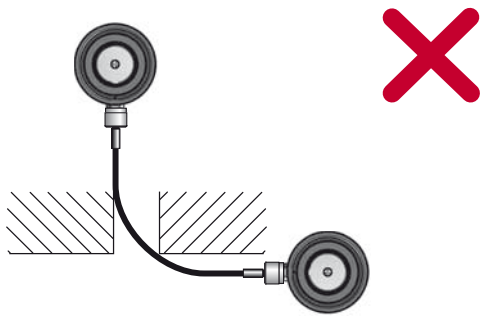
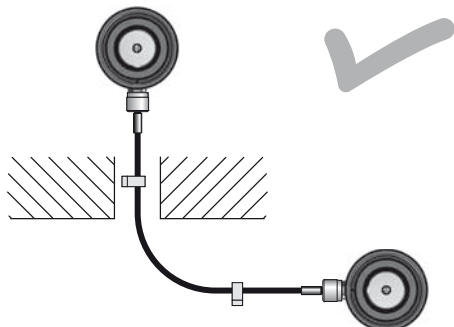


Respect the minimum radius recommended for each type of hose.



Respect the minimum gap to start bending the hose.

Use the PF 02 hose protectors.



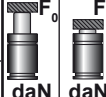




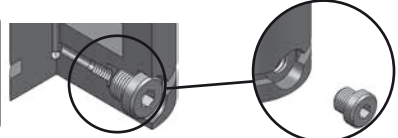
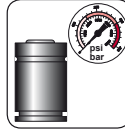
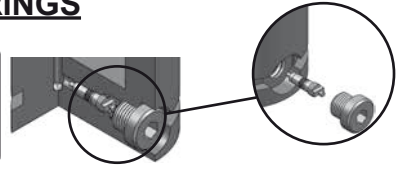
Fix the hose to the die in the right way to prevent any mechanical damage on the hose when operating.


Use hose clamps RBP 5 or RBP 10 according to the type of hose diameter.

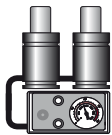


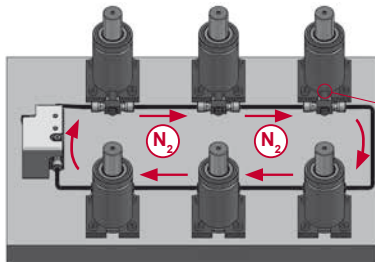
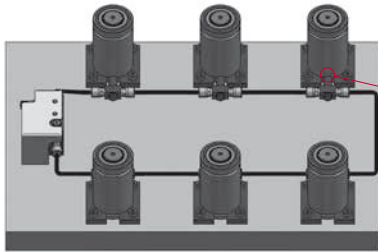
## SELF-CONTAINED OR HOSED GAS SPRINGS

CODE					
		bar	psi	daN <sub>F0</sub>	daN <sub>F1</sub>
AG 750 050		150	2175	740	1100
AG-H 750 050		0	0	---	---



	ENG	Self-contained gas spring	Gas spring delivered charged (with filling valve)
	DEU	Autonome Gasdruckfeder	Befüllte Gasdruckfeder (mit Ventil)
	FRA	Ressort à gaz autonome	Ressort à gaz fourni chargé (avec valve de charge)
	ITA	Cilindro ad azoto autonomo	Cilindro fornito carico (con valvola di carico)
	ESP	Cilindro de gas autónomo	Cilindro de gas suministrado cargado (con válvula de carga)
POR	Cilindro de gas autónomo	Cilindro de gás fornecido carregado (com válvula de carga)	

	ENG	Ready to be hoses	Gas spring delivered unfilled (without filling valve)
	DEU	Fertig zum Verschlauchen	Drucklose Gasdruckfeder (ohne Ventil)
	FRA	Prêt à être relié	Ressort à gaz fourni non chargé (sans valve de charge)
	ITA	Pronto per essere collegato	Cilindro fornito scarico (senza valvola di carico)
	ESP	Preparado para conexión	Cilindro de gas suministrado descargado (sin válvula de carga)
POR	Pronto a ser interligado	Cilindro de gás fornecido descarregado (sem válvula de carga)	



When the pressure pushes the filling valve it opens and let the flow of gas, but when there is no pressure pushing the filling valve, it keep closed and do not allow the exit of gas.

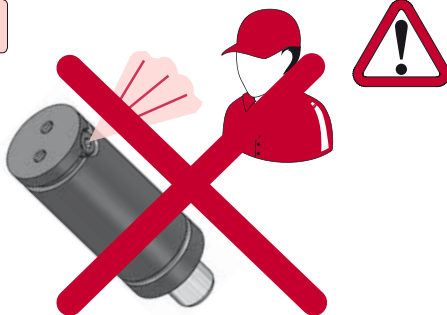
Warning: if the filling valve is installed into the gas springs, the gas springs are not linked each other into a circuit and cannot be charged through the control panel, it is necessary to remove the filling valve from the gas springs in order to keep N<sub>2</sub> pressure through the circuit.

# SELF-CONTAINED AND HOSED

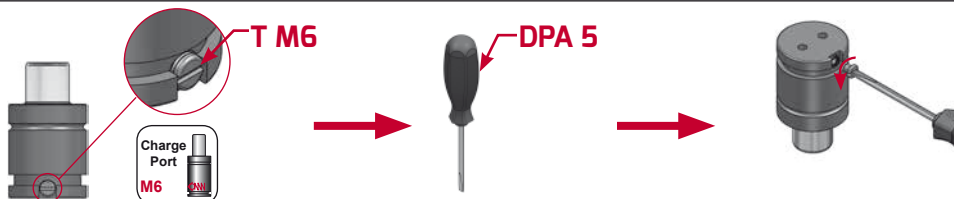
**AZOL GAS**

*Hosed Systems*
**1**

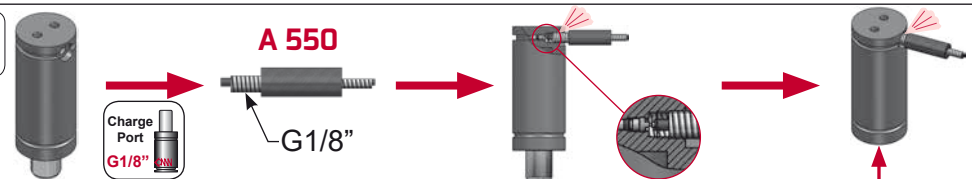
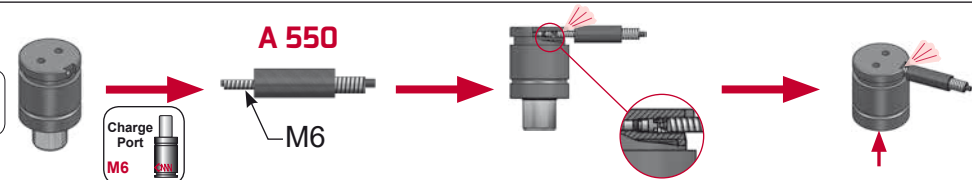

Gas spring, from self-contained to hosed system.

**2**


Before discharging a gas spring point the gas flow away from operator or anybody else.

**3**


Check the type of plug and use the corresponding tool to unscrew it.

**4**


Thread the draining tool to the filling port thread and turn it slowly in order to get it fully drained.

Verify that the cylinder is completely unloaded, if so it should be possible to insert the rod by hand and stay in this position.

# SELF-CONTAINED AND HOSED

Hosed Systems

**5** **XTC-M6**

**DMNL**  
**XTCP**

**DIN 7757**

**DMNL**  
**ABXP**

**DMNL**

**A 800**

Check the type of the filling valve and unscrew it by using the tool DMNL with the corresponding adapter (XTCP for XTC-M6, and ABXP for DIN 7757).  
Remove the valve XTC-M6 by using the tool DMNL and the valve DIN 7757 by using the tool A 800.

**6**

**M8x1** **BK**

**Charge Port M6**

**512,65x1,5** **SGS**

**M12x1,5** **TNRR**

**7/16"** **TFRR**

**9/16"** **MCRR**

**Charge Port G1/8"**

Make the right choice of the hosed system according to the gas spring and application:  
- use hosed systems M8x1 for M6 filling port gas springs  
- use hosed systems • S12,65x1,5 • M12x1,5 • 7/16" • 9/16" for G1/8" filling port gas springs

**7**

**KRM6** **M8x1**

**Charge Port M6**

**SKK** **512,65x1,5**

**DRMB** **M12x1,5**

**7RM8** **7/16"**

**9RM8** **9/16"**

**Charge Port G1/8"**

Make the right choice of adapter corresponding to each hosed system.

**8**

**! Warning**

**LM Tool**

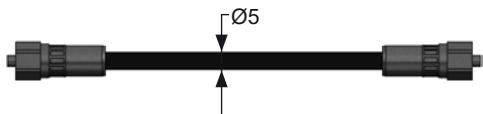
Pull up completely the piston rod by using the corresponding LM tool, never use gas.  
The gas spring is ready to be hosed.

# TYPES OF HOSED SYSTEMS



Hosed Systems

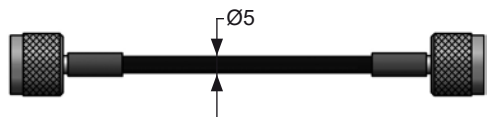
## M8x1



BK

<p>Charge Port <b>M6</b></p>	<p><b>Pmax</b> 400 bar</p>
<p><b>Rmin</b> 20 mm</p>	<p><b>Tmax</b> 100 °C</p>

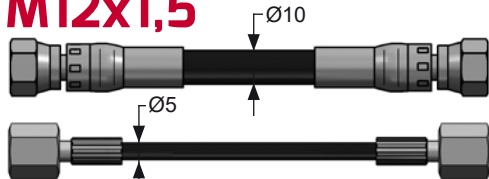
## 512,65x1,5



SGS / RGS / PGS / RGR / PGP

<p>Charge Port <b>G1/8"</b></p>	<p><b>Pmax</b> 630 bar</p>
<p><b>Rmin</b> 20 mm</p>	<p><b>Tmax</b> 100 °C</p>

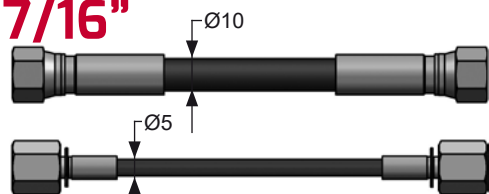
## M12x1,5



TNRR / TNRL / TNLL / TNRC / TNLC / HJRR / HJRL / HJLL

<p>Charge Port <b>G1/8"</b></p>	<p><b>Pmax</b> 345 bar</p>	<p>Charge Port <b>G1/8"</b></p>	<p><b>Pmax</b> 345 bar</p>
<p><b>Rmin</b> 40 mm</p>	<p><b>Tmax</b> 100 °C</p>	<p><b>Rmin</b> 20 mm</p>	<p><b>Tmax</b> 100 °C</p>

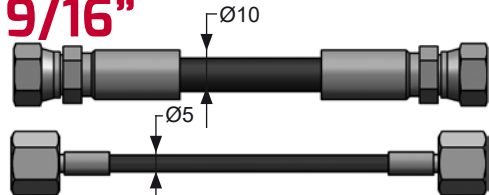
## 7/16"



TFRR / TFRL / TFL / SMRR

<p>Charge Port <b>G1/8"</b></p>	<p><b>Pmax</b> 345 bar</p>	<p>Charge Port <b>G1/8"</b></p>	<p><b>Pmax</b> 345 bar</p>
<p><b>Rmin</b> 40 mm</p>	<p><b>Tmax</b> 100 °C</p>	<p><b>Rmin</b> 20 mm</p>	<p><b>Tmax</b> 100 °C</p>

## 9/16"



MCRR / MCRL / MCLL / GTRR / GTRL / GTLL

<p>Charge Port <b>G1/8"</b></p>	<p><b>Pmax</b> 345 bar</p>	<p>Charge Port <b>G1/8"</b></p>	<p><b>Pmax</b> 345 bar</p>
<p><b>Rmin</b> 40 mm</p>	<p><b>Tmax</b> 100 °C</p>	<p><b>Rmin</b> 20 mm</p>	<p><b>Tmax</b> 100 °C</p>



# TYPES OF HOSED SYSTEMS

*Hosed Systems*

## M8x1

Specially suited to be used with M6 filling port gas springs.

The most compact hosed system.

Charge  
Port  
M6



## S12,65x1,5

Most popular use for G1/8" filling port gas springs and automobile: EM.24.54.700, W-DX35-72, 90.25, SMS DNH 3217n

A versatile and compact hosed system that allows easy inter-link fitting and vibration-proof couplings.

Charge  
Port  
G1/8"

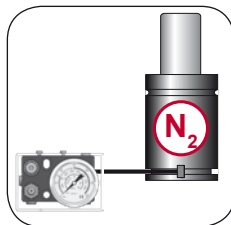


## M12x1,5

Intended use for high volume gas springs with G1/8" filling port, or high gas flow required (compensation tanks).

Widest space required.

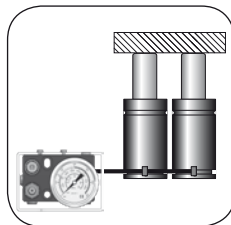
Charge  
Port  
G1/8"



## 7/16"

Only to be used for standard applications on G1/8" filling port gas springs, in case of high vibration applications use hosed system 9/16".

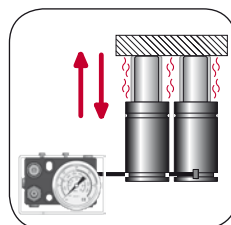
Charge  
Port  
G1/8"



## 9/16"

Recommended use for G1/8" filling port gas springs in high vibration applications.

Charge  
Port  
G1/8"



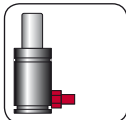
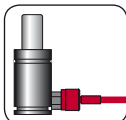
# TYPES OF HOSED SYSTEMS

*Hosed Systems*
**Filling Port**

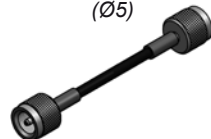
**M6**

**KR / KC / KT / \_\_BK**  
 (M8x1)

**SKK / CF**  
 (S12,65x1,5)

**Adapters**

**Ø10**
**Hoses**

**BK**

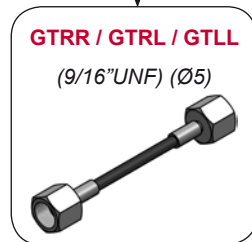
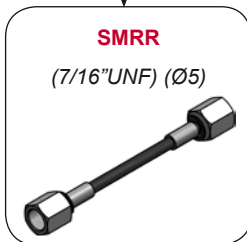
(M8x1) (Ø5)


**Ø5**
**SGS / RGS / PGS**  
**RGR / PGP**  
 (S12,65x1,5 Minimes) (Ø5)


# TYPES OF HOSED SYSTEMS

Hosed Systems

G1/8" GAS SPRINGS LINKABLE	
AG 500	CTN 750 - 5000
AG 750 - 10000	KZ 750 - 6600
CD 700 - 18500	KT 1000 - 9500
CM 1000 -10000	CW 4200 - 20000
GN 750 - 7500	CWC 750 - 2400
FD 500 - 5000 V1	CS-KC 1000 - 18300 V1
CK 750 V1 - 4000 V1	



# TYPES OF HOSED SYSTEMS



Hosed Systems



Filling Port



Adapters

M6



**M6 GAS SPRINGS LINKABLE**

AG 250	CK 570 V1
CD 300 V1 - 500 V1	CT 550 V1 - 5000
CM 300 - 600 V1	KZ 350 - 500
FD 300	CW 350 - 2400 V1

M8x1



KRM6



TE BK



90 BK



S12,65x1,5



SKK



CF 02



CF 01



M12x1,5



DRM8



DTFD



DCFD



7/16"



7RM8



7EM8



7CM8



9/16"



9RM8



9EM8



9CM8



G1/8"



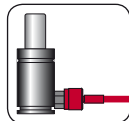
**G1/8" GAS SPRINGS LINKABLE**

AG 500	CTN 750 - 5000
AG 750 - 10000	KZ 750 - 6600
CD 700 - 18500	KT 1000 - 9500
CM 1000 - 10000	CW 4200 - 20000
GN 750 - 7500	CWC 750 - 2400
FD 500 - 5000 V1	CS-KC 1000 - 18300 V1
CK 750 V1 - 4000 V1	

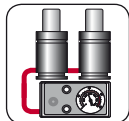


# TYPES OF HOSED SYSTEMS

Hosed Systems



Hoses



Control Panels

BK



600-CPM6



SGS



RGR



RGS



PGP



PGS



600-CPLC



600-CPFI



600-CPGM



600-CPTO



HJRR



TNRR



HJRL



TNRL



HJLL



TNLL



600-CPLC



600-CPFI



600-CPGM



SMRR



TFRR



TFRL



TFL



600-CPLC



600-CPFI



600-CPGM



GTRR



MCRR



GTRL



MCRL



GTL



MCL



600-CPLC



600-CPFI



600-CPGM



600-CPFO

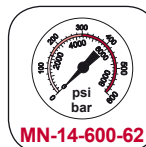
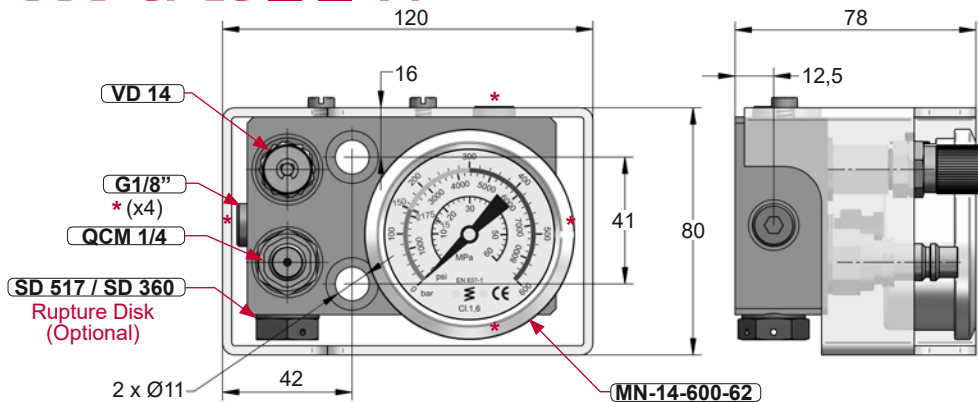


# CONTROL PANELS



Hosed Systems

## 600-CPLC \_\_ V1



ENG	ORDER
DEU	BESTELL
FRA	COMMANDE
ITA	ORDINE
ESP	PEDIDO
POR	PEDIDO



600-CPLC 01 V1

600-CPLC 02 V1

600-CPLC 03 V1

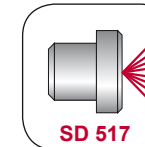
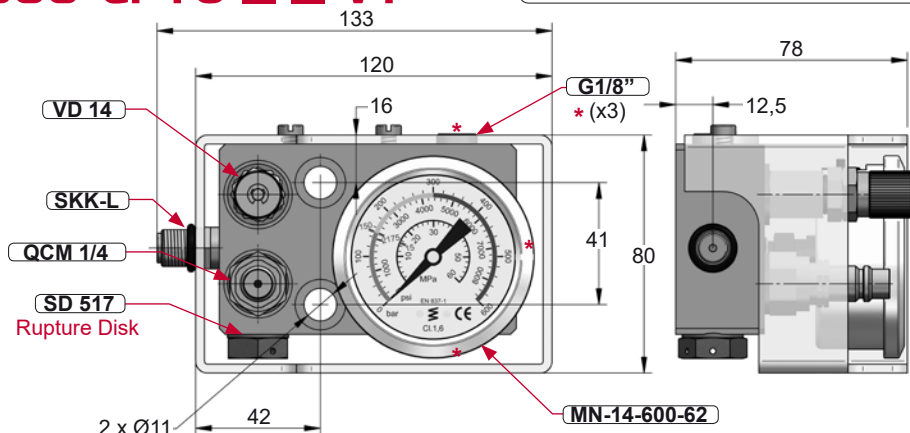
bar	psi
600	8000

bar	psi
517	7500

bar	psi
360	5220

## 600-CPTO \_\_ V1

TOYOTA SMS DHN 3211n



ENG	ORDER
DEU	BESTELL
FRA	COMMANDE
ITA	ORDINE
ESP	PEDIDO
POR	PEDIDO



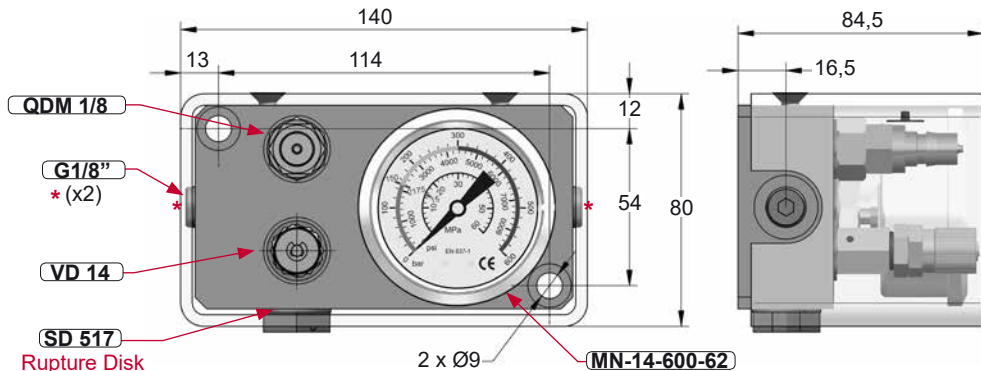
600-CPTO 01 V1

bar	psi
600	8000

bar	psi
517	7500

## 600-CPFI \_ \_

FIAT A0.14.01



Rupture Disk  
(Optional)



MN-14-600-62

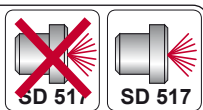


SD 517

bar	psi
600	8000

bar	psi
517	7500

	ENG ORDER
	DEU BESTELL
	FRA COMMANDE
	ITA ORDINE
	ESP PEDIDO
POR PEDIDO	

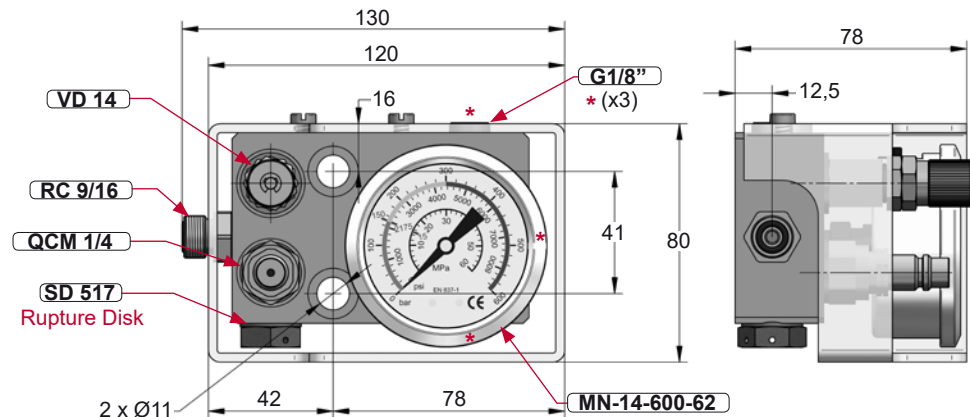


600-CPFI 01

600-CPFI 02

## 600-CPFO \_ \_ V1

FORD W-DX-35-72



MN-14-600-62

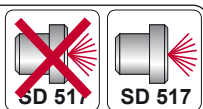


SD 517

bar	psi
600	8000

bar	psi
517	7500

	ENG ORDER
	DEU BESTELL
	FRA COMMANDE
	ITA ORDINE
	ESP PEDIDO
POR PEDIDO	



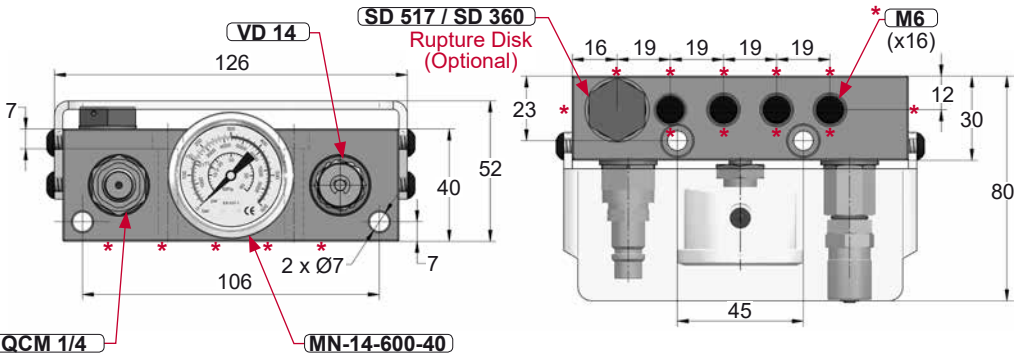
600-CPFO 01 V1

# CONTROL PANELS



Hosed Systems

## 600-CPM6 \_ \_



MN-14-600-62

bar psi  
600 8000



SD 517

bar psi  
517 7500



SD 360

bar psi  
360 5220



ENG	ORDER
DEU	BESTELL
FRA	COMMANDE
ITA	ORDINE
ESP	PEDIDO
POR	PEDIDO



600-CPM6 01

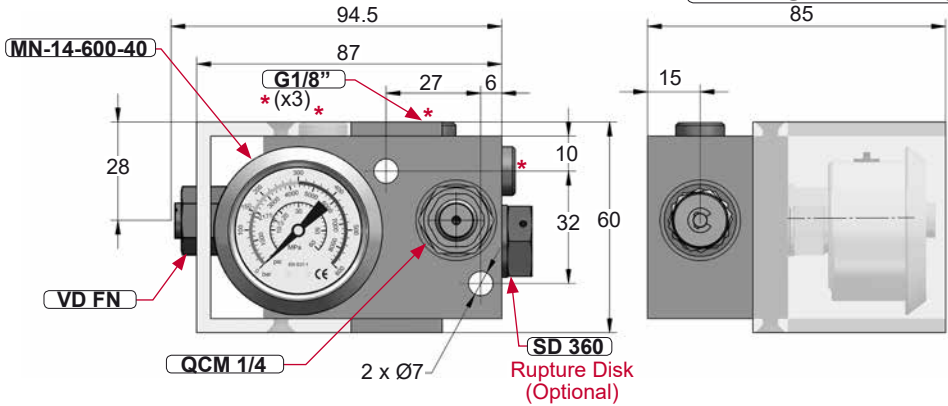
600-CPM6 02

600-CPM6 03

## 600-CPGM \_ \_ V1

GM 90.25

RENAULT EM24.54.700



MN-14-600-40

bar psi  
600 8000



SD 360

bar psi  
360 5220



ENG	ORDER
DEU	BESTELL
FRA	COMMANDE
ITA	ORDINE
ESP	PEDIDO
POR	PEDIDO

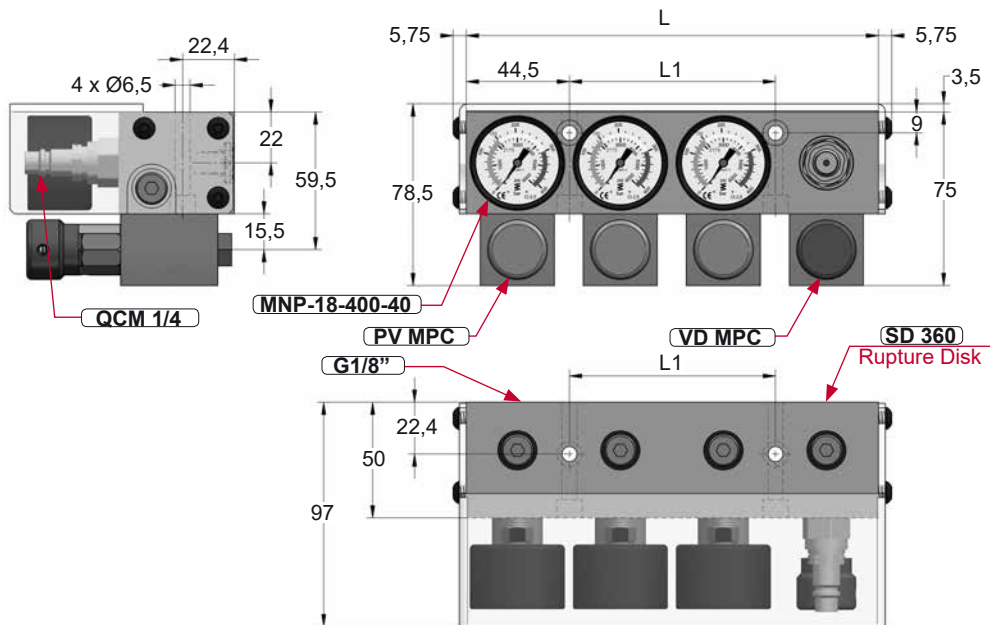


600-CPGM 03 V1

600-CPGM 04 V1



## 400-CPFG \_ 01



ORDER	Qty. testing units	L (mm)	L1 (mm)
400-CPFG2 01	2	133.5	44.5
400-CPFG3 01	3	178	89
400-CPFG4 01	4	222.5	133.5
400-CPFG5 01	5	267	178
400-CPFG6 01	6	311.5	222.5
400-CPFG8 01	8	400.5	311.5
400-CPFG10 01	10	489.5	400.5



bar psi  
400 6000

bar psi  
360 5220



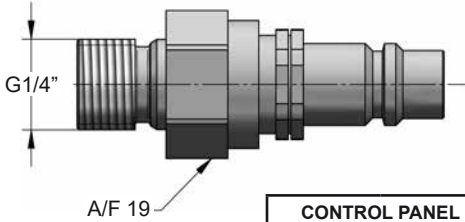
400-CPFG2 01

# CONTROL PANELS



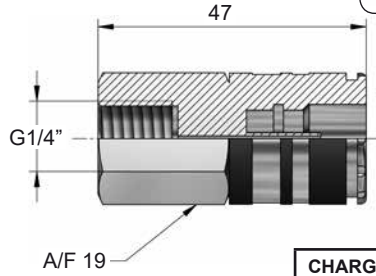
Hosed Systems

## QCM 1/4



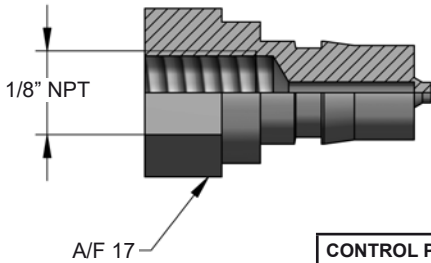
CONTROL PANEL	
600-CPLC	600-CPM6
600-CPTO	600-CPGM
600-CPFO	400-CPFG

## QCF 1/4



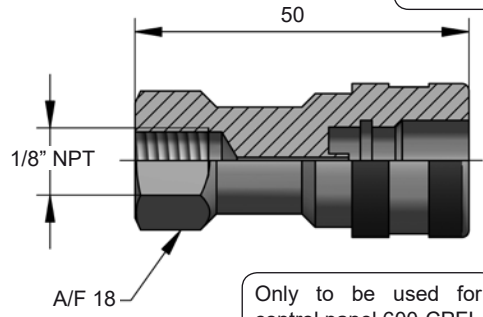
CHARGING UNIT	
EC 37	
EC 38	
EC 39	

## QDM 1/8



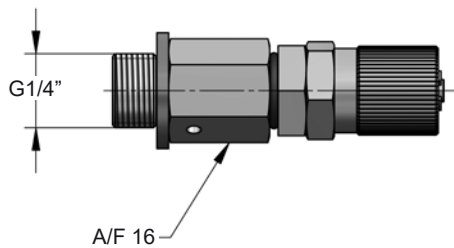
CONTROL PANEL	
600-CPFI	

## QDF 1/8

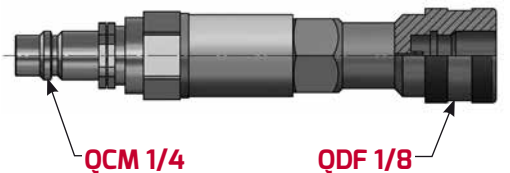


Only to be used for control panel 600-CPFI

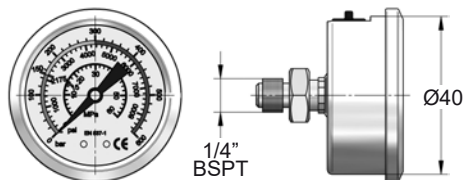
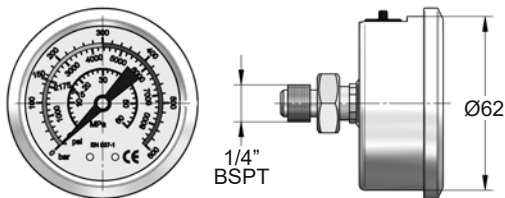
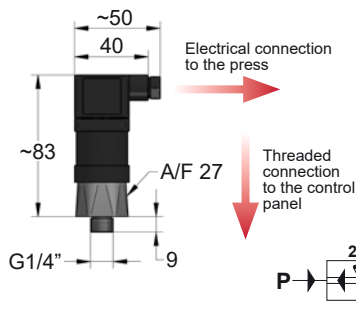
## VD 14



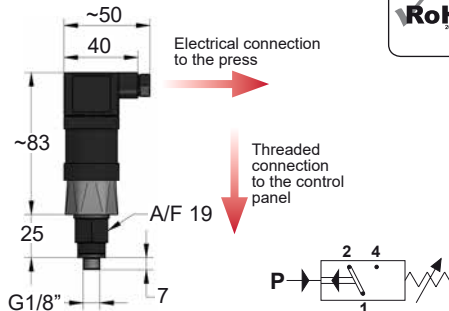
## QDF 1/8-Q



Only to be used for control panel 600-CPFI

**MN-14-600-40****MN-14-600-62****SPS 1/4**

RoHS

**SPS 1/8**

RoHS

**TECHNICAL DATA**

<b>Range:</b>	50 - 200 bar.
<b>Tolerance:</b>	±5 bar a 20 °C.
<b>Thread:</b>	G1/4" y G1/8"
<b>Tension:</b>	Max. 250 V.
<b>Safety over-pressure:</b>	300 bar.
<b>Working temperature:</b>	-25 °C to +50 °C.

If the pressure of the piping circuit drops below a set limit user (optimal minimum operation), the switch sends a signal can be used to either warn or stop mechanism that is associated.

**ADVANTAGES**

- Compact design.
- Allows automatic control of piping circuits.
- Alert previously avoiding the production of defective parts.
- Increased efficiency in production.

# ELECTRONIC PRESSURE SWITCH

**AZOL  
GAS**

Hosed Systems

## GM KIT

**GM 90.25.225**

## EDS GM

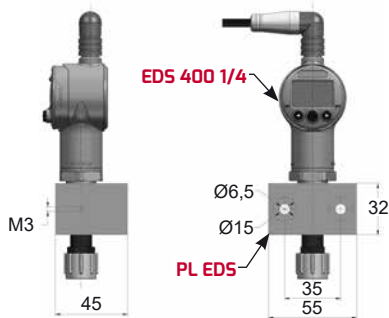
Electronic Pressure Switch according to GM standard GM 90.25.225.

It is supplied with EDS 400 1/4 (with 5 meters cable ZBE 90 (90°)) and block PL EDS.

OPTIONS:

Cable 5 meters:  
- ZBE R (Straight)

Adapters:  
- KRM8 (M8x1)  
- SKK L (S12,65x1,5)  
- DRM8 (M12x1,5)



## ACCESSORIES

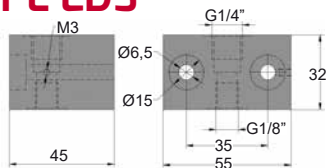
### ZBE R



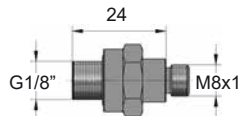
### ZBE 90



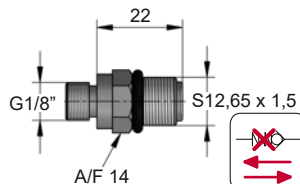
### PL EDS



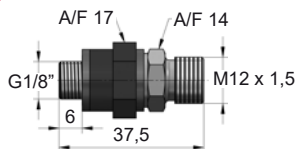
### KRM8



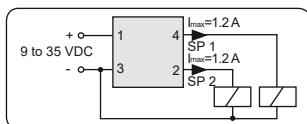
### SKK L



### DRM8

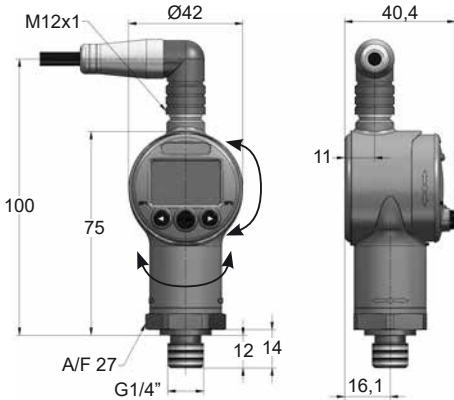
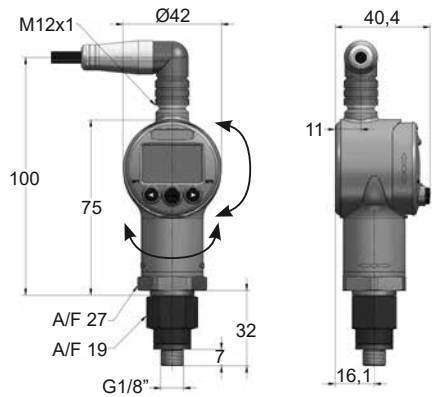


## WARNING



The electronic pressure switch must be connected by a qualified electrician in accordance to the regulations of the country where it will be used.

The local and international regulations for the electric equipment installation must be observed.

**EDS 400 1/4****HOW TO ORDER****EDS 400 1/4****EDS 400 1/4****EDS 400 1/8****HOW TO ORDER****EDS 400 1/8****EDS 400 1/8****TECHNICAL DATA**

<b>Mechanical connection:</b>	G1/4" - G1/8"
<b>Measuring range:</b>	0 - 400 bar
<b>Max. pressure:</b>	800 bar
<b>Burst pressure:</b>	2000 bar
<b>Operating temperature:</b>	-25 °C to +80 °C.
<b>Torque:</b>	20 Nm
<b>Protection class (IEC 60529)</b>	IP67
<b>Weight:</b>	120 g

<b>Switching current:</b>	max. 1.2 A
<b>Supply voltage:</b>	9 - 35 VDC
<b>Electrical connection:</b>	M12x1 (4 pole)
<b>Output: (2 switching outputs)</b>	2 PNP Pin 2,4

**APPLICATIONS**

The EDS 400 is a compact electronic pressure switch with integrated digital display for relative pressure measurement. It allows control and monitor gas spring hosed systems pressure, and it is recommended when it is necessary to stop any process if pressure is higher or lower to a pre-set value.

The digital display shows the pressure in bar, PSI or MPa and also rotates for a higher versatility.

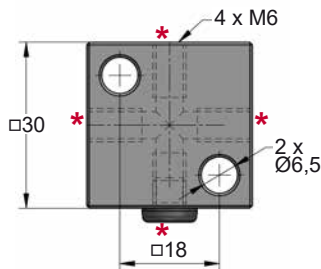
The electronic pressure switch is equipped with two switching outputs than can be easily programmed.

# DISTRIBUTION BLOCKS

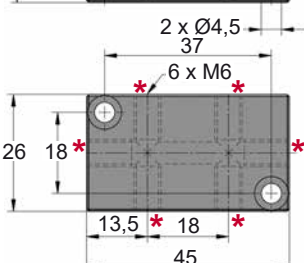
**AZOL**  
**GAS**

*Hosed Systems*

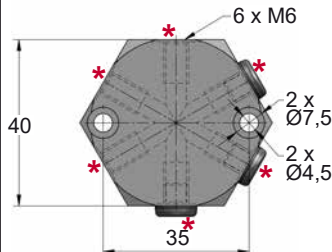
## PLC M6

**4 Ports**  
**M6**


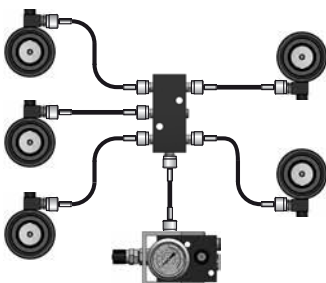
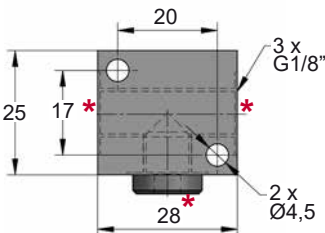
## PLR M6

**6 Ports**  
**M6**


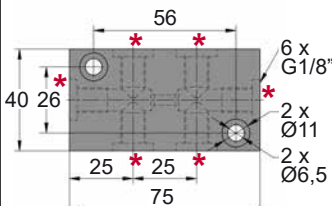
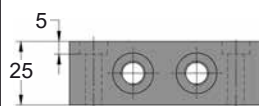
## PLH M6

**6 Ports**  
**M6**


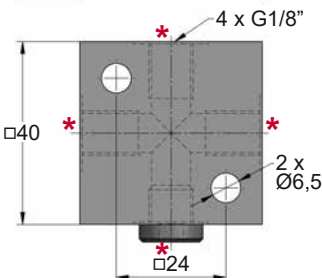
## PLD 2

**3 Ports**  
**G1/8"**


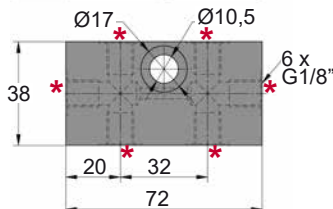
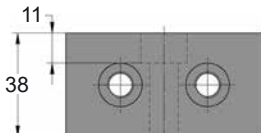
## PLF 4

**6 Ports**  
**G1/8"**


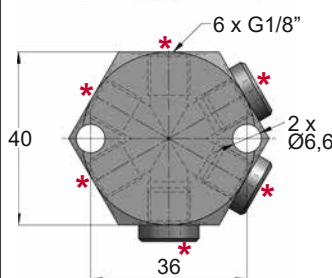
## PLF 2

**4 Ports**  
**G1/8"**


## PLD 4

**6 Ports**  
**G1/8"**


## PLH 1/8

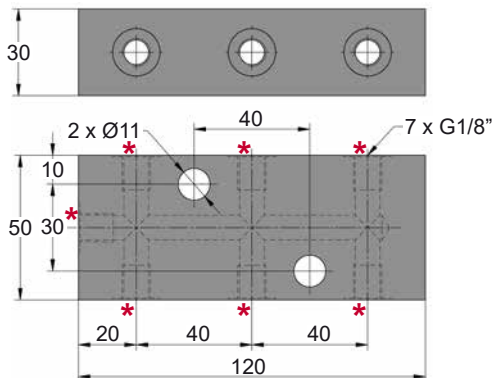
**6 Ports**  
**G1/8"**


# DISTRIBUTION BLOCKS

Hosed Systems

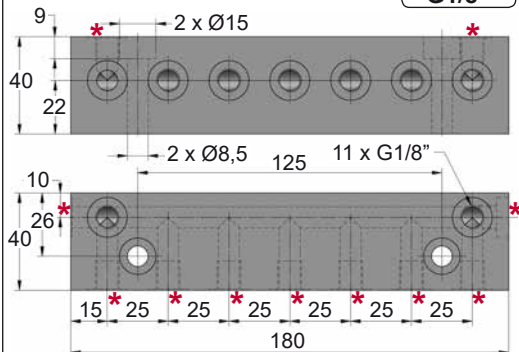
## PLD 6

**7 Ports**  
**\* G1/8"**



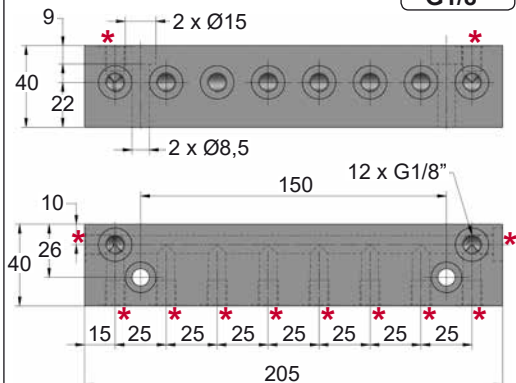
## PLD 7

**11 Ports**  
**\* G1/8"**



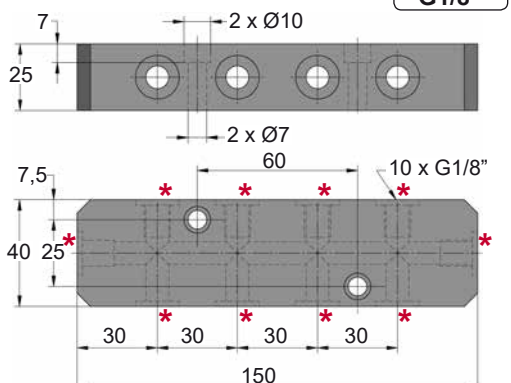
## PLD 8

**12 Ports**  
**\* G1/8"**



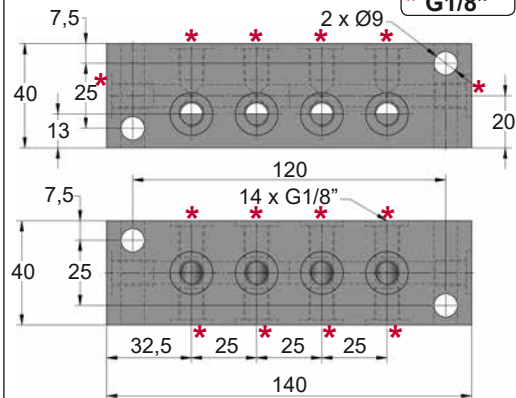
## PLF 8

**10 Ports**  
**\* G1/8"**



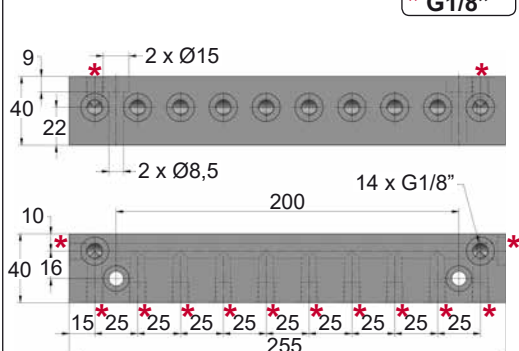
## PLK 8

**14 Ports**  
**\* G1/8"**



## PLD 10

**14 Ports**  
**\* G1/8"**

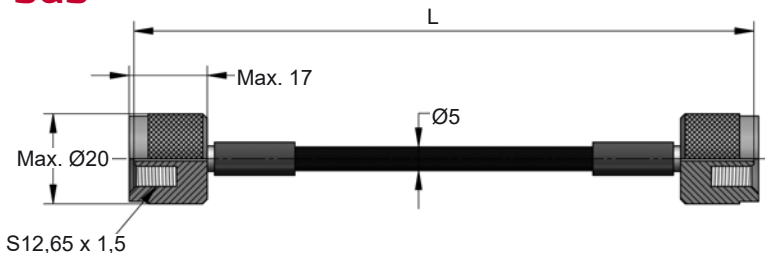


# G1/8" MINIMESS (Ø5)

Hosed Systems

**AZOL**  
**GAS**

## SGS



ORDER	L <sup>+5</sup> <sub>-0</sub> (mm)
SGS 200	200
SGS 300	300
SGS 400	400
SGS 500	500
SGS 630	630
SGS 800	800
SGS 1000	1000
SGS 1200	1200
SGS 1250	1250
SGS 1500	1500
SGS 2000	2000
SGS 2500	2500
SGS 3000	3000



ENG ORDER  
 DEU BESTELL  
 FRA COMMANDE  
 ITA ORDINE  
 ESP PEDIDO  
 POR PEDIDO



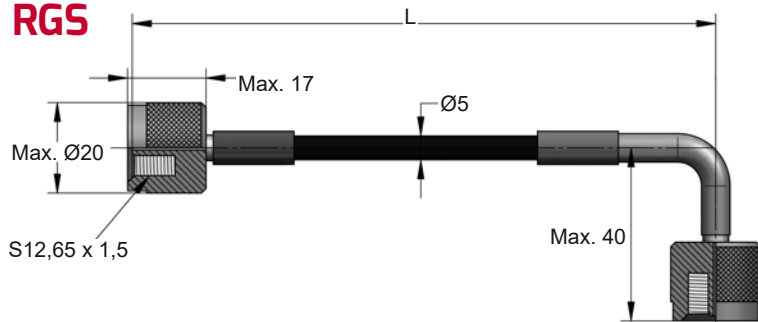
EM.24.54.700

90.25

W-DX35-72

SMS DNH 3217n

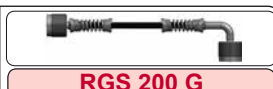
## RGS



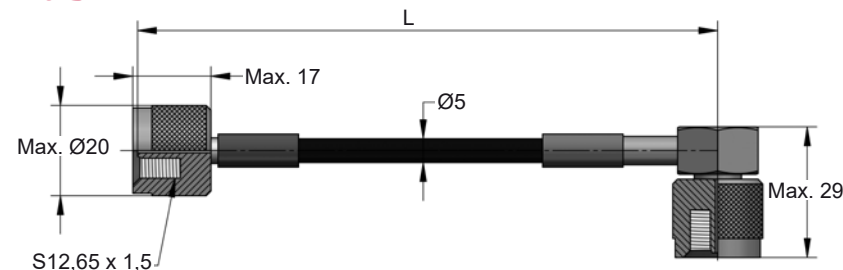
ORDER	L <sup>+5</sup> <sub>-0</sub> (mm)
RGS 200	200
RGS 300	300
RGS 400	400
RGS 500	500
RGS 630	630
RGS 800	800
RGS 1000	1000
RGS 1200	1200
RGS 1250	1250
RGS 1500	1500
RGS 2000	2000
RGS 2500	2500
RGS 3000	3000



ENG ORDER  
 DEU BESTELL  
 FRA COMMANDE  
 ITA ORDINE  
 ESP PEDIDO  
 POR PEDIDO



## PGS



ORDER	L <sup>+5</sup> <sub>-0</sub> (mm)
PGS 200	200
PGS 300	300
PGS 400	400
PGS 500	500
PGS 630	630
PGS 800	800
PGS 1000	1000
PGS 1200	1200
PGS 1250	1250
PGS 1500	1500
PGS 2000	2000
PGS 2500	2500
PGS 3000	3000



ENG ORDER  
 DEU BESTELL  
 FRA COMMANDE  
 ITA ORDINE  
 ESP PEDIDO  
 POR PEDIDO



EM.24.54.700

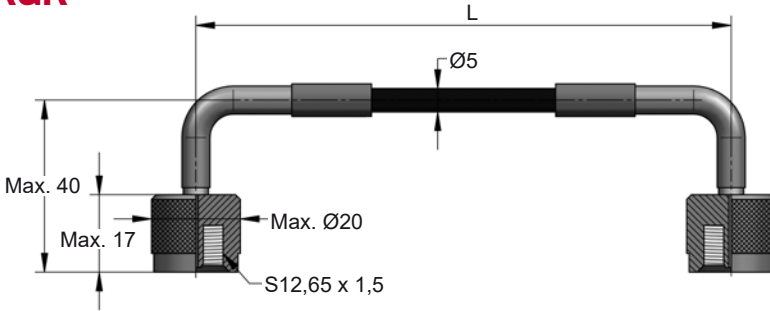
90.25

W-DX35-72

SMS DNH 3217n



**RGR**



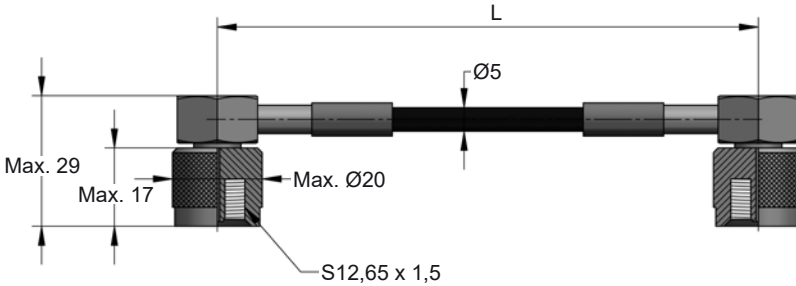
ORDER	L <sup>+5</sup> <sub>-0</sub> (mm)
RGR 200	200
RGR 300	300
RGR 400	400
RGR 500	500
RGR 630	630
RGR 800	800
RGR 1000	1000
RGR 1200	1200
RGR 1250	1250
RGR 1500	1500
RGR 2000	2000
RGR 2500	2500
RGR 3000	3000



ENG ORDER  
DEU BESTELL  
FRA COMMANDE  
ITA ORDINE  
ESP PEDIDO  
POR PEDIDO



**PGP**



ORDER	L <sup>+5</sup> <sub>-0</sub> (mm)
PGP 200	200
PGP 300	300
PGP 400	400
PGP 500	500
PGP 630	630
PGP 800	800
PGP 1000	1000
PGP 1200	1200
PGP 1250	1250
PGP 1500	1500
PGP 2000	2000
PGP 2500	2500
PGP 3000	3000

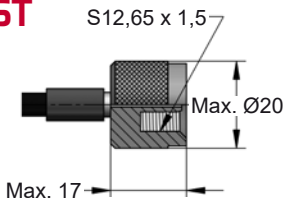


ENG ORDER  
DEU BESTELL  
FRA COMMANDE  
ITA ORDINE  
ESP PEDIDO  
POR PEDIDO

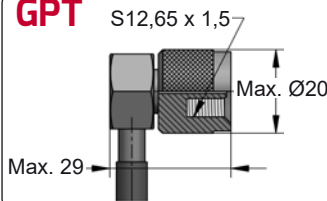


EM.24.54.700  
90.25  
W-DX35-72  
SMS DNH 3217n

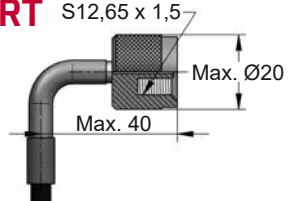
**GST**



**GPT**



**GRT**



**GF 02**

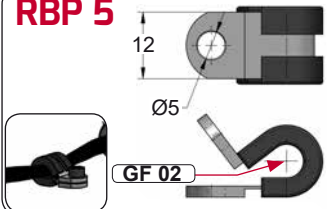


**Pmax**  
630 bar

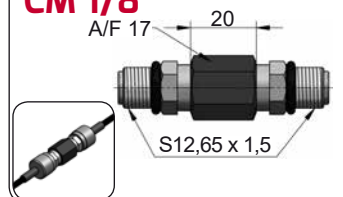
**Tmax**  
100 °C

**Rmin**  
20 mm

**RBP 5**



**CM 1/8**

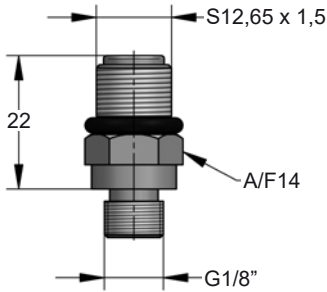


# G1/8" MINIMESS (Ø5)

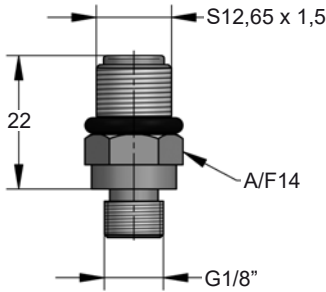


Hosed Systems

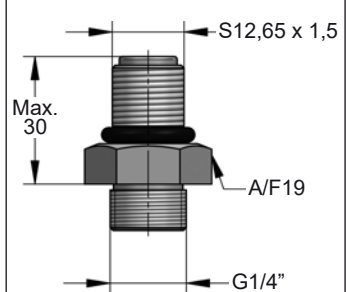
## SKK 12R 1/8



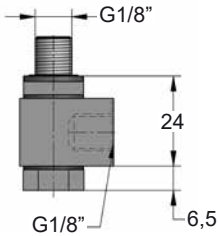
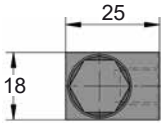
## SKK L



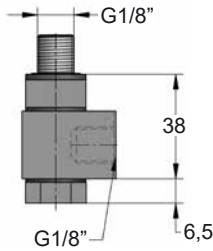
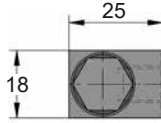
## SKK 12R 1/4



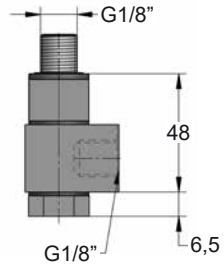
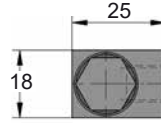
## CF 01 24



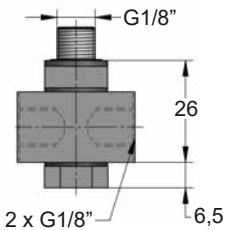
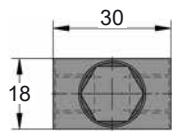
## CF 01 38



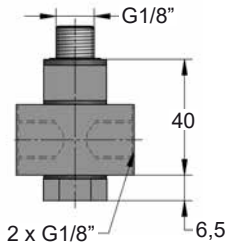
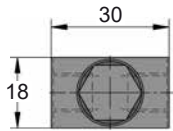
## CF 01 48



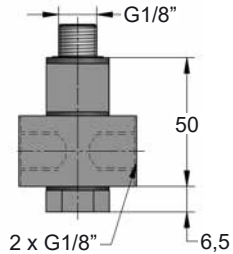
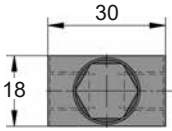
## CF 02 26



## CF 02 40



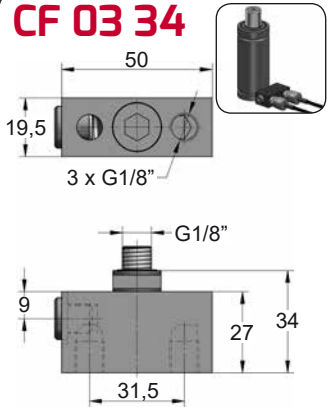
## CF 02 50



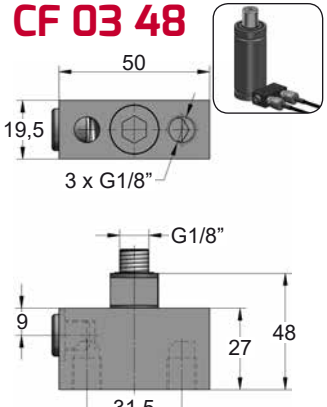
# G1/8" MINIMESS (Ø5)

Hosed Systems

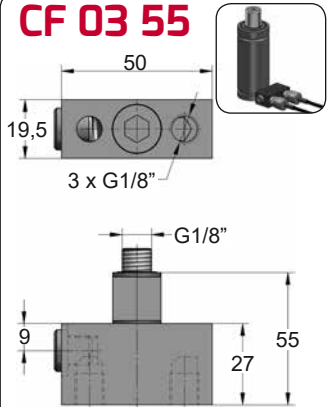
## CF 03 34



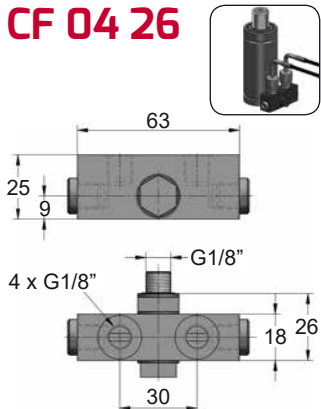
## CF 03 48



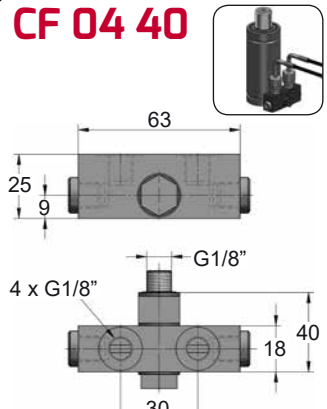
## CF 03 55



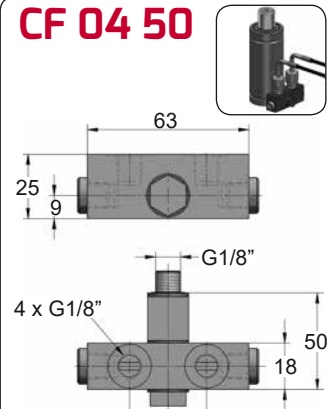
## CF 04 26



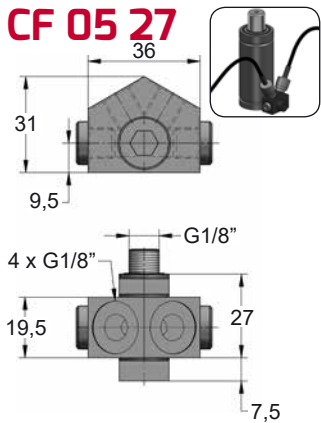
## CF 04 40



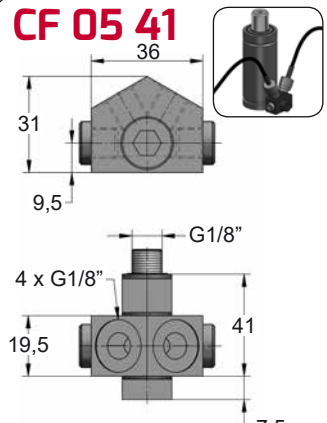
## CF 04 50



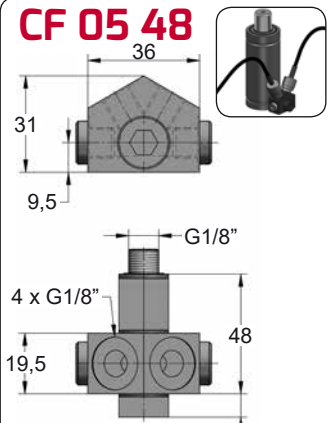
## CF 05 27



## CF 05 41



## CF 05 48

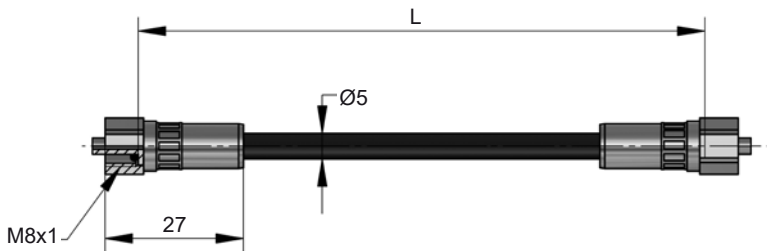


# M8 x 1 (Ø5)

Hosed Systems



## BK



ORDER	L <sup>+5</sup> <sub>-0</sub> (mm)
BK 200	200
BK 300	300
BK 400	400
BK 500	500
BK 630	630
BK 800	800
BK 1000	1000
BK 1200	1200
BK 1250	1250
BK 1500	1500
BK 2000	2000
BK 2500	2500
BK 3000	3000



ENG	ORDER
DEU	BESTELL
FRA	COMMANDE
ITA	ORDINE
ESP	PEDIDO
POR	PEDIDO

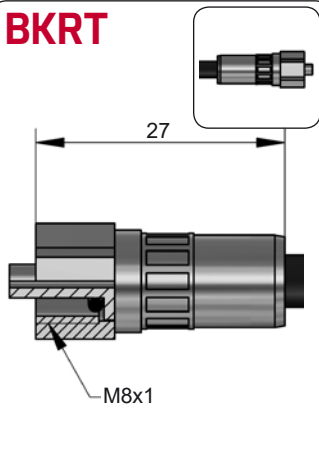


**BK 200**

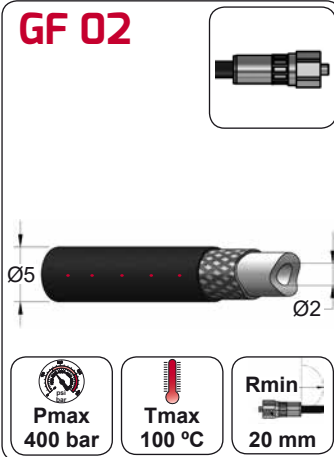


**BK 200 G**

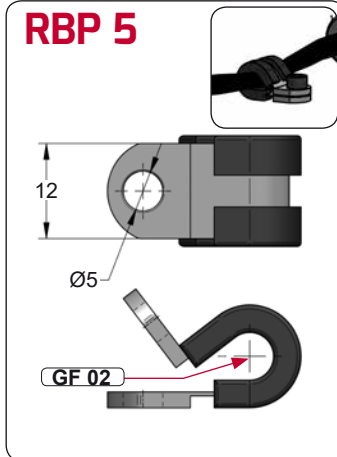
## BKRT



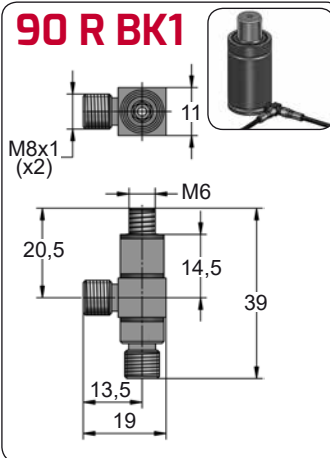
## GF 02



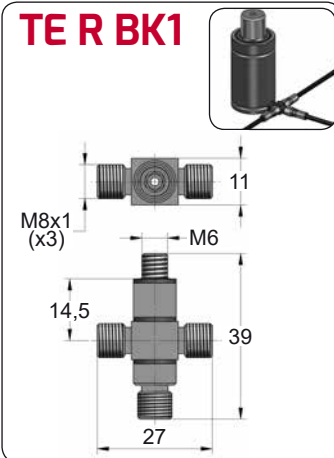
## RBP 5



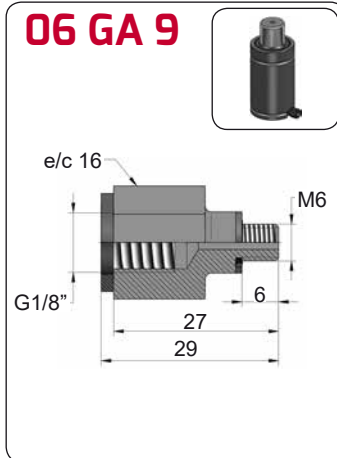
## 90 R BK1



## TE R BK1



## 06 GA 9

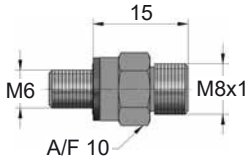




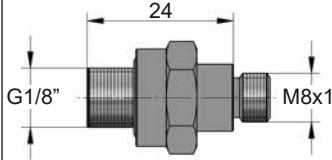
# M8 x 1 (Ø5)

Hosed Systems

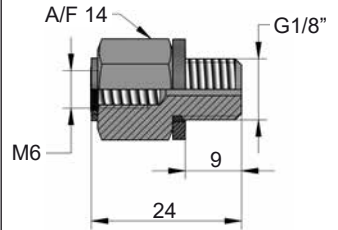
## KRM6



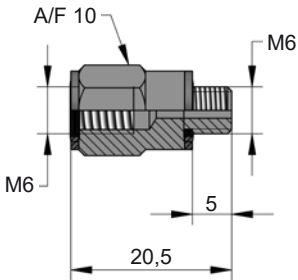
## KRM8



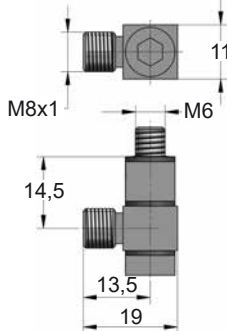
## 18 MS 1



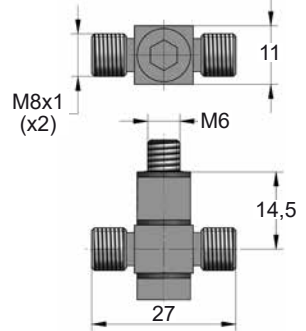
## 06 MS 3



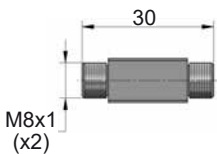
## 90 BK1



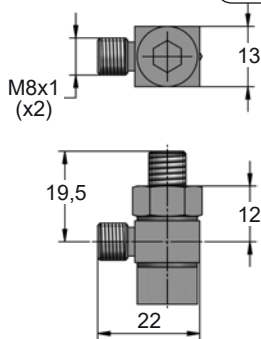
## TE BK1



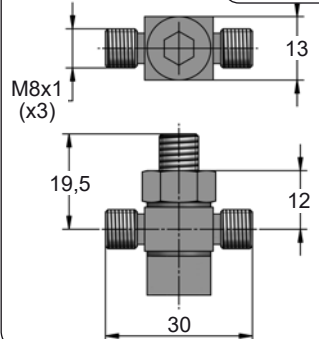
## KRMK1



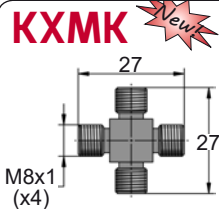
## KCMK1



## KTMK1



## KXMK

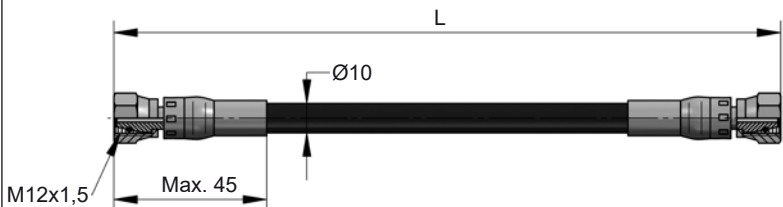


# M12 x 1,5 (Ø10)

Hosed Systems

**AZOL**  
**GAS**

## TNRR



ORDER	L <sup>+5</sup> <sub>-0</sub> (mm)
TNRR 200	200
TNRR 300	300
TNRR 400	400
TNRR 500	500
TNRR 630	630
TNRR 800	800
TNRR 1000	1000
TNRR 1200	1200
TNRR 1250	1250
TNRR 1500	1500
TNRR 2000	2000
TNRR 2500	2500
TNRR 3000	3000

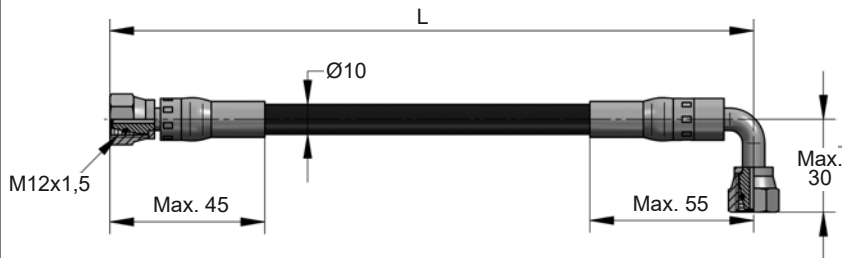


ENG	ORDER
DEU	BESTELL
FRA	COMMANDE
ITA	ORDINE
ESP	PEDIDO
POR	PEDIDO



**TNRR 200**

## TNRL



ORDER	L <sup>+5</sup> <sub>-0</sub> (mm)
TNRL 200	200
TNRL 300	300
TNRL 400	400
TNRL 500	500
TNRL 630	630
TNRL 800	800
TNRL 1000	1000
TNRL 1200	1200
TNRL 1250	1250
TNRL 1500	1500
TNRL 2000	2000
TNRL 2500	2500
TNRL 3000	3000

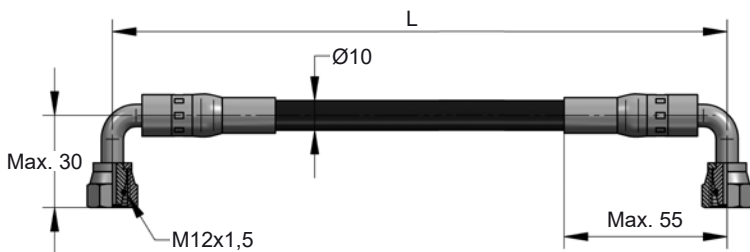


ENG	ORDER
DEU	BESTELL
FRA	COMMANDE
ITA	ORDINE
ESP	PEDIDO
POR	PEDIDO



**TNRL 200**

## TNLL



ORDER	L <sup>+5</sup> <sub>-0</sub> (mm)
TNLL 200	200
TNLL 300	300
TNLL 400	400
TNLL 500	500
TNLL 630	630
TNLL 800	800
TNLL 1000	1000
TNLL 1200	1200
TNLL 1250	1250
TNLL 1500	1500
TNLL 2000	2000
TNLL 2500	2500
TNLL 3000	3000

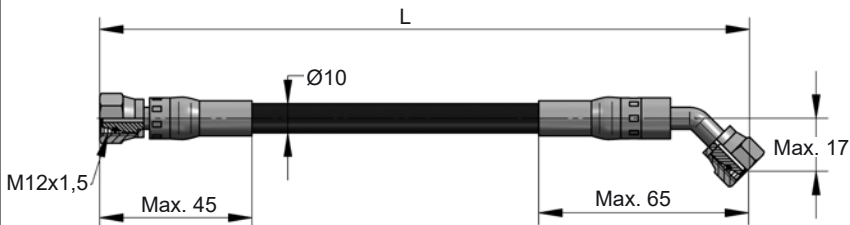


ENG	ORDER
DEU	BESTELL
FRA	COMMANDE
ITA	ORDINE
ESP	PEDIDO
POR	PEDIDO



**TNLL 200**

## TNRC



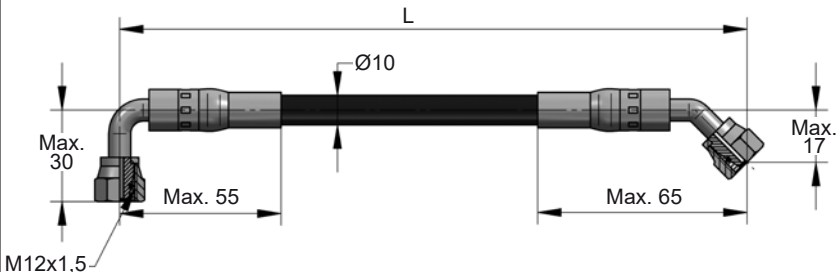
ORDER	L <sup>+5</sup> <sub>-0</sub> (mm)
TNRC 200	200
TNRC 300	300
TNRC 400	400
TNRC 500	500
TNRC 630	630
TNRC 800	800
TNRC 1000	1000
TNRC 1200	1200
TNRC 1250	1250
TNRC 1500	1500
TNRC 2000	2000
TNRC 2500	2500
TNRC 3000	3000



ENG ORDER  
DEU BESTELL  
FRA COMMANDE  
ITA ORDINE  
ESP PEDIDO  
POR PEDIDO



## TNLC



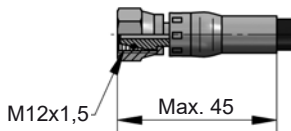
ORDER	L <sup>+5</sup> <sub>-0</sub> (mm)
TNLC 200	200
TNLC 300	300
TNLC 400	400
TNLC 500	500
TNLC 630	630
TNLC 800	800
TNLC 1000	1000
TNLC 1200	1200
TNLC 1250	1250
TNLC 1500	1500
TNLC 2000	2000
TNLC 2500	2500
TNLC 3000	3000



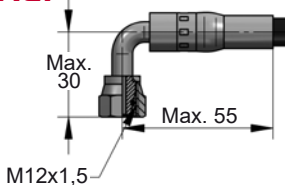
ENG ORDER  
DEU BESTELL  
FRA COMMANDE  
ITA ORDINE  
ESP PEDIDO  
POR PEDIDO



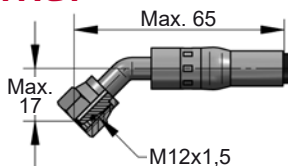
## TNRT



## TNLT



## TNCT



## GF 05

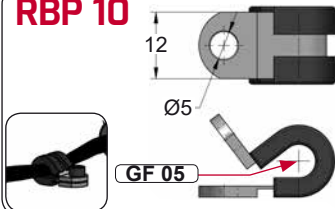


**Pmax**  
345 bar

**Tmax**  
100 °C

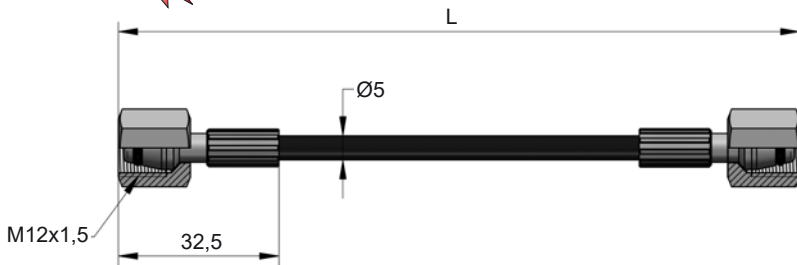
**Rmin**  
40 mm

## RBP 10



# M12 x 1,5 (Ø5)

Hosed Systems

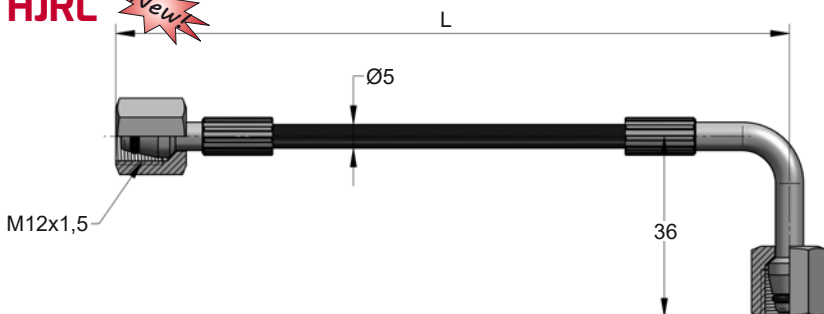
**AZOL**  
**GAS**
**HJRR**


ORDER	L <sup>+5</sup> <sub>-0</sub> (mm)
HJRR 200	200
HJRR 300	300
HJRR 400	400
HJRR 500	500
HJRR 630	630
HJRR 800	800
HJRR 1000	1000
HJRR 1200	1200
HJRR 1250	1250
HJRR 1500	1500
HJRR 2000	2000
HJRR 2500	2500
HJRR 3000	3000



ENG	ORDER
DEU	BESTELL
FRA	COMMANDE
ITA	ORDINE
ESP	PEDIDO
POR	PEDIDO


**HJRR 200**

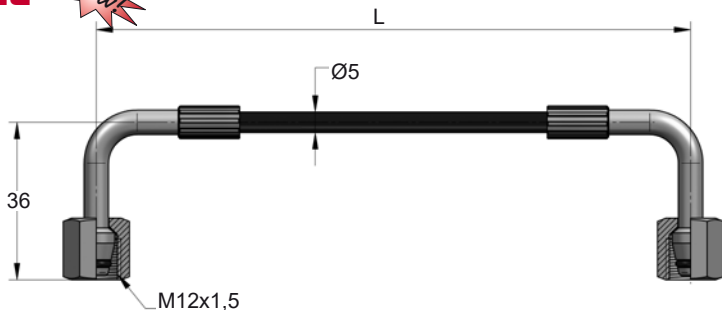
**HJRR 200 G**
**HJRL**


ORDER	L <sup>+5</sup> <sub>-0</sub> (mm)
HJRL 200	200
HJRL 300	300
HJRL 400	400
HJRL 500	500
HJRL 630	630
HJRL 800	800
HJRL 1000	1000
HJRL 1200	1200
HJRL 1250	1250
HJRL 1500	1500
HJRL 2000	2000
HJRL 2500	2500
HJRL 3000	3000



ENG	ORDER
DEU	BESTELL
FRA	COMMANDE
ITA	ORDINE
ESP	PEDIDO
POR	PEDIDO


**HJRL 200**

**HJRL 200 G**
**HJLL**


ORDER	L <sup>+5</sup> <sub>-0</sub> (mm)
HJLL 200	200
HJLL 300	300
HJLL 400	400
HJLL 500	500
HJLL 630	630
HJLL 800	800
HJLL 1000	1000
HJLL 1200	1200
HJLL 1250	1250
HJLL 1500	1500
HJLL 2000	2000
HJLL 2500	2500
HJLL 3000	3000



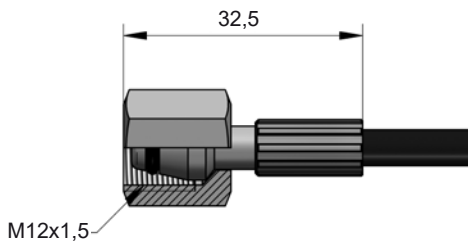
ENG	ORDER
DEU	BESTELL
FRA	COMMANDE
ITA	ORDINE
ESP	PEDIDO
POR	PEDIDO


**HJLL 200**

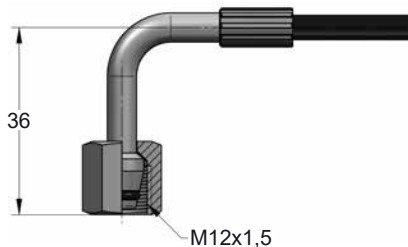
**HJLL 200 G**



## HJRT



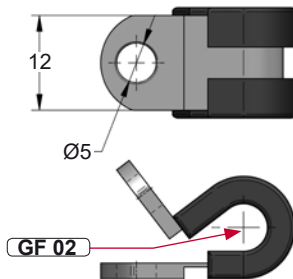
## HJLT



## GF 02



## RBP 5

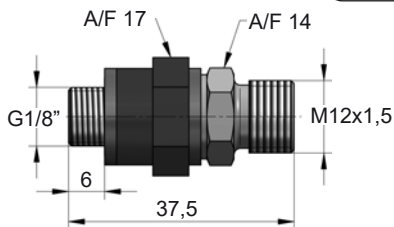


# M12 x 1,5 (Ø5/Ø10)

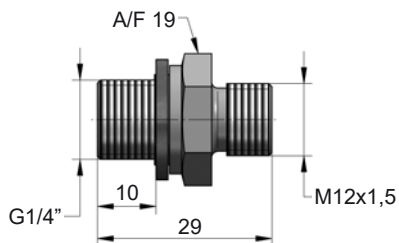
Hosed Systems

**AZOL  
GAS** 

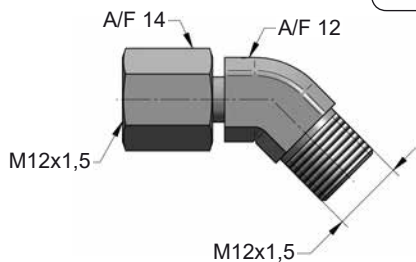
## DRM8



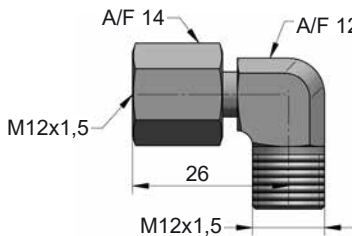
## DRM4



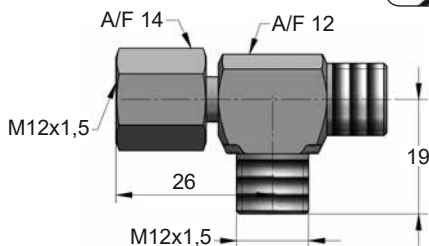
## DLFD



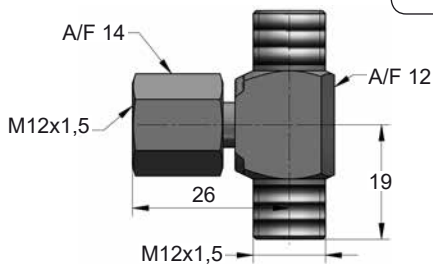
## DCFD



## DWFD



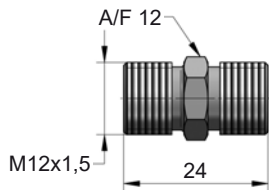
## DTFD



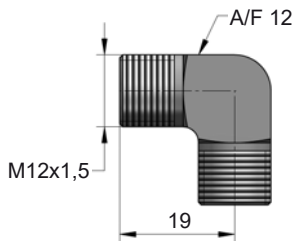
# M12 x 1,5 (Ø5/Ø10)

Hosed Systems

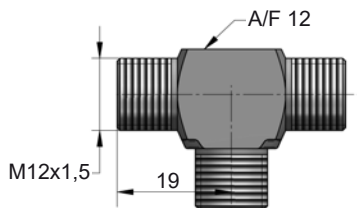
## DIMD



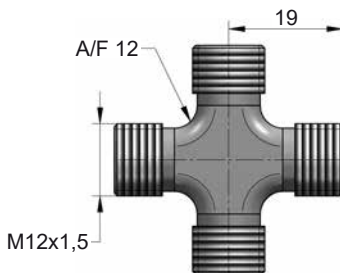
## DCMD



## DTMD



## DXMD

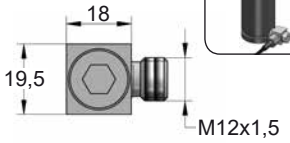


# M12 x 1,5 (Ø5/Ø10)

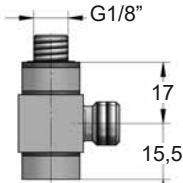


Hosed Systems

## DM 01 17 *New!*



M12x1,5

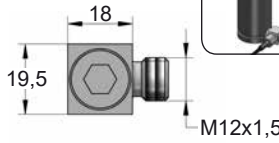


G1/8"

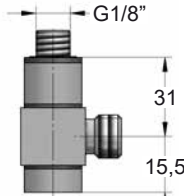
17

15,5

## DM 01 31 *New!*



M12x1,5

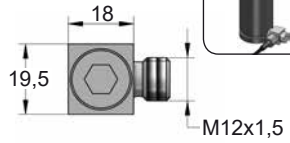


G1/8"

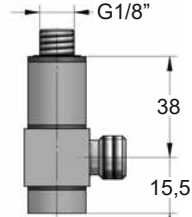
31

15,5

## DM 01 38 *New!*



M12x1,5

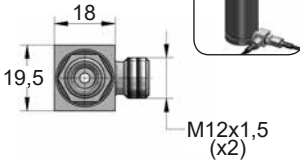


G1/8"

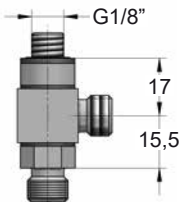
38

15,5

## DM 02 43 *New!*



M12x1,5 (x2)

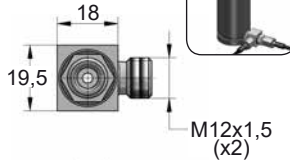


G1/8"

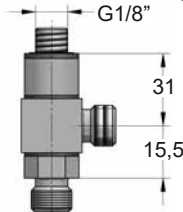
17

15,5

## DM 02 57 *New!*



M12x1,5 (x2)

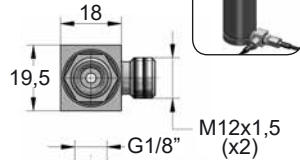


G1/8"

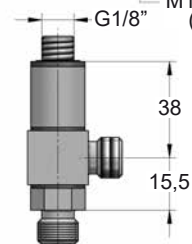
31

15,5

## DM 02 64 *New!*



M12x1,5 (x2)

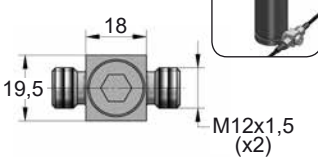


G1/8"

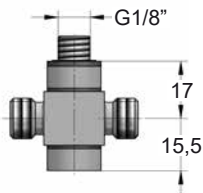
38

15,5

## DM 03 17 *New!*



M12x1,5 (x2)

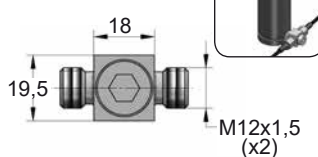


G1/8"

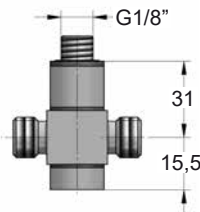
17

15,5

## DM 03 31 *New!*



M12x1,5 (x2)

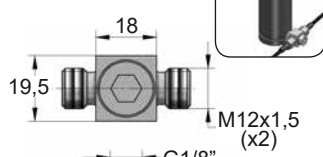


G1/8"

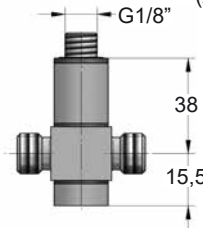
31

15,5

## DM 03 38 *New!*



M12x1,5 (x2)



G1/8"

38

15,5

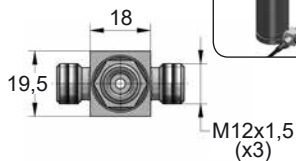
**AZOL**  
**GAS**

# M12 x 1,5 (Ø5/Ø10)

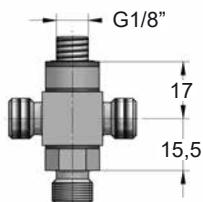
Hood Systems



## DM 04 43



M12x1,5  
(x3)

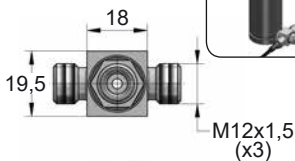


G1/8"

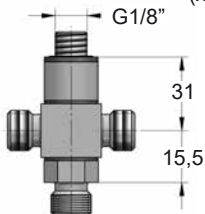
17

15,5

## DM 04 57



M12x1,5  
(x3)



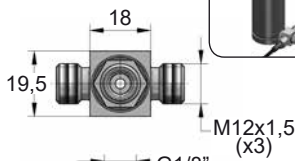
G1/8"

31

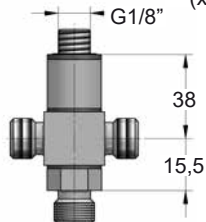
15,5



## DM 04 64



M12x1,5  
(x3)



G1/8"

38

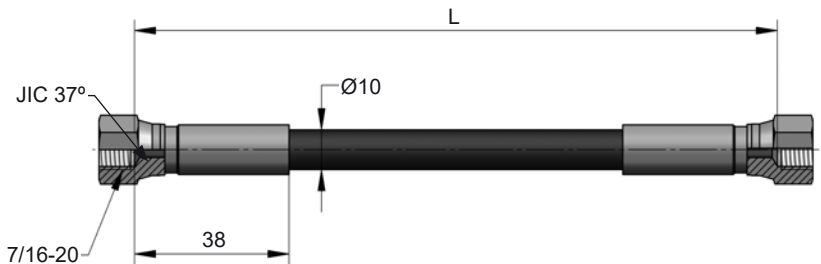
15,5

# 7/16" UNF (Ø10)



Hosed Systems

## TFRR



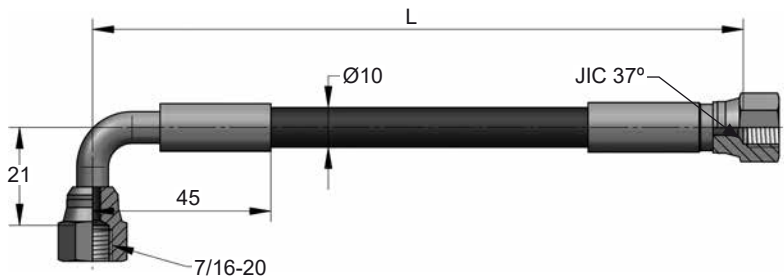
ORDER	L <sup>+5</sup> <sub>-0</sub> (mm)
TFRR 200	200
TFRR 300	300
TFRR 400	400
TFRR 500	500
TFRR 630	630
TFRR 800	800
TFRR 1000	1000
TFRR 1200	1200
TFRR 1250	1250
TFRR 1500	1500
TFRR 2000	2000
TFRR 2500	2500
TFRR 3000	3000



ENG	ORDER
DEU	BESTELL
FRA	COMMANDE
ITA	ORDINE
ESP	PEDIDO
POR	PEDIDO



## TFRL



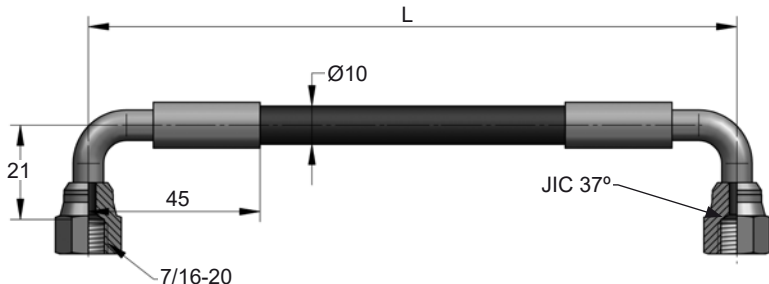
ORDER	L <sup>+5</sup> <sub>-0</sub> (mm)
TFRL 200	200
TFRL 300	300
TFRL 400	400
TFRL 500	500
TFRL 630	630
TFRL 800	800
TFRL 1000	1000
TFRL 1200	1200
TFRL 1250	1250
TFRL 1500	1500
TFRL 2000	2000
TFRL 2500	2500
TFRL 3000	3000



ENG	ORDER
DEU	BESTELL
FRA	COMMANDE
ITA	ORDINE
ESP	PEDIDO
POR	PEDIDO



## TFLL



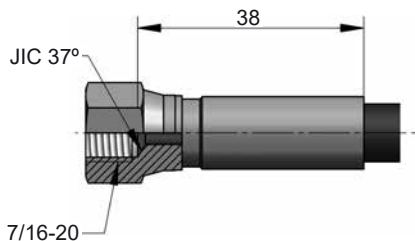
ORDER	L <sup>+5</sup> <sub>-0</sub> (mm)
TFLL 200	200
TFLL 300	300
TFLL 400	400
TFLL 500	500
TFLL 630	630
TFLL 800	800
TFLL 1000	1000
TFLL 1200	1200
TFLL 1250	1250
TFLL 1500	1500
TFLL 2000	2000
TFLL 2500	2500
TFLL 3000	3000



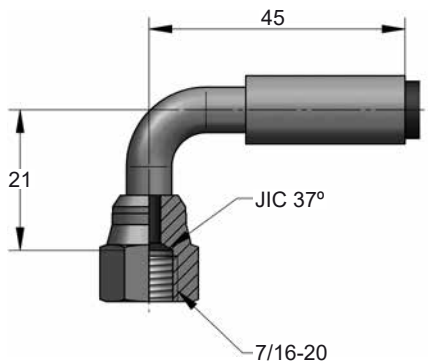
ENG	ORDER
DEU	BESTELL
FRA	COMMANDE
ITA	ORDINE
ESP	PEDIDO
POR	PEDIDO



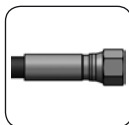
## TFRT



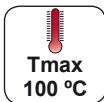
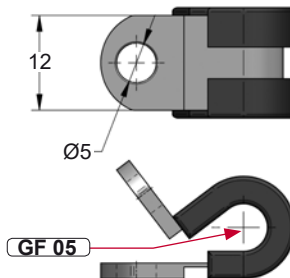
## TFLT



## GF 05



## RBP 10

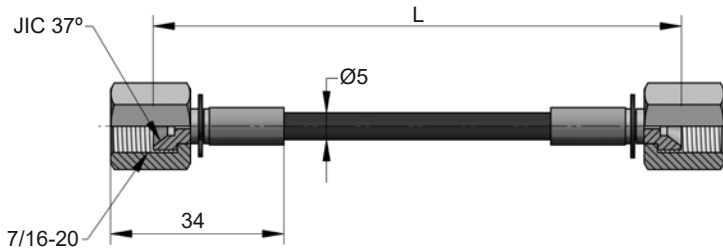


# 7/16" UNF (Ø5)

Hosed Systems

**AZOL**  
GAS 

## SMRR



ORDER	L <sup>+5</sup> <sub>-0</sub> (mm)
SMRR 200	200
SMRR 300	300
SMRR 400	400
SMRR 500	500
SMRR 630	630
SMRR 800	800
SMRR 1000	1000
SMRR 1200	1200
SMRR 1250	1250
SMRR 1500	1500
SMRR 2000	2000
SMRR 2500	2500
SMRR 3000	3000



ENG	ORDER
DEU	BESTELL
FRA	COMMANDE
ITA	ORDINE
ESP	PEDIDO
POR	PEDIDO



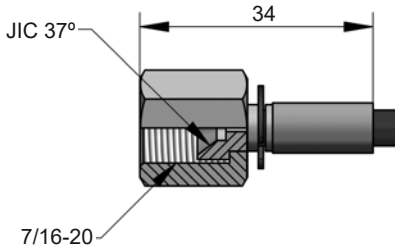
**SMRR 200**



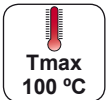
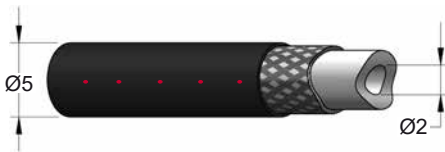
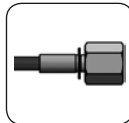
**SMRR 200 G**



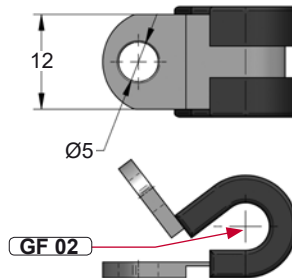
## SMRT



## GF 02



## RBP 5

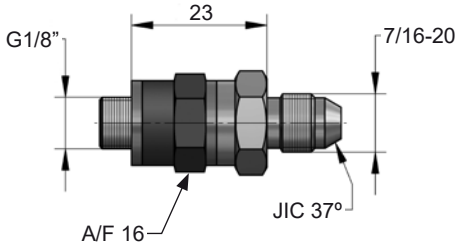


# 7/16" UNF (Ø5/Ø10)

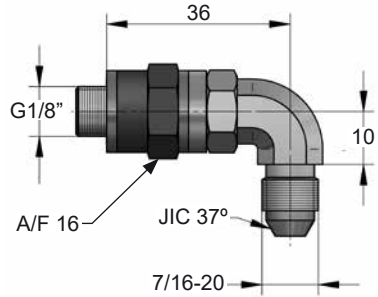
Hosed Systems

**AZOL  
GAS** 

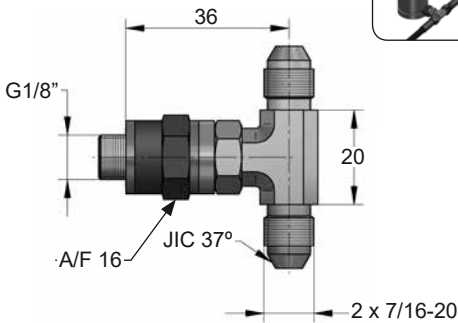
## 7RM8



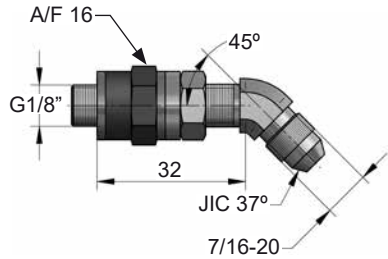
## 7CM8



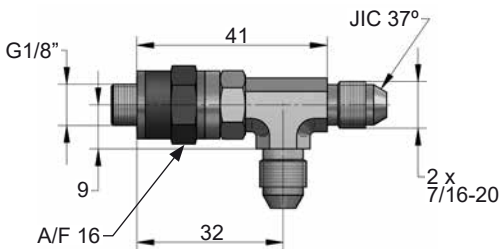
## 7EM8



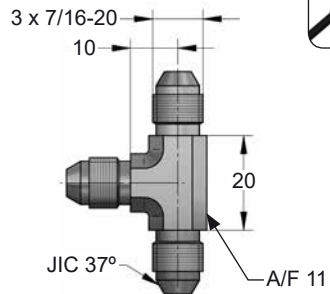
## 7LM8



## 7TL8



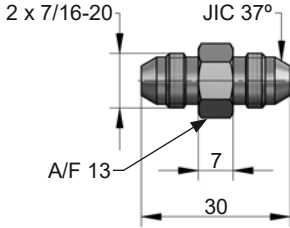
## 7TM7



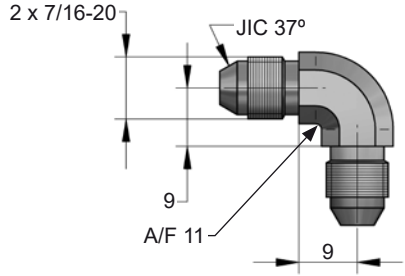
# 7/16" UNF (Ø5/Ø10)

Hosed Systems

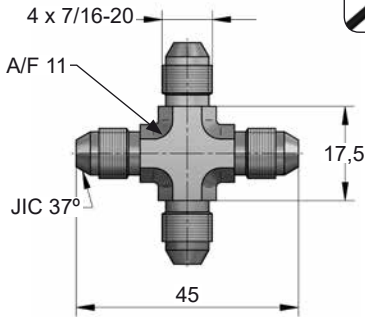
## 7IM7



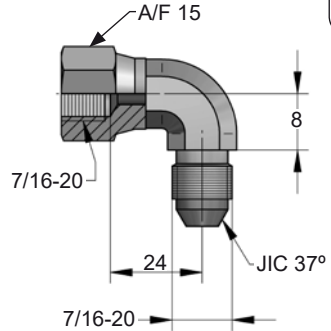
## 7NM7



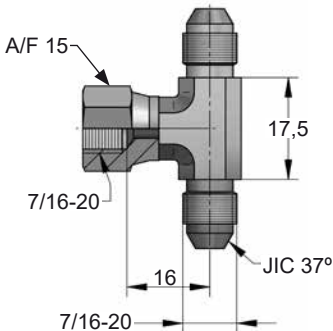
## 7XM7



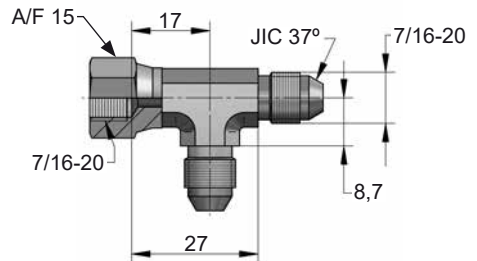
## 7CF7



## 7TF7



## 7WF7

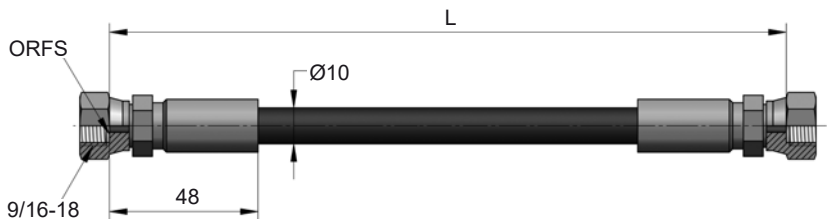


# 9/16" UNF (Ø10)

Hosed Systems

**AZOL**  
**GAS**

## MCRR



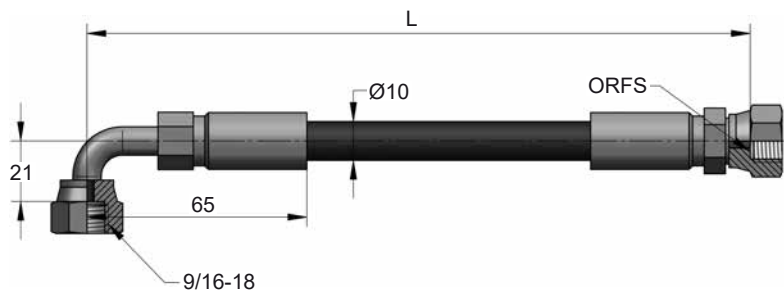
ORDER	L <sup>+5</sup> <sub>-0</sub> (mm)
MCRR 200	200
MCRR 300	300
MCRR 400	400
MCRR 500	500
MCRR 630	630
MCRR 800	800
MCRR 1000	1000
MCRR 1200	1200
MCRR 1250	1250
MCRR 1500	1500
MCRR 2000	2000



ENG	ORDER
DEU	BESTELL
FRA	COMMANDE
ITA	ORDINE
ESP	PEDIDO
POR	PEDIDO



## MCRL



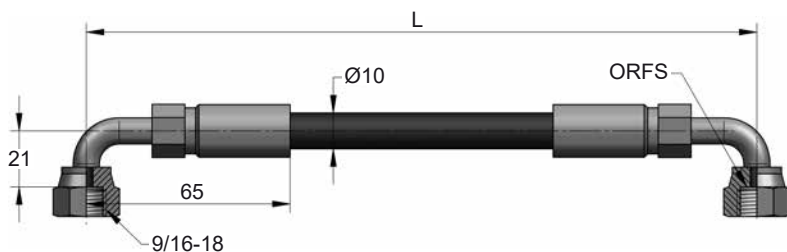
ORDER	L <sup>+5</sup> <sub>-0</sub> (mm)
MCRL 200	200
MCRL 300	300
MCRL 400	400
MCRL 500	500
MCRL 630	630
MCRL 800	800
MCRL 1000	1000
MCRL 1200	1200
MCRL 1250	1250
MCRL 1500	1500
MCRL 2000	2000
MCRL 2500	2500
MCRL 3000	3000



ENG	ORDER
DEU	BESTELL
FRA	COMMANDE
ITA	ORDINE
ESP	PEDIDO
POR	PEDIDO



## MCLL



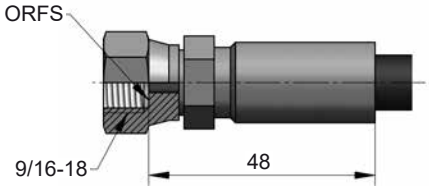
ORDER	L <sup>+5</sup> <sub>-0</sub> (mm)
MCLL 200	200
MCLL 300	300
MCLL 400	400
MCLL 500	500
MCLL 630	630
MCLL 800	800
MCLL 1000	1000
MCLL 1200	1200
MCLL 1250	1250
MCLL 1500	1500
MCLL 2000	2000
MCLL 2500	2500
MCLL 3000	3000



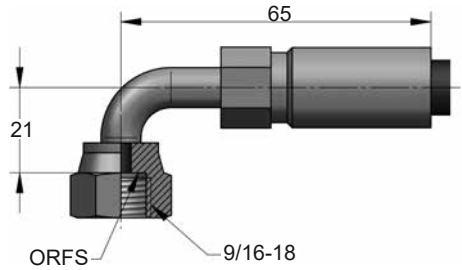
ENG	ORDER
DEU	BESTELL
FRA	COMMANDE
ITA	ORDINE
ESP	PEDIDO
POR	PEDIDO



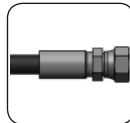
## MCRT



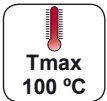
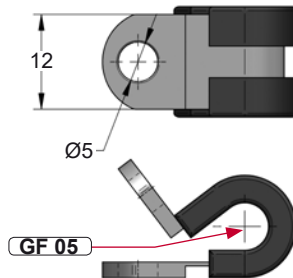
## MCLT



## GF 05



## RBP 10

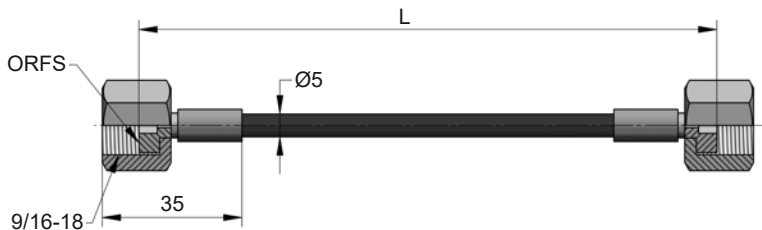


# 9/16" UNF (Ø5)

Hosed Systems

**AZOL**  
**GAS**

## GTRR



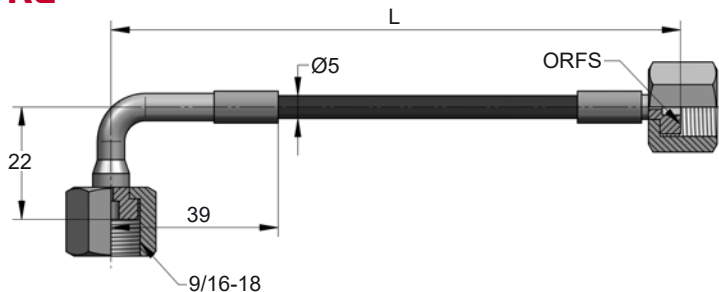
ORDER	L <sup>+5</sup> <sub>-0</sub> (mm)
GTRR 200	200
GTRR 300	300
GTRR 400	400
GTRR 500	500
GTRR 630	630
GTRR 800	800
GTRR 1000	1000
GTRR 1200	1200
GTRR 1250	1250
GTRR 1500	1500
GTRR 2000	2000



ENG	ORDER
DEU	BESTELL
FRA	COMMANDE
ITA	ORDINE
ESP	PEDIDO
POR	PEDIDO



## GTRL



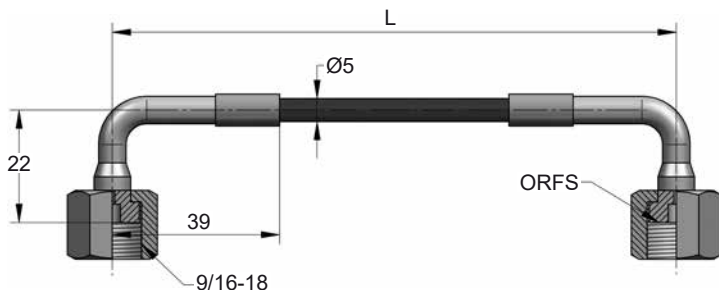
ORDER	L <sup>+5</sup> <sub>-0</sub> (mm)
GTRL 200	200
GTRL 300	300
GTRL 400	400
GTRL 500	500
GTRL 630	630
GTRL 800	800
GTRL 1000	1000
GTRL 1200	1200
GTRL 1250	1250
GTRL 1500	1500
GTRL 2000	2000
GTRL 2500	2500
GTRL 3000	3000



ENG	ORDER
DEU	BESTELL
FRA	COMMANDE
ITA	ORDINE
ESP	PEDIDO
POR	PEDIDO



## GTLL



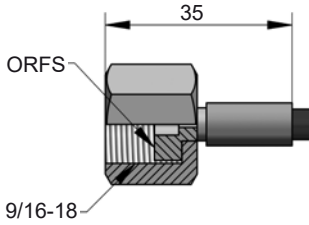
ORDER	L <sup>+5</sup> <sub>-0</sub> (mm)
GTLL 200	200
GTLL 300	300
GTLL 400	400
GTLL 500	500
GTLL 630	630
GTLL 800	800
GTLL 1000	1000
GTLL 1200	1200
GTLL 1250	1250
GTLL 1500	1500
GTLL 2000	2000
GTLL 2500	2500
GTLL 3000	3000



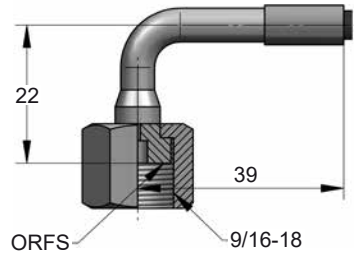
ENG	ORDER
DEU	BESTELL
FRA	COMMANDE
ITA	ORDINE
ESP	PEDIDO
POR	PEDIDO



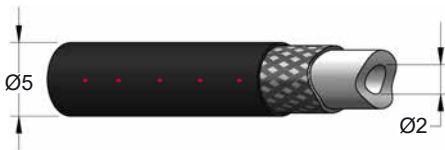
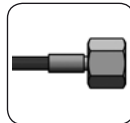
**GTRT**



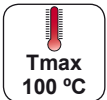
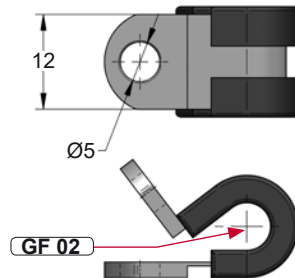
**GTLT**



**GF 02**



**RBP 5**

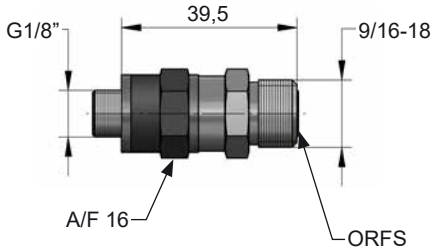


# 9/16" UNF (Ø5/Ø10)

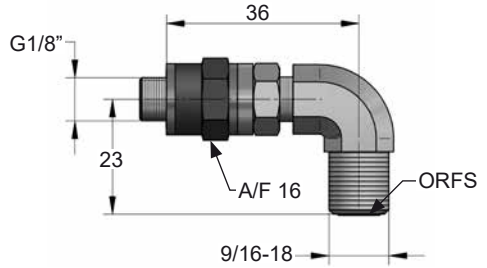


Hosed Systems

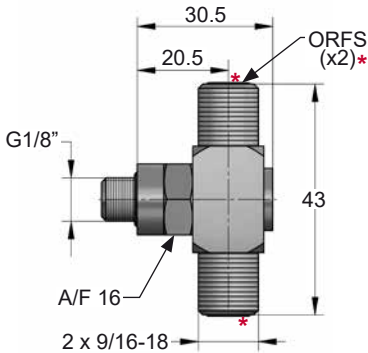
## 9RM8



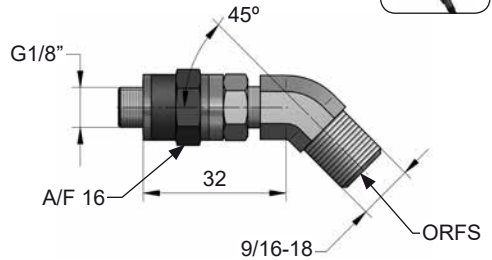
## 9CM8



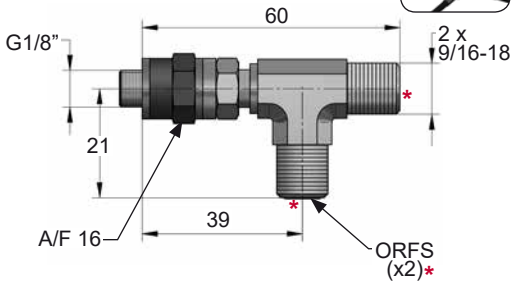
## 9EM8



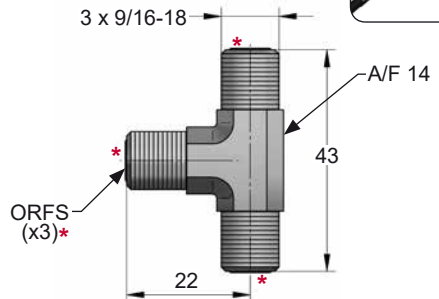
## 9LM8



## 9TL8

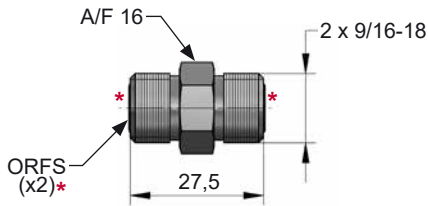


## 9TM9

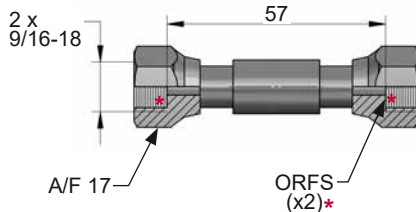




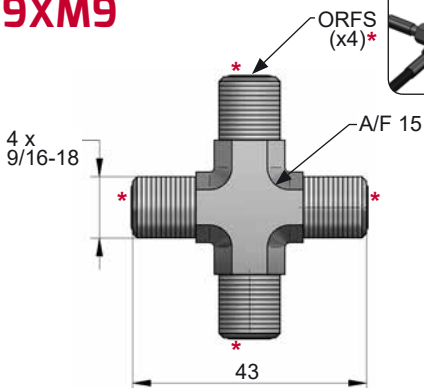
## 9IM9



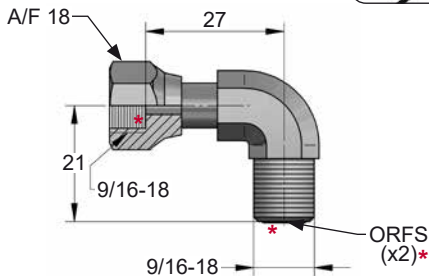
## 9SR9



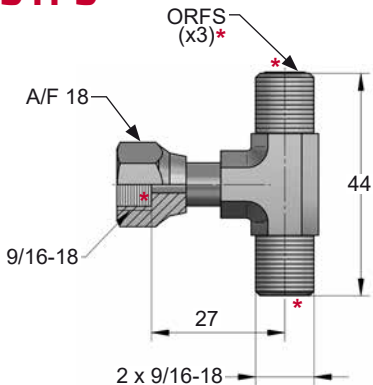
## 9XM9



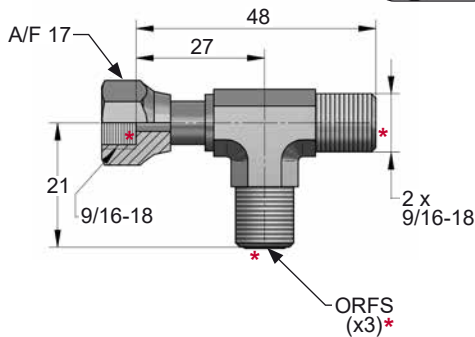
## 9CF9



## 9TF9



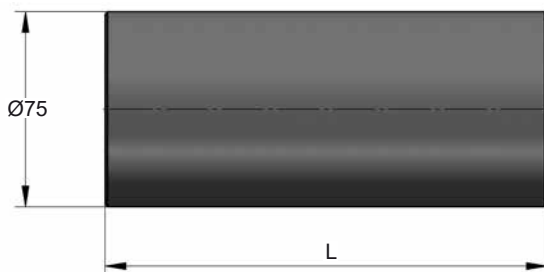
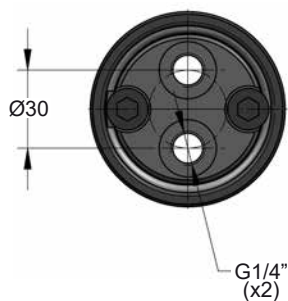
## 9WF9




# COMPENSATION TANKS

*Hosed Systems*

## DFC 75

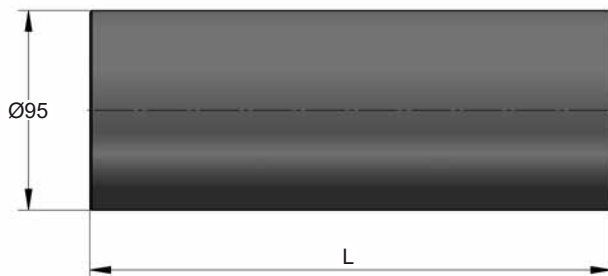
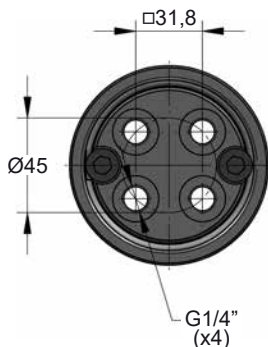


ORDER	Vol. (l)	L (mm)
<b>DFC 75 025</b>	0.25	170
<b>DFC 75 050</b>	0.50	250
<b>DFC 75 100</b>	1.00	410



	ENG ORDER	
	DEU BESTELL	
	FRA COMMANDE	
	ITA ORDINE	
	ESP PEDIDO	
POR PEDIDO		

**DFC 75 025**

## DFC 95

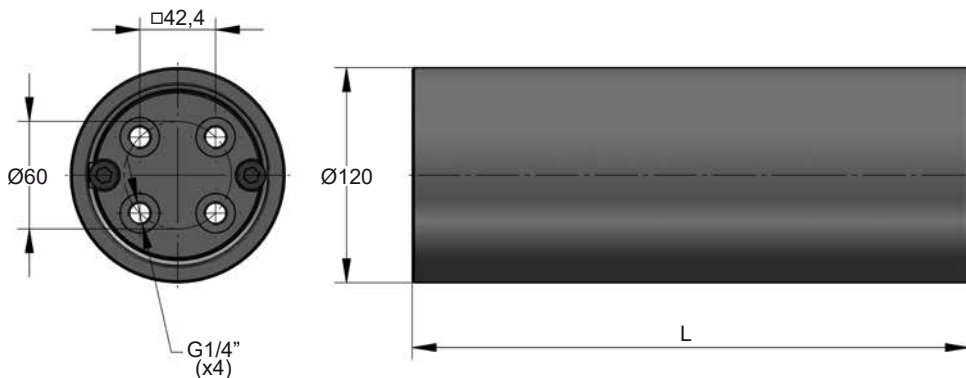


ORDER	Vol. (l)	L (mm)
<b>DFC 95 100</b>	1.00	300
<b>DFC 95 200</b>	2.00	500
<b>DFC 95 300</b>	3.00	700
<b>DFC 95 400</b>	4.00	900

	ENG ORDER	
	DEU BESTELL	
	FRA COMMANDE	
	ITA ORDINE	
	ESP PEDIDO	
POR PEDIDO		

**DFC 95 100**

## DFC 120

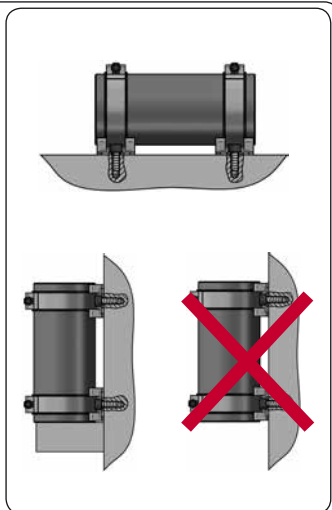
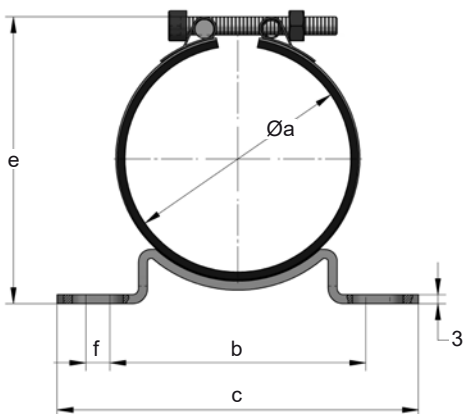


ORDER	Vol. (l)	L (mm)
<b>DFC 120 200</b>	2.00	360
<b>DFC 120 400</b>	4.00	615
<b>DFC 120 800</b>	8.00	1125

	ENG ORDER	
	DEU BESTELL	
	FRA COMMANDE	
	ITA ORDINE	
	ESP PEDIDO	
POR PEDIDO		

**DFC 120 200**

## ADCB



ORDER	Øa (mm)	b (mm)	c (mm)	d (mm)	e (mm)	f (mm)
<b>ADCB 75</b>	75	85	120	40	96	8
<b>ADCB 95</b>	95	85	120	40	115	8
<b>ADCB 120</b>	120	100	156	50	154	18

	ENG ORDER	
	DEU BESTELL	
	FRA COMMANDE	
	ITA ORDINE	
	ESP PEDIDO	
POR PEDIDO		

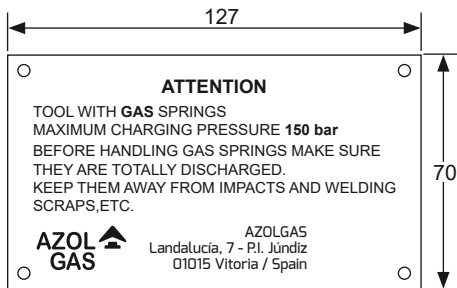
**ADCB 75**

# DIE INFORMATION TAGS

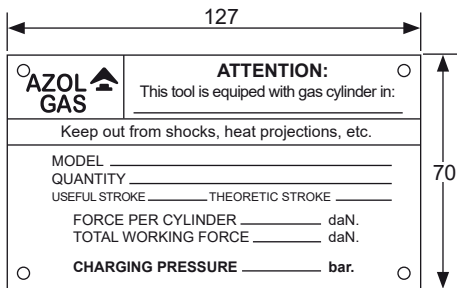


Hosed Systems

## PI-01



## PI-02



ENG	ORDER
DEU	BESTELL
FRA	COMMANDE
ITA	ORDINE
ESP	PEDIDO
POR	PEDIDO

**ATTENTION**

TOOL WITH GAS SPRINGS  
 MAXIMUM CHARGING PRESSURE 150 bar  
 BEFORE HANDLING GAS SPRINGS MAKE SURE  
 THEY ARE TOTALLY DISCHARGED.  
 KEEP THEM AWAY FROM IMPACTS AND WELDING  
 SCRAPS, ETC.

**AZOL GAS** AZOLGAS  
Landalucía, 7 - P.I. Jüindiz  
01015 Vitoria / Spain

### PI-01-ENG

PI-01-ESP	SPANISH
PI-01-ENG	ENGLISH
PI-01-ITA	ITALIAN
PI-01-FRE	FRENCH
PI-01-GER	GERMAN
PI-01-POR	PORTUGUESE

PI-01-POL	POLISH
PI-01-TUR	TURKISH
PI-01-RUS	RUSSIAN
PI-01-CHI	CHINESE
PI-01-JAP	JAPANESE
PI-01-KOR	KOREAN

ENG	ORDER
DEU	BESTELL
FRA	COMMANDE
ITA	ORDINE
ESP	PEDIDO
POR	PEDIDO

**ATTENTION:**  
 This tool is equipped with gas cylinder in:

Keep out from shocks, heat projections, etc.

MODEL \_\_\_\_\_  
 QUANTITY \_\_\_\_\_  
 USEFUL STROKE \_\_\_\_\_ THEORETIC STROKE \_\_\_\_\_

FORCE PER CYLINDER \_\_\_\_\_ daN.  
 TOTAL WORKING FORCE \_\_\_\_\_ daN.

CHARGING PRESSURE \_\_\_\_\_ bar.

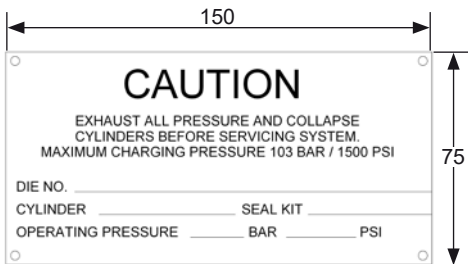
### PI-02-ENG

PI-02-ESP	SPANISH
PI-02-ENG	ENGLISH
PI-02-ITA	ITALIAN
PI-02-FRE	FRENCH
PI-02-GER	GERMAN
PI-02-POR	PORTUGUESE

PI-02-POL	POLISH
PI-02-TUR	TURKISH
PI-02-RUS	RUSSIAN
PI-02-CHI	CHINESE
PI-02-JAP	JAPANESE
PI-02-KOR	KOREAN

## PI-11

GM 90.20.09



## PI-12

GM 90.20.08



ENG	ORDER
DEU	BESTELL
FRA	COMMANDE
ITA	ORDINE
ESP	PEDIDO
POR	PEDIDO

**CAUTION**

EXHAUST ALL PRESSURE AND COLLAPSE  
 CYLINDERS BEFORE SERVICING SYSTEM.  
 MAXIMUM CHARGING PRESSURE 103 BAR / 1500 PSI

DIE NO. \_\_\_\_\_  
 CYLINDER \_\_\_\_\_ SEAL KIT \_\_\_\_\_  
 OPERATING PRESSURE \_\_\_\_\_ BAR \_\_\_\_\_ PSI

### PI-11-ENG

PI-11-ESP	SPANISH
PI-11-ENG	ENGLISH
PI-11-GER	GERMAN
PI-11-FRE	FRENCH
PI-11-POR	PORTUGUESE
PI-11-POL	POLISH

PI-11-TUR	TURKISH
PI-11-RUS	RUSSIAN
PI-11-THA	THAI
PI-11-CHI	CHINESE
PI-11-JAP	JAPANESE
PI-11-KOR	KOREAN

ENG	ORDER
DEU	BESTELL
FRA	COMMANDE
ITA	ORDINE
ESP	PEDIDO
POR	PEDIDO

**CAUTION**

EXHAUST ALL PRESSURE AND COLLAPSE  
 CYLINDERS BEFORE SERVICING SYSTEM.  
 MAXIMUM CHARGING PRESSURE 150 BAR / 2175 PSI

DIE NO. \_\_\_\_\_  
 CYLINDER \_\_\_\_\_ SEAL KIT \_\_\_\_\_  
 OPERATING PRESSURE \_\_\_\_\_ BAR \_\_\_\_\_ PSI

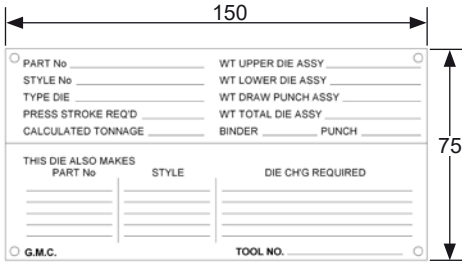
### PI-12-ENG

PI-12-ESP	SPANISH
PI-12-ENG	ENGLISH
PI-12-GER	GERMAN
PI-12-FRE	FRENCH
PI-12-POR	PORTUGUESE
PI-12-POL	POLISH

PI-12-TUR	TURKISH
PI-12-RUS	RUSSIAN
PI-12-THA	THAI
PI-12-CHI	CHINESE
PI-12-JAP	JAPANESE
PI-12-KOR	KOREAN

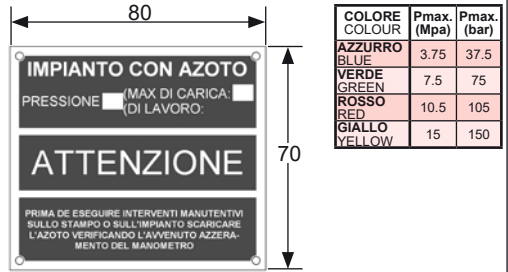
## PI-21

**GM 90.20.07**



## PI-22

**FIAT A0.15.01**



ENG ORDER	ITA ORDINE
DEU BESTELL	ESP PEDIDO
FRA COMMANDE	POR PEDIDO

PI-21-ENG

ENG ORDER	ITA ORDINE
DEU BESTELL	ESP PEDIDO
FRA COMMANDE	POR PEDIDO

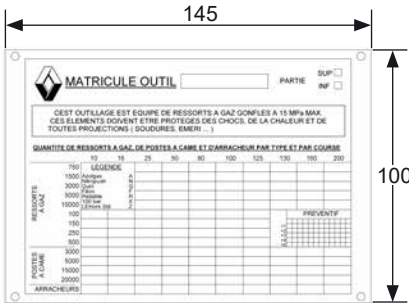
PI-22-ITA GIALLO

PI-21-ESP	SPANISH	PI-21-TUR	TURKISH
PI-21-ENG	ENGLISH	PI-21-RUS	RUSSIAN
PI-21-GER	GERMAN	PI-21-THA	THAI
PI-21-FRE	FRENCH	PI-21-CHI	CHINESE
PI-21-POR	PORTUGUESE	PI-21-JAP	JAPANESE
PI-21-POL	POLISH	PI-21-KOR	KOREAN

PI-22-ESP	SPANISH	PI-22-POL	POLISH
PI-22-ENG	ENGLISH	PI-22-SER	SERBIAN
PI-22-ITA	ITALIAN	PI-22-TUR	TURKISH
PI-22-FRE	FRENCH	PI-22-RUS	RUSSIAN
PI-22-POR	PORTUGUESE	PI-22-CHI	CHINESE

## PI-31

**EM24.54.700**

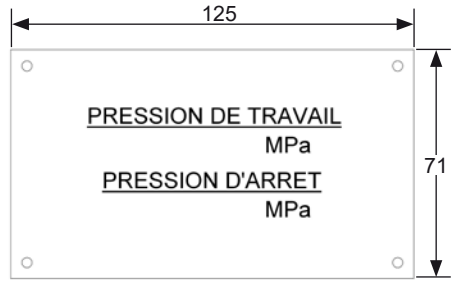


ENG ORDER	ITA ORDINE
DEU BESTELL	ESP PEDIDO
FRA COMMANDE	POR PEDIDO

PI-31-FRE

## PI-32

**EM24.54.700**



ENG ORDER	ITA ORDINE
DEU BESTELL	ESP PEDIDO
FRA COMMANDE	POR PEDIDO

PI-32-FRE

PI-31-ESP	SPANISH	PI-31-TUR	TURKISH
PI-31-ENG	ENGLISH	PI-31-RUS	RUSSIAN
PI-31-FRE	FRENCH	PI-31-CHI	CHINESE
PI-31-POR	PORTUGUESE	PI-31-JAP	JAPANESE
PI-31-ROM	ROMANIAN	PI-31-KOR	KOREAN

PI-32-ESP	SPANISH	PI-32-TUR	TURKISH
PI-32-ENG	ENGLISH	PI-32-RUS	RUSSIAN
PI-32-FRE	FRENCH	PI-32-CHI	CHINESE
PI-32-POR	PORTUGUESE	PI-32-JAP	JAPANESE
PI-32-ROM	ROMANIAN	PI-32-KOR	KOREAN

# DIE INFORMATION TAGS

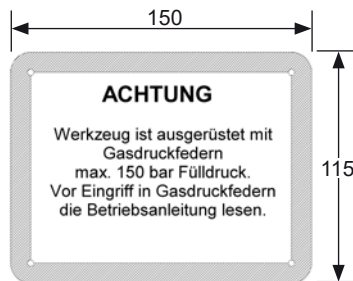
**AZOL  
GAS**
*Hosed Systems*
**PI-41**
**E24.54.815**

**ENG ORDER**  
**DEU BESTELL**  
**FRA COMMANDE**  
**ITA ORDINE**  
**ESP PEDIDO**  
**POR PEDIDO**

**PI-41-FRE**

<b>PI-41-ESP</b>	<b>SPANISH</b>
<b>PI-41-ENG</b>	<b>ENGLISH</b>
<b>PI-41-FRE</b>	<b>FRENCH</b>
<b>PI-41-POR</b>	<b>PORTUGUESE</b>
<b>PI-41-SLK</b>	<b>SLOVAK</b>

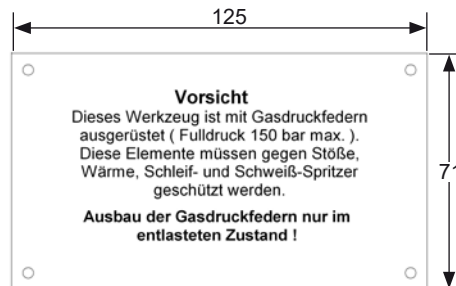
<b>PI-41-TUR</b>	<b>TURKISH</b>
<b>PI-41-RUS</b>	<b>RUSSIAN</b>
<b>PI-41-CHI</b>	<b>CHINESE</b>
<b>PI-41-JAP</b>	<b>JAPANESE</b>
<b>PI-41-KOR</b>	<b>KOREAN</b>

**PI-42**
**VW 39D 578**

**ENG ORDER**  
**DEU BESTELL**  
**FRA COMMANDE**  
**ITA ORDINE**  
**ESP PEDIDO**  
**POR PEDIDO**

**PI-42-GER**

<b>PI-42-ESP</b>	<b>SPANISH</b>
<b>PI-42-ENG</b>	<b>ENGLISH</b>
<b>PI-42-GER</b>	<b>GERMAN</b>
<b>PI-42-POR</b>	<b>PORTUGUESE</b>
<b>PI-42-CZE</b>	<b>CZECH</b>
<b>PI-42-POL</b>	<b>POLISH</b>

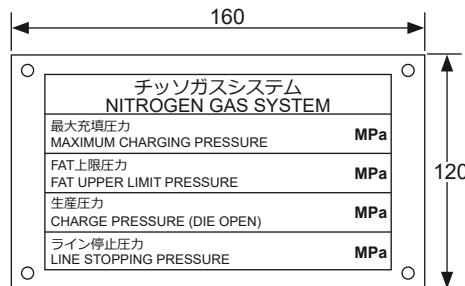
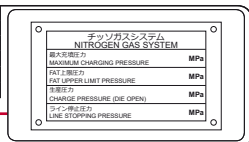
<b>PI-42-SLK</b>	<b>SLOVAK</b>
<b>PI-42-HUN</b>	<b>HUNGARIAN</b>
<b>PI-42-BOS</b>	<b>BOSNIAN</b>
<b>PI-42-RUS</b>	<b>RUSSIAN</b>
<b>PI-42-UKR</b>	<b>UKRANIAN</b>
<b>PI-42-CHI</b>	<b>CHINESE</b>

**PI-51**
**VDI 3003**

**ENG ORDER**  
**DEU BESTELL**  
**FRA COMMANDE**  
**ITA ORDINE**  
**ESP PEDIDO**  
**POR PEDIDO**

**PI-51-GER**

<b>PI-51-ESP</b>	<b>SPANISH</b>
<b>PI-51-ENG</b>	<b>ENGLISH</b>
<b>PI-51-GER</b>	<b>GERMAN</b>
<b>PI-51-POR</b>	<b>PORTUGUESE</b>
<b>PI-51-ITA</b>	<b>ITALIAN</b>
<b>PI-51-CZE</b>	<b>CZECH</b>

<b>PI-51-POL</b>	<b>POLISH</b>
<b>PI-51-SLK</b>	<b>SLOVAK</b>
<b>PI-51-HUN</b>	<b>HUNGARIAN</b>
<b>PI-51-RUS</b>	<b>RUSSIAN</b>
<b>PI-51-CHI</b>	<b>CHINESE</b>
<b>PI-51-JAP</b>	<b>JAPANESE</b>

**PI-52**
**SMS DKH 321 1n**

**ENG ORDER**  
**DEU BESTELL**  
**FRA COMMANDE**  
**ITA ORDINE**  
**ESP PEDIDO**  
**POR PEDIDO**

**PI-52-JAP**

<b>PI-52-ESP</b>	<b>SPANISH</b>
<b>PI-52-JAP</b>	<b>JAPANESE</b>
<b>PI-52-ENG</b>	<b>ENGLISH</b>
<b>PI-52-POR</b>	<b>PORTUGUESE</b>
<b>PI-52-FRE</b>	<b>FRENCH</b>

<b>PI-52-TUR</b>	<b>TURKISH</b>
<b>PI-52-RUS</b>	<b>RUSSIAN</b>
<b>PI-52-THA</b>	<b>THAI</b>
<b>PI-52-INS</b>	<b>INDONESIAN</b>

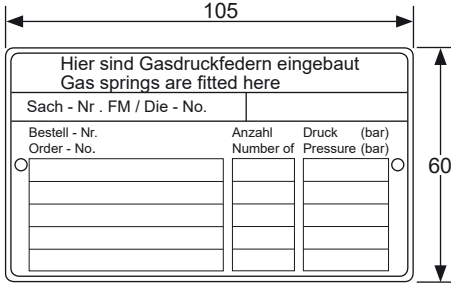


# DIE INFORMATION TAGS

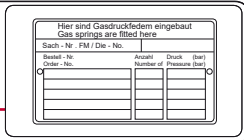
Hosed Systems

**PI-53**

**B2 5707**



	ENG ORDER
	DEU BESTELL
	FRA COMMANDE
	ITA ORDINE
	ESP PEDIDO
POR PEDIDO	



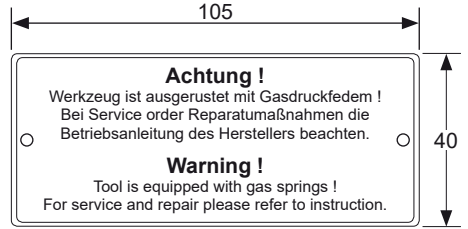
**PI-53-GER**

<b>PI-53-ESP</b>	SPANISH
<b>PI-53-GER</b>	GERMAN
<b>PI-53-ENG</b>	ENGLISH
<b>PI-53-RUS</b>	RUSSIAN

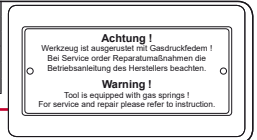
<b>PI-53-CHI</b>	CHINESE
<b>PI-53-THA</b>	THAI
<b>PI-53-MAL</b>	MALAYSIAN
<b>PI-53-INS</b>	INDONESIAN

**PI-54**

**B2 5707**



	ENG ORDER
	DEU BESTELL
	FRA COMMANDE
	ITA ORDINE
	ESP PEDIDO
POR PEDIDO	



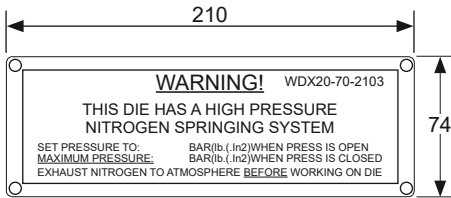
**PI-54-GER**

<b>PI-54-ESP</b>	SPANISH
<b>PI-54-GER</b>	GERMAN
<b>PI-54-ENG</b>	ENGLISH
<b>PI-54-RUS</b>	RUSSIAN

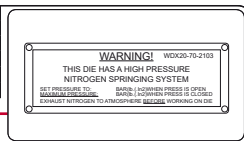
<b>PI-54-CHI</b>	CHINESE
<b>PI-54-THA</b>	THAI
<b>PI-54-MAL</b>	MALAYSIAN
<b>PI-54-INS</b>	INDONESIAN

**PI-55**

**WDX20-70-2**



	ENG ORDER
	DEU BESTELL
	FRA COMMANDE
	ITA ORDINE
	ESP PEDIDO
POR PEDIDO	



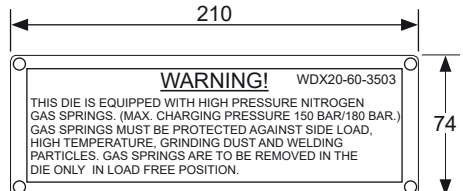
**PI-55-ENG**

<b>PI-55-GER</b>	GERMAN
<b>PI-55-DUT</b>	DUTCH
<b>PI-55-ENG</b>	ENGLISH
<b>PI-55-ESP</b>	SPANISH
<b>PI-55-POR</b>	PORTUGUESE
<b>PI-55-ROM</b>	ROMANIAN

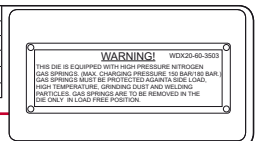
<b>PI-55-FRE</b>	FRENCH
<b>PI-55-TUR</b>	TURKISH
<b>PI-55-RUS</b>	RUSSIAN
<b>PI-55-CHI</b>	CHINESE
<b>PI-55-THA</b>	THAI
<b>PI-55-MAL</b>	MALAYSIAN

**PI-56**

**WDX20-70-35**



	ENG ORDER
	DEU BESTELL
	FRA COMMANDE
	ITA ORDINE
	ESP PEDIDO
POR PEDIDO	



**PI-56-ENG**

<b>PI-56-GER</b>	GERMAN
<b>PI-56-DUT</b>	DUTCH
<b>PI-56-ENG</b>	ENGLISH
<b>PI-56-ESP</b>	SPANISH
<b>PI-56-POR</b>	PORTUGUESE
<b>PI-56-ROM</b>	ROMANIAN

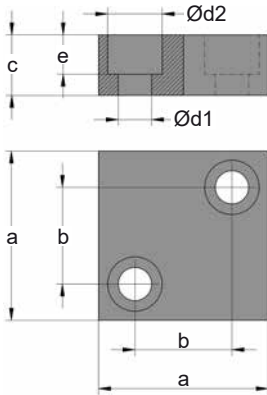
<b>PI-56-FRE</b>	FRENCH
<b>PI-56-TUR</b>	TURKISH
<b>PI-56-RUS</b>	RUSSIAN
<b>PI-56-CHI</b>	CHINESE
<b>PI-56-THA</b>	THAI
<b>PI-56-MAL</b>	MALAYSIAN

# STRIKER PLATES

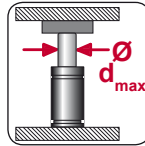
**AZOL  
GAS**

Accessories

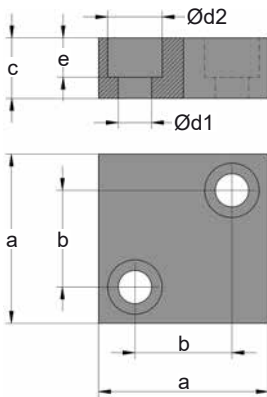
## SPFI

**STQ.70040**


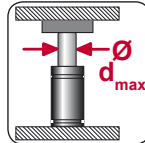
ORDER	Ø <sub>d<sub>max</sub></sub>	a (mm)	b (mm)	c (mm)	Ød1 (mm)	Ød2 (mm)	e (mm)
SPFI 001	15	40	21	15	9	15	10
SPFI 002	25	56	32	20	11	18	13
SPFI 003	50	71	48	20	11	18	13
SPFI 004	65	90	67	20	11	18	13
SPFI 005	95	140	110	20	11	18	13



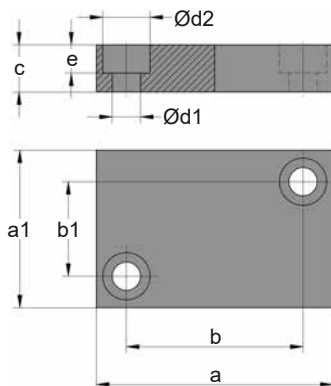
## SPVD

**VDI 3003**


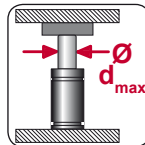
ORDER	Ø <sub>d<sub>max</sub></sub>	a (mm)	b (mm)	c (mm)	Ød1 (mm)	Ød2 (mm)	e (mm)
SPVD 001	15	40	24	15	7	11	7
SPVD 002	50	70	50	15	9	15	9
SPVD 003	80	90	70	15	9	15	9



## SPFI

**STQ.70040**


ORDER	Ø <sub>d<sub>max</sub></sub>	a (mm)	a1 (mm)	b (mm)	b1 (mm)	c (mm)	Ød1 (mm)	Ød2 (mm)	e (mm)
SPFI 010	15	50	25	32	8	12	7	11	7
SPFI 011	20	55	30	40	14	12	7	11	7
SPFI 012	25	70	35	48	14	15	9	15	9
SPFI 013	36	75	50	56	30	15	9	15	9
SPFI 014	50	85	60	66	40	15	9	15	9
SPFI 015	65	100	80	72	56	20	11	18	11
SPFI 016	95	110	100	85	75	20	11	18	11
SPFI 017	95	130	110	100	80	20	11	18	11



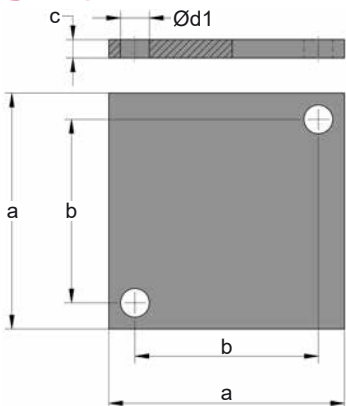


# STRIKER PLATES

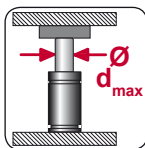
Accessories

## SPRE

EM24.54.700



ORDER	Ø <sub>d<sub>max</sub></sub>	a (mm)	b (mm)	c (mm)	Ød1 (mm)
SPRE 010	45	70	50	3	11
SPRE 011	60	90	70	3	11

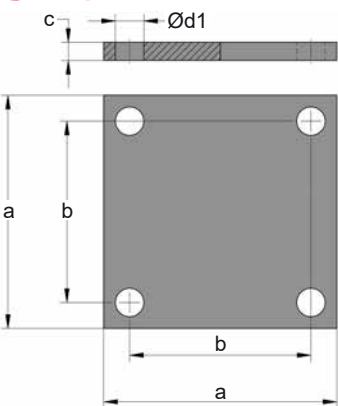


	ENG ORDER	
	DEU BESTELL	
	FRA COMMANDE	
	ITA ORDINE	
	ESP PEDIDO	
POR PEDIDO		

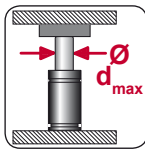
**SPRE 010**

## SPRE

EM24.54.700



ORDER	Ø <sub>d<sub>max</sub></sub>	a (mm)	b (mm)	c (mm)	Ød1 (mm)
SPRE 001	80	105	85	3	11
SPRE 002	95	125	105	3	11
SPRE 003	100	150	125	3	13
SPRE 004	130	190	165	3	13

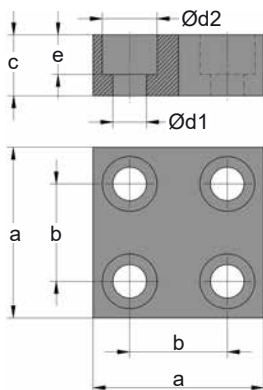


	ENG ORDER	
	DEU BESTELL	
	FRA COMMANDE	
	ITA ORDINE	
	ESP PEDIDO	
POR PEDIDO		

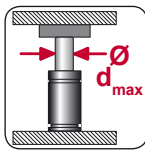
**SPRE 001**

## SPPS

E24.54.815



ORDER	Ø <sub>d<sub>max</sub></sub>	a (mm)	b (mm)	c (mm)	Ød1 (mm)	Ød2 (mm)	e (mm)
SPPS 001	15	40	21	15	9	15	10
SPPS 002	25	56	32	20	11	18	13
SPPS 003	65	90	67	20	11	18	13
SPPS 004	95	140	110	20	11	18	13
SPPS 005	130	155	125	20	11	18	13



	ENG ORDER	
	DEU BESTELL	
	FRA COMMANDE	
	ITA ORDINE	
	ESP PEDIDO	
POR PEDIDO		

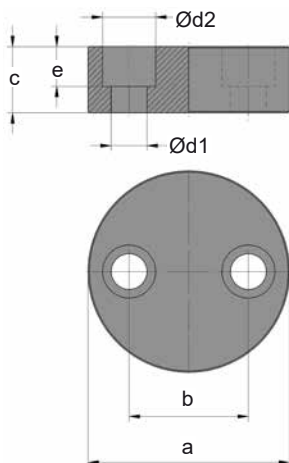
**SPPS 001**

# STRIKER PLATES

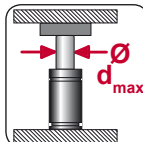
Accessories

**AZOL**  
**GAS**

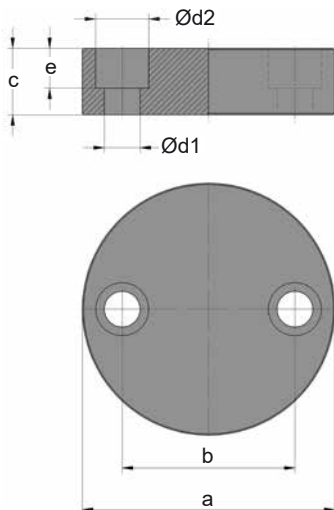
## SPFO

**WDX35-80-3576**


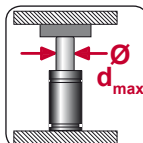
ORDER	Ø d <sub>max</sub>	a (mm)	b (mm)	c (mm)	Ød1 (mm)	Ød2 (mm)	e (mm)
SPFO 001	25	76	45	25	13.5	20	15
SPFO 002	25	76	45	28	13.5	20	18
SPFO 003	25	76	45	31	13.5	20	21
SPFO 004	25	76	45	34	13.5	20	24
SPFO 005	25	76	45	37	13.5	20	27
SPFO 006	25	76	45	40	13.5	20	30



## SPFO

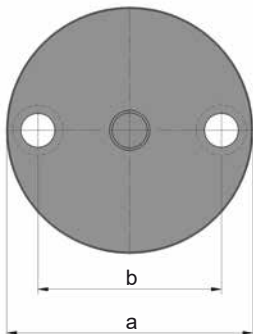
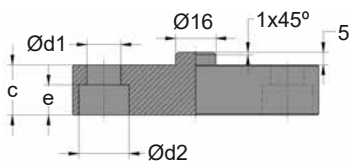
**WDX35-80-3595**


ORDER	Ø d <sub>max</sub>	a (mm)	b (mm)	c (mm)	Ød1 (mm)	Ød2 (mm)	e (mm)
SPFO 010	45	95	65	25	13.5	20	15
SPFO 011	45	95	65	28	13.5	20	18
SPFO 012	45	95	65	31	13.5	20	21
SPFO 013	45	95	65	34	13.5	20	24
SPFO 014	45	95	65	37	13.5	20	27
SPFO 015	45	95	65	40	13.5	20	30

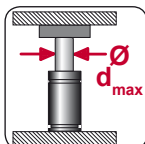


## SPVW

39D 847



ORDER	Ø d <sub>max</sub>	a (mm)	b (mm)	c (mm)	Ød1 (mm)	Ød2 (mm)	e (mm)
<b>SPVW 001</b>	<b>50</b>	98	73	20	13.5	20	12
<b>SPVW 002</b>	<b>65</b>	113	88	20	13.5	20	12
<b>SPVW 003</b>	<b>80</b>	128	103	20	13.5	20	12
<b>SPVW 004</b>	<b>95</b>	143	118	20	13.5	20	12

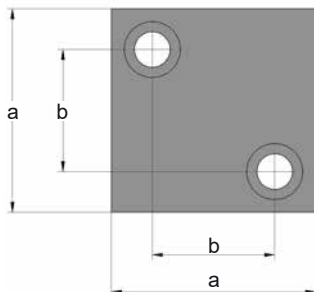
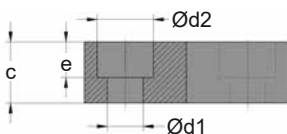


	ENG ORDER	
	DEU BESTELL	
	FRA COMMANDE	
	ITA ORDINE	
	ESP PEDIDO	
	POR PEDIDO	

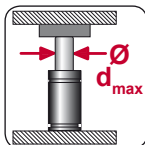
**SPVW 001**

## SPVW

39D 847



ORDER	Ø d <sub>max</sub>	a (mm)	b (mm)	c (mm)	Ød1 (mm)	Ød2 (mm)	e (mm)
<b>SPVW 010</b>	<b>20</b>	40	24	12	7	11	7
<b>SPVW 011</b>	<b>36</b>	60	40	15	9	15	9
<b>SPVW 013</b>	<b>80</b>	100	74	20	11	18	11



	ENG ORDER	
	DEU BESTELL	
	FRA COMMANDE	
	ITA ORDINE	
	ESP PEDIDO	
	POR PEDIDO	

**SPVW 010**

# FP (FLEX PLATE)

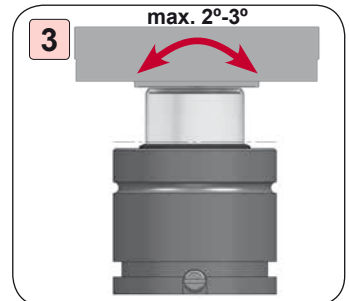
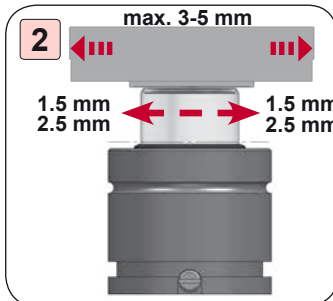
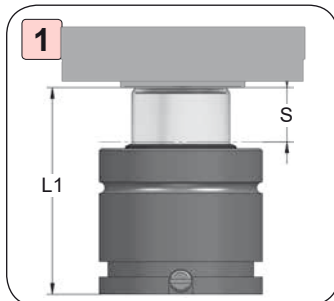
Accessories

**AZOL**  
**GAS**

## TECHNICAL DATA

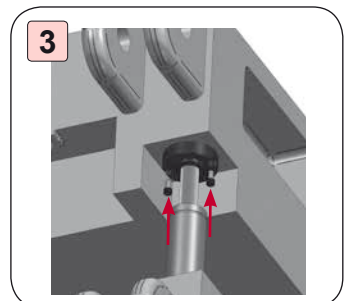
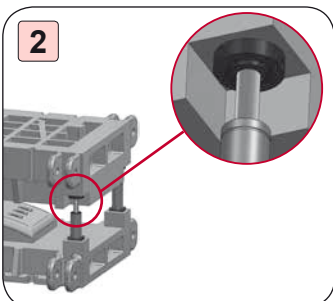
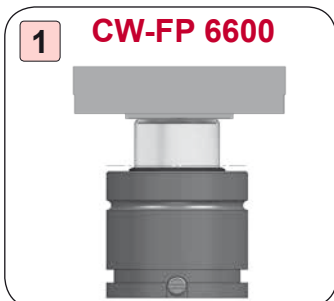
- Range forces 1500 - 20000 daN.
- Fix with screws.
- Compact plate.
- Flexible support.

## FLEX PLATE (SLIDING & SWINGING)



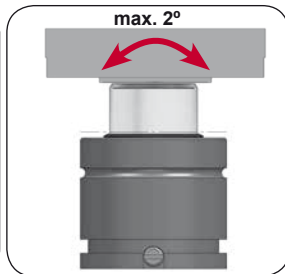
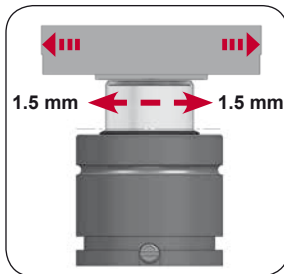
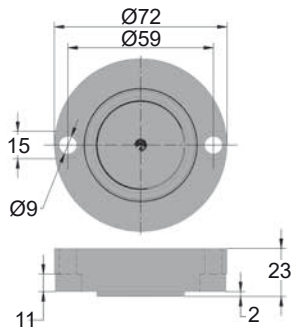
1. The use of FP system does not involve a variation of the dimensions of the gas spring, the location of the plate is inserted in the die itself.
2. Allows sideloads up to 3-5 mm.
3. Allows deviations from perpendicularity up to 2°-3°.

## HOW TO ASSEMBLE

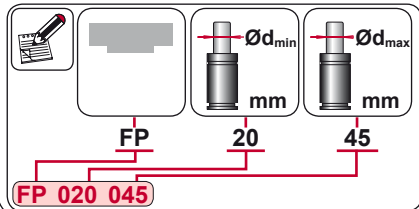


1. Check the gas spring model is suitable for use with the FP plate.
2. Verify that there is space enough to fit the FP plate into the tool.
3. Fix the FP plate to the die with screws.

**FP 020 045**



**HOW TO ORDER**



**MODELS**

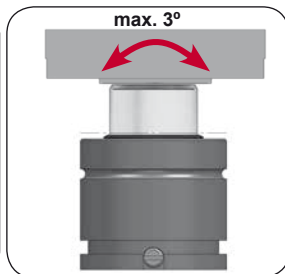
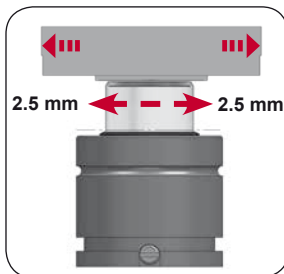
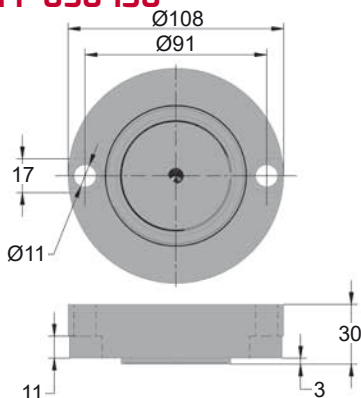
MODEL
AG 500
CD 500 V1
FD 500
KZ 500
CW 500 V1
CM 500 V1
CT 550 V1
CK 570 V1
CM 600 V1
CD 700

MODEL
AG 750
GN 750
FD 750 V1
CK 750 V1
CW 750 V1
CT 750
CD 1000 V1
CM 1000 V1
CT 1000

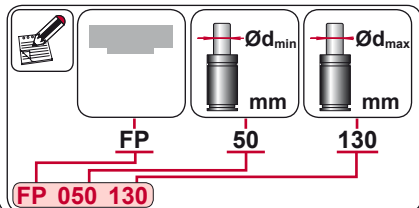
MODEL
KZ 1000 V1
CW 1000 V2
CK 1000 V1
AG 1500
CD 1500 V2
CM 1500 V1
GN 1500
FD 1500 V2
CK 1500 V2
CT 1500

MODEL
KZ 1500
CW 1500
CD 2400
KZ 2400
CW 2400 V1
CM 2500 V1
CK 2500 V1

**FP 050 130**



**HOW TO ORDER**



**MODELS**

MODEL
CT 2500
AG 3000
GN 3000
FD 3000
CT 3000
CM 4000 V1
CK 4000 V1
CD 4200
KZ 4200
CW 4200 V1

MODEL
AG 5000
GN 5000
FD 5000 V1
CT 5000
CM 6500 V1
CD 6600
KZ 6600
CW 6600
AG 7500
GN 7500

MODEL
CD 9600
CW 9500
CM 10000
AG 10000
CW 11800
CD 18500
CW 20000

# SERVICE EQUIPMENT

Accessories

**MR**



- |           |                                     |           |                             |
|-----------|-------------------------------------|-----------|-----------------------------|
| <b>1</b>  | <b>DALL 3</b> (Tool Allen 3)        | <b>14</b> | <b>PU 16</b> (Tool Ø 12-16) |
| <b>2</b>  | <b>DALL 5</b> (Tool Allen 5)        | <b>15</b> | <b>PU 22</b> (Tool Ø 20-22) |
| <b>3</b>  | <b>DMNL</b> (Tool)                  | <b>16</b> | <b>PU 25</b> (Tool Ø 25)    |
| <b>4</b>  | <b>ABXP</b> (Adapter DIN 7757)      | <b>17</b> | <b>PU 28</b> (Tool Ø 28)    |
| <b>5</b>  | <b>XTCP</b> (Adapter XTC M6)        | <b>18</b> | <b>PU 36</b> (Tool Ø 36)    |
| <b>6</b>  | <b>A 550 1/8-M6</b> (Draining Tool) | <b>19</b> | <b>PU 45</b> (Tool Ø 45)    |
| <b>7</b>  | <b>LM 3</b> (Tool M3)               | <b>20</b> | <b>PU 50</b> (Tool Ø 50)    |
| <b>8</b>  | <b>LM 6</b> (Tool M6)               | <b>21</b> | <b>PU 60</b> (Tool Ø 60)    |
| <b>9</b>  | <b>LM 8</b> (Tool M8)               |           |                             |
| <b>10</b> | <b>LM 16</b> (Tool M16)             |           |                             |
| <b>11</b> | <b>A 800</b> (Tool)                 |           |                             |
| <b>12</b> | <b>LRP 1</b> (Tool)                 |           |                             |
| <b>13</b> | <b>LRP 2</b> (Tool)                 |           |                             |



# SERVICE EQUIPMENT

**AZOL  
GAS** 

Accessories

**PU 16****Ø 12-16**

GAS SPRING SERIES	
ASP 250	CM 350 V1
ASP 300	FD 300
AST 250	KZ 350
AST 300 V1	CW 350 V1
AG 150	
AG 250	
CD 300 V1	
CM 300	

**PU 22****Ø 20-22**

GAS SPRING SERIES	
AS 500 V1	CK 570 V1
AS 600 V1	CT 550 V1
ASP 500 V1	KZ 500
AG 500	CW 500 V1
CD 500 V1	
CM 500 V1	
CM 600 V1	
FD 500	

**PU 25****Ø 25**

GAS SPRING SERIES	
AS 700 V1	CWC 750 V2
AG 750	
CD 700	
GN 750	
FD 750 V1	
CK 750 V1	
KZ 750 V1	
CW 750 V1	

**PU 28****Ø 28**

GAS SPRING SERIES	
AS 1000	CTN 1000
AST 1000	KZ 1000 V1
CD 1000 V1	CW 1000 V2
CM 1000 V1	CWC 1000 V2
CK 1000 V1	
CT 750	
CT 1000	
CTN 750	

**PU 36****Ø 36**

GAS SPRING SERIES	
AG 1500	KZ 1500
CD 1500 V2	CW 1500
CM 1500 V1	CWC 1500
GN 1500	
FD 1500 V2	
CK 1500 V2	
CT 1500	
CTN 1500	

**PU 45****Ø 45**

GAS SPRING SERIES	
CD 2400	
CM 2500 V1	
CK 2500 V1	
KZ 2400	
CW 2400 V1	
CWC 2400 V2	

**PU 50****Ø 50**

GAS SPRING SERIES	
AG 3000	
GN 3000	
FD 3000	
CT 2500	
CT 3000	
CTN 2500	
CTN 3000	

**PU 60****Ø 60**

GAS SPRING SERIES	
CD 4200	
CM 4000 V1	
CK 4000 V1	
KZ 4200	
CW 4200 V1	

**PU 75****Ø 65-75**

GAS SPRING SERIES	
AG 5000	CW 6600
CD 6600	
CM 6500 V1	
GN 5000	
FD 5000 V1	
CT 5000	
CTN 5000	
CTN 6600	

**PU 95****Ø 80-95**

GAS SPRING SERIES	
AG 7500	
AG 10000	
CD 9600	
CM 10000	
GN 7500	
CW 9500	



**NCTU.00.106**  
**PU 16**  
**F<sub>0</sub> 150-300 daN**  
**Ø 12-16**  
www.azolgas.com

**PART NUMBER**

**INITIAL FORCE (F<sub>0</sub>)**

**ROD DIAMETER**

**F<sub>0</sub>**  
**daN**

**Ød**  
**mm**

Example of how are marked the tools PU

- Part number
- Initial Force
- Piston rod diameter

**ROD DIAMETER**

**Ød**  
**mm**

**INITIAL FORCE (F<sub>0</sub>)**

**F<sub>0</sub>**  
**daN**

NC.060.10.00750.050  
AG 750 050  
215025247  
KIT-05 JC000-□□□  
97/23CE art. 3.3  
Made in Spain (EU)  
P/MAx 150 bar/2175 psi N2 at 20°C  
TS 0 / 80°C PS 0 / 229 bar  
www.azolgas.com

Make the right choice of the PU tool for each gas spring series, according to:

- Piston rod diameter
- Initial Force

**1**

**! (Warning symbol)**

Before disassembly, make sure that the gas spring is fully drained, with the piston rod totally inserted.

**2**

Set the corresponding PU tool on the top cartridge carefully to avoid any damage on the wiper.

**3**

Push down the PU tool till the cartridge is down enough to let remove the locking ring.

# SERVICE EQUIPMENT



Accessories

**LM 3**



**LM 6**



**LM 8**



**LM 16**



## DALL 3



## DPA 5



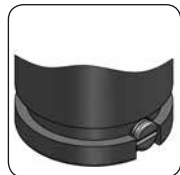
## DALL 5



## T 1/8



## T M6



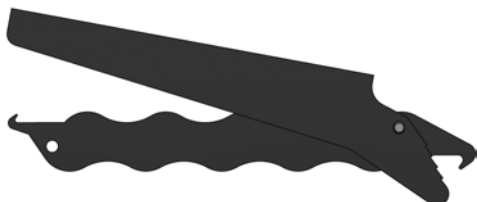
## TR M6



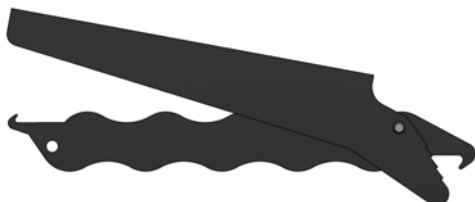
## A 550 1/8-M6



## LRP 1



## LRP 2

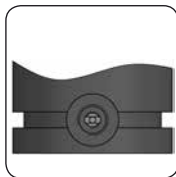


# SERVICE EQUIPMENT

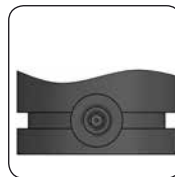
**AZOL  
GAS**

*Accessories*

## DIN 7757



## XTC-M6



## A 800



The tool A 800 is only intended to be used to remove the filling valve DIN 7757.

## ALXTC



WARNING: ALXTC is only intended to be used to remove the valve XTC-M6 when it is damaged and it cannot be removed with the tool DMNL (XTCP).

## DMNL


**ABXP**

**XTCP**


## DDNM


**ABXP**

**XTCP**

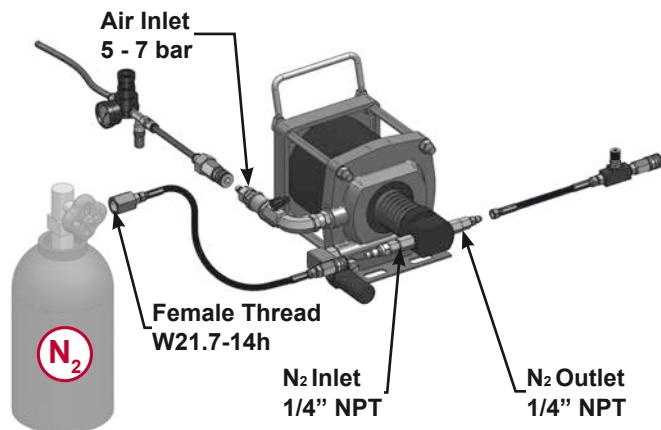



# SERVICE EQUIPMENT

**AZOL  
GAS**

*Accessories*

## DBNA

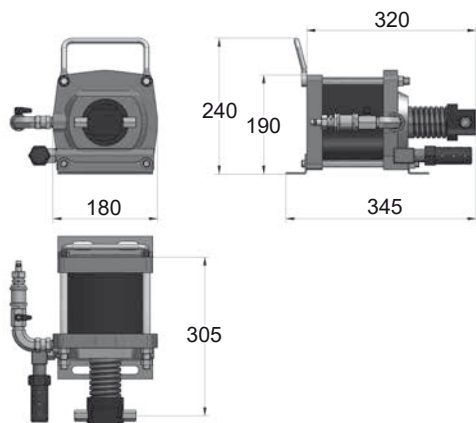


## OPTIONS

### 1 - Hosed System



### 2 - Self-contained



## ADVANTAGES



- Maximum safety.



- Easy boosting.



- Save costs.



- Increases productivity.

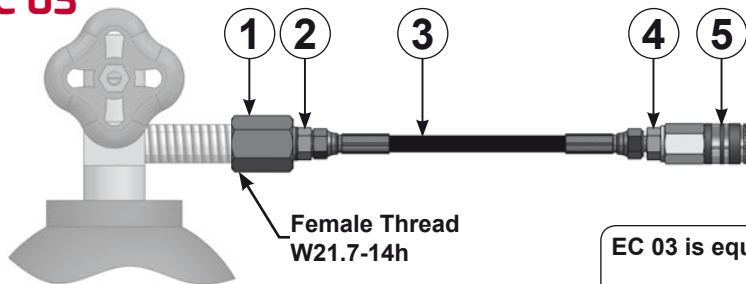
## BOOSTER UNIT

DBNA gas booster enables to charge gas springs and manifold systems from your supply tank. The booster is a solution to low pressure supply tank to a minimum of 20 bar (when the tank pressure is lower than the gas springs filling pressure).

## TECHNICAL DATA

Max. Outlet Pressure (N2)	200 bar
Pneumatic pressure (Air)	5 - 7 bar
Pump ratio (N2/Air)	30:1
Flow	2.8 l/min
Weight	12 Kg

**EC 03**



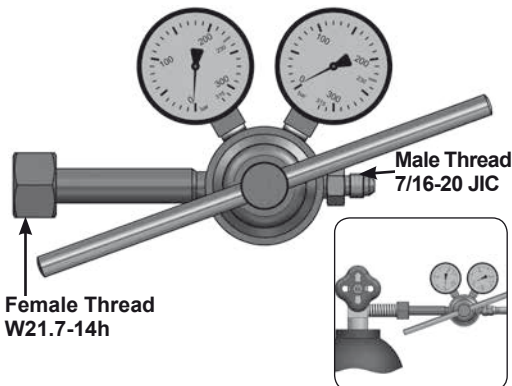
Only to be used with a gauge



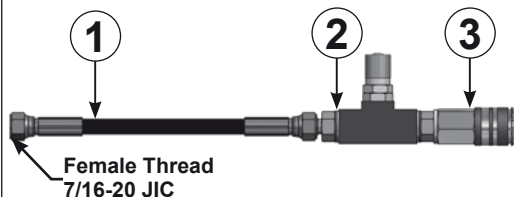
EC 03 is equipped with:

- 1-Adapter **AC 500**
- 2-Adapter **7RM2**
- 3-Hose **TFRR 3000**
- 4-Adapter **7RM4**
- 5-Female Quick Coupling **QCF 1/4**

**LTH 600**



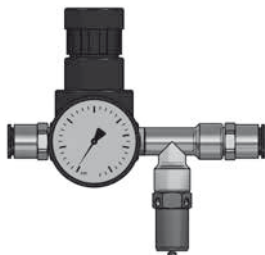
**EC 38**



EC 38 is equipped with:

- 1-Hose **TFRR 3000**
- 2-Shut off valve **EC VP**
- 3-Female Quick Coupling **QCF 1/4**

**DBN-VS**



Safety device to prevent over-pressure.

DBN VS limits Air Inlet flow at a maximum of 6 bar.

**A 400 C**

TECHNICAL DATA	
Fluid	N <sub>2</sub>
Max pressure	210 bar
Gauge	0 - 400 bar
Working temperature	0° - 100°C



A 400 C Filling & Control Unit is used to:

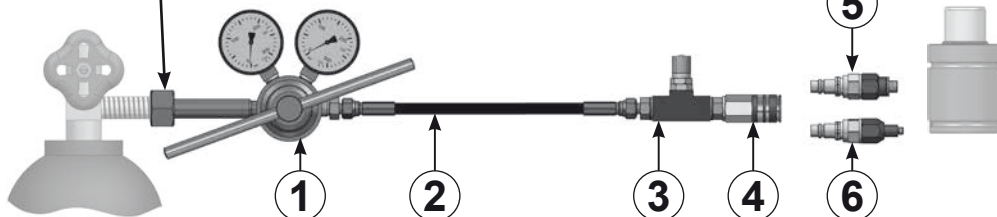
- Verify the pressure
  - Fill and drain the pressure
  - Vary (up / down) the pressure
- Self-contained gas springs

# SERVICE EQUIPMENT

**AZOL  
GAS**


Accessories

## EC 37

 Female Thread  
W21.7-14h


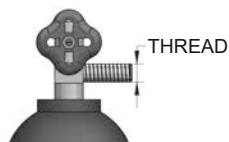
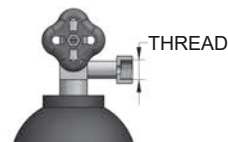
### CHARGING UNIT

The Charging Unit EC 37 let you:

- Check the pressure from the nitrogen tank.
- Charging pressure to self-contained gas springs.
- Charging pressure to hoses systems.

EC 37 is equipped with:

- 1-Pressure regulator **LTH 600**
- 2-Hose **TFRR 3000**
- 3-Shut off valve **EC VP**
- 4-Female Quick Coupling **QCF 1/4**
- 5-Charging adapter **18 CG 1-Q (G1/8")**
- 6-Charging adapter **06 CG 2-Q (M6)**

**NITROGEN  
TANK**
**MALE THREAD**

**NITROGEN  
TANK**
**FEMALE THREAD**

**THREAD**
**TANK  
ADAPTER**

W24,32x1/14"

**AC 210**

**THREAD**
**TANK  
ADAPTER**

W22x1/14"

**AC 220**


G3/4"

**AC 340**


W24,32x1/14"

**AC 230**


G5/8"

**AC 585**


W21,7x1/14"

**AC 270**


G3/8"

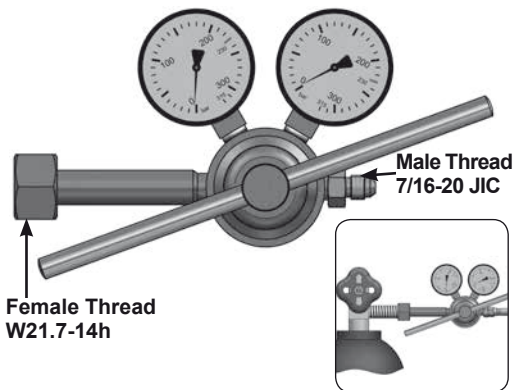
**AC 380**


G5/8"

**AC 580**




## LTH 600

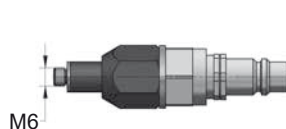


## 18 CG 1-Q



G1/8"

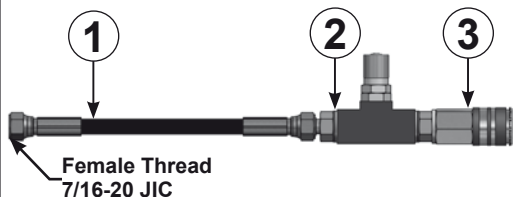
## 06 CG 2-Q



M6



## EC 38

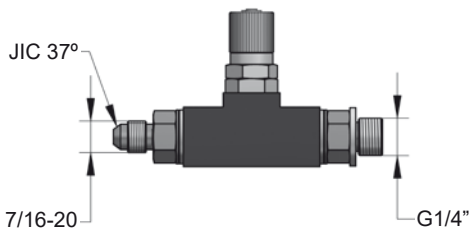


Female Thread  
7/16-20 JIC

EC 38 is equipped with:

- 1-Hose **TFRR 3000**
- 2-Shut off valve **EC VP**
- 3-Female Quick Coupling **QCF 1/4**

## EC VP

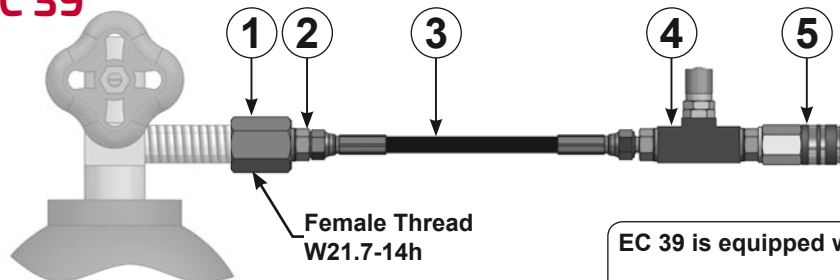


JIC 37°

7/16-20

G1/4"

## EC 39



Female Thread  
W21.7-14h

EC 39 is equipped with:

- 1-Adapter **AC 500**
- 2-Adapter **7RM2**
- 3-Hose **TFRR 3000**
- 4-Shut off valve **EC VP**
- 5-Female Quick Coupling **QCF 1/4**



Only to be used  
with a gauge



# NOTES





# NOTES

**INDEX**

CODE	Page	CODE	Page	CODE	Page	CODE	Page
<b>0-9</b>		A14-019	7	A69-045	199	AX9-095	298
06 CG 2-Q	619	A14-020	9	A69-063	86	AY4-050	282
06 GA 9	574	A14-025	11	A74-045	199	AY4-063	288
06 MS 3	575	A14-032	19	ABXP	614	AY4-075	292
18 CG 1 Q	619	A14-038	37	AC 210	618	AY4-095	298
18 MS 1	575	A14-045	41	AC 220	618	AY4-120	304
400-CPFG	563	A14-050	45	AC 230	618	AY4-150	310
600-CPFI	561	A14-063	85	AC 270	618	<b>B</b>	
600-CPFO V1	561	A14-075	49	AC 340	618	B13-050	252
600-CPGM V1	562	A14-095	53	AC 380	618	B13-075	262
600-CPLC V1	560	A14-105	239	AC 580	618	B13-095	268
600-CPM6	562	A14-120	57	AC 585	618	B13-120	274
600-CPTO V1	560	A14-150	61	ADCB	597	B16-095	69
7CF7	589	A14-195	65	AF V1	16	B16-120	69
7CM8	588	A19-019	7	AFB V2	2	B16-150	69
7EM8	588	A19-025	11	AFC	12	B18-050	252
7IM7	589	A19-038	405	AFD V1	10	B18-075	262
7LM8	588	A19-120	425	AFH V1	4	B18-095	268
7NM7	589	A19-150	429	AFJ V1	6	B18-120	274
7RM8	588	A34-032	19	AFK V1	8	B21-045	42
7TF7	589	A34-038	37	AFNA	14	B21-050	46
7TL8	588	A34-045	41	AFT V1	18	B21-063	86
7TM7	588	A34-050	45	AG 150	34	B21-075	50
7WF7	589	A34-075	49	AG 250	36	B21-095	54
7XM7	589	A34-095	53	AG 500	40	B21-120	58
90 BK1	575	A34-120	57	AG 750	44	B21-150	62
90 R BK1	574	A34-150	61	AG 1500	48	B21-195	66
9CF9	595	A34-195	65	AG 3000	52	B23-075	262
9CM8	594	A39-063	85	AG 5000	56	B23-095	268
9EM8	594	A44-019	7	AG 7500	60	B23-120	274
9IM9	595	A44-025	11	AG 10000	64	B28-050	252
9LM8	594	A44-032	19	ALXTC	614	B28-075	263
9RM8	594	A49-015	5	ART 180	448	B28-095	269
9SR9	595	A49-025	11	ART 300	449	B28-120	275
9TF9	595	A49-050	409	ART 500	450	B31-050	446
9TL8	594	A49-075	417	ART 750	451	B31-075	445
9TM9	594	A49-095	421	ART 1200	452	B31-095	497
9WF9	595	A54-050	409	ART 1500	453	B33-050	283
9XM9	595	A54-075	417	AS 200	22	B33-075	292
<b>A</b>		A54-095	421	AS 300	24	B33-095	298
A 400 C	617	A59-012	3	ASP 250	26	B33-120	304
A 550 1/8-M6	613	A59-019	7	ASP 300	28	B36-045	328
A 800	614	A59-050	409	ASP 500 V1	30	B36-050	228
A14-012	3	A59-075	417	AX9-050	282	B36-063	232
A14-015	5	A59-095	421	AX9-075	292	B36-075	236

CODE	Page	CODE	Page	CODE	Page	CODE	Page
B36-095	350	B76-095	54	CD 300 V1	72	CS 770 V2	402
B36-105	239	B76-120	58	CD 500 V1	74	CS 1000 V1	404
B36-120	354	B76-150	62	CD 700	76	CS 1800 V1	408
B36-150	310	B76-195	66	CD 1000 V1	80	CS 3000 V2	412
B36-195	366	B88-075	294	CD 1500 V2	84	CS 4700 V1	416
B41-045	328	B88-095	300	CD 2400	88	CS 7500 V1	420
B41-050	228	B88-120	306	CD 4200	92	CS 11800 V1	424
B41-063	232	B88-150	312	CD 6600	96	CS 18300 V1	428
B41-075	236	B91-050	284	CD 9600	100	CS-KC 1000 V1	406
B41-095	350	B91-075	294	CD 18500	104	CS-KC 1800 V1	410
B41-105	239	B91-095	300	CF	572	CS-KC 3000 V2	414
B41-120	354	B93-075	294	CK 200 V1	192	CS-KV 4700 V1	418
B41-150	310	B93-095	300	CK 300 V1	194	CS-KV 7500 V1	422
B41-195	366	B93-120	306	CK 570 V1	196	CS-KV 11800 V1	426
B43-045	248	B93-150	312	CK 750 V1	198	CS-KV 18300 V1	430
B43-050	253	B98-050	253	CK 1000 V1	202	CT-200 V1	220
B43-075	263	B98-075	263	CK 1500 V2	206	CT 300 V1	222
B43-095	269	B98-095	269	CK 2500 V1	210	CT 550 V1	224
B43-120	275	BK	574	CK 4000 V1	214	CT 1000	226
B51-045	68	BKRT	574	CM 1/8	571	CT 1500	230
B51-050	68	<b>C</b>		CM 200	110	CT 3000	234
B56-050	283	C05-032	243	CM 300	112	CT 5000	238
B56-075	293	C05-038	38	CM 350 V1	114	CW 170 V1	316
B56-095	299	C05-045	42	CM 500 V1	116	CW 320 V1	318
B56-120	305	C05-050	46	CM 600 V1	118	CW 350 V1	320
B56-150	311	C05-063	86	CM 1000 V1	120	CW 500 V1	322
B61-050	283	C05-075	50	CM 1500 V1	124	CW 750 V1	324
B61-075	293	C05-095	54	CM 2500 V1	128	CW 1000 V2	330
B61-095	299	C05-120	58	CM 4000 V1	132	CW 1500	336
B61-120	305	C05-150	62	CM 6500 V1	136	CW 2400 V1	342
B61-150	311	C05-195	66	CM 10000	140	CW 4200 V1	348
B66-075	293	C15-020	9	CP 150 V1	370	CW 6600	352
B66-095	299	C20-032	35	CP 300 V1	372	CW 9500	360
B66-120	305	C20-038	38	CP 500 V1	374	CW 11800	356
B66-150	311	C20-045	42	CP 1000 V1	376	CW 20000	364
B71-050	283	C20-050	46	CP 2000 V1	378	CY0-050	254
B71-075	293	C20-075	50	CP 3000 V1	380	CY0-075	264
B71-095	299	C20-095	54	CP 5000 V1	382	CY0-095	270
B71-120	305	C20-120	58	CP 8000 V1	384	CY0-120	276
B71-150	311	C20-150	62	CPH 850 V1	388	<b>D</b>	
B76-038	38	C20-195	66	CPH 1250 V1	390	D02-025	13
B76-045	42	C30-063	127	CPH 1700 V1	392	D02-032	35
B76-050	46	C35-050	204	CPH 2800 V1	394	D02-038	39
B76-063	86	C35-063	87	CPH 4300 V1	396	D02-045	43
B76-075	50	C50-050	204	CS 420 V1	400	D02-050	47

**INDEX**

CODE	Page	CODE	Page	CODE	Page	CODE	Page
D02-063	127	DRM4	580	<b>G</b>		KZ 1000 V1	250
D02-075	51	DRM8	580	GF 02	572	KZ 1500	256
D02-095	55	DTFD	580	GF 05	577	KZ 2400	260
D02-120	59	DTMD	581	GN 750	146	KZ 4200	266
D02-150	63	DWFD	580	GN 1500	150	KZ 6600	272
D02-195	67	DXMD	581	GN 3000	154	<b>L</b>	
D47-050	285	<b>E</b>		GN 5000	158	LM	612
D47-075	295	E03-036	27	GN 7500	162	LP	508
D67-032	113	E03-045	31	GPT	571	LPD	511
D67-038	39	E08-038	29	GRT	571	LPJ	516
D67-045	43	E23-016	485	GST	571	LPS	509
D67-050	47	E23-024	499	GTLL	592	LPT 10	485
D67-063	87	E23-038	25	GTLT	593	LPT 17	499
D67-075	51	E33-050	443	GTRL	592	LPV	513
D67-095	55	E33-075	445	GTRR	592	LPV 16-17	497
D67-120	59	E33-095	447	GTRT	593	LPV 25-28	505
D67-150	63	E58-028	23	<b>H</b>		LRP	613
D82-050	255	E58-038	25	HJLL	578	LTH 600	617
D82-075	265	E63-016	489	HJLT	579	<b>M</b>	
DALL	613	E68-038	25	HJRL	578	MCLL	590
DBNA	616	EC 03	617	HJRR	578	MCLT	591
DBN-VS	617	EC 37	618	HJRT	579	MCRL	590
DCFD	580	EC 38	619	<b>K</b>		MCRR	590
DCMD	581	EC 39	619	KC 1000	407	MCRT	591
DDNM	614	EC VP	619	KC 1800	411	MN-14-600-40	565
DFC 75	596	EDS 400 1/4	567	KC 3000	415	MN-14-600-62	565
DFC 95	596	EDS 400 1/8	567	KCMK1	575	MR	608
DFC 120	597	EDS GM	566	KRM6	575	<b>P</b>	
DIMD	581	EEX	527	KRM8	575	PGE	534
DIN 7757	614	EXDB 90 V1	530	KRMK1	575	PGH	535
DLFD	580	EXDE 170 V1	533	KT 1000	280	PGN	535
DM 01 17	582	EXDN 90 V1	531	KT 1500	286	PGP	571
DM 01 31	582	EXDT 170 V1	532	KT 2400	290	PGS	570
DM 01 38	582	EXU	526	KT 4200	296	PI	598
DM 02 43	582	EXY	528	KT 6600	302	PL EDS	566
DM 02 57	582	<b>F</b>		KT 9500	308	PLC M6	568
DM 02 64	582	FD 300	168	KTMK1	575	PLD 2	568
DM 03 17	582	FD 500	170	KV 4700	419	PLD 4	568
DM 03 31	582	FD 750 V1	174	KV 7500	423	PLD 6	569
DM 03 38	582	FD 1500 V2	178	KV 11800	427	PLD 7	569
DM 04 43	583	FD 3000	182	KV 18300	431	PLD 8	569
DM 04 57	583	FD 5000 V1	186	KXXMK	575	PLD 10	569
DM 04 64	583	FP 020 045	607	KZ 350	242	PLF 2	568
DMNL	614	FP 050 130	607	KZ 500	244	PLF 4	568
DPA 5	613			KZ 750 V1	246	PLF 8	569

CODE	Page	CODE	Page	CODE	Page	CODE	Page
PLH 1/8	568	<b>T</b>					
PLH M6	568	T M6	613				
PLK 8	569	T1/8	613				
PLR M6	568	TE BK1	575				
PME	534	TE R BK1	574				
PU	610	TFLL	584				
<b>Q</b>		TFLT	585				
QCF 1/4	564	TFRL	584				
QCM 1/4	564	TFRR	584				
QDF 1/8	564	TFRT	585				
QDF 1/8-Q	564	TNCT	577				
QDM 1/8	564	TNLC	577				
<b>R</b>		TNLL	576				
RBP 10	576	TNLT	577				
RBP 5	571	TNRC	577				
RGR	571	TNRL	576				
RGS	570	TNRR	576				
ROB 750	434	TNRT	577				
ROB 1500	436	TR M6	613				
ROB 3000	438	<b>U</b>					
ROB 5000	440	UEX	527				
ROT 750	435	<b>V</b>					
ROT 1500	437	VAM 300 V1	458				
ROT 3000	439	VAM 750	462				
ROT 5000	441	VAM 1500	466				
<b>S</b>		VAM 3000	470				
SGS	570	VAM 5000	474				
SKK 12R 1/4	572	VAM 7500	478				
SKK 12R 1/8	572	VD 14	564				
SKK L	572	VH 500	442				
SMRR	586	VH 1200	444				
SMRT	587	VH 2200	446				
SP-ER 3	538	<b>X</b>					
SP-ER 5	539	XTC-M6	614				
SP-ER 7	540	XTCP	614				
SP-ER 9	541	<b>Z</b>					
SPFI	602	ZBE 90	566				
SPFO	604	ZBE R	566				
SPPS	603						
SPRE	603						
SPS 1/4	565						
SPS 1/8	565						
SPVD	602						
SPVW	605						

## DIAMETER INDEX

Ø	MODEL	Page	Ø	MODEL	Page	Ø	MODEL	Page		
Ø12	AFB 13 V2	2	Ø32	AFT 160 V1	18	Ø50	CD 1000 V1	80		
	AFB 25 V2	2		AFT 240 V1	18		CK 1000 V1	202		
	AFB 38 V2	2		AFT 310 V1	18		CM 1000 V1	120		
	AFB 50 V2	2		AG 50	34		CP 2000 V1	378		
Ø15	AFH 18 V1	4		AG 100	34		CPH 1700 V1	392		
	AFH 35 V1	4		AG 150	34		CS 1800 V1	408		
	AFH 50 V1	4		AG 200	34		CS-KC 1800 V1	410		
	AFH 70 V1	4		ART 180	448		CT 1000	226		
Ø19	AFJ 30 V1	6		CD 300 V1	72		CW 1000 V2	330		
	AFJ 50 V1	6		CK 300 V1	194		FD 750 V1	174		
	AFJ 70 V1	6		CM 300	112		GN 750	146		
	AFJ 90 V1	6		CM 350 V1	114		KT 1000	280		
	CP 150 V1	370		CP 500 V1	374		KZ 1000 V1	250		
	CW 170 V1	316		CS 770 V2	402		ROB 750	434		
Ø20	AFK 25 V1	8		CT 300 V1	222		ROT 750	435		
	AFK 50 V1	8		CW 350 V1	320		VH 500	442		
	AFK 75 V1	8		KZ 350	242		Ø60	ART 750	451	
	AFK 100 V1	8		M36x1	ASP 250		26	Ø63	CD 1500 V2	84
Ø25	AF 50 V1	16		Ø38	AG 250		36		CK 1500 V2	206
	AF 100 V1	16			CD 500 V1		74		CM 1500 V1	124
	AF 150 V1	16	CK 570 V1		196	CP 3000 V1	380			
	AF 200 V1	16	CM 500 V1		116	CPH 2800 V1	394			
	AFC 50	12	CP 1000 V1		376	CS 3000 V2	412			
	AFC 100	12	CPH 850 V1		388	CS-KC 3000 V2	414			
	AFC 150	12	CS 1000 V1		404	CT 1500	230			
	AFC 200	12	CS-KC 1000 V1		406	CW 1500	336			
	AFD 50 V1	10	CT 550 V1		224	KT 1500	286			
	AFD 100 V1	10	CW 500 V1		322	KZ 1500	256			
	AFD 150 V1	10	FD 300	168	Ø75	AG 1500	48			
	AFD 200 V1	10	KZ 500	244		ART 1200	452			
	AFNA 50	14	M38x1.5	AS 300		24	CD 2400	88		
	AFNA 100	14	ASP 300	28		CK 2500 V1	210			
	AFNA 150	14	Ø40	ART 300		449	CM 2500 V1	128		
	AFNA 200	14	Ø45	AG 500		40	CP 5000 V1	382		
CK 200 V1	192	CD 700		76		CPH 4300 V1	396			
CM 200	110	CK 750 V1		198		CS 4700 V1	416			
CP 300 V1	372	CM 600 V1		118		CS-KV 4700 V1	418			
CS 420 V1	400	CPH 1250 V1		390		CT 3000	234			
CT 200 V1	220	CW 750 V1		324	CW 2400 V1	342				
CW 320 V1	318	FD 500		170	FD 1500 V2	178				
M28x1.5	AS 50	22		KZ 750 V1	246	GN 1500	150			
	AS 100	22		VAM 300 V1	458	KT 2400	290			
	AS 150	22		M45x1	ASP 500 V1	30	KZ 2400	260		
	AS 200	22	Ø50	AG 750	44	ROB 1500	436			
	Ø32	AFT 80 V1	18	ART 500	450	ROT 1500	437			



# DIAMETER INDEX

Ø	MODEL	Page	Ø	MODEL	Page	Ø	MODEL	Page
Ø75	VAM 750	462	Ø195	CW 20000	364			
	VH 1200	444		VAM 7500	478			
Ø90	ART 1500	453						
Ø95	AG 3000	52						
	CD 4200	92						
	CK 4000 V1	214						
	CM 4000 V1	132						
	CP 8000 V1	384						
	CS 7500 V1	420						
	CS-KV 7500 V1	422						
	CW 4200 V1	348						
	FD 3000	182						
	GN 3000	154						
	KT 4200	296						
	KZ 4200	266						
	ROB 3000	438						
	ROT 3000	439						
	VAM 1500	466						
VH 2200	446							
Ø105	CT 5000	238						
Ø120	AG 5000	56						
	CD 6600	96						
	CM 6500 V1	136						
	CS 11800 V1	424						
	CS-KV 11800 V1	426						
	CW 6600	352						
	FD 5000 V1	186						
	GN 5000	158						
	KT 6600	302						
	KZ 6600	272						
	ROB 5000	440						
	ROT 5000	441						
	VAM 3000	470						
Ø150	AG 7500	60						
	CD 9600	100						
	CM 10000	140						
	CS 18300 V1	428						
	CS-KV 18300 V1	430						
	CW 9500	356						
	CW 11800	360						
	GN 7500	162						
	KT 9500	308						
VAM 5000	474							
Ø195	AG 10000	64						
	CD 18500	104						

# FORCE INDEX

F <sub>0</sub> (daN)	MODEL	Page	F <sub>0</sub> (daN)	MODEL	Page	F <sub>0</sub> (daN)	MODEL	Page
13	AFB 13 V2	2	200	CK 200 V1	192	750	VAM 750	462
18	AFH 18 V1	4		CM 200	110	770	CS 770 V2	402
25	AFB 25 V2	2		CT 200 V1	220	850	CPH 850 V1	388
	AFK 25 V1	8	240	AFT 240 V1	18	1000	CD 1000 V1	80
30	AFJ 30 V1	6	250	AG 250	36		CK 1000 V1	202
35	AFH 35 V1	4		ASP 250	26		CM 1000 V1	120
38	AFB 38 V2	2	300	ART 300	449		CP 1000 V1	376
50	AF 50 V1	16		AS 300	24		CS 1000 V1	404
	AFB 50 V2	2		ASP 300	28		CS-KC 1000 V1	406
	AFC 50	12		CD 300 V1	72		CT 1000	226
	AFD 50 V1	10		CK 300 V1	194		CW 1000 V2	330
	AFH 50 V1	4		CM 300	112		KT 1000	280
	AFJ 50 V1	6		CP 300 V1	372		KZ 1000 V1	250
	AFK 50 V1	8		CT 300 V1	222	1200	ART 1200	452
	AFNA 50	14		FD 300	168		VH 1200	444
	AG 50	34		VAM 300 V1	458	1250	CPH 1250 V1	390
	AS 50	22	310	AFT 310 V1	18	1500	AG 1500	48
70	AFH 70 V1	4	320	CW 320 V1	318		ART 1500	453
	AFJ 70 V1	6	350	CM 350 V1	114		CD 1500 V2	84
75	AFK 75 V1	8		CW 350 V1	320		CK 1500 V2	206
80	AFT 80 V1	18		KZ 350	242		CM 1500 V1	124
90	AFJ 90 V1	6	420	CS 420 V1	400		CT 1500	230
100	AF 100 V1	16	500	AG 500	40		CW 1500	336
	AFC 100	12		ART 500	450		FD 1500 V2	178
	AFD 100 V1	10		ASP 500 V1	30		GN 1500	150
	AFK 100 V1	8		CD 500 V1	74		KT 1500	286
	AFNA 100	14		CM 500 V1	116	KZ 1500	256	
	AG 100	34		CP 500 V1	374	ROB 1500	436	
	AS 100	22		CW 500 V1	322	ROT 1500	437	
150	AF 150 V1	16		FD 500	170	VAM 1500	466	
	AFC 150	12		KZ 500	244	1700	CPH 1700 V1	392
	AFD 150 V1	10		VH 500	442	1800	CS 1800 V1	408
	AFNA 150	14	550	CT 550 V1	224		CS-KC 1800 V1	410
	AG 150	34	570	CK 570 V1	196	2000	CP 2000 V1	378
	AS 150	22	600	CM 600 V1	118	2200	VH 2200	446
	CP 150 V1	370	700	CD 700	76	2400	CD 2400	88
160	AFT 160 V1	18	750	AG 750	44		CW 2400 V1	342
170	CW 170 V1	316		ART 750	451		KT 2400	290
180	ART 180	448		CK 750 V1	198		KZ 2400	260
200	AF 200 V1	16		CW 750 V1	324	2500	CK 2500 V1	210
	AFC 200	12		FD 750 V1	174		CM 2500 V1	128
	AFD 200 V1	10		GN 750	146	2800	CPH 2800 V1	394
	AFNA 200	14		KZ 750 V1	246	3000	AG 3000	52
	AG 200	34		ROB 750	434		CP 3000 V1	380
	AS 200	22		ROT 750	435		CS 3000 V2	412

F <sub>0</sub> (daN)	MODEL	Page	F <sub>0</sub> (daN)	MODEL	Page	F <sub>0</sub> (daN)	MODEL	Page
3000	CS-KC 3000 V2	414	18500	CD 18500	104			
	CT 3000	234	20000	CW 20000	364			
	FD 3000	182						
	GN 3000	154						
	ROB 3000	438						
	ROT 3000	439						
	VAM 3000	470						
4000	CK 4000 V1	214						
	CM 4000 V1	132						
4200	CD 4200	92						
	CW 4200 V1	348						
	KT 4200	296						
	KZ 4200	266						
4300	CPH 4300 V1	396						
4700	CS 4700 V1	416						
	CS-KV 4700 V1	418						
5000	AG 5000	56						
	CP 5000 V1	382						
	CT 5000	238						
	FD 5000 V1	186						
	GN 5000	158						
	ROB 5000	440						
	ROT 5000	441						
	VAM 5000	474						
6500	CM 6500 V1	136						
6600	CD 6600	96						
	CW 6600	352						
	KT 6600	302						
	KZ 6600	272						
7500	AG 7500	60						
	CS 7500 V1	420						
	CS-KV 7500 V1	422						
	GN 7500	162						
	VAM 7500	478						
8000	CP 8000 V1	384						
9500	CW 9500	360						
	KT 9500	308						
9600	CD 9600	100						
10000	AG 10000	64						
	CM 10000	140						
11800	CS 11800 V1	424						
	CS-KV 11800 V1	426						
	CW 11800	356						
18300	CS 18300 V1	428						
	CS-KV 18300 V1	430						

# FLANGE INDEX

MODEL	FLANGE	Page	MODEL	FLANGE	Page	MODEL	FLANGE	Page	
<b>A14</b>	A14-012	3	<b>A59</b>	A59-075	417	<b>B33</b>	B33-095	298	
	A14-015	5		A59-095	421		B33-120	304	
	A14-019	7		<b>A69</b>	A69-045	199	<b>B36</b>	B36-045	328
	A14-020	9	A69-063		86	B36-050		228	
	A14-025	11	<b>A74</b>	A74-045	199	B36-063		232	
	A14-032	19		<b>AX9</b>	AX9-050	282		B36-075	236
	A14-038	37			AX9-075	292		B36-095	350
	A14-045	41	AX9-095		298	B36-105		239	
	A14-050	45	<b>AY4</b>	AY4-050	282	B36-120		354	
	A14-063	85		AY4-063	288	B36-150		310	
	A14-075	49		AY4-075	292	B36-195	366		
	A14-095	53		AY4-095	298	<b>B41</b>	B41-045	328	
	A14-105	239		AY4-120	304		B41-050	228	
	A14-120	57		AY4-150	310		B41-063	232	
A14-150	61	<b>B13</b>	B13-050	252	B41-075		236		
A14-195	65		B13-075	262	B41-095		350		
<b>A19</b>	A19-019		7	B13-095	268		B41-105	239	
	A19-025	11	B13-120	274	B41-120		354		
	A19-038	405	<b>B16</b>	B16-095	69		B41-150	310	
	A19-120	425		B16-120	69	B41-195	366		
	A19-150	429		B16-150	69	<b>B43</b>	B43-045	248	
<b>A34</b>	A34-032	19	<b>B18</b>	B18-050	252		B43-050	253	
	A34-038	37		B18-075	262		B43-075	263	
	A34-045	41		B18-095	268		B43-095	269	
	A34-050	45		B18-120	274		B43-120	275	
	A34-075	49	<b>B21</b>	B21-045	42	<b>B51</b>	B51-045	68	
	A34-095	53		B21-050	46		B51-050	68	
	A34-120	57		B21-063	86	<b>B56</b>	B56-050	283	
	A34-150	61		B21-075	50		B56-075	293	
A34-195	65	B21-095		54	B56-095		299		
<b>A39</b>	A39-063	85		B21-120	58		B56-120	305	
	<b>A44</b>	A44-019		7	B21-150	62	B56-150	311	
A44-025		11		B21-195	66	<b>B61</b>	B61-050	283	
A44-032		19	B23-075	262	B61-075		293		
<b>A49</b>	A49-015	5	B23-095	268	B61-095		299		
	A49-025	11	B23-120	274	B61-120		305		
	A49-050	409	<b>B28</b>	B28-050	252	B61-150	311		
	A49-075	417		B28-075	263	<b>B66</b>	B66-075	293	
A49-095	421	B28-095		269	B66-095		299		
<b>A54</b>	A54-050	409		B28-120	275		B66-120	305	
	A54-075	417	<b>B31</b>	B31-050	446		B66-150	311	
	A54-095	421		B31-075	445	<b>B71</b>	B71-050	283	
<b>A59</b>	A59-012	3		B31-095	497		B71-075	293	
	A59-019	7	<b>B33</b>	B33-050	283		B71-095	299	
	A59-050	409		B33-075	292		B71-120	305	

MODEL	FLANGE	Page	MODEL	FLANGE	Page	MODEL	FLANGE	Page	
B71	B71-150	311							
B76	B76-038	38	C35	C35-050	204				
	B76-045	42		C35-063	87				
	B76-050	46	C50	C50-050	204				
	B76-063	86		CY0-050	254				
	B76-075	50	CY0	CY0-075	264				
	B76-095	54		CY0-095	270				
	B76-120	58		CY0-120	276				
	B88	B76-150	62	D02	D02-025	13			
		B76-195	66		D02-032	35			
		B88-075	294		D02-038	39			
B88-095		300	D02-045		43				
B88-120		306	D02-050		47				
B91	B88-150	312	D02-063		127				
	B91-050	284	D02-075		51				
	B91-075	294	D02-095		55				
B93	B91-095	300	D02-120		59				
	B93-075	294	D02-150		63				
	B93-095	300	D02-195	67					
	B93-120	306	D47-050	285					
B98	B93-150	312	D47	D47-075	295				
	B98-050	253		D67-032	113				
	B98-075	263	D67	D67-038	39				
B98-095	269	D67-045		43					
C05	C05-032	243		D67-050	47				
	C05-038	38		D67-063	87				
	C05-045	42		D67-075	51				
	C05-050	46		D67-095	55				
	C05-063	86		D67-120	59				
	C05-075	50		D67-150	63				
	C05-095	54	D82	D82-050	255				
	C05-120	58		D82-075	265				
	C05-150	62	E03	E03-036	27				
	C05-195	66		E03-045	31				
C15	C15-020	9	E08	E08-038	29				
	C20-032	35		E23-016	485				
C20	C20-038	38		E23	E23-024	499			
	C20-045	42	E23-038		25				
	C20-050	46	E33		E33-050	443			
	C20-075	50		E33-075	445				
	C20-095	54		E33-095	447				
	C20-120	58	E58	E58-028	23				
	C20-150	62		E58-038	25				
	C30	C20-195	66	E63	E63-016	489			
		C30-063	127		E68	E68-038	25		

# FLANGE INDEX

Ø	FLANGE	Page	Ø	FLANGE	Page	Ø	FLANGE	Page		
Ø12	A14-012	3	Ø45	A74-045	199	Ø63	A39-063	85		
	A59-012	3		B21-045	42		A69-063	86		
Ø15	A14-015	5		B36-045	328		AY4-063	288		
	A49-015	5		B41-045	328		B21-063	86		
M16x1.5	E23-016	485		B43-045	248		B36-063	232		
M16x2	E63-016	489		B51-045	68		B41-063	232		
Ø19	A14-019	7		B76-045	42		B76-063	86		
	A19-019	7		C05-045	42		C05-063	86		
	A44-019	7		C20-045	42		C30-063	127		
	A59-019	7		D02-045	43		C35-063	87		
Ø20	A14-020	9		D67-045	43		D02-063	127		
	C15-020	9		M45x1	E03-045		31	D67-063	87	
M22x1.5	E33-050	443		Ø50	A14-050		45	Ø75	A14-075	49
M24x1.5	E23-024	499			A34-050		45		A34-075	49
Ø25	A14-025	11	A49-050		409	A49-075	417			
	A19-025	11	A54-050		409	A54-075	417			
	A44-025	11	A59-050		409	A59-075	417			
	A49-025	11	AX9-050		282	AX9-075	292			
	D02-025	13	AY4-050		282	AY4-075	292			
M28x1.5	E58-028	23	B13-050		252	B13-075	262			
M30x1.5	E33-075	445	B18-050		252	B18-075	262			
Ø32	A14-032	19	B21-050		46	B21-075	50			
	A34-032	19	B28-050		252	B23-075	262			
	A44-032	19	B31-050		446	B28-075	263			
	C05-032	243	B33-050		283	B31-075	445			
	C20-032	35	B36-050		228	B33-075	292			
	D02-032	35	B41-050		228	B36-075	236			
M36x1	E03-036	27	B43-050		253	B41-075	236			
	M36x1.5	E33-095	447		B51-050	68	B43-075		263	
Ø38	A14-038	37	B56-050		283	B56-075	293			
	A19-038	405	B61-050		283	B61-075	293			
	A34-038	37	B71-050		283	B66-075	293			
	B76-038	38	B76-050		46	B71-075	293			
	C05-038	38	B91-050		284	B76-075	50			
	C20-038	38	B98-050		253	B88-075	294			
	D02-038	39	C05-050		46	B91-075	294			
	D67-038	39	C20-050		46	B93-075	294			
M38x1.5	E08-038	29	C35-050		204	B98-075	263			
	E23-038	25	C50-050		204	C05-075	50			
	E58-038	25	CY0-050		254	C20-075	50			
	E68-038	25	D02-050		47	CY0-075	264			
	Ø45	A14-045	41		D47-050	285	D02-075		51	
A34-045		41	D67-050		47	D47-075	295			
Ø63		A69-045	199		D82-050	255	D67-075		51	
		A14-063	85				D82-075		265	

Ø	FLANGE	Page	Ø	FLANGE	Page	Ø	FLANGE	Page	
Ø95	A14-095	53	Ø120	B33-120	304				
	A34-095	53		B36-120	354				
	A49-095	421		B41-120	354				
	A54-095	421		B43-120	275				
	A59-095	421		B56-120	305				
	AX9-095	298		B61-120	305				
	AY4-095	298		B66-120	305				
	B13-095	268		B71-120	305				
	B16-095	69		B76-120	58				
	B18-095	268		B88-120	306				
	B21-095	54		B93-120	306				
	B23-095	268		C05-120	58				
	B28-095	269		C20-120	58				
	B31-095	497		CY0-120	276				
	B33-095	298		D02-120	59				
	B36-095	350		D67-120	59				
	B41-095	350		Ø150	A14-150	61			
	B43-095	269			A19-150	429			
	B56-095	299			A34-150	61			
	B61-095	299			AY4-150	310			
	B66-095	299	B16-150		69				
	B71-095	299	B21-150		62				
	B76-095	54	B36-150		310				
	B88-095	300	B41-150		310				
	B91-095	300	B56-150		311				
	B93-095	300	B61-150		311				
	B98-095	269	B66-150		311				
	C05-095	54	B71-150		311				
	C20-095	54	B76-150		62				
	CY0-095	270	B88-150		312				
	D02-095	55	B93-150		312				
	D67-095	55	C05-150		62				
Ø105	A14-105	239	C20-150		62				
	B36-105	239	D02-150		63				
	B41-105	239	D67-150		63				
Ø120	A14-120	57	Ø195		A14-195	65			
	A19-120	425		A34-195	65				
	A34-120	57		B21-195	66				
	AY4-120	304		B36-195	366				
	B13-120	274		B41-195	366				
	B16-120	69		B76-195	66				
	B18-120	274		C05-195	66				
	B21-120	58		C20-195	66				
	B23-120	274		D02-195	67				
	B28-120	275							













Landalucía, 7, P.I. Júndiz  
01015 Vitoria-Gasteiz  
Tel.: +34 945 290 010  
Fax: +34 945 290 381

[azolgas@azolgas.com](mailto:azolgas@azolgas.com)  
[www.azolgas.com](http://www.azolgas.com)