

	Page
Eccentric Stop / Flex Stop Aluminum	498
Flex Stop Steel	500
Universal Stop 50 L / 80 L	502
Universal Stop 75 L / 115 L	504
Universal Stop 150 L / Clamping Bridge	506
Universal Stop 300 M / 500 M	508
Flat Square 250 / Angle Alignment Template	510



Eccentric Stop



160401



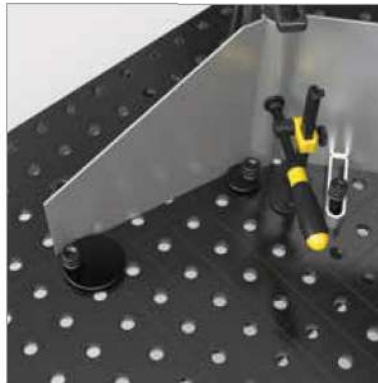
160402



160403

Description:

Eccentric Stops, perfectly suited for infinite adjustment of elements by simply twisting them, with minimum space requirements.



	Ø: (o)	MS: (d)	Weight:	Item No.
Eccentric Stop Ø 45 - Burnished - in situations with limited space	45 mm	12 mm	0,13 kg	2-160401 ●
Eccentric Stop Ø 75 with M10 thread - Burnished - for ground connection	75 mm	12 mm	0,38 kg	2-160402 ●
Eccentric Stop Ø 75 - Burnished - also serves as support surface	75 mm	12 mm	0,39 kg	2-160403 ●

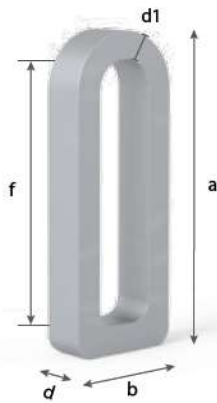
MS=Material thickness;

● = Stock item / ○ = Item is made to order

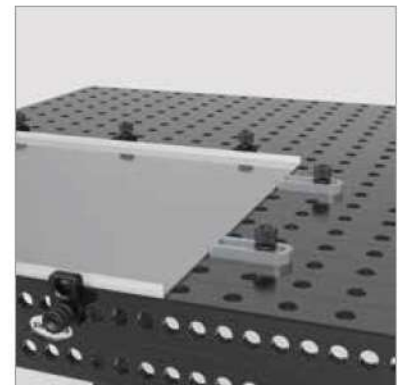
Flex Stop 83 Aluminum

Description:

Flex Stop Aluminum, individually adjustable through the oblong slot. Due to its radiused clamping sides, it can be versatilely used in corners as well as freeform stop surfaces. The Flex Stop is favoured when working with stainless steel and in confined spaces.



160412

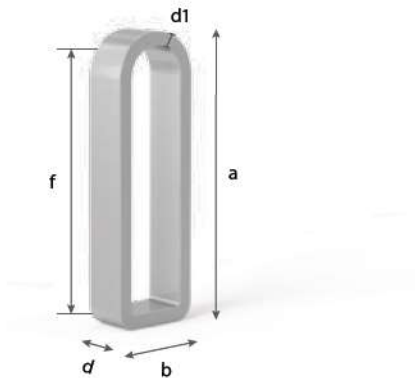


	Length: (a)	Width: (b)	MS: (d)	WS: (d1)	VB: (f)	Weight:	Item No.
Flex Stop 12x83 - Aluminum	83 mm	31 mm	12 mm	8 mm	50 mm	0,05 kg	2-160412 ●

MS=Material thickness; WS=Wall thickness; VB=Adjusting range;

● = Stock item / ○ = Item is made to order

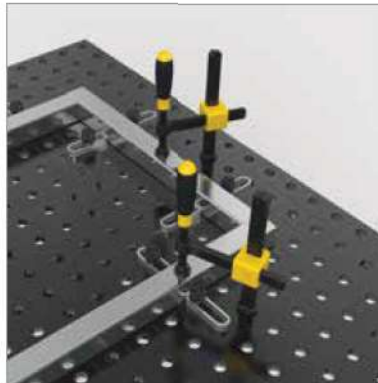
Flex Stop 76 Steel



160415



160416



Description:

Flex-Stop Steel, individually adjustable through the oblong hole. It can be versatilely used, both on corners as well as on free shaped stop surfaces, due to its rounded clamping surfaces. The Flex Stop is favored in confined spaces.

	Length: (a)	Width: (b)	MS: (d)	WS: (d1)	VB: (f)	Weight:	Item No.
Flex Stop 12x76 - galvanized	76 mm	24 mm	12 mm	4 mm	50 mm	0,07 kg	2-160415 ●
Flex Stop 24x76 - Clamping Bolt long required - galvanized	76 mm	24 mm	24 mm	4 mm	50 mm	0,13 kg	2-160416 ●

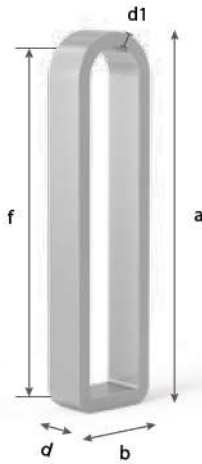
MS=Material thickness; WS=Wall thickness; VB=Adjusting range;

● = Stock item / ○ = Item is made to order

Flex Stop 97 Steel

Description:

Flex-Stop Steel, individually adjustable through the oblong hole. It can be versatilely used, both on corners as well as on free shaped stop surfaces, due to its rounded clamping surfaces. The Flex Stop is favored in confined spaces.



160417



160418



	Length: (a)	Width: (b)	MS: (d)	WS: (d1)	VB: (f)	Weight:	Item No.
Flex Stop 12x97 - galvanized	97 mm	24 mm	12 mm	4 mm	71 mm	0,08 kg	2-160417 ●
Flex Stop 24x97 - Clamping Bolt long required - galvanized	97 mm	24 mm	24 mm	4 mm	71 mm	0,16 kg	2-160418 ●

MS=Material thickness; WS=Wall thickness; VB=Adjusting range;

● = Stock item / ○ = Item is made to order

Universal Stop 50 L

Description:

Universal Stop 50 L, can be firmly fixed in place through the two system bore holes. Especially in confined spaces it offers many application options.



160407



Universal Stop 50 L
- Burnished

Length: (a)	Width: (b)	MS: (d)	Weight:	Item No.
50 mm	30 mm	12 mm	0,08 kg	2-160407 ●

MS=Material thickness:

● = Stock item / ○ = Item is made to order

Universal Stop 80 L

Description:

Universal Stop 80 L, can be firmly fixed in place through the three system bore holes.



160408

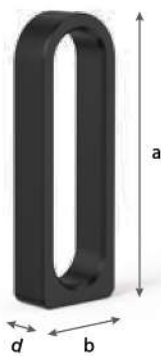


Universal Stop 80 L - Burnished	Length: (a)	Width: (b)	MS: (d)	Weight:	Item No.
	80 mm	30 mm	12 mm	0,16 kg	2-160408 ●

MS=Material thickness;

● = Stock item / ○ = Item is made to order

Universal Stop 75 L



160410.N



160410



160410.C

Description:

The Universal Stop 75 L, individually adjusted through the oblong hole within a range of 0-50 mm.

Chromed version available for work on measuring tables, working with aluminum and for TIG-welding.



	Length: (a)	Width: (b)	MS: (d)	VB: (f)	Weight:	Item No.
Universal Stop 75 L - Nitrided	75 mm	30 mm	12 mm	50 mm	0,07 kg	2-160410.N ●
Universal Stop 75 L - Burnished	75 mm	30 mm	12 mm	50 mm	0,07 kg	2-160410 ●
Universal Stop 75 L - Chromed	75 mm	25 mm	12 mm	50 mm	0,07 kg	2-160410.C ○

MS=Material thickness; VB=Adjusting range;

● = Stock item / ○ = Item is made to order

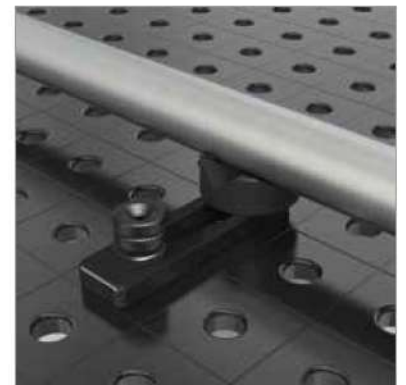
Universal Stop 115 L



Description:

Universal Stop 115 L, fixed or variably adjustable, due to the combination of oblong slot and system bore holes (adjustment range 0-50 mm). It is also appropriate for use with prisms and adapters.

Chromed version available for work on measuring tables, working with aluminum and for TIG-welding.



	Length: (a)	Width: (b)	M5: (d)	VB: (f)	Weight:	Item No.
Universal Stop 115 L - Nitrided - Standard with fine scaling on both sides	115 mm	30 mm	12 mm	50 mm	0,20 kg	2-160420.N ●
Universal Stop 115 L - Burnished	115 mm	30 mm	12 mm	50 mm	0,20 kg	2-160420 ●
Universal Stop 115 L - Aluminum	115 mm	30 mm	12 mm	50 mm	0,05 kg	2-160420.A ●
Universal Stop 115 L - Chromed	115 mm	30 mm	12 mm	50 mm	0,20 kg	2-160420.C ○

M5=Material thickness; VB=Adjusting range;

● = Stock item / ○ = Item is made to order

Universal Stop 150 L



160422



160422.C

Description:

Universal Stop 150 L, enables fixed and versatile adjustment (0-50 mm range), due to the combination of the oblong slot and system bore holes. It is also suitable for work with prisms and adapters.

Chromed version available for work on measuring tables, working with aluminum and for TIG-welding.



	Length: (a)	Width: (b)	MS: (d)	VB: (f)	Weight:	Item No.
--	-------------	------------	---------	---------	---------	----------

Universal Stop 150 L

- 3 system bore holes
- Burnished
- Standard with fine scaling on both sides

150 mm

35 mm

12 mm

50 mm

0,33 kg

2-160422 ●

Universal Stop 150 L

- 3 system bore holes
- Chromed
- Standard with fine scaling on both sides

150 mm

35 mm

12 mm

50 mm

0,33 kg

2-160422.C ○

MS=Material thickness; VB=Adjusting range;

● = Stock item / ○ = Item is made to order

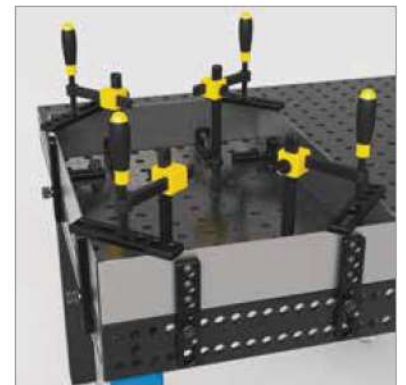
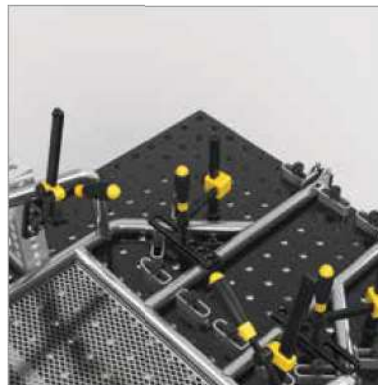
Universal Stop / Clamping Bridge

Description:

Universal Stop, can also be used as clamping bridge. Using the small hole in the center, the Stop can be fastened with a screw clamp.



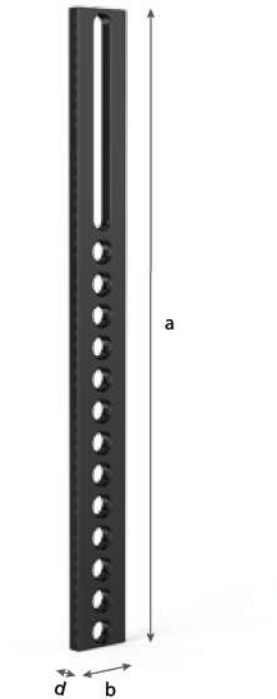
160450



	Length: (a)	Width: (b)	Ø: (o)	M5: (d)	VB: (f)	Weight:	Item No.
Universal Stop / Clamping Bridge - 3 system bore holes - Burnished	175 mm	35 mm	16 mm	12 mm	50 mm	0,40 kg	2-160450 ●

M5=Material thickness; VB=Adjusting range;
● = Stock item / ○ = Item is made to order

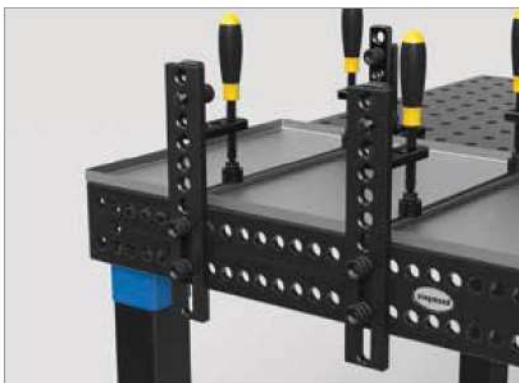
Universal Stop 300 M / 500 M



Description:

Universal Stop 300 M / 500 M, can be firmly or variably fixed due to the combination of system bore holes and the oblong slot (adjustment range 0-150 mm), therefore offering a multitude of clamping options.

Chromed version available for work on measuring tables, working with aluminum and for TIG-welding.



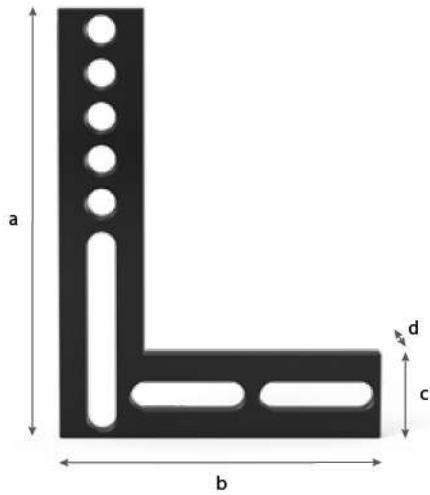


	Length: (a)	Width: (b)	MS: (d)	Weight:	Item No.
Universal Stop 300 M - 7 system bore holes - Burnished	300 mm	50 mm	12 mm	1,08 kg	2-160425 ●
Universal Stop 300 M - 7 system bore holes - Chromed	300 mm	50 mm	12 mm	1,08 kg	2-160425.C ○
Universal Stop 500 M - 13 system bore holes - Burnished	500 mm	50 mm	12 mm	1,85 kg	2-160432 ●
Universal Stop 500 M - 13 system bore holes - Chromed	500 mm	50 mm	12 mm	1,85 kg	2-160432.C ○

MS=Material thickness;

● = Stock item / ○ = Item is made to order

Flat Square 250



160444

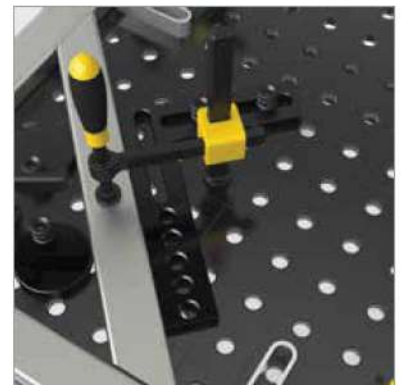


160444.C

Description:

Flat Square, fixed or variably adjustable due to the combination of system bore holes and the oblong slot. The Flat Square is freely adjustable over a length of up to 100 mm.

Chromed version available for work on measuring tables, working with aluminum and for TIG-welding.



	Length: (a)	Width: (b)	Height: (c)	MS: (d)	Weight:	Item No.
--	-------------	------------	-------------	---------	---------	----------

Flat Square - 5 system drill holes - Burnished	250 mm	188 mm	50 mm	12 mm	1,35 kg	2-160444 ●
---	--------	--------	-------	-------	---------	------------

Flat Square - 5 system drill holes - Chromed	250 mm	188 mm	50 mm	12 mm	1,35 kg	2-160444.C ○
---	--------	--------	-------	-------	---------	--------------

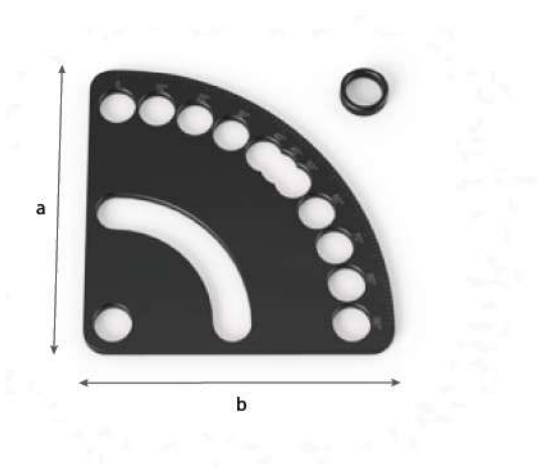
MS=Material thickness;

● = Stock item / ○ = Item is made to order

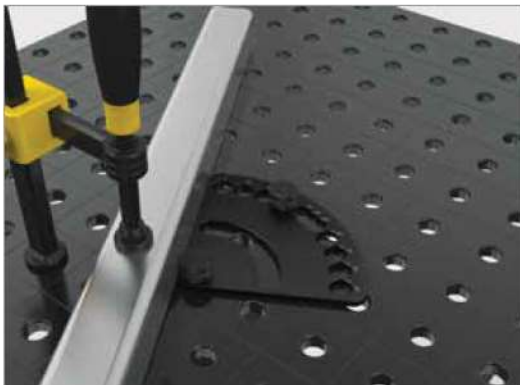
Angle Alignment Template

Description:

Angular Adjustment Template, enables precise adjustment, optional in 10° increments or continuously variable from 0-90°. Versatile application due to 1° precision scale.



160455



Angle Alignment Template	Length: (a)	Width: (b)	Height: (c)	Weight:	Item No.
- Burnished - Spacer Sleeve incl.	130 mm	130 mm	5 mm	0,40 kg	2-160455 ●

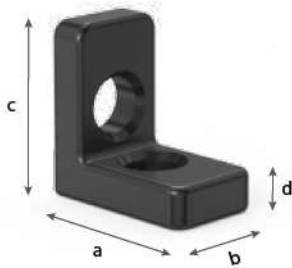
● = Stock item / ○ = Item is made to order



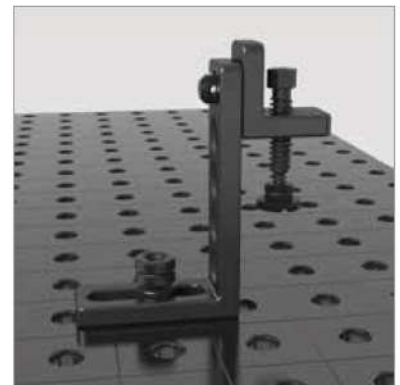
	Page
Stop and Clamping Square 50 L / 90 X / 90 SL	514
Stop and Clamping Square 90 L	516
Stop and Clamping Square 90 WL / 90 VL / 140 L	518
Stop and Clamping Square 150 L / Rotation Angle 90 / 150	520
Stop and Clamping Square 300 G / 500 G	522
Stop and Clamping Square 250 GK / 500 GK	524
Stop and Clamping Square 250 G with rotation angle	526
Stop and Clamping Square 750 GK Plasma nitrided	528
Stop and Clamping Square Aluminum-Titanium	530
Stop and Clamping Square 250 D / 500 D / 750 D	532
<hr/>	
Adjustable Angle Protractor	534
Corner Connection / Support and Clamping Frame	536
<hr/>	
Clamping Block	538
Square U-Shape 100/100	540
Square U-Shape 200/100	542



Stop and Clamping Square 50 L



160105



Description:

Stop and Clamping Square 50 L, applicable as a stop for large footprints. In addition, it is compatible with other squares. A height-adjustable surface can be created by combining it with a Stop and Clamping Square equipped with an oblong slot, e.g. 90 WL (Item No. 160111).

Length: (a)	Width: (b)	Height: (c)	MS: (d)	Weight:	Item No.
50 mm	30 mm	50 mm	12 mm	0,20 kg	2-160105 ●

Stop and Clamping Square 50 L
- Burnished

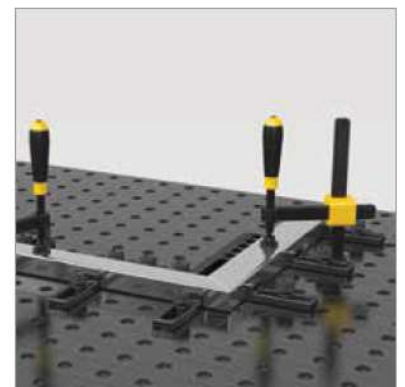
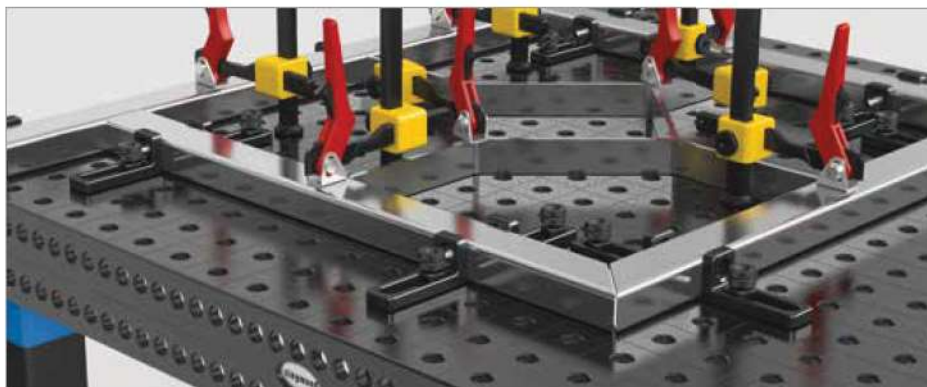
MS=Material thickness;

● = Stock item / ○ = Item is made to order

Stop and Clamping Square 90 X / 90 SL

Description:

Stop and Clamping Square 90 SL / 90 X, can be used as a stop for large sections. By clamping the oblong slot, the Stop and Clamping Square 90 SL creates a height-adjustable surface.

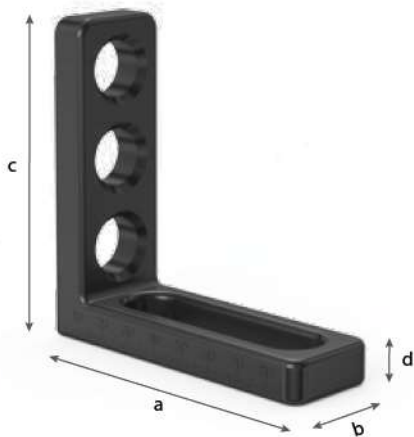


	Length: (a)	Width: (b)	Height: (c)	M5: (d)	Weight:	Item No.
Stop and Clamping Square 90 X - Nitrided - Standard with fine scaling on both sides	90 mm	30 mm	25 mm	12 mm	0,19 kg	2-160108.N ●
Stop and Clamping Square 90 X - Burnished	90 mm	30 mm	25 mm	12 mm	0,19 kg	2-160108 ●
Stop and Clamping Square 90 SL - Burnished - Standard with fine scaling on both sides	90 mm	30 mm	40 mm	12 mm	0,21 kg	2-160109 ●

M5=Material thickness;

● = Stock item / ○ = Item is made to order

Stop and Clamping Square 90 L



160110.N



160110.G



160110.A

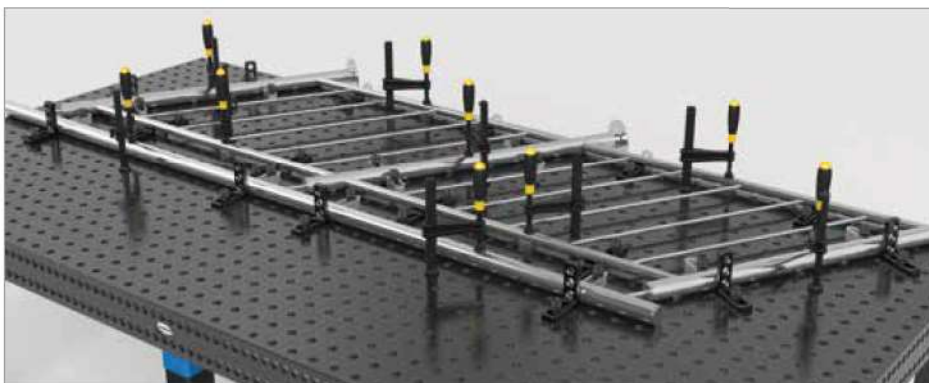


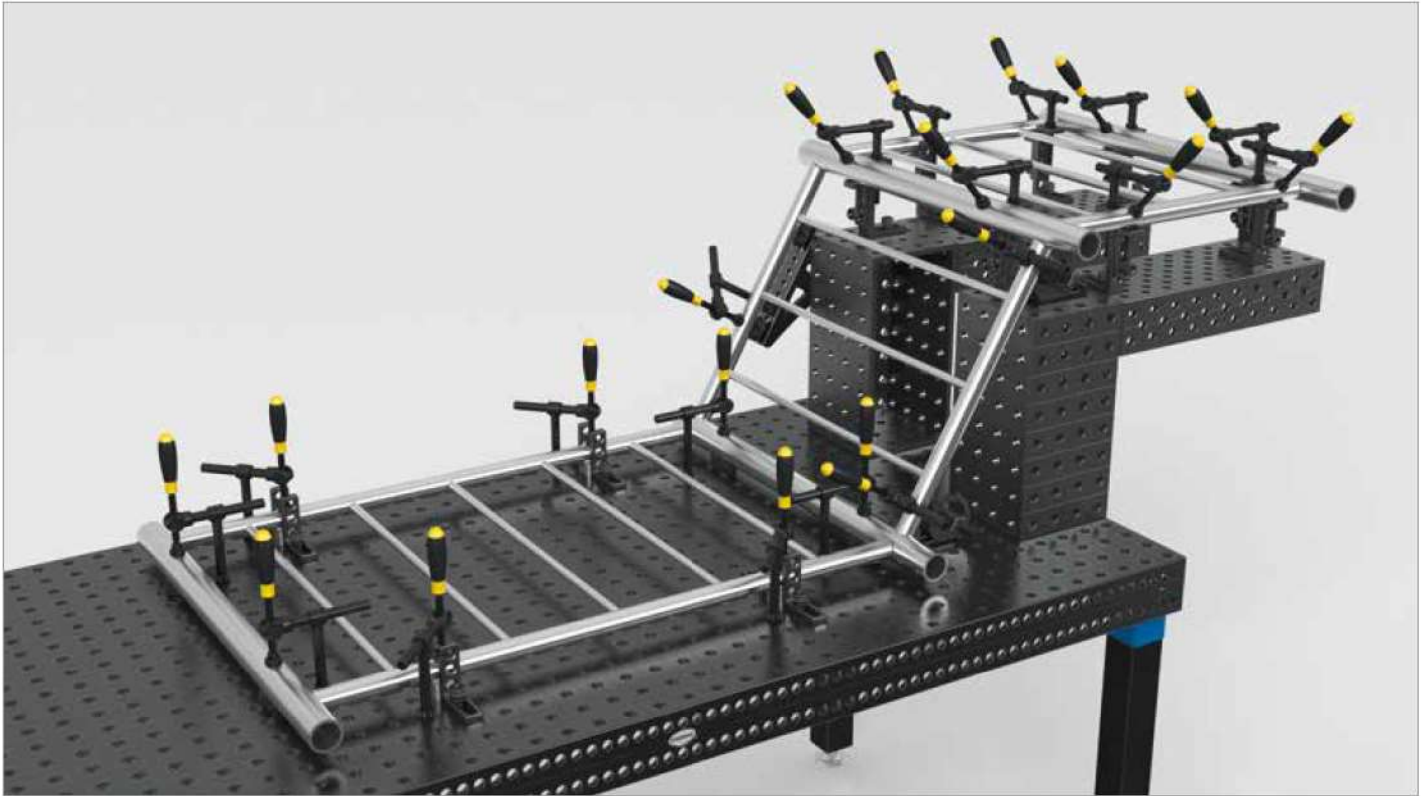
160110.C

Description:

Stop and Clamping Square 90 L, can be utilized as a multifunctional adjustable angle, by combining system bore holes and oblong slot. A height-adjustable support can be created, by combining the Stop and Clamping Square 50 L (Item No. 160105) and the Stop and Clamping Square 90 SL (Item No. 160109). It also functions well as a stop for large parts.

Chromed version available for work on measuring tables, working with aluminum and for TIG-welding.



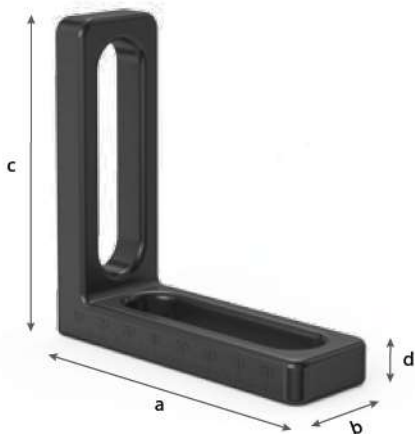


	Length: (a)	Width: (b)	Height: (c)	MS: (d)	Weight:	Item No.
Stop and Clamping Square 90 L - drill hole / oblong slot - Nitrided - Standard with fine scaling on both sides	90 mm	30 mm	90 mm	12 mm	0,31 kg	2-160110.N ●
Stop and Clamping Square 90 L Cast Iron - drill hole / oblong slot - Burnished	90 mm	30 mm	90 mm	12 mm	0,28 kg	2-160110.G ●
Stop and Clamping Square 90 L Aluminum - drill hole / oblong slot - Aluminum	90 mm	30 mm	90 mm	12 mm	0,11 kg	2-160110.A ●
Stop and Clamping Square 90 L Chromed - drill hole / oblong slot - Chromed	90 mm	30 mm	90 mm	12 mm	0,31 kg	2-160110.C ○

MS=Material thickness;

● = Stock item / ○ = Item is made to order

Stop and Clamping Square 90 WL / 90 VL



160111

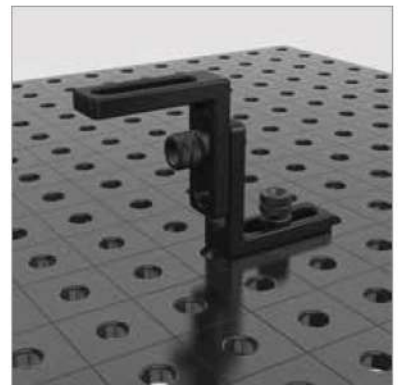


160113

Description:

Stop and Clamping Square 90 WL, adjustable due to the oblong slots, it is a versatile and infinitely variable tool.

Stop and Clamping Square 90 VL (Item No. 160113), with both-sided bore holes can be used as a fix support bracket. By connecting it with the Stop and Clamping Square 50 L (Item No. 160105) and the Stop and Clamping Square 90 SL (Item No. 160109), it can be utilized as a height-adjustable support.



	Length: (a)	Width: (b)	Height: (c)	MS: (d)	Weight:	Item No.
Stop and Clamping Square 90 WL - slot / slot - Burnished - Standard with fine scaling on both sides	90 mm	30 mm	90 mm	12 mm	0,27 kg	2-160111 ●
Stop and Clamping Square 90 VL - drill hole / drill hole - Burnished - Standard with fine scaling on both sides	90 mm	30 mm	90 mm	12 mm	0,34 kg	2-160113 ●

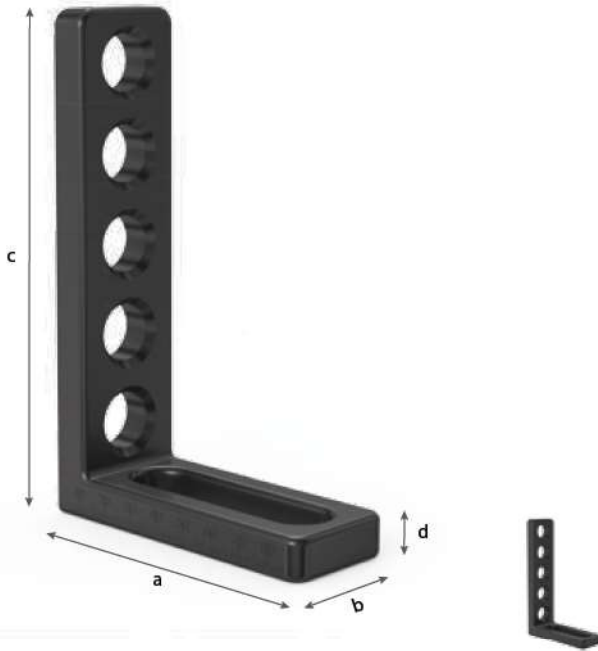
MS=Material thickness;

● = Stock item / ○ = Item is made to order

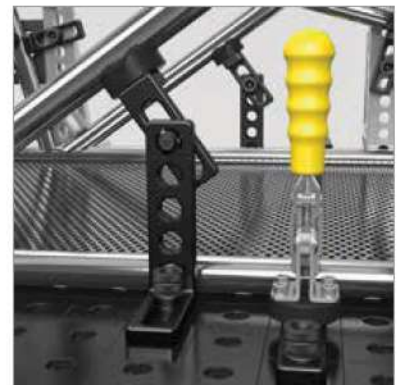
Stop and Clamping Square 140 L

Description:

Stop and Clamping Square 140 L, can be used for a large variety of tasks, such as a table extension for lightweight components. Due to the oblong slot, it can also function as a stop for high elements.



160112

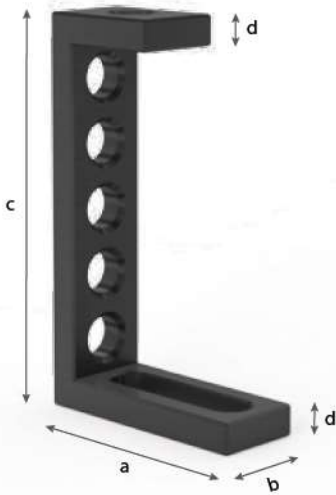


	Length: (a)	Width: (b)	Height: (c)	MS: (d)	Weight:	Item No.
Stop and Clamping Square 140 L - 5 system bore holes / oblong slot - Burnished - Standard with fine scaling on both sides	90 mm	35 mm	140 mm	12 mm	0,51 kg	2-160112 ●

MS=Material thickness;

● = Stock item / ○ = Item is made to order

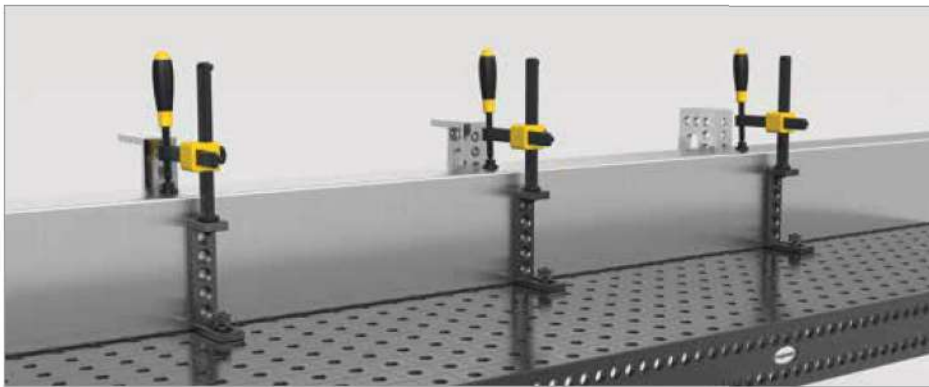
Stop and Clamping Square 150 L



160114

Description:

Stop and Clamping Square 150 L, adjustable square for a multitude of applications, due to the combination of system bore holes and oblong slot. The additional head plate enables further combination options: In connection with other squares or as intake for tools like prisms or clamps.



Length: (a)	Width: (b)	Height: (c)	M5: (d)	Weight:	Item No.
90 mm	35 mm	150 mm	12 mm	0,65 kg	2-160114 ●

Stop and Clamping Square 150 L

- 6 system drill holes / oblong slot
- Burnished

M5=Material thickness;

● = Stock item / ○ = Item is made to order

Description:

The Angle of Rotation allows the infinitely variable adjustment of clamping elements with system drill holes at an angle range of 180°.

Optimal fixation is achieved by using 2 clamping bolts simultaneously.



160100

160101



	Height: (c)	Ø: (o)	Weight:	Item No.
Rotation Angle 90 - Burnished	90 mm	90 mm	0,50 kg	2-160100 ●
Rotation Angle 150 - Burnished	150 mm	150 mm	1,80 kg	2-160101 ●

● = Stock item / ○ = Item is made to order

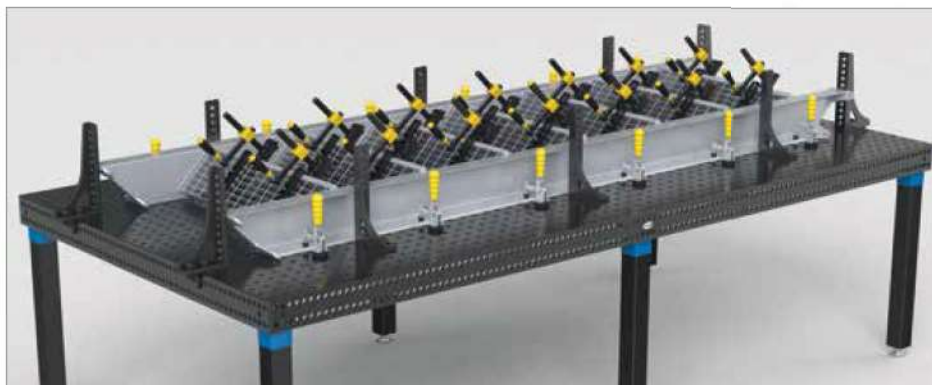
Stop and Clamping Square 300 G

Description:

Stop and Clamping Square 300 G, fixed and variably adjustable due to the combination of system bore holes and oblong slot. It can be used versatilely e.g. as table extension. This element is manufactured of high quality GGG40 ductile cast iron.



160162



Length: (a)	Width: (b)	Height: (c)	M5: (d)	Weight:	Item No.
-------------	------------	-------------	---------	---------	----------

Stop and Clamping Square 300 G

- stop on left
- Burnished

150 mm	50 mm	300 mm	12 mm	2,40 kg	2-160162 ●
--------	-------	--------	-------	---------	------------

M5=Material thickness;

● = Stock item / ○ = Item is made to order

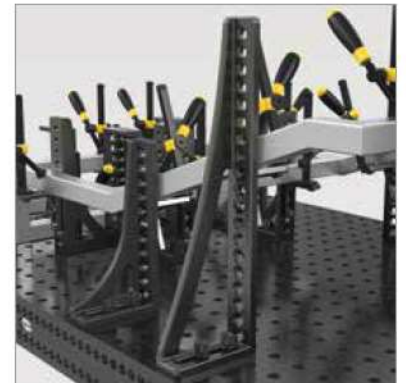
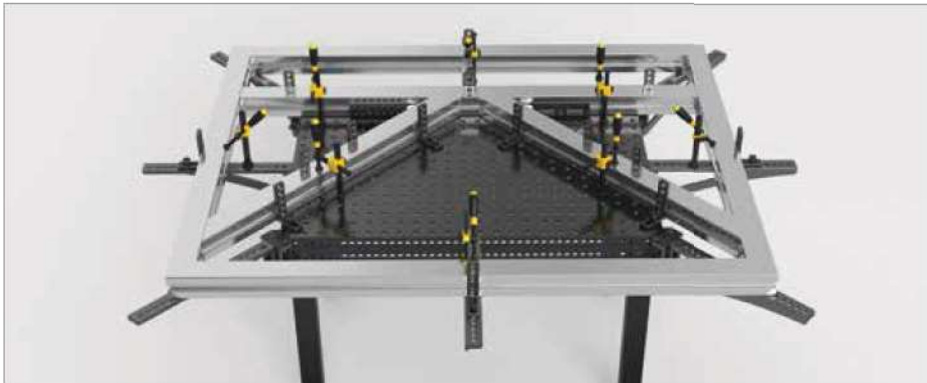
Stop and Clamping Square 500 G

Description:

Stop and Clamping Square 500 G, fixed and variably adjustable due to the combination of system bore holes and oblong slot. It can be used versatilely e.g. as table extension. This element is manufactured of high quality GGG40 ductile cast iron.



160164

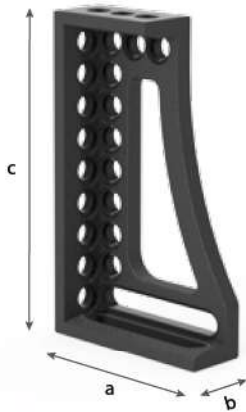


	Length: (a)	Width: (b)	Height: (c)	M5: (d)	Weight:	Item No.
Stop and Clamping Square 500 G - stop on left - Burnished	150 mm	50 mm	500 mm	12 mm	4,40 kg	2-160164 ●

M5=Material thickness;

● = Stock item / ○ = Item is made to order

Stop and Clamping Square 250 GK



160124

160126



Description:

Stop and Clamping Square 250 GK, opens up a multitude of clamping options, due to its three-dimensionality. It was specifically designed for heavy parts. It serves both as a stop as well as a table extension. In order to achieve maximum stability, the Stop and Clamping Square is manufactured of GGG40 ductile cast iron. Ordering in pairs is recommended.

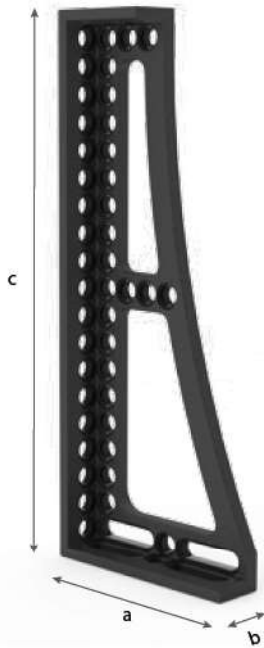
	Length: (a)	Width: (b)	Height: (c)	Weight:	Item No.
Stop and Clamping Square 250 GK - stop on left - Burnished - standard with fine scale	145 mm	50 mm	250 mm	2,10 kg	2-160124 ●
Stop and Clamping Square 250 GK - stop on right - Burnished - standard with fine scale	145 mm	50 mm	250 mm	2,10 kg	2-160126 ●

● = Stock item / ○ = Item is made to order

Stop and Clamping Square 500 GK

Description:

Stop and Clamping Square 500 GK, opens up a multitude of clamping options, due to its three-dimensionality. It was specifically designed for heavy parts. It serves both as a stop as well as a table extension. In order to achieve maximum stability, the Stop and Clamping Square is manufactured of GGG40 ductile cast iron. Ordering in pairs is recommended.



160134



160136



	Length: (a)	Width: (b)	Height: (c)	Weight:	Item No.
Stop and Clamping Square 500 GK - stop on left - Burnished - standard with fine scale	195 mm	50 mm	500 mm	5,30 kg	2-160134 ●
Stop and Clamping Square 500 GK - stop on right - Burnished - standard with fine scale	195 mm	50 mm	500 mm	5,30 kg	2-160136 ●

● = Stock item / ○ = Item is made to order

Stop and Clamping Square 250 G with rotation angle

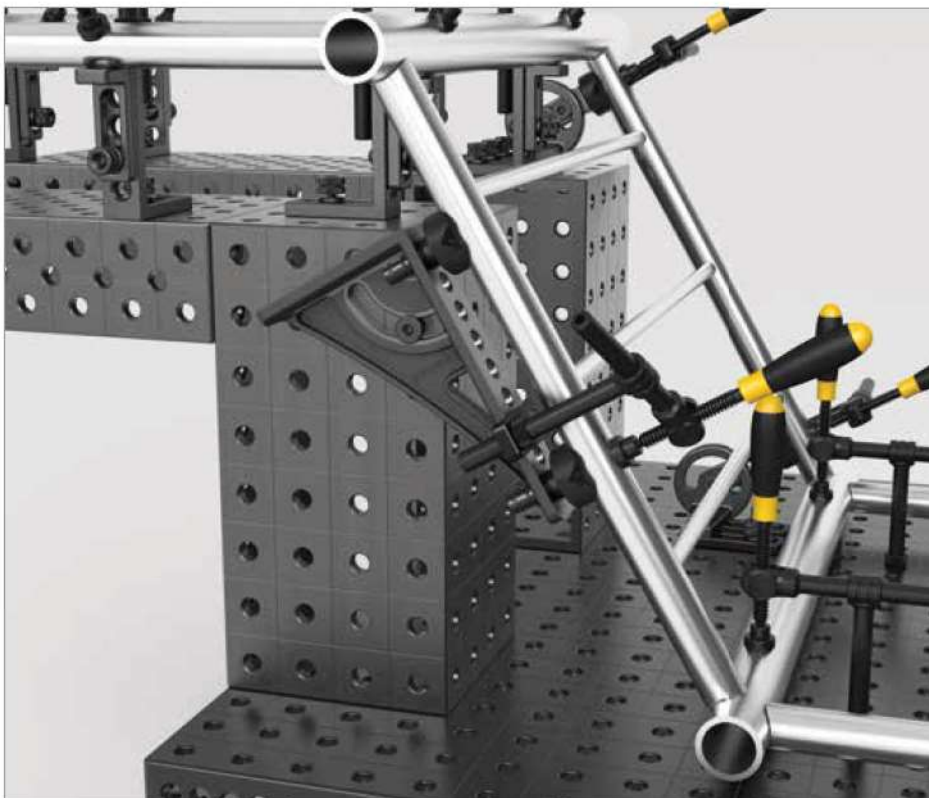


160161

160163

Description:

Stop and Clamping Square 250 G, fixed and variably adjustable due to the combination of system bore holes and oblong slot. It can be used versatilely e.g. as table extension. This element is manufactured of high quality GGG40 ductile cast iron.

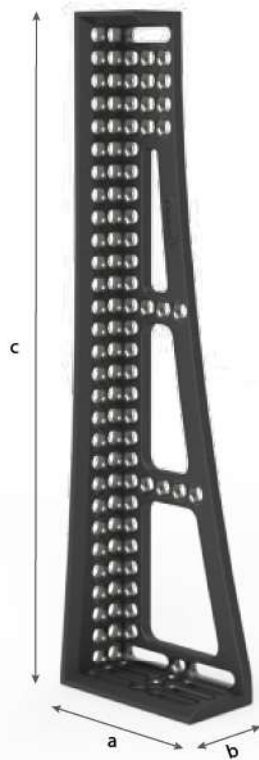




	Length: (a)	Width: (b)	Height: (c)	Weight:	Item No.
Stop and Clamping Square 250 G with rotation angle - stop on left - Cast iron / Burnished	145 mm	50 mm	250 mm	2,16 kg	2-160161 ●
Stop and Clamping Square 250 G with rotation angle - stop on right - Cast iron / Burnished	145 mm	50 mm	250 mm	2,16 kg	2-160163 ●

● = Stock item / ○ = Item is made to order

Stop and Clamping Square 750 GK Plasma nitrided

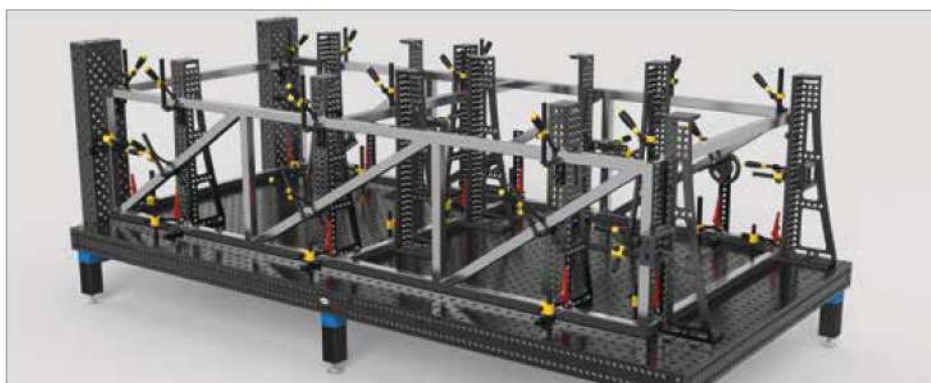


160146.P

160148.P

Description:

Stop and Clamping Square 750 GK, opens up a multitude of clamping options, due to its three-dimensionality. It was specifically designed for heavy parts. It serves both as a stop as well as a table extension. In order to achieve maximum stability, the Stop and Clamping Square is manufactured of GGG40 ductile cast iron. Ordering in pairs is recommended.

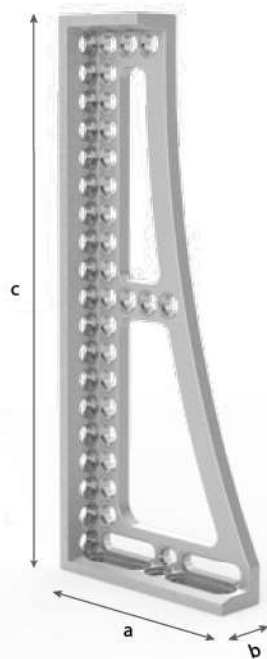




	Length: (a)	Width: (b)	Height: (c)	Weight:	Item No.
Stop and Clamping Square 750 GK Plasma nitrided - stop on left - standard with fine scale	200 mm	100 mm	750 mm	8,30 kg	2-160146.P ●
Stop and Clamping Square 750 GK Plasma nitrided - stop on right - standard with fine scale	200 mm	100 mm	750 mm	8,30 kg	2-160148.P ●

● = Stock item / ○ = Item is made to order

Stop and Clamping Square Aluminum-Titanium



160120



160121



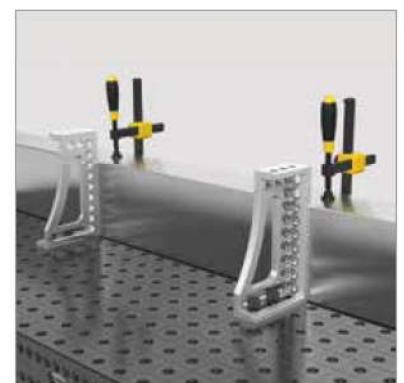
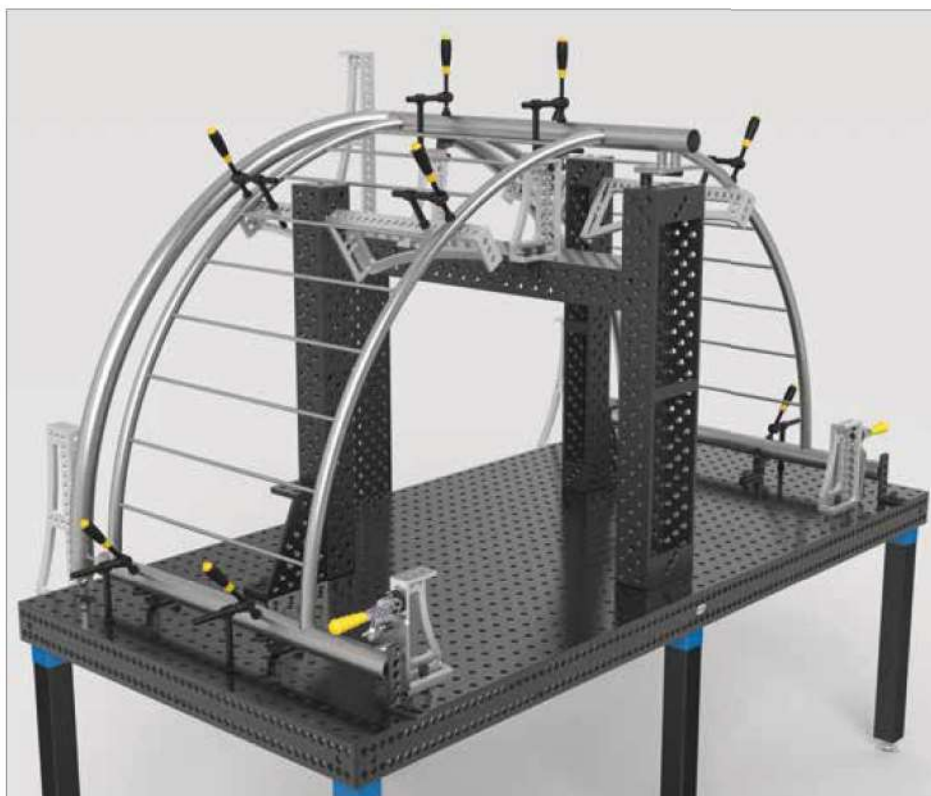
160138



160139

Description:

Stop and Clamping Square GK aluminum-titanium, facilitates a multitude of clamping options, due to its three-dimensionality. It is especially designed for working with heavy parts, and can be used as a stop as well as a table extension. Stop and Clamping Squares are manufactured using an aluminum-titanium alloy, to reach maximum stability. Ordering in pairs is recommended.

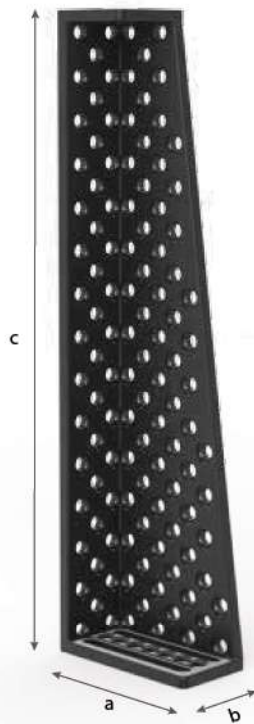




	Length: (a)	Width: (b)	Height: (c)	Weight:	Item No.
Stop and Clamping Square 250 GK Aluminum-Titanium - stop on left - standard with fine scale	145 mm	50 mm	250 mm	1,20 kg	2-160120 ●
Stop and Clamping Square 250 GK Aluminum-Titanium - stop on right - standard with fine scale	145 mm	50 mm	250 mm	1,20 kg	2-160121 ●
Stop and Clamping Square 500 GK Aluminum-Titanium - stop on left - standard with fine scale	195 mm	50 mm	500 mm	5,30 kg	2-160138 ●
Stop and Clamping Square 500 GK Aluminum-Titanium - stop on right - standard with fine scale	195 mm	50 mm	500 mm	5,30 kg	2-160139 ●

● = Stock item / ○ = Item is made to order

Stop and Clamping Square 250 D / 500 D / 750 D



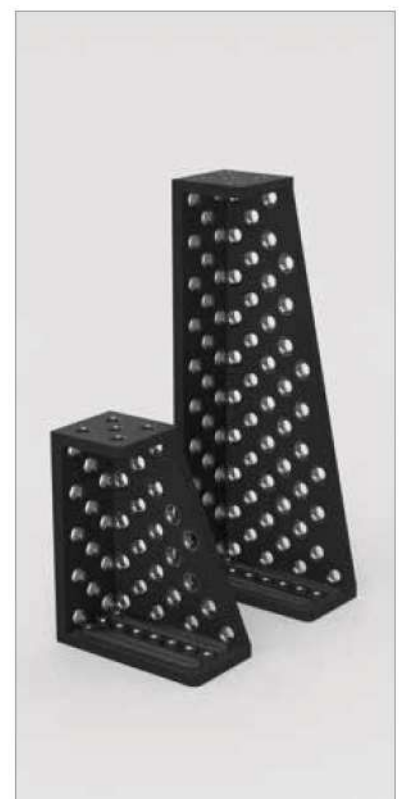
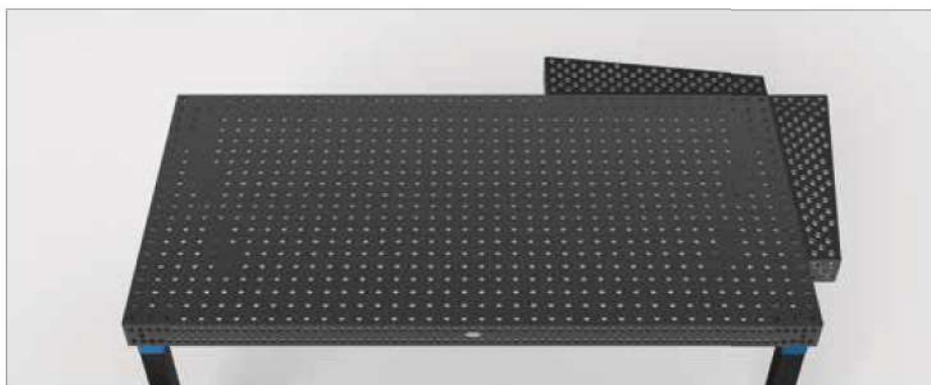
160140.P

160142.P

160144.P

Description:

Stop and Clamping Square 250 D / 500 D / 750 D, three-dimensional with diagonal hole arrangement, enables a multitude of clamping options. It works well as a table extension or vertical superstructure, in combination with other squares and stops. To achieve maximum stability, the Stop and Clamping Square is manufactured of GGG40 ductile cast iron.

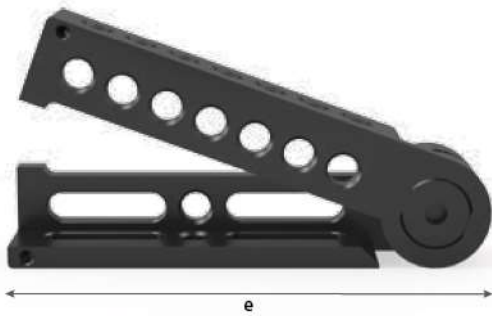




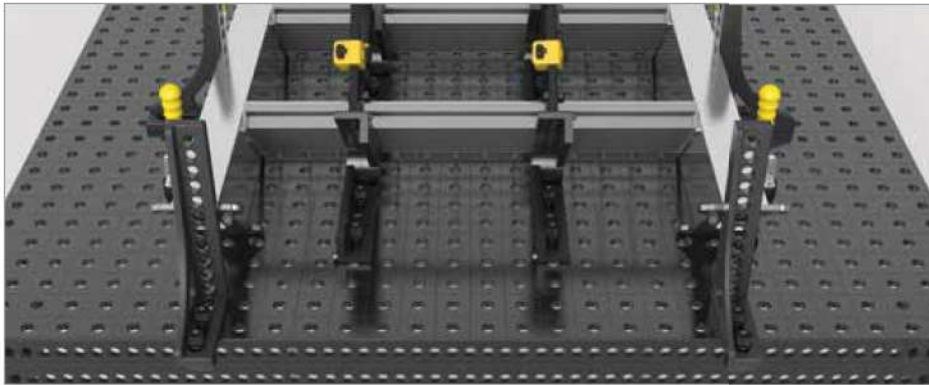
	Length: (a)	Width: (b)	Height: (c)	Weight:	Item No.
Stop and Clamping Square 250 D Plasma nitrided - stop on right	200 mm	100 mm	250 mm	6,60 kg	2-160140.P ●
Stop and Clamping Square 500 D Plasma nitrided - stop on right	200 mm	100 mm	500 mm	11,50 kg	2-160142.P ●
Stop and Clamping Square 750 D Plasma nitrided - stop on right	200 mm	100 mm	750 mm	16,40 kg	2-160144.P ●

● = Stock item / ○ = Item is made to order

Adjustable Angle Protractor



160170



Description:

Adjustable Angle Protractor, ideal for angle applications with high repeat accuracy. Any individual angular degree between 10° and 150° can be set. The angular degree is adjusted by using the setup template and an allen key. The Setup template is included with delivery.

Adjustable Angle Protractor

- Burnished
- incl setting template

SL=Side length;

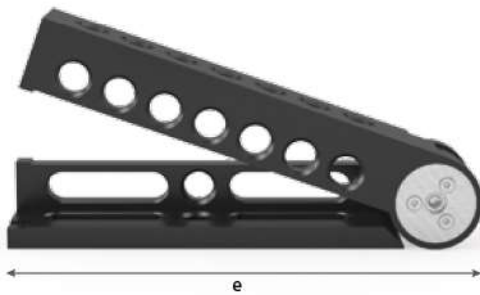
● = Stock item / ○ = Item is made to order

SL: (e)	Weight:	Item No.
350 mm	3,40 kg	2-160170 ●

Universal Angle Hydromechanical Clamping

Description:

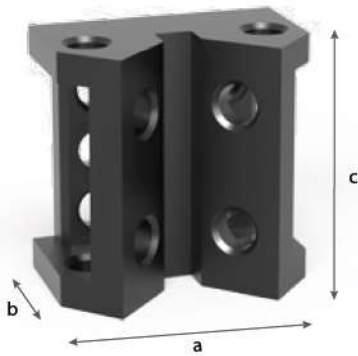
Universal Angle Hydromechanical Clamping, facilitates an angular structure with high retention force based on hydromechanical clamping. This square is infinitely variable ranging from 0° to 225°. A Digital Angle Gauge ensures precise setting (not included in delivery). The matching 6 mm Allen Key is available as Item No. 280852.1.



	SL: (e)	Weight:	Item No.
Universal Angle Hydromechanical Clamping - Burnished	250 mm	2,80 kg	2-160171 ●
Allen Wrench 6 - yellow		0,09 kg	2-280852.1 ●

SL=Side length;
● = Stock item / ○ = Item is made to order

Corner Connection, Cast Iron



160190



Description:

Corner Connector Cast Iron, with optional diagonal 45° table extension provides additional work space. The Corner Connector is quickly adjustable in a lock-type position. It can be used as a prism, stop or connector piece - compatible with all other squares. The Corner Connector is extremely sturdy and provides connecting, stop- and clamping options on 5 sides.

For maximum stability, the Corner Connector is made of GGG40 ductile cast iron.

Corner Connection, Cast Iron
- Burnished

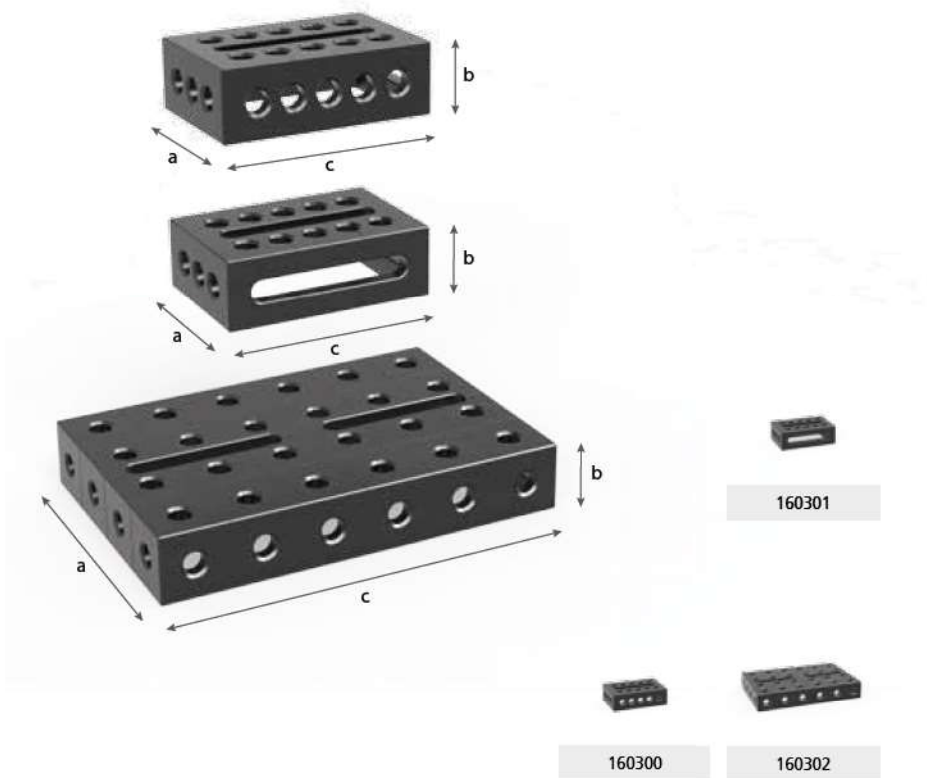
Length: (a)	Width: (b)	Height: (c)	Weight:	Item No.
100 mm	65 mm	100 mm	1,70 kg	2-160190 ●

● = Stock item / ○ = Item is made to order

Support and Clamping Frame

Description:

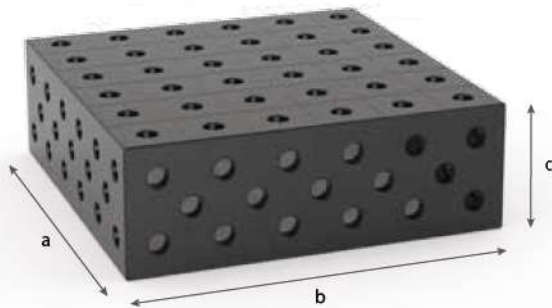
Support and Clamping Frame, serves as a connection for different elements. It can be used as a table extension or console as well. The system bore holes with a 50 mm grid on five sides provide a wide range of combination options. Both fixed and variable stops are possible, as a result of the bore holes and the oblong slots.



	Length: (a)	Width: (b)	Height: (c)	Weight:	Item No.
Support and Clamping Frame, small - stop on right - Burnished	100 mm	50 mm	150 mm	2,10 kg	2-160300 ●
Support and Clamping Frame, small - stop on left - Burnished	100 mm	50 mm	150 mm	2,10 kg	2-160301 ●
Support and Clamping Frame, large - Burnished	200 mm	50 mm	300 mm	7,40 kg	2-160302 ●

● = Stock item / ○ = Item is made to order

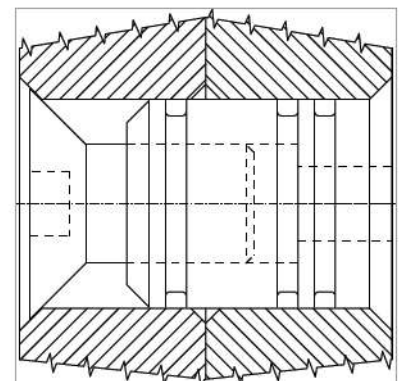
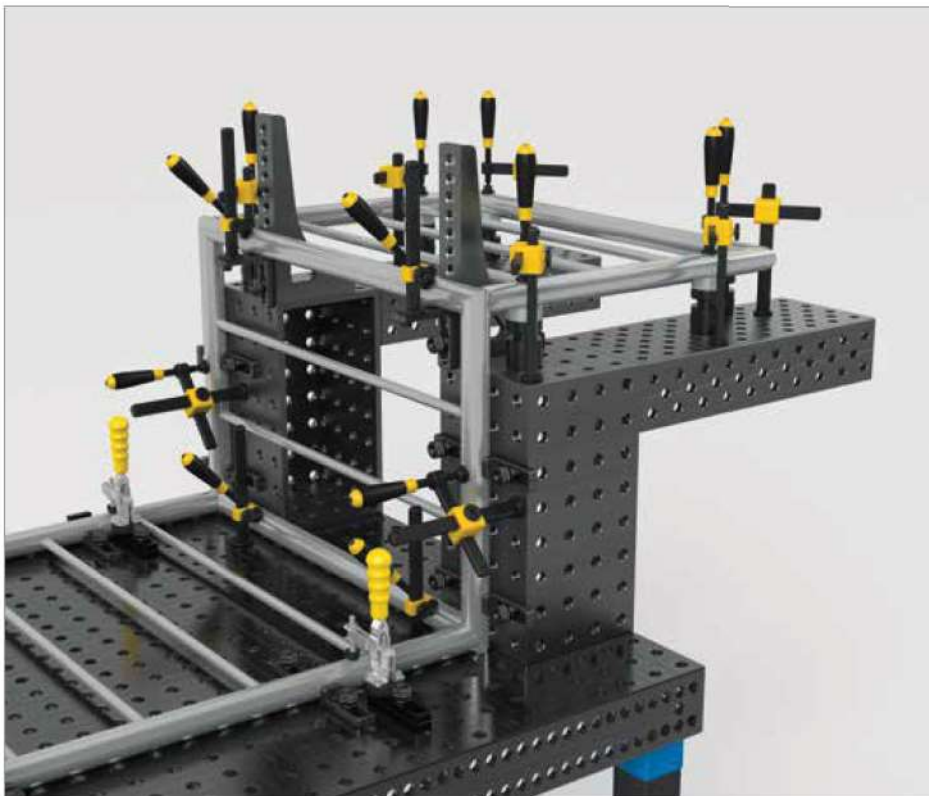
Clamping Block

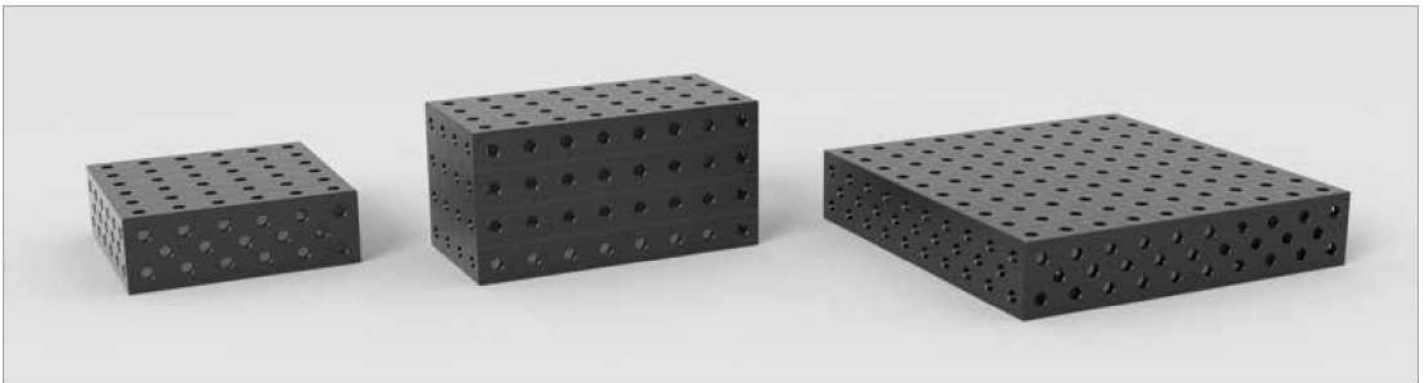
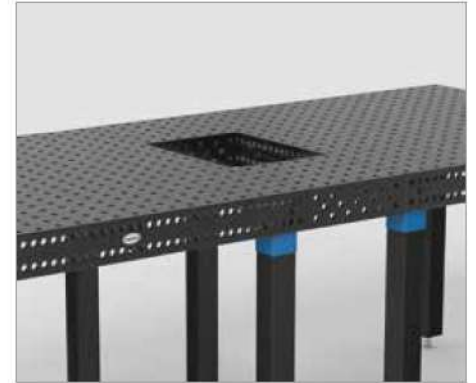


Description:

Clamping Block, suitable as a table extension for vertical superstructures, as well as a connection of two welding tables. Individual table sizes can be achieved by connecting several clamping blocks using Connecting Bolts (Item No. 160560).

The combination of the horizontal / vertical hole arrangement at the top and a diagonal hole arrangement on the sides, enables a multitude of stop- and clamping options.





	Length: (a)	Width: (b)	Height: (c)	MS: (d)	Weight:	Plasma nitrided
Clamping Block 300x300x100 - five-sided - Plasma nitrided	300 mm	300 mm	100 mm	12 mm	approx. 16 kg	2-160280.P ●
Clamping Block 400x200x200 - five-sided - Plasma nitrided	400 mm	200 mm	200 mm	12 mm	approx. 25 kg	2-160272.P ●
Clamping Block 500x500x100 - five-sided - Plasma nitrided	500 mm	500 mm	100 mm	12 mm	approx. 40 kg	2-160290.P ●
Additional sizes upon request						○

MS=Material thickness;

● = Stock item / ○ = Item is made to order

Square U-Shape 100/100

Description:

Square U-Shape 100/100, ideally suited as a table extension, for vertical setups, as well as a sturdy connection between two welding tables. The Square is firmly bolted to the table with Connecting Bolts (Item No. 160560).

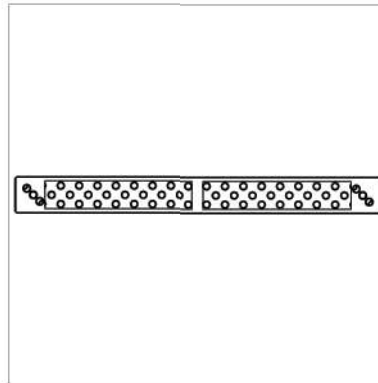
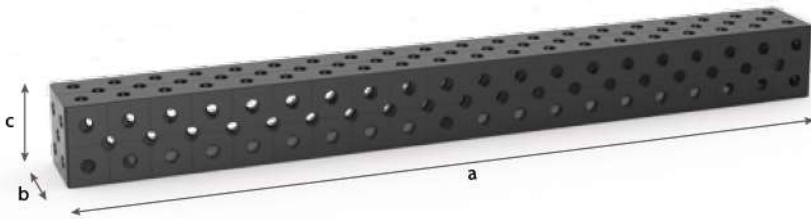
If the Square is used as a table extension exceeding 1,000 mm, it has to be supported by a table leg.

A multitude of clamping- and combination options with other squares and stops are facilitated by the five-sided bore holes and the optional diagonal hole arrangement.

50x50 mm grid simplifies orientation.

We reserve the right to modify the chamfer design to the new chamfer design.

Please find pictures for every product size at www.siegmund.com.

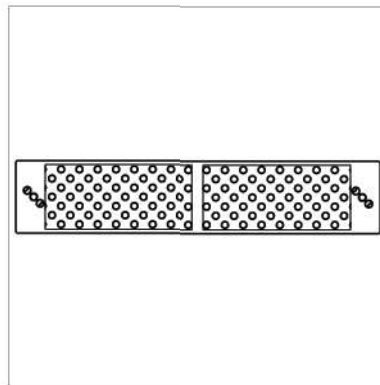
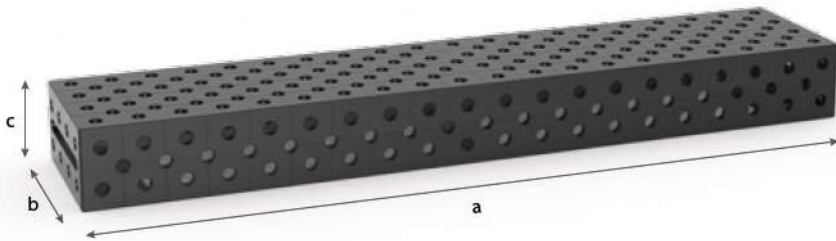




	Length: (a)	Width: (b)	Height: (c)	Weight:	Plasma nitrided
Square U-Shape 100x100x100 Plasma nitrided	100 mm	100 mm	100 mm	approx. 3 kg	2-160396.P ●
Square U-Shape 500x100x100 Plasma nitrided	500 mm	100 mm	100 mm	approx. 13 kg	2-160360.P ●
Square U-Shape 1000x100x100 Plasma nitrided	1000 mm	100 mm	100 mm	approx. 25 kg	2-160370.P ●
Square U-Shape 1500x100x100 Plasma nitrided	1500 mm	100 mm	100 mm	approx. 36 kg	2-160380.P ●
Square U-Shape 2000x100x100 Plasma nitrided	2000 mm	100 mm	100 mm	approx. 47 kg	2-160390.P ●

● = Stock item / ○ = Item is made to order

Square U-Shape 200/100



Description:

Square U-Shape 200/100 (sides 200 mm), perfectly suited as a table extension, for vertical setups, as well as a sturdy connection between two welding tables. The Square is firmly screwed to the table with Connecting Bolts (Item No. 160560).

If the Square is used as a table extension exceeding 1,000 mm, it has to be supported by a table leg.

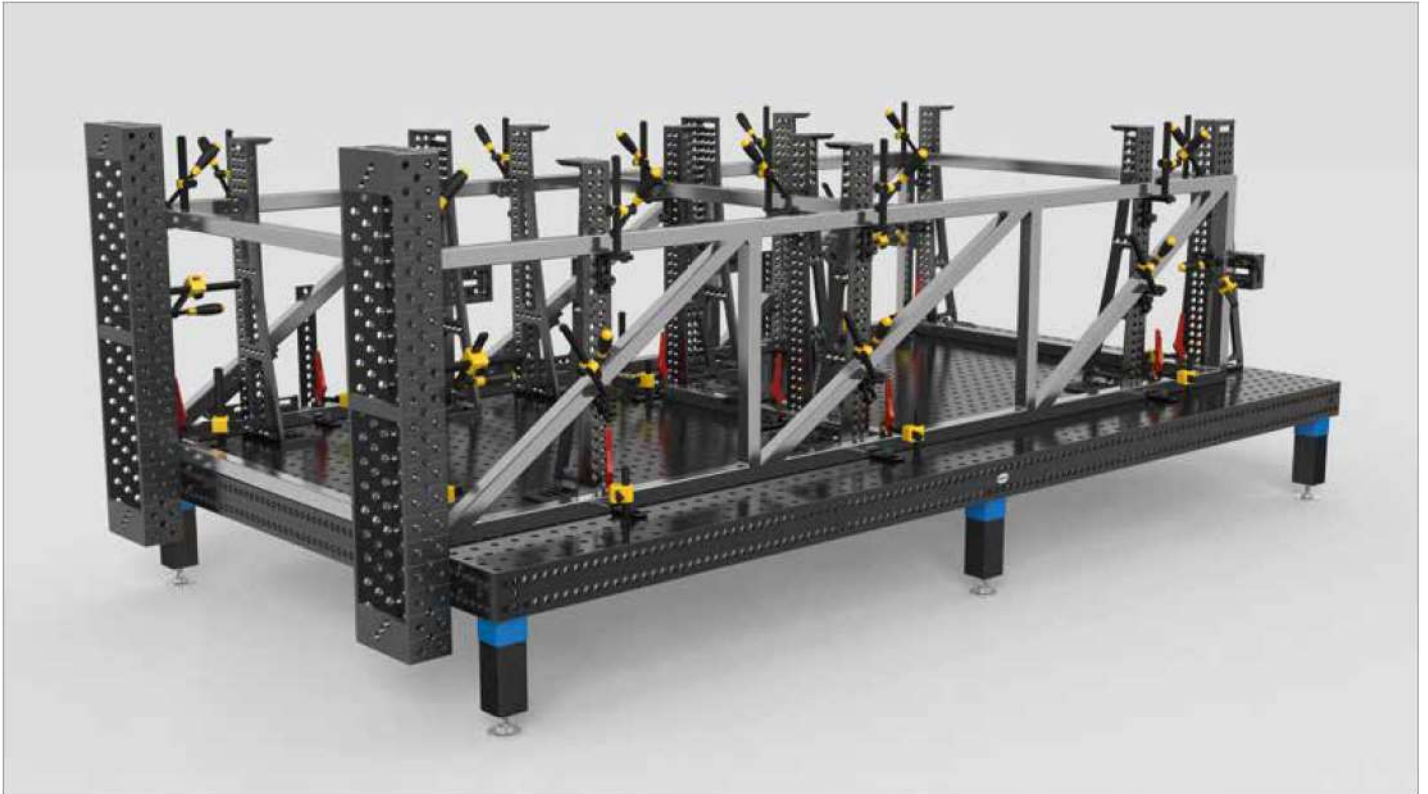
A multitude of clamping- and combination options with other squares and stops are facilitated by the five-sided bore holes and the optional diagonal hole arrangement.

50x50 mm grid simplifies orientation.

We reserve the right to modify the chamfer design to the new chamfer design.

Please find pictures for every product size at www.siegmund.com.





	Length: (a)	Width: (b)	Height: (c)	Weight:	Plasma nitrided
Square U-Shape 200x100x100 Plasma nitrided	100 mm	200 mm	100 mm	approx. 6 kg	2-160396.1.P ●
Square U-Shape 500x200x100 Plasma nitrided	500 mm	200 mm	100 mm	approx. 17 kg	2-160360.1.P ●
Square U-Shape 1000x200x100 Plasma nitrided	1000 mm	200 mm	100 mm	approx. 35 kg	2-160370.1.P ●
Square U-Shape 1500x200x100 Plasma nitrided	1500 mm	200 mm	100 mm	approx. 50 kg	2-160380.1.P ●
Square U-Shape 2000x200x100 Plasma nitrided	2000 mm	200 mm	100 mm	approx. 66 kg	2-160390.1.P ●

● = Stock item / ○ = Item is made to order

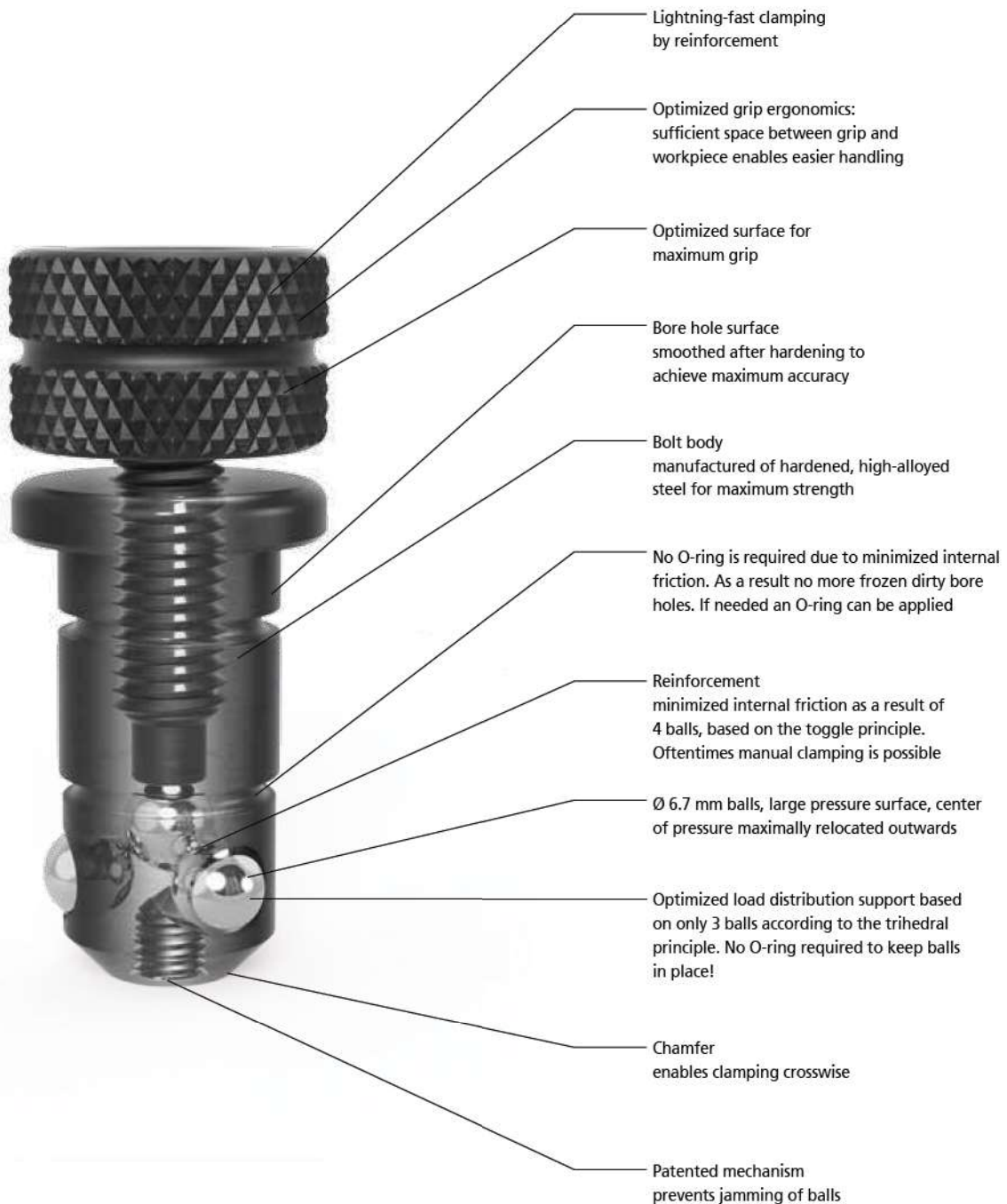


	Page
Bolts	546
Fast Clamping Bolt / Universal Bolt	548
Fast Clamping Bolt, flat / Flush Mount Bolt	550
Positioning Bolt / Connecting Bolt	552
Spare parts Bolt	554
Magnetic Clamping Bolt	556



Lightning-fast and optimized

DUE TO ITS WELL-ENGINEERED MECHANISM IT CAN BE FIXED AND RELEASED BY HAND WITHIN SECONDS.





TIGHTENING TORQUE (AM)

The tightening torque is the force required to fasten the bolt using a torque wrench. In order to achieve maximum clamping force, the tightening torque should not exceed the recommended guideline.

The bolt was designed to only require a low torque to reach maximum clamping force, thereby enabling simple manual clamping.

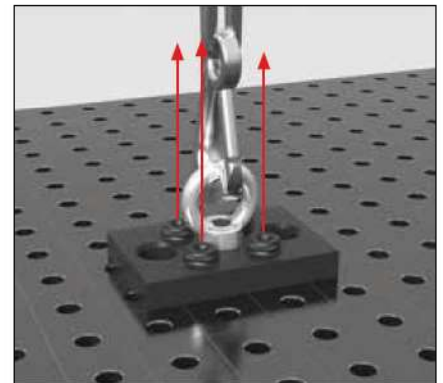
Max. AM of 160510: ≤ 10 Nm



SHEARING FORCE (SK)

The shearing force is the force which reacts laterally to the cross-sectional area of the bolt.

Max. SK of 160510: ≤ 55 kN



TENSILE FORCE (ZK)

The tensile force is the force created when pulling on fixed bolts.

Max. ZK of 160510 ≤ 10 kN

You can also
find the product
video on:

[www.siegmund.com/
V160510](http://www.siegmund.com/V160510)



Fast Clamping Bolt



160510



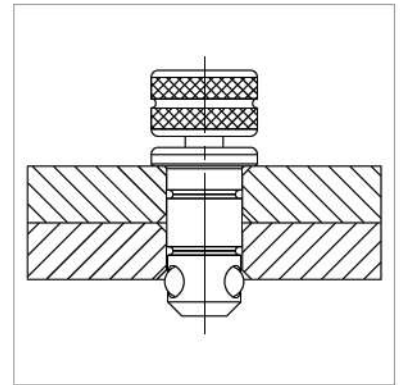
160512



Description:

Burnished Fast Clamping Bolt with twistlock, perfect connecting element between Siegmund components. It features especially large balls, which protect the bevel of the bore holes as a result of low surface pressure. The fourth ball located in the center, reduces internal friction and strengthens the power of the handwheel. The new design of the bolt is not equipped with O-rings, but it still is easy to clean.

This Bolt is NOT approved for combining tables and U-shaped squares!



	Ø: (o)	Weight:	SK:	AM:	ZK:	Item No.
Fast Clamping Bolt short - for clamping 2 components - Burnished - with screw top	16 mm	0,08 kg	55,00 kN	10,00 Nm	10,00 kN	2-160510 ●
Fast Clamping Bolt long - for clamping 3 components - Burnished - with screw top	16 mm	0,10 kg	55,00 kN	10,00 Nm	10,00 kN	2-160512 ●

SK=Shearing Force; AM=Tightening Torque; ZK=Tensile Force;

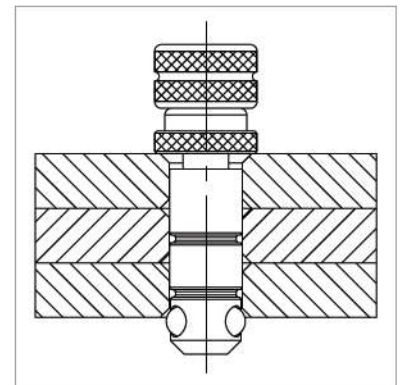
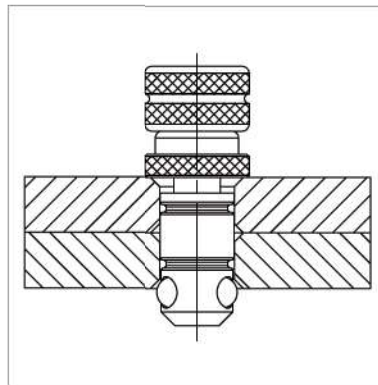
● = Stock item / ○ = Item is made to order

Universal Bolt



160532

160533



Description:

Burnished Universal Bolt, perfect connection element for Siegmund elements. It is used when elements of different material thickness are being interconnected. The clamping range of the short Universal Bolt is 22 to 28 mm. The long Universal Bolt has a clamping range of 34 to 40 mm. The large balls shift the center of pressure towards the outside, and prevent a displacement of the material due to low surface pressure, when there are high clamping forces in the direction of the bore hole.

The Universal Bolt is clamped with the integrated handwheel or with an Allen Key 6 (Item No. 160852).

This Bolt is NOT approved for combining tables and U-shaped squares!

	Ø: (o)	Weight:	SK:	AM:	ZK:	Item No.
Universal Bolt short - for clamping 2 components - Burnished	16 mm	0,11 kg	50,00 kN	10,00 Nm	10,00 kN	2-160532 ●
Universal Bolt long - for clamping 3 components - Burnished	16 mm	0,12 kg	50,00 kN	10,00 Nm	10,00 kN	2-160533 ●

SK=Shearing Force; AM=Tightening Torque; ZK=Tensile Force;

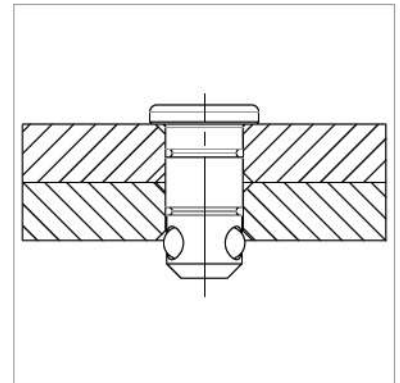
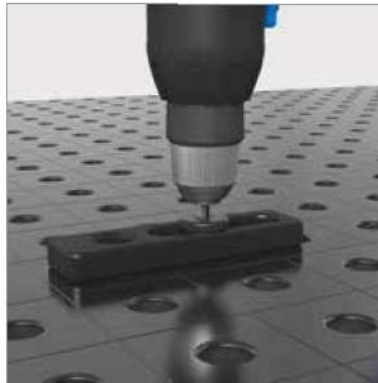
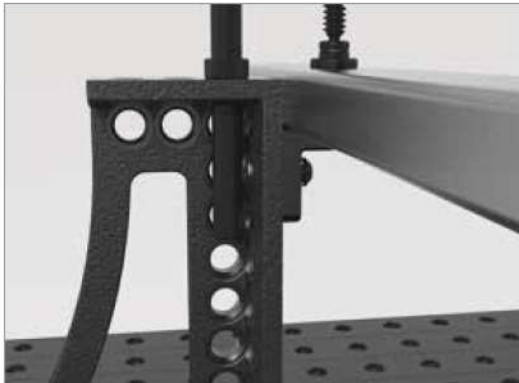
● = Stock item / ○ = Item is made to order

Fast Clamping Bolt, flat



160522

160523



Description:

Flat Burnished Clamping Bolt, mainly used for clamping of oblong holes. Like the countersunk bolt, it reduces protrusion.

This Bolt is NOT approved for combining tables and U-shaped squares!

	Length: (a)	Ø: (o)	Weight:	SK:	AM:	ZK:	Item No.
Fast Clamping Bolt, flat short - for clamping 2 components - Burnished	36 mm	16 mm	0,05 kg	55,00 kN	10,00 Nm	10,00 kN	2-160522 ●
Fast Clamping Bolt, flat long - for clamping 3 components - Burnished	48 mm	16 mm	0,08 kg	55,00 kN	10,00 Nm	10,00 kN	2-160523 ●
Setscrew for 160522 - pack of 10							2-169085 ●
Setscrew for 160523 - pack of 10							2-169075 ●

SK=Shearing Force; AM=Tightening Torque; ZK=Tensile Force;

● = Stock item / ○ = Item is made to order

Flush Mount Bolt

Description:

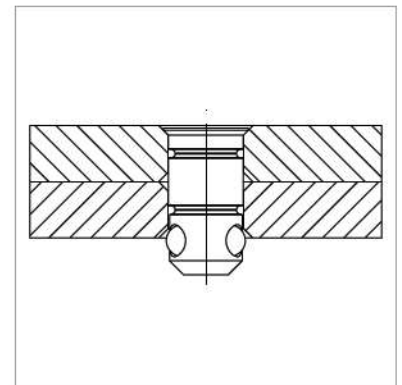
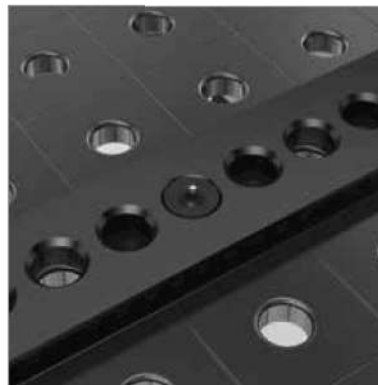
Flush Mount Bolt, used as a hidden connection between Siegmund components. Its design matches the other clamping bolts with four balls. Its head disappears into the bore hole to create a flush surface with the clamped part. The Flush Mount Bolt is not suitable for placement in oblong slots.

This Bolt is NOT approved for combining tables and U-shaped squares!



160528

160529



	Length: (a)	Ø: (o)	Weight:	SK:	AM:	ZK:	Item No.
Flush Mount Bolt short - for clamping 2 components - Burnished	31 mm	16 mm	0,04 kg	55,00 kN	10,00 Nm	3,00 kN	2-160528 ●
Flush Mount Bolt long - for clamping 3 components - Burnished	43 mm	16 mm	0,05 kg	55,00 kN	10,00 Nm	3,00 kN	2-160529 ●

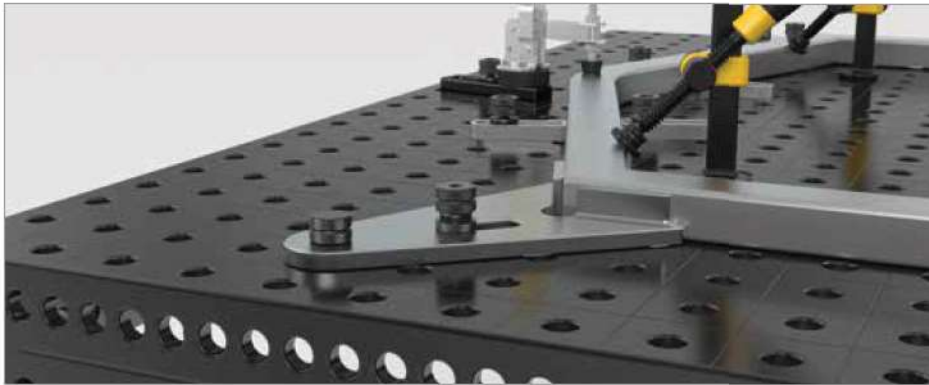
SK=Shearing Force; AM=Tightening Torque; ZK=Tensile Force;

● = Stock item / ○ = Item is made to order

Positioning Bolt



160540



Description:

Positioning Bolt, serves as an adjustment tool for squares that only require a clamping bolt for fastening, in order to cost-effectively substitute for a second clamping bolt. In addition, various squares can be formed by spading, e.g. 90° or 45°.

This picture shows an application example of a customer generated template.

This Bolt is NOT approved for combining tables and U-shaped squares!



Positioning Bolt
- Burnished

Ø: (o)	Weight:	Item No.
16 mm	0,07 kg	2-160540 ●

● = Stock item / ○ = Item is made to order

Connecting Bolt

Description:

Burnished Connecting Bolt, especially designed as a fixed long-term connection of large Siegmund Elements, e.g. tables or U-shaped squares.

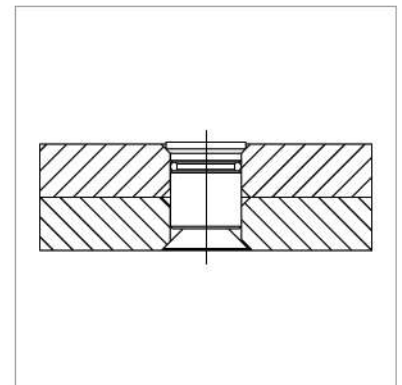
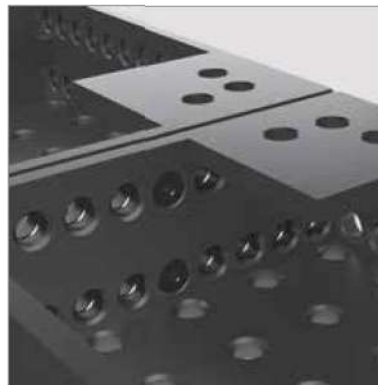
The countersunk Allen Wrench, and the ability of the clamping bolt to center itself, enable easy assembly. The flat head and the flat bolt contain a hexagon socket for clamping.

The connecting bolt provides a sturdy screw connection without protruding, and is perfectly suited for concealed applications. The Connecting Bolt should not be used in oblong slots.



160560

160561



	Ø: (o)	Weight:	SK:	AM:	ZK:	Item No.
Connecting Bolt short - for connecting 2 components - with Allen key	16 mm	0,03 kg	50,00 kN	15,00 Nm	4,00 kN	2-160560 ●
Connecting Bolt long - for connecting 3 components - with Allen key	16 mm	0,05 kg	50,00 kN	15,00 Nm	4,00 kN	2-160561 ●

SK=Shearing Force; AM=Tightening Torque; ZK=Tensile Force;

● = Stock item / ○ = Item is made to order

Spare Parts for Bolts

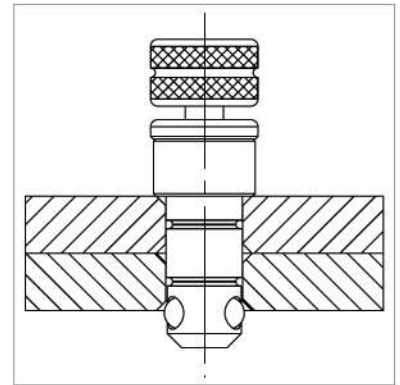
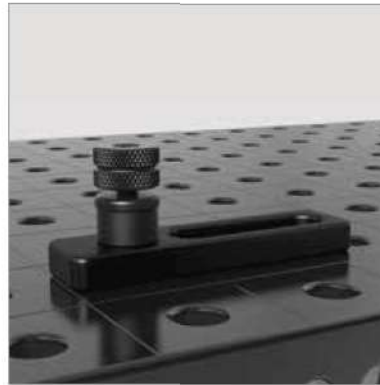
Description:

Spacer Sleeve, especially developed for applications that require space between two clamping elements. For example, it enables using a long clamping bolt instead of a short one.



160539

169103



	Height: (c)	Ø: (o)	Weight:	Item No.
Spacer Sleeve - Burnished	12 mm	21 mm	0,02 kg	2-160539 ●
Spare Parts for Bolts - 10x 169008, 10x 169009, 5x 169074			0,02 kg	2-169103 ●

● = Stock item / ○ = Item is made to order



Magnetic Clamping Bolt



160740



160740.1



160740.2

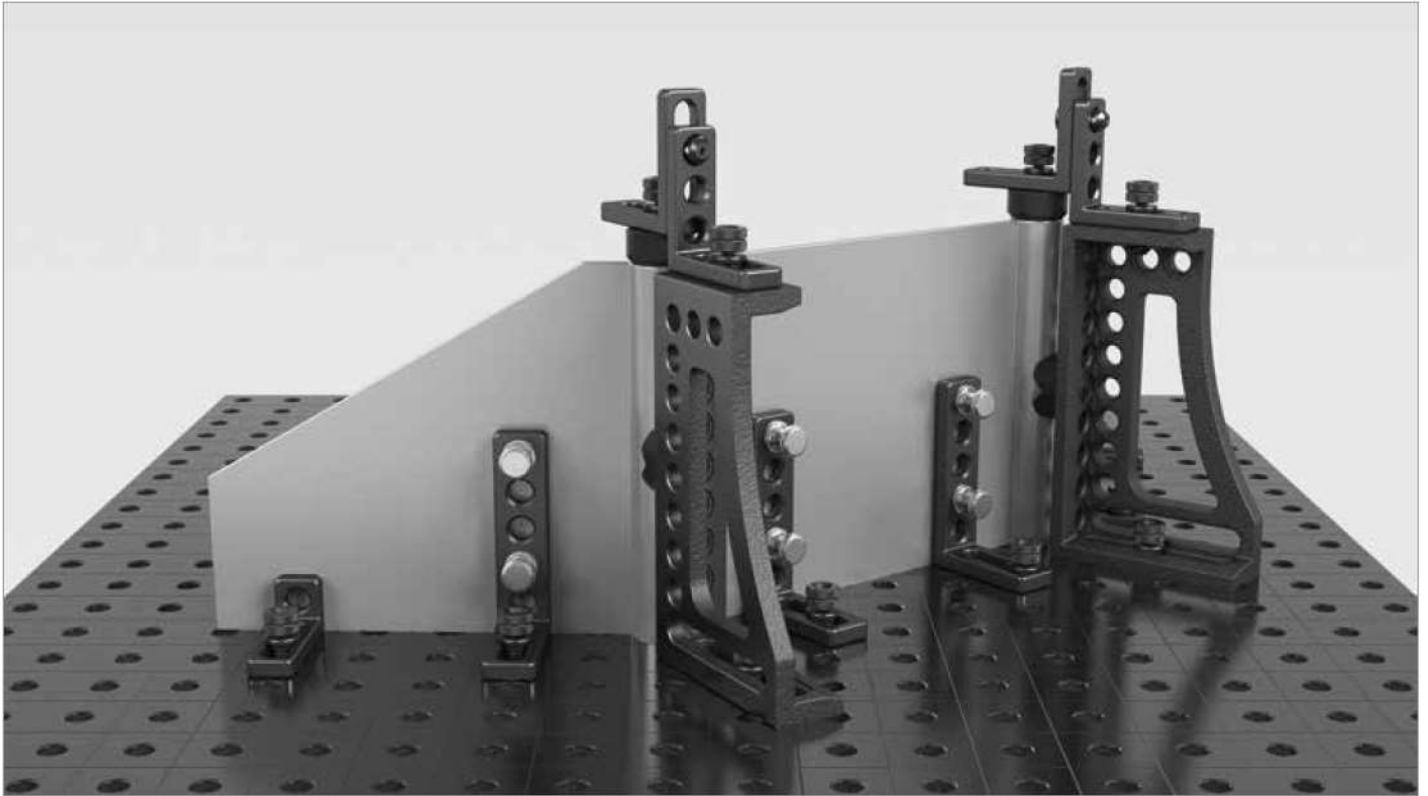


160539

Description:

Magnetical Clamping Bolt, enables fast clamping without bolting or the use of tools. It is preferable for pressure-sensitive parts like thin sheet metal, as well as elements that cannot be resisted, e.g. enclosed sheet metal housing.





	Height: (c)	Ø: (o)	Weight:	Item No.
Magnetic Clamping Bolt 34 - Length of Shaft 25 mm - Aluminum	34 mm	22 mm	0,02 kg	2-160740 ●
Magnetic Clamping Bolt 46 - Length of Shaft 50 mm - Aluminum	46 mm	22 mm	0,03 kg	2-160740.1 ●
Magnetic Clamping Bolt 58 - Length of Shaft 75 mm - Aluminum	58 mm	22 mm	0,04 kg	2-160740.2 ●
Spacer Sleeve - Burnished	12 mm	21 mm	0,02 kg	2-160539 ●

● = Stock item / ○ = Item is made to order



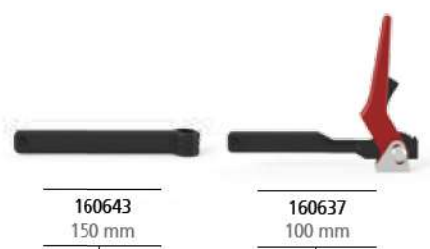
	Page
Clamps	560
Professional Screw Clamp	562
Professional Screw Clamp 45°/90°	564
Professional Fast Tension Clamp	566
Screw Clamp with Round Pipe	568
Basic Pipe Clamp Universal	570
Basic Screw Clamp / Short Arbor	572
Prism for Screw Clamps / Duo Prism Ø 25	574
Pressure Ball for Screw Clamps	576



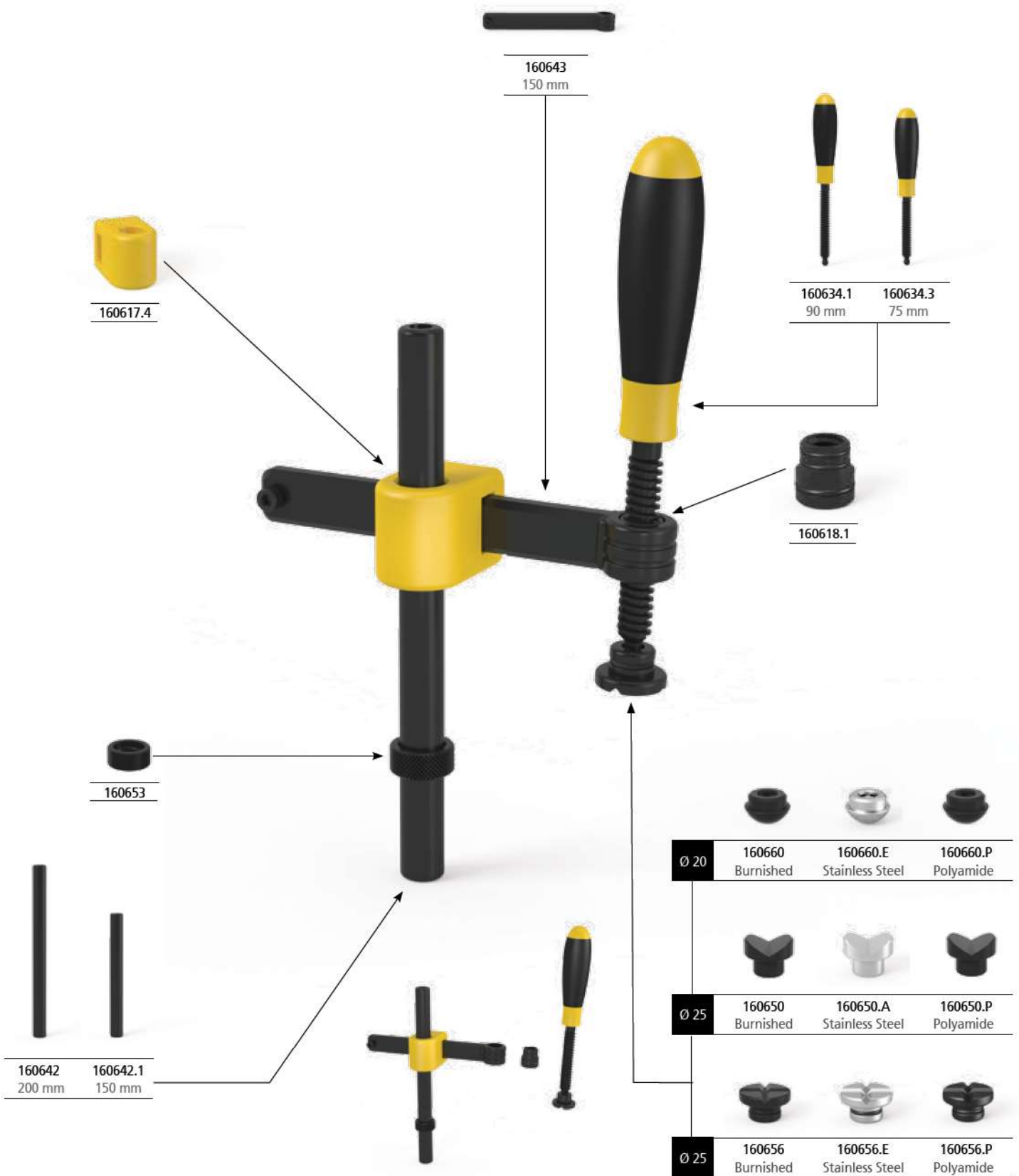
Clamps & Accessories

You can also find the product video on:

www.siegmund.com/V160610



Ø 20			
	160660 Burnished	160660.E Stainless Steel	160660.P Polyamide
	Ø 25		
160650 Burnished		160650.A Stainless Steel	160650.P Polyamide
Ø 25			
	160656 Burnished	160656.E Stainless Steel	160656.P Polyamide



Professional Screw Clamp



Description:

Professional Screw Clamp, enables fast, powerful and exact clamping with a variety of welding elements. Achieve maximum efficiency through time-saving, quick adjustments and effortless disassembly. For individual modification, we offer special lengths of horizontal and vertical bars. The dimensions of the horizontal bar are 20x10 mm. The dimensions of the vertical bar are 20x13 mm, which is additionally reinforced.

To safely fasten every kind of welding element, the prisms are interchangeable. For suitable prisms, see page 574.

A long lifetime and efficiency is guaranteed by the burnished material, as well as the option to order spare parts individually.

With the new handwheel on the cast iron cross, the height can be adjusted within seconds.



160610

Standard model

Professional Screw Clamp

maximum load:

2,5 kN

Weight:

1,20 kg

Item No.

2-160610 ●

● = Stock item / ○ = Item is made to order



160634.3



160643



160632



160618.1



160617

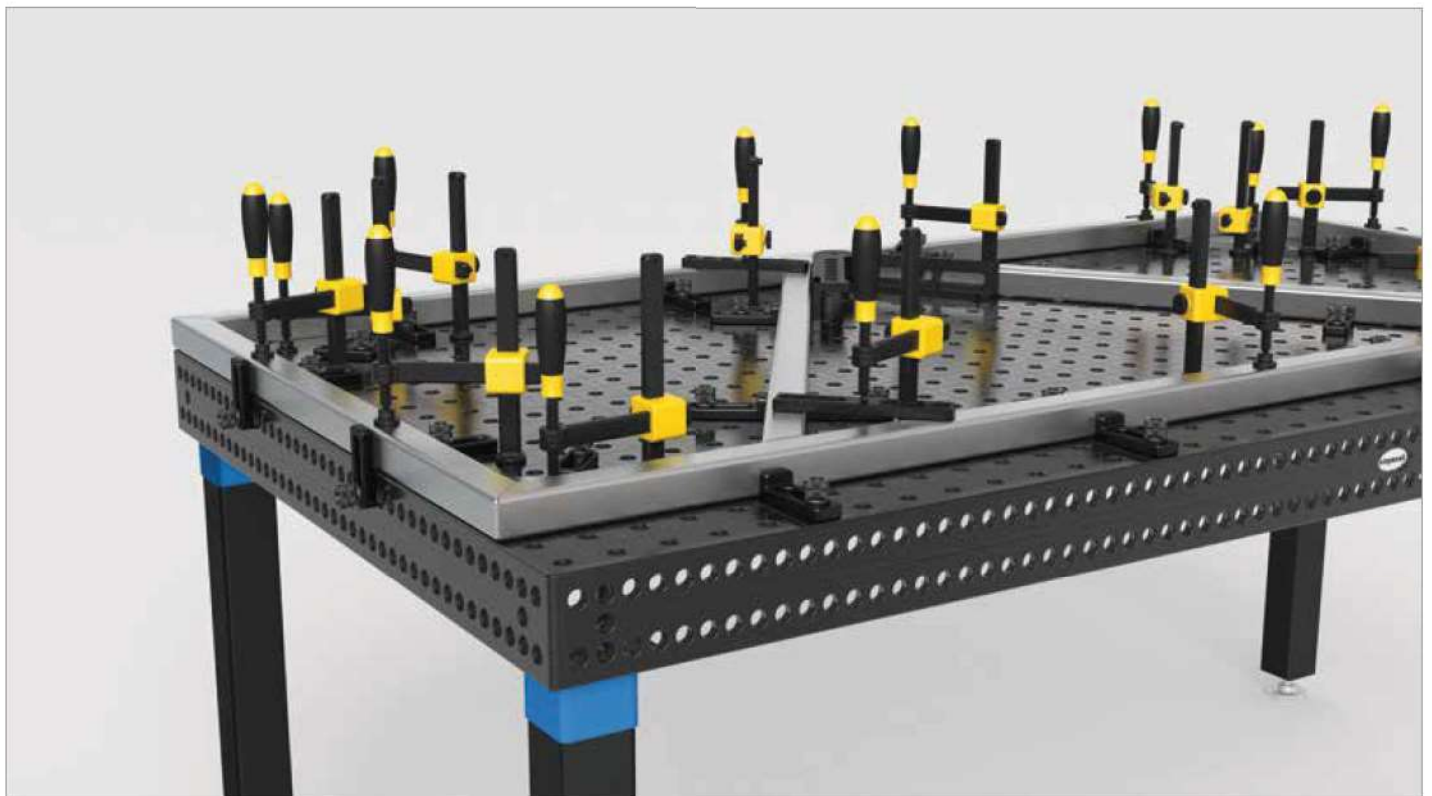


160662

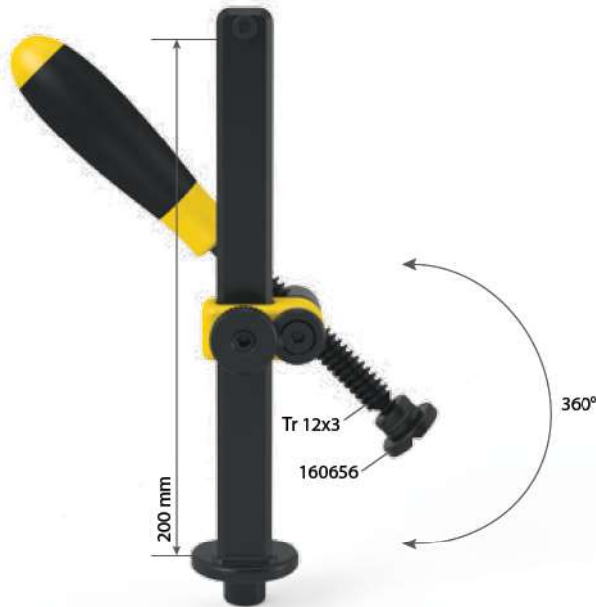
Spare parts, special sizes and parts for a individual configuration

Threaded Arbor 75 - trapezoid thread 12 x 3 mm - for 160610, 160618, 160618.1	75 mm 2-160634.3 ●	90 mm 2-160634.1 ●
Horizontal Bar 150 - for 160610		150 mm 2-160643 ●
Vertical Bar 200 - for 160606, 160610		200 mm 2-160632 ●
Thread Bushing - for 160610 - trapezoid thread for system 16 screw clamp arbor		15 mm 2-160618.1 ●
Cast Iron Cross for 160606, 160610 - without handwheel		42 mm 2-160617 ●
Handwheel for Screw Clamp - for 160606, 160610, 160630		17 mm 2-160662 ●

● = Stock item / ○ = Item is made to order



Professional Screw Clamp 45°/90°



Description:

Professional Screw Clamp 45°/90°, replaces standard screw clamps with 45° or 90°. It sets new standards due to its infinitely variable adjustment range from 0°-360°.

To ensure safe fastening of any welding element, the prisms are interchangeable. For suitable prisms, see page 574.

The dimensions of the appropriate flat bar are 20x13 mm.

The new handwheel on the cast iron cross enables height adjustment within seconds.



160630

Standard model

Professional Screw Clamp 45°/90°

maximum load:

Weight:

Item No.

2,5 kN

0,75 kg

2-160630 ●

● = Stock item / ○ = Item is made to order



160634.1



160633



160617.2



160662



169108



169109

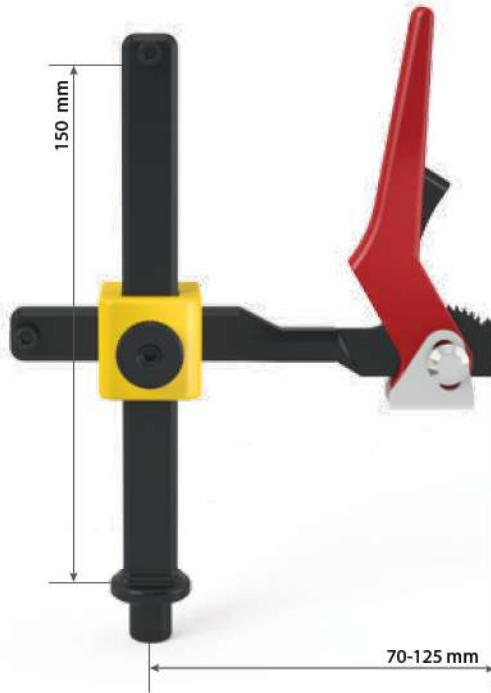
Spare parts, special sizes and parts for a individual configuration

Threaded Arbor 90 - trapezoid thread 12 x 3 mm - for 160630	90 mm 2-160634.1	●
Vertical Bar 200 - for 160630	200 mm 2-160633	●
Cast Iron Cross for 160630 - without handwheel	44 mm 2-160617.2	●
Handwheel for Screw Clamp - for 160606, 160610, 160630	17 mm 2-160662	●
Bushing for Threaded Arbor - spare part for 160630	36 mm 2-169108	●
Disc - spare part for 160630 - with countersunk screw M6x20	10 mm 2-169109	●

● = Stock item / ○ = Item is made to order



Professional Fast Tension Clamp



Description:

Professional Fast Tension Clamp, used to clamp welding parts quickly and powerfully. The force can be individually adjusted with the grating. With the new handwheel on the cast iron cross, it is height-adjustable within seconds. The dimensions of the applied flat irons are 20x10 mm and 20x13 mm. Additionally the vertical bar is reinforced.

The Fast Tension Clamp is recommended only for system 16 plasmanitrated tables.



160606

Standard model

Professional Fast Tension Clamp

maximum load:

Weight:

Item No.

2,5 kN

0,90 kg

2-160606 ●

● = Stock item / ○ = Item is made to order



160637

160632.1

160617

160662

Spare parts, special sizes and parts for a individual configuration
Horizontal Bar with Fast Clamping Function 100
 - for 160606

100 mm

2-160637 ●

Vertical Bar 150
 - for 160606

150 mm

2-160632.1 ●

Cast Iron Cross for 160606, 160610
 - without handwheel

42 mm

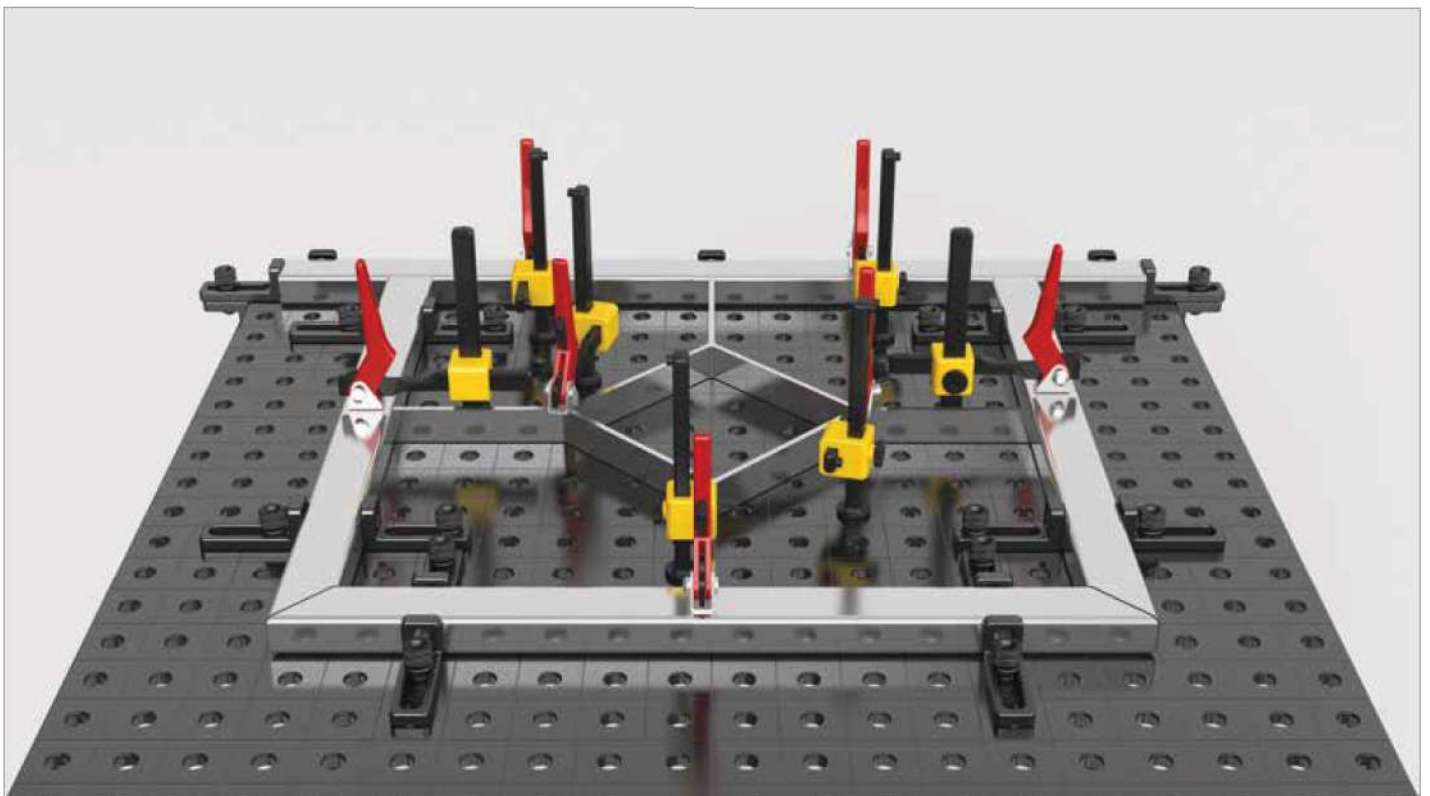
2-160617 ●

Handwheel for Screw Clamp
 - for 160606, 160610, 160630

17 mm

2-160662 ●

● = Stock item / ○ = Item is made to order



Screw Clamp with Round Pipe



Description:

Screw Clamp with Round Pipe is the tool that offers fast, powerful clamping and precise positioning of a variety of work pieces. Time-saving adjustments within seconds and simple dismantling guarantee maximum efficiency. For individual fitting, we offer special sizes of horizontal and vertical bars. In order to safely fasten different welding elements, the prisms are interchangeable. For compatible prisms, see page 574.

A long lifetime and efficiency is guaranteed by the burnished material, as well as the option to order replacement parts individually.



160601

Standard model

Screw Clamp with Round Pipe

maximum load:

1,5 kN

Weight:

1,00 kg

Item No.

2-160601 ●

● = Stock item / ○ = Item is made to order



160634.3



160643



160642



160653



160618.1

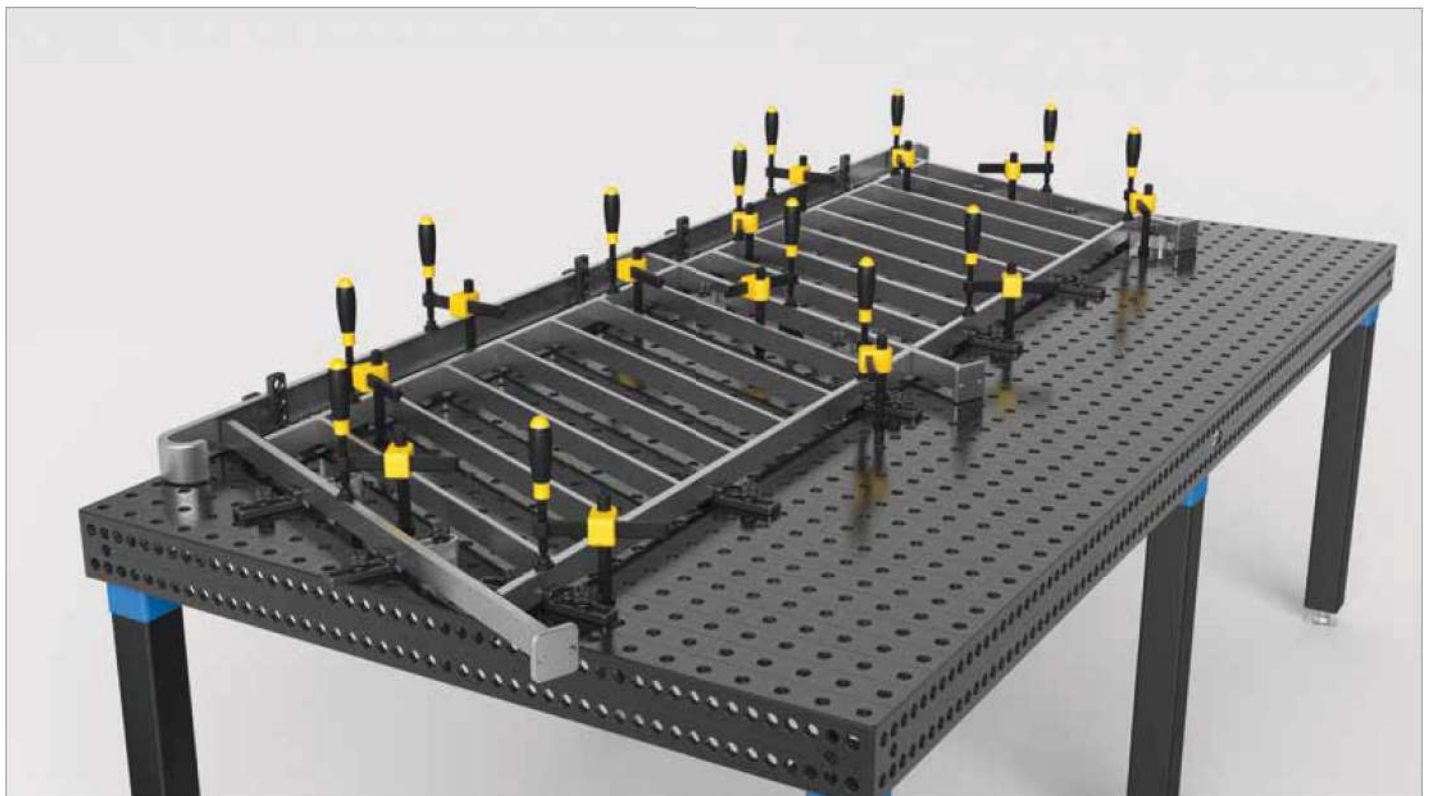


160617.4

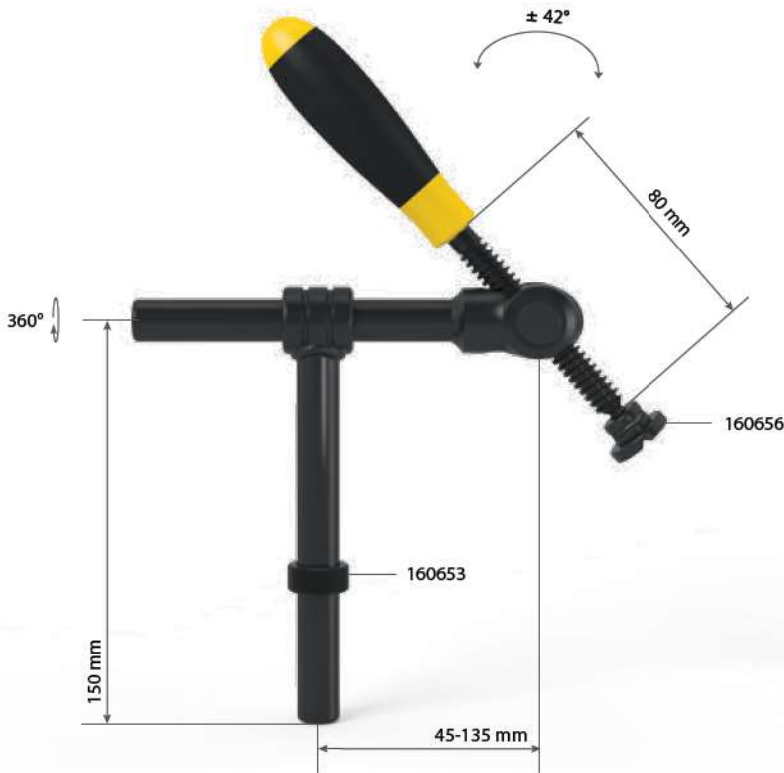
Spare parts, special sizes and parts for a individual configuration

Threaded Arbor 75 - trapezoid thread 12 x 3 mm - for 160610, 160618, 160618.1	75 mm	90 mm
	2-160634.3 ●	2-160634.1 ●
Horizontal Bar 150 - for 160610		150 mm ● 2-160643 ●
Vertical Round Pipe 200 - for 160601		200 mm ● 2-160642 ●
Adjusting Ring		2-160653 ●
Thread Bushing - for 160610 - trapezoid thread for system 16 screw clamp arbor		15 mm ● 2-160618.1 ●
Cast Iron Cross for 160601 - without handwheel		50 mm ● 2-160617.4 ●

● = Stock item / ○ = Item is made to order



Basic Pipe Clamp Universal



Description:

Basic Pipe Clamp Universal, with swiveling Arbor enables flexible clamping at a ± 42 degree angle. This Pipe Clamp combines the advantages of conventional 45° or 90° clamps. It can be used at an angle as well as straight, resulting in additional clamping options and a more variable clamping range.

The horizontal round tube with a length of 150 mm is fully adjustable and creates, combined with the swiveling arbor, a variable clamping range. The length of the vertical pipe is 150 mm. To safely fasten different welding parts, the prisms are interchangeable.

For compatible prisms, see page 574. A long lifetime and efficiency is guaranteed by the burnished material, as well as the option to order replacement parts individually.

To integrate the vertical pipe into the system bore holes, an adjusting ring is used (Item No. 160653).



160604



160604.S

Standard model

Basic Pipe Clamp Universal

maximum load:

1,5 kN

Weight:

0,80 kg

Item No.

2-160604 ●

Basic Pipe Clamp Universal special size

2-160604.S ○

● = Stock item / ○ = Item is made to order



160634.1



160678



160677



160679



160653

Spare parts, special sizes and parts for a individual configuration

Threaded Arbor 75 - trapezoid thread 12 x 3 mm - for 160610, 160618, 160618.1	75 mm 2-160634.3	90 mm 2-160634.1
Horizontal Round Pipe 150 for 160604 - standard = 150	150 mm 2-160678	special size 2-160678.5
Vertical Round Pipe 150 for 160604 - standard = 150 - can also be used as a horizontal brace.	150 mm 2-160677	special size 2-160677.5
Arbor Thread - spare part for 160604		28 mm 2-160679
Adjusting Ring		2-160653

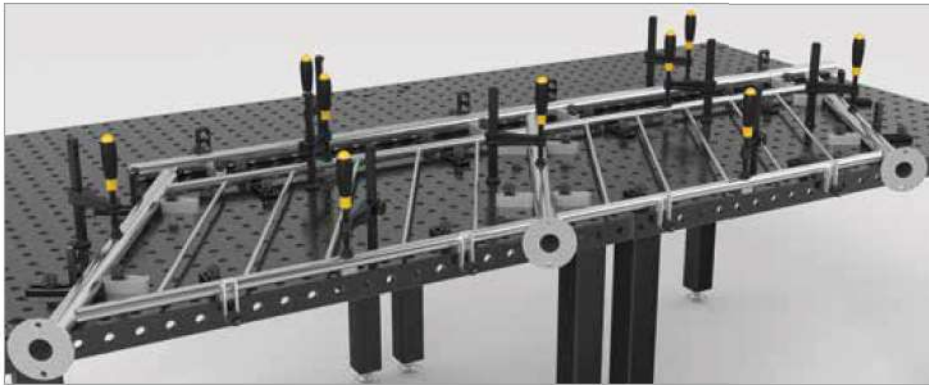
● = Stock item / ○ = Item is made to order



Basic Screw Clamp



160620



Description:

Basic Screw Clamp, serves as a simple and sturdy clamping element. The distance between the Screw Clamp and the welding element is adjustable by rotation. By simply changing the prisms, different materials can be fastened.

For compatible prisms see page 574.

Basic Screw Clamp - Burnished

maximum load	Length: (a)	Width: (b)	Weight:	Item No.
2,5 kN	200 mm	100 mm	0,95 kg	2-160620 ●

● = Stock item / ○ = Item is made to order

Short Arbor

Description:

Short Arbor with Bushing and Prism, perfect for clamping workpieces, using squares or other Siegmund components. The Short Arbor was designed to enable fastening a workpiece through a 16 mm bore hole. The Short Arbor can be adjusted with an open-end wrench or an allen key.



160666

160618



	Height: (c)	Ø: (o)	Weight:	Item No.
Short Arbor with Bushing and Prism				
- Burnished				
- trapezoid thread 12 x 3 mm	75 mm		0,10 kg	2-160666 ●
Thread Bushing				
- Burnished				
- trapezoid thread 12 x 3 mm	10 mm	19 mm	0,01 kg	2-160618 ●

● = Stock item / ○ = Item is made to order

Prism for Screw Clamps



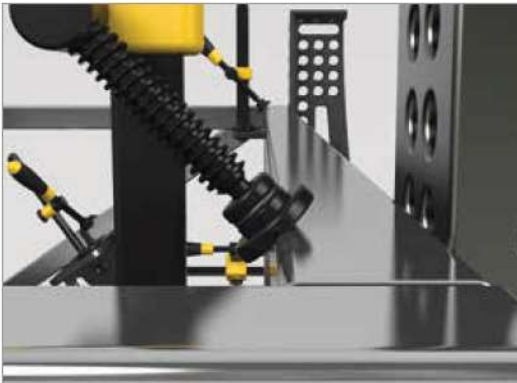
160656



160656.E



160656.P



Description:

Prism for Screw Clamps, suitable for clamping of round and square pipes. Due to its location at the ball head of the threaded arbor, the prism is movable and can therefore be fixed precisely on the workpiece. It is replaced by simply taking it off the ball head.

The Prism is available in various material finishes.

The Polyamid Prism is used for scratch-prone surfaces.

The Stainless Steel Prism is used for scratch-resistant precious metals (rust prevention).

	Height: (c)	Ø: (o)	Weight:	Item No.
Prism for Screw Clamps - for 160610, 160630, 160620 - Burnished - trapezoid thread 12 x 3 mm	13 mm	25 mm	0,02 kg	2-160656 ●
Prism for Screw Clamps - for 160610, 160630, 160620 - Stainless Steel - trapezoid thread 12 x 3 mm	13 mm	25 mm	0,02 kg	2-160656.E ●
Prism for Screw Clamps - for 160610, 160630, 160620 - Polyamide - trapezoid thread 12 x 3 mm	13 mm	25 mm	0,01 kg	2-160656.P ●

● = Stock item / ○ = Item is made to order

Duo Prism Ø 25 for Screw Clamps

Description:

Duo Prism - due to its dual function compatible with all 16 mm bore holes and screw clamps. The O-ring provides precise fixing and fitting accuracy. The 120° angle creates a stable support surface for all round pipes. The Prism can also be used for flat welding assemblies, due to its leveled corners.

The Polyamid Prism is used for scratch-prone surfaces.



160650



160650.P



160650.A



	Height: (c)	Ø: (o)	Weight:	Item No.
Duo Prism Ø 25 - Burnished	19 mm	25 mm	0,04 kg	2-160650 ●
Duo Prism Ø 25 - Polyamide	19 mm	25 mm	0,01 kg	2-160650.P ●
Duo Prism Ø 25 - Aluminum	19 mm	25 mm	0,01 kg	2-160650.A ●

● = Stock item / ○ = Item is made to order

Pressure Ball for Screw Clamps



160660



160660.E



160660.P



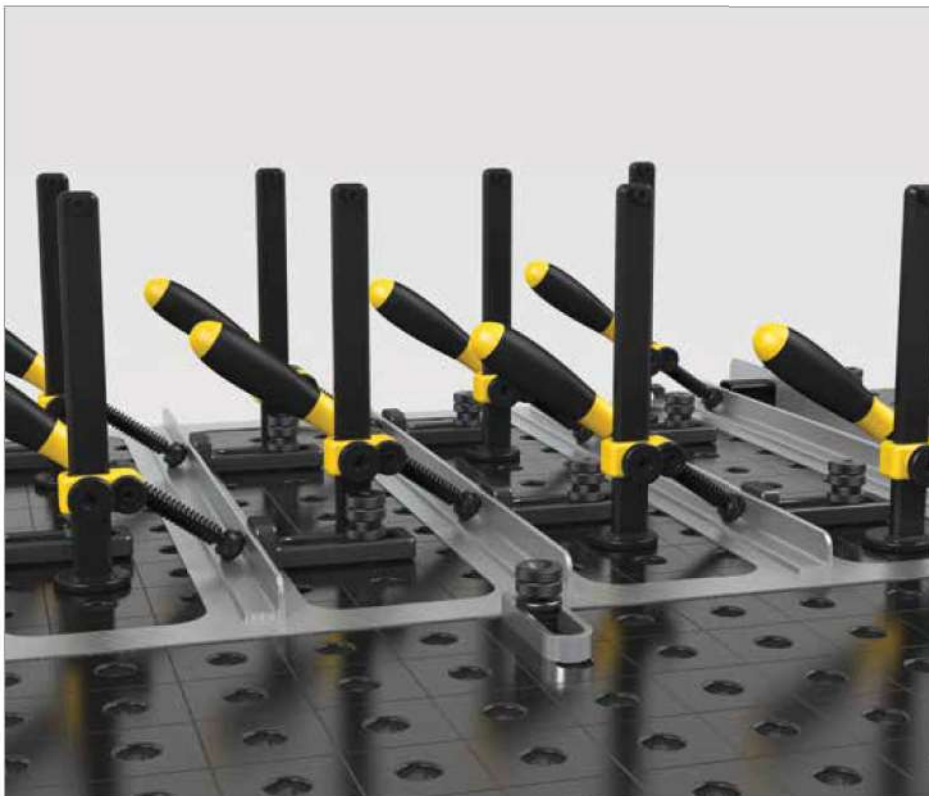
160661

Description:

Pressure Ball for screw clamps, especially designed for clamping in corners or grooves. Due to its location at the ball head of the threaded arbor, the prism is movable, and can therefore be precisely mounted to the work piece.

It can be replaced by simply removing it from the ball head.

The Pressure Ball is available in various materials. The polyamide Pressure Ball is used for scratch-prone surfaces. The stainless steel Pressure Ball is used for scratch-resistant metals (rust prevention).





	Height: (c)	Ø: (o)	Weight:	Item No.
Pressure Ball for Screw Clamps - for 160610, 160630 - Burnished - trapezoid thread 12 x 3 mm	13 mm	20 mm	0,02 kg	2-160660 ●
Pressure Ball for Screw Clamps - for 160610, 160630 - Stainless Steel - trapezoid thread 12 x 3 mm	13 mm	20 mm	0,02 kg	2-160660.E ●
Pressure Ball for Screw Clamps - for 160610, 160630 - Polyamide - trapezoid thread 12 x 3 mm	13 mm	20 mm	0,01 kg	2-160660.P ●
Pressure Ball Blank for Screw Clamps - for 160610, 160630 - Burnished - trapezoid thread 12 x 3 mm - according to customer specifications	25 mm	25 mm	0,07 kg	2-160661 ●

● = Stock item / ○ = Item is made to order



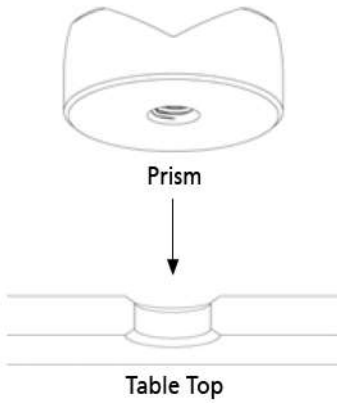
	Page
Prisms	580
Vario Prism Ø 50 / Prism Ø 80	582
Prism Extension / Screw Support	584
Set of Supports 7 pieces / Clamping Cone	586



Prisms & Supports

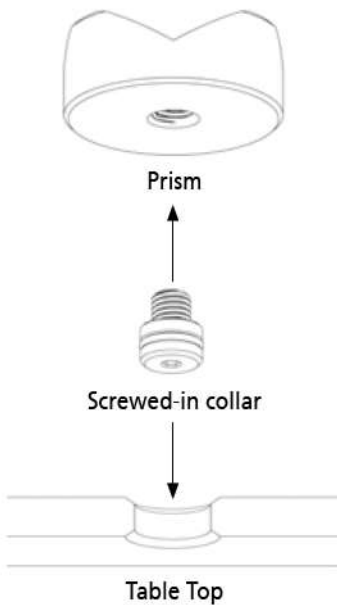
All System 16 Prisms are equipped with a removable screwed-in collar.

Included in delivery of each Prism is a screwed-in collar and a countersunk bolt.



Special screw

OR ALTERNATIVELY:



VARIO PRISM Ø 50 90° / 120°

Page 582

STYLES

Burnished
Aluminum
Polyamide



PRISM Ø 80 120°

Page 583

STYLES

Burnished
Aluminum
Polyamide

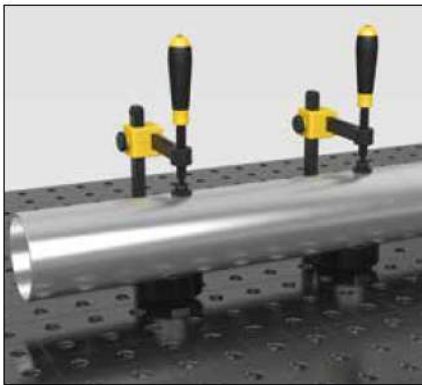


PRISM EXTENSION

Page 584

It can be quickly and securely screwed into all Prisms.





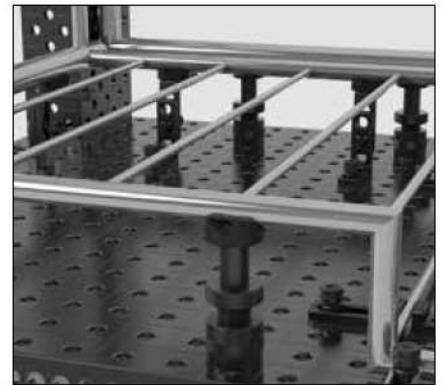
WITH COLLAR IN BORE HOLE

The prism with collar is universally applicable for all system 16 boreholes, and offers a sturdy support surface for pipes.



WITHOUT COLLAR ON TABLE

All System 16 Prisms can be used without collar. Consequently they can be positioned on the table independently from the hole grid.



WITH PRISM EXTENSION

If required, a prism extension can be screwed in. It enables positioning at different heights, in combination with spacer washers and support discs. In combination with the screw support infinitely variable positioning is possible.

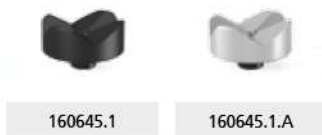
See Set of Supports (Item No. 160821) or Screw Support (Item No. 160822).

You can also
find the product
video on:

[www.siegmund/
V160645](http://www.siegmund/V160645)



Vario Prism Ø 50 90°/120° with screwed-in collar

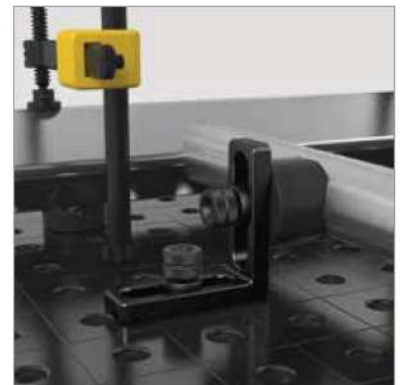


Description:

Vario Prism Ø 50, suitable for both rounded and 45° twisted square pipes with a diameter up to 80 mm, due to its 90° and 120° angles. In addition, the prism can be universally used for all 16 mm bore holes.

The prism with screwed-in collar can be fastened in the bore holes. For free positioning of the prism independent of the hole grid you can easily unscrew the collar from the prism. If necessary, the working height of the prism can be varied by a prism extension.

Polyamid Prisms are used for scratch-prone surfaces.

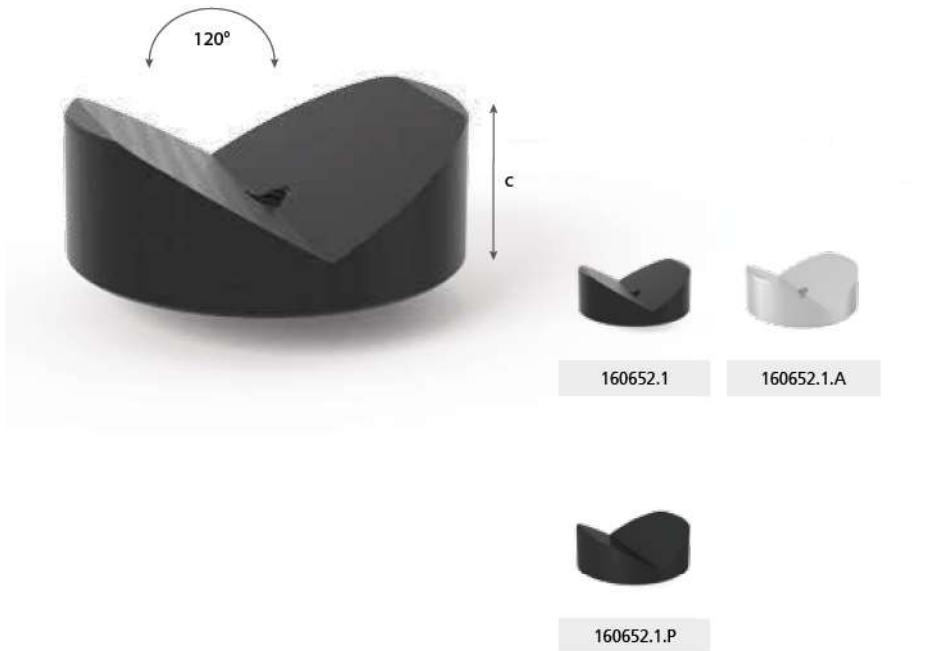


	Height: (c)	Ø: (o)	Weight:	Item No.
Vario Prism Ø 50 90°/120° with screwed-in collar - Burnished - M10 thread for example prism extensions Item No. 160649	20 mm	50 mm	0,21 kg	2-160645.1 ●
Vario Prism Ø 50 90°/120° with screwed-in collar - Aluminum - M10 thread for example prism extensions Item No. 160649	20 mm	50 mm	0,07 kg	2-160645.1.A ●
Vario Prism Ø 50 90°/120° with screwed-in collar - Polyamide - M10 thread for example prism extensions Item No. 160649	20 mm	50 mm	0,03 kg	2-160645.1.P ●
Vario Prism Ø 50 90°/120° without collar - Burnished - Prism can be fastened with bolts	35 mm	50 mm	0,39 kg	2-160641 ●

● = Stock item / ○ = Item is made to order

Steel Collar - upon request also available in aluminum or polyamide.

Prism Ø 80 120° with screwed-in collar



Description:

Prism Ø 80 with 120° angle, suitable for pipes with a diameter of up to 120 mm. The Prism creates a stable surface especially for round pipes and can be used for all 16 mm bore holes.

The prism with screwed-in collar can be fastened in the bore holes. For free positioning of the prism independent of the hole grid you can easily unscrew the collar from the prism. If necessary, the working height of the prism can be varied by a prism extension.

Polyamid Prisms are used for scratch-prone surfaces.

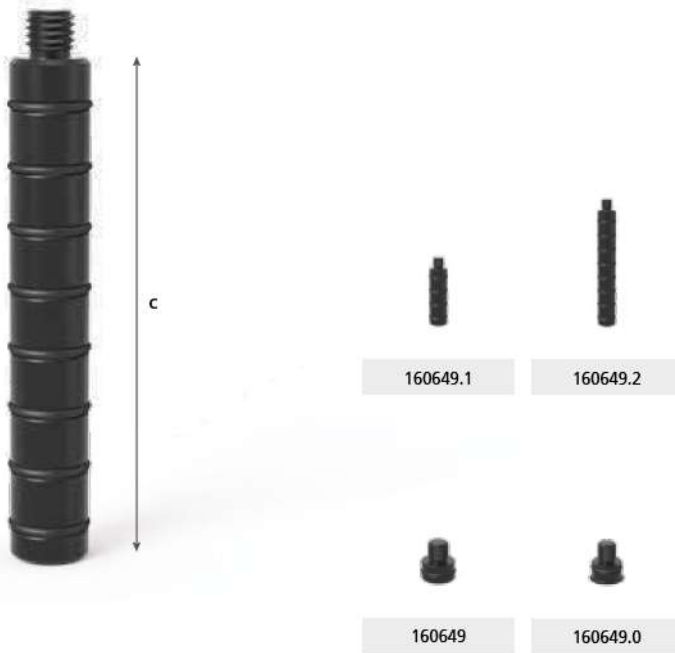


	Height: (c)	Ø: (o)	Weight:	Item No.
Prism Ø 80 120° with screwed-in collar - Burnished - M10 thread for example prism extensions Item No. 160649	30 mm	80 mm	0,77 kg	2-160652.1 ●
Prism Ø 80 120° with screwed-in collar - Aluminum - M10 thread for example prism extensions Item No. 160649	30 mm	80 mm	0,77 kg	2-160652.1.A ●
Prism Ø 80 120° with screwed-in collar - Polyamide - M10 thread for example prism extensions Item No. 160649	30 mm	80 mm	0,77 kg	2-160652.1.P ●

● = Stock item / ○ = Item is made to order

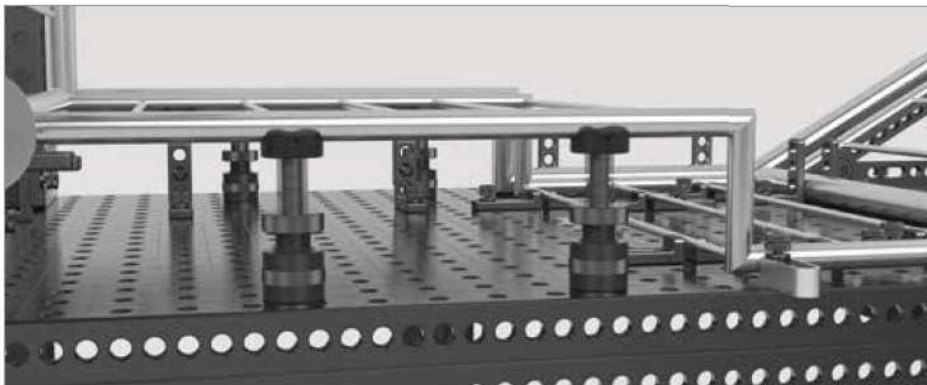
Steel Collar - upon request also available in aluminum or polyamide.

Prism Extension



Description:

The Prism extension can be quickly and securely screwed in all prisms and enables positioning of the prism at different heights in combination with spacers (Item No. 280821). With the screw support (Item No. 280822) an infinitely variable positioning is possible.



	Length: (a)	Ø: (o)	Weight:	Item No.
Prism Extension 50 - Burnished	50 mm	16 mm	0,08 kg	2-160649.1 ●
Prism Extension 100 - Burnished	100 mm	16 mm	0,15 kg	2-160649.2 ●
Prism Screw-in Flange - Burnished	19 mm	16 mm	0,02 kg	2-160649 ●
Special screw - for prisms system 16	20 mm	16 mm	0,02 kg	2-160649.0 ●

● = Stock item / ○ = Item is made to order

Upon request, all parts are available in aluminum or polyamide version.

Screw Support

Description:

Screw Support, especially intended for vernier adjustments ranging from 50-70 mm. Height compensation can be substantially increased by using prism extensions and the set of supports.



Screw Support Ø 50 - Burnished	Height: (c)	Ø: (o)	Weight:	Item No.
	50-70 mm	50 mm	0,71 kg	2-160822 ●

● = Stock item / ○ = Item is made to order

Set of Supports 7 pieces



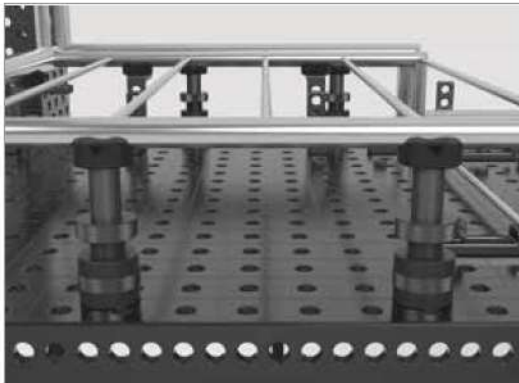
160821



160821.1



160821.2



Description:

7-piece Set of Supports, offers the option to create height-adjustable work surfaces. The individual supports can be utilized to compensate for height differences of 1-60 mm. In order to achieve the intended height precisely, the lowest grading of the Supports is 1 mm. The measurements are specified on the particular discs. The Supports can be adjusted easily and precisely with the help of O-rings. The Set of Supports can be inserted universally in all drill holes of type 16. The M10 thread on the inside of the supports enables fastening of customer specific components or prisms.

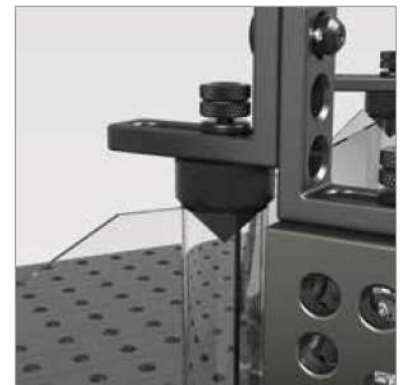
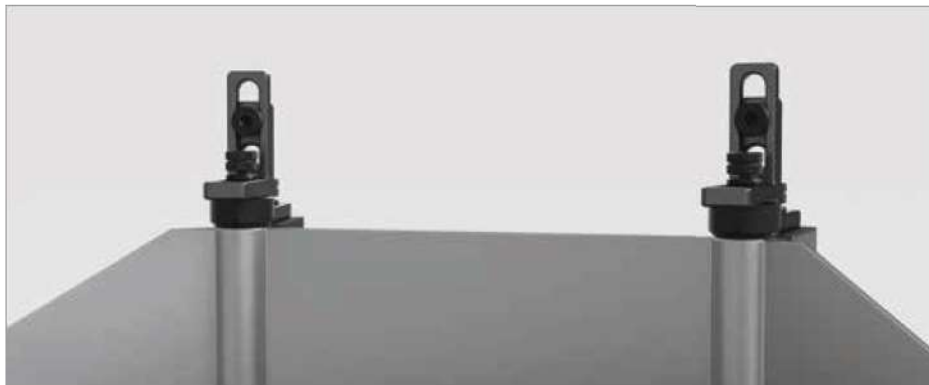
	Height: (c)	Ø: (o)	Weight:	Item No.
Set of Supports 7 pieces - Burnished	65 mm	25 mm	0,17 kg	2-160821 ●
Tower for Supports - Burnished	65 mm	25 mm	0,09 kg	2-160821.1 ●
Washer Set - gradation of discs: 1 / 2 / 3 / 5 mm 10 / 20 mm		25 mm	0,08 kg	2-160821.2 ●

● = Stock item / ○ = Item is made to order

Clamping Cone



160670



Description:

Clamping Cone, enables clamping of round and square pipes with a diameter of up to < 45 mm, by simply positioning them. The Clamping Cone is fastened with bolts.

Clamping Cone - Burnished	Height: (c)	Ø: (o)	Weight:	Item No.
	40 mm	45 mm	0,26 kg	2-160670 ●

● = Stock item / ○ = Item is made to order

Upon request, all parts are available in aluminum or polyamide version.



	Page
Vertical Toggle Clamp with Adapter / Horizontal Toggle Clamp with Adapter	590
Adapter with Hole Pattern / Adapter Blank without Hole Pattern	592

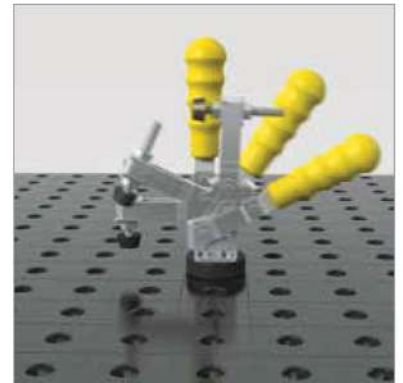
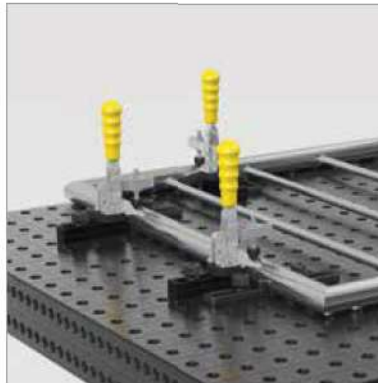
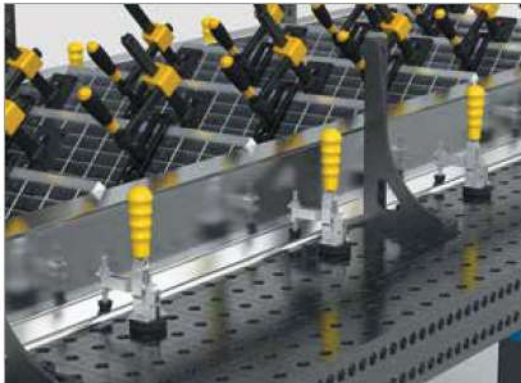


Vertical Toggle Clamp with Adapter



160705

009082



Description:

Vertical Toggle Clamp with Adapter, universally usable with 16 mm bore holes. Maximum functionality is achieved in combination with the Universal Stop, Item No. 160420.

The Adapter is replaceable. Further sizes see page 592.

Vertical Toggle Clamp with Adapter
- Adapter 160715

Weight:

Item No.

0,95 kg

2-160705 ●

Vertical Toggle Clamp

2-009082 ●

● = Stock item / ○ = Item is made to order

Horizontal Toggle Clamp with Adapter

Description:

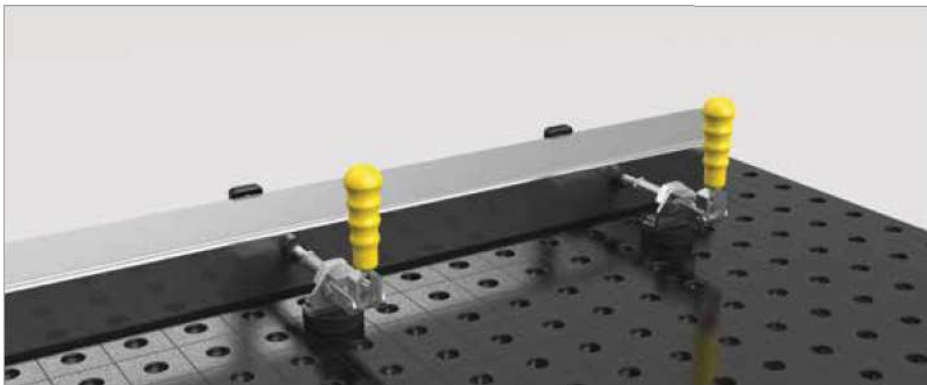
The Horizontal Toggle Clamp with Adapter is universally usable, with 16 mm bore holes. Highest efficiency is achieved in combination with the Universal Stop, Item No. 160420.

The Adapter is replaceable. Further sizes see page 592.



160710

009083



	Weight:	Item No.
Horizontal Toggle Clamp with Adapter - Adapter 160715	0,91 kg	2-160710 ●
Horizontal Toggle Clamp		2-009083 ●

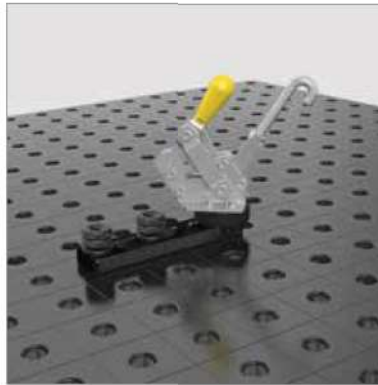
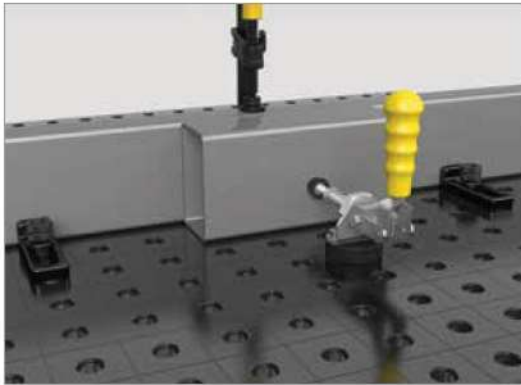
● = Stock item / ○ = Item is made to order

Adapter with Hole Pattern / Adapter Blank without Hole Pattern



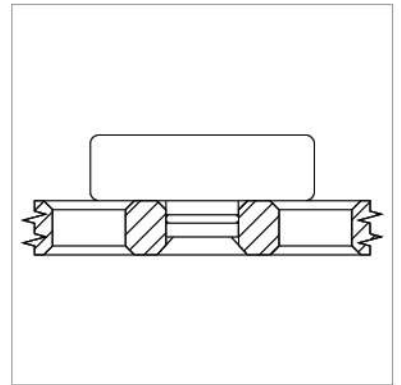
160715

160720



Description:

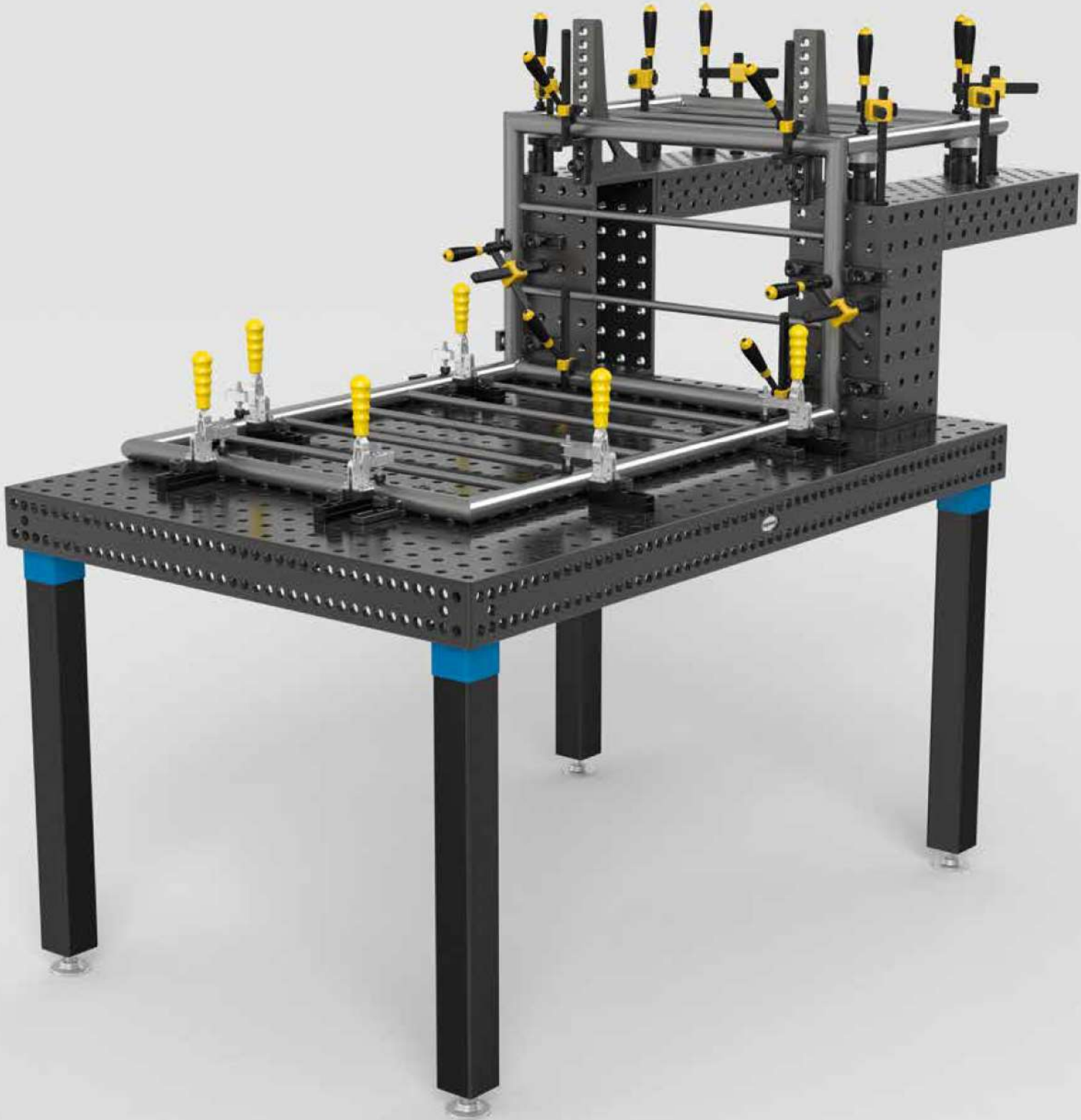
Adapter with Hole Pattern, universally usable in all 16 mm bore holes. With the integrated O-ring maximum fitting accuracy is achieved.



	Height: (c)	Ø: (o)	M5: (d)	Weight:	Item No.
Adapter with Hole Pattern Ø 48 / 15 - for quick-change clamp	22 mm	48 mm	15 mm	0,20 kg	2-160715 ●
Adapter Blank without Hole Pattern Ø 48 / 15 - for quick-change clamp	22 mm	48 mm	15 mm	0,25 kg	2-160720 ●

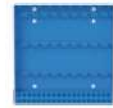
M5=Material thickness;

● = Stock item / ○ = Item is made to order

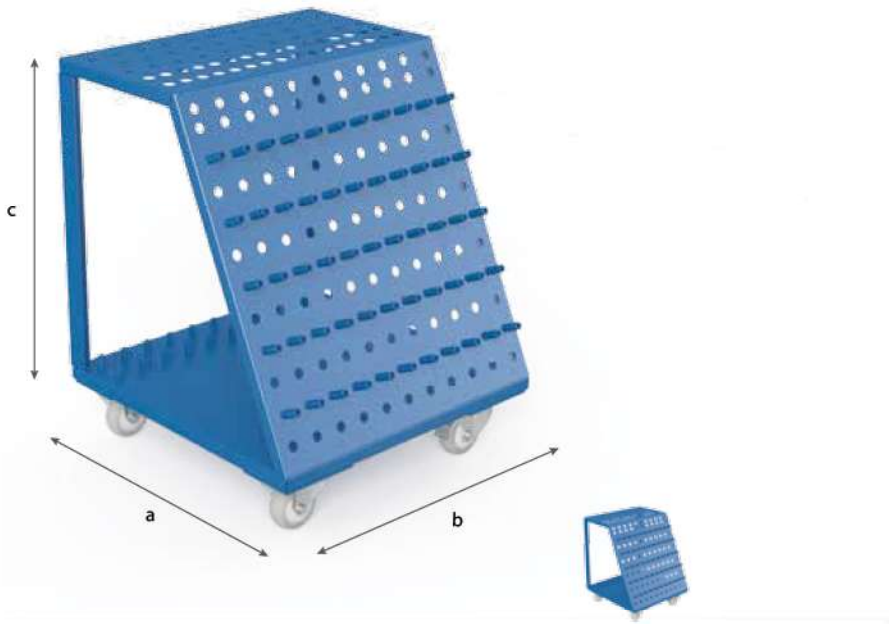




	Page
Tool Cart / Toolwall	596
Modular Tool Panel / Protective Welding Wall	598
Brush / Burner Holder	600
Allen Wrench / Ground Connection	602
Shipping Bracket	604



Tool Cart



160910



Description:

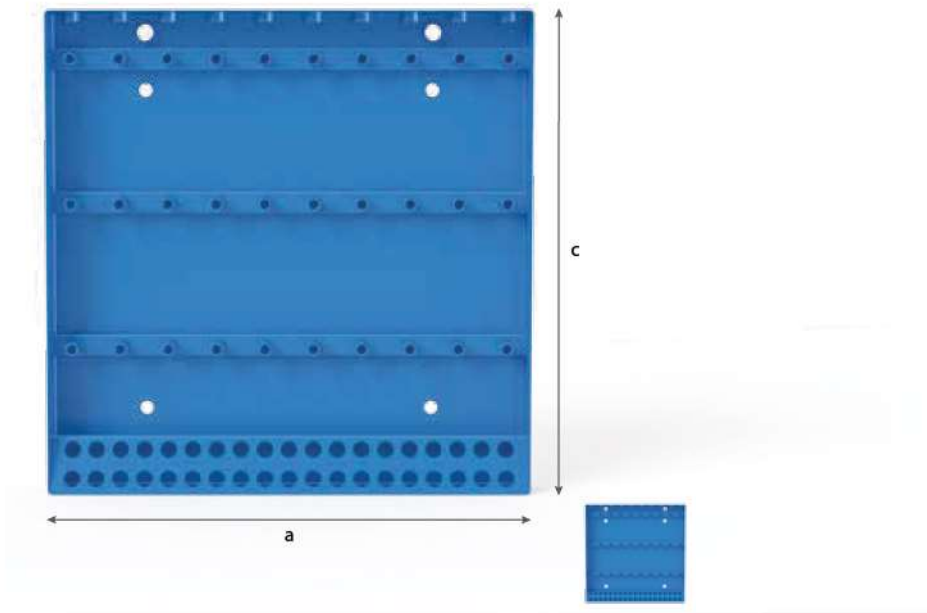
Tool Cart, offers sufficient space for your Siegmund accessories. Your tools are handy, and you always keep track of them. Large squares are practically and safely stored in the inside space. Due to the casters, the tools are quickly transported to different points of use.

Tool Cart - varnished	Length: (a)	Width: (b)	Height: (c)	Weight:	Item No.
	560 mm	560 mm	720 mm	30,00 kg	2-160910 ●

● = Stock item / ○ = Item is made to order

Description:

With the Toolwall Siegmund accessories are always within reach quickly. It can easily be bolted to the table, and attached to the wall with screws.



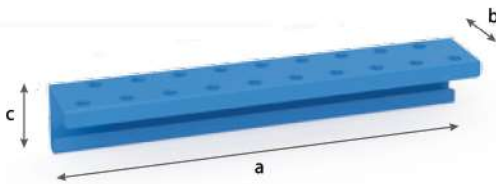
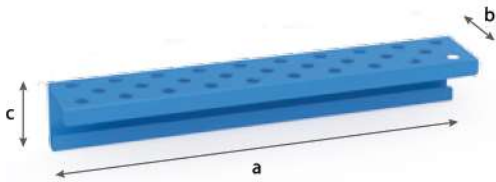
160912



Toolwall - varnished	Length: (a)	Width: (b)	Height: (c)	Weight:	Item No.
	500 mm	50 mm	500 mm	7,40 kg	2-160912 ●

● = Stock item / ○ = Item is made to order

Modular Tool Panel



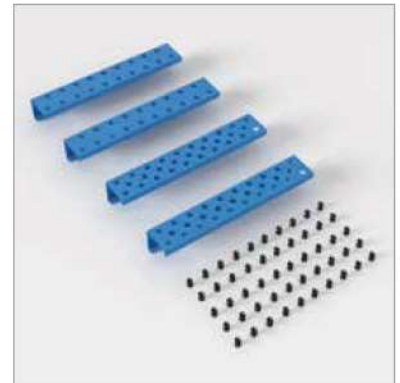
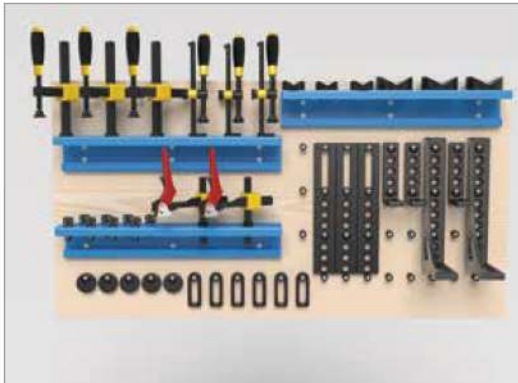
160930



160931



160936



Description:

Modular Toolwall - create your own personal toolwall by using different components.

The Module 160930 (with System 16 bushing), is suitable for screw clamps, prisms and bolts. The Module 160931 (without bushing) can only be used with prisms and bolts.

By using the pin 160936 you can hang up all components with a drill hole of System 16.

The required back board is not included in delivery. We recommend using a glue-laminated wood board with a thickness of at least 5 cm.

	Length: (a)	Width: (b)	Height: (c)	Ø: (o)	Weight:	Item No.
--	-------------	------------	-------------	--------	---------	----------

Module for Tool Wall with Sleeves - varnished	500 mm	90 mm	80 mm	16 mm	1,90 kg	2-160930 ●
Module for Tool Wall without Sleeves - varnished	500 mm	90 mm	80 mm	16 mm	1,60 kg	2-160931 ●
Pin for Toolwall - Burnished - pack of 10	22 mm			16 mm	0,01 kg	2-160936.10 ●
Set Module for Tool Wall - consisting of 2x 160930, 2x 160931, 5x 160936.10						2-160930.Set ●

● = Stock item / ○ = Item is made to order

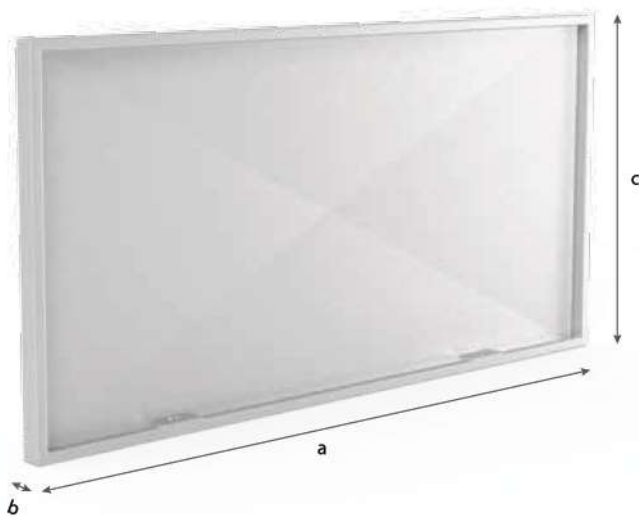
Protective Welding Wall

Description:

Protective Welding Wall, enables dividing the table into two workspaces. Position and size of workspaces are determined by individual requirements.

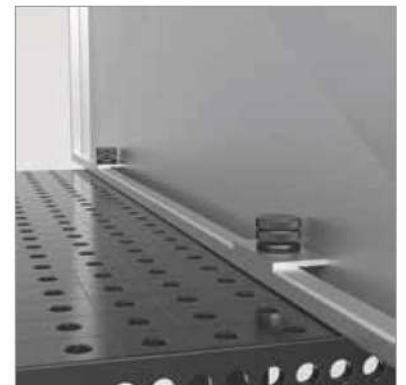
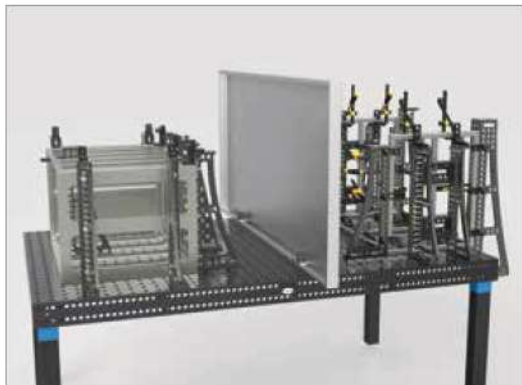
The Protective Wall protects workspaces that are located next to each other from welding spatters. The Protective Welding Wall is made of zinc coated sheet and is attached with two bolts.

(The Protective Welding Wall is not scratch-proof due to production-related reasons).



280980

000520



	Length: (a)	Width: (b)	Height: (c)	Ø: (o)	Weight:	SK:	AM:	ZK:	Item No.
Protective Welding Wall - Custom color varnish available against surcharge	1600 mm	50 mm	800 mm		23,00 kg				2-280980 ●
Combination Fast Clamping Bolt 28 -> 16 short - Burnished	75 mm			40 mm	0,32 kg	55,00 kN	10,00 Nm	10,00 kN	2-000520 ●

SK=Shearing Force; AM=Tightening Torque; ZK=Tensile Force;

● = Stock item / ○ = Item is made to order

Brush



160820

160820.10



Description:

Brush with a diameter of 17 mm, especially developed for removing grime in 16 mm bore holes effortlessly.



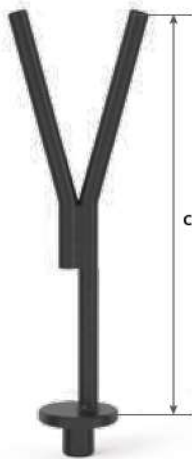
Brush Ø 17 with protecting cover
- with protecting cover

Brush Ø 17 for drill bit / 10 piece pack

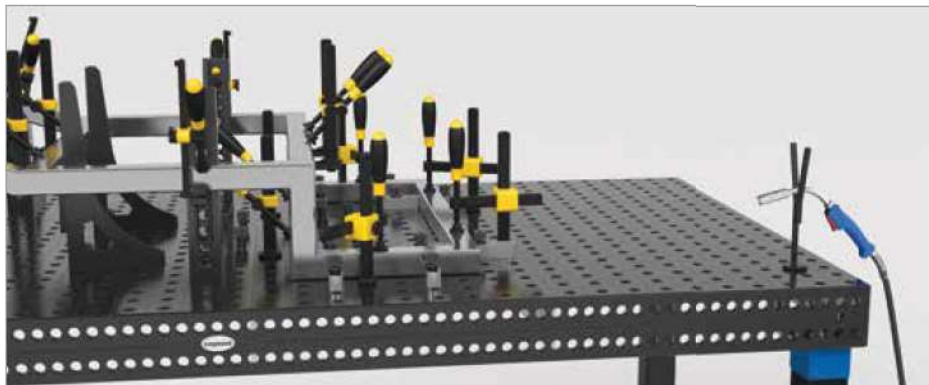
Ø: (o)	Weight:	Item No.
17 mm	0,05 kg	2-160820 ●
17 mm	0,05 kg	2-160820.10 ●

● = Stock item / ○ = Item is made to order

Burner Holder



160920



Height: (c)	Weight:	Item No.
200 mm	0,27 kg	2-160920 ●

Burner Holder
 - Burnished

● = Stock item / ○ = Item is made to order

Allen Wrench



160852



Description:

Allen Key 4, the practical tool to tighten bolts quickly and safely.

The Allen Key 4 is perfect for clamping of clamping bolts and screw clamps.

Allen Wrench 4
- yellow

Weight:

0,06 kg

Item No.

2-160852 ●

● = Stock item / ○ = Item is made to order

Ground Connection

Description:

Ground Connection, guarantees 100% contact to the welding table, therefore no overheating is possible. Simple installation by fastening it in a system bore hole.

Load up to 500 ampere
Cable cross section 70-95 mm²



000810

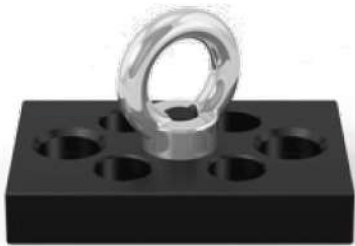
**Ground Connection Comfort**

Item No.

2-000810 ●

● = Stock item / ○ = Item is made to order

Shipping Bracket



160830

000835

Description:

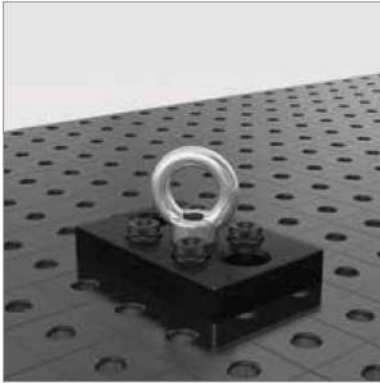
The Shipping Bracket with fastening plate has a load capacity of 700 kg. It is used to move welding tables and other heavy Siegmund elements safely and easily. It is fastened quickly and simply with four clamping bolts.

The general regulations for the use of shipping brackets must be followed. The load capacity can be reduced substantially, depending on operating conditions. During transport, the table may not be raised more than 100 mm, and no one is permitted underneath the table.

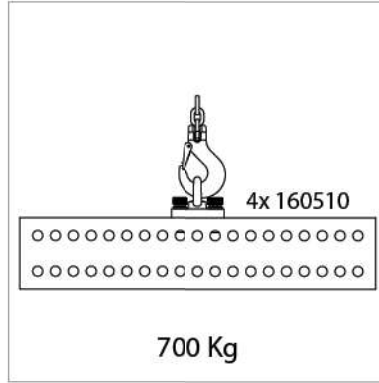
In addition, the shipping brackets can be used as an easy fastener for lashing straps.

Please consider following safety instructions:
 Ring nuts should be completely bolted.
 Ring nuts should bear flat and completely on support surface.
 Length of mating thread has to be sufficient.
 Lateral pull should be avoided.

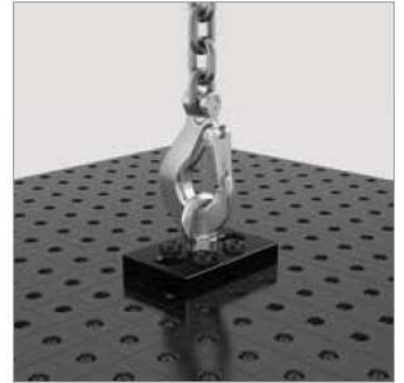




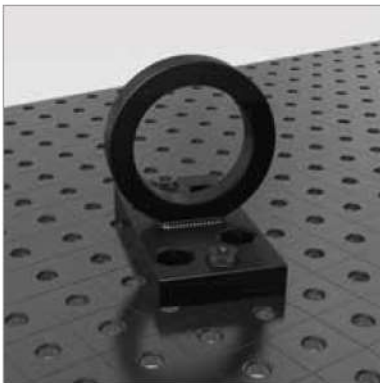
160830



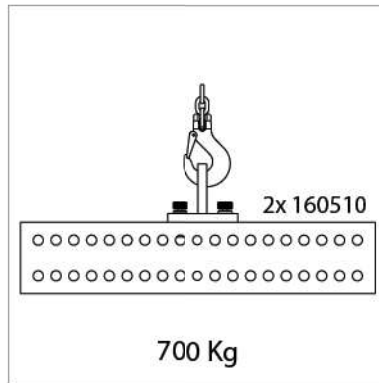
160830



160830



000835



000835



000835

	Length: (a)	Width: (b)	Height: (c)	Weight:	Item No.
Shipping Bracket with Fastening Plate - 700 kg load-bearing capacity (with 4x 160510)	150 mm	100 mm	25 mm	2,63 kg	2-160830 ●
Shipping Bracket - 700 kg load-bearing capacity (with 2x 160510) - for work table system 28 and 16	200 mm	100 mm	165 mm	4,50 kg	2-000835 ●

● = Stock item / ○ = Item is made to order

not allowed for 160055 (4000x2000x100 mm)

