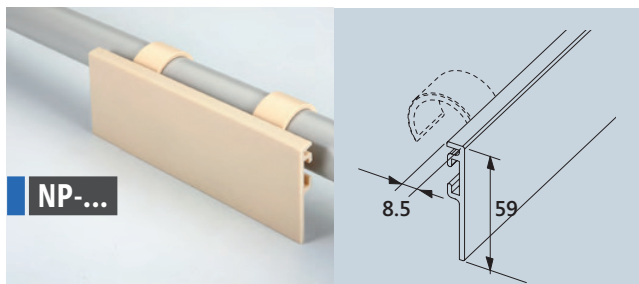


NP-...

Name panels

Available in 3m lengths, as well as in the lengths listed below, may be shortened if required.

length	ivory	grey
150 mm	100037 NP-150-i	113417 NP-150-G
250 mm	100038 NP-250-i	113418 NP-250-G
300 mm	100039 NP-300-i	113419 NP-300-G
1000 mm	100040 NP-1000-i	113416 NP-1000-G
3000 mm		113579 NP-3000-G



NP-...

Name panels

Available in 3m lengths, as well as in the lengths listed below, may be shortened if required.

length	ivory	grey
50 mm	123470 NP-B-50-i	123471 NP-B-50-G
100 mm	113580 NP-B-100-i	113581 NP-B-100-G
150 mm	100042 NP-B-150-i	113420 NP-B-150-G
250 mm	113582 NP-B-250-i	113583 NP-B-250-G
300 mm	113585 NP-B-300-i	113584 NP-B-300-G
1000 mm	100066 NP-B-1000-i	112406 NP-B-1000-G
3000 mm	113421 NP-B-3000-i	112250 NP-B-3000-G



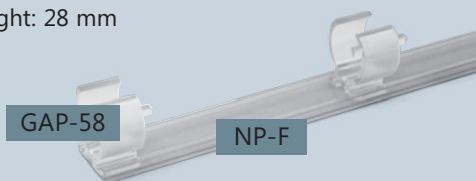
100085 NP-F-150

119848 NP-F-1000

122727 NP-F-1500

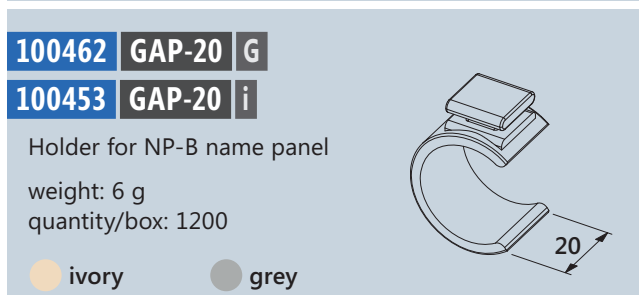
Transparent runners for the insertion of written labels. Available in 150/1000/1500 mm; can be shortened if necessary. To be attached directly to the pipe with GAP-58.

Insertion height: 28 mm



GAP-58

NP-F



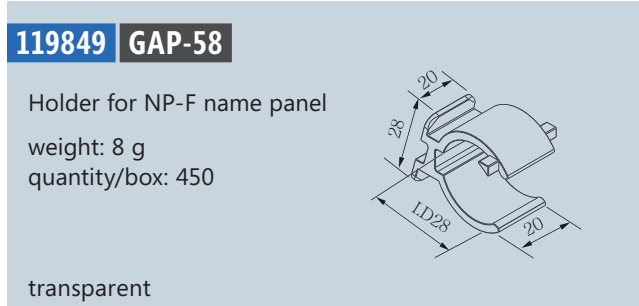
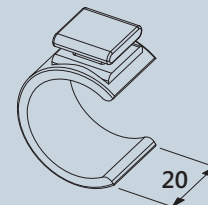
100462 GAP-20 G

100453 GAP-20 i

Holder for NP-B name panel

weight: 6 g  
quantity/box: 1200

ivory grey

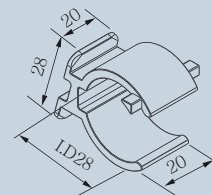


119849 GAP-58

Holder for NP-F name panel

weight: 8 g  
quantity/box: 450

transparent



126031 NP-H150

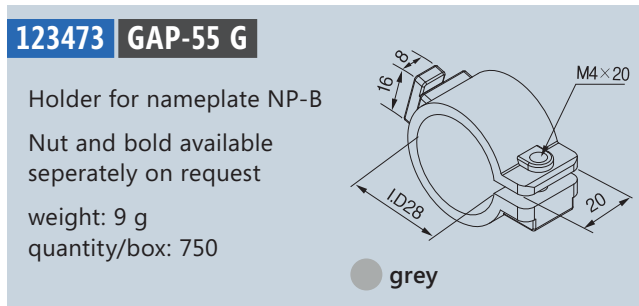
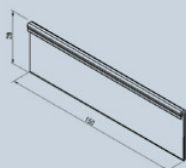
126032 NP-H1000

125702 NP-H1500

125704 NP-H3000

Nameplate Holder

weight: 80 g/m  
length: 150-3000 mm

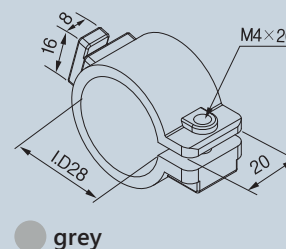


123473 GAP-55 G

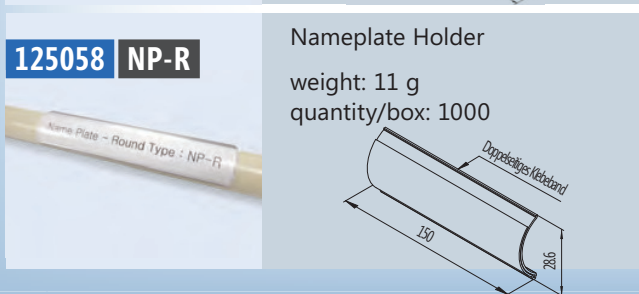
Holder for nameplate NP-B

Nut and bolt available separately on request

weight: 9 g  
quantity/box: 750



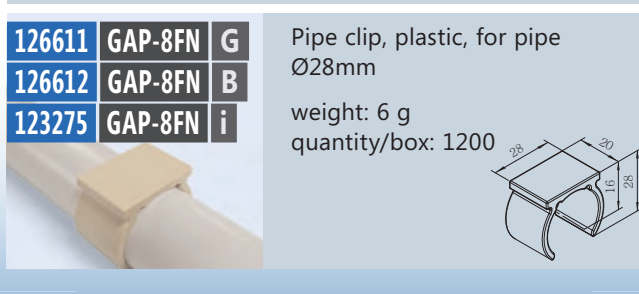
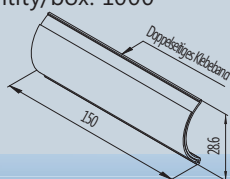
grey



125058 NP-R

Nameplate Holder

weight: 11 g  
quantity/box: 1000



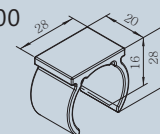
126611 GAP-8FN G

126612 GAP-8FN B

123275 GAP-8FN i

Pipe clip, plastic, for pipe Ø28mm

weight: 6 g  
quantity/box: 1200



**129644 NP-K100** Nameplate holder round  
 weight: 13 g  
 quantity/box: 300

**129645 NP-K1000**

**130845 NP-G-150**

Nameplate holder  
 weight: 26 g  
 quantity/box: 360

**NP-C-...**

**NP-D-...**

**NP-E-...**

Transparent runners for the insertion of written labels are attached directly to the pipe without holder.

Available in 3m lengths, as well as in the lengths listed below, may be shortened if required.

length	Height 50 mm	33 mm	23 mm
100 mm	113608 NP-C-100	113611 NP-D-100	113616 NP-E-100
150 mm	109775 NP-C-150	109776 NP-D-150	109777 NP-E-150
250 mm	113609 NP-C-250	113612 NP-D-250	113617 NP-E-250
300 mm	113610 NP-C-350	113614 NP-D-350	113618 NP-E-350
1000 mm	109778 NP-C-1000	109779 NP-D-1000	109780 NP-E-1000

**NP-F40-150**

Nameplate holder  
 weight: 19 g  
 quantity/box: 1000

**LA-B**

**LA-D**

Transparent plastic pockets are attached to the pipe with holder GAP-06.

	Format	weight	quantity/box
<b>100035 LA-B</b>	300 x 120 mm	50 g	100
<b>112991 LA-CA3</b>	430 x 320 mm	180 g	200
<b>100059 LA-CA4</b>	300 x 220 mm	88 g	100
<b>100036 LA-D</b>	150 x 60 mm	12 g	300



conductive version

<b>109982 LA-CA4-E</b>	300 x 220 mm	75 g	100
<b>109983 LA-CA6-E</b>	150 x 115 mm	32 g	100

**128999 GAP-06B G** Holder for LA-C... and LA-D  
 weight: 5 g  
 quantity/box: 1200

**129000 GAP-06B BK-E**

conductive version

**100457 GAP-06 B** Holder for LA-C... and LA-D  
 weight: 5 g  
 quantity/box: 1200

**100437 GAP-06 BK-E**

conductive version