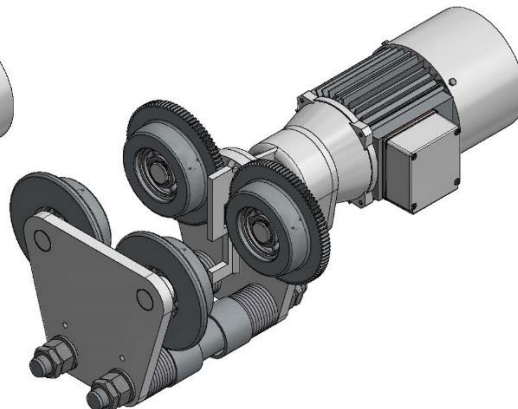
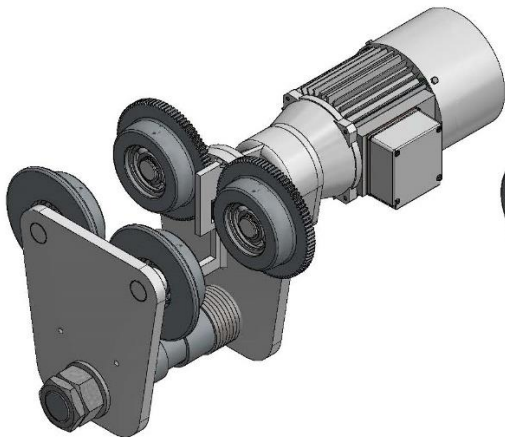
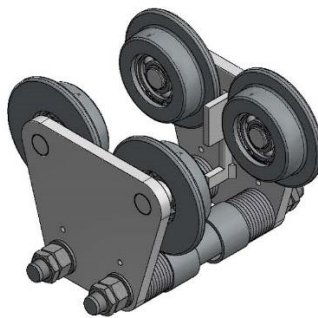
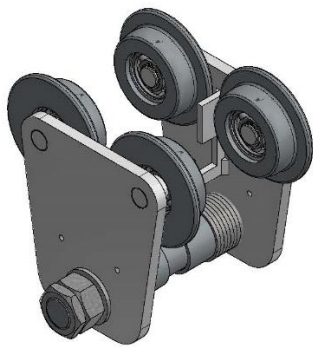


Spare part list

Trolleys


Push trolley- and Electric trolley




LIFTKET Hoffmann GmbH

Dresdener Straße 64-68

04808 Wurzen / Germany

 +49-3425-89 24-0

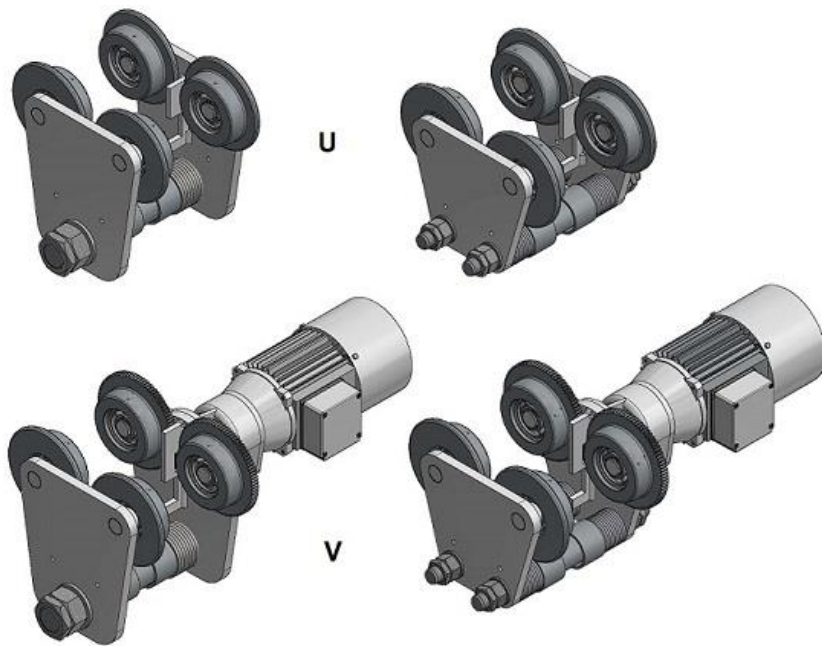
 +49-3425-89 24-99

 sales@liftket.de

 www.liftket.de

Ho 01/2018 englisch

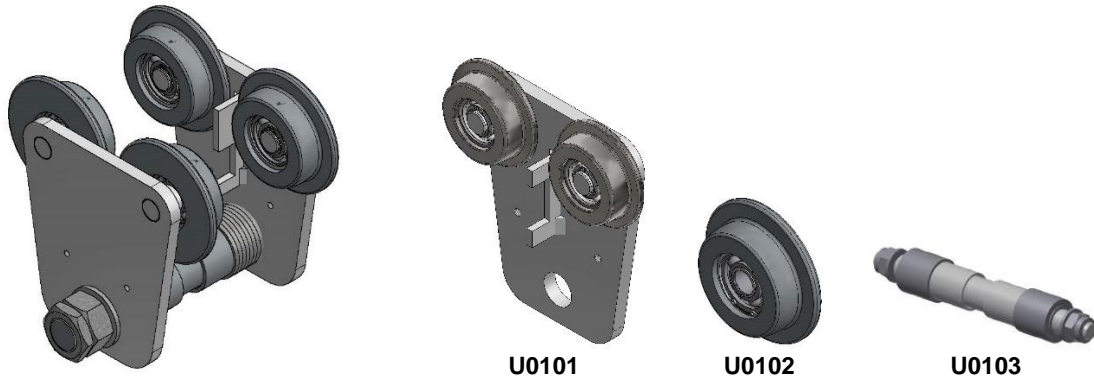
Overview



Code	Description	Page
U	Push trolley	4
V	Electric trolley	6
W	Tandem trolley	11
	Order form spare parts	13

U – Push trolley

One suspension bolt - push trolley



to 1000 kg

Code	Description	Version	
U0101	side plate cpl.		33 2 00H 001/1
U0102	wheel cpl.		35 9 00A 010/1
U0103	set of suspension bolts	N (50-106 mm)	33 2 00H 014/0
		S1 (110-200 mm)	33 2 00H 014.1/0
		S2 (210-300 mm)	33 2 00H 014.2/0

to 2000 kg

Code	Description	Version	
U0101	side plate cpl.		33 2 00J 001/1
U0102	wheel cpl.		35 9 00A 010/1
U0103	set of suspension bolts	N (66-135 mm)	33 2 00J 014/0
		S1 (137-215 mm)	33 2 00J 014.1/0
		S2 (220-300 mm)	33 2 00J 014.2/0

to 3200 kg

Code	Description	Version	
U0101	side plate cpl.		33 2 00L 001/1
U0102	wheel cpl.		35 9 00L 010/1
U0103	set of suspension bolts	N (82-155 mm)	33 2 00L 014/0
		S1 (137-215 mm)	33 2 00L 014.1/0
		S2 (220-300 mm)	33 2 00L 014.2/0

to 6300 kg

Code	Description	Version	
U0101	side plate cpl.		33 2 52R 001/0
U0102	wheel cpl.		39 9 00R 010/1
U0103	set of suspension bolts	N (90-155 mm)	33 2 52R 014/0
		S1 (160-226 mm)	33 2 52R 014.1/0
		S2 (240-300 mm)	33 2 52R 014.2/0

Two suspension bolts – push trolley



to 500 kg

Code	Description	Version	Order number
U0201	side plate cpl.		35 2 00A 001/1
U0202	wheel cpl.		35 9 00A 010/1
U0203	set of suspension bolts	N (50-106 mm)	35 2 00A 014/1
		S1 (110-200 mm)	35 2 00A 014.1/1
		S2 (210-300 mm)	35 2 00A 014.2/1

to 2000 kg

Code	Description	Version	Order number
U0201	side plate cpl.		35 2 00H 001/1
U0202	wheel cpl.		35 9 00A 010/1
U0203	set of suspension bolts	N (66-135 mm)	35 2 00H 014/2
		S1 (137-215 mm)	35 2 00H 014.1/2
		S2 (220-300 mm)	35 2 00H 014.2/2

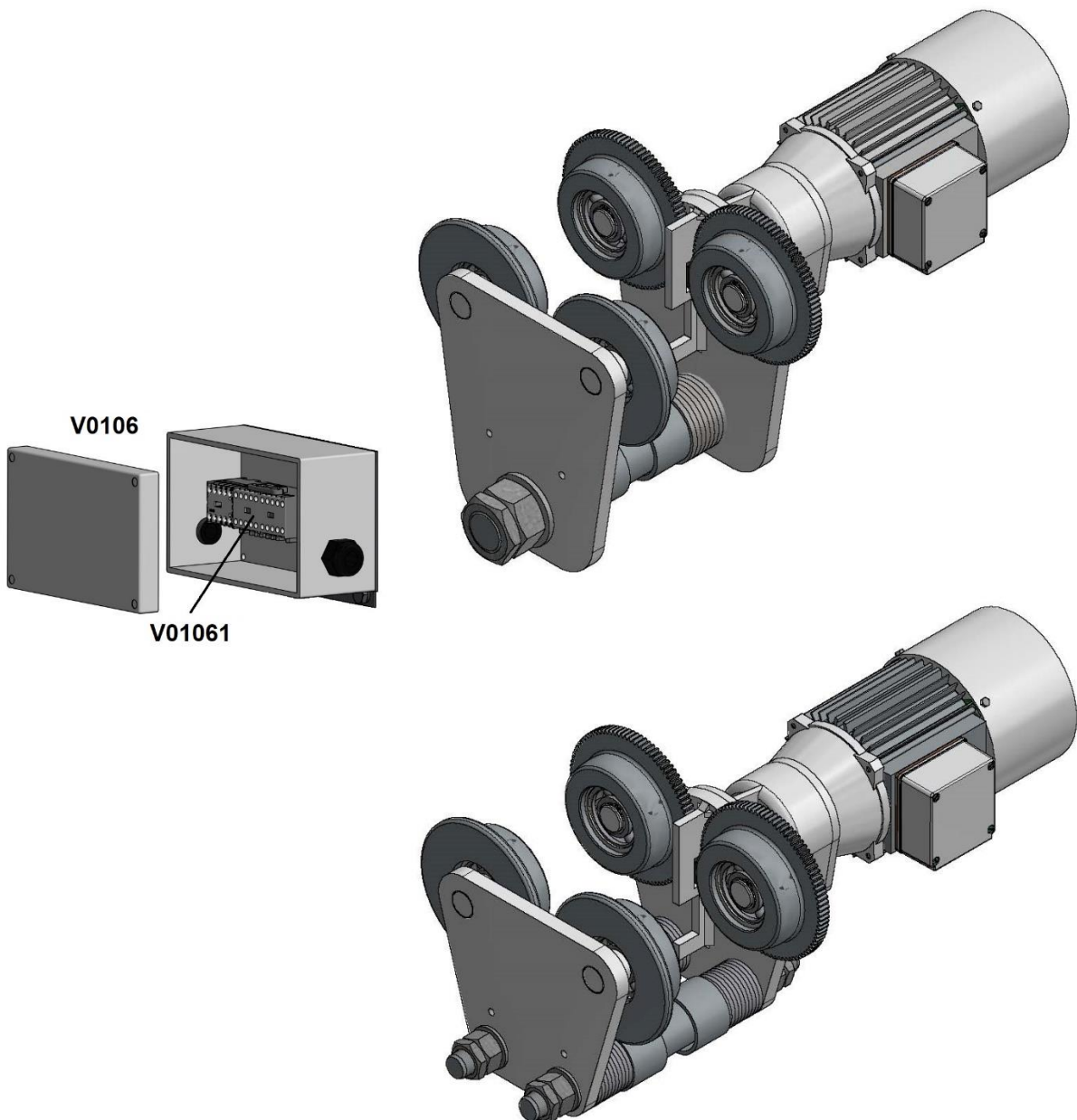
to 3200 kg

Code	Description	Version	Order number
U0201	side plate cpl.		35 2 00L 001/1
U0202	wheel cpl.		35 9 00L 010/1
U0203	set of suspension bolts	N (82-155 mm)	35 2 00L 014/2
		S1 (137-215 mm)	35 2 00L 014.1/2
		S2 (220-300 mm)	35 2 00L 014.2/1

bis 6300 kg

Code	Description	Version	Order number
U0201	side plate cpl.		39 2 52R 001/1
U0202	wheel cpl.		39 9 00R 010/1
U0203	set of suspension bolts	N (90-155 mm)	39 2 52R 014/0
		S1 (160-226 mm)	39 2 52R 014.1/1
		S2 (240-300 mm)	39 2 52R 014.2/0

V – Electric trolley



Components

Code	Description	Version	Order number
V01051	rectifier	one traveling speed	20 00040 00051
		two traveling speeds	20 00040 000E2
V0106	low voltage control for trolley	one traveling speed	41 2 00A 000/0
		two traveling speeds	41 2 00G 000/0
V01061	contactor K5 / K6		74 3LC2K 91024
	contactor K7	sec. traveling speed	74 3LC1K 98024

One suspension bolts – electric trolley



to 1000 kg

Code	Description	Version	Order number
V0101	motor side plate cpl.	one traveling speed	34 2 00H 023/1
		two traveling speeds	34 2 00H 020/1
V0102	side plate cpl.	undriven	33 2 00H 001/1
V0103	wheel cpl.	geared	39 9 00H 011/1
		ungeared	35 9 00A 010/1
V0104	suspension bolt	N (66-135 mm)	33 2 00H 014/0
		S1 (137-215 mm)	33 2 00H 014.1/0
		S2 (220-300 mm)	33 2 00H 014.2/0
V0105	traveling motor cpl.	16 m/min	43 9 00A 000/0
		25 m/min	43 9 01A 000/0
		5+20 m/min	43 9 05020 A 000/0

to 2000 kg

Code	Description	Version	Order number
V0101	motor side plate cpl.	one traveling speed	34 2 00J 023/1
		two traveling speeds	34 2 00J 020/1
V0102	side plate cpl.	undriven	33 2 00J 001/1
V0103	wheel cpl.	geared	39 9 00H 011/1
		ungeared	35 9 00A 010/1
V0104	suspension bolt	N (66-135 mm)	33 2 00J 014/0
		S1 (137-215 mm)	33 2 00J 014.1/0
		S2 (220-300 mm)	33 2 00J 014.2/0
V0105	traveling motor cpl.	16 m/min	43 9 00A 000/0
		25 m/min	43 9 01A 000/0
		5+20 m/min	43 9 05020 A 000/0

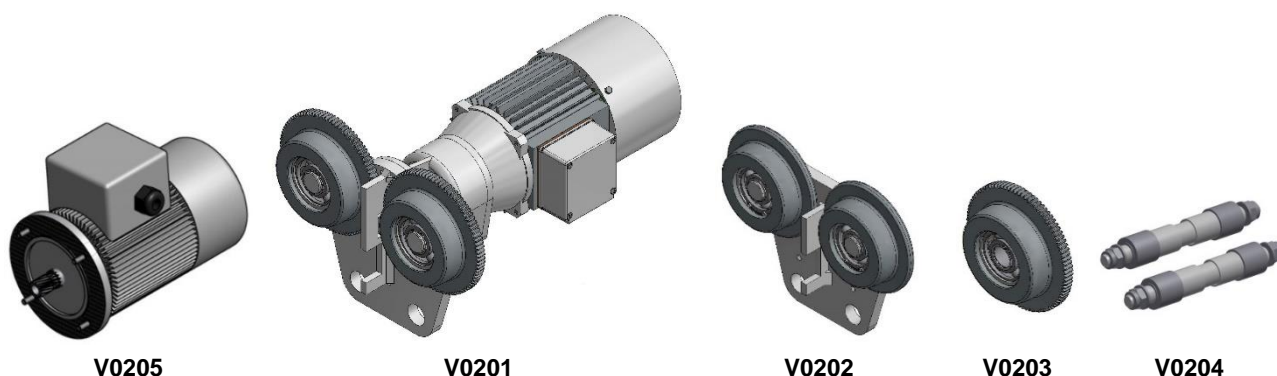
to 3200 kg

Code	Description	Version	Order number
V0101	motor side plate cpl.	two traveling speeds	34 2 00L 006/1
V0102	side plate cpl.	undriven	33 2 00L 001/1
V0103	wheel cpl.	geared	39 9 00L 011/1
		ungeared	35 9 00L 010/1
V0104	suspension bolt	N (82-155 mm)	33 2 00L 014/0
		S1 (137-215 mm)	33 2 00L 014.1/0
		S2 (220-300 mm)	33 2 00L 014.2/0
V0105	traveling motor cpl.	5+20 m/min	43 9 05020 L 000/0

to 6300 kg

Code	Description	Version	Order number
V0101	motor side plate cpl.	two traveling speeds	34 2 52R 006/1
V0102	side plate cpl.	undriven	33 2 52R 001/0
V0103	wheel cpl.	geared	39 9 00R 011/1
		ungeared	39 9 00R 010/1
V0104	suspension bolt	N (90-155 mm)	33 2 52R 014/0
		S1 (160-226 mm)	33 2 52R 014.1/0
		S2 (240-300 mm)	33 2 52R 014.2/0
V0105	traveling motor cpl.	4+16 m/min	43 9 04016 R 000/0

Two suspension bolts - electric trolley



to 500 kg

Code	Description	Version	Order number
V0201	motor side plate cpl.	one traveling speed	39 2 00A 006/0
		two traveling speeds	39 2 00A 020/1
V0202	side plate cpl.	undriven	35 2 00A 001/1
V0203	wheel cpl.	geared	39 9 00A 011/1
		ungeared	35 9 00A 010/1
V0204	set of suspension bolts	N (50-106 mm)	35 2 00A 014/1
		S1 (110-200 mm)	35 2 00A 014.1/1
		S2 (210-300 mm)	35 2 00A 014.2/1
V0205	traveling motor cpl.	16 m/min	43 9 00A 000/0
		25 m/min	43 9 01A 000/0
		5+20 m/min	43 9 05020 A 000/0

to 2000 kg

Code	Description	Version	Order number
V0201	motor side plate cpl.	one traveling speed	39 2 00H 006/0
		two traveling speeds	39 2 00H 020/1
V0202	side plate cpl.	undriven	35 2 00H 001/1
V0203	wheel cpl.	geared	39 9 00H 011/1
		ungeared	35 9 00A 010/1
V0204	set of suspension bolts	N (66-135 mm)	35 2 00H 014/2
		S1 (137-215 mm)	35 2 00H 014.1/2
		S2 (220-300 mm)	35 2 00H 014.2/2
V0205	traveling motor cpl.	16 m/min	43 9 00A 000/0
		25 m/min	43 9 01A 000/0
		5+20 m/min	43 9 05020 A 000/0

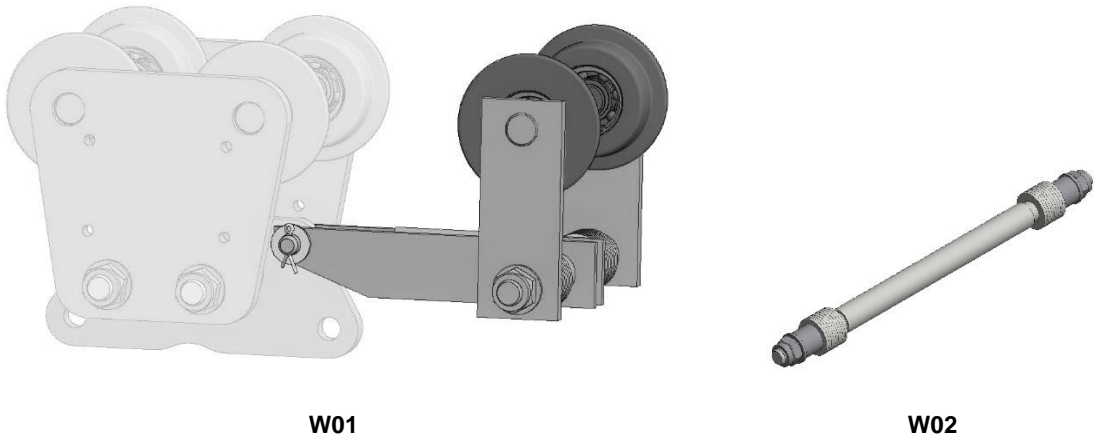
to 3200 kg

Code	Description	Version	Order number
V0201	motor side plate cpl.	one traveling speed	39 2 00L 002/1
		two traveling speeds	39 2 00L 006/1
V0202	side plate cpl.	undriven	35 2 00L 001/1
V0203	wheel cpl.	geared	39 9 00L 011/1
		ungeared	35 9 00L 010/1
V0204	set of suspension bolts	N (82-155 mm)	35 2 00L 014/2
		S1 (137-215 mm)	35 2 00L 014.1/2
		S2 (220-300 mm)	35 2 00L 014.2/1
V0205	traveling motor cpl.	8 m/min	43 9 00A 000/0
		12 m/min	43 9 01A 000/0
		5+20 m/min	43 9 05020 L 000/0

to 6300 kg

Code	Description	Version	Order number
V0201	motor side plate cpl.	two traveling speeds	39 2 52R 006/1
V0202	side plate cpl.	undriven	39 9 52R 001/1
V0203	wheel cpl.	geared	39 9 00R 011/1
		ungeared	39 9 00R 010/1
V0204	set of suspension bolts	N (90-155 mm)	39 2 52R 014/0
		S1 (160-226 mm)	39 2 52R 014.1/1
		S2 (240-300 mm)	39 2 52R 014.2/0
V0205	traveling motor cpl.	4+16 m/min	43 9 04016 R 000/0

W – Tandem trolley



Code	Description	Version	Order number
W01	tandem trolley cpl.	2000 kg	N (66-135 mm) 31 2 00D 000/0
			S1 (137-215 mm) 31 2 01D 000/0
			S2 (220-300 mm) 31 2 02D 000/0
		3200 kg	N (82-155 mm) 31 2 00L 000/0
			S1 (137-215 mm) 31 2 01L 000/0
			S2 (220-300 mm) 31 2 02L 000/0
		6300 kg	N (90-155 mm) 31 2 00R 000/0
			S1 (160-226 mm) 31 2 01R 000/0
			S2 (240-300 mm) 31 2 02R 000/0
W02	set of suspension bolts cpl.	2000 kg	N (66-135 mm) 31 9 00D 012/0
			S1 (137-215 mm) 31 9 00D 012.1/1
			S2 (220-300 mm) 31 9 00D 012.2/1
		3200 kg	N (82-155 mm) 31 9 00D 012/0
			S1 (137-215 mm) 31 9 00D 012.1/1
			S2 (220-300 mm) 31 9 00D 012.2/1
		6300 kg	N (90-155 mm) 31 9 00D 012/0
			S1 (160-226 mm) 31 9 00D 012.1/1
			S2 (240-300 mm) 31 9 00D 012.2/1

Order form spare parts

Customer-No. _____
Address: _____



LIFTKET Hoffmann GmbH
Dresdener Straße 64-68
04808 Wurzen / Germany

+49-3425-89 24-0
 +49-3425-89 24-99
 sales@liftket.de
 www.liftket.de

Electric chain hoist Type: _____ Voltage: _____ V _____ Hz _____ ph
Serial-No.: _____ Control: _____ V

Code	Description	Version	Order number	Pieces / Meter

Place / Date

Signature

Stamp

This catalog supersedes all previous editions, which thereby become invalid.
Subject to change