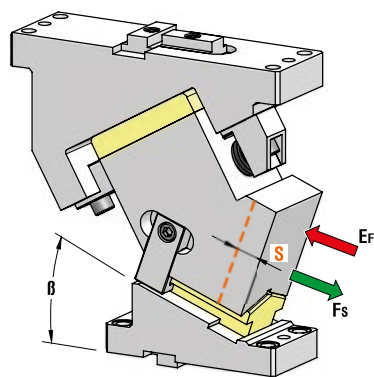




AERIAL CAM UNIT - OBEN HÄNGENDER SCHIEBER - UNITÀ A CAMME SOSPESA



P.605

OMCR CODE	Work Angle	Stroke (mm)	Max Work Force with shoulder (kN)	Extraction Force (kN)	
	β	S	Fs	Spring	Gas Spring
CHD080.00	0°	30,21	149	1,37	1,85
CHD080.05	5°	30,52	149	1,37	1,76
CHD080.10	10°	31,11	149	1,37	1,69
CHD080.15	15°	33,92	149	1,37	1,69
CHD080.20	20°	32,26	149	1,25	1,59
CHD080.25	25°	35	149	1,25	1,59
CHD080.30	30°	34,72	149	1,25	1,54
CHD080.35	35°	37,73	149	1,25	1,54
CHD080.40	40°	39,85	149	1,25	1,52
CHD080.45	45°	43,67	149	1,25	1,52
CHD080.50	50°	46,67	149	1,13	1,50
CHD080.55	55°	53,84	149	1,25	1,52
CHD080.60	60°	61,06	149	1,25	1,52
CHD080.65	65°	70,85	149	1,25	1,52

OPTION CODE

SL	1 ÷ 60 (1mm steps)
----	--------------------

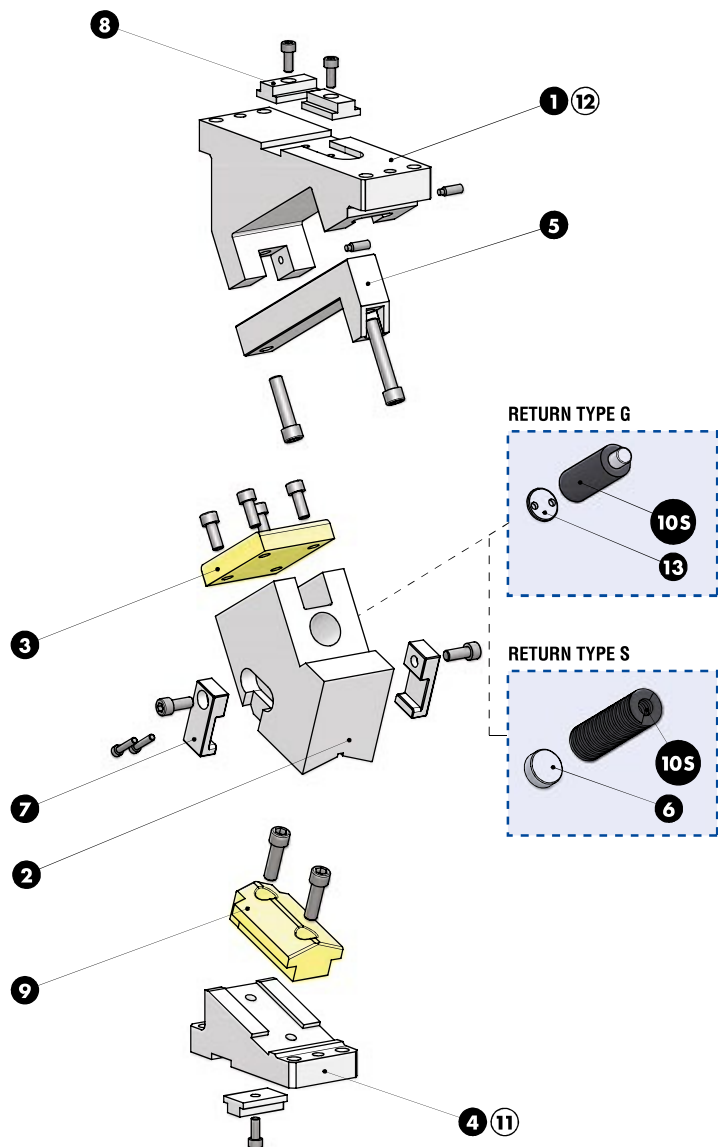
*Return Type: G = Gas Spring / S = Spring

		OPTION CODE		
STOCK	ORDER EXAMPLE	Art.	Work Angle = 5°	Return Type*
		CHD080	05	G
				SL
				SL55

OMCR CODE	Work Angle	Overall Dimensions (mm)				
	β	A	B	C	D	E
CHD080.00	0°	277	110	135	305	65
CHD080.05	5°	278,32	115,67	125	295	65
CHD080.10	10°	274,54	117,32	110	280	65
CHD080.15	15°	277,58	119,95	105	275	55
CHD080.20	20°	273,34	123,52	95	265	55
CHD080.25	25°	268,75	128,03	80	250	55
CHD080.30	30°	261,73	133,42	65	235	60
CHD080.35	35°	258,20	139,66	55	225	60
CHD080.40	40°	245,09	146,70	35	205	50
CHD080.45	45°	245,34	154,49	30	200	50
CHD080.50	50°	225,87	162,97	5	175	50
CHD080.55	55°	229,64	172,07	0	170	60
CHD080.60	60°	208,58	181,73	-20	150	50
CHD080.65	65°	203,67	191,87	-30	140	50



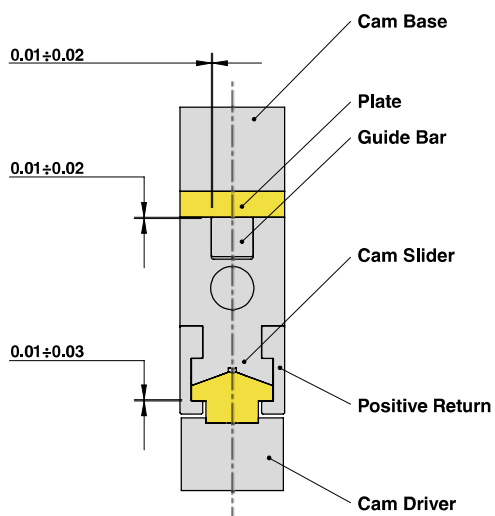
AERIAL CAM UNIT - OBEN HÄNGENDER SCHIEBER - UNITÀ A CAMME SOSPESA





AERIAL CAM UNIT - OBEN HÄNGENDER SCHIEBER - UNITÀ A CAMME SOSPESA

SLIDER STRUCTURE, POSITIVE RETURN STRUCTURE AND CLEARANCES



Cam Units CHD

PART LIST

Particular number	Description	Material	Quantity
1	Cam Base	GG-30	1
2	Cam Slider	GG-30	1
3	Plate	CuZn25Al5 + Graphite - HB > 190	1
4	Cam Driver	GG-30	1
5	Guide Bar	CK45 + Graphite	1
6	Spring Spacer	CK45	1
7	Positive Return	42CrMo4 Nitrided	2
8	Key	CK45	3
9	Male "V" Driver	CuZn25Al5 + Graphite - HB > 190	1
10G	Gas Spring - Return Type G	-	1
10S	Spring - Return Type S	-	1
11	Cam Driver Fixing Screws M12x50 DIN 912	-	4
12	Cam Base Fixing Screws M12x55 DIN 912	-	4
13	Gas Spring Spacer	CK45	1