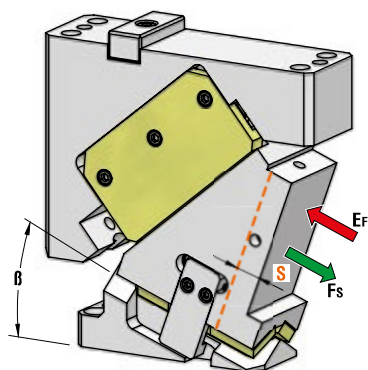




AERIAL CAM UNIT - OBEN HÄNGENDER SCHIEBER - UNITÀ A CAMME SOSPESA



P.605

OMCR CODE	Work Angle	Stroke (mm)	Max Work Force with shoulder (kN)	Extraction Force (kN)
	β	S	F _s	E _f Gas Spring
CHV060.00	0°	19,28	136	5,1
CHV060.05	5°	21,29	137	5,1
CHV060.10	10°	21,54	138	5,4
CHV060.15	15°	23,79	139	5,4
CHV060.20	20°	24,46	140	5,7
CHV060.25	25°	27,12	141	5,7
CHV060.30	30°	30	142	5,7
CHV060.35	35°	31,72	143	5,9
CHV060.40	40°	35,49	143	5,9
CHV060.45	45°	38,45	143	6,0
CHV060.50	50°	43,86	142	6,0
CHV060.55	55°	49,15	142	6,1
CHV060.60	60°	57,96	142	6,1
CHV060.65	65°	68,57	142	6,2
CHV060.70	70°	70,60	141	6,2
CHV060.75	75°	76,10	141	6,2

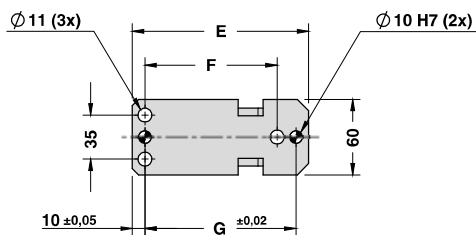
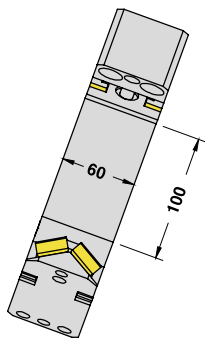
STOCK	ORDER EXAMPLE	Art.	Work Angle = 5°
		CHV060	05

OMCR CODE	Work Angle	Overall Dimensions (mm)										
		β	A	B	C	D	E	F	G	H	I	J
CHV060.00	0°	175	55	25	180	155	105	120	180	175	62,5	205
CHV060.05	5°	179,26	57,37	25	175	150	105	120	180	175	62,5	205
CHV060.10	10°	183,30	60,10	25	170	145	105	120	180	175	62,5	205
CHV060.15	15°	189,68	63,51	25	165	140	105	120	180	175	62,5	205
CHV060.20	20°	190,59	76,57	25	165	140	105	120	180	175	62,5	205
CHV060.25	25°	193,79	80,25	25	150	125	80	95	180	175	62,5	205
CHV060.30	30°	196,65	84,20	25	150	125	80	95	180	175	62,5	205
CHV060.35	35°	199,16	88,38	25	140	115	80	95	180	175	62,5	205
CHV060.40	40°	198,08	96,60	10	120	110	65	80	195	190	62,5	220
CHV060.45	45°	210,96	104,39	40	145	105	65	80	210	205	92,5	235
CHV060.50	50°	211,71	113,44	10	115	105	50	65	195	190	77,5	220
CHV060.55	55°	212,11	117,54	10	115	105	50	70	195	190	77,5	220
CHV060.60	60°	203,48	126,65	10	102	92	50	65	195	190	77,5	220
CHV060.65	65°	202,75	129,98	10	95	85	50	65	195	190	77,5	220
CHV060.70	70°	205,54	146,39	10	95	85	20	35	195	190	62,5	220
CHV060.75	75°	204,77	151,21	10	90	80	20	35	210	205	62,5	235

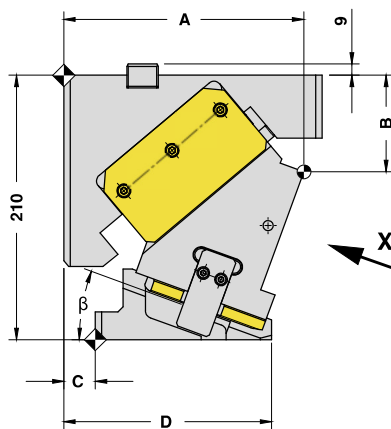
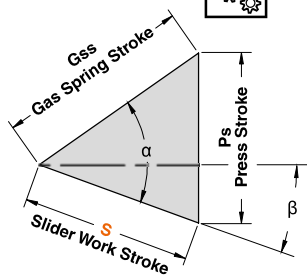


AERIAL CAM UNIT - OBEN HÄNGENDER SCHIEBER - UNITÀ A CAMME SOSPESA

X VIEW

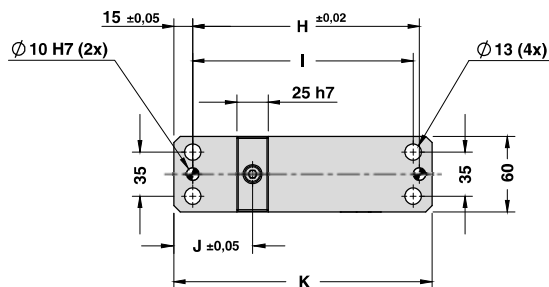


CAM DIAGRAM



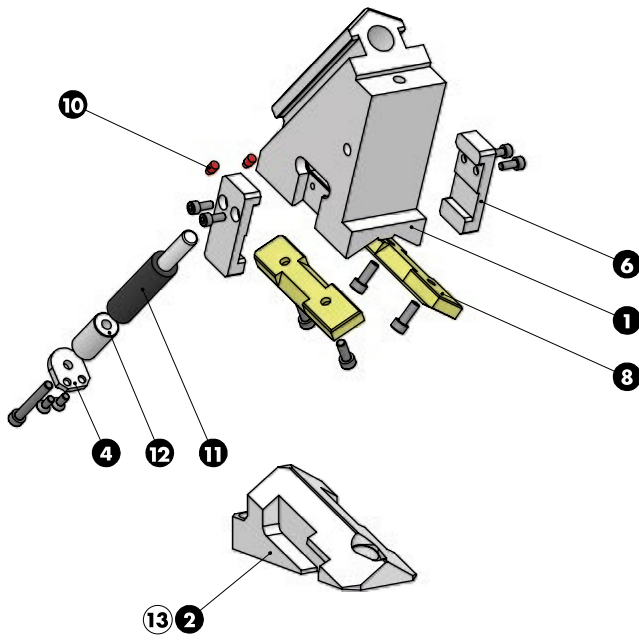
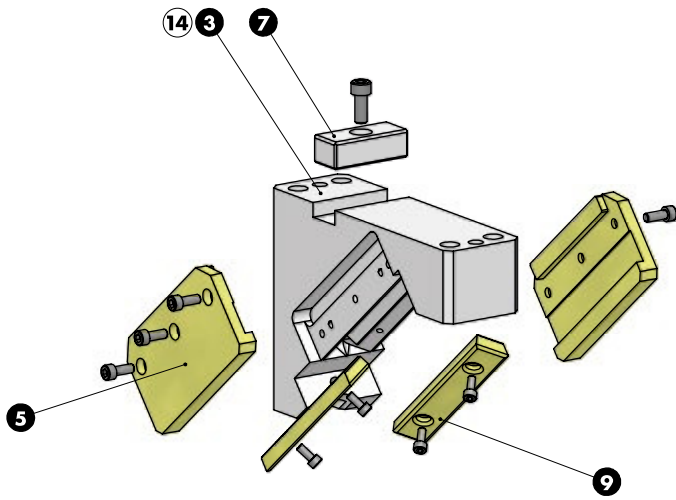
Cam Units CHV

Work Angle	Inner Angle	Slider Work Stroke (mm)	Press Stroke (mm)	Gas Spring Stroke (mm)
β	α	S	Ps	Gss
0°	50°	19,28	22,98	30
5°	50°	21,29	23,07	30
10°	55°	21,54	24,95	30
15°	55°	23,79	25,44	30
20°	60°	24,46	27,65	30
25°	60°	27,12	28,67	30
30°	60°	30,00	30,00	30
35°	65°	31,72	33,19	30
40°	65°	35,49	35,49	30
45°	70°	38,45	39,87	30
50°	70°	43,86	43,86	30
55°	75°	49,15	50,52	30
60°	75°	57,96	57,96	30
65°	80°	68,57	69,91	30
70°	85°	70,60	72,82	25
75°	85°	76,10	76,98	20





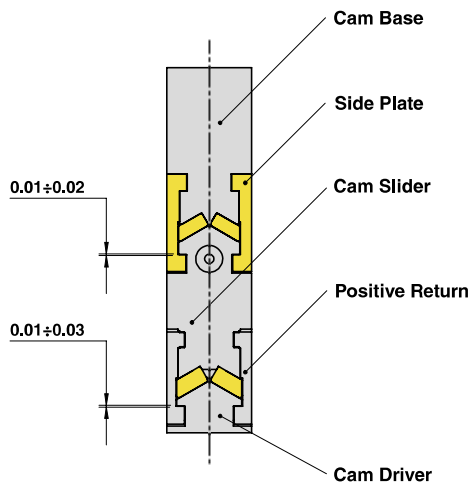
AERIAL CAM UNIT - OBEN HÄNGENDER SCHIEBER - UNITÀ A CAMME SOSPESA





AERIAL CAM UNIT - OBEN HÄNGENDER SCHIEBER - UNITÀ A CAMME SOSPESA

SLIDER STRUCTURE, POSITIVE RETURN STRUCTURE AND CLEARANCES



Cam Units CHV

PART LIST

Particular number	Description	Material	Quantity
1	Cam Slider	42CrMo4	1
2	Cam Driver	42CrMo4	1
3	Cam Base	42CrMo4	1
4	Lock Plate	42CrMo4	1
5	Side Plate	CuZn25Al5 + Graphite - HB > 190	2
6	Positive Return	42CrMo4 Nitrided	2
7	Key	CK45	1
8	Wear Plate	CuZn25Al5 + Graphite - HB > 190	2
9	Wear Plate	CuZn25Al5 + Graphite - HB > 190	2
10	Elastomer Cap	Elastomer 92SH	2
11	Gas Spring	-	1
12	Spring Spacer	CK45	1
13	Cam Driver Fixing Screws M10x30 DIN 912	-	3
14	Cam Base Fixing Screws M12x60 DIN 912	-	4
-	Lockout System	(more info on OMCR website)	1

