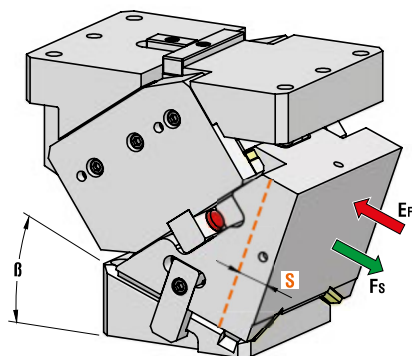




AERIAL CAM UNIT - OBEN HÄNGENDER SCHIEBER - UNITÀ A CAMME SOSPESA



P.605

OMCR CODE	Work Angle	Stroke (mm)	Max Work Force with shoulder (kN)	Extraction Force (kN)
				Ef
	β	S	Fs	Gas Spring
CHV220.00	0°	32,14	635	18,8
CHV220.05	5°	35,49	648	19,3
CHV220.10	10°	35,90	661	20,1
CHV220.15	15°	39,65	674	20,9
CHV220.20	20°	43,59	687	21,8
CHV220.25	25°	45,19	700	22,7
CHV220.30	30°	50	714	24,1
CHV220.35	35°	52,86	727	24,8
CHV220.40	40°	59,16	727	26,8
CHV220.45	45°	64,09	728	27,5
CHV220.50	50°	73,10	729	30,4
CHV220.55	55°	81,92	729	31,1
CHV220.60	60°	96,59	730	35,3
CHV220.65	65°	91,42	730	37,1
CHV220.70	70°	100,78	731	43,9
CHV220.75	75°	95,13	732	44,5



Art.	Work Angle = 5°
CHV220	05

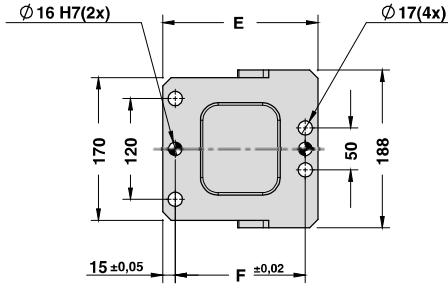
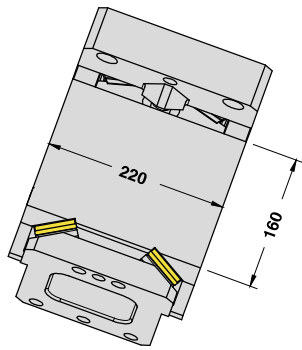
OMCR CODE	Work Angle	Overall Dimensions (mm)										
		β	A	B	C	D	E	F	G	H	I	J
CHV220.00	0°	308	60	80	295	215	155	25	280	64	127	320
CHV220.05	5°	317,63	64,37	80	290	210	155	25	280	71,5	134,5	320
CHV220.10	10°	323,81	89,28	80	280	200	155	25	280	79	142	320
CHV220.15	15°	331,70	94,96	80	270	190	155	25	280	88	151	320
CHV220.20	20°	337,80	106,02	80	265	185	155	25	280	95,5	158,5	320
CHV220.25	25°	345,05	112,89	60	255	195	150	15	330	104,5	167,5	360
CHV220.30	30°	357,11	116,73	60	250	190	150	15	330	112	175	360
CHV220.35	35°	362,94	132,76	60	245	185	150	15	330	119,5	182,5	360
CHV220.40	40°	373,16	142,98	60	240	180	150	15	330	127	190	360
CHV220.45	45°	348,64	154,39	45	205	160	130	15	335	98	161	365
CHV220.50	50°	355,42	170,24	45	205	160	130	15	335	104	167	365
CHV220.55	55°	361,67	186,67	45	206	161	130	15	335	89,5	152,5	365
CHV220.60	60°	371,66	201,11	45	204	159	130	15	335	96,5	159,5	365
CHV220.65	65°	367,84	213,13	45	206	161	130	15	335	96,5	159,5	365
CHV220.70	70°	372,05	220,55	45	208	163	130	15	335	96,5	159,5	365
CHV220.75	75°	352,07	246,93	35	180	145	115	15	335	96,5	159,5	365



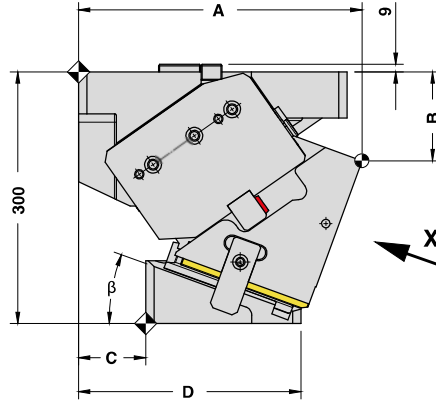
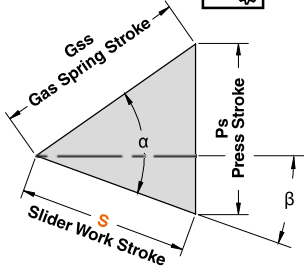


AERIAL CAM UNIT - OBEN HÄNGENDER SCHIEBER - UNITÀ A CAMME SOSPESA

X VIEW

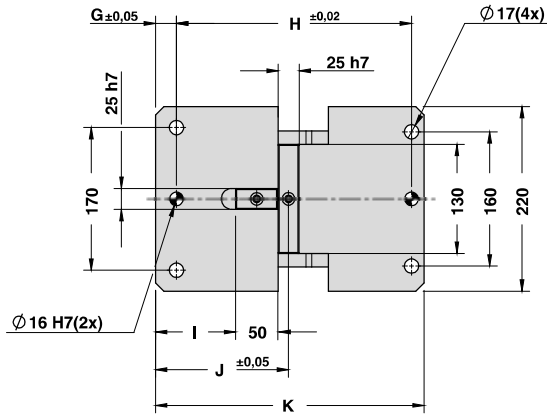


CAM DIAGRAM



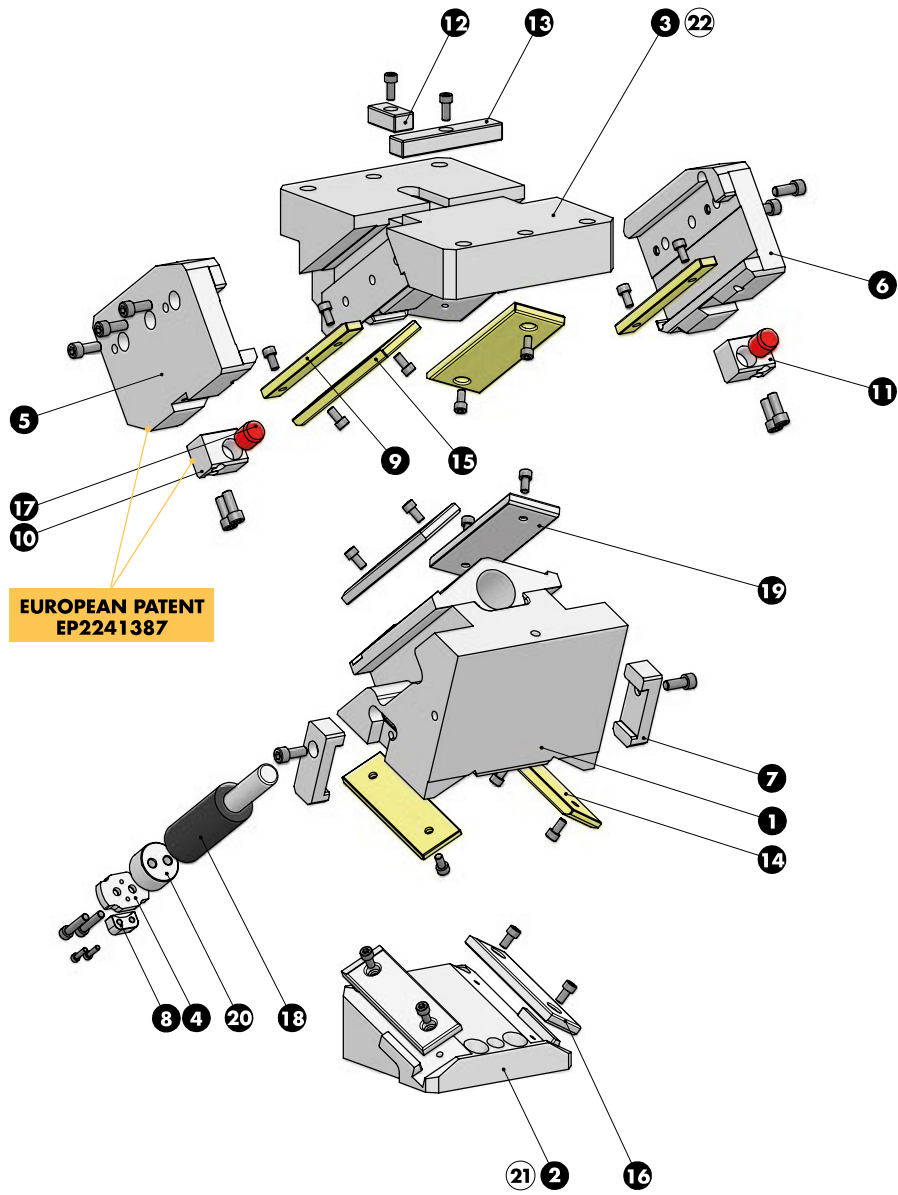
Cam Units CHV

Work Angle	Inner Angle	Slider Work Stroke (mm)	Press Stroke (mm)	Gas Spring Stroke (mm)
β	α	S	Ps	Gss
0°	50°	32,14	38,30	50
5°	50°	35,49	38,45	50
10°	55°	35,90	41,59	50
15°	55°	39,65	42,40	50
20°	55°	43,59	43,59	50
25°	60°	45,19	47,78	50
30°	60°	50,00	50,00	50
35°	65°	52,86	55,32	50
40°	65°	59,16	59,16	50
45°	70°	64,09	66,45	50
50°	70°	73,10	73,10	50
55°	75°	81,92	84,20	50
60°	75°	96,59	96,59	50
65°	80°	91,42	93,21	40
70°	80°	100,78	100,78	35
75°	85°	95,13	96,23	25





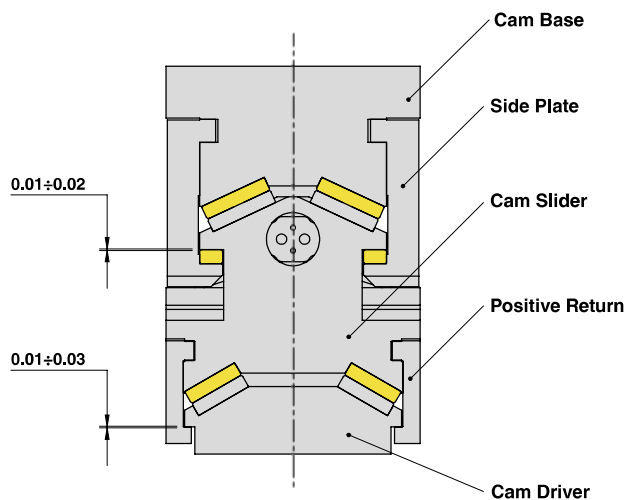
AERIAL CAM UNIT - OBEN HÄNGENDER SCHIEBER - UNITÀ A CAMME SOSPESA





AERIAL CAM UNIT - OBEN HÄNGENDER SCHIEBER - UNITÀ A CAMME SOSPESA

SLIDER STRUCTURE, POSITIVE RETURN STRUCTURE AND CLEARANCES



PART LIST

Particular number	Description	Material	Quantity
1	Cam Slider	GGG-60	1
2	Cam Driver	GGG-60	1
3	Cam Base	GGG-60	1
4	Lock Plate	42CrMo4	1
5	Side Plate L	42CrMo4	1
6	Side Plate R	42CrMo4	1
7	Positive Return	42CrMo4 Nitrided	2
8	Safety Plate	CK45	1
9	Wear Plate	CuZn25Al5 + Graphite - HB > 190	2
10	Slide Reaction L	CK45	1
11	Slide Reaction R	CK45	1
12	Key	CK45	1
13	Key	CK45	1
14	Wear Plate VDI 3357	CuZn25Al5 + Graphite - HB > 190	2
15	Wear Plate VDI 3357	CuZn25Al5 + Graphite - HB > 190	2
16	Wear Plate VDI 3357	16MnCr5 - HRC 58-60	2
17	Elastomer Cap	Elastomer 92SH	2
18	Gas Spring	-	1
19	Wear Plate VDI 3357	16MnCr5 - HRC 58-60	2
20	Spring Spacer	CK45	1
21	Cam Driver Fixing Screws M16x55 DIN 912	-	4
22	Cam Base Fixing Screws M16x65 DIN 912	-	4
-	Lockout System	(more info on OMCR website)	1

Cam Units CHV

