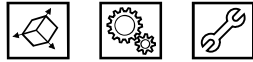
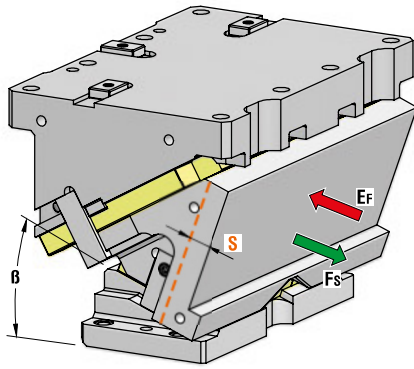




AERIAL CAM UNIT - OBEN HÄNGENDER SCHIEBER - UNITÀ A CAMME SOSPESA



P.605

OMCR CODE	Work Angle β	Stroke (mm) S	Max Work Force with shoulder (kN) F_s	Extraction Force (kN) E_f	
				Spring	Gas Spring
CLB500.00	0°	38,57	743	8,19	34,25
CLB500.05	5°	42,59	743	8,19	34,25
CLB500.10	10°	46,67	743	8,19	34,25
CLB500.15	15°	50,88	743	8,19	34,25
CLB500.20	20°	55,30	743	8,19	34,25
CLB500.25	25°	60	743	8,19	34,25
CLB500.30	30°	65,10	743	8,19	34,25
CLB500.35	35°	70,75	743	8,19	34,25
CLB500.40	40°	77,13	743	8,19	34,25
CLB500.45	45°	84,53	743	8,19	34,25
CLB500.50	50°	93,34	743	8,19	34,25
CLB500.55	55°	104,61	743	6,37	26,64
CLB500.60	60°	120	743	6,37	26,64

Return Type: G = Gas Spring / S = Spring

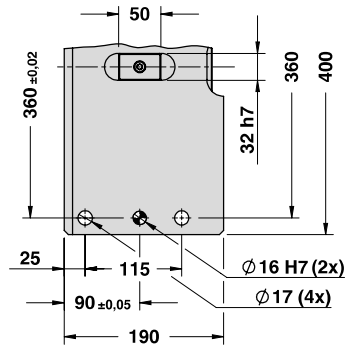
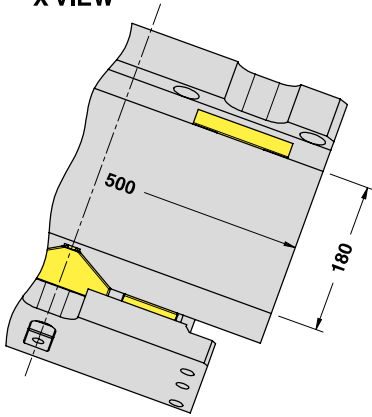
15	ORDER EXAMPLE	Art.	Work Angle = 5°	Return type
		CLB500	05	G

OMCR CODE	Work Angle	Overall Dimensions (mm)			
		β	A	B	C
CLB500.00	0°	313	58	138	328
CLB500.05	5°	320,64	64,34	125	315
CLB500.10	10°	331,08	72,47	115	305
CLB500.15	15°	336,17	82,37	100	290
CLB500.20	20°	340,76	94	85	275
CLB500.25	25°	344,69	102,32	70	260
CLB500.30	30°	347,83	112,25	55	245
CLB500.35	35°	355,03	123,73	45	235
CLB500.40	40°	351,17	136,66	25	215
CLB500.45	45°	356,12	150,95	15	205
CLB500.50	50°	348,77	161,49	-6	184
CLB500.55	55°	352,01	178,16	-15	175
CLB500.60	60°	332,75	195,83	-45	145

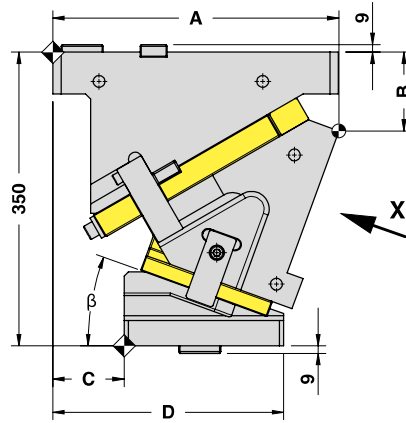
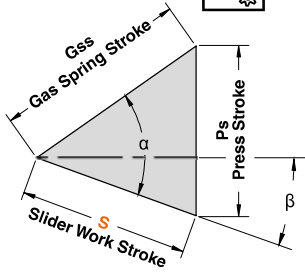


AERIAL CAM UNIT - OBEN HÄNGENDER SCHIEBER - UNITÀ A CAMME SOSPESA

X VIEW

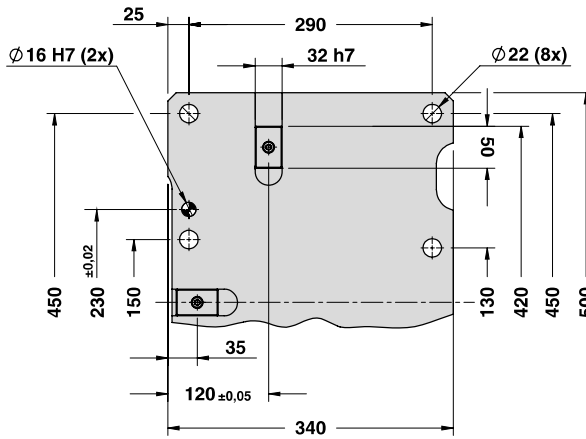


CAM DIAGRAM



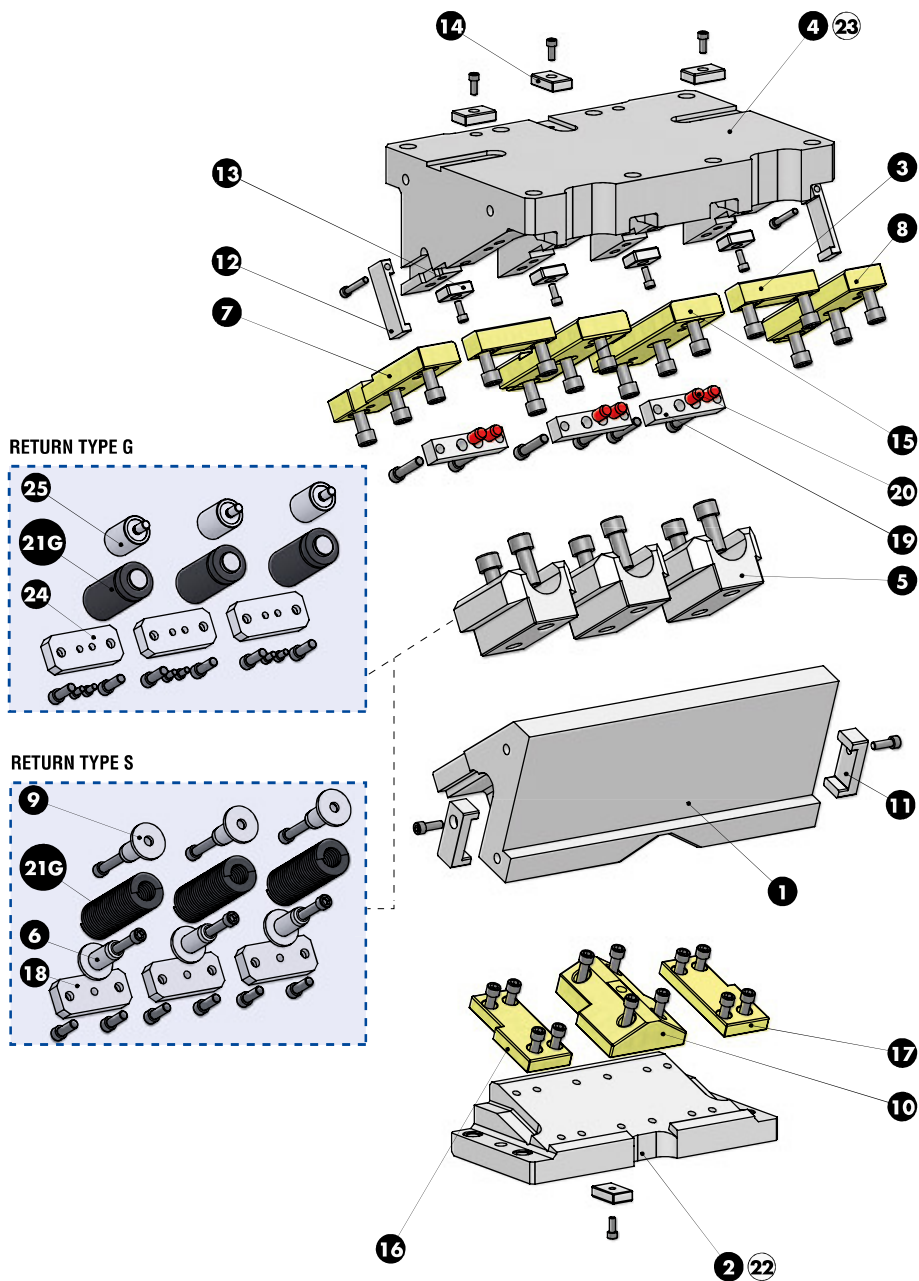
Cam Units CLB

Work Angle	Inner Angle	Slider Work Stroke (mm)	Press Stroke (mm)	Gas Spring Stroke (mm)
β	α	S	Ps	Gss
0°	50°	38,57	45,96	60
5°	50°	42,59	46,14	60
10°	50°	46,67	46,67	60
15°	50°	50,88	47,58	60
20°	50°	55,30	48,91	60
25°	50°	60,00	50,71	60
30°	50°	65,10	53,07	60
35°	50°	70,75	56,11	60
40°	50°	77,13	60,00	60
45°	50°	84,53	65,00	60
50°	50°	93,34	71,51	60
55°	55°	104,61	85,69	60
60°	60°	120,00	103,92	60





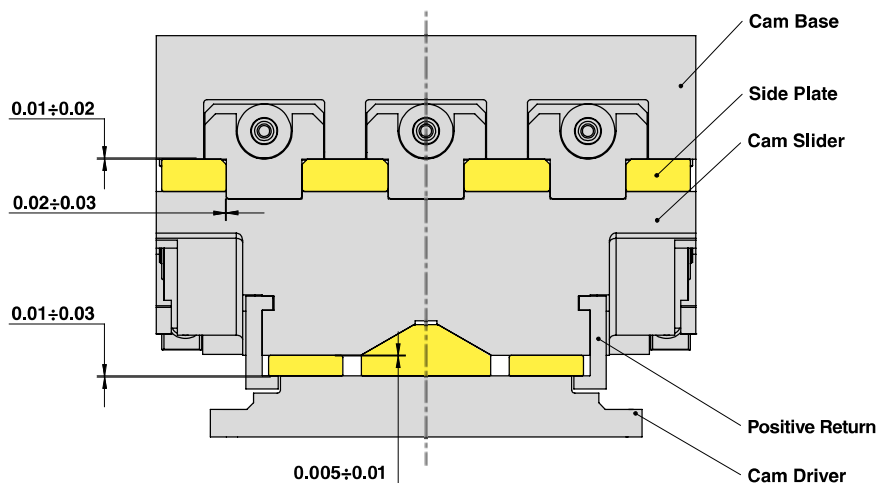
AERIAL CAM UNIT - OBEN HÄNGENDER SCHIEBER - UNITÀ A CAMME SOSPESA





AERIAL CAM UNIT - OBEN HÄNGENDER SCHIEBER - UNITÀ A CAMME SOSPESA

SLIDER STRUCTURE, POSITIVE RETURN STRUCTURE AND CLEARANCES



PART LIST

Particular number	Description	Material	Quantity
1	Cam Slider	GG-30	1
2	Cam Driver	GG-30	1
3	Plate	CuZn25Al5 + Graphite - HB > 190	2
4	Cam Base	GG-30	1
5	Spring Guide Block	CK45 + Graphite	3
6	Spring Guide Pin	CK45	6
7	Side Plate L	CuZn25Al5 + Graphite - HB > 190	1
8	Side Plate R	CuZn25Al5 + Graphite - HB > 190	1
9	Washer	CK45	6
10	Male "V" Driver	CuZn25Al5 + Graphite - HB > 190	1
11	Positive Return	42CrMo4 Nitrided	2
12	Positive Return	CK45	2
13	Key	CK45	4
14	Key	CK45	4
15	Wear Plate	CuZn25Al5 + Graphite - HB > 190	2
16	Wear Plate L	CuZn25Al5 + Graphite - HB > 190	1
17	Wear Plate R	CuZn25Al5 + Graphite - HB > 190	1
18	Spring Stopper Plate	CK45	3
19	Stopper Plate	CK45	3
20	Elastomer Cap	Elastomer 92SH	6
21G	Gas Spring - Return Type G	-	3
21S	Spring - Return Type S	-	3
22	Cam Driver Fixing Screws M16x60 DIN 912	-	4
23	Cam Base Fixing Screws M20x75 DIN 912	-	8
24	Gas Spring Stopper Plate	CK45	3
25	Gas Spring Reaction	CK45	3

Cam Units CLB