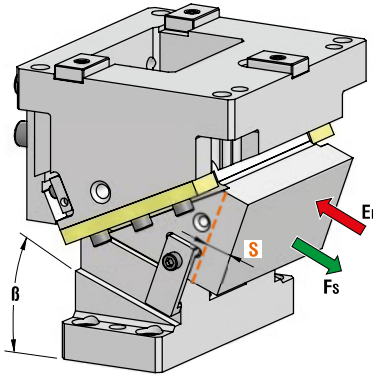
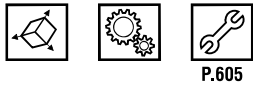


AERIAL CAM UNIT - OBEN HÄNGENDER SCHIEBER - UNITÀ A CAMME SOSPESA



OMCR CODE	Work Angle	Stroke (mm)	Max Work Force with shoulder (kN)	Extraction Force (kN)
	$\beta$	S	F <sub>s</sub>	E <sub>f</sub> Spring
CHK200.00	0°	28,28	231	4,21
CHK200.10	10°	33,27	231	4,21
CHK200.20	20°	30,86	231	3,71
CHK200.30	30°	33,46	231	4,20
CHK200.40	40°	39,01	231	4,20
CHK200.50	50°	46,67	231	3,81
CHK200.60	60°	60	231	2,97
CHK200.70	70°	58,48	231	1,98

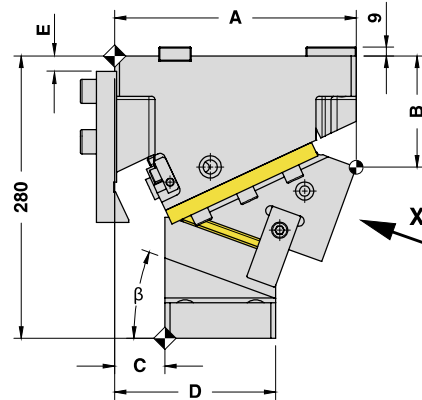
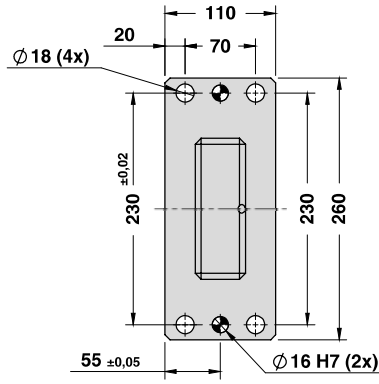
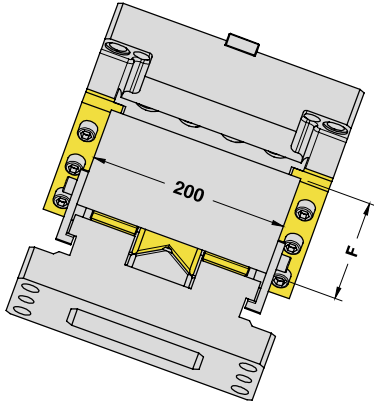


		Art.	Work Angle = 10°
		CHK200	10

OMCR CODE	Work Angle	Overall Dimensions (mm)							
	$\beta$	A	B	C	D	E	F	G	H
CHK200.00	0°	240	85	80	190	55	100	17	190
CHK200.10	10°	240	90	60	170	35	100	17	150
CHK200.20	20°	240	110	50	160	15	100	18	150
CHK200.30	30°	240	110	30	140	10	120	17	150
CHK200.40	40°	240	115	30	140	10	120	17	150
CHK200.50	50°	240	120	10	120	0	140	16	150
CHK200.60	60°	240	145	0	110	0	140	16	150
CHK200.70	70°	240	145	0	110	0	140	16	150

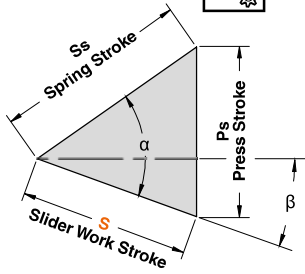
AERIAL CAM UNIT - OBEN HÄNGENDER SCHIEBER - UNITÀ A CAMME SOSPESA

X VIEW

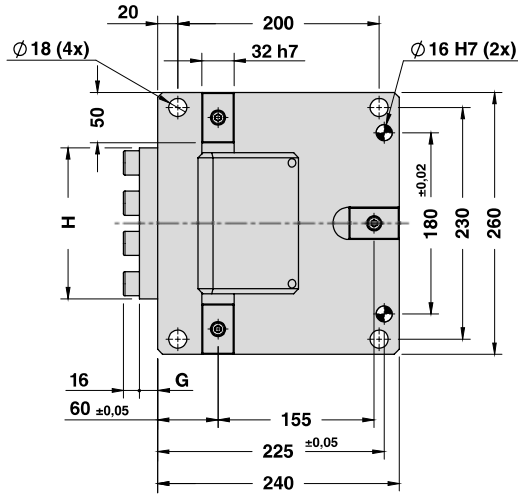


Cam Units CHK

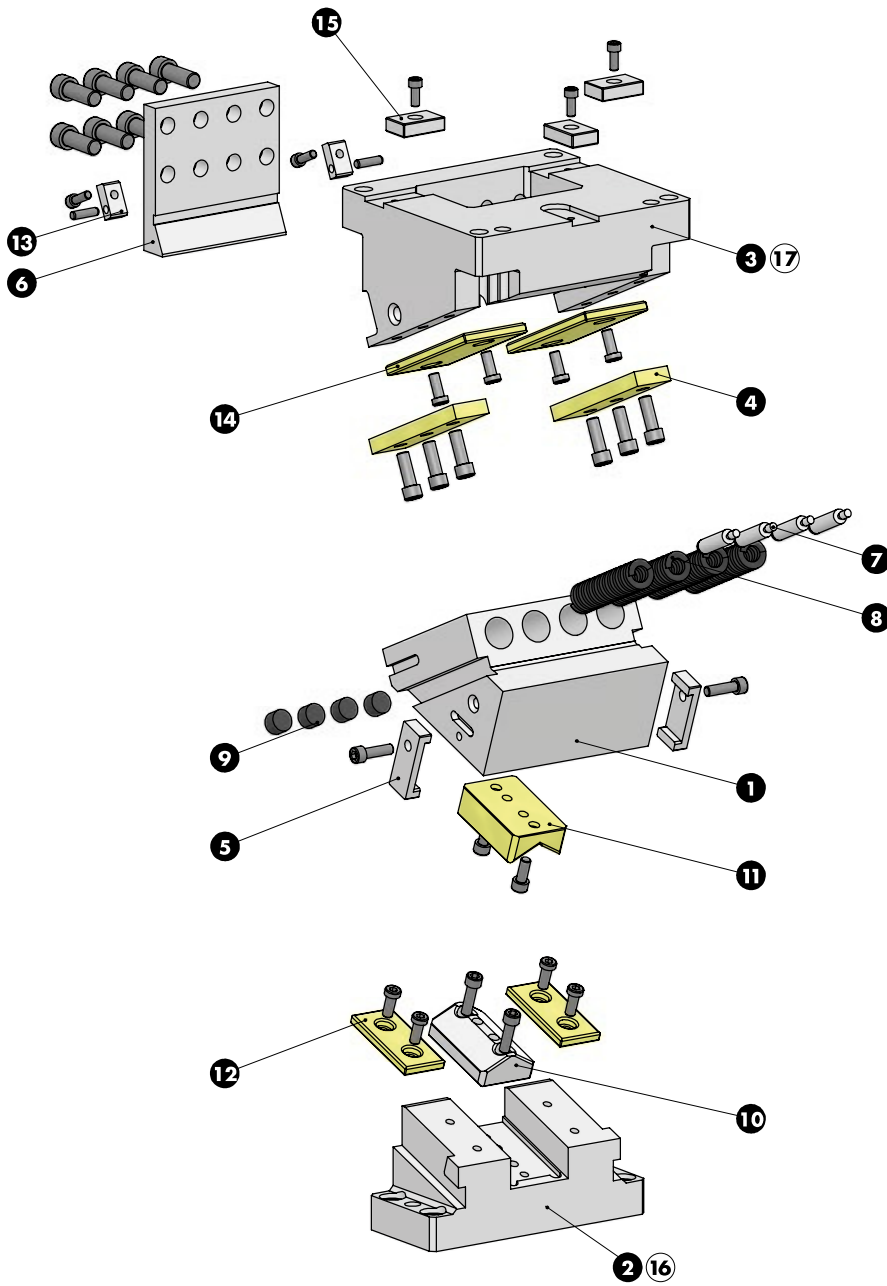
CAM DIAGRAM



Work Angle	Inner Angle	Slider Work Stroke (mm)	Press Stroke (mm)	Spring Stroke (mm)
β	α	S	Ps	Ss
0°	45°	28,28	28,28	40
10°	45°	33,27	28,72	40
20°	45°	30,86	24,08	32
30°	45°	33,46	24,49	30
40°	45°	39,01	27,69	30
50°	50°	46,67	35,75	30
60°	60°	60,00	51,96	30
70°	70°	58,48	54,95	20

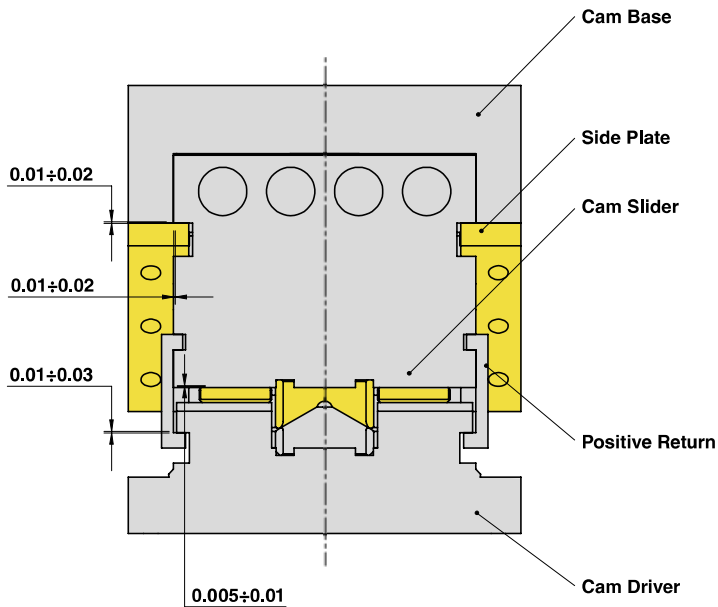


AERIAL CAM UNIT - OBEN HÄNGENDER SCHIEBER - UNITÀ A CAMME SOSPESA



AERIAL CAM UNIT - OBEN HÄNGENDER SCHIEBER - UNITÀ A CAMME SOSPESA

SLIDER STRUCTURE, POSITIVE RETURN STRUCTURE AND CLEARANCES



Cam Units CHK

PART LIST

Particular number	Description	Material	Quantity
1	Cam Slider	GG-25 + Graphite	1
2	Cam Driver	GG-25 + Graphite	1
3	Cam Base	GG-25	1
4	Side Plate	CuZn25Al5 + Graphite - HB > 190	2
5	Positive Return	CK45	2
6	Stopper Plate	St44	1
7	Spring Guide Pin	34CrMo4	4
8	Spring	-	4
9	Elastomer Cap	Elastomer 92SH	4
10	Male "V" Driver	CK45	1
11	Female "V" Driver	CuZn25Al5+ Graphite - HB > 190	1
12	Wear Plate	CuZn25Al5+ Graphite - HB > 190	2
13	Plate	CK45	2
14	Wear Plate	CuZn25Al5 - HB > 190	2
15	Key	CK45	3
16	Cam Driver Fixing Screws M16x60 DIN 912	-	4
17	Cam Base Fixing Screws M16x70 DIN 912	-	4