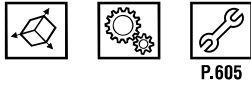
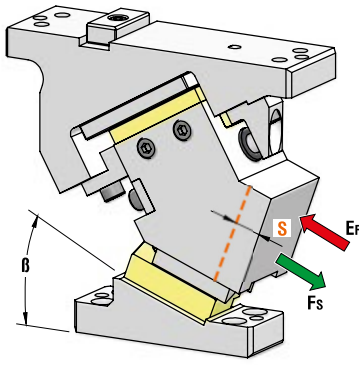


AERIAL CAM UNIT - OBEN HÄNGENDER SCHIEBER - UNITÀ A CAMME SOSPESA



OMCR CODE	Work Angle	Stroke (mm)	Max Work Force with shoulder (kN)	Extraction Force (kN)	
	β	S	F _s	Spring	Gas Spring
CHR070.00	0°	19,28	90	0,38	1,74
CHR070.05	5°	21,29	90	0,38	1,74
CHR070.10	10°	23,34	90	0,38	1,74
CHR070.15	15°	25,44	90	0,38	1,74
CHR070.20	20°	27,65	90	0,38	1,74
CHR070.25	25°	30	90	0,38	1,74
CHR070.30	30°	32,55	90	0,38	1,74
CHR070.35	35°	35,38	90	0,38	1,74
CHR070.40	40°	38,57	90	0,38	1,74
CHR070.45	45°	42,26	90	0,38	1,74
CHR070.50	50°	46,67	90	0,38	1,74
CHR070.55	55°	43,59	90	0,28	1,49
CHR070.60	60°	50	90	0,25	1,30

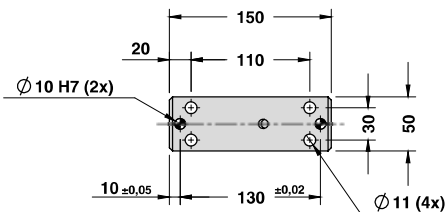
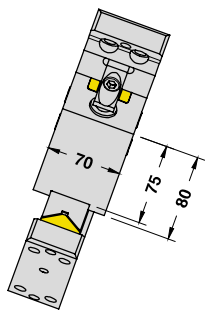
*Return Type: G = Gas Spring / S = Spring

		Art.	Work Angle = 5°	Return Type*
		CHR070	05	G

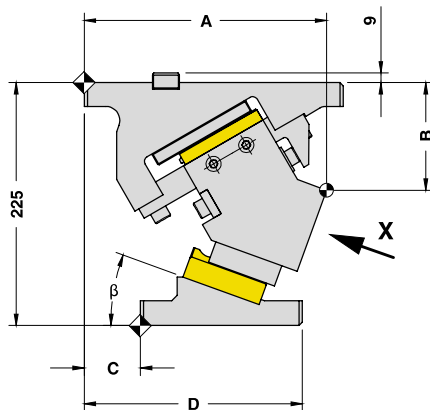
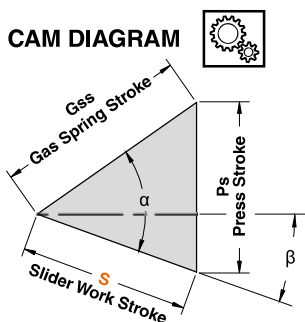
OMCR CODE	Work Angle	Overall Dimensions (mm)				
	β	A	B	C	D	E
CHR070.00	0°	237,37	85	102	252	81,37
CHR070.05	5°	234,87	86,28	92	242	81,53
CHR070.10	10°	232,82	88,76	81	231	80,24
CHR070.15	15°	217,54	96,59	57	207	66,67
CHR070.20	20°	224,52	99,67	52	202	75,62
CHR070.25	25°	223,46	105,45	42	192	75,76
CHR070.30	30°	211,54	112,99	30	180	66,03
CHR070.35	35°	210,68	117,20	17	167	66,86
CHR070.40	40°	204,84	125,07	4	154	63,69
CHR070.45	45°	198,15	131,28	-2	148	58,40
CHR070.50	50°	190,95	135,15	-21	129	49,59
CHR070.55	55°	190,51	146	-23	127	56,02
CHR070.60	60°	185,81	155,86	-35	115	56,99

AERIAL CAM UNIT - OBEN HÄNGENDER SCHIEBER - UNITÀ A CAMME SOSPESA

X VIEW

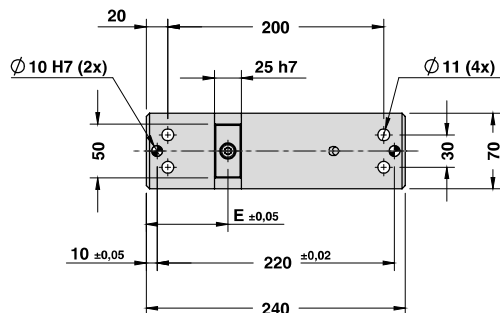


CAM DIAGRAM

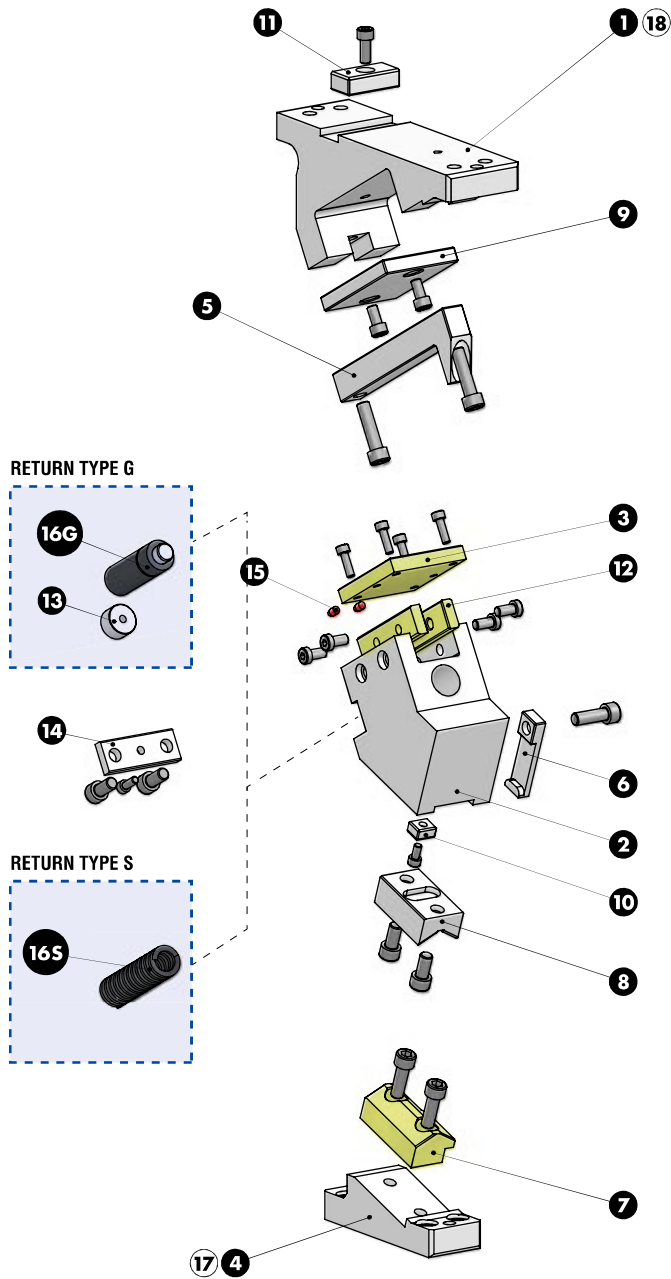


Cam Units CHR

Work Angle	Inner Angle	Slider Work Stroke (mm)	Press Stroke (mm)	Gas Spring Stroke (mm)
β	α	S	Ps	Gss
0°	50°	19,28	22,98	30
5°	50°	21,29	23,07	30
10°	50°	23,34	23,34	30
15°	50°	25,44	23,79	30
20°	50°	27,65	24,46	30
25°	50°	30,00	25,36	30
30°	50°	32,55	26,54	30
35°	50°	35,38	28,06	30
40°	50°	38,57	30,00	30
45°	50°	42,26	32,50	30
50°	50°	46,67	35,75	30
55°	55°	43,59	35,70	25
60°	60°	50,00	43,30	25

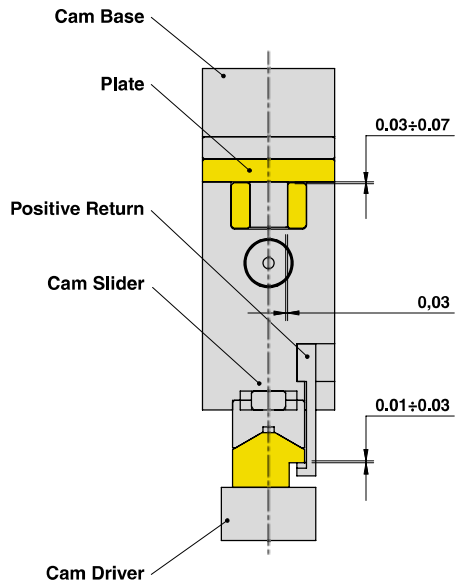


AERIAL CAM UNIT - OBEN HÄNGENDER SCHIEBER - UNITÀ A CAMME SOSPESA



AERIAL CAM UNIT - OBEN HÄNGENDER SCHIEBER - UNITÀ A CAMME SOSPESA

SLIDER STRUCTURE, POSITIVE RETURN STRUCTURE AND CLEARANCES



Cam Units CHR

PART LIST

Particular number	Description	Material	Quantity
1	Cam Base	GGG-50	1
2	Cam Slider	GGG-50	1
3	Plate	CuZn25Al5 + Graphite - HB > 190	1
4	Cam Driver	GG-25	1
5	Guide Bar	CK45	1
6	Positive Return	CK45	1
7	Male "V" Driver	CuZn25Al5 + Graphite - HB > 190	1
8	Female "V" Driver	CK45	1
9	Wear Plate	CK45	1
10	Key	CK45	1
11	Key	CK45	1
12	Wear Plate	CuZn25Al5 + Graphite - HB > 190	2
13	Spring Spacer	CK45	1
14	Spring Stopper Plate	CK45	1
15	Elastomer Cap	Elastomer 92SH	2
16G	Gas Spring - Return Type G	-	1
16S	Spring - Return Type S	-	1
17	Cam Driver Fixing Screws M12x50 DIN 912	-	4
18	Cam Base Fixing Screws M12x50 DIN 912	-	4