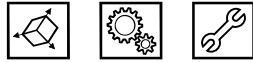
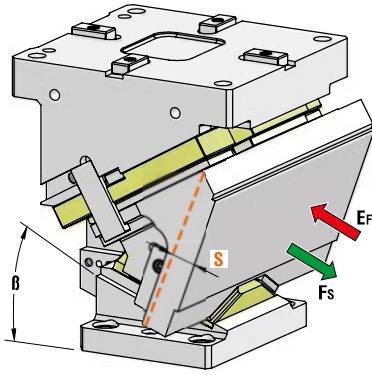


AERIAL CAM UNIT - OBEN HÄNGENDER SCHIEBER - UNITÀ A CAMME SOSPESA



P.605

OMCR CODE	Work Angle β	Stroke (mm) S	Max Work Force with shoulder (kN) F _s	Extraction Force (kN) E _f	
				Spring	Gas Spring
CHR400.00	0°	38,57	521	5,09	9,40
CHR400.05	5°	42,59	521	5,09	9,40
CHR400.10	10°	46,67	521	5,09	9,40
CHR400.15	15°	50,88	521	5,09	9,40
CHR400.20	20°	55,30	521	5,09	9,40
CHR400.25	25°	60	521	5,09	9,40
CHR400.30	30°	65,10	521	5,09	9,40
CHR400.35	35°	70,75	521	5,09	9,40
CHR400.40	40°	77,13	521	5,09	9,40
CHR400.45	45°	84,53	521	5,09	9,40
CHR400.50	50°	79,34	521	4,36	8,80
CHR400.55	55°	88,92	521	3,89	7,85
CHR400.60	60°	102	521	3,39	6,85

OPTION CODE

N	Dowel pin hole Ø16 H7 drilled on Cam Base
---	---

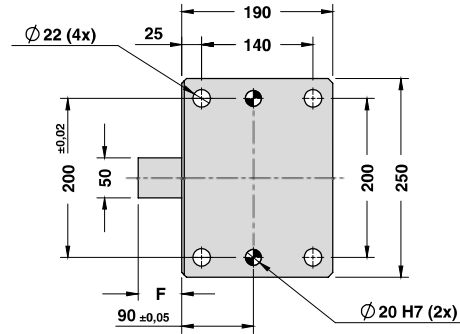
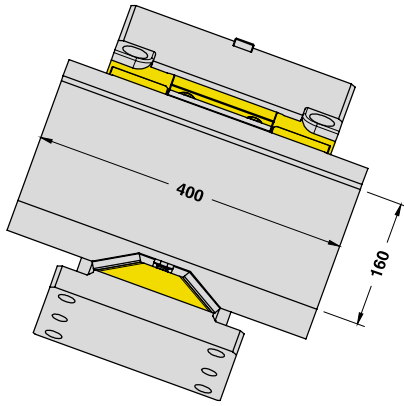
*Return Type: G = Gas Spring / S = Spring

				OPTION CODE
		Art.	Work Angle = 5°	Return Type*
		CHR400	05	G
				N
				N16

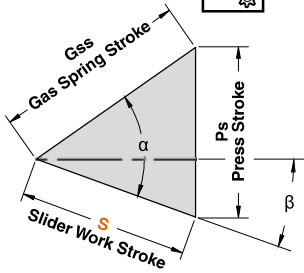
OMCR CODE	Work Angle β	Overall Dimensions (mm)					
		A	B	C	D	E	F
CHR400.00	0°	313	98	138	328	119,50	55
CHR400.05	5°	317,15	104,18	125	315	127,13	55
CHR400.10	10°	324,13	111,86	115	305	138,04	55
CHR400.15	15°	325,82	121,01	100	290	144,41	55
CHR400.20	20°	327,08	131,59	85	275	151,45	55
CHR400.25	25°	334,71	138,65	75	265	164,01	50
CHR400.30	30°	327,83	146,89	55	245	159,87	45
CHR400.35	35°	334,51	159,17	45	235	169,57	35
CHR400.40	40°	325,46	167,30	25	215	159,82	30
CHR400.45	45°	324,84	179,23	7	197	160,54	30
CHR400.50	50°	306,63	196,84	-35	155	137,58	0
CHR400.55	55°	277,93	229,29	-85	105	120,29	0
CHR400.60	60°	286,45	245,64	-85	105	124,79	0

AERIAL CAM UNIT - OBEN HÄNGENDER SCHIEBER - UNITÀ A CAMME SOSPESA

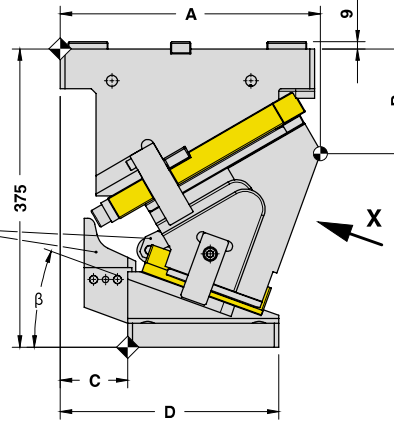
X VIEW



CAM DIAGRAM

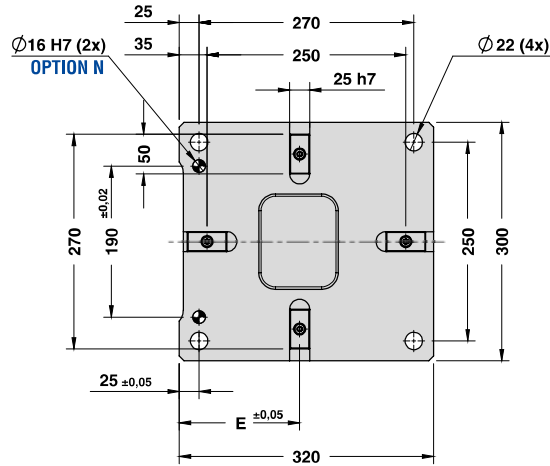


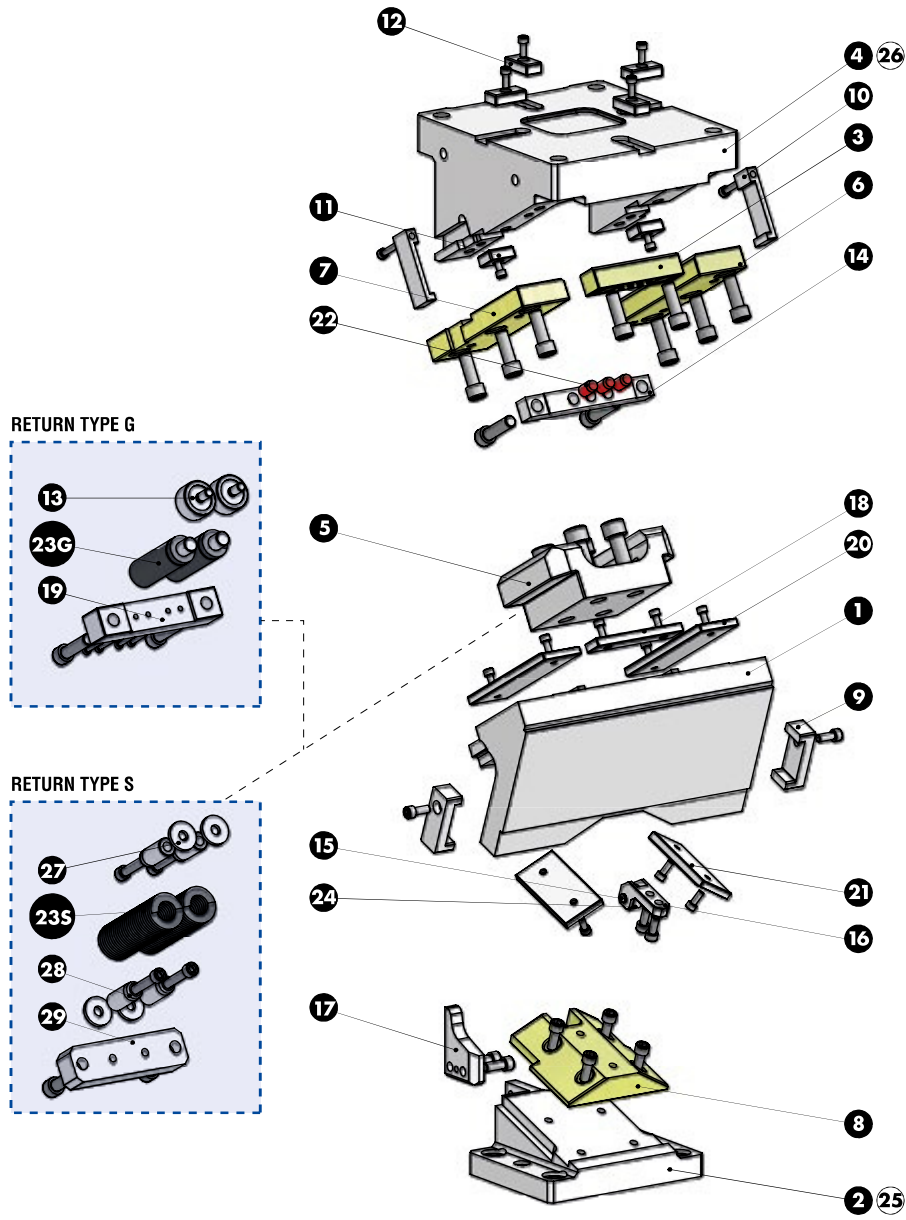
Accelerator available for work angles from 0° to 25°



Cam Units CHR

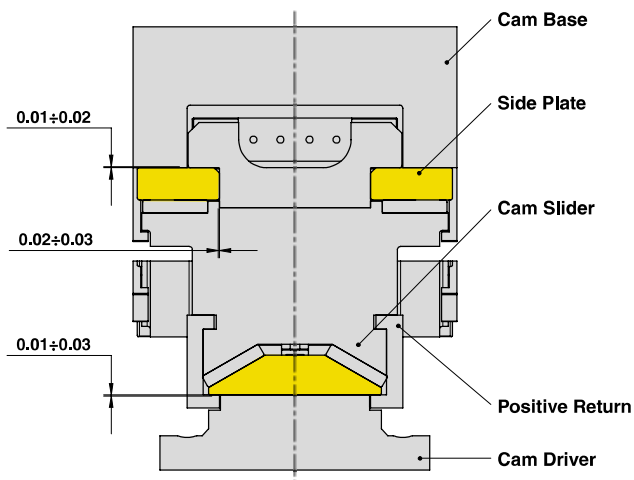
Work Angle	Inner Angle	Slider Work Stroke (mm)	Press Stroke (mm)	Gas Spring Stroke (mm)
β	α	S	Ps	Gss
0°	50°	38,57	45,96	60
5°	50°	42,59	46,14	60
10°	50°	46,67	46,67	60
15°	50°	50,88	47,58	60
20°	50°	55,30	48,91	60
25°	50°	60,00	50,71	60
30°	50°	65,10	53,07	60
35°	50°	70,75	56,11	60
40°	50°	77,13	60,00	60
45°	50°	84,53	65,00	60
50°	50°	79,34	60,78	51
55°	55°	88,92	72,84	51
60°	60°	102,00	88,33	51





AERIAL CAM UNIT - OBEN HÄNGENDER SCHIEBER - UNITÀ A CAMME SOSPESA

SLIDER STRUCTURE, POSITIVE RETURN STRUCTURE AND CLEARANCES



PART LIST

Particular number	Description	Material	Quantity
1	Cam Slider	GG-25	1
2	Cam Driver	GG-25	1
3	Plate	CuZn25Al5 + Graphite - HB > 190	1
4	Cam Base	GG-25	1
5	Spring Guide Block	CK45 + Graphite	1
6	Side Plate R	CuZn25Al5 + Graphite - HB > 190	1
7	Side Plate L	CuZn25Al5 + Graphite - HB > 190	1
8	Male "V" Driver	CuZn25Al5 + Graphite - HB > 190	1
9	Positive Return	42CrMo4 Nitrided	2
10	Positive Return	CK45	2
11	Key	CK45	2
12	Key	CK45	4
13	Spring Guide Pin	CK45	2
14	Stopper Plate	CK45	1
15	Shaft	CK45	1
16	Roller Bracket	CK45	1
17	Accelerator	CK45	1
18	Plate	CK45	1
19	Spring Stopper Plate	CK45	1
20	Wear Plate VDI 3357	CK45	2
21	Wear Plate VDI 3357	CK45	2
22	Elastomer Cap	Elastomer 92SH	3
23G	Gas Spring - Return Type G	-	2
23S	Spring - Return Type S	-	2
24	Roller	NATR15PP	1
25	Cam Driver Fixing Screws M20x65 DIN 912	-	4
26	Cam Base Fixing Screws M20x75 DIN 912	-	4
27	Washer	CK45	2
28	Spring Guide Pin	CK45	2
29	Spring Stopper Plate	CK45	1

Cam Units CHR