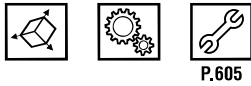
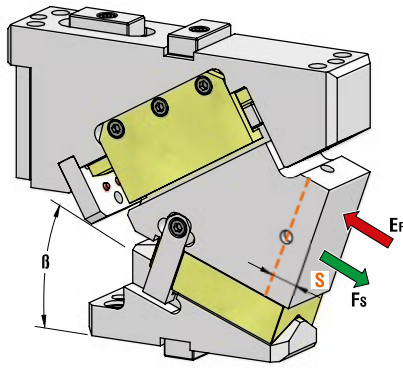


AERIAL CAM UNIT - OBEN HÄNGENDER SCHIEBER - UNITÀ A CAMME SOSPESA



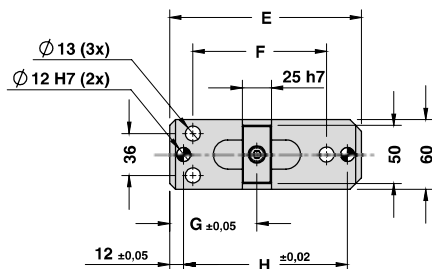
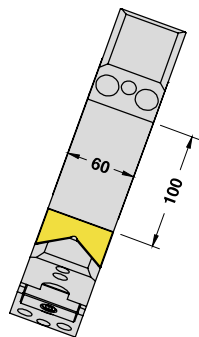
OMCR CODE	Work Angle	Max Stroke (mm)	Max Work Force with shoulder (kN)	Extraction Force (kN)	
				Ef	Gas Spring
	$\beta$	S	Fs		
CHY060.00	0°	19,28	79	1,61	
CHY060.05	5°	21,29	79	1,61	
CHY060.10	10°	23,34	79	1,61	
CHY060.15	15°	25,44	79	1,61	
CHY060.20	20°	27,65	79	1,61	
CHY060.25	25°	30	79	1,61	
CHY060.30	30°	32,55	79	1,61	
CHY060.35	35°	35,38	79	1,61	
CHY060.40	40°	38,57	79	1,61	
CHY060.45	45°	42,26	79	1,61	
CHY060.50	50°	46,67	79	1,61	
CHY060.55	55°	52,30	79	1,44	
CHY060.60	60°	60	79	1,26	
CHY060.65	65°	70,99	79	1,06	
CHY060.70	70°	58,48	79	0,85	
CHY060.75	75°	77,27	79	0,64	

		Art.	Work Angle = 5°
		CHY060	05

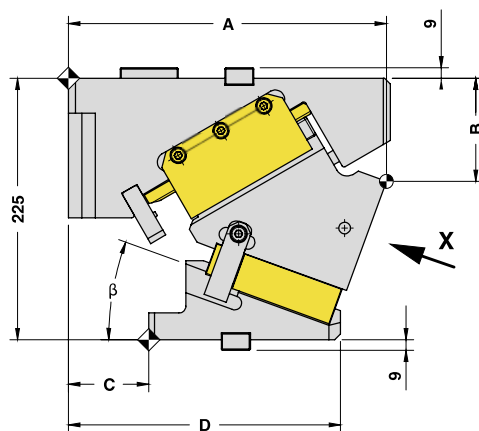
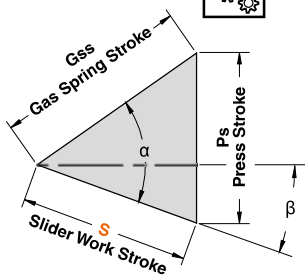
OMCR CODE	Work Angle	Overall Dimensions (mm)							
		$\beta$	A	B	C	D	E	F	G
CHY060.00	0°	267	69	100	265	165	115	75	141
CHY060.05	5°	274,45	73,08	95	260	165	115	75	141
CHY060.10	10°	272,04	77,56	86	251	165	115	75	141
CHY060.15	15°	273,74	82,44	77	242	165	115	75	141
CHY060.20	20°	273,50	88,73	69	234	165	115	75	141
CHY060.25	25°	271,28	93,53	56	221	165	115	75	141
CHY060.30	30°	270,02	98,57	48	213	165	115	75	141
CHY060.35	35°	266,76	105,15	49	194	145	95	65	121
CHY060.40	40°	262,47	112,10	39	184	145	95	65	121
CHY060.45	45°	256,13	126,50	31	176	145	95	65	121
CHY060.50	50°	249,80	134,78	23	153	130	80	58	106
CHY060.55	55°	247,39	141,94	16	146	130	80	58	106
CHY060.60	60°	237,95	149,36	5	135	130	80	58	106
CHY060.65	65°	235	163,68	-5	125	130	80	58	106
CHY060.70	70°	230	177,95	-15	115	130	80	58	106
CHY060.75	75°	222	187,73	-25	105	130	80	58	106

AERIAL CAM UNIT - OBEN HÄNGENDER SCHIEBER - UNITÀ A CAMME SOSPESA

X VIEW

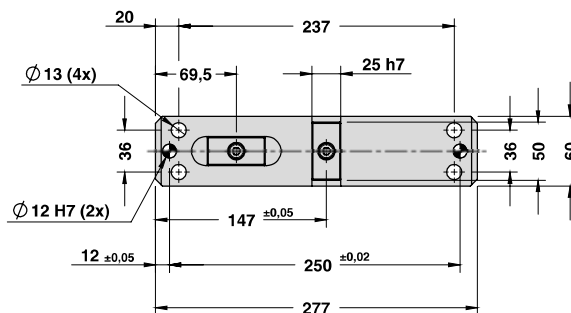


CAM DIAGRAM

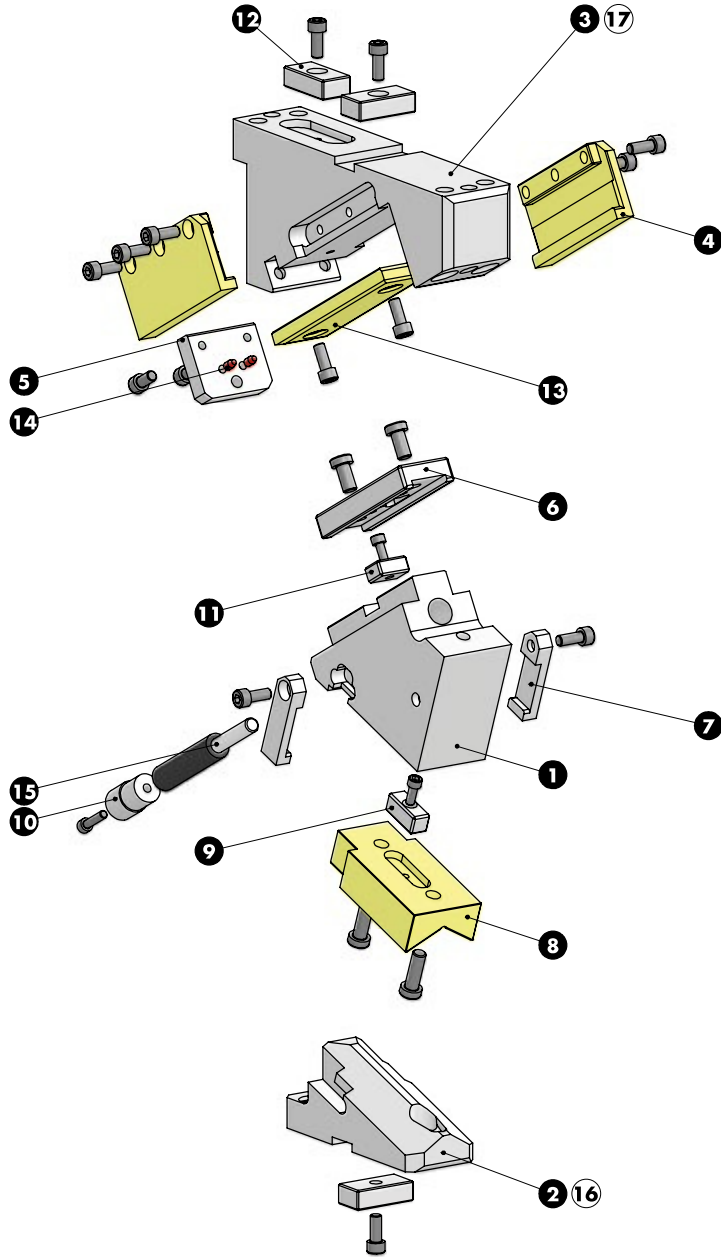


Cam Units CHY

Work Angle	Inner Angle	Slider Work Stroke (mm)	Press Stroke (mm)	Gas Spring Stroke (mm)
$\beta$	$\alpha$	S	Ps	Gss
0°	50°	19,28	22,98	30
5°	50°	21,29	23,07	30
10°	50°	23,34	23,34	30
15°	50°	25,44	23,79	30
20°	50°	27,65	24,46	30
25°	50°	30,00	25,36	30
30°	50°	32,55	26,54	30
35°	50°	35,38	28,06	30
40°	50°	38,57	30,00	30
45°	50°	42,26	32,50	30
50°	50°	46,67	35,75	30
55°	55°	52,30	42,84	30
60°	60°	60,00	51,96	30
65°	65°	70,99	64,34	30
70°	70°	58,48	54,95	20
75°	75°	77,27	74,64	20

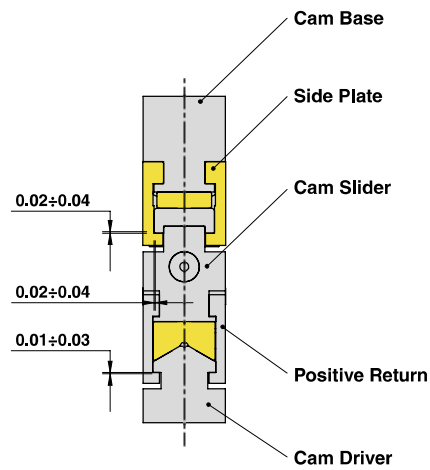


AERIAL CAM UNIT - OBEN HÄNGENDER SCHIEBER - UNITÀ A CAMME SOSPESA



**AERIAL CAM UNIT - OBEN HÄNGENDER SCHIEBER - UNITÀ A CAMME SOSPESA**

**SLIDER STRUCTURE, POSITIVE RETURN STRUCTURE AND CLEARANCES**



Cam Units CHY

**PART LIST**

Particular number	Description	Material	Quantity
1	Cam Slider	GGG-60	1
2	Cam Driver	GGG-60	1
3	Cam Base	GGG-60	1
4	Side Plate	CuZn25Al5 + Graphite - HB > 190	2
5	Stopper Plate	St44	1
6	Wear Plate	CK45	1
7	Positive Return	CK45	2
8	Female "V" Driver	CuZn25Al5 + Graphite - HB > 190	1
9	Key	CK45	1
10	Spring Spacer	CK45	1
11	Key	CK45	1
12	Key	CK45	3
13	Wear Plate VDI 3357	CuZn25Al5 + Graphite - HB > 190	1
14	Elastomer Cap	Elastomer 92SH	2
15	Gas Spring	-	1
16	Cam Driver Fixing Screws M12x45 DIN 912	-	3
17	Cam Base Fixing Screws M12x45 DIN 912	-	4