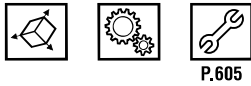
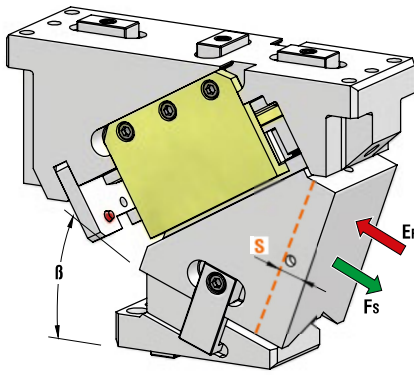


AERIAL CAM UNIT - OBEN HÄNGENDER SCHIEBER - UNITÀ A CAMME SOSPESA



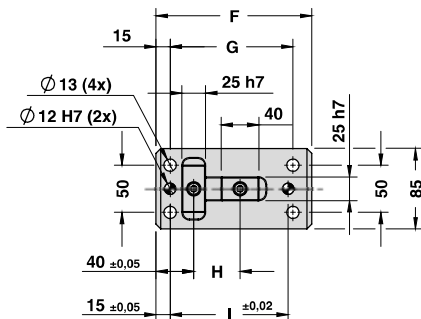
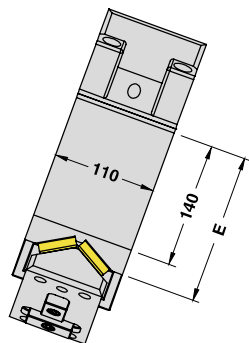
| OMCR CODE | Work Angle | Max Stroke (mm) | Max Work Force with shoulder (kN) | Extraction Force (kN) |
|-----------|------------|-----------------|-----------------------------------|-----------------------|
|           | $\beta$    | S               | Fs                                | Ef<br>Gas Spring      |
| CHY110.00 | 0°         | 32,14           | 160                               | 3,53                  |
| CHY110.05 | 5°         | 35,49           | 160                               | 3,53                  |
| CHY110.10 | 10°        | 38,89           | 160                               | 3,53                  |
| CHY110.15 | 15°        | 42,40           | 160                               | 3,53                  |
| CHY110.20 | 20°        | 46,08           | 160                               | 3,53                  |
| CHY110.25 | 25°        | 50              | 160                               | 3,53                  |
| CHY110.30 | 30°        | 54,25           | 160                               | 3,53                  |
| CHY110.35 | 35°        | 58,96           | 160                               | 3,53                  |
| CHY110.40 | 40°        | 64,28           | 160                               | 3,53                  |
| CHY110.45 | 45°        | 70,44           | 160                               | 3,53                  |
| CHY110.50 | 50°        | 77,79           | 160                               | 3,53                  |
| CHY110.55 | 55°        | 87,17           | 160                               | 3,15                  |
| CHY110.60 | 60°        | 100             | 160                               | 2,75                  |
| CHY110.65 | 65°        | 94,65           | 160                               | 2,32                  |
| CHY110.70 | 70°        | 81,87           | 160                               | 1,77                  |
| CHY110.75 | 75°        | 108,18          | 160                               | 1,34                  |

|  |  |        |                 |
|--|--|--------|-----------------|
|  |  | Art.   | Work Angle = 5° |
|  |  | CHY110 | 05              |

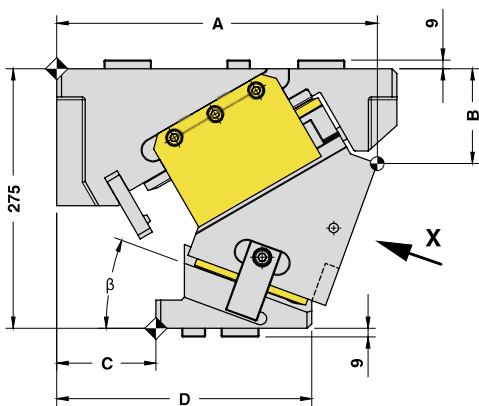
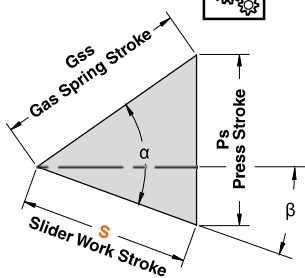
| OMCR CODE | Work Angle | Overall Dimensions (mm) |        |     |     |     |     |     |    |     |     |       |    |     |     |     |
|-----------|------------|-------------------------|--------|-----|-----|-----|-----|-----|----|-----|-----|-------|----|-----|-----|-----|
|           |            | $\beta$                 | A      | B   | C   | D   | E   | F   | G  | H   | I   | J     | K  | L   | M   | N   |
| CHY110.00 | 0°         | 318                     | 70     | 138 | 303 | 145 | 165 | 130 | 49 | 125 | 300 | 137,5 | 70 | 185 | 295 | 330 |
| CHY110.05 | 5°         | 324,46                  | 79,26  | 130 | 295 | 145 | 165 | 130 | 49 | 125 | 300 | 137,5 | 70 | 185 | 295 | 330 |
| CHY110.10 | 10°        | 330,22                  | 84,13  | 121 | 286 | 145 | 165 | 130 | 49 | 125 | 330 | 137,5 | 70 | 185 | 325 | 360 |
| CHY110.15 | 15°        | 336,20                  | 94,45  | 114 | 279 | 145 | 165 | 130 | 49 | 125 | 330 | 192,5 | 75 | 205 | 325 | 360 |
| CHY110.20 | 20°        | 339,32                  | 100,42 | 105 | 270 | 145 | 165 | 130 | 49 | 125 | 330 | 192,5 | 75 | 205 | 325 | 360 |
| CHY110.25 | 25°        | 340,51                  | 109,67 | 94  | 259 | 145 | 165 | 130 | 49 | 125 | 330 | 192,5 | 75 | 205 | 325 | 360 |
| CHY110.30 | 30°        | 348,36                  | 120,54 | 70  | 250 | 145 | 180 | 145 | 55 | 140 | 330 | 192,5 | 75 | 205 | 325 | 360 |
| CHY110.35 | 35°        | 343,52                  | 127,82 | 54  | 234 | 145 | 180 | 145 | 55 | 140 | 330 | 192,5 | 75 | 205 | 325 | 360 |
| CHY110.40 | 40°        | 332,59                  | 139,41 | 64  | 214 | 145 | 150 | 110 | 35 | 105 | 330 | 192,5 | 75 | 205 | 325 | 360 |
| CHY110.45 | 45°        | 322,52                  | 149,44 | 45  | 195 | 145 | 150 | 110 | 35 | 105 | 330 | 192,5 | 75 | 205 | 325 | 360 |
| CHY110.50 | 50°        | 309,47                  | 156,17 | 25  | 175 | 145 | 150 | 110 | 35 | 105 | 315 | 180,5 | 93 | 185 | 310 | 345 |
| CHY110.55 | 55°        | 311,07                  | 169,79 | 18  | 168 | 145 | 150 | 110 | 35 | 105 | 315 | 180,5 | 93 | 185 | 310 | 345 |
| CHY110.60 | 60°        | 327,93                  | 168,85 | 7   | 157 | 180 | 150 | 110 | 35 | 105 | 315 | 180,5 | 93 | 185 | 310 | 345 |
| CHY110.65 | 65°        | 317,17                  | 185    | -10 | 140 | 180 | 150 | 110 | 35 | 105 | 315 | 180,5 | 93 | 185 | 310 | 345 |
| CHY110.70 | 70°        | 313,12                  | 205    | -20 | 130 | 180 | 150 | 110 | 35 | 105 | 315 | 180,5 | 93 | 185 | 310 | 345 |
| CHY110.75 | 75°        | 306,79                  | 225    | -30 | 120 | 180 | 150 | 110 | 35 | 105 | 315 | 180,5 | 93 | 185 | 310 | 345 |

AERIAL CAM UNIT - OBEN HÄNGENDER SCHIEBER - UNITÀ A CAMME SOSPESA

X VIEW

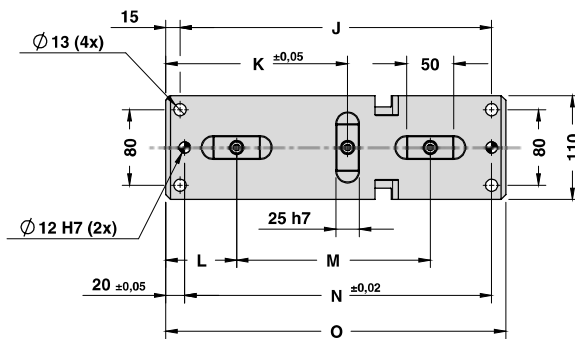


CAM DIAGRAM

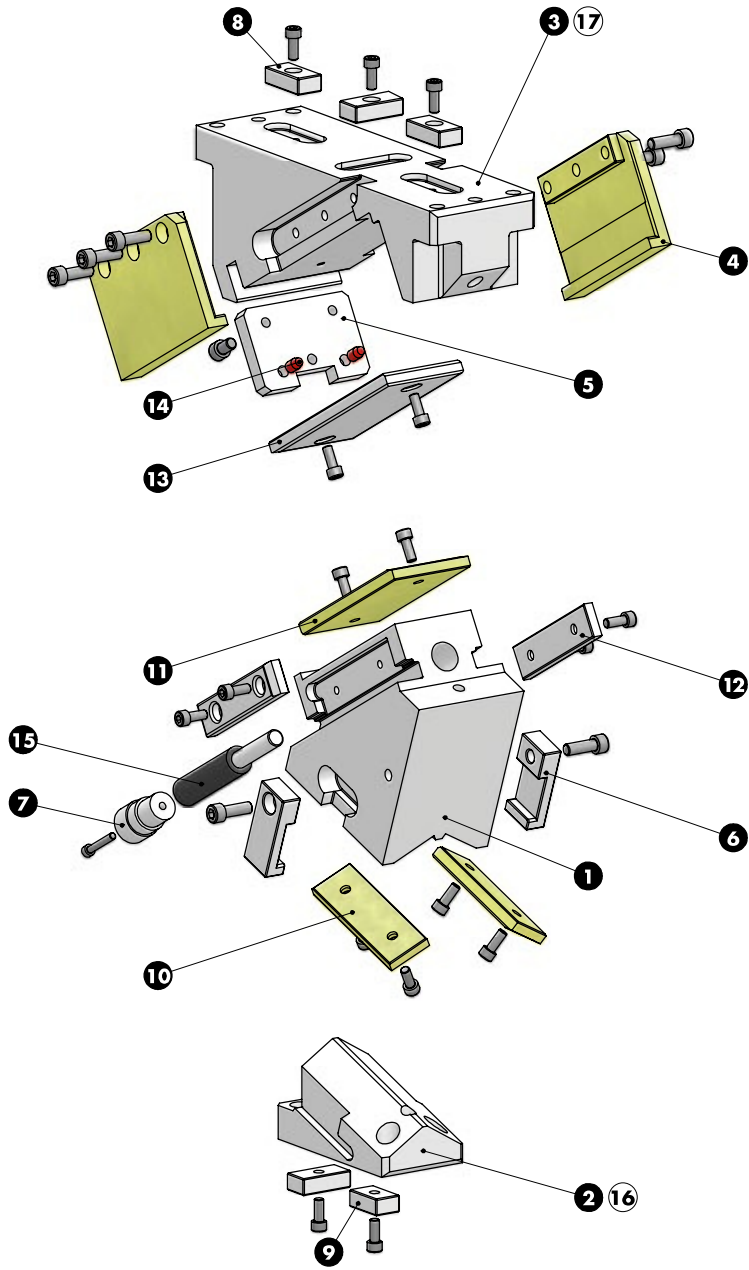


Cam Units CHY

| Work Angle | Inner Angle | Slider Work Stroke (mm) | Press Stroke (mm) | Gas Spring Stroke (mm) |
|------------|-------------|-------------------------|-------------------|------------------------|
| $\beta$    | $\alpha$    | S                       | Ps                | Gss                    |
| 0°         | 50°         | 32,14                   | 38,30             | 50                     |
| 5°         | 50°         | 35,49                   | 38,45             | 50                     |
| 10°        | 50°         | 38,89                   | 38,89             | 50                     |
| 15°        | 50°         | 42,40                   | 39,65             | 50                     |
| 20°        | 50°         | 46,08                   | 40,76             | 50                     |
| 25°        | 50°         | 50,00                   | 42,26             | 50                     |
| 30°        | 50°         | 54,25                   | 44,23             | 50                     |
| 35°        | 50°         | 58,96                   | 46,76             | 50                     |
| 40°        | 50°         | 64,28                   | 50,00             | 50                     |
| 45°        | 50°         | 70,44                   | 54,17             | 50                     |
| 50°        | 50°         | 77,79                   | 59,59             | 50                     |
| 55°        | 55°         | 87,17                   | 71,41             | 50                     |
| 60°        | 60°         | 100,00                  | 86,60             | 50                     |
| 65°        | 65°         | 94,65                   | 85,78             | 40                     |
| 70°        | 70°         | 81,87                   | 76,93             | 28                     |
| 75°        | 75°         | 108,18                  | 104,50            | 28                     |

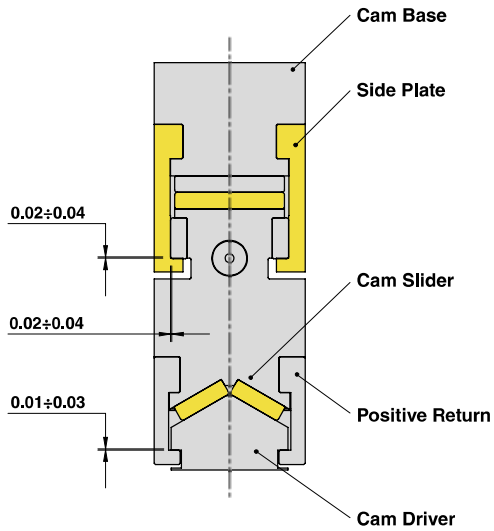


AERIAL CAM UNIT - OBEN HÄNGENDER SCHIEBER - UNITÀ A CAMME SOSPESA



AERIAL CAM UNIT - OBEN HÄNGENDER SCHIEBER - UNITÀ A CAMME SOSPESA

SLIDER STRUCTURE, POSITIVE RETURN STRUCTURE AND CLEARANCES



Cam Units CHY

PART LIST

| Particular number | Description                             | Material                        | Quantity |
|-------------------|---|---------------------------------|----------|
| 1                 | Cam Slider                              | GGG-60                          | 1        |
| 2                 | Cam Driver                              | GGG-60                          | 1        |
| 3                 | Cam Base                                | GGG-60                          | 1        |
| 4                 | Side Plate                              | CuZn25Al5 + Graphite - HB > 190 | 2        |
| 5                 | Stopper Plate                           | St44                            | 1        |
| 6                 | Positive Return                         | CK45                            | 2        |
| 7                 | Spring Spacer                           | CK45                            | 1        |
| 8                 | Key                                     | CK45                            | 4        |
| 9                 | Key                                     | CK45                            | 1        |
| 10                | Wear Plate VDI 3357                     | CuZn25Al5 + Graphite - HB > 190 | 2        |
| 11                | Wear Plate VDI 3357                     | CuZn25Al5 + Graphite - HB > 190 | 1        |
| 12                | Wear Plate VDI 3357                     | CK45                            | 2        |
| 13                | Wear Plate VDI 3357                     | CK45                            | 1        |
| 14                | Elastomer Cap                           | Elastomer 92SH                  | 2        |
| 15                | Gas Spring                              | -                               | 1        |
| 16                | Cam Driver Fixing Screws M12x35 DIN 912 | -                               | 4        |
| 17                | Cam Base Fixing Screws M12x45 DIN 912   | -                               | 4        |