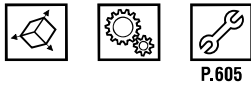
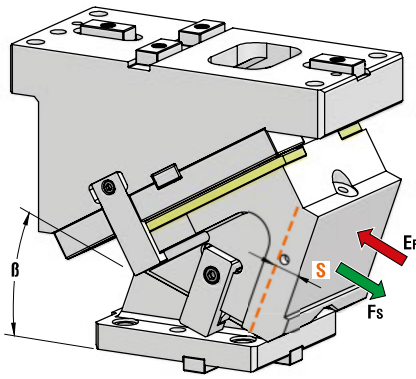


AERIAL CAM UNIT - OBEN HÄNGENDER SCHIEBER - UNITÀ A CAMME SOSPESA



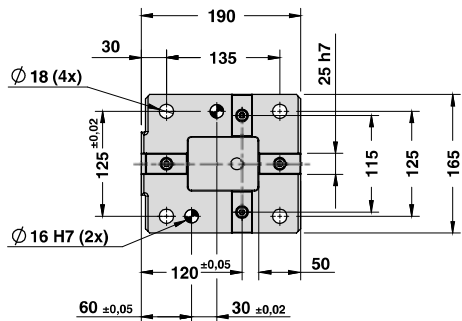
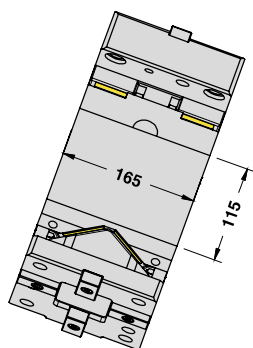
OMCR CODE	Work Angle	Max Stroke (mm)	Max Work Force with shoulder (kN)	Extraction Force (kN)
	$\beta$	S	F <sub>s</sub>	E <sub>f</sub> Gas Spring
CHY165.00	0°	32,14	183	8,06
CHY165.05	5°	35,49	183	8,06
CHY165.10	10°	38,89	183	8,06
CHY165.15	15°	42,40	183	8,06
CHY165.20	20°	46,08	183	8,06
CHY165.25	25°	50	183	8,06
CHY165.30	30°	54,25	183	8,06
CHY165.35	35°	58,96	183	8,06
CHY165.40	40°	64,28	183	8,06
CHY165.45	45°	70,44	183	8,06
CHY165.50	50°	77,79	183	8,06
CHY165.55	55°	61,02	183	6,65
CHY165.60	60°	40	183	5,08
CHY165.65	65°	47,32	183	4,29
CHY165.70	70°	58,48	183	3,47
CHY165.75	75°	57,96	183	2,41

		Art.	Work Angle = 5°
		CHY165	05

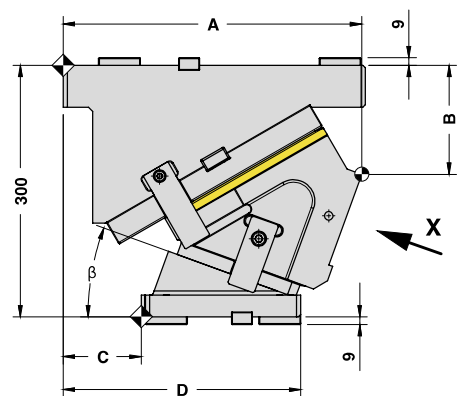
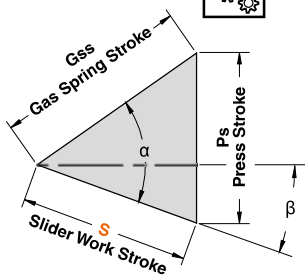
OMCR CODE	Work Angle	Overall Dimensions (mm)			
	$\beta$	A	B	C	D
CHY165.00	0°	360	95	150	340
CHY165.05	5°	356,25	100,91	134	324
CHY165.10	10°	359,27	111,09	118	308
CHY165.15	15°	355,78	122,47	111	301
CHY165.20	20°	355,68	130	93	283
CHY165.25	25°	354,25	138,92	80	270
CHY165.30	30°	357,28	148,28	70	260
CHY165.35	35°	345,80	158,89	64	254
CHY165.40	40°	344,27	170,38	58	248
CHY165.45	45°	344,86	182,66	40	230
CHY165.50	50°	327,27	195,63	10	200
CHY165.55	55°	324,39	210,20	0	190
CHY165.60	60°	317,59	215,63	-7	183
CHY165.65	65°	314,23	231,40	-15	185
CHY165.70	70°	308,07	245,67	-25	175
CHY165.75	75°	301,08	260,24	-35	165

AERIAL CAM UNIT - OBEN HÄNGENDER SCHIEBER - UNITÀ A CAMME SOSPESA

X VIEW

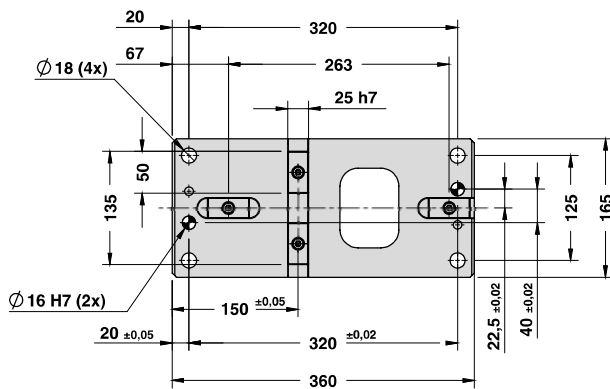


CAM DIAGRAM

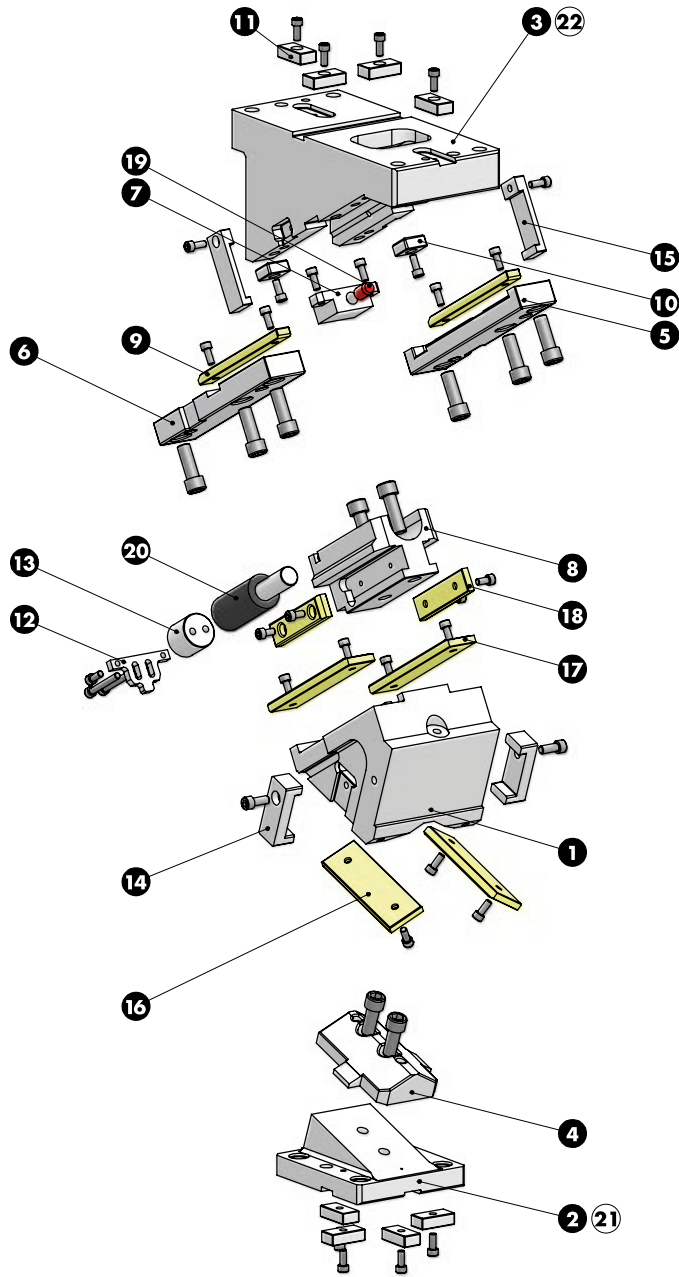


Cam Units CHY

Work Angle	Inner Angle	Slider Work Stroke (mm)	Press Stroke (mm)	Gas Spring Stroke (mm)
$\beta$	$\alpha$	S	Ps	Gss
0°	50°	32,14	38,30	50
5°	50°	35,49	38,45	50
10°	50°	38,89	38,89	50
15°	50°	42,40	39,65	50
20°	50°	46,08	40,76	50
25°	50°	50,00	42,26	50
30°	50°	54,25	44,23	50
35°	50°	58,96	46,76	50
40°	50°	64,28	50,00	50
45°	50°	70,44	54,17	50
50°	50°	77,79	59,59	50
55°	55°	61,02	49,99	35
60°	60°	40,00	34,64	20
65°	65°	47,32	42,89	20
70°	70°	58,48	54,95	20
75°	75°	57,96	55,98	15

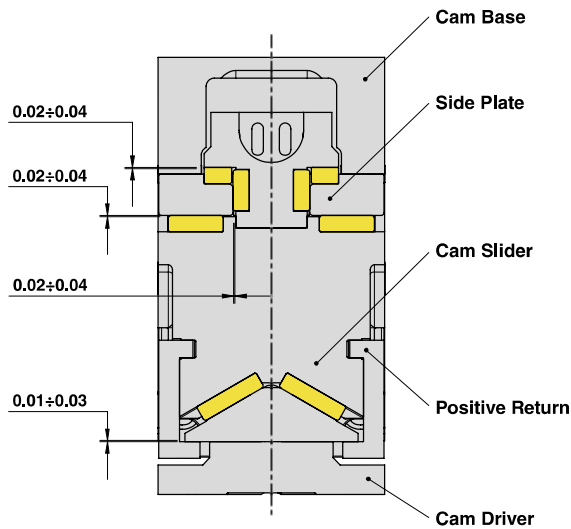


AERIAL CAM UNIT - OBEN HÄNGENDER SCHIEBER - UNITÀ A CAMME SOSPESA



AERIAL CAM UNIT - OBEN HÄNGENDER SCHIEBER - UNITÀ A CAMME SOSPESA

SLIDER STRUCTURE, POSITIVE RETURN STRUCTURE AND CLEARANCES



Cam Units CHY

PART LIST

Particular number	Description	Material	Quantity
1	Cam Slider	GGG-60	1
2	Cam Driver	GGG-60	1
3	Cam Base	GGG-60	1
4	Male "V" Driver	CK45	1
5	Side Plate R	CK45	1
6	Side Plate L	CK45	1
7	Stopper Plate	CK45	1
8	Spring Guide Block	CK45	1
9	Wear Plate	CuZn25Al5 + Graphite - HB > 190	2
10	Key	CK45	2
11	Key	CK45	8
12	Spring Stopper Plate	CK45	1
13	Spring Spacer	CK45	1
14	Positive Return	42CrMo4 Nitrided	2
15	Positive Return	CK45	2
16	Wear Plate VDI 3357	CuZn25Al5 + Graphite - HB > 190	2
17	Wear Plate VDI 3357	CuZn25Al5 + Graphite - HB > 190	2
18	Wear Plate VDI 3357	CuZn25Al5 + Graphite - HB > 190	2
19	Elastomer Cap	Elastomer 92SH	1
20	Gas Spring	-	1
21	Cam Driver Fixing Screws M16x55 DIN 912	-	4
22	Cam Base Fixing Screws M16x80 DIN 912	-	4