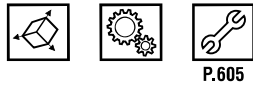
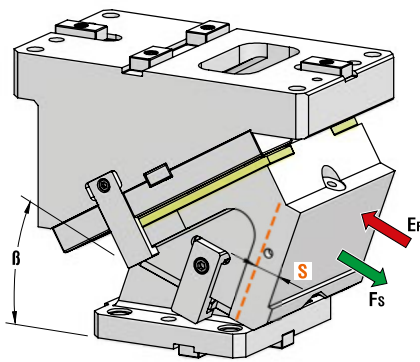


AERIAL CAM UNIT - OBEN HÄNGENDER SCHIEBER - UNITÀ A CAMME SOSPESA



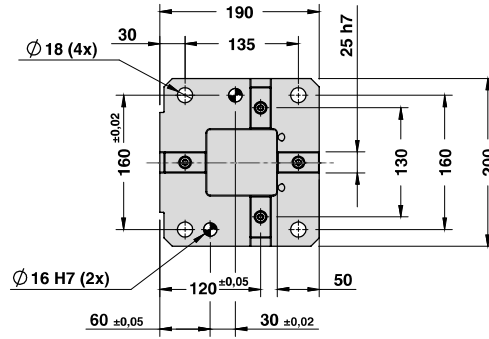
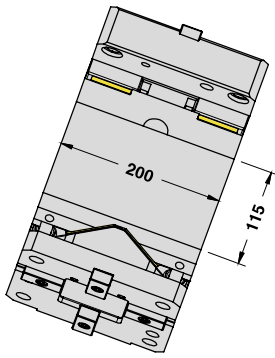
OMCR CODE	Work Angle	Max Stroke (mm)	Max Work Force with shoulder (kN)	Extraction Force (kN)
	$\beta$	S	F <sub>s</sub>	E <sub>f</sub> Gas Spring
CHY200.00	0°	32,14	230	8,06
CHY200.05	5°	35,49	230	8,06
CHY200.10	10°	38,89	230	8,06
CHY200.15	15°	42,40	230	8,06
CHY200.20	20°	46,08	230	8,06
CHY200.25	25°	50	230	8,06
CHY200.30	30°	54,25	230	8,06
CHY200.35	35°	58,96	230	8,06
CHY200.40	40°	64,28	230	8,06
CHY200.45	45°	70,44	230	8,06
CHY200.50	50°	77,79	230	8,06
CHY200.55	55°	82,30	230	6,18
CHY200.60	60°	86	230	5,38
CHY200.65	65°	90,99	230	4,55
CHY200.70	70°	96,48	230	3,47
CHY200.75	75°	102,27	230	2,63

		Art.	Work Angle = 5°
		CHY200	05

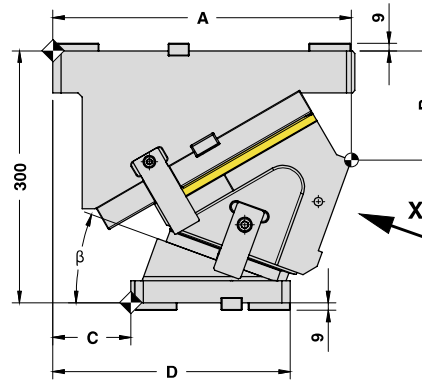
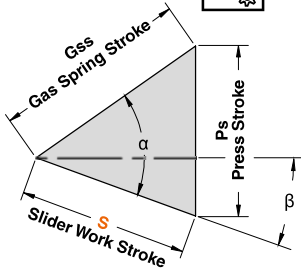
OMCR CODE	Work Angle	Overall Dimensions (mm)			
		$\beta$	A	B	C
CHY200.00	0°	360	95	150	340
CHY200.05	5°	356,25	100,91	134	324
CHY200.10	10°	359,27	111,09	118	308
CHY200.15	15°	355,78	122,47	111	301
CHY200.20	20°	355,68	130	93	283
CHY200.25	25°	354,88	138,62	80	270
CHY200.30	30°	357,28	148,28	70	260
CHY200.35	35°	345,80	158,89	64	254
CHY200.40	40°	344,27	170,38	58	248
CHY200.45	45°	344,86	182,66	40	230
CHY200.50	50°	327,27	195,63	10	200
CHY200.55	55°	324,39	210,20	0	190
CHY200.60	60°	317,59	215,63	-7	183
CHY200.65	65°	319,23	231,40	-15	175
CHY200.70	70°	313,07	245,67	-25	165
CHY200.75	75°	306,08	260,24	-35	155

AERIAL CAM UNIT - OBEN HÄNGENDER SCHIEBER - UNITÀ A CAMME SOSPESA

X VIEW

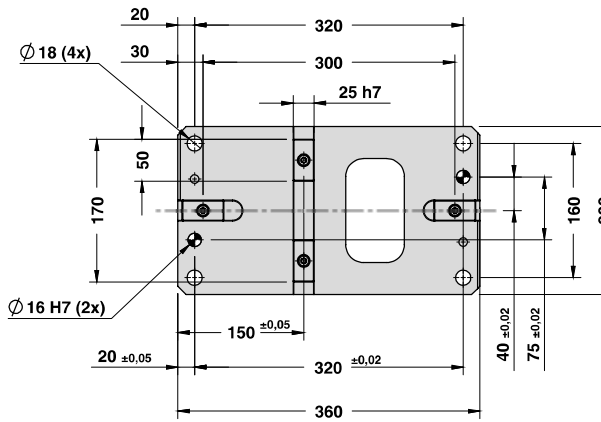


CAM DIAGRAM

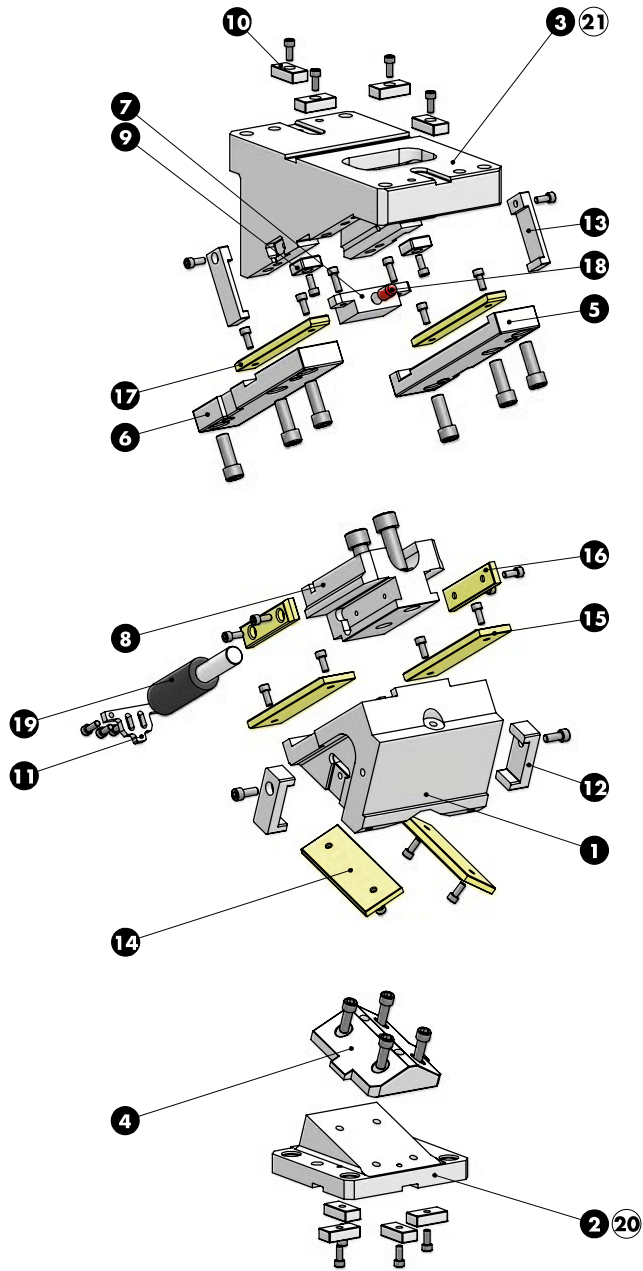


Cam Units CHY

Work Angle	Inner Angle	Slider Work Stroke (mm)	Press Stroke (mm)	Gas Spring Stroke (mm)
$\beta$	$\alpha$	S	Ps	Gss
0°	50°	32,14	38,30	50
5°	50°	35,49	38,45	50
10°	50°	38,89	38,89	50
15°	50°	42,40	39,65	50
20°	50°	46,08	40,76	50
25°	50°	50,00	42,26	50
30°	50°	54,25	44,23	50
35°	50°	58,96	46,76	50
40°	50°	64,28	50,00	50
45°	50°	70,44	54,17	50
50°	50°	77,79	59,59	50
55°	55°	52,30	42,84	30
60°	60°	60,00	51,96	30
65°	65°	70,99	64,34	30
70°	70°	58,48	54,95	20
75°	75°	77,27	74,64	20

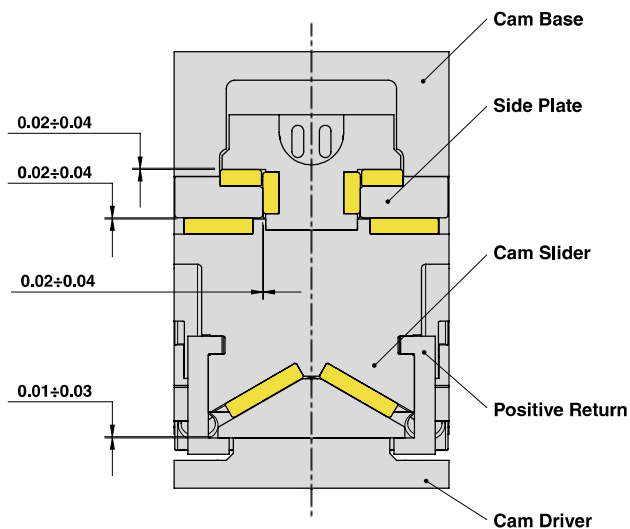


AERIAL CAM UNIT - OBEN HÄNGENDER SCHIEBER - UNITÀ A CAMME SOSPESA



AERIAL CAM UNIT - OBEN HÄNGENDER SCHIEBER - UNITÀ A CAMME SOSPESA

SLIDER STRUCTURE, POSITIVE RETURN STRUCTURE AND CLEARANCES



Cam Units CHY

PART LIST

Particular number	Description	Material	Quantity
1	Cam Slider	GGG-60	1
2	Cam Driver	GGG-60	1
3	Cam Base	GGG-60	1
4	Male "V" Driver	CK45	1
5	Side Plate R	CK45	1
6	Side Plate L	CK45	1
7	Stopper Plate	CK45	1
8	Spring Guide Block	CK45	1
9	Key	CK45	2
10	Key	CK45	8
11	Spring Stopper Plate	CK45	1
12	Positive Return	42CrMo4 Nitrided	2
13	Positive Return	CK45	2
14	Wear Plate VDI 3357	CuZn25Al5 + Graphite + Graphite - HB > 190	2
15	Wear Plate VDI 3357	CuZn25Al5 + Graphite - HB > 190	2
16	Wear Plate VDI 3357	CuZn25Al5 + Graphite - HB > 190	2
17	Wear Plate VDI 3357	CuZn25Al5 + Graphite - HB > 190	2
18	Elastomer Cap	Elastomer 92SH	1
19	Gas Spring	-	1
20	Cam Driver Fixing Screws M16x55 DIN 912	-	4
21	Cam Base Fixing Screws M16x80 DIN 912	-	4