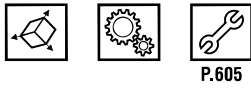
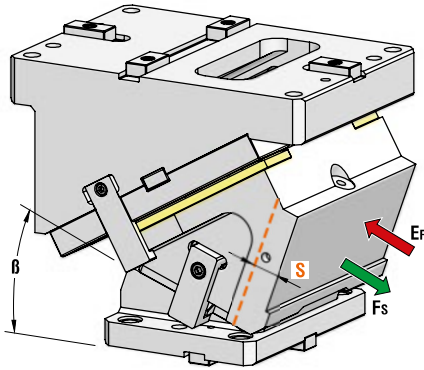


AERIAL CAM UNIT - OBEN HÄNGENDER SCHIEBER - UNITÀ A CAMME SOSPESA



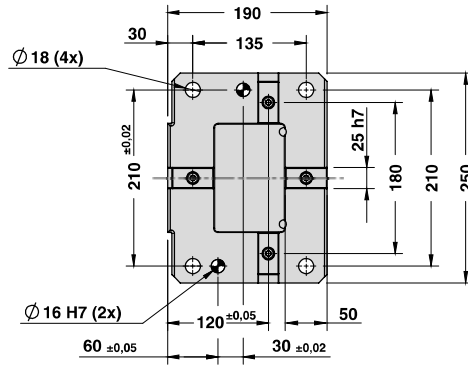
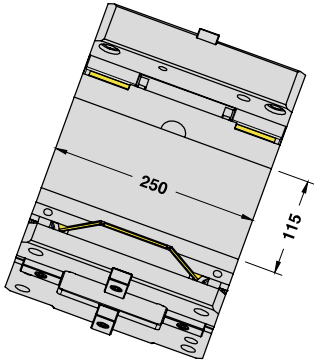
OMCR CODE	Work Angle	Max Stroke (mm)	Max Work Force with shoulder (kN)	Extraction Force (kN)
	β	S	F _s	E _f Gas Spring
CHY250.00	0°	32,14	302	16,12
CHY250.05	5°	35,49	302	16,12
CHY250.10	10°	38,89	302	16,12
CHY250.15	15°	42,40	302	16,12
CHY250.20	20°	46,08	302	16,12
CHY250.25	25°	50	302	16,12
CHY250.30	30°	54,25	302	16,12
CHY250.35	35°	58,96	302	16,12
CHY250.40	40°	64,28	302	16,12
CHY250.45	45°	70,44	302	16,12
CHY250.50	50°	77,79	302	16,12
CHY250.55	55°	82,30	302	12,35
CHY250.60	60°	86	302	10,77
CHY250.65	65°	90,99	302	9,10
CHY250.70	70°	96,48	302	6,94
CHY250.75	75°	102,27	302	5,26

		Art.	Work Angle = 5°
		CHY250	05

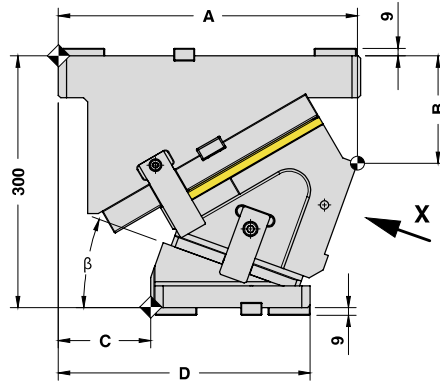
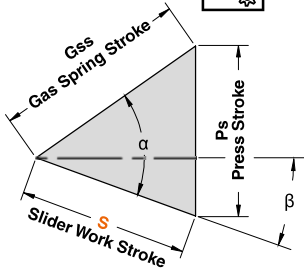
OMCR CODE	Work Angle	Overall Dimensions (mm)			
	β	A	B	C	D
CHY250.00	0°	360	95	150	340
CHY250.05	5°	356,43	98,92	134	324
CHY250.10	10°	359,62	109,12	118	308
CHY250.15	15°	356,30	120,53	111	301
CHY250.20	20°	356,37	128,12	93	283
CHY250.25	25°	355,73	136,81	80	270
CHY250.30	30°	358,28	146,55	70	260
CHY250.35	35°	346,94	157,25	64	254
CHY250.40	40°	345,56	168,85	58	248
CHY250.45	45°	346,27	181,24	40	230
CHY250.50	50°	328,80	194,34	10	200
CHY250.55	55°	326,84	208,48	0	190
CHY250.60	60°	320,19	214,13	-7	183
CHY250.65	65°	319,23	231,40	-15	175
CHY250.70	70°	313,07	245,67	-25	165
CHY250.75	75°	306,08	260,24	-35	155

AERIAL CAM UNIT - OBEN HÄNGENDER SCHIEBER - UNITÀ A CAMME SOSPESA

X VIEW

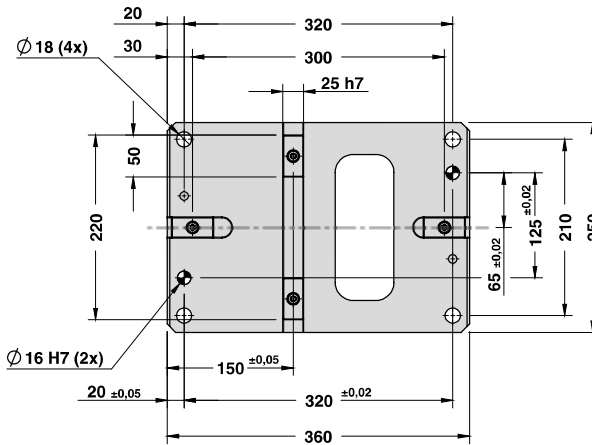


CAM DIAGRAM

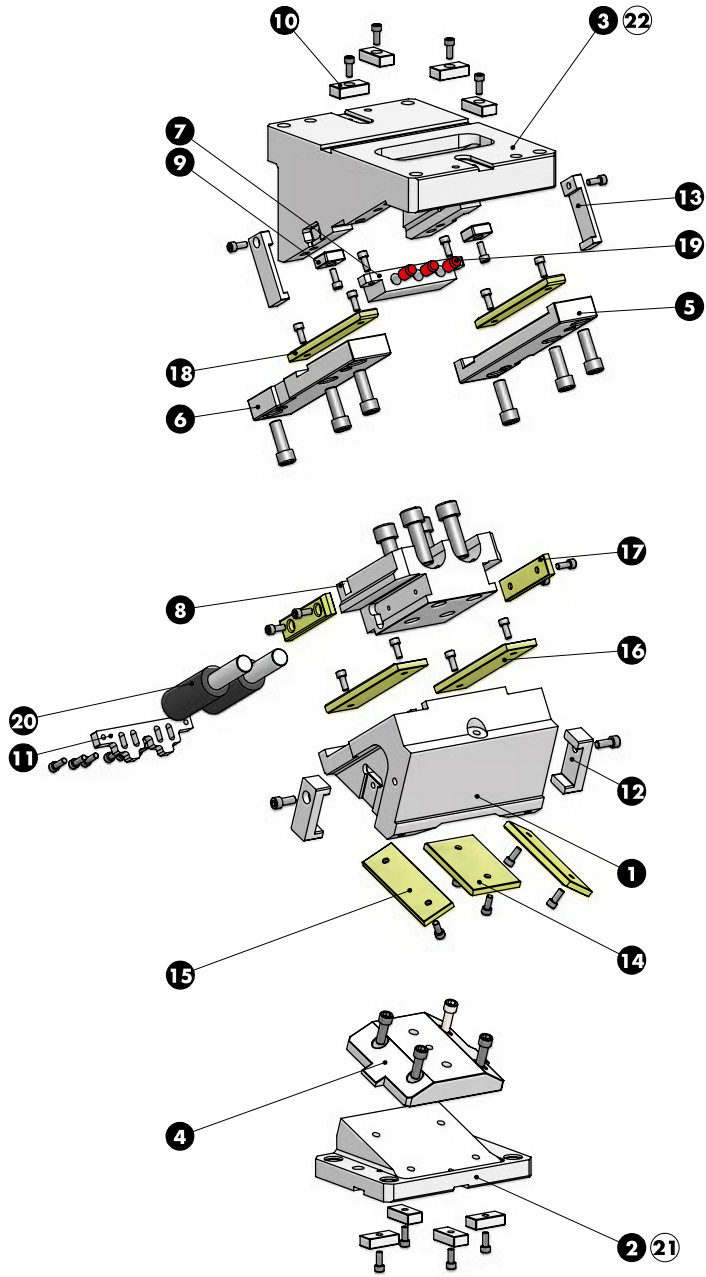


Cam Units CHY

Work Angle	Inner Angle	Slider Work Stroke (mm)	Press Stroke (mm)	Gas Spring Stroke (mm)
β	α	S	Ps	Gss
0°	50°	32,14	38,30	50
5°	50°	35,49	38,45	50
10°	50°	38,89	38,89	50
15°	50°	42,40	39,65	50
20°	50°	46,08	40,76	50
25°	50°	50,00	42,26	50
30°	50°	54,25	44,23	50
35°	50°	58,96	46,76	50
40°	50°	64,28	50,00	50
45°	50°	70,44	54,17	50
50°	50°	77,79	59,59	50
55°	55°	82,30	64,84	30
60°	60°	86,00	70,96	30
65°	65°	89,99	77,99	30
70°	70°	94,27	84,95	20
75°	75°	98,74	91,74	20

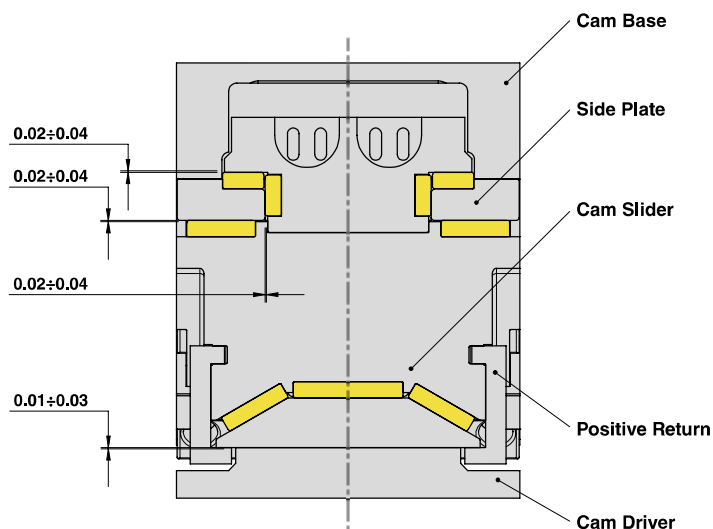


AERIAL CAM UNIT - OBEN HÄNGENDER SCHIEBER - UNITÀ A CAMME SOSPESA



AERIAL CAM UNIT - OBEN HÄNGENDER SCHIEBER - UNITÀ A CAMME SOSPESA

SLIDER STRUCTURE, POSITIVE RETURN STRUCTURE AND CLEARANCES



Cam Units CHY

PART LIST

Particular number	Description	Material	Quantity
1	Cam Slider	GGG-60	1
2	Cam Driver	GGG-60	1
3	Cam Base	GGG-60	1
4	Male "V" Driver	CK45	1
5	Side Plate R	CK45	1
6	Side Plate L	CK45	1
7	Stopper Plate	CK45	1
8	Spring Guide Block	CK45	1
9	Key	CK45	2
10	Key	CK45	8
11	Gas Spring Stopper Plate	CK45	1
12	Positive Return	42CrMo4 Nitrided	2
13	Positive Return	CK45	2
14	Wear Plate VDI 3357	CuZn25Al5 + Graphite - HB > 190	1
15	Wear Plate VDI 3357	CuZn25Al5 + Graphite - HB > 190	2
16	Wear Plate VDI 3357	CuZn25Al5 + Graphite - HB > 190	2
17	Wear Plate VDI 3357	CuZn25Al5 + Graphite - HB > 190	2
18	Wear Plate VDI 3357	CuZn25Al5 + Graphite - HB > 190	2
19	Elastomer Cap	Elastomer 92SH	3
20	Gas Spring	-	2
21	Cam Driver Fixing Screws M16x55 DIN 912	-	4
22	Cam Base Fixing Screws M16x80 DIN 912	-	4