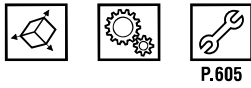
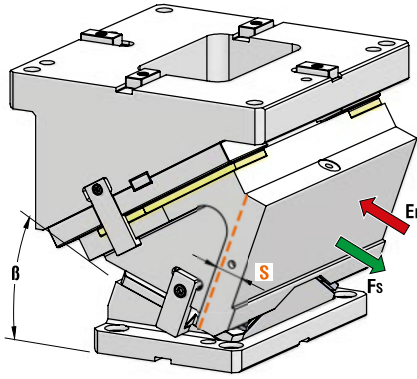


AERIAL CAM UNIT - OBEN HÄNGENDER SCHIEBER - UNITÀ A CAMME SOSPESA



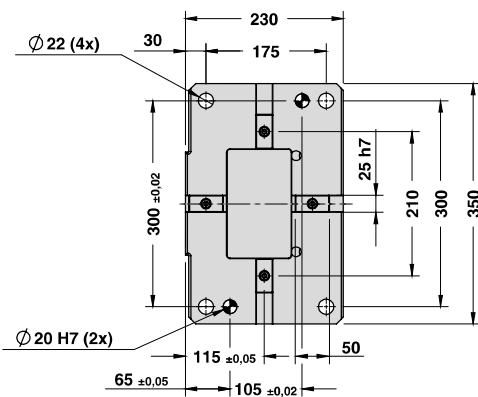
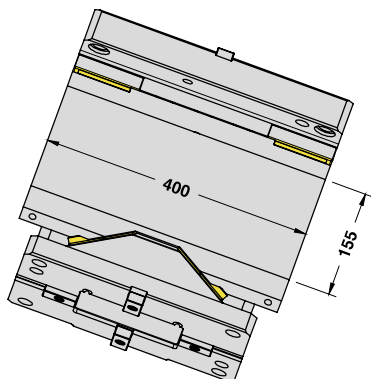
OMCR CODE	Work Angle $\beta$	Max Stroke (mm) S	Max Work Force with shoulder (kN) Fs	Extraction Force (kN)	
				Ef	Gas Spring
CHY400.00	0°	38,57	473	23,37	
CHY400.05	5°	42,59	473	23,37	
CHY400.10	10°	46,67	473	23,37	
CHY400.15	15°	50,88	473	23,37	
CHY400.20	20°	55,30	473	23,37	
CHY400.25	25°	60	473	23,37	
CHY400.30	30°	65,10	473	23,37	
CHY400.35	35°	70,75	473	23,37	
CHY400.40	40°	77,13	473	23,37	
CHY400.45	45°	84,53	473	23,37	
CHY400.50	50°	93,34	473	23,37	
CHY400.55	55°	104,61	473	20,86	
CHY400.60	60°	120	473	18,18	
CHY400.65	65°	94,65	473	14,07	
CHY400.70	70°	73,10	473	10,30	
CHY400.75	75°	96,59	473	7,79	

		Art.	Work Angle = 5°
		CHY400	05

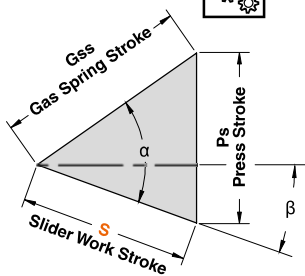
OMCR CODE	Work Angle $\beta$	Overall Dimensions (mm)						
		A	B	C	D	E	F	G
CHY400.00	0°	395	88	158	388	340	390	330
CHY400.05	5°	387,16	94,19	155	385	340	390	330
CHY400.10	10°	394,13	106,86	145	375	340	390	330
CHY400.15	15°	395,82	118,01	135	365	340	390	330
CHY400.20	20°	397,08	131,59	100	330	350	400	340
CHY400.25	25°	404,71	138,65	85	315	350	400	340
CHY400.30	30°	408,22	146,89	65	295	350	400	340
CHY400.35	35°	404,52	159,17	50	280	350	400	340
CHY400.40	40°	400,46	167,30	40	270	350	400	340
CHY400.45	45°	394,84	179,24	20	250	350	400	340
CHY400.50	50°	393,35	196,04	2	232	360	410	350
CHY400.55	55°	392,76	221,83	-13	217	360	410	350
CHY400.60	60°	393,35	249,61	-30	200	360	410	350
CHY400.65	65°	387,48	266,49	-48	182	360	410	350
CHY400.70	70°	378,65	281,99	-65	165	360	410	350
CHY400.75	75°	364,72	296,88	-85	145	360	410	350

AERIAL CAM UNIT - OBEN HÄNGENDER SCHIEBER - UNITÀ A CAMME SOSPESA

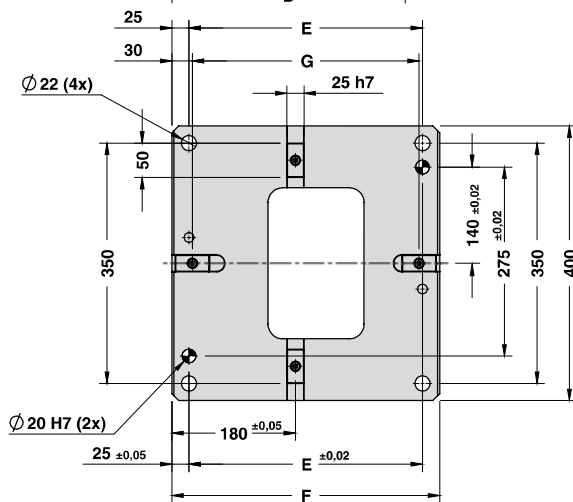
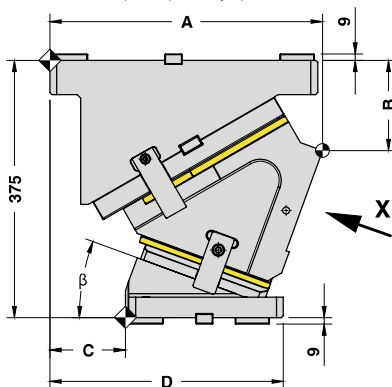
X VIEW



CAM DIAGRAM

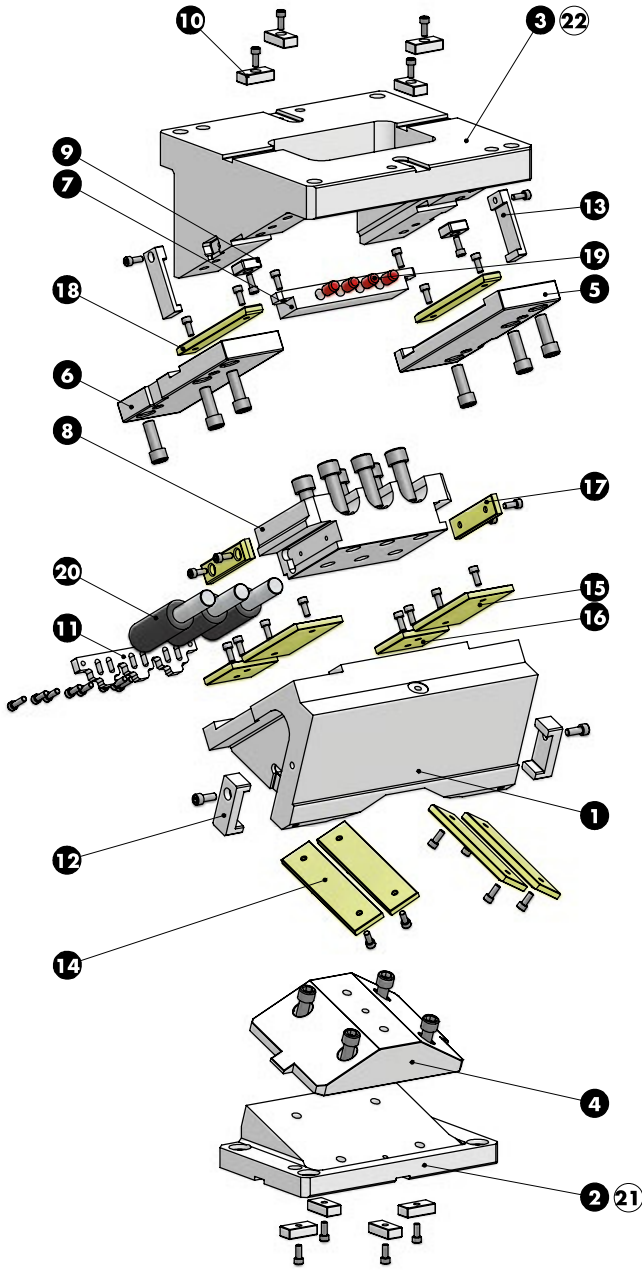


Work Angle	Inner Angle	Slider Work Stroke (mm)	Press Stroke (mm)	Gas Spring Stroke (mm)
$\beta$	$\alpha$	S	Ps	Gss
0°	50°	38,57	45,96	60
5°	50°	42,59	46,14	60
10°	50°	46,67	46,67	60
15°	50°	50,88	47,58	60
20°	50°	55,30	48,91	60
25°	50°	60,00	50,71	60
30°	50°	65,10	53,07	60
35°	50°	70,75	56,11	60
40°	50°	77,13	60,00	60
45°	50°	84,53	65,00	60
50°	50°	93,34	71,51	60
55°	55°	104,61	85,69	60
60°	60°	120,00	103,92	60
65°	65°	94,65	85,78	40
70°	70°	73,10	68,69	25
75°	75°	96,59	93,30	25



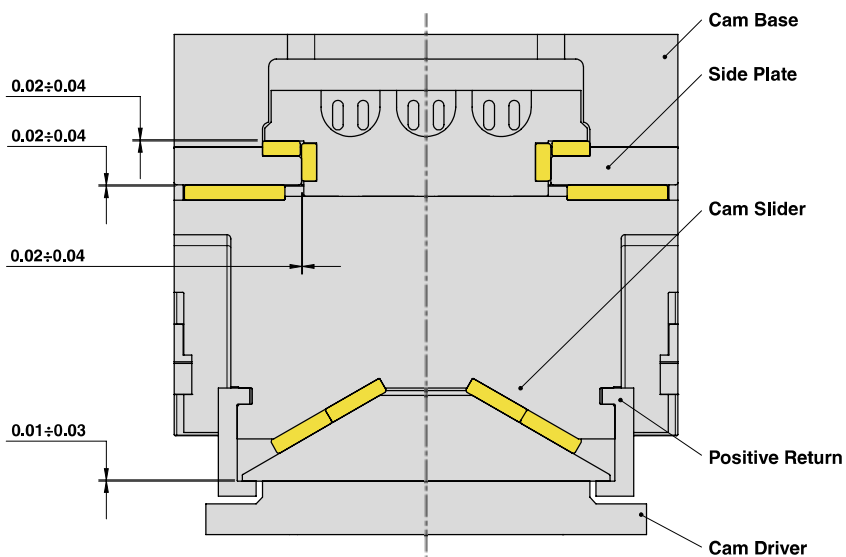
Cam Units CHY

AERIAL CAM UNIT - OBEN HÄNGENDER SCHIEBER - UNITÀ A CAMME SOSPESA



AERIAL CAM UNIT - OBEN HÄNGENDER SCHIEBER - UNITÀ A CAMME SOSPESA

SLIDER STRUCTURE, POSITIVE RETURN STRUCTURE AND CLEARANCES



Cam Units CHY

PART LIST

Particular number	Description	Material	Quantity
1	Cam Slider	GGG-60	1
2	Cam Driver	GGG-60	1
3	Cam Base	GGG-60	1
4	Male "V" Driver	CK45	1
5	Side Plate R	CK45	1
6	Side Plate L	CK45	1
7	Stopper Plate	CK45	1
8	Spring Guide Block	CK45	1
9	Key	CK45	2
10	Key	CK45	8
11	Spring Stopper Plate	CK45	1
12	Positive Return	42CrMo4 Nitrided	2
13	Positive Return	CK45	2
14	Wear Plate VDI 3357	CuZn25Al5 + Graphite - HB > 190	4
15	Wear Plate VDI 3357	CuZn25Al5 + Graphite - HB > 190	2
16	Wear Plate VDI 3357	CuZn25Al5 + Graphite - HB > 190	2
17	Wear Plate VDI 3357	CuZn25Al5 + Graphite - HB > 190	2
18	Wear Plate VDI 3357	CuZn25Al5 + Graphite - HB > 190	2
19	Elastomer Cap	Elastomer 92SH	4
20	Gas Spring	-	3
21	Cam Driver Fixing Screws M20x65 DIN 912	-	4
22	Cam Base Fixing Screws M20x80 DIN 912	-	4