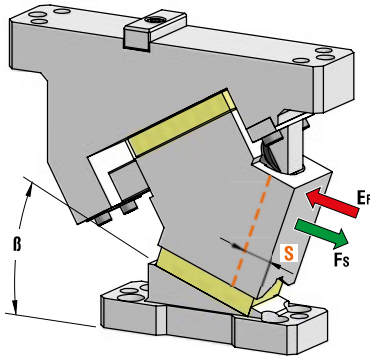


AERIAL CAM UNIT - OBEN HÄNGENDER SCHIEBER - UNITÀ A CAMME SOSPESA



OMCR CODE	Work Angle	Stroke (mm)	Max Work Force with shoulder (kN)	Extraction Force (kN)
	$\beta$	S	F <sub>s</sub>	E <sub>f</sub>
CLC050.00	0°	30,21	41	0,66
CLC050.05	5°	30,52	41	0,61
CLC050.10	10°	30,34	41	0,56
CLC050.15	15°	30,53	41	0,71
CLC050.20	20°	30,41	41	0,66
CLC050.25	25°	30	41	0,66
CLC050.30	30°	32,55	41	0,66
CLC050.35	35°	35,38	41	0,66
CLC050.40	40°	38,57	41	0,66
CLC050.45	45°	42,26	41	0,66
CLC050.50	50°	46,67	41	0,66
CLC050.55	55°	52,10	41	0,59
CLC050.60	60°	59,09	41	0,52
CLC050.65	65°	58,26	41	0,38
CLC050.70	70°	57,59	41	0,35

OPTION CODE

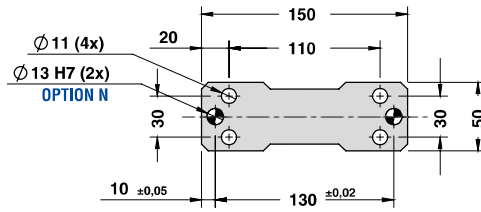
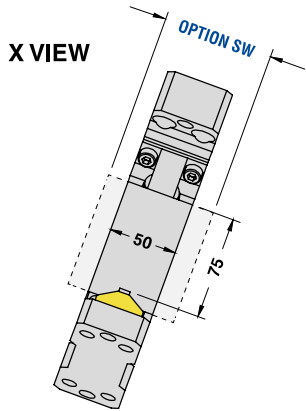
SL	1 + 60 (1mm steps)
SW	65 mm
N	∅12H7



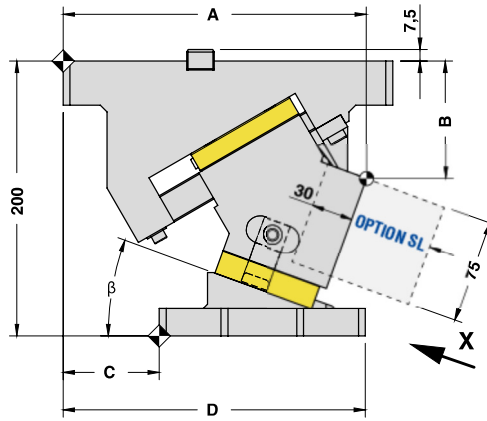
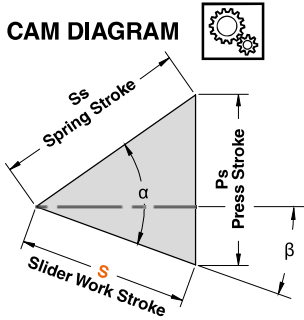
Art.	Work Angle = 5°	OPTION CODE		
		SL	SW	N
CLC050	05	SL55	SW65	N12

OMCR CODE	Work Angle	Overall Dimensions (mm)				
		$\beta$	A	B	C	D
CLC050.00	0°		225	77,50	107	257
CLC050.05	5°		226,91	78,33	100	250
CLC050.10	10°		223,72	79,93	90	240
CLC050.15	15°		224,36	82,29	85	235
CLC050.20	20°		220,76	85,39	70	220
CLC050.25	25°		215,85	89,22	58	208
CLC050.30	30°		213,58	94,73	55	205
CLC050.35	35°		204,89	96,90	35	185
CLC050.40	40°		206,72	102,69	30	180
CLC050.45	45°		202,01	103,06	20	170
CLC050.50	50°		195,73	105,94	10	160
CLC050.55	55°		189,83	116,30	0	150
CLC050.60	60°		179,27	125,08	-15	135
CLC050.65	65°		176,60	126,87	-32	118
CLC050.70	70°		177	135,83	-38	112

AERIAL CAM UNIT - OBEN HÄNGENDER SCHIEBER - UNITÀ A CAMME SOSPESA

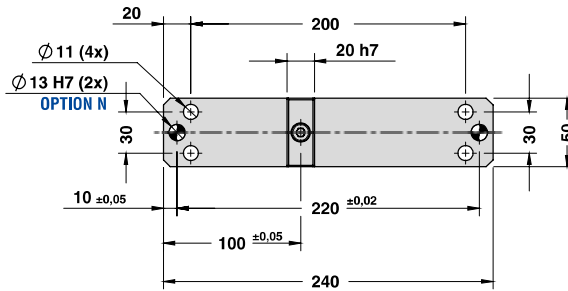


CAM DIAGRAM

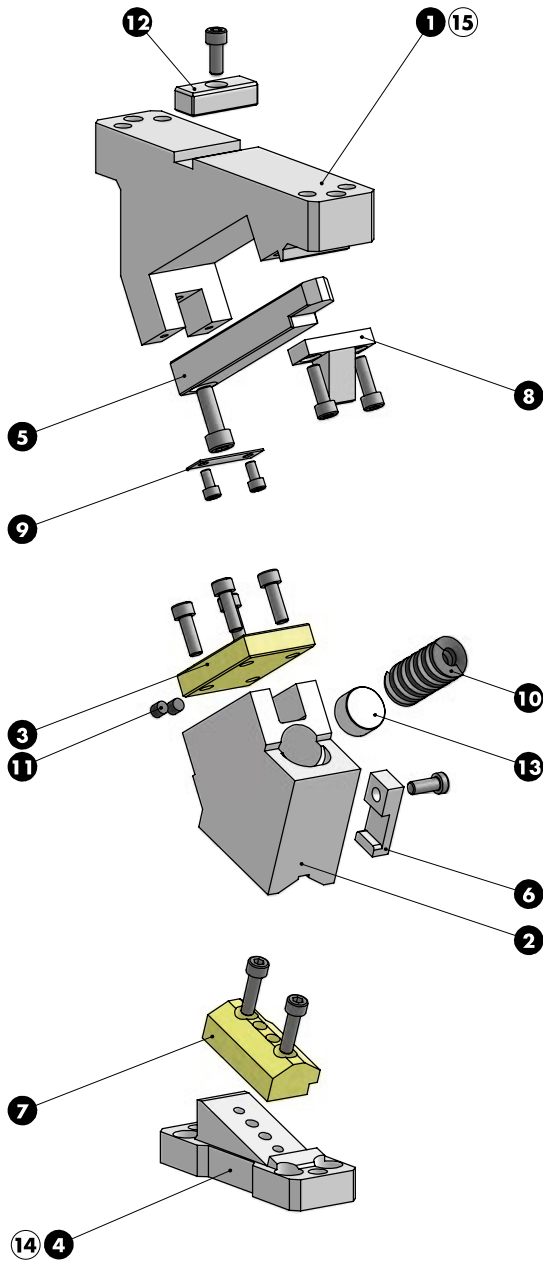


Cam Units CLC

Work Angle	Inner Angle	Slider Work Stroke (mm)	Press Stroke (mm)	Spring Stroke (mm)
$\beta$	$\alpha$	S	Ps	Ss
0°	50°	30,21	36,00	47
5°	50°	30,52	33,07	43
10°	50°	30,34	30,34	39
15°	50°	30,53	28,55	36
20°	50°	30,41	26,90	33
25°	50°	30,00	25,36	30
30°	50°	32,55	26,54	30
35°	50°	35,38	28,06	30
40°	50°	38,57	30,00	30
45°	50°	42,26	32,50	30
50°	50°	46,67	35,75	30
55°	50°	52,10	40,07	30
60°	50°	59,09	45,96	30
65°	55°	58,26	48,46	25
70°	60°	57,59	50,64	20

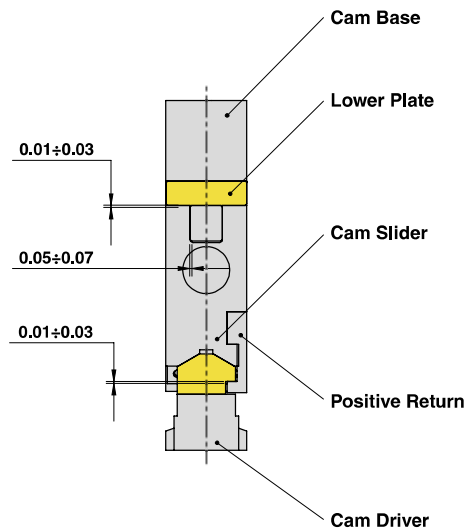


## AERIAL CAM UNIT - OBEN HÄNGENDER SCHIEBER - UNITÀ A CAMME SOSPESA



## AERIAL CAM UNIT - OBEN HÄNGENDER SCHIEBER - UNITÀ A CAMME SOSPESA

## SLIDER STRUCTURE, POSITIVE RETURN STRUCTURE AND CLEARANCES



Cam Units CLC

## PART LIST

Particular number	Description	Material	Quantity
1	Cam Base	GGG-50	1
2	Cam Slider	GGG-50	1
3	Plate	CuZn25Al5 + Graphite - HB > 190	1
4	Cam Driver	GG-25	1
5	Guide Bar	42CrMo4 + Graphite	1
6	Positive Return	CK45	1
7	Male "V" Driver	CuZn25Al5 + Graphite - HB > 190	1
8	Spring Block	St44	1
9	Safety Plate	St44	1
10	Spring	-	1
11	Elastomer Cap	Elastomer 92SH	2
12	Key	CK45	1
13	Spring Spacer	CK45	1
14	Cam Driver Fixing Screws M10x35 DIN 912	-	4
15	Cam Base Fixing Screws M10x40 DIN 912	-	4