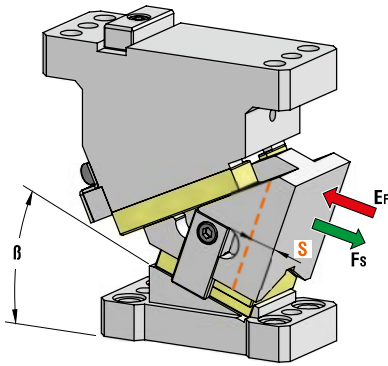


AERIAL CAM UNIT - OBEN HÄNGENDER SCHIEBER - UNITÀ A CAMME SOSPESA



P.605

OMCR CODE	Work Angle	Stroke (mm)	Max Work Force with shoulder (kN)	Extraction Force (kN)
	β	S	Fs	Ef
CLC065.00	0°	14,99	42	0,94
CLC065.05	5°	15,07	42	0,89
CLC065.10	10°	15,22	42	0,91
CLC065.15	15°	15,51	42	0,87
CLC065.20	20°	16,49	42	0,87
CLC065.25	25°	17,10	42	0,79
CLC065.30	30°	18,51	42	0,85
CLC065.35	35°	19,57	42	0,77
CLC065.40	40°	21,46	42	0,85
CLC065.45	45°	23,25	42	0,77
CLC065.50	50°	26,50	42	0,79
CLC065.55	55°	29,70	42	0,70
CLC065.60	60°	34,97	42	0,64
CLC065.65	65°	41,37	42	0,54
CLC065.70	70°	51,12	42	0,44

OPTION CODE

SL	1 ÷ 60 (1mm steps)
----	--------------------

OPTION CODE

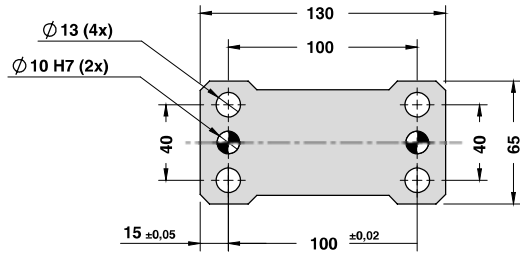
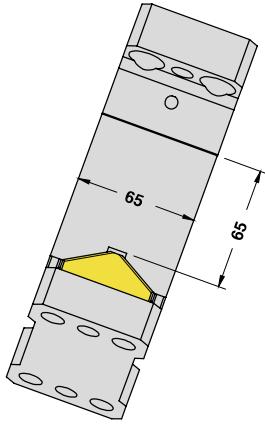


Art.	Work Angle = 5°	OPTION CODE
CLC065	05	SL55

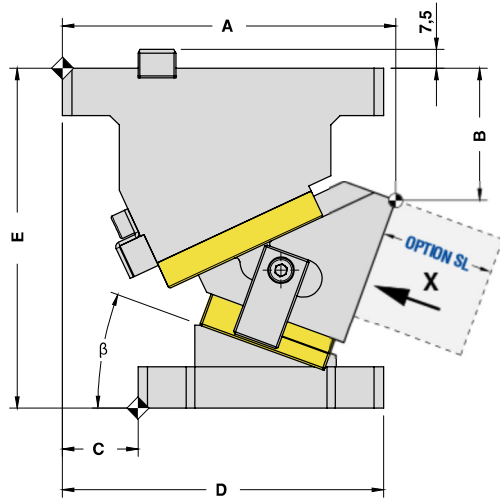
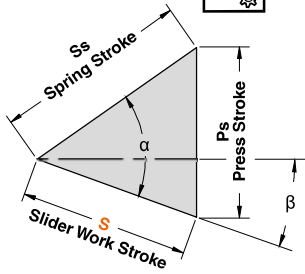
OMCR CODE	Work Angle	Overall Dimensions (mm)				
		β	A	B	C	D
CLC065.00	0°	170	53	60	190	180
CLC065.05	5°	171,41	60,27	55	185	180
CLC065.10	10°	177,16	63,06	55	185	180
CLC065.15	15°	177,20	66,33	50	180	180
CLC065.20	20°	176,51	70,01	40	170	180
CLC065.25	25°	172,94	75,64	35	165	180
CLC065.30	30°	177,78	78,32	30	160	180
CLC065.35	35°	173,29	83,25	20	150	180
CLC065.40	40°	170,78	82,44	10	140	180
CLC065.45	45°	165,50	86,51	2,5	132,5	180
CLC065.50	50°	165,41	96,79	-5	125	190
CLC065.55	55°	159,51	99,89	-10	120	190
CLC065.60	60°	156,68	120,78	-20	110	210
CLC065.65	65°	150,33	122,80	-25	105	210
CLC065.70	70°	146,45	131,68	-32	98	210

AERIAL CAM UNIT - OBEN HÄNGENDER SCHIEBER - UNITÀ A CAMME SOSPESA

X VIEW

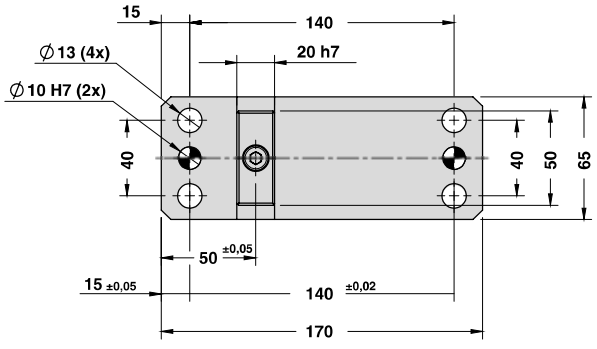


CAM DIAGRAM

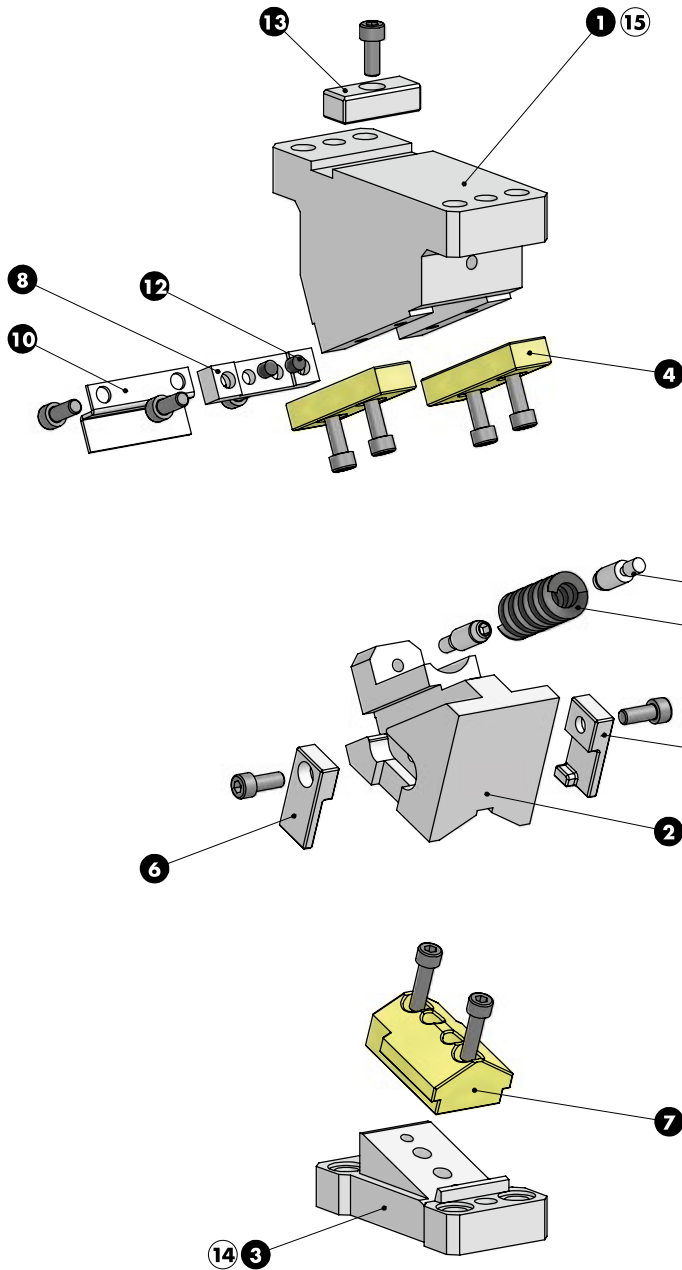


Cam Units CLC

Work Angle	Inner Angle	Slider Work Stroke (mm)	Press Stroke (mm)	Spring Stroke (mm)
β	α	S	Ps	Ss
0°	45°	14,99	14,99	21,2
5°	45°	15,07	13,91	19,6
10°	45°	15,22	13,14	18,3
15°	45°	15,51	12,66	17,3
20°	45°	16,49	12,87	17,1
25°	50°	17,10	14,45	17,1
30°	45°	18,51	13,55	16,6
35°	50°	19,57	15,52	16,6
40°	45°	21,46	15,23	16,5
45°	50°	23,25	17,88	16,5
50°	45°	26,50	18,81	17,1
55°	50°	29,70	22,84	17,1
60°	45°	34,97	25,60	18,1
65°	50°	41,37	32,81	18,1
70°	55°	51,12	43,35	18,1

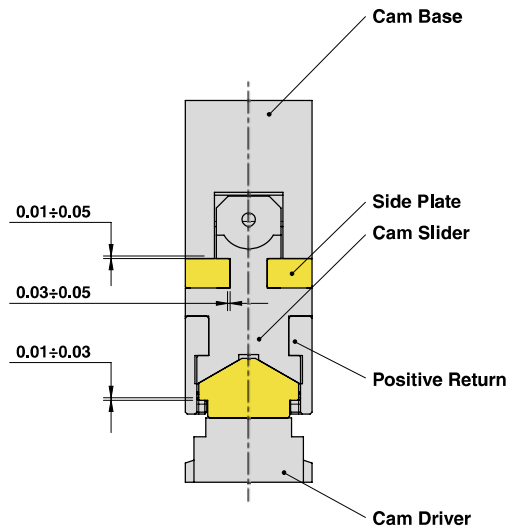


AERIAL CAM UNIT - OBEN HÄNGENDER SCHIEBER - UNITÀ A CAMME SOSPESA



AERIAL CAM UNIT - OBEN HÄNGENDER SCHIEBER - UNITÀ A CAMME SOSPESA

SLIDER STRUCTURE, POSITIVE RETURN STRUCTURE AND CLEARANCES



Cam Units CLC

PART LIST

Particular number	Description	Material	Quantity
1	Cam Base	GGG-45	1
2	Cam Slider	GG-25	1
3	Cam Driver	GG-25	1
4	Side Plate	CuZn25Al5 + Graphite - HB > 190	2
5	Positive Return R	CK45	1
6	Positive Return L	CK45	1
7	Male "V" Driver	CuZn25Al5 + Graphite - HB > 190	1
8	Stopper Plate	St44	1
9	Spring Guide Pin	34CrMo4	2
10	Safety Plate	St44	1
11	Spring	-	1
12	Elastomer Cap	Elastomer 92SH	2
13	Key	CK45	1
14	Cam Driver Fixing Screws M12x35 DIN 912	-	4
15	Cam Base Fixing Screws M12x35 DIN 912	-	4