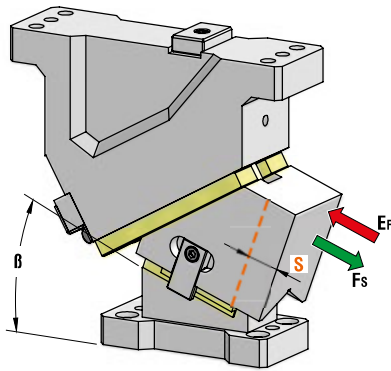


AERIAL CAM UNIT - OBEN HÄNGENDER SCHIEBER - UNITÀ A CAMME SOSPESA



P.605

OMCR CODE	Work Angle	Max Stroke (mm)	Max Work Force with shoulder (kN)	Extraction Force (kN)
	$\beta$	S	F <sub>s</sub>	E <sub>f</sub>
CLC080.00	0°	32,14	83	1,09
CLC080.05	5°	38,45	83	1,20
CLC080.10	10°	38,89	83	1,09
CLC080.15	15°	39,65	83	0,97
CLC080.20	20°	46,08	83	1,09
CLC080.25	25°	47,78	83	0,97
CLC080.30	30°	54,25	83	1,09
CLC080.35	35°	57,36	83	0,97
CLC080.40	40°	64,28	83	1,09
CLC080.45	45°	69,64	83	0,97
CLC080.50	50°	77,79	83	1,09
CLC080.55	55°	87,17	83	0,97
CLC080.60	60°	98,48	83	0,85
CLC080.65	65°	81,56	83	0,65
CLC080.70	70°	86,38	83	0,58

OPTION CODE

SL	1 + 60 (1mm steps)
SW	100 or 120 mm
N	∅ 16 H7

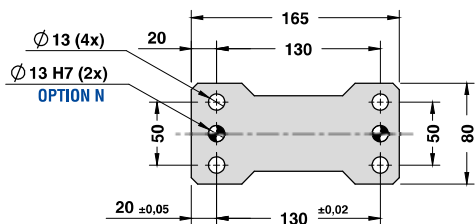
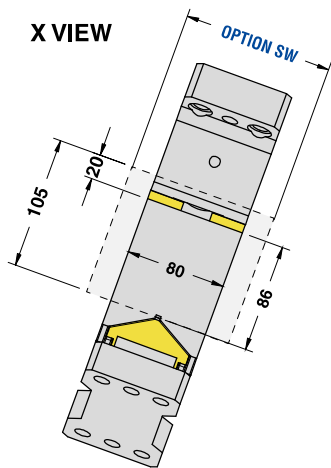
OPTION CODE



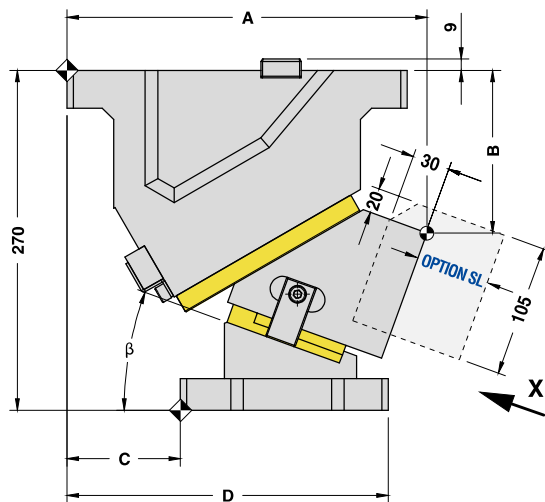
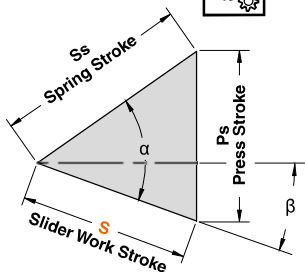
Art.	Work Angle = 5°	SL	SW	N
CLC080	05	SL55	SW120	N16

OMCR CODE	Work Angle	Overall Dimensions (mm)				
	$\beta$	A	B	C	D	E
CLC080.00	0°	260	99	100	265	130
CLC080.05	5°	272,93	109,39	100	265	150
CLC080.10	10°	279,92	120,43	100	265	150
CLC080.15	15°	285,93	132,04	100	265	150
CLC080.20	20°	285,90	129,12	90	255	170
CLC080.25	25°	289,80	141,60	90	255	170
CLC080.30	30°	282,59	134,36	75	240	170
CLC080.35	35°	284,27	147,32	75	240	170
CLC080.40	40°	274,80	140,38	60	225	170
CLC080.45	45°	274,20	153,44	60	225	170
CLC080.50	50°	262,46	151,39	35	200	170
CLC080.55	55°	259,60	164,14	35	200	170
CLC080.60	60°	240,64	176,59	0	165	170
CLC080.65	65°	235,61	188,65	-5	160	170
CLC080.70	70°	227,83	195,53	-10	155	170

AERIAL CAM UNIT - OBEN HÄNGENDER SCHIEBER - UNITÀ A CAMME SOSPESA

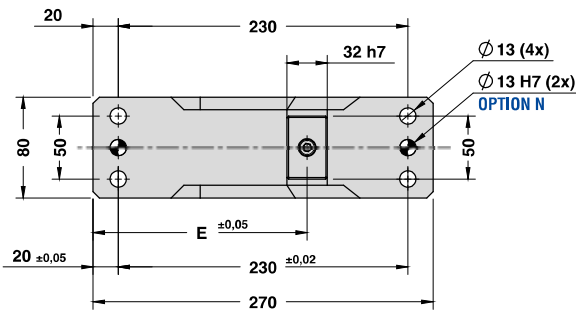


CAM DIAGRAM

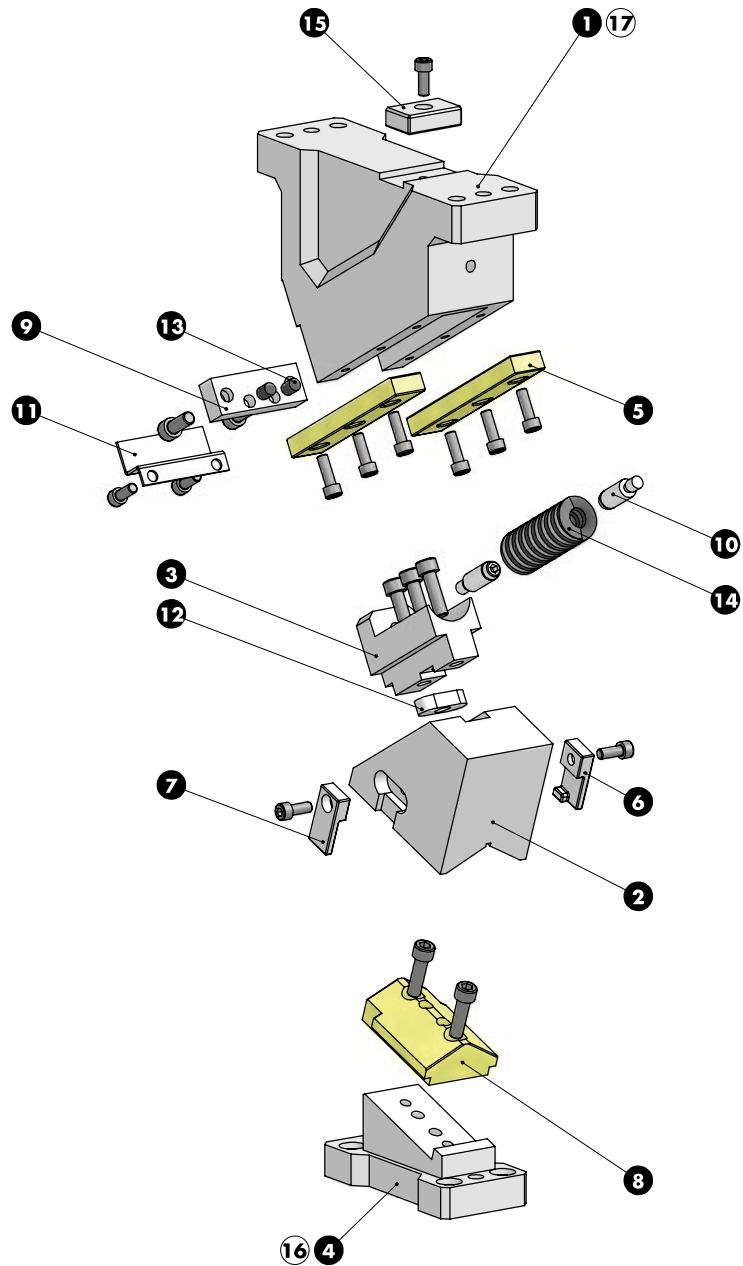


Cam Units CLC

Work Angle	Inner Angle	Slider Work Stroke (mm)	Press Stroke (mm)	Spring Stroke (mm)
$\beta$	$\alpha$	S	Ps	Ss
0°	50°	32,14	38,30	50
5°	45°	38,45	35,49	50
10°	50°	38,89	38,89	50
15°	55°	39,65	42,40	50
20°	50°	46,08	40,76	50
25°	55°	47,78	45,19	50
30°	50°	54,25	44,23	50
35°	55°	57,36	50,00	50
40°	50°	64,28	50,00	50
45°	55°	69,64	57,92	50
50°	50°	77,79	59,59	50
55°	55°	87,17	71,41	50
60°	50°	98,48	76,60	50
65°	55°	81,56	67,84	35
70°	60°	86,38	75,96	30

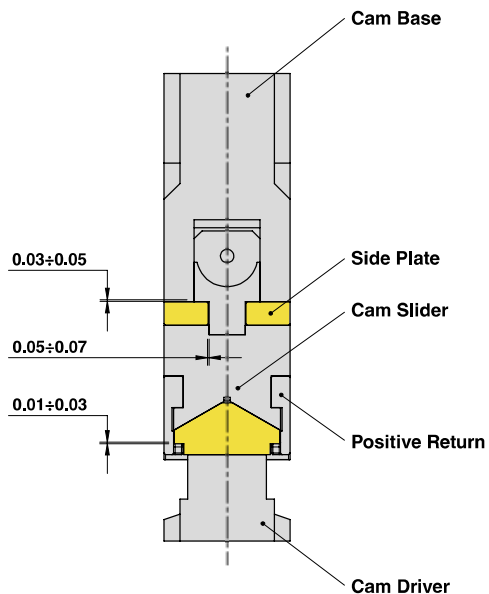


## AERIAL CAM UNIT - OBEN HÄNGENDER SCHIEBER - UNITÀ A CAMME SOSPESA



## AERIAL CAM UNIT - OBEN HÄNGENDER SCHIEBER - UNITÀ A CAMME SOSPESA

## SLIDER STRUCTURE, POSITIVE RETURN STRUCTURE AND CLEARANCES



Cam Units CLC

## PART LIST

Particular number	Description	Material	Quantity
1	Cam Base	GGG-45	1
2	Cam Slider	GG-25	1
3	Spring Guide Block	GGG-45 + Graphite	1
4	Cam Driver	GG-25	1
5	Side Plate	CuZn25Al5 + Graphite - HB > 190	2
6	Positive Return R	CK45	1
7	Positive Return L	CK45	1
8	Male "V" Driver	CuZn25Al5 + Graphite - HB > 190	1
9	Stopper Plate	St44	1
10	Spring Guide Pin	34CrMo4	2
11	Safety Plate	St44	1
12	Key	CK45	1
13	Elastomer Cap	Elastomer 92SH	2
14	Spring	-	1
15	Key	CK45	1
16	Cam Driver Fixing Screws M12x40 DIN 912	-	4
17	Cam Base Fixing Screws M12x45 DIN 912	-	4