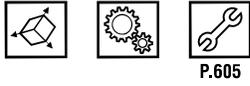
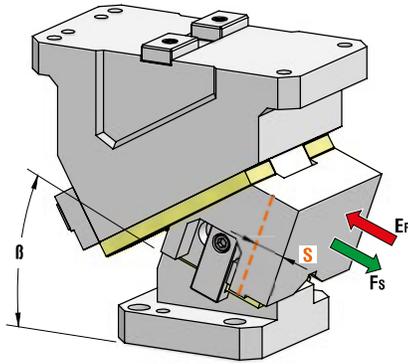


AERIAL CAM UNIT - OBEN HÄNGENDER SCHIEBER - UNITÀ A CAMME SOSPESA



OMCR CODE	Work Angle	Max Stroke (mm)	Max Work Force with shoulder (kN)	Extraction Force (kN)
	$\beta$	S	F <sub>s</sub>	E <sub>f</sub>
CLC150.00	0°	32,14	140	4,18
CLC150.05	5°	32,26	140	3,73
CLC150.10	10°	38,89	140	4,18
CLC150.15	15°	39,65	140	3,73
CLC150.20	20°	46,08	140	4,18
CLC150.25	25°	47,78	140	3,73
CLC150.30	30°	54,25	140	4,18
CLC150.35	35°	57,36	140	3,73
CLC150.40	40°	64,28	140	4,18
CLC150.45	45°	69,64	140	3,73
CLC150.50	50°	77,79	140	4,18
CLC150.55	55°	87,17	140	3,73
CLC150.60	60°	98,48	140	3,25
CLC150.65	65°	93,21	140	2,40
CLC150.70	70°	86,38	140	1,66

OPTION CODE

N	Ø16 H7
---	--------

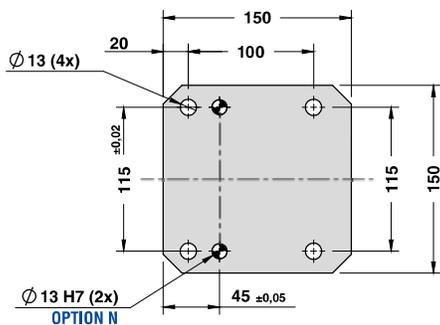
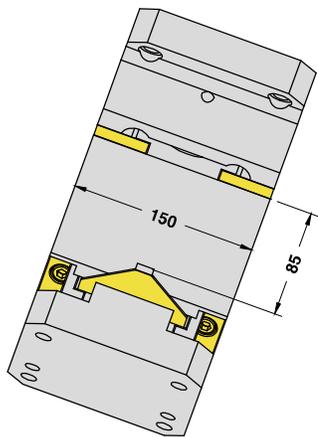
OPTION CODE

		Art.	Work Angle = 5°	N
		CLC150	05	N16

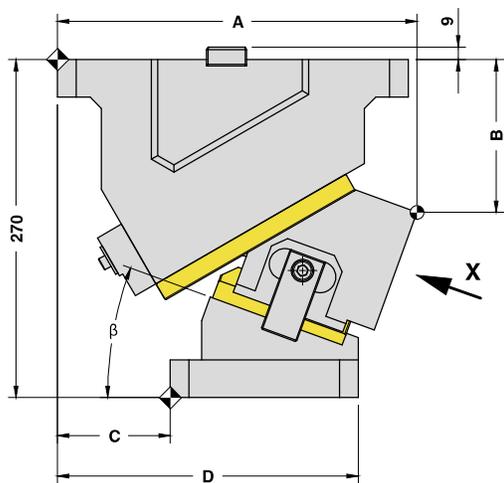
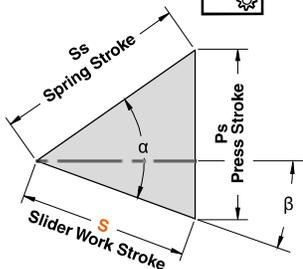
OMCR CODE	Work Angle	Overall Dimensions (mm)				
	$\beta$	A	B	C	D	E
CLC150.00	0°	280	85	120	270	100
CLC150.05	5°	288,26	95,84	115	265	100
CLC150.10	10°	285,54	102,36	105	255	100
CLC150.15	15°	291,79	114,47	105	255	100
CLC150.20	20°	286,97	122,07	90	240	135
CLC150.25	25°	291,02	135,08	90	240	135
CLC150.30	30°	283,92	138,40	70	220	135
CLC150.35	35°	285,66	151,91	70	220	135
CLC150.40	40°	276,20	155,53	45	195	170
CLC150.45	45°	275,56	169,14	45	195	170
CLC150.50	50°	263,74	167,65	25	175	170
CLC150.55	55°	260,74	180,94	25	175	170
CLC150.60	60°	246,60	193,92	0	150	170
CLC150.65	65°	241,35	206,49	0	150	170
CLC150.70	70°	240,01	218,56	-5	145	170

AERIAL CAM UNIT - OBEN HÄNGENDER SCHIEBER - UNITÀ A CAMME SOSPESA

X VIEW

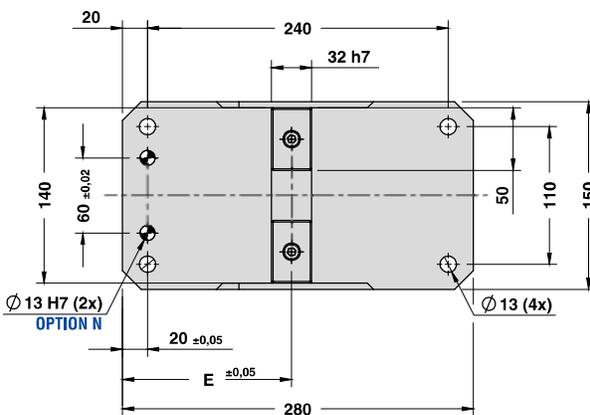


CAM DIAGRAM

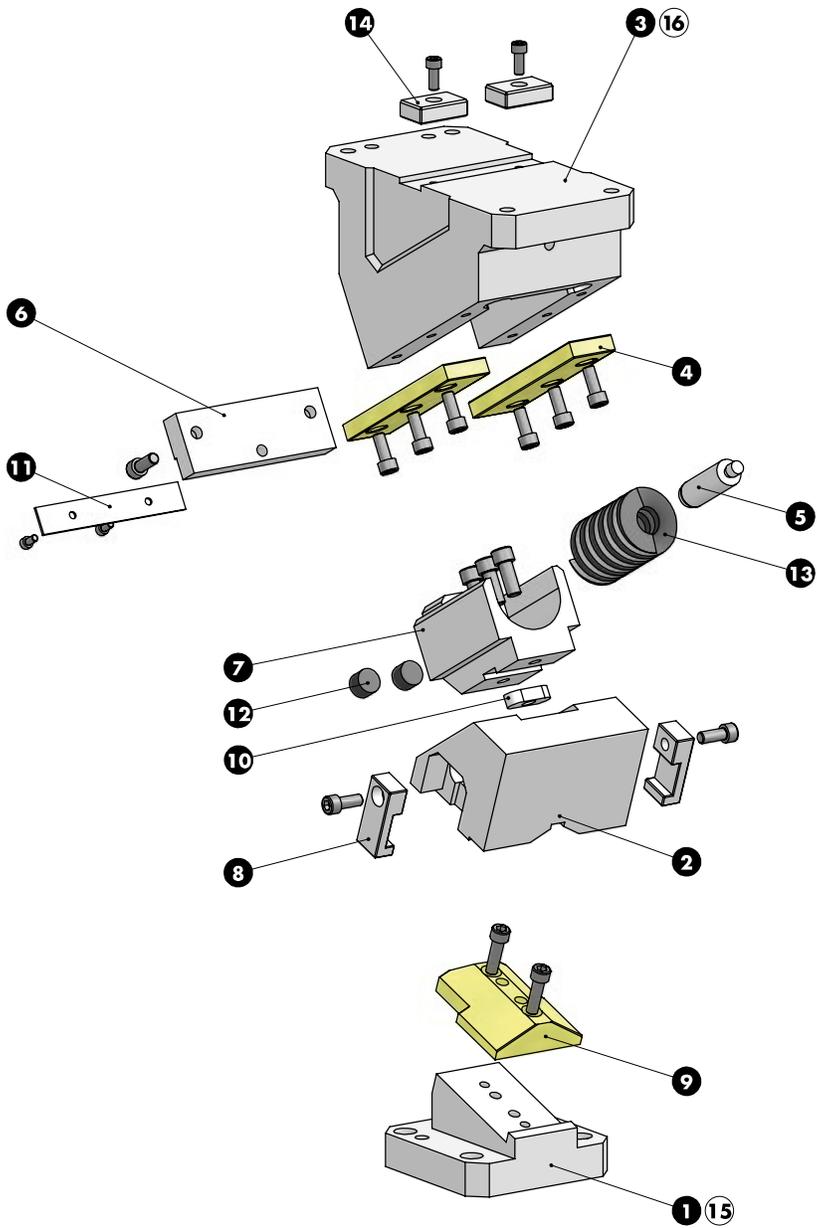


Cam Units CLC

Work Angle	Inner Angle	Slider Work Stroke (mm)	Press Stroke (mm)	Spring Stroke (mm)
$\beta$	$\alpha$	S	Ps	Ss
0°	50°	32,14	38,30	50
5°	55°	32,26	41,11	50
10°	50°	38,89	38,89	50
15°	55°	39,65	42,40	50
20°	50°	46,08	40,76	50
25°	55°	47,78	45,19	50
30°	50°	54,25	44,23	50
35°	55°	57,36	50,00	50
40°	50°	64,28	50,00	50
45°	55°	69,64	57,92	50
50°	50°	77,79	59,59	50
55°	55°	87,17	71,41	50
60°	50°	98,48	76,60	50
65°	55°	93,21	77,53	40
70°	60°	86,38	75,96	30

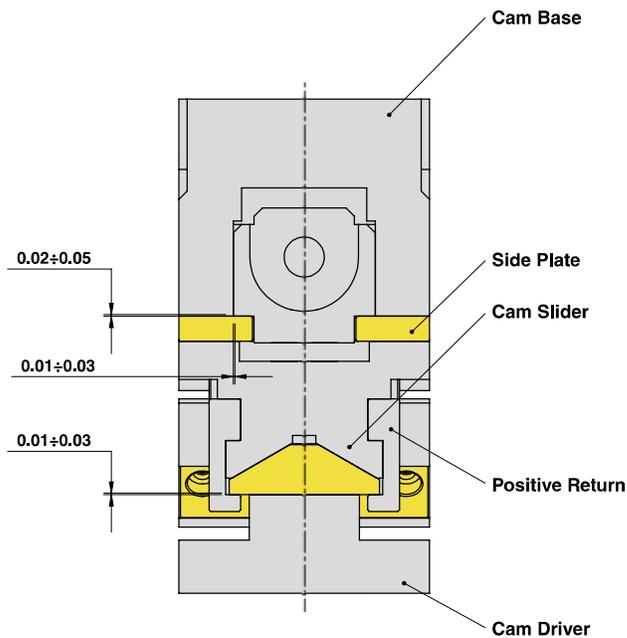


## AERIAL CAM UNIT - OBEN HÄNGENDER SCHIEBER - UNITÀ A CAMME SOSPESA



## AERIAL CAM UNIT - OBEN HÄNGENDER SCHIEBER - UNITÀ A CAMME SOSPESA

## SLIDER STRUCTURE, POSITIVE RETURN STRUCTURE AND CLEARANCES



Cam Units CLC

## PART LIST

Particular number	Description	Material	Quantity
1	Cam Driver	GG-25	1
2	Cam Slider	GG-25	1
3	Cam Base	GG-25	1
4	Side Plate	CuZn25Al5 + Graphite - HB > 190	2
5	Spring Guide Pin	34CrMo4	1
6	Stopper Plate	St44	1
7	Spring Guide Block	GGG-45 + Graphite	1
8	Positive Return	CK45	2
9	Male "V" Driver	CuZn25Al5 + Graphite - HB > 190	1
10	Key	CK45	1
11	Safety Plate	St44	1
12	Elastomer Cap	Elastomer 92SH	2
13	Spring	-	1
14	Key	CK45	2
15	Cam Driver Fixing Screws M12x45 DIN 912	-	4
16	Cam Base Fixing Screws M12x45 DIN 912	-	4