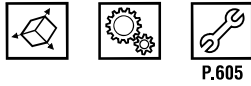
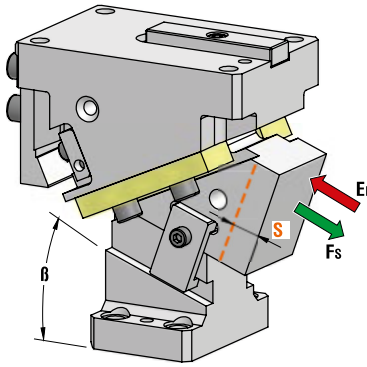


AERIAL CAM UNIT - OBEN HÄNGENDER SCHIEBER - UNITÀ A CAMME SOSPESA



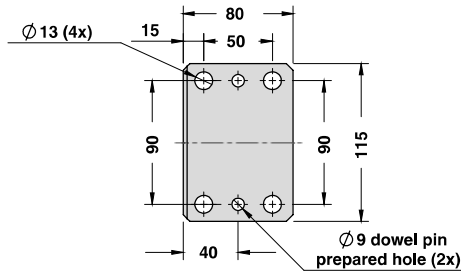
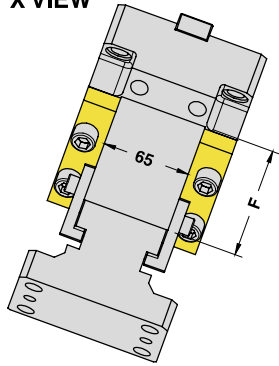
OMCR CODE	Work Angle	Max Stroke (mm)	Max Work Force with shoulder (kN)	Extraction Force (kN)
	β	S	F _s	E _f Spring
CLK065.00	0°	26,87	39	0,79
CLK065.05	5°	26,97	39	0,77
CLK065.10	10°	31,61	39	0,85
CLK065.15	15°	32,23	39	0,77
CLK065.20	20°	33,76	39	0,85
CLK065.25	25°	35	39	0,77
CLK065.30	30°	33,46	46	0,85
CLK065.35	35°	35,38	46	0,77
CLK065.40	40°	42,91	46	0,85
CLK065.45	45°	46,49	46	0,77
CLK065.50	50°	54,45	58	0,77
CLK065.55	55°	43,59	58	0,62
CLK065.60	60°	50	58	0,54
CLK065.65	65°	47,32	58	0,39
CLK065.70	70°	58,48	58	0,32

 	Art.	Work Angle = 5°
	CLK065	05

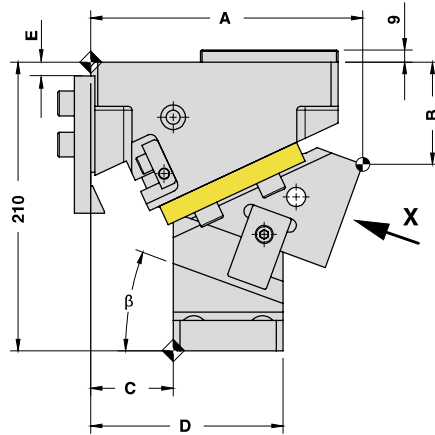
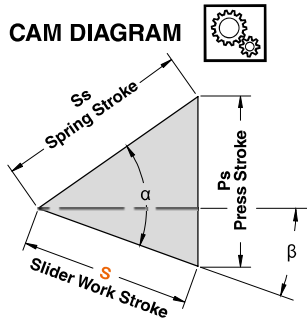
OMCR CODE	Work Angle	Overall Dimensions (mm)					
	β	A	B	C	D	E	F
CLK065.00	0°	185,94	56,57	75	155	55	80
CLK065.05	5°	193,01	56,57	70	150	55	90
CLK065.10	10°	196,80	67,58	70	150	40	80
CLK065.15	15°	203,77	68,81	67	147	40	90
CLK065.20	20°	198,10	74,31	60	140	10	80
CLK065.25	25°	204,75	76,73	55	135	10	90
CLK065.30	30°	193,63	89,52	50	130	10	80
CLK065.35	35°	199,76	93,06	45	125	10	90
CLK065.40	40°	188,72	99,62	40	120	15	80
CLK065.45	45°	194,13	104,16	34	114	15	90
CLK065.50	50°	190	110	30	110	10	90
CLK065.55	55°	190	115	20	100	10	100
CLK065.60	60°	190	115	20	100	10	100
CLK065.65	65°	190	130	0	80	10	110
CLK065.70	70°	190	130	0	80	10	110

AERIAL CAM UNIT - OBEN HÄNGENDER SCHIEBER - UNITÀ A CAMME SOSPESA

X VIEW

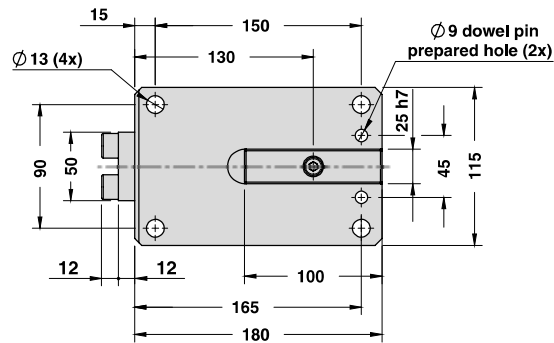


CAM DIAGRAM

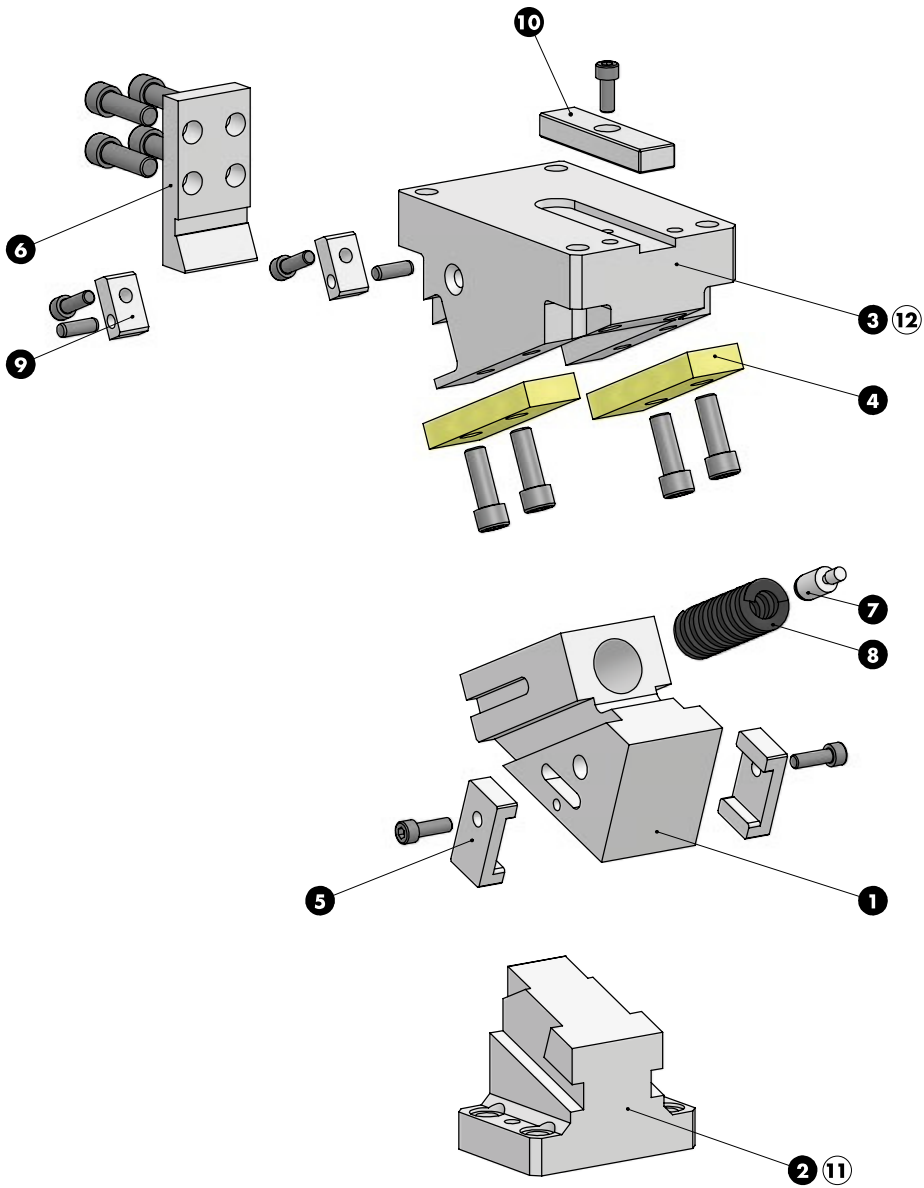


Cam Units CLK

Work Angle	Inner Angle	Slider Work Stroke (mm)	Press Stroke (mm)	Spring Stroke (mm)
β	α	S	Ps	Ss
0°	45°	26,87	26,87	38
5°	50°	26,97	29,22	38
10°	45°	31,61	27,28	38
15°	50°	32,23	30,14	38
20°	45°	33,76	26,34	35
25°	50°	35,00	29,58	35
30°	45°	33,46	24,49	30
35°	50°	35,38	28,06	30
40°	45°	42,91	30,46	33
45°	50°	46,49	35,75	33
50°	50°	54,45	41,71	35
55°	55°	43,59	35,70	25
60°	60°	50,00	43,30	25
65°	65°	47,32	42,89	20
70°	70°	58,48	54,95	20

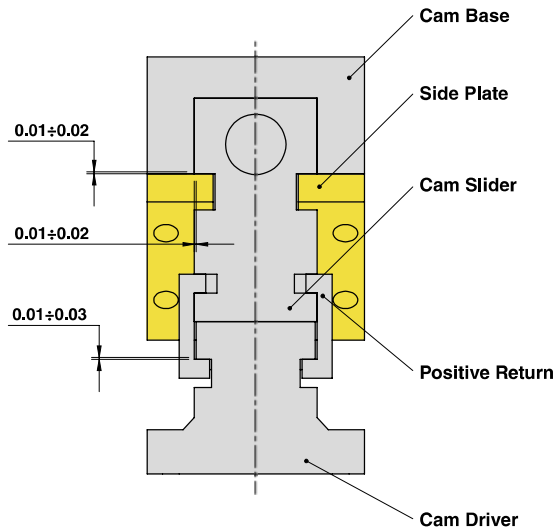


AERIAL CAM UNIT - OBEN HÄNGENDER SCHIEBER - UNITÀ A CAMME SOSPESA



AERIAL CAM UNIT - OBEN HÄNGENDER SCHIEBER - UNITÀ A CAMME SOSPESA

SLIDER STRUCTURE, POSITIVE RETURN STRUCTURE AND CLEARANCES



Cam Units CLK

PART LIST

Particular number	Description	Material	Quantity
1	Cam Slider	GG-25 + Graphite	1
2	Cam Driver	GG-25 + Graphite	1
3	Cam Base	GG-25	1
4	Side Plate	CuZn25Al5 + Graphite - HB > 190	2
5	Positive Return	CK45	2
6	Stopper Plate	St44	1
7	Spring Guide Pin	34CrMo4	1
8	Spring	-	1
9	Plate	CK45	2
10	Key	CK45	1
11	Cam Driver Fixing Screws M12x45 DIN 912	-	4
12	Cam Base Fixing Screws M12x55 DIN 912	-	4