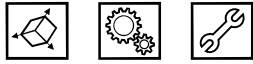
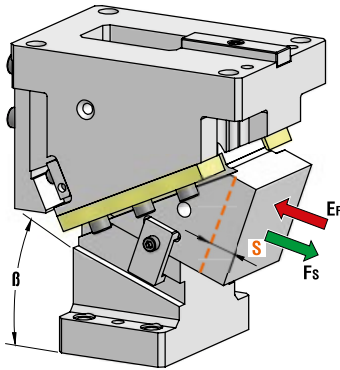


AERIAL CAM UNIT - OBEN HÄNGENDER SCHIEBER - UNITÀ A CAMME SOSPESA



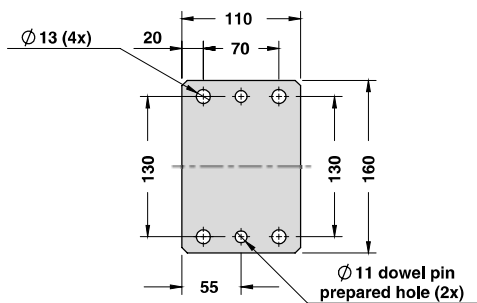
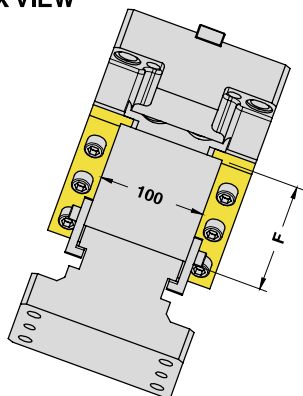
| OMCR CODE | Work Angle | Max Stroke (mm) | Max Work Force with shoulder (kN) | Extraction Force (kN) |
|-----------|------------|-----------------|-----------------------------------|--------------------------|
| | β | S | F _s | E _f Spring |
| CLK100.00 | 0° | 28,28 | 87 | 2,10 |
| CLK100.05 | 5° | 28,39 | 87 | 2,09 |
| CLK100.10 | 10° | 33,27 | 87 | 2,29 |
| CLK100.15 | 15° | 33,92 | 87 | 2,09 |
| CLK100.20 | 20° | 30,86 | 87 | 2,23 |
| CLK100.25 | 25° | 32 | 87 | 2,03 |
| CLK100.30 | 30° | 33,46 | 87 | 2,10 |
| CLK100.35 | 35° | 35,38 | 87 | 1,91 |
| CLK100.40 | 40° | 39,01 | 87 | 2,10 |
| CLK100.45 | 45° | 42,26 | 87 | 1,91 |
| CLK100.50 | 50° | 46,67 | 96 | 1,91 |
| CLK100.55 | 55° | 52,30 | 96 | 1,70 |
| CLK100.60 | 60° | 60 | 96 | 1,48 |
| CLK100.65 | 65° | 47,32 | 96 | 1,22 |
| CLK100.70 | 70° | 58,48 | 96 | 1 |

| | | | |
|--|--|--------|-----------------|
| | | Art. | Work Angle = 5° |
| | | CLK100 | 05 |

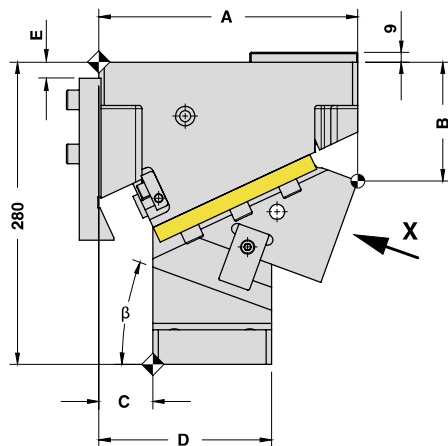
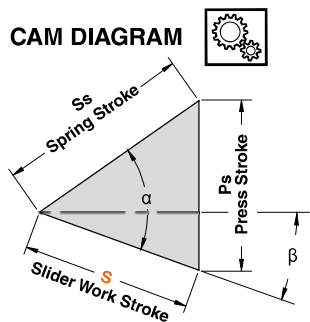
| OMCR CODE | Work Angle | Overall Dimensions (mm) | | | | | | |
|-----------|------------|-------------------------|--------|----|-----|----|-----|----|
| | β | A | B | C | D | E | F | G |
| CLK100.00 | 0° | 240 | 85 | 60 | 170 | 55 | 100 | 17 |
| CLK100.05 | 5° | 236,89 | 73,82 | 60 | 170 | 55 | 140 | 17 |
| CLK100.10 | 10° | 240 | 90 | 60 | 170 | 35 | 100 | 17 |
| CLK100.15 | 15° | 254,35 | 81,51 | 60 | 170 | 35 | 140 | 17 |
| CLK100.20 | 20° | 240 | 110 | 50 | 160 | 15 | 100 | 18 |
| CLK100.25 | 25° | 253,26 | 102,6 | 50 | 160 | 15 | 140 | 18 |
| CLK100.30 | 30° | 240 | 110 | 30 | 140 | 10 | 120 | 17 |
| CLK100.35 | 35° | 252,34 | 109,69 | 30 | 140 | 10 | 140 | 17 |
| CLK100.40 | 40° | 240 | 115 | 30 | 140 | 10 | 120 | 17 |
| CLK100.45 | 45° | 247,41 | 114,68 | 30 | 140 | 10 | 140 | 17 |
| CLK100.50 | 50° | 240 | 120 | 10 | 120 | 10 | 140 | 16 |
| CLK100.55 | 55° | 240 | 145 | 0 | 110 | 10 | 140 | 16 |
| CLK100.60 | 60° | 240 | 145 | 0 | 110 | 10 | 140 | 16 |
| CLK100.65 | 65° | 240 | 145 | 0 | 110 | 10 | 140 | 16 |
| CLK100.70 | 70° | 240 | 145 | 0 | 110 | 10 | 140 | 16 |

AERIAL CAM UNIT - OBEN HÄNGENDER SCHIEBER - UNITÀ A CAMME SOSPESA

X VIEW

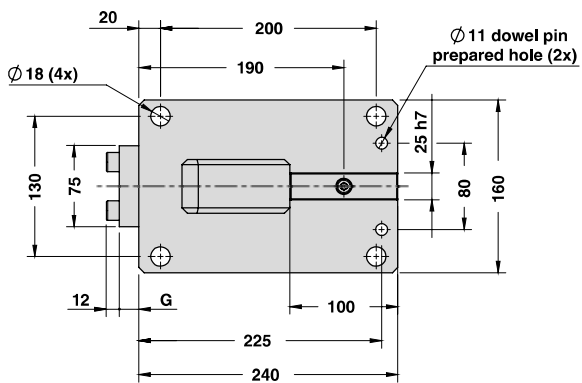


CAM DIAGRAM

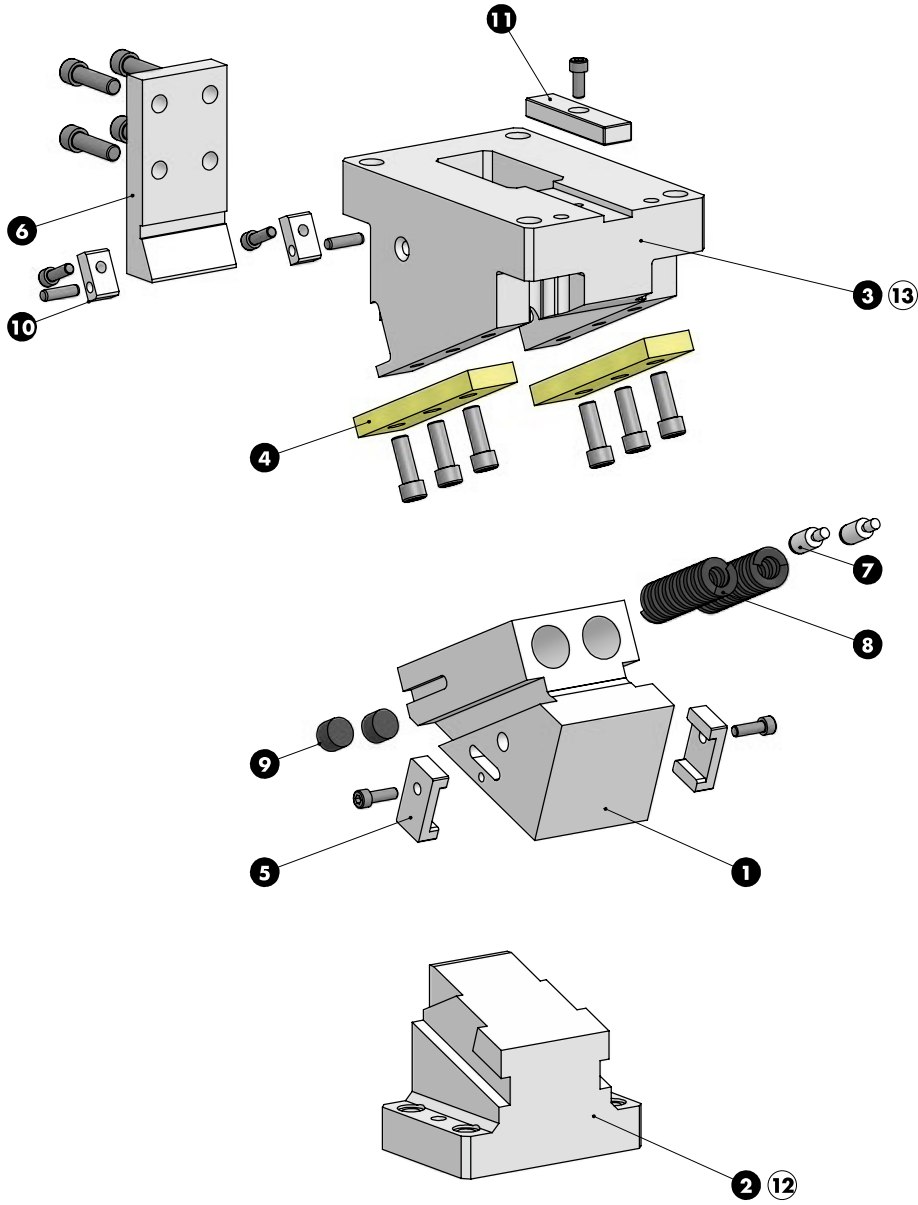


Cam Units CLK

| Work Angle | Inner Angle | Slider Work Stroke (mm) | Press Stroke (mm) | Spring Stroke (mm) |
|------------|-------------|-------------------------|-------------------|--------------------|
| β | α | S | Ps | Ss |
| 0° | 45° | 28,28 | 28,28 | 40 |
| 5° | 50° | 28,39 | 30,76 | 40 |
| 10° | 45° | 33,27 | 28,72 | 40 |
| 15° | 50° | 33,92 | 31,72 | 40 |
| 20° | 45° | 30,86 | 24,08 | 32 |
| 25° | 50° | 32,00 | 27,05 | 32 |
| 30° | 45° | 33,46 | 24,49 | 30 |
| 35° | 50° | 35,38 | 28,06 | 30 |
| 40° | 45° | 39,01 | 27,69 | 30 |
| 45° | 50° | 42,26 | 32,50 | 30 |
| 50° | 50° | 46,67 | 35,75 | 30 |
| 55° | 55° | 52,30 | 42,84 | 30 |
| 60° | 60° | 60,00 | 51,96 | 30 |
| 65° | 65° | 47,32 | 42,89 | 20 |
| 70° | 70° | 58,48 | 54,95 | 20 |

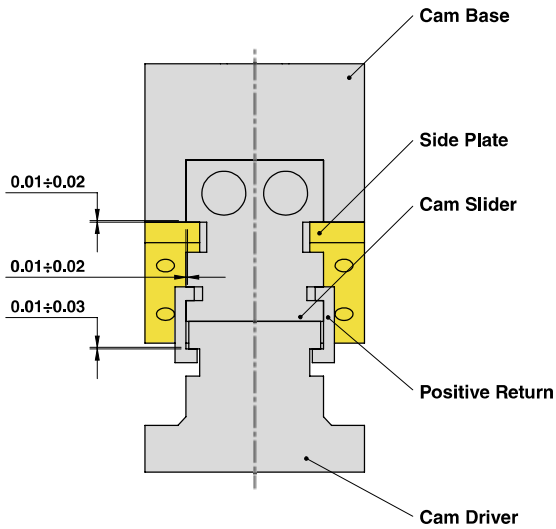


AERIAL CAM UNIT - OBEN HÄNGENDER SCHIEBER - UNITÀ A CAMME SOSPESA



AERIAL CAM UNIT - OBEN HÄNGENDER SCHIEBER - UNITÀ A CAMME SOSPESA

SLIDER STRUCTURE, POSITIVE RETURN STRUCTURE AND CLEARANCES



Cam Units CLK

PART LIST

| Particular number | Description | Material | Quantity |
|-------------------|---|---------------------------------|----------|
| 1 | Cam Slider | GG-25 + Graphite | 1 |
| 2 | Cam Driver | GG-25 + Graphite | 1 |
| 3 | Cam Base | GG-25 | 1 |
| 4 | Side Plate | CuZn25Al5 + Graphite - HB > 190 | 2 |
| 5 | Positive Return | CK45 | 2 |
| 6 | Stopper Plate | St44 | 1 |
| 7 | Spring Guide Pin | 34CrMo4 | 2 |
| 8 | Spring | - | 2 |
| 9 | Elastomer Cap | Elastomer 92SH | 2 |
| 10 | Plate | CK45 | 2 |
| 11 | Key | CK45 | 1 |
| 12 | Cam Driver Fixing Screws M12x55 DIN 912 | - | 4 |
| 13 | Cam Base Fixing Screws M16x70 DIN 912 | - | 4 |