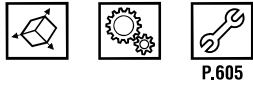
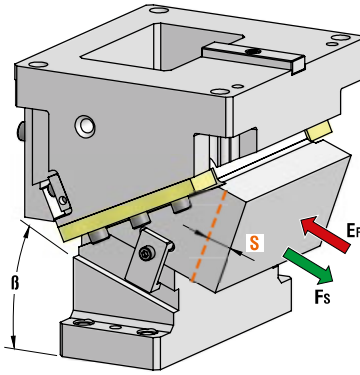


AERIAL CAM UNIT - OBEN HÄNGENDER SCHIEBER - UNITÀ A CAMME SOSPESA



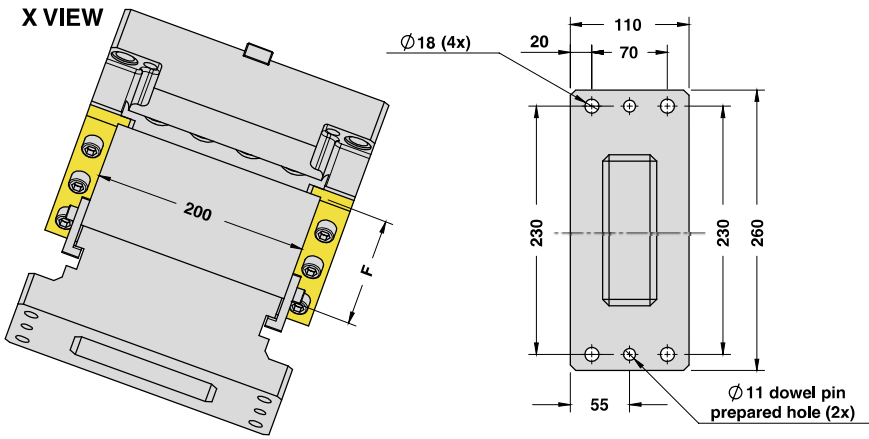
OMCR CODE	Work Angle	Max Stroke (mm)	Max Work Force with shoulder (kN)	Extraction Force (kN)
	$\beta$	S	F <sub>s</sub>	E <sub>f</sub> Spring
CLK200.00	0°	28,28	193	4,21
CLK200.05	5°	28,39	193	4,17
CLK200.10	10°	33,27	193	4,59
CLK200.15	15°	33,92	193	4,17
CLK200.20	20°	30,86	193	4,46
CLK200.25	25°	32	193	4,05
CLK200.30	30°	33,46	193	4,20
CLK200.35	35°	35,38	193	3,81
CLK200.40	40°	39,01	193	4,20
CLK200.45	45°	42,26	193	3,81
CLK200.50	50°	46,67	231	3,81
CLK200.55	55°	52,30	231	3,40
CLK200.60	60°	60	231	2,97
CLK200.65	65°	47,32	231	2,45
CLK200.70	70°	58,48	231	1,98

		Art.	Work Angle = 5°
		CLK200	05

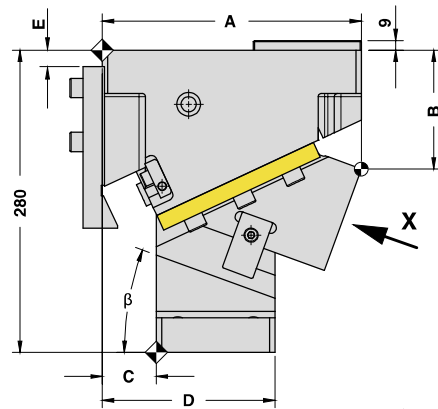
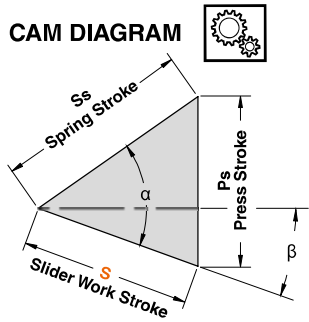
OMCR CODE	Work Angle	Overall Dimensions (mm)							
	$\beta$	A	B	C	D	E	F	G	H
CLK200.00	0°	240	90	60	170	60	100	17	190
CLK200.05	5°	236,82	78,84	60	170	60	130	17	190
CLK200.10	10°	240	90	60	170	35	100	17	150
CLK200.15	15°	254,35	81,51	60	170	35	130	17	150
CLK200.20	20°	240	110	50	160	15	100	18	150
CLK200.25	25°	253,27	102,6	50	160	15	130	18	150
CLK200.30	30°	240	110	30	140	10	120	17	150
CLK200.35	35°	252,34	109,69	30	140	10	140	17	150
CLK200.40	40°	240	115	30	140	10	120	17	150
CLK200.45	45°	247,41	114,68	30	140	10	140	17	150
CLK200.50	50°	240	120	10	120	10	140	16	150
CLK200.55	55°	240	145	0	110	10	140	16	150
CLK200.60	60°	240	145	0	110	10	140	16	150
CLK200.65	65°	240	145	0	110	10	140	16	150
CLK200.70	70°	240	145	0	110	10	140	16	150

AERIAL CAM UNIT - OBEN HÄNGENDER SCHIEBER - UNITÀ A CAMME SOSPESA

X VIEW

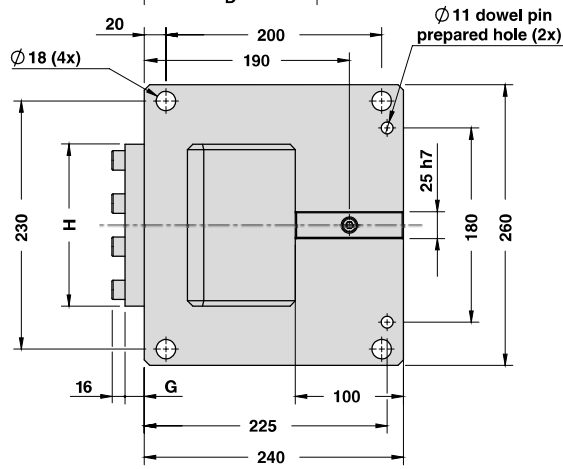


CAM DIAGRAM

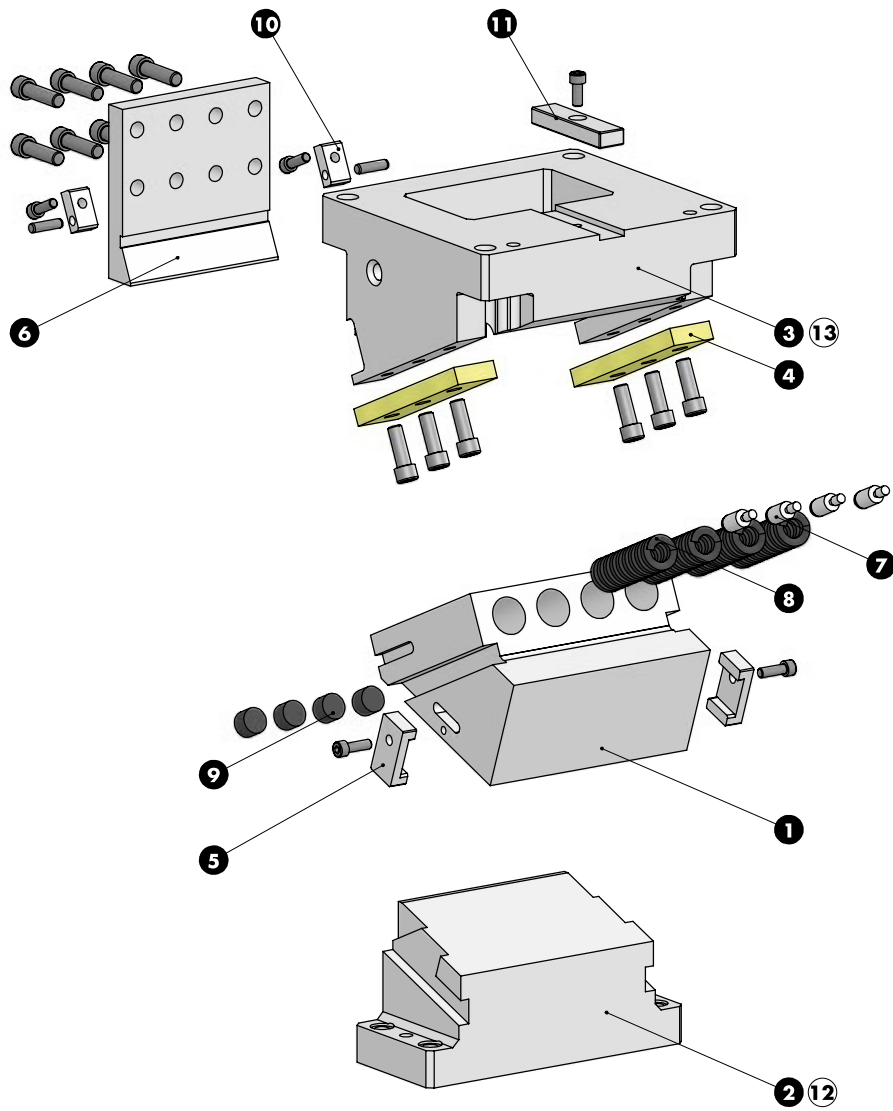


Cam Units CLK

Work Angle	Inner Angle	Slider Work Stroke (mm)	Press Stroke (mm)	Spring Stroke (mm)
$\beta$	$\alpha$	S	Ps	Ss
0°	45°	28,28	28,28	40
5°	50°	28,39	30,76	40
10°	45°	33,27	28,72	40
15°	50°	33,92	31,72	40
20°	45°	30,86	24,08	32
25°	50°	32,00	27,05	32
30°	45°	33,46	24,49	30
35°	50°	35,38	28,06	30
40°	45°	39,01	27,69	30
45°	50°	42,26	32,50	30
50°	50°	46,67	35,75	30
55°	55°	52,30	42,84	30
60°	60°	60,00	51,96	30
65°	65°	47,32	42,89	20
70°	70°	58,48	54,95	20

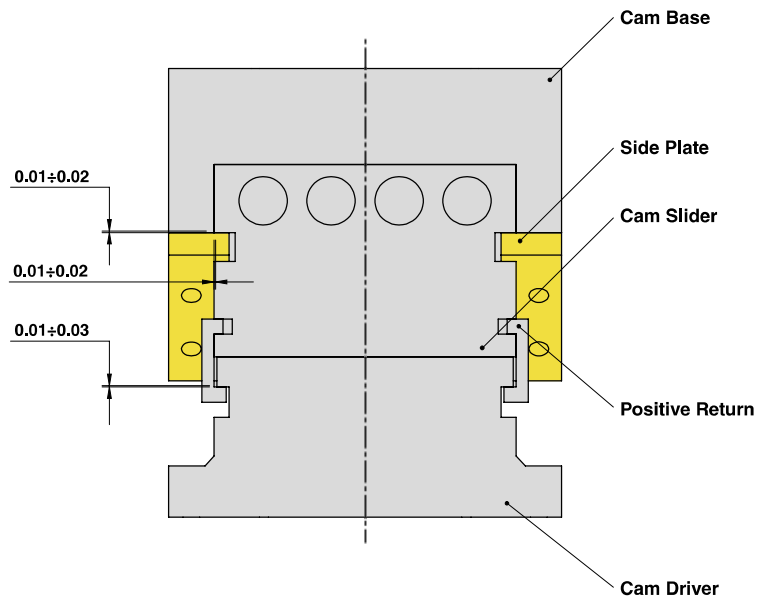


AERIAL CAM UNIT - OBEN HÄNGENDER SCHIEBER - UNITÀ A CAMME SOSPESA



AERIAL CAM UNIT - OBEN HÄNGENDER SCHIEBER - UNITÀ A CAMME SOSPESA

SLIDER STRUCTURE, POSITIVE RETURN STRUCTURE AND CLEARANCES



Cam Units CLK

PART LIST

Particular number	Description	Material	Quantity
1	Cam Slider	GG-25 + Graphite	1
2	Cam Driver	GG-25 + Graphite	1
3	Cam Base	GG-25	1
4	Side Plate	CuZn25Al5 + Graphite - HB > 190	2
5	Positive Return	CK45	2
6	Stopper Plate	St44	1
7	Spring Guide Pin	34CrMo4	4
8	Spring	-	4
9	Elastomer Cap	Elastomer 92SH	4
10	Plate	CK45	2
11	Key	CK45	1
12	Cam Driver Fixing Screws M16x60 DIN 912	-	4
13	Cam Base Fixing Screws M16x70 DIN 912	-	4