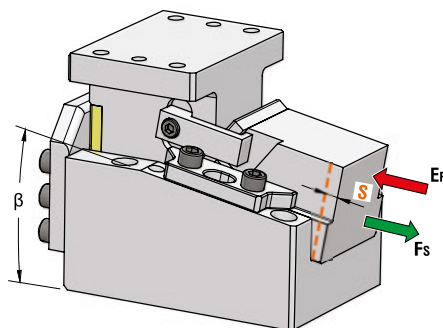




DIE MOUNTED CAM UNIT - HORIZONTALSCHIEBER - UNITÀ A CAMME A BASE STAMPO



P.605

OMCR CODE	Work Angle	Stroke (mm)	Max Work Force with shoulder (kN)	Extraction Force (kN)
	$\beta$	S	Fs	Ef Spring
DHC065.00.40	0°	40	44	0,79
DHC065.00.60	0°	60	44	0,80
DHC065.05.45	5°	45	48	0,78
DHC065.05.70	5°	70	48	1,02
DHC065.10.45	10°	45	48	0,78
DHC065.10.70	10°	70	48	1,02
DHC065.15.45	15°	45	48	0,78
DHC065.15.70	15°	70	48	1,02
DHC065.20.45	20°	45	48	0,78
DHC065.20.70	20°	70	48	1,02

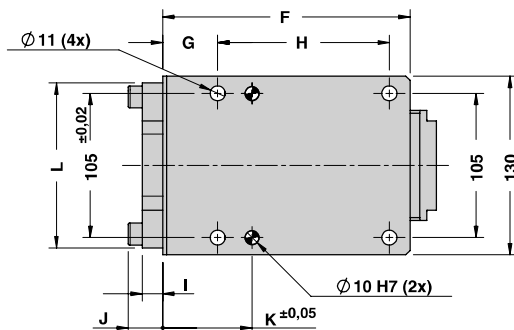
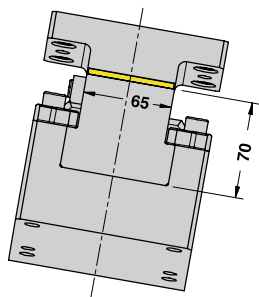
STOCK	ORDER SAMPLE	Art.	Work Angle = 0°	Stroke = 60
		DHC065	00	60

OMCR CODE	Work Angle	Stroke (mm)	Overall Dimensions (mm)														
	$\beta$	S	A	B	C	D	E	F	G	H	I	J	K	L	M	N	O
DHC065.00.40	0°	40	140	115	25	80	160	145	30	100	12	27	80	130	60	50	100
DHC065.00.60	0°	60	190	115	25	80	160	180	40	125	12	22	105	130	70	55	110
DHC065.05.45	5°	45	150,55	112,10	12,5	100	160	145	30	100	15	25	80	120	60	50	100
DHC065.05.70	5°	70	195,38	123,17	25	100	170	180	40	125	15	25	65	120	60	50	100
DHC065.10.45	10°	45	154,95	108,76	20	100	160	145	30	100	15	25	79	120	60	50	100
DHC065.10.70	10°	70	199,27	110,94	25	100	170	180	40	125	15	25	65	120	60	50	100
DHC065.15.45	15°	45	158,18	105,09	25	100	170	145	30	100	15	25	80	120	60	50	100
DHC065.15.70	15°	70	201,64	103,44	40	100	170	180	40	125	15	25	65	120	70	55	110
DHC065.20.45	20°	45	160,20	101,19	30	100	170	145	30	100	15	25	80	120	60	50	100
DHC065.20.70	20°	70	202,48	95,79	40	100	170	180	40	125	15	25	65	120	70	55	110

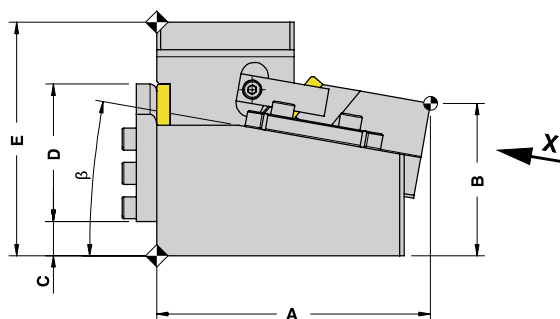
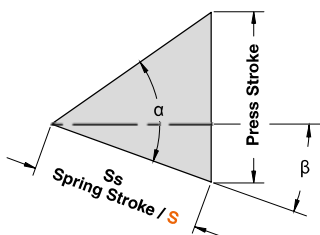


DIE MOUNTED CAM UNIT - HORIZONTALSCHIEBER - UNITÀ A CAMME A BASE STAMPO

X VIEW

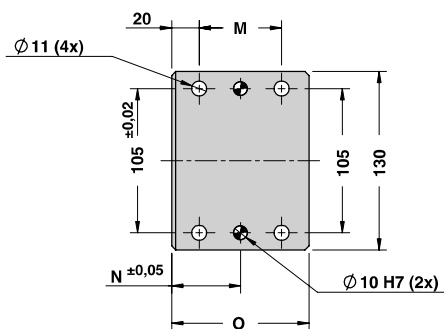


CAM DIAGRAM



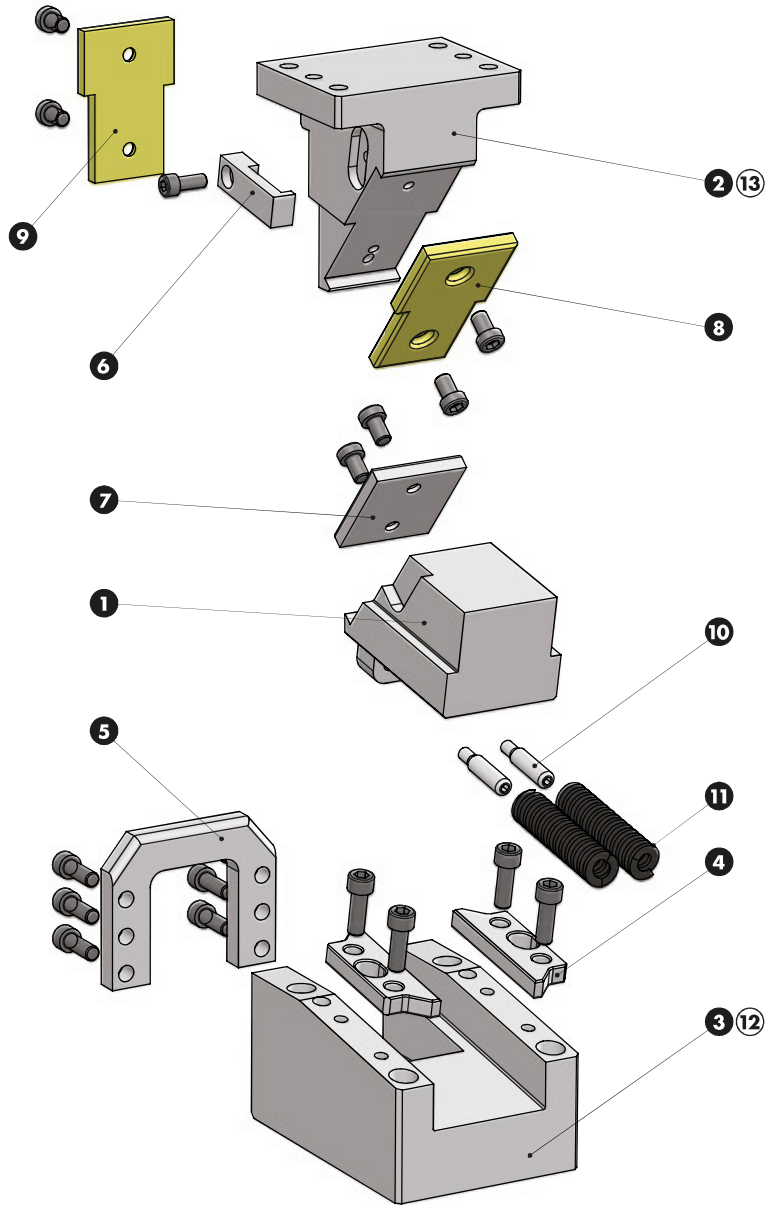
Cam Units DHC

Work Angle	Inner Angle	Slider Work Stroke (mm)	Press Stroke (mm)	Spring Stroke (mm)
$\beta$	$\alpha$	S	Ps	Ss
0°	45°	40	40	40
0°	45°	60	60	60
5°	60°	45	67,94	45
5°	60°	70	105,69	70
10°	60°	45	60,63	45
10°	60°	70	94,31	70
15°	60°	45	55,11	45
15°	60°	70	85,73	70
20°	60°	45	50,87	45
20°	60°	70	79,14	70





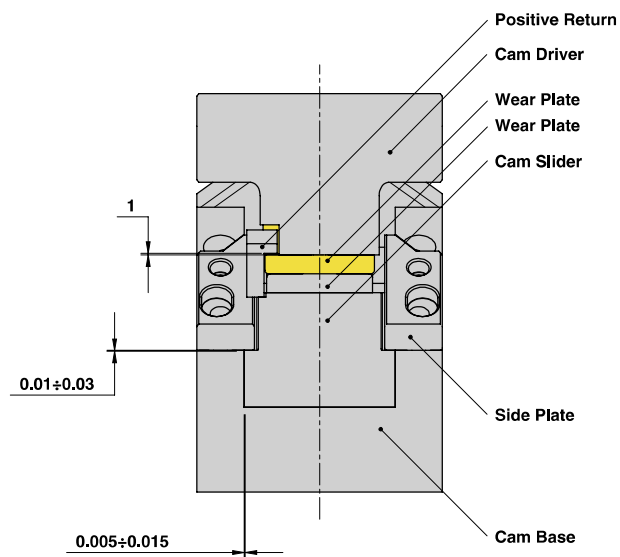
## DIE MOUNTED CAM UNIT - HORIZONTALSCHIEBER - UNITÀ A CAMME A BASE STAMPO





## DIE MOUNTED CAM UNIT - HORIZONTALSCHIEBER - UNITÀ A CAMME A BASE STAMPO

## SLIDER STRUCTURE, POSITIVE RETURN STRUCTURE AND CLEARANCES



Cam Units DHC

## PART LIST

Particular number	Description	Material	Quantity
1	Cam Slider	GGG-50 + Graphite	1
2	Cam Driver	GG-25	1
3	Cam Base	GG-25	1
4	Side Plate	CK45	2
5	Stopper Plate	CK45	1
6	Positive Return	CK45	1
7	Wear Plate	CK45	1
8	Wear Plate	CuZn25Al5 + Graphite - HB > 190	1
9	Wear Plate	CuZn25Al5 + Graphite - HB > 190	1
10	Spring Guide Pin	CK45	2
11	Spring	-	2
12	Cam Base Fixing Screws M10x50 DIN 912	-	4
13	Cam Driver Fixing Screws M10x40 DIN 912	-	4