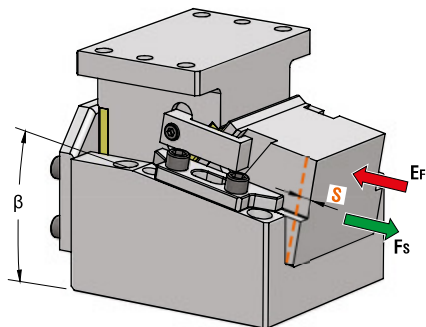




DIE MOUNTED CAM UNIT - HORIZONTALSCHIEBER - UNITÀ A CAMME A BASE STAMPO



P.605

OMCR CODE	Work Angle	Stroke (mm)	Max Work Force with shoulder (kN)	Extraction Force (kN)
	β	S	Fs	Ef Gas Spring
DHC100.00.40	0°	40	75	4,6
DHC100.00.60	0°	60	75	5,9
DHC100.00.80	0°	80	75	6,8
DHC100.05.45	5°	45	82	4,6
DHC100.05.70	5°	70	82	6,1
DHC100.10.45	10°	45	82	4,6
DHC100.10.70	10°	70	82	6,1
DHC100.15.45	15°	45	82	4,6
DHC100.15.70	15°	70	82	6,1
DHC100.20.45	20°	45	82	4,6
DHC100.20.70	20°	70	82	6,1

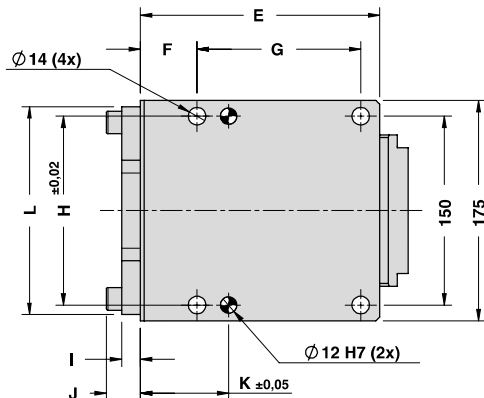
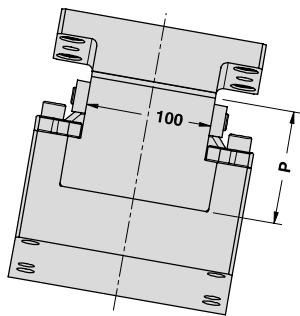
STOCK	ORDER EXAMPLE	Art.	Work Angle = 0°	Stroke = 60
		DHC100	00	60

OMCR CODE	Work Angle	Stroke (mm)	Overall Dimensions (mm)															
			β	S	A	B	C	D	E	F	G	H	I	J	K	L	M	N
DHC100.00.40	0°	40	190	150	30	90	190	45	130	140	16	28	105	170	80	60	120	100
DHC100.00.60	0°	60	210	150	30	90	190	45	130	140	16	28	105	170	100	70	140	100
DHC100.00.80	0°	80	250	150	10	115	220	45	160	140	15	27	135	165	110	75	150	100
DHC100.05.45	5°	45	172,22	145,28	27,5	115	160	40	105	140	15	27	90	165	60	50	100	90
DHC100.05.70	5°	70	207,08	147,23	30	115	190	45	130	150	15	27	70	165	80	60	120	90
DHC100.10.45	10°	45	178,12	134,98	30	115	160	40	105	140	15	27	90	165	60	50	100	90
DHC100.10.70	10°	70	212,59	133,90	30	115	190	45	130	150	15	27	70	165	80	60	120	90
DHC100.15.45	15°	45	182,67	129,23	32,5	115	160	40	105	140	15	27	90	165	70	55	110	90
DHC100.15.70	15°	70	216,48	130,17	35	115	190	45	130	150	15	27	70	165	90	65	130	90
DHC100.20.45	20°	45	185,83	118,14	35	115	160	40	105	140	15	27	90	165	70	55	110	90
DHC100.20.70	20°	70	218,72	121,17	45	115	190	45	130	150	15	27	70	165	90	65	130	90

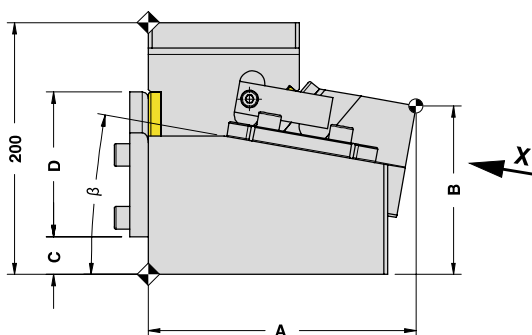
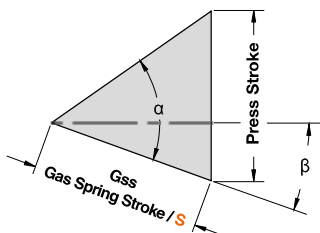


DIE MOUNTED CAM UNIT - HORIZONTALSCHIEBER - UNITÀ A CAMME A BASE STAMPO

X VIEW

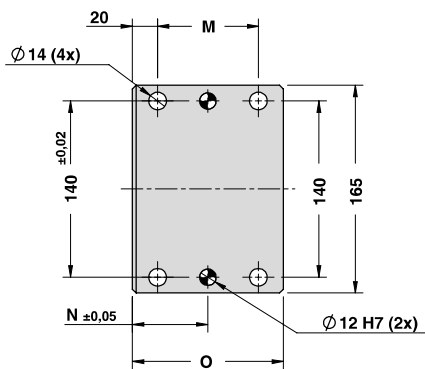


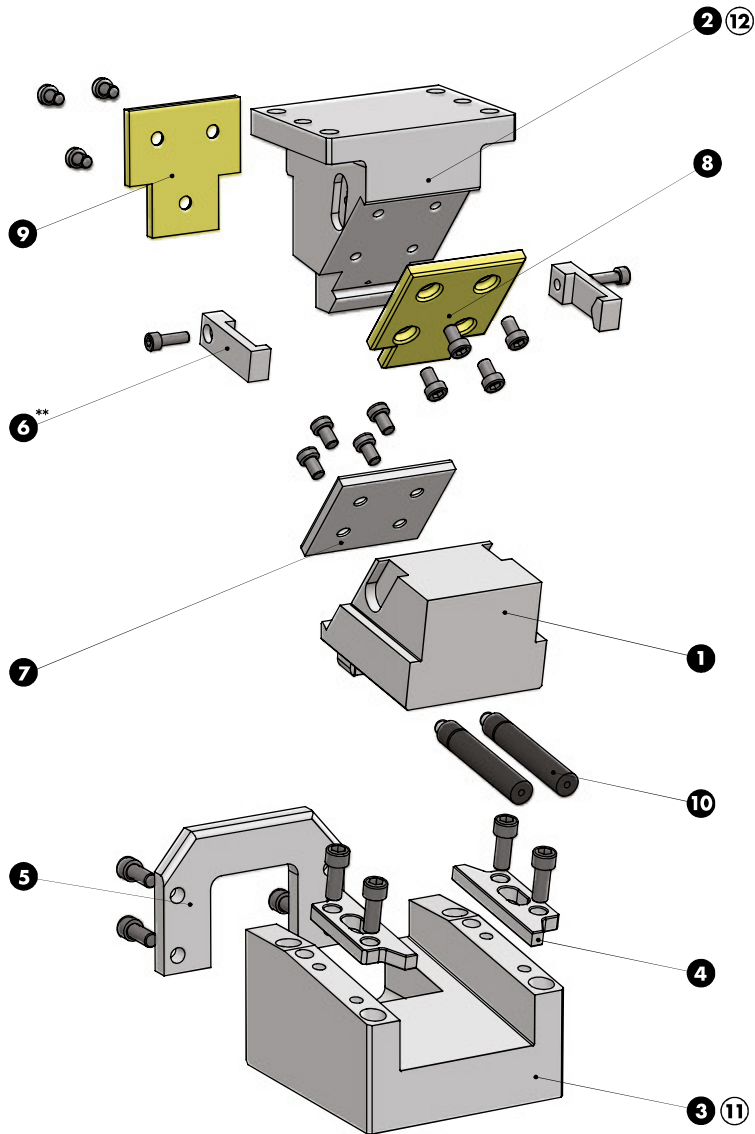
CAM DIAGRAM



Cam Units DHC

Work Angle	Inner Angle	Slider Work Stroke (mm)	Press Stroke (mm)	Gas Spring Stroke (mm)
β	α	S	Ps	Gss
0°	45°	40	40	40
0°	45°	60	60	60
0°	45°	80	80	80
5°	60°	45	67,94	45
5°	60°	70	105,69	70
10°	60°	45	60,63	45
10°	60°	70	94,31	70
15°	60°	45	55,11	45
15°	60°	70	85,73	70
20°	60°	45	50,87	45
20°	60°	70	79,14	70



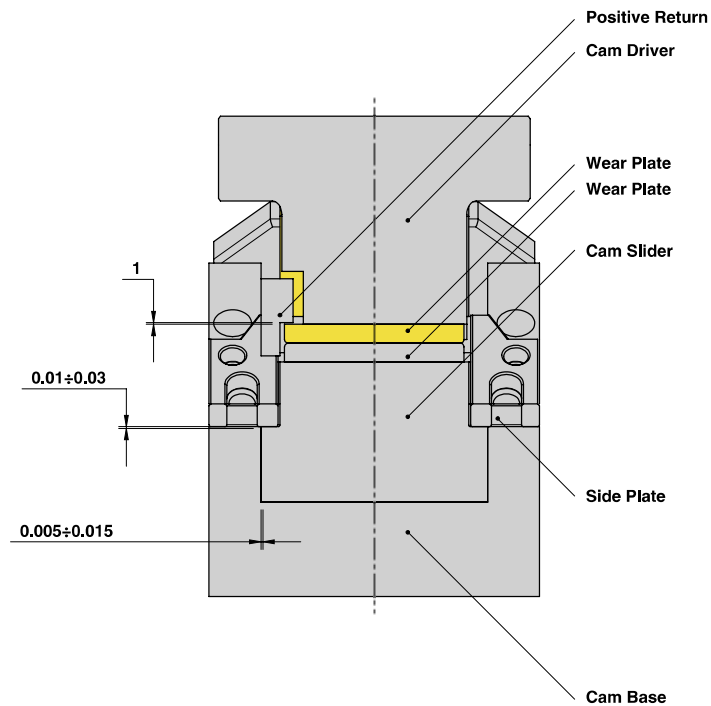


** Only nr.1 positive return for DHC100.00.
 DHC100.00 mit nur einer Zwangsrückholung.
 Solo un gancio di sicurezza per le DHC100.00.



DIE MOUNTED CAM UNIT - HORIZONTALSCHIEBER - UNITÀ A CAMME A BASE STAMPO

SLIDER STRUCTURE, POSITIVE RETURN STRUCTURE AND CLEARANCES



Cam Units DHC

PART LIST

Particular number	Description	Material	Quantity
1	Cam Slider	GGG-50 + Graphite	1
2	Cam Driver	GG-25	1
3	Cam Base	GG-25	1
4	Side Plate	CK45	2
5	Stopper Plate	CK45	1
6	Positive Return	CK45	1
7	Wear Plate	CK45	1
8	Wear Plate	CuZn25Al5 + Graphite - HB > 190	1
9	Wear Plate	CuZn25Al5 + Graphite - HB > 190	1
10	Gas Spring	-	2
11	Cam Base Fixing Screws M12x60 DIN 912	-	4
12	Cam Driver Fixing Screws M12x45 DIN 912	-	4