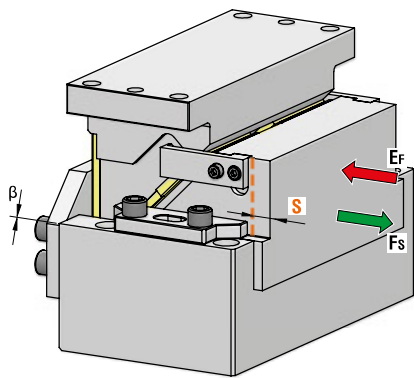
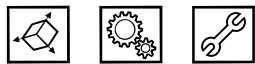




DIE MOUNTED CAM UNIT - HORIZONTALSCHIEBER - UNITÀ A CAMME A BASE STAMPO



OMCR CODE	Work Angle	Stroke (mm)	Max Work Force with shoulder (kN)	Extraction Force (kN)
	β	S	Fs	Ef
DHC250.00.40	0°	40	232	8,6
DHC250.00.60	0°	60	232	9,4



P.605

STOCK	ORDER EXAMPLE	Art.	Work Angle = 0°	Stroke = 60
		DHC250	00	60

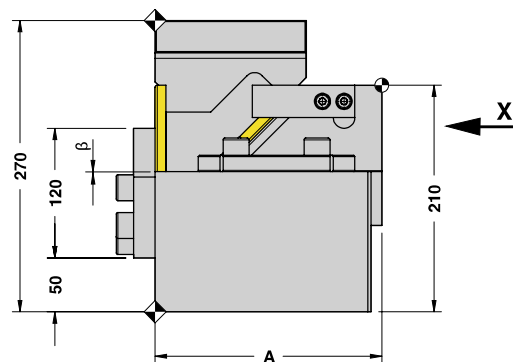
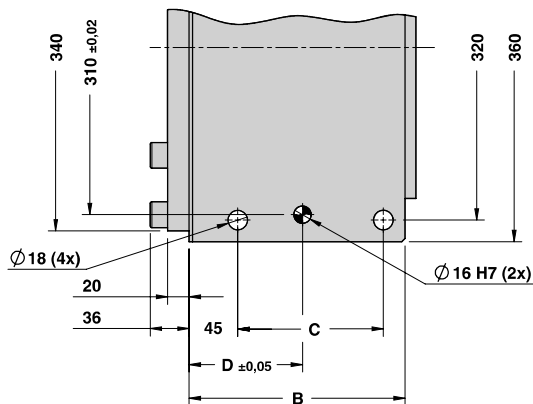
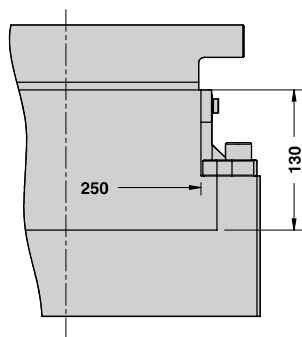
OMCR CODE	Work Angle	Stroke	Overall Dimensions (mm)						
	β	S	A	B	C	D	E	F	G
DHC250.00.40	0°	40	210	200	135	105	100	70	140
DHC250.00.60	0°	60	230	220	155	125	120	80	160





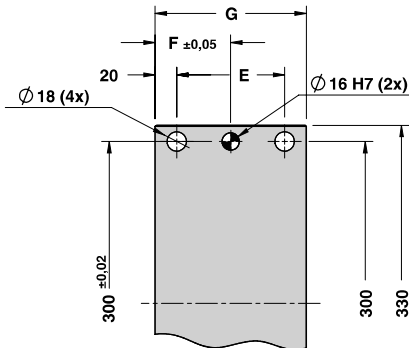
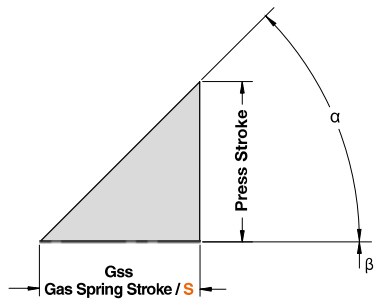
DIE MOUNTED CAM UNIT - HORIZONTALSCHIEBER - UNITÀ A CAMME A BASE STAMPO

X VIEW

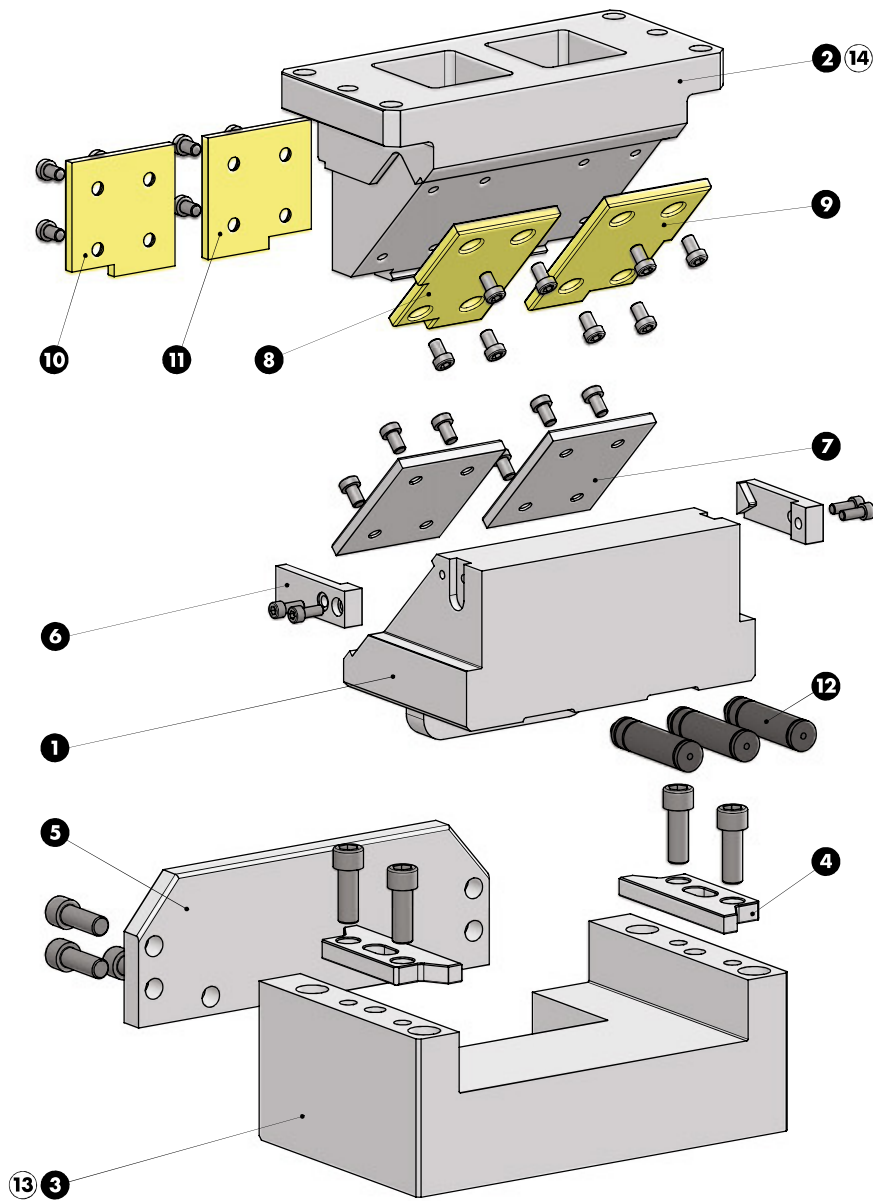


Cam Units DHC

CAM DIAGRAM



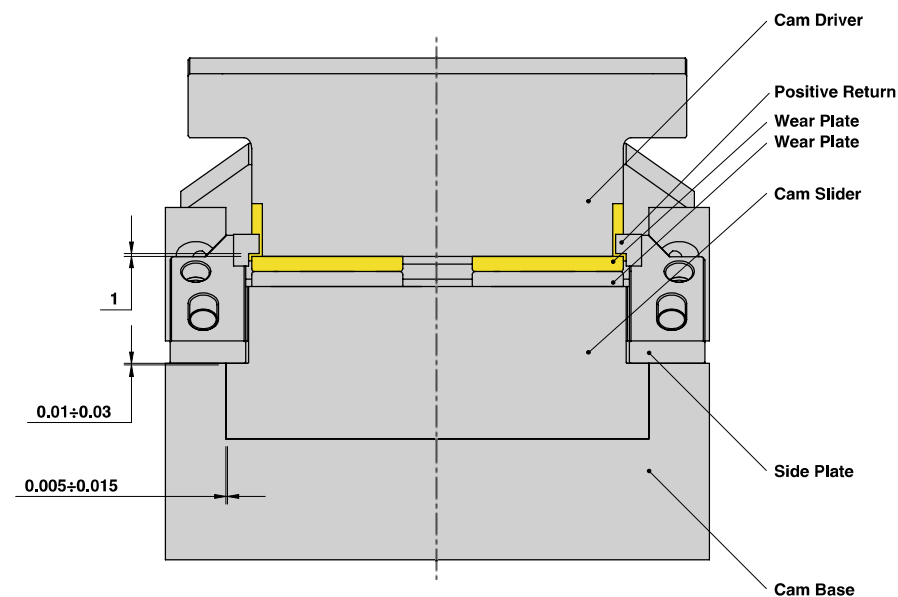
Work Angle	Inner Angle	Slider Work Stroke (mm)	Press Stroke (mm)	Gas Spring Stroke (mm)
β	α	S	Ps	Gss
0°	45°	40	40	40
0°	45°	60	60	60





DIE MOUNTED CAM UNIT - HORIZONTALSCHIEBER - UNITÀ A CAMME A BASE STAMPO

SLIDER STRUCTURE, POSITIVE RETURN STRUCTURE AND CLEARANCES



Cam Units DHC

PART LIST

Particular number	Description	Material	Quantity
1	Cam Slider	GGG-50 + Graphite	1
2	Cam Driver	GG-25	1
3	Cam Base	GG-25	1
4	Side Plate	CK45	2
5	Stopper Plate	CK45	1
6	Positive Return	CK45	2
7	Wear Plate	CK45	2
8	Wear Plate	CuZn25Al5 + Graphite - HB > 190	1
9	Wear Plate	CuZn25Al5 + Graphite - HB > 190	1
10	Wear Plate	CuZn25Al5 + Graphite - HB > 190	1
11	Wear Plate	CuZn25Al5 + Graphite - HB > 190	1
12	Gas Spring	-	3
13	Cam Base Fixing Screws M16x90 DIN 912	-	4
14	Cam Driver Fixing Screws M16x60 DIN 912	-	4