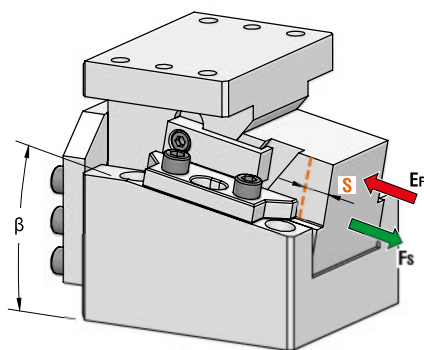


DIE MOUNTED CAM UNIT - HORIZONTALSCHIEBER - UNITÀ A CAMME A BASE STAMPO



P.605

| OMCR CODE         | Work Angle | Stroke (mm) | Max Work Force with shoulder (kN) | Extraction Force (kN) |
|-------------------|------------|-------------|-----------------------------------|-----------------------|
|                   | β          | S           | Fs                                | Ef<br>Spring          |
| DLC-DLCA065.00.40 | 0°         | 40          | 39                                | 0,79                  |
| DLC-DLCA065.00.60 | 0°         | 60          | 39                                | 0,80                  |
| DLC-DLCA065.05.45 | 5°         | 45          | 39                                | 0,78                  |
| DLC-DLCA065.05.70 | 5°         | 70          | 39                                | 1,02                  |
| DLC-DLCA065.10.45 | 10°        | 45          | 39                                | 0,78                  |
| DLC-DLCA065.10.70 | 10°        | 70          | 39                                | 1,02                  |
| DLC-DLCA065.15.45 | 15°        | 45          | 39                                | 0,78                  |
| DLC-DLCA065.15.70 | 15°        | 70          | 39                                | 1,02                  |
| DLC-DLCA065.20.45 | 20°        | 45          | 39                                | 0,78                  |
| DLC-DLCA065.20.70 | 20°        | 70          | 39                                | 1,02                  |

FOR REPLACEMENT ONLY  
SEE DHC FROM PAGE 880  
FOR NEW DIES

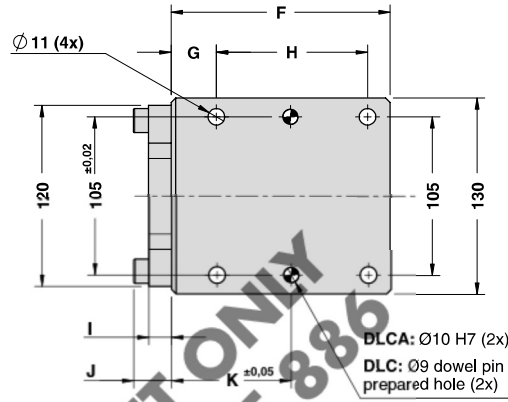
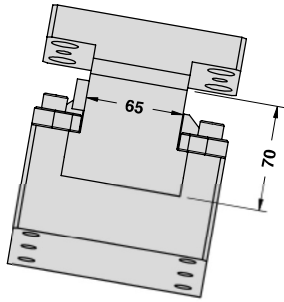


| Art.  | Work Angle = 0° | Stroke = 60 |
|-------|-----------------|-------------|
| DL065 | 00              | 60          |

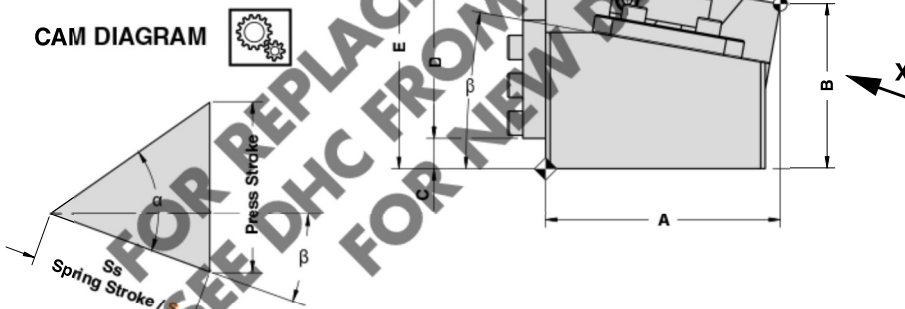
| OMCR CODE    | Work Angle   | Stroke (mm) | Overall Dimensions (mm) |        |        |      |     |     |     |    |     |    |    |     |    |    |     |
|--------------|--------------|-------------|-------------------------|--------|--------|------|-----|-----|-----|----|-----|----|----|-----|----|----|-----|
|              |              |             | β                       | S      | A      | B    | C   | D   | E   | F  | G   | H  | I  | J   | K  | L  | M   |
| DLC065.00.40 | DLC065.00.40 | 0°          | 40                      | 140    | 115    | 25   | 50  | 160 | 145 | 30 | 100 | 12 | 27 | 80  | 60 | 50 | 100 |
| DLC065.00.60 | DLC065.00.60 | 0°          | 60                      | 190    | 115    | 25   | 50  | 160 | 180 | 40 | 125 | 12 | 22 | 105 | 70 | 55 | 110 |
| DLC065.05.45 | DLC065.05.45 | 5°          | 45                      | 150,55 | 112,10 | 12,5 | 100 | 160 | 145 | 30 | 100 | 15 | 25 | 80  | 60 | 50 | 100 |
| DLC065.05.70 | DLC065.05.70 | 5°          | 70                      | 195,38 | 123,17 | 25   | 100 | 170 | 180 | 40 | 125 | 15 | 25 | 65  | 60 | 50 | 100 |
| DLC065.10.45 | DLC065.10.45 | 10°         | 45                      | 154,95 | 108,76 | 20   | 100 | 160 | 145 | 30 | 100 | 15 | 25 | 79  | 60 | 50 | 100 |
| DLC065.10.70 | DLC065.10.70 | 10°         | 70                      | 199,27 | 110,94 | 25   | 100 | 170 | 180 | 40 | 125 | 15 | 25 | 65  | 60 | 50 | 100 |
| DLC065.15.45 | DLC065.15.45 | 15°         | 45                      | 158,18 | 105,09 | 25   | 100 | 170 | 145 | 30 | 100 | 15 | 25 | 80  | 60 | 50 | 100 |
| DLC065.15.70 | DLC065.15.70 | 15°         | 70                      | 201,64 | 103,44 | 40   | 100 | 170 | 180 | 40 | 125 | 15 | 25 | 65  | 70 | 55 | 110 |
| DLC065.20.45 | DLC065.20.45 | 20°         | 45                      | 160,20 | 101,19 | 30   | 100 | 170 | 145 | 30 | 100 | 15 | 25 | 80  | 60 | 50 | 100 |
| DLC065.20.70 | DLC065.20.70 | 20°         | 70                      | 202,48 | 95,79  | 40   | 100 | 170 | 180 | 40 | 125 | 15 | 25 | 65  | 70 | 55 | 110 |

DIE MOUNTED CAM UNIT - HORIZONTALSCHIEBER - UNITÀ A CAMME A BASE STAMPO

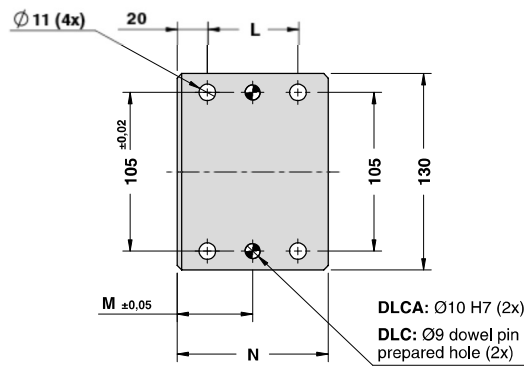
X VIEW



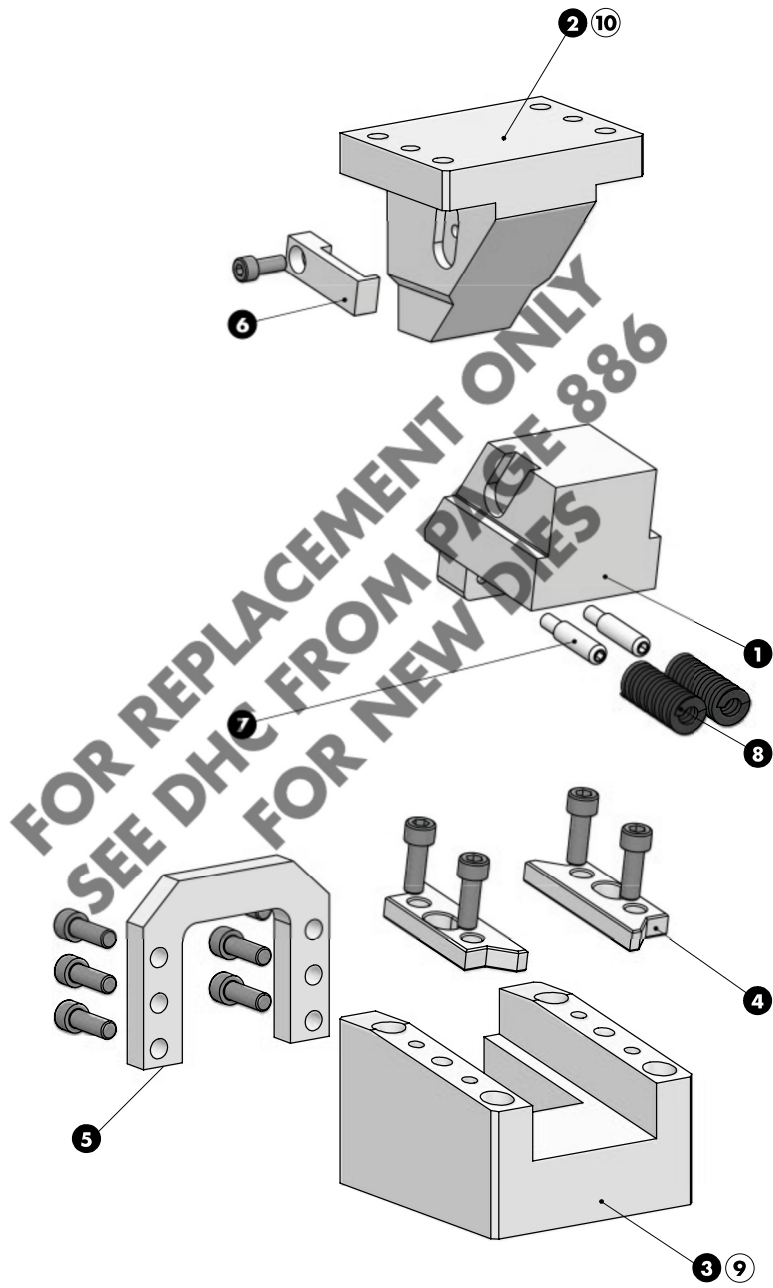
CAM DIAGRAM



| Work Angle | Inner Angle | Slider Work Stroke (mm) | Press Stroke (mm) | Spring Stroke (mm) |
|------------|-------------|-------------------------|-------------------|--------------------|
| $\beta$    | $\alpha$    | S                       | Ps                | Ss                 |
| 0°         | 45°         | 40                      | 40                | 40                 |
| 0°         | 45°         | 60                      | 60                | 60                 |
| 5°         | 60°         | 45                      | 67,94             | 45                 |
| 5°         | 60°         | 70                      | 105,69            | 70                 |
| 10°        | 60°         | 45                      | 60,63             | 45                 |
| 10°        | 60°         | 70                      | 94,31             | 70                 |
| 15°        | 60°         | 45                      | 55,11             | 45                 |
| 15°        | 60°         | 70                      | 85,73             | 70                 |
| 20°        | 60°         | 45                      | 50,87             | 45                 |
| 20°        | 60°         | 70                      | 79,14             | 70                 |

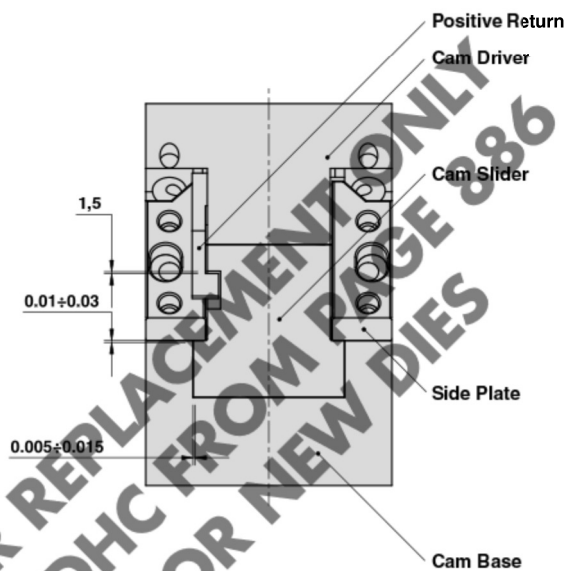


DIE MOUNTED CAM UNIT - HORIZONTALSCHIEBER - UNITÀ A CAMME A BASE STAMPO



## DIE MOUNTED CAM UNIT - HORIZONTALSCHIEBER - UNITÀ A CAMME A BASE STAMPO

## SLIDER STRUCTURE, POSITIVE RETURN STRUCTURE AND CLEARANCES

Cam Units  
DLC/DLCA

## PART LIST

| Particular number | Description                             | Material         | Quantity |
|-------------------|---|------------------|----------|
| 1                 | Cam Slider                              | GG-25 + Graphite | 1        |
| 2                 | Cam Driver                              | GG-25 + Graphite | 1        |
| 3                 | Cam Base                                | GG-25            | 1        |
| 4                 | Side Plate                              | CK45             | 2        |
| 5                 | Stopper Plate                           | St44             | 1        |
| 6                 | Positive Return                         | CK45             | 1        |
| 7                 | Spring Guide Pin                        | CK45             | 2        |
| 8                 | Spring                                  | -                | 2        |
| 9                 | Cam Base Fixing Screws M10x50 DIN 912   | -                | 4        |
| 10                | Cam Driver Fixing Screws M10x40 DIN 912 | -                | 4        |