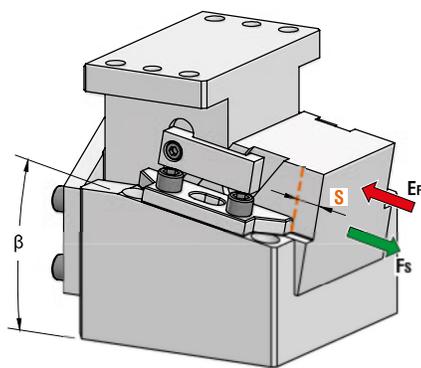


DIE MOUNTED CAM UNIT - HORIZONTALSCHIEBER - UNITÀ A CAMME A BASE STAMPO



P.605

OMCR CODE	Work Angle	Stroke (mm)	Max Work Force with shoulder (kN)	Extraction Force (kN)
	β	S	F _s	E _f
DLC-DLCA100.00.40	0°	40	59	1,19
DLC-DLCA100.00.60	0°	60	59	1,20
DLC-DLCA100.00.80	0°	80	59	1,36
DLC-DLCA100.05.45	5°	45	79	1,17
DLC-DLCA100.05.70	5°	70	79	1,20
DLC-DLCA100.10.45	10°	45	79	1,17
DLC-DLCA100.10.70	10°	70	79	1,20
DLC-DLCA100.15.45	15°	45	79	1,17
DLC-DLCA100.15.70	15°	70	79	1,20
DLC-DLCA100.20.45	20°	45	79	1,17
DLC-DLCA100.20.70	20°	70	79	1,20

OPTION CODE

N \varnothing 12 H7 DLCA only

FOR REPLACEMENT ONLY
SEE DHC FROM PAGE 880
FOR NEW DIES

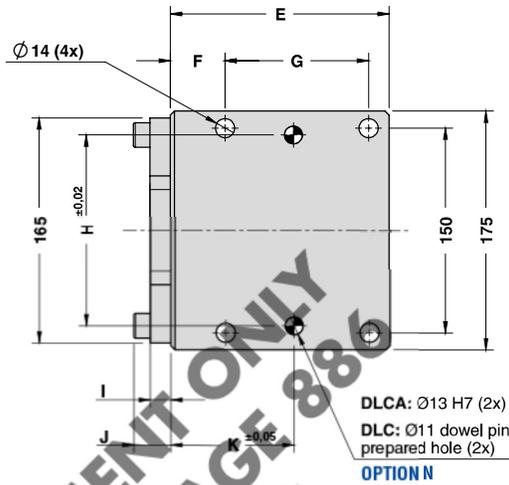
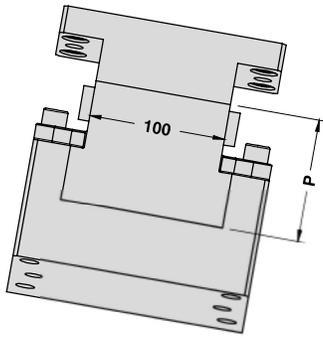


OPTION CODE (DLCA only)			
Art.	Work Angle = 0°	Stroke = 60	N
DLCA100	00	60	N12

OMCR CODE	DLCA100.00.40	Work Angle	Stroke (mm)	Overall Dimensions (mm)															
				β	S	A	B	C	D	E	F	G	H	I	J	K	L	M	N
DLC100.00.40	DLCA100.00.40	0°	40	190	150	30	60	190	45	130	140	16	28	105	80	60	120	100	
DLC100.00.60	DLCA100.00.60	0°	60	210	150	30	60	190	45	130	140	16	28	105	100	70	140	100	
DLC100.00.80	DLCA100.00.80	0°	80	250	150	10	115	220	45	160	140	15	27	135	110	75	150	100	
DLC100.05.45	DLCA100.05.45	5°	45	172,22	145,28	27,5	115	160	40	105	140	15	27	90	60	50	100	90	
DLC100.05.70	DLCA100.05.70	5°	70	207,08	147,23	30	115	190	45	130	150	15	27	70	80	60	120	90	
DLC100.10.45	DLCA100.10.45	10°	45	178,12	134,98	30	115	160	40	105	140	15	27	90	60	50	100	90	
DLC100.10.70	DLCA100.10.70	10°	70	212,59	133,90	30	115	190	45	130	150	15	27	70	80	60	120	90	
DLC100.15.45	DLCA100.15.45	15°	45	182,67	129,23	32,5	115	160	40	105	140	15	27	90	70	55	110	90	
DLC100.15.70	DLCA100.15.70	15°	70	216,48	130,17	35	115	190	45	130	150	15	27	70	90	65	130	90	
DLC100.20.45	DLCA100.20.45	20°	45	185,83	118,14	35	115	160	40	105	140	15	27	90	70	55	110	90	
DLC100.20.70	DLCA100.20.70	20°	70	218,72	121,17	45	115	190	45	130	150	15	27	70	90	65	130	90	

DIE MOUNTED CAM UNIT - HORIZONTALSCHIEBER - UNITÀ A CAMME A BASE STAMPO

X VIEW

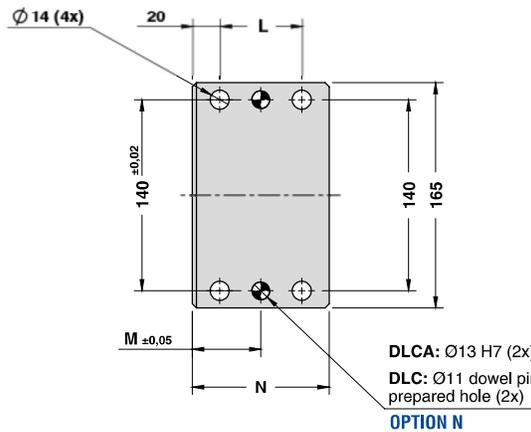


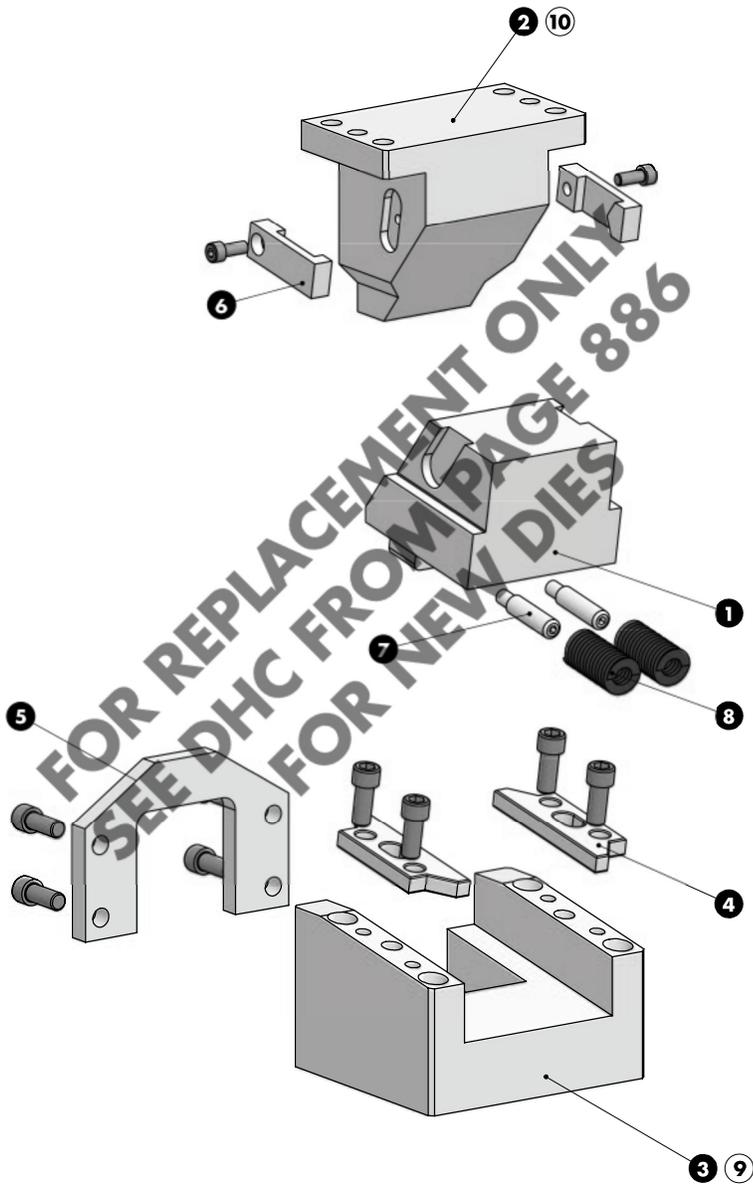
CAM DIAGRAM



Cam Units
DLC/DLCA

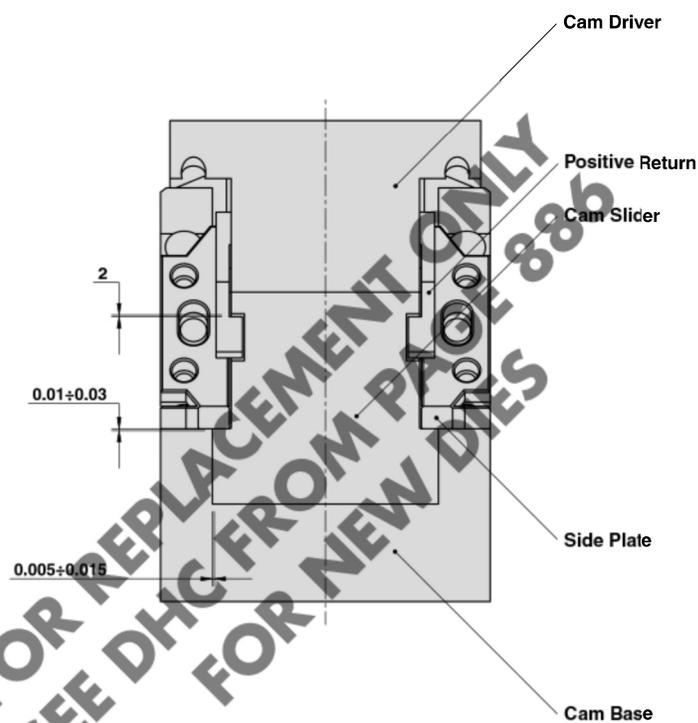
Work Angle	Inner Angle	Slider Work Stroke (mm)	Press Stroke (mm)	Spring Stroke (mm)
β	α	S	Ps	Ss
0°	45°	40	40	40
0°	45°	60	60	60
0°	45°	80	80	80
5°	60°	45	67,94	45
5°	60°	70	105,69	70
10°	60°	45	60,63	45
10°	60°	70	94,31	70
15°	60°	45	55,11	45
15°	60°	70	85,73	70
20°	60°	45	50,87	45
20°	60°	70	79,14	70





DIE MOUNTED CAM UNIT - HORIZONTALSCHIEBER - UNITÀ A CAMME A BASE STAMPO

SLIDER STRUCTURE, POSITIVE RETURN STRUCTURE AND CLEARANCES



Cam Units
DLC/DLCA

PART LIST

Particular number	Description	Material	Quantity
1	Cam Slider	GG-25 + Graphite	1
2	Cam Driver	GG-25 + Graphite	1
3	Cam Base	GG-25	1
4	Side Plate	CK45	2
5	Stopper Plate	St44	1
6	Positive Return	CK45	1
7	Spring Guide Pin	CK45	2
8	Spring	-	2
9	Cam Base Fixing Screws M12x60 DIN 912	-	4
10	Cam Driver Fixing Screws M12x45 DIN 912	-	4