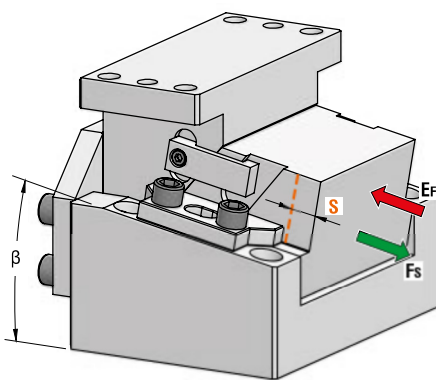


DIE MOUNTED CAM UNIT - HORIZONTALSCHIEBER - UNITÀ A CAMME A BASE STAMPO



OMCR CODE	Work Angle	Stroke (mm)	Max Work Force with shoulder (kN)	Extraction Force (kN)
	$\beta$	S	F <sub>s</sub>	E <sub>f</sub>
DLC-DLCA150.00.40	0°	40	89	1,94
DLC-DLCA150.00.60	0°	60	89	1,96
DLC-DLCA150.05.45	5°	45	98	1,91
DLC-DLCA150.05.70	5°	70	98	1,94
DLC-DLCA150.10.45	10°	45	98	1,91
DLC-DLCA150.10.70	10°	70	98	1,94
DLC-DLCA150.15.45	15°	45	98	1,91
DLC-DLCA150.15.70	15°	70	98	1,94
DLC-DLCA150.20.45	20°	45	98	1,91
DLC-DLCA150.20.70	20°	70	98	1,94

FOR REPLACEMENT ONLY  
SEE DHC FROM PAGE 886  
FOR NEW DIES

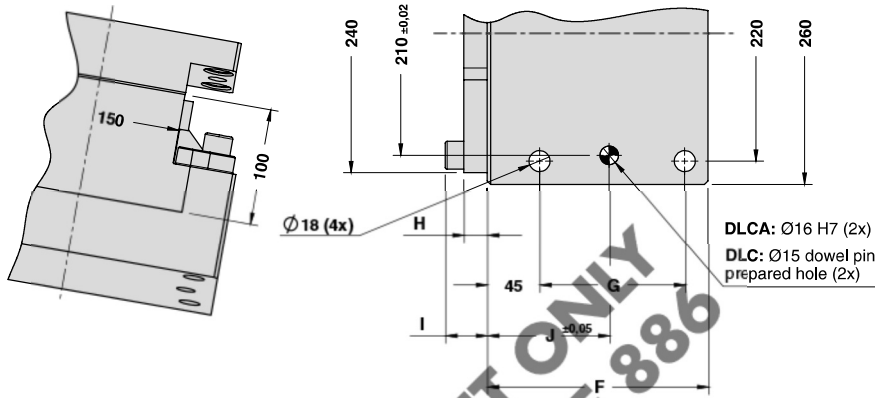


Art.	Work Angle = 0°	Stroke = 60
DLC150	00	60

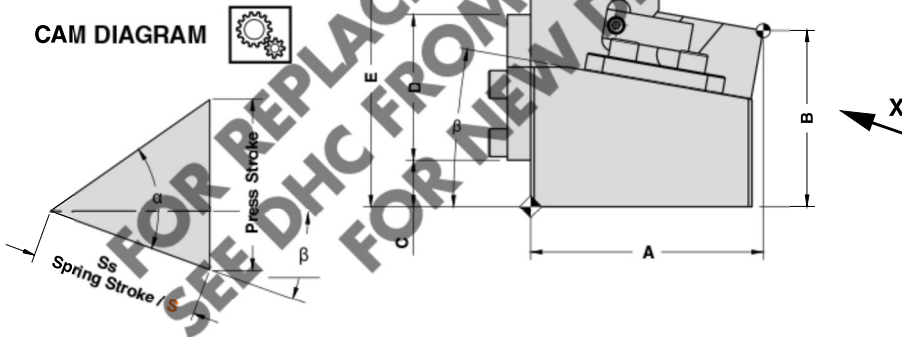
OMCR CODE		Work Angle	Stroke (mm)	Overall Dimensions (mm)												
				$\beta$	S	A	B	C	D	E	F	G	H	I	J	K
DLC150.00.40	DLCA150.00.40	0°	40	190	170	45	65	220	190	125	19	35	105	80	60	120
DLC150.00.60	DLCA150.00.60	0°	60	210	170	45	65	220	200	135	19	35	110	100	70	140
DLC150.05.45	DLCA150.05.45	5°	45	193,01	158,50	30	125	220	190	125	20	36	105	70	55	110
DLC150.05.70	DLCA150.05.70	5°	70	217,92	166,32	40	125	220	200	135	20	36	120	90	65	130
DLC150.10.45	DLCA150.10.45	10°	45	199,55	151,36	40	125	220	190	125	20	36	105	70	55	110
DLC150.10.70	DLCA150.10.70	10°	70	224,17	152,02	40	125	220	200	135	20	36	120	90	65	130
DLC150.15.45	DLCA150.15.45	15°	45	204,58	143,71	40	125	220	190	125	20	36	105	80	60	120
DLC150.15.70	DLCA150.15.70	15°	70	228,73	152,24	55	125	230	200	135	20	36	120	100	70	140
DLC150.20.45	DLCA150.20.45	20°	45	208,05	135,70	40	125	220	190	125	20	36	105	80	60	120
DLC150.20.70	DLCA150.20.70	20°	70	231,54	137,15	55	125	230	200	135	20	36	120	100	70	140

DIE MOUNTED CAM UNIT - HORIZONTALSCHIEBER - UNITÀ A CAMME A BASE STAMPO

X VIEW

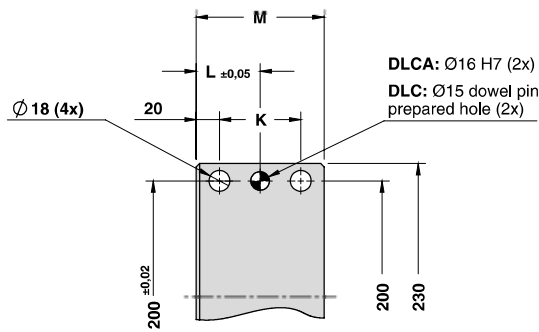


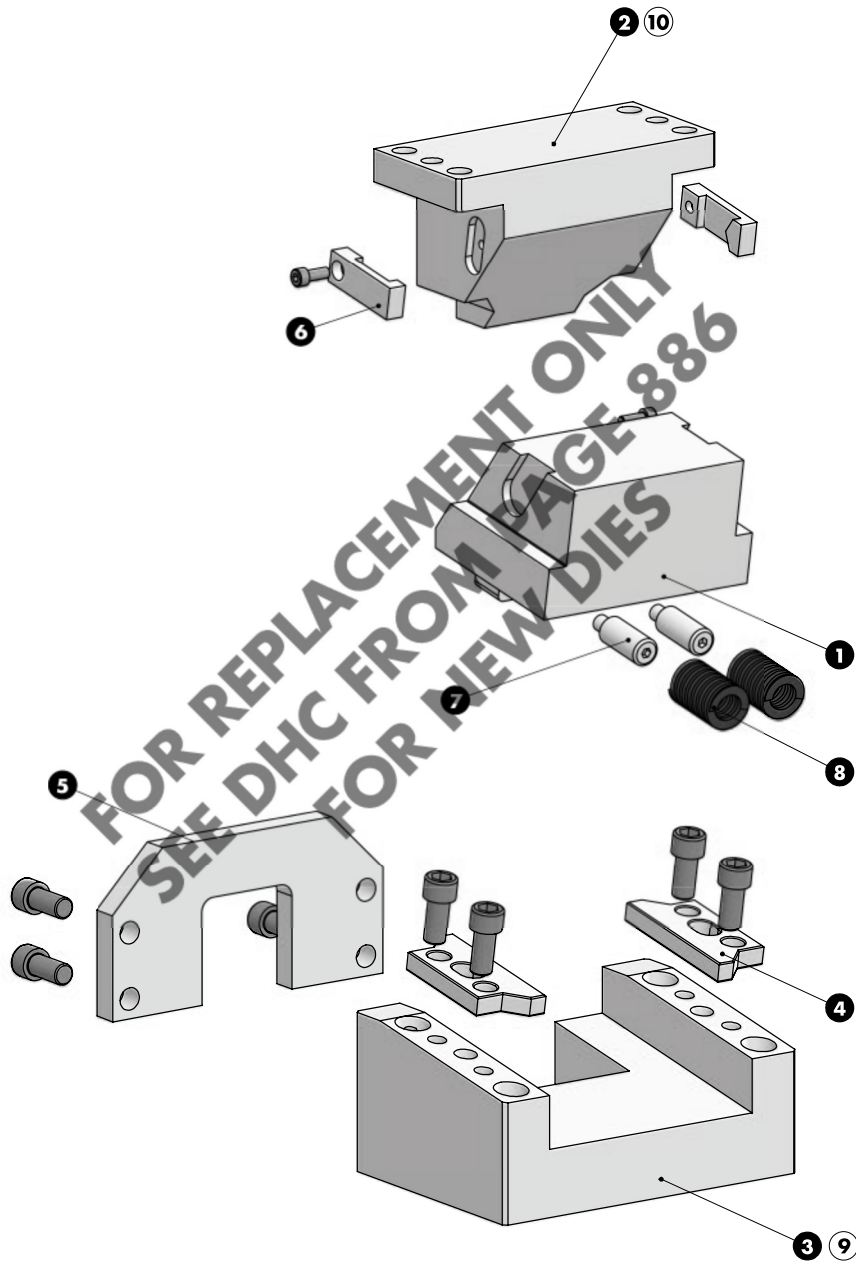
CAM DIAGRAM



Cam Units  
DLC/DLCA

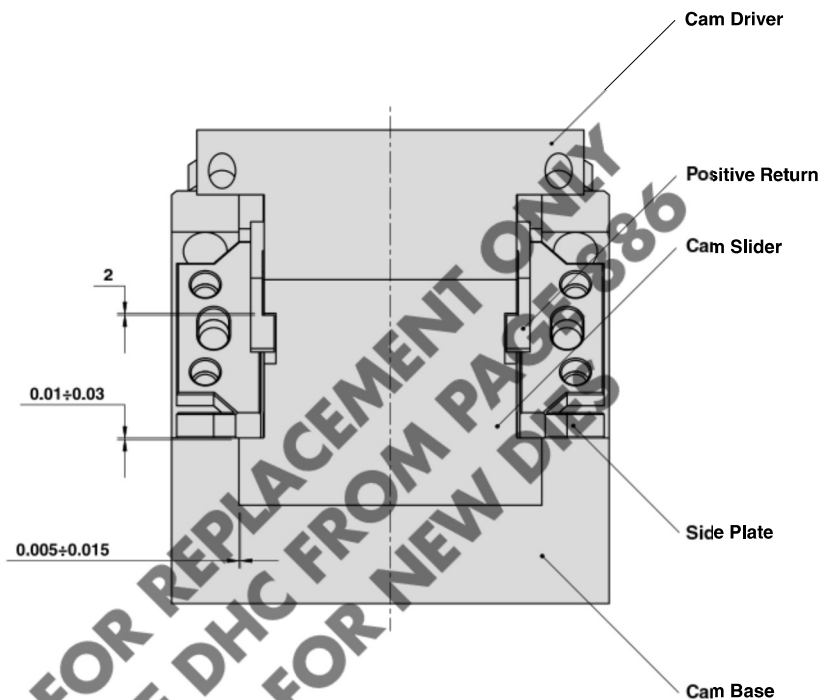
Work Angle	Inner Angle	Slider Work Stroke (mm)	Press Stroke (mm)	Spring Stroke (mm)
$\beta$	$\alpha$	S	Ps	Ss
0°	45°	40	40	40
0°	45°	60	60	60
5°	60°	45	67,94	45
5°	60°	70	105,69	70
10°	60°	45	60,63	45
10°	60°	70	94,31	70
15°	60°	45	55,11	45
15°	60°	70	85,73	70
20°	60°	45	50,87	45
20°	60°	70	79,14	70





DIE MOUNTED CAM UNIT - HORIZONTALSCHIEBER - UNITÀ A CAMME A BASE STAMPO

SLIDER STRUCTURE, POSITIVE RETURN STRUCTURE AND CLEARANCES



Cam Units  
DLC/DLCA

PART LIST

Particular number	Description	Material	Quantity
1	Cam Slider	GG-25 + Graphite	1
2	Cam Driver	GG-25 + Graphite	1
3	Cam Base	GG-25	1
4	Side Plate	CK45	2
5	Stopper Plate	St44	1
6	Positive Return	CK45	1
7	Spring Guide Pin	CK45	2
8	Spring	-	2
9	Cam Base Fixing Screws M16x80 DIN 912	-	4
10	Cam Driver Fixing Screws M16x55 DIN 912	-	4