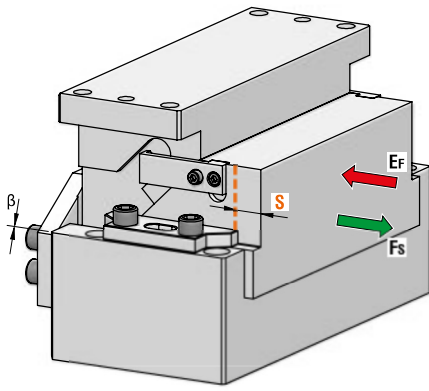


DIE MOUNTED CAM UNIT - HORIZONTALSCHIEBER - UNITÀ A CAMME A BASE STAMPO



OMCR CODE	Work Angle	Stroke (mm)	Max Work Force with shoulder (kN)	Extraction Force (kN)
	$\beta$	S	F <sub>s</sub>	E <sub>f</sub>
DLC-DLCA300.00.40	0°	40	189	3,80
DLC-DLCA300.00.60	0°	60	189	3,83

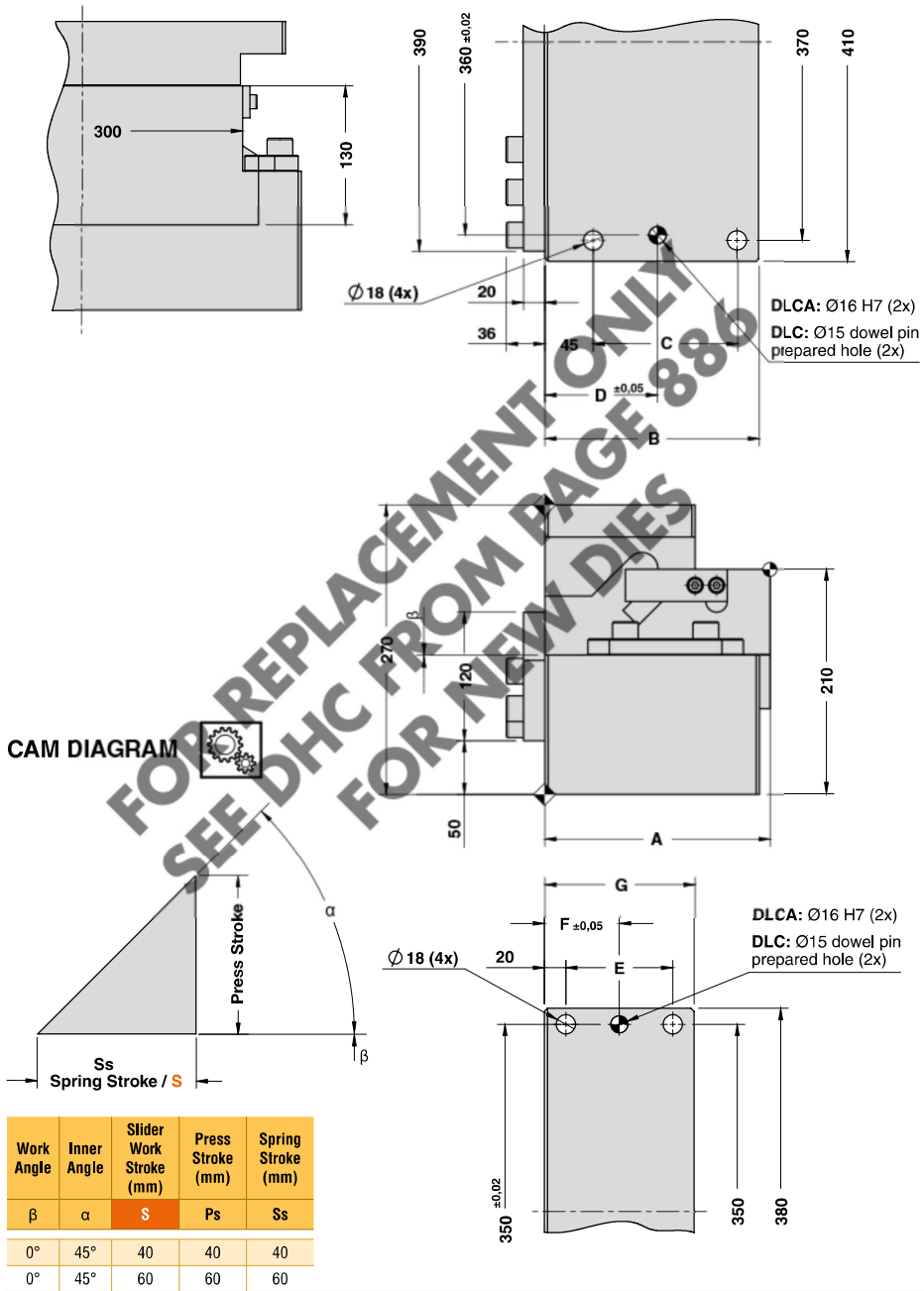


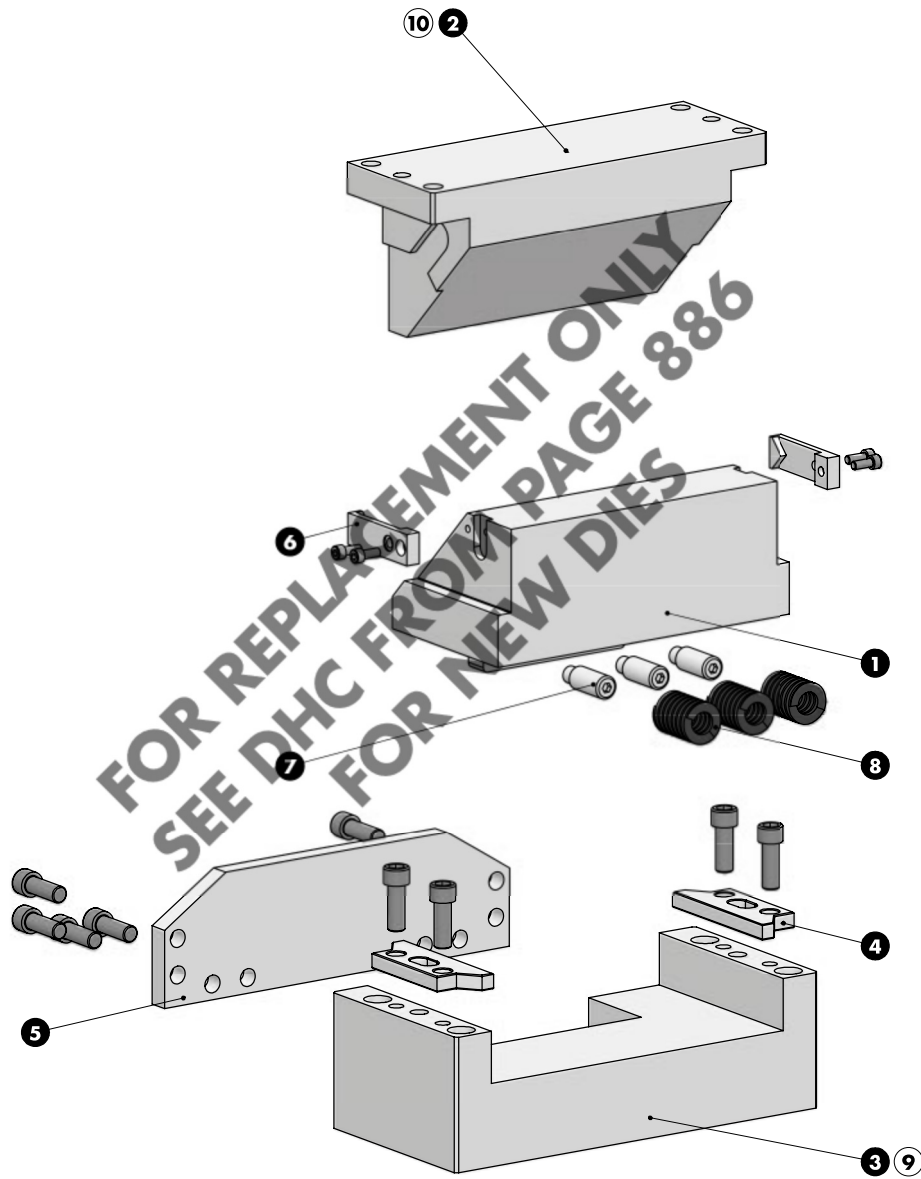
FOR REPLACEMENT ONLY  
SEE DHC FROM PAGE 886  
FOR NEW DIES

		Art.	Work Angle = 0°	Stroke = 60
		DLC300	00	60

OMCR CODE	Work Angle	Stroke	Overall Dimensions (mm)							
			$\beta$	S	A	B	C	D	E	F
DLC300.00.40	DLCA300.00.40	0°	40	210	200	135	105	100	70	140
DLC300.00.60	DLCA300.00.60	0°	60	230	220	155	125	120	80	160

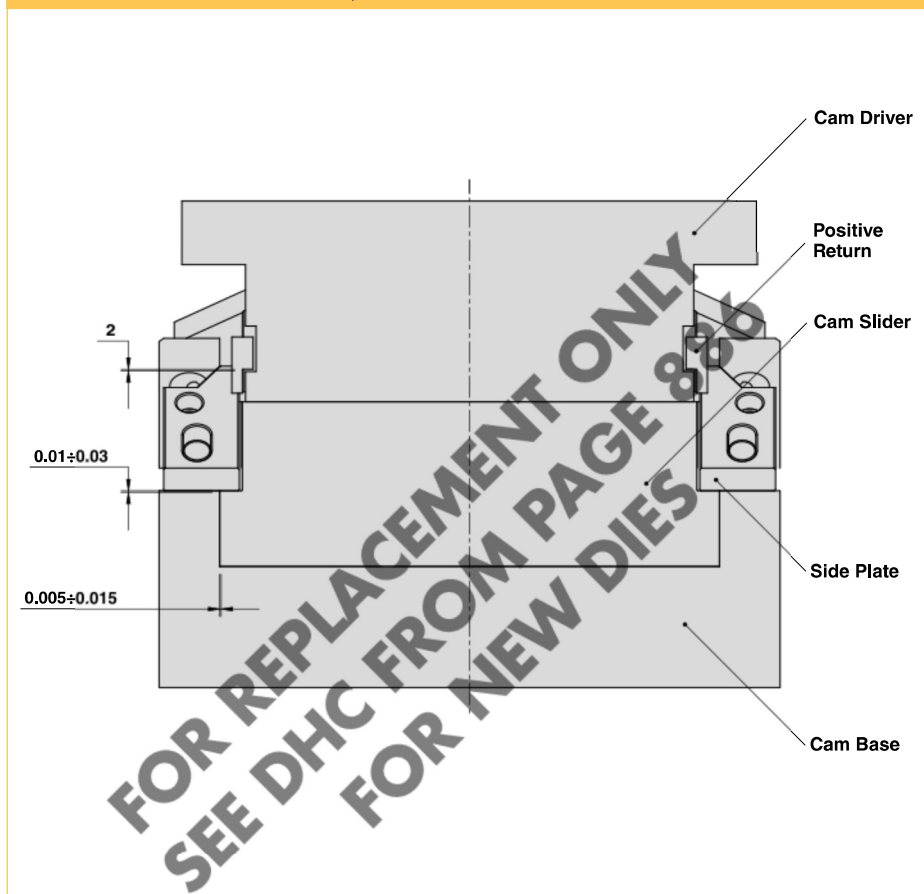
DIE MOUNTED CAM UNIT - HORIZONTALSCHIEBER - UNITÀ A CAMME A BASE STAMPO





DIE MOUNTED CAM UNIT - HORIZONTALSCHIEBER - UNITÀ A CAMME A BASE STAMPO

SLIDER STRUCTURE, POSITIVE RETURN STRUCTURE AND CLEARANCES



Cam Units  
DLC/DLCA

PART LIST

Particular number	Description	Material	Quantity
1	Cam Slider	GG-25 + Graphite	1
2	Cam Driver	GG-25 + Graphite	1
3	Cam Base	GG-25	1
4	Side Plate	CK45	2
5	Stopper Plate	St44	1
6	Positive Return	CK45	2
7	Spring Guide Pin	CK45	3
8	Spring	-	3
9	Cam Base Fixing Screws M16x90 DIN 912	-	4
10	Cam Driver Fixing Screws M16x60 DIN 912	-	4