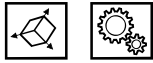
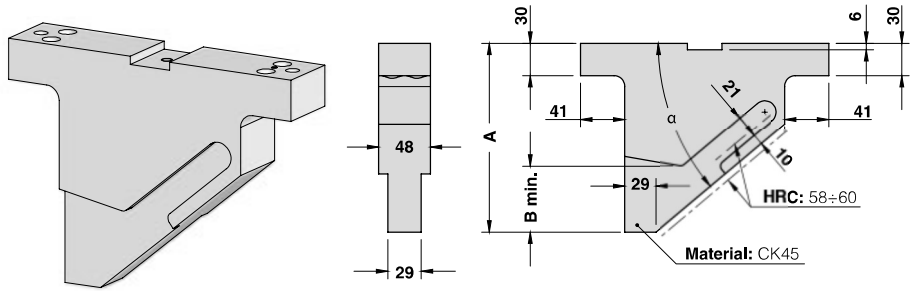
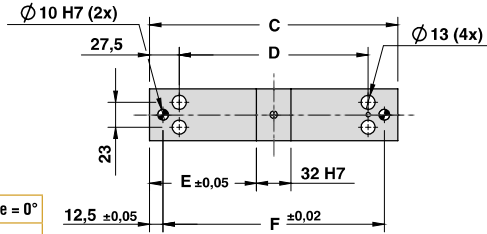




ROLLER CAM DRIVER - TREIBER FÜR ROLLENSCHIEBER - CUNEO PER CAMME A RULLO



For driver positioning see pages 858-859 and 864-865  
 Positionierung des Treibers siehe Seiten 858-859 und 864-865  
 Per posizionamento cuneo vedi pagine 858-859 e 864-865



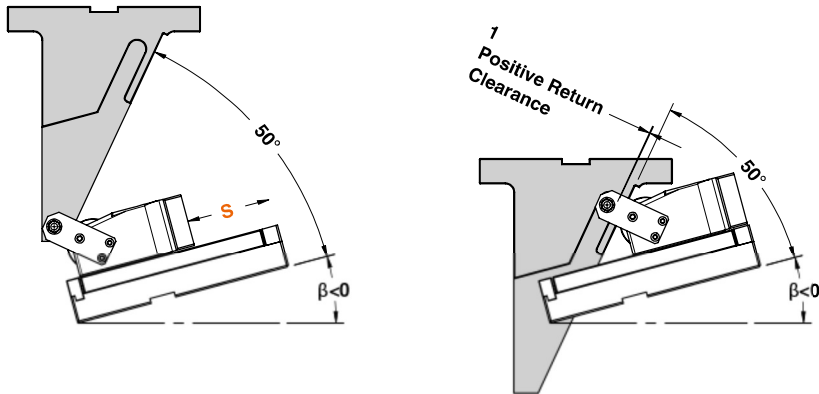
STOCK	ORDER EXAMPLE	Art.	Stroke = 50	Work angle = 0°
		DCRX0305	50	000

OMCR CODE	ROLLER CAM MODEL	Stroke (mm)	Work Angle	Overall Dimensions (mm)						
				S	β	α	A	B min.	C	D
DCRX0305.50.H15	CRX03.050 CRX05.050	50	-15°	65°	185	70	180	125	74	155
DCRX0305.50.H10		50	-10°	60°	165	70	180	125	74	155
DCRX0305.50.H05		50	-5°	55°	155	60	180	125	74	155
DCRX0305.50.000		50	0°	50°	145	50	180	125	74	155
DCRX0305.50.L05		50	5°	45°	135	40	180	125	74	155
DCRX0305.50.L10		50	10°	40°	130	35	180	125	74	155
DCRX0305.50.L15		50	15°	35°	125	30	180	125	74	155
DCRX0305.50.L20		50	20°	30°	120	25	180	125	74	155
DCRX0305.50.L25		50	25°	25°	110	40	180	125	74	155
DCRX0305.50.L30		50	30°	20°	100	30	180	125	74	155
DCRX0305.50.L35		50	35°	15°	95	25	180	125	74	155
DCRX0305.50.L40		50	40°	10°	90	20	180	125	74	155
DCRX0305.50.L45		50	45°	5°	85	25	180	125	74	155
DCRX0305.50.L50		50	50°	0°	80	30	180	125	74	155
DCRX0305.80.H15		CRX03.080 CRX03.100 CRX05.080 CRX05.100	80-100	-15°	65°	280	160	230	175	99
DCRX0305.80.H10	80-100		-10°	60°	250	130	230	175	99	205
DCRX0305.80.H05	80-100		-5°	55°	220	100	230	175	99	205
DCRX0305.80.000	80-100		0°	50°	200	80	230	175	99	205
DCRX0305.80.L05	80-100		5°	45°	180	60	230	175	99	205
DCRX0305.80.L10	80-100		10°	40°	175	55	230	175	99	205
DCRX0305.80.L15	80-100		15°	35°	170	50	230	175	99	205
DCRX0305.80.L20	80-100		20°	30°	165	45	230	175	99	205
DCRX0305.80.L25	80-100		25°	25°	155	65	230	175	99	205
DCRX0305.80.L30	80-100		30°	20°	145	55	230	175	99	205
DCRX0305.80.L35	80-100		35°	15°	130	50	230	175	99	205
DCRX0305.80.L40	80-100		40°	10°	115	55	230	175	99	205
DCRX0305.80.L45	80-100		45°	5°	105	45	230	175	99	205
DCRX0305.80.L50	80-100		50°	0°	95	55	230	175	99	205

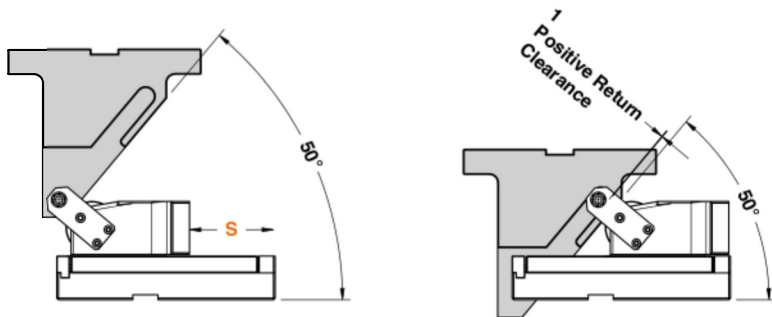


ROLLER CAM DRIVER - TREIBER FÜR ROLLENSCHIEBER - CUNEO PER CAMME A RULLO

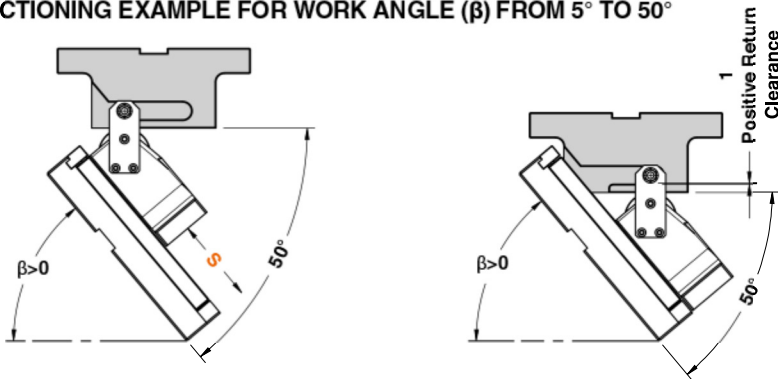
FUNCTIONING EXAMPLE FOR WORK ANGLE ( $\beta$ ) FROM  $-5^\circ$  TO  $-15^\circ$



FUNCTIONING EXAMPLE FOR WORK ANGLE ( $\beta$ )= $0^\circ$



FUNCTIONING EXAMPLE FOR WORK ANGLE ( $\beta$ ) FROM  $5^\circ$  TO  $50^\circ$



Cam Units CRX