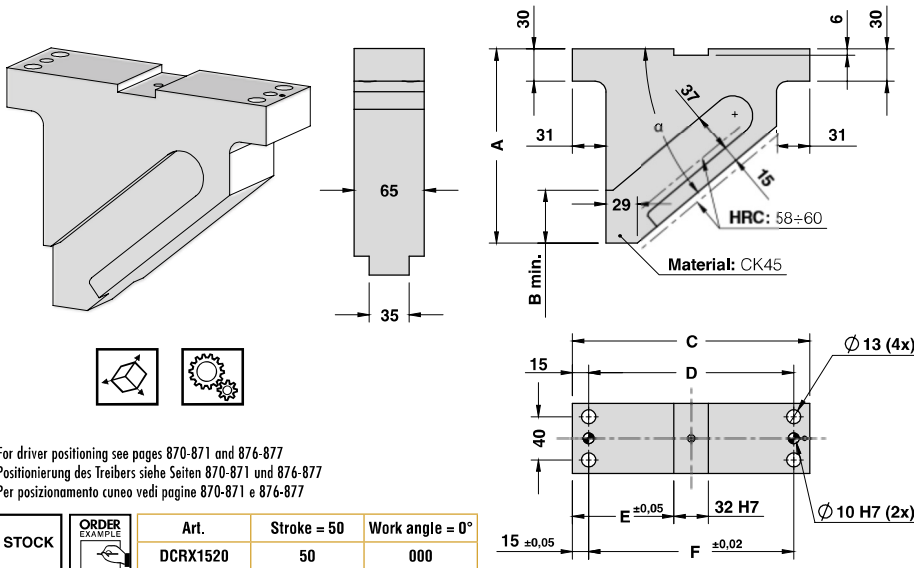




ROLLER CAM DRIVER - TREIBER FÜR ROLLENSCHIEBER - CUNEO PER CAMME A RULLO



For driver positioning see pages 870-871 and 876-877  
 Positionierung des Treibers siehe Seiten 870-871 und 876-877  
 Per posizionamento cuneo vedi pagine 870-871 e 876-877

STOCK	ORDER EXAMPLE	Art.	Stroke = 50	Work angle = 0°
		DCRX1520	50	000

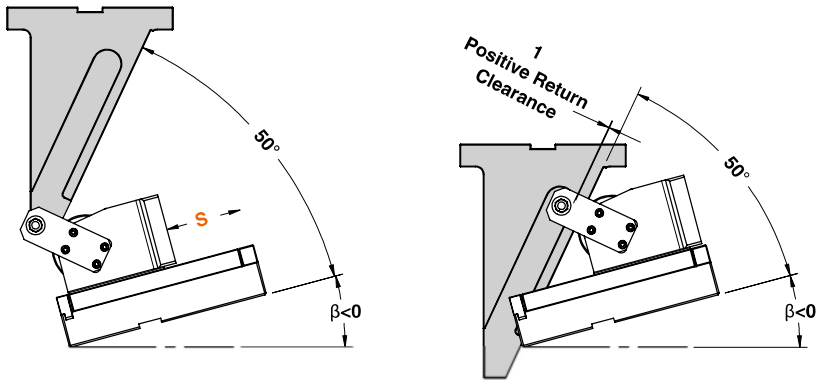
OMCR CODE	ROLLER CAM MODEL	Stroke (mm)	Work Angle	Overall Dimensions (mm)						
				S	$\beta$	$\alpha$	A	B min.	C	D
DCRX1520.50.H15	CRX15.050 CRX20.050	50	-15°	65°	200	66	170	140	69	140
DCRX1520.50.H10		50	-10°	60°	175	59	170	140	69	140
DCRX1520.50.H05		50	-5°	55°	155	55	170	140	69	140
DCRX1520.50.000		50	0°	50°	145	52	170	140	69	140
DCRX1520.50.L05		50	5°	45°	135	50	170	140	69	140
DCRX1520.50.L10		50	10°	40°	130	49	170	140	69	140
DCRX1520.50.L15		50	15°	35°	125	49	170	140	69	140
DCRX1520.50.L20		50	20°	30°	120	49	170	140	69	140
DCRX1520.50.L25		50	25°	25°	110	49	170	140	69	140
DCRX1520.50.L30		50	30°	20°	100	50	170	140	69	140
DCRX1520.50.L35		50	35°	15°	95	52	170	140	69	140
DCRX1520.50.L40		50	40°	10°	90	53	170	140	69	140
DCRX1520.50.L45		50	45°	5°	85	50	170	140	69	140
DCRX1520.50.L50		50	50°	0°	80	0	170	140	69	140
DCRX1520.80.H15		CRX15.080 CRX15.100 CRX20.080 CRX20.100	80-100	-15°	65°	310	66	220	190	94
DCRX1520.80.H10	80-100		-10°	60°	260	59	220	190	94	190
DCRX1520.80.H05	80-100		-5°	55°	230	55	220	190	94	190
DCRX1520.80.000	80-100		0°	50°	210	52	220	190	94	190
DCRX1520.80.L05	80-100		5°	45°	185	50	220	190	94	190
DCRX1520.80.L10	80-100		10°	40°	180	49	220	190	94	190
DCRX1520.80.L15	80-100		15°	35°	170	49	220	190	94	190
DCRX1520.80.L20	80-100		20°	30°	165	49	220	190	94	190
DCRX1520.80.L25	80-100		25°	25°	150	49	220	190	94	190
DCRX1520.80.L30	80-100		30°	20°	145	50	220	190	94	190
DCRX1520.80.L35	80-100		35°	15°	125	52	220	190	94	190
DCRX1520.80.L40	80-100		40°	10°	115	53	220	190	94	190
DCRX1520.80.L45	80-100		45°	5°	105	50	220	190	94	190
DCRX1520.80.L50	80-100		50°	0°	95	52	220	190	94	190



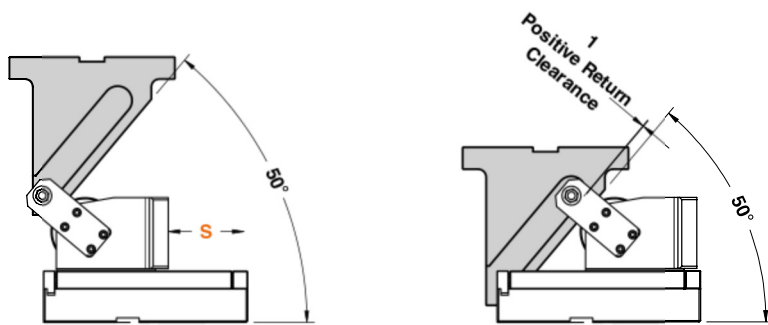


ROLLER CAM DRIVER - TREIBER FÜR ROLLENSCHIEBER - CUNEO PER CAMME A RULLO

FUNCTIONING EXAMPLE FOR WORK ANGLE ( $\beta$ ) FROM  $-5^\circ$  TO  $-15^\circ$



FUNCTIONING EXAMPLE FOR WORK ANGLE ( $\beta$ )= $0^\circ$



Cam Units CRX

FUNCTIONING EXAMPLE FOR WORK ANGLE ( $\beta$ ) FROM  $5^\circ$  TO  $50^\circ$

