



Cam Units CHY
Schieber CHY
Unità a Camme CHY

OMCR[®]
STANDARD DIE COMPONENTS

2018.01

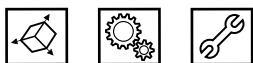
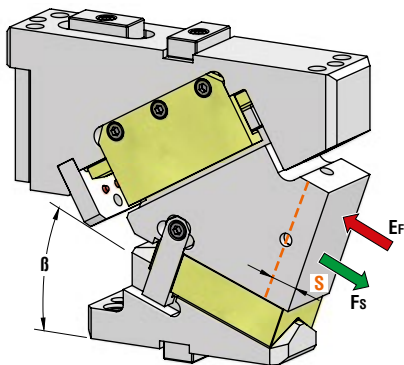
AERIAL CAM UNIT - OBEN HÄNGENDER SCHIEBER - UNITÀ A CAMME SOSPESA

OMCR CODE	Work Angle	Slider Width (mm)	Closed Cam Height (mm)	Work Area W x H (mm)	Max Work Force with shoulder 10 ⁶ cycles (kN)	Extraction Force (kN)	Page number
	β				Fs	Ef	
CHY060	0°±75° (5° steps)	60	210	60x100	79	0,64÷1,61	742
CHY085	0°±75° (5° steps)	85	225	85x110	106	1,38÷3,47	746
CHY110	0°±75° (5° steps)	110	275	110x110	160	1,34÷3,53	750
CHY165	0°±75° (5° steps)	165	300	165x115	183	2,41÷8,06	754
CHY200	0°±75° (5° steps)	200	300	200x115	230	2,63÷8,06	758
CHY250	0°±75° (5° steps)	250	300	250x115	302	5,26÷16,12	762
CHY300	0°±75° (5° steps)	300	375	300x155	389	5,20÷15,58	766
CHY350	0°±75° (5° steps)	350	375	350x155	428	9,80÷29,31	770
CHY400	0°±75° (5° steps)	400	375	400x155	473	7,79÷23,37	774



Precision and accurate dimensions through very strict quality guidelines

AERIAL CAM UNIT - OBEN HÄNGENDER SCHIEBER - UNITÀ A CAMME SOSPESA



P.605

OMCR CODE	Work Angle β	Max Stroke (mm) S	Max Work Force with shoulder (kN) Fs	Extraction Force (kN)
				Ef Gas Spring
CHY060.00	0°	19,28	79	1,61
CHY060.05	5°	21,29	79	1,61
CHY060.10	10°	23,34	79	1,61
CHY060.15	15°	25,44	79	1,61
CHY060.20	20°	27,65	79	1,61
CHY060.25	25°	30	79	1,61
CHY060.30	30°	32,55	79	1,61
CHY060.35	35°	35,38	79	1,61
CHY060.40	40°	38,57	79	1,61
CHY060.45	45°	42,26	79	1,61
CHY060.50	50°	46,67	79	1,61
CHY060.55	55°	52,30	79	1,44
CHY060.60	60°	60	79	1,26
CHY060.65	65°	70,99	79	1,06
CHY060.70	70°	58,48	79	0,85
CHY060.75	75°	77,27	79	0,64

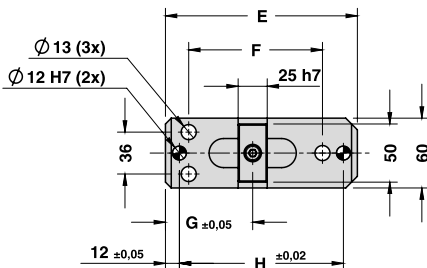
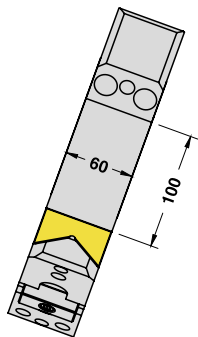


Art.	Work Angle = 5°
CHY060	05

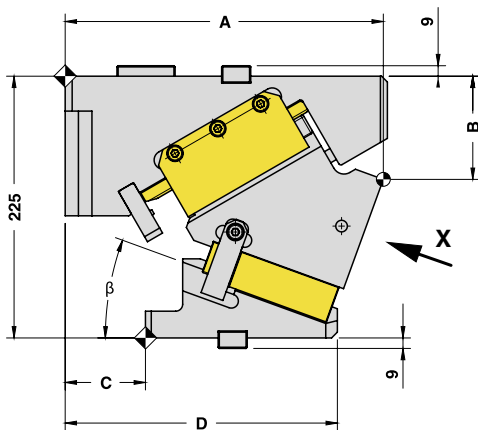
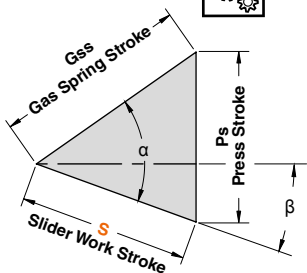
OMCR CODE	Work Angle β	Overall Dimensions (mm)							
		A	B	C	D	E	F	G	H
CHY060.00	0°	267	69	100	265	165	115	75	141
CHY060.05	5°	274,45	73,08	95	260	165	115	75	141
CHY060.10	10°	272,04	77,56	86	251	165	115	75	141
CHY060.15	15°	273,74	82,44	77	242	165	115	75	141
CHY060.20	20°	273,50	88,73	69	234	165	115	75	141
CHY060.25	25°	271,28	93,53	56	221	165	115	75	141
CHY060.30	30°	270,02	98,57	48	213	165	115	75	141
CHY060.35	35°	266,76	105,15	49	194	145	95	65	121
CHY060.40	40°	262,47	112,10	39	184	145	95	65	121
CHY060.45	45°	256,13	126,50	31	176	145	95	65	121
CHY060.50	50°	249,80	134,78	23	153	130	80	58	106
CHY060.55	55°	247,39	141,94	16	146	130	80	58	106
CHY060.60	60°	237,95	149,36	5	135	130	80	58	106
CHY060.65	65°	235	163,68	-5	125	130	80	58	106
CHY060.70	70°	230	177,95	-15	115	130	80	58	106
CHY060.75	75°	222	187,73	-25	105	130	80	58	106

AERIAL CAM UNIT - OBEN HÄNGENDER SCHIEBER - UNITÀ A CAMME SOSPESA

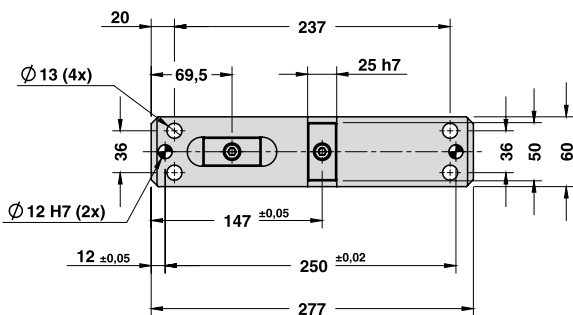
X VIEW



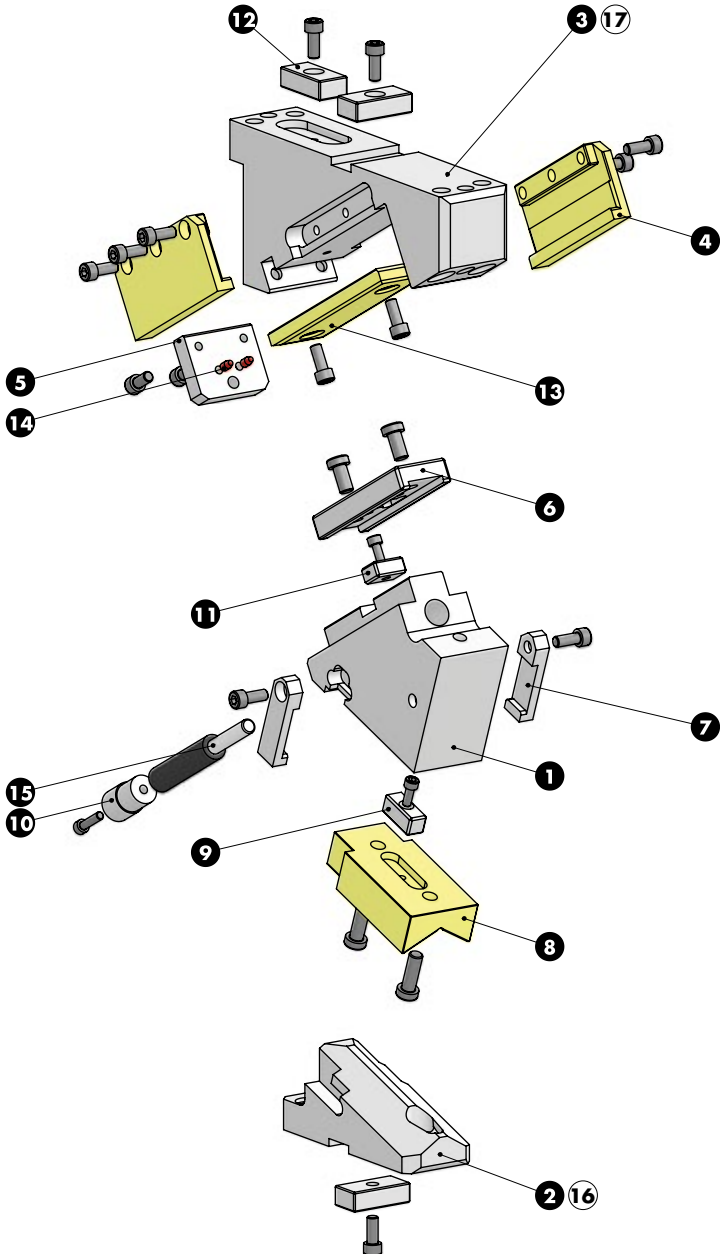
CAM DIAGRAM



Work Angle	Inner Angle	Slider Work Stroke (mm)	Press Stroke (mm)	Gas Spring Stroke (mm)
β	α	S	Ps	Gss
0°	50°	19,28	22,98	30
5°	50°	21,29	23,07	30
10°	50°	23,34	23,34	30
15°	50°	25,44	23,79	30
20°	50°	27,65	24,46	30
25°	50°	30,00	25,36	30
30°	50°	32,55	26,54	30
35°	50°	35,38	28,06	30
40°	50°	38,57	30,00	30
45°	50°	42,26	32,50	30
50°	50°	46,67	35,75	30
55°	55°	52,30	42,84	30
60°	60°	60,00	51,96	30
65°	65°	70,99	64,34	30
70°	70°	58,48	54,95	20
75°	75°	77,27	74,64	20

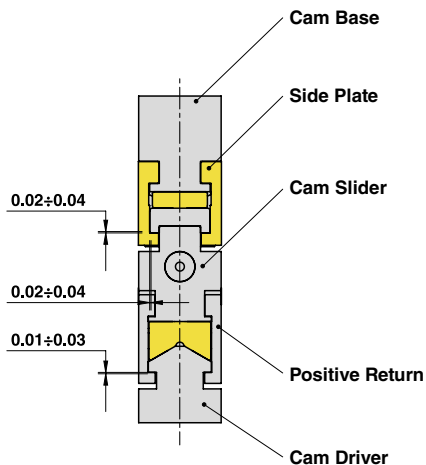


AERIAL CAM UNIT - OBEN HÄNGENDER SCHIEBER - UNITÀ A CAMME SOSPESA



AERIAL CAM UNIT - OBEN HÄNGENDER SCHIEBER - UNITÀ A CAMME SOSPESA

SLIDER STRUCTURE, POSITIVE RETURN STRUCTURE AND CLEARANCES

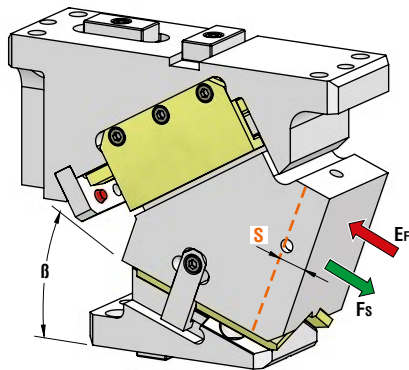


Cam Units CHY

PART LIST

Particular number	Description	Material	Quantity
1	Cam Slider	GGG-60	1
2	Cam Driver	GGG-60	1
3	Cam Base	GGG-60	1
4	Side Plate	CuZn25Al5 + Graphite - HB > 190	2
5	Stopper Plate	St44	1
6	Wear Plate	CK45	1
7	Positive Return	CK45	2
8	Female "V" Driver	CuZn25Al5 + Graphite - HB > 190	1
9	Key	CK45	1
10	Spring Spacer	CK45	1
11	Key	CK45	1
12	Key	CK45	3
13	Wear Plate VDI 3357	CuZn25Al5 + Graphite - HB > 190	1
14	Elastomer Cap	Elastomer 92SH	2
15	Gas Spring	-	1
16	Cam Driver Fixing Screws M12x45 DIN 912	-	3
17	Cam Base Fixing Screws M12x45 DIN 912	-	4

AERIAL CAM UNIT - OBEN HÄNGENDER SCHIEBER - UNITÀ A CAMME SOSPESA



P.605

OMCR CODE	Work Angle β	Max Stroke (mm) S	Max Work Force with shoulder (kN) Fs	Extraction Force (kN)
				Ef Gas Spring
CHY085.00	0°	19,28	106	3,47
CHY085.05	5°	21,29	106	3,47
CHY085.10	10°	23,34	106	3,47
CHY085.15	15°	25,44	106	3,47
CHY085.20	20°	27,65	106	3,47
CHY085.25	25°	30	106	3,47
CHY085.30	30°	32,55	106	3,47
CHY085.35	35°	35,38	106	3,47
CHY085.40	40°	38,57	106	3,47
CHY085.45	45°	42,26	106	3,47
CHY085.50	50°	46,67	106	3,47
CHY085.55	55°	52,30	106	3,10
CHY085.60	60°	60	106	2,70
CHY085.65	65°	70,99	106	2,28
CHY085.70	70°	58,48	106	1,83
CHY085.75	75°	77,27	106	1,38

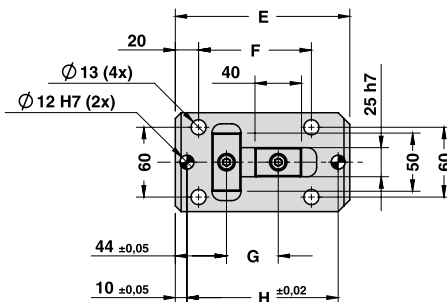
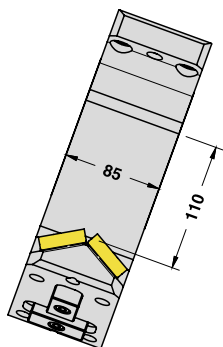


Art.	Work Angle = 5°
CHY085	05

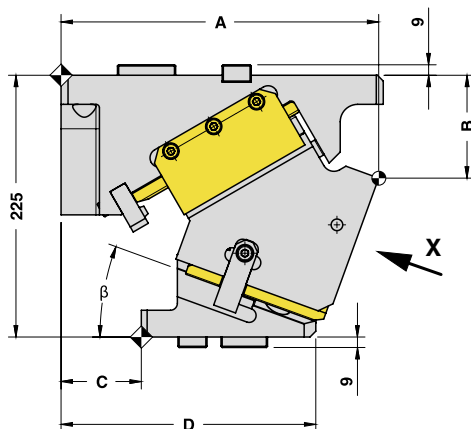
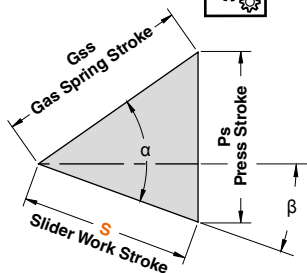
OMCR CODE	Work Angle β	Overall Dimensions (mm)							
		A	B	C	D	E	F	G	H
CHY085.00	0°	267	63	115	265	150	97	49,5	130
CHY085.05	5°	272,39	67,16	110	260	150	97	49,5	130
CHY085.10	10°	275,07	71,77	101	251	150	97	49,5	130
CHY085.15	15°	277,99	79,72	92	242	150	97	49,5	130
CHY085.20	20°	273,08	88,43	69	219	150	97	49,5	130
CHY085.25	25°	271,30	94,15	60	210	150	97	49,5	130
CHY085.30	30°	269,61	100,26	52	202	150	97	49,5	130
CHY085.35	35°	265,99	103,46	47	197	150	97	49,5	130
CHY085.40	40°	262,39	110,53	37	177	140	87	42,5	120
CHY085.45	45°	256,82	117,97	23	163	140	87	42,5	120
CHY085.50	50°	249,24	133,48	20	150	130	77	32,5	110
CHY085.55	55°	250,67	140,79	19	149	130	77	32,5	110
CHY085.60	60°	240,10	149,35	4	134	130	77	32,5	110
CHY085.65	65°	235	159,05	-5	125	130	77	32,5	110
CHY085.70	70°	230	168,88	-15	115	130	80	32,5	110
CHY085.75	75°	228	186,99	-25	105	130	90	32,5	110

AERIAL CAM UNIT - OBEN HÄNGENDER SCHIEBER - UNITÀ A CAMME SOSPESA

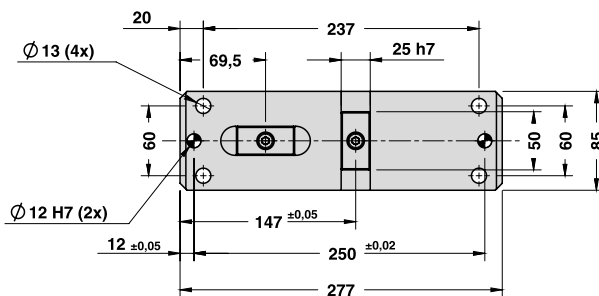
X VIEW



CAM DIAGRAM

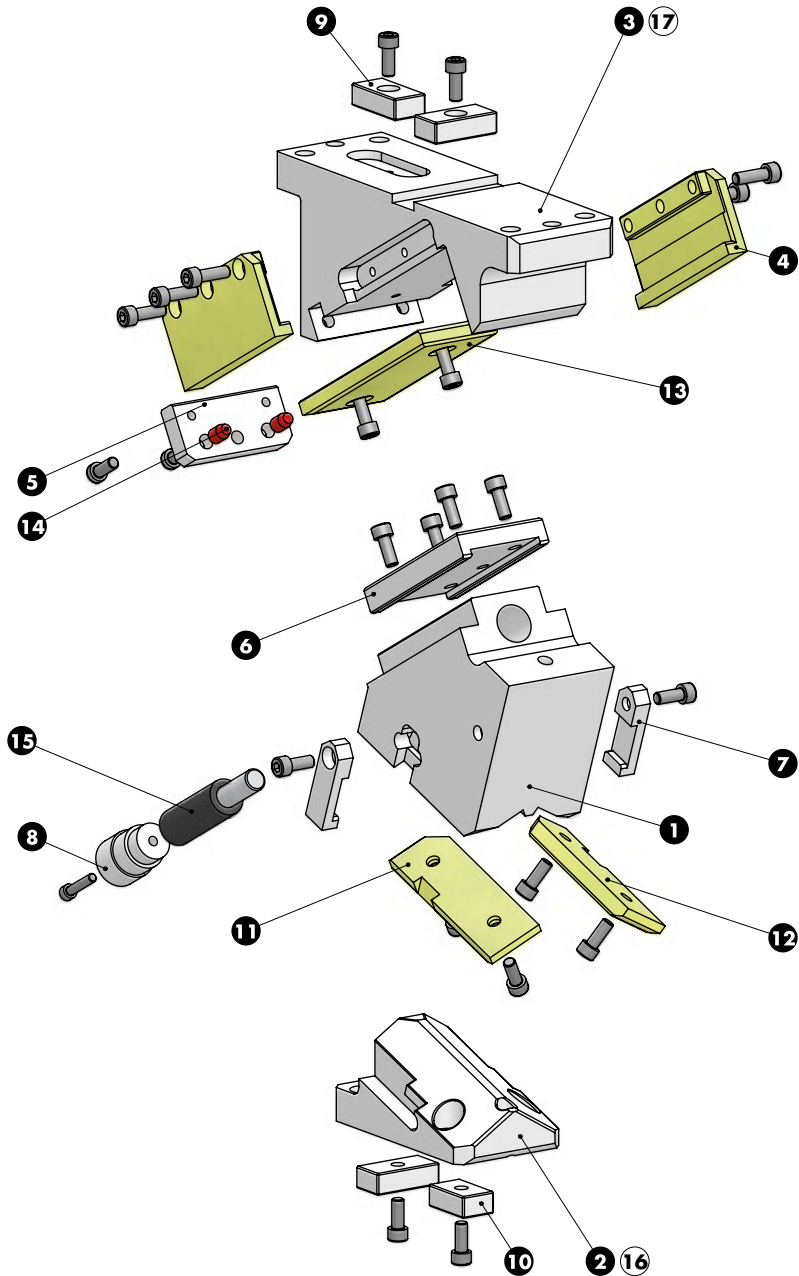


Work Angle	Inner Angle	Slider Work Stroke (mm)	Press Stroke (mm)	Gas Spring Stroke (mm)
β	α	S	Ps	Gss
0°	50°	19,28	22,98	30
5°	50°	21,29	23,07	30
10°	50°	23,34	23,34	30
15°	50°	25,44	23,79	30
20°	50°	27,65	24,46	30
25°	50°	30,00	25,36	30
30°	50°	32,55	26,54	30
35°	50°	35,38	28,06	30
40°	50°	38,57	30,00	30
45°	50°	42,26	32,50	30
50°	50°	46,67	35,75	30
55°	55°	52,30	42,84	30
60°	60°	60,00	51,96	30
65°	65°	70,99	64,34	30
70°	70°	58,48	54,95	20
75°	75°	77,27	74,64	20



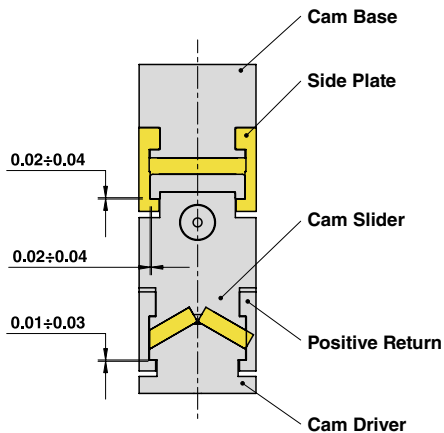
Cam Units CHY

AERIAL CAM UNIT - OBEN HÄNGENDER SCHIEBER - UNITÀ A CAMME SOSPESA



AERIAL CAM UNIT - OBEN HÄNGENDER SCHIEBER - UNITÀ A CAMME SOSPESA

SLIDER STRUCTURE, POSITIVE RETURN STRUCTURE AND CLEARANCES

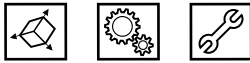
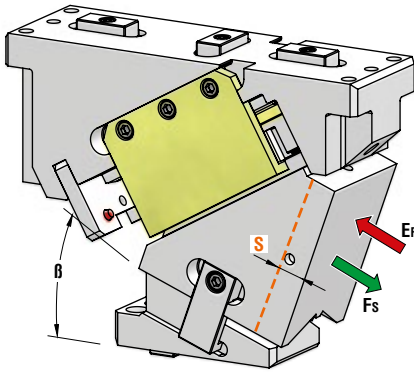


PART LIST

Particular number	Description	Material	Quantity
1	Cam Slider	GGG-60	1
2	Cam Driver	GGG-60	1
3	Cam Base	GGG-60	1
4	Side Plate	CuZn25Al5 + Graphite - HB > 190	2
5	Stopper Plate	St44	1
6	Wear Plate	CK45	1
7	Positive Return	CK45	2
8	Spring Spacer	CK45	1
9	Key	CK45	3
10	Key	CK45	1
11	Wear Plate L	CuZn25Al5 + Graphite - HB > 190	1
12	Wear Plate R	CuZn25Al5 + Graphite - HB > 190	1
13	Wear Plate VDI 3357	CuZn25Al5 + Graphite - HB > 190	1
14	Elastomer Cap	Elastomer 92SH	2
15	Gas Spring	-	1
16	Cam Driver Fixing Screws M12x40 DIN 912	-	4
17	Cam Base Fixing Screws M12x45 DIN 912	-	4

Cam Units CHY

AERIAL CAM UNIT - OBEN HÄNGENDER SCHIEBER - UNITÀ A CAMME SOSPESA



P.605

OMCR CODE	Work Angle	Max Stroke (mm)	Max Work Force with shoulder (kN)	Extraction Force (kN)
				EF
	β	S	Fs	Gas Spring
CHY110.00	0°	32,14	160	3,53
CHY110.05	5°	35,49	160	3,53
CHY110.10	10°	38,89	160	3,53
CHY110.15	15°	42,40	160	3,53
CHY110.20	20°	46,08	160	3,53
CHY110.25	25°	50	160	3,53
CHY110.30	30°	54,25	160	3,53
CHY110.35	35°	58,96	160	3,53
CHY110.40	40°	64,28	160	3,53
CHY110.45	45°	70,44	160	3,53
CHY110.50	50°	77,79	160	3,53
CHY110.55	55°	87,17	160	3,15
CHY110.60	60°	100	160	2,75
CHY110.65	65°	94,65	160	2,32
CHY110.70	70°	81,87	160	1,77
CHY110.75	75°	108,18	160	1,34

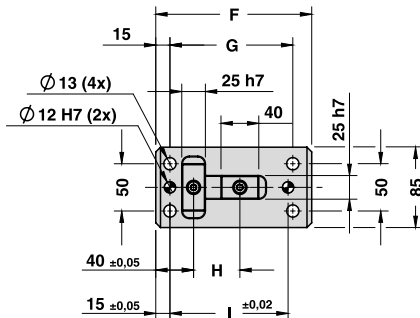
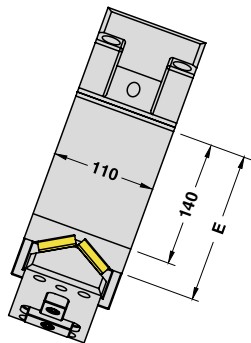


Art.	Work Angle = 5°
CHY110	05

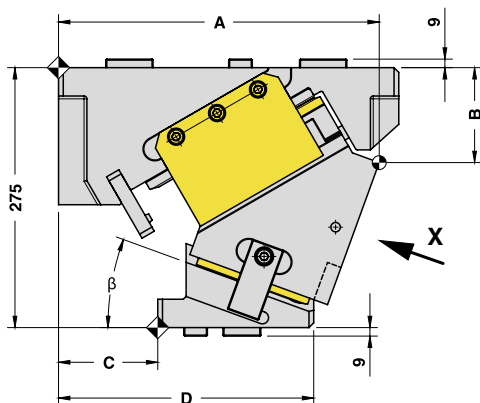
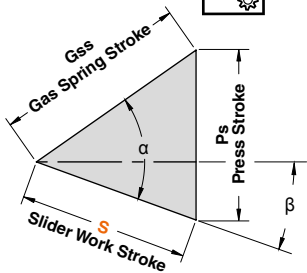
OMCR CODE	Work Angle	Overall Dimensions (mm)														
		β	A	B	C	D	E	F	G	H	I	J	K	L	M	N
CHY110.00	0°	318	70	138	303	145	165	130	49	125	300	137,5	70	185	295	330
CHY110.05	5°	324,46	79,26	130	295	145	165	130	49	125	300	137,5	70	185	295	330
CHY110.10	10°	330,22	84,13	121	286	145	165	130	49	125	330	137,5	70	185	325	360
CHY110.15	15°	336,20	94,45	114	279	145	165	130	49	125	330	192,5	75	205	325	360
CHY110.20	20°	339,32	100,42	105	270	145	165	130	49	125	330	192,5	75	205	325	360
CHY110.25	25°	340,51	109,67	94	259	145	165	130	49	125	330	192,5	75	205	325	360
CHY110.30	30°	348,36	120,54	70	250	145	180	145	55	140	330	192,5	75	205	325	360
CHY110.35	35°	343,52	127,82	54	234	145	180	145	55	140	330	192,5	75	205	325	360
CHY110.40	40°	332,59	139,41	64	214	145	150	110	35	105	330	192,5	75	205	325	360
CHY110.45	45°	322,52	149,44	45	195	145	150	110	35	105	330	192,5	75	205	325	360
CHY110.50	50°	309,47	156,17	25	175	145	150	110	35	105	315	180,5	93	185	310	345
CHY110.55	55°	311,07	169,79	18	168	145	150	110	35	105	315	180,5	93	185	310	345
CHY110.60	60°	327,93	168,85	7	157	180	150	110	35	105	315	180,5	93	185	310	345
CHY110.65	65°	317,17	185	-10	140	180	150	110	35	105	315	180,5	93	185	310	345
CHY110.70	70°	313,12	205	-20	130	180	150	110	35	105	315	180,5	93	185	310	345
CHY110.75	75°	306,79	225	-30	120	180	150	110	35	105	315	180,5	93	185	310	345

AERIAL CAM UNIT - OBEN HÄNGENDER SCHIEBER - UNITÀ A CAMME SOSPESA

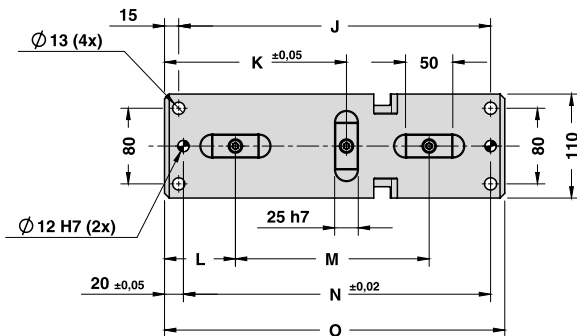
X VIEW



CAM DIAGRAM

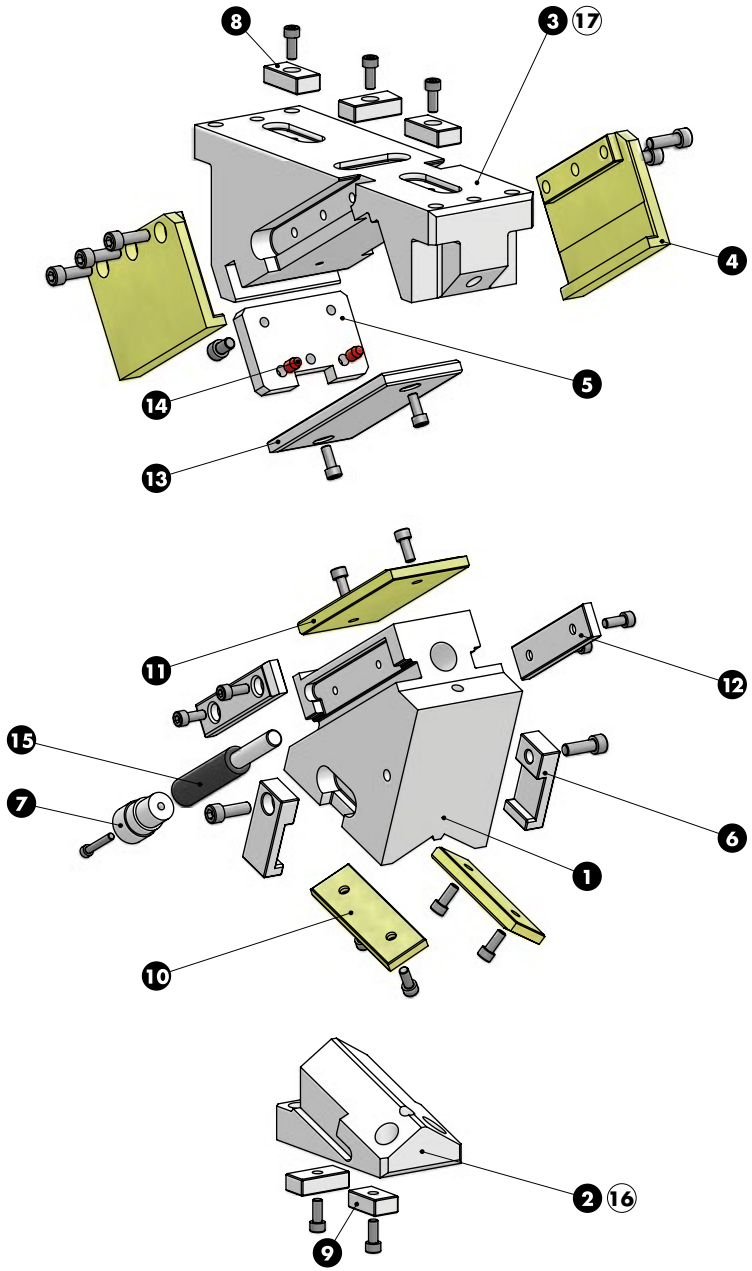


Work Angle	Inner Angle	Slider Work Stroke (mm)	Press Stroke (mm)	Gas Spring Stroke (mm)
β	α	S	Ps	Gss
0°	50°	32,14	38,30	50
5°	50°	35,49	38,45	50
10°	50°	38,89	38,89	50
15°	50°	42,40	39,65	50
20°	50°	46,08	40,76	50
25°	50°	50,00	42,26	50
30°	50°	54,25	44,23	50
35°	50°	58,96	46,76	50
40°	50°	64,28	50,00	50
45°	50°	70,44	54,17	50
50°	50°	77,79	59,59	50
55°	55°	87,17	71,41	50
60°	60°	100,00	86,60	50
65°	65°	94,65	85,78	40
70°	70°	81,87	76,93	28
75°	75°	108,18	104,50	28



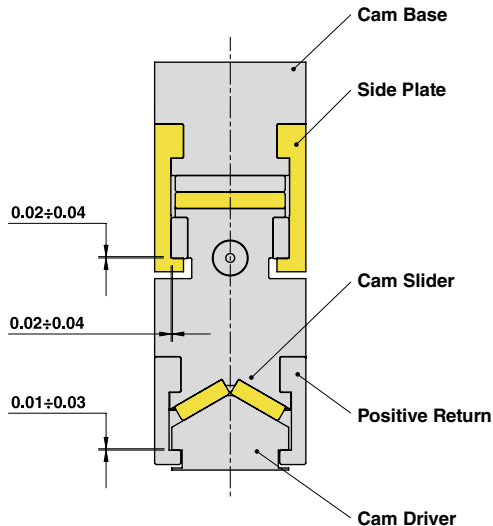
Cam Units CHY

AERIAL CAM UNIT - OBEN HÄNGENDER SCHIEBER - UNITÀ A CAMME SOSPESA



AERIAL CAM UNIT - OBEN HÄNGENDER SCHIEBER - UNITÀ A CAMME SOSPESA

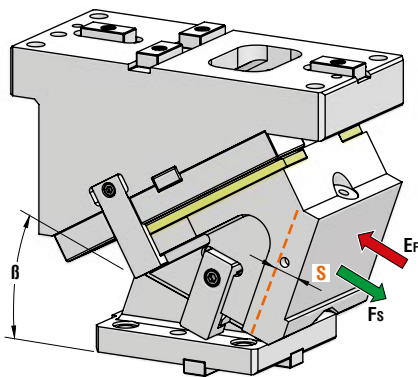
SLIDER STRUCTURE, POSITIVE RETURN STRUCTURE AND CLEARANCES



PART LIST

Particular number	Description	Material	Quantity
1	Cam Slider	GGG-60	1
2	Cam Driver	GGG-60	1
3	Cam Base	GGG-60	1
4	Side Plate	CuZn25Al5 + Graphite - HB > 190	2
5	Stopper Plate	St44	1
6	Positive Return	CK45	2
7	Spring Spacer	CK45	1
8	Key	CK45	4
9	Key	CK45	1
10	Wear Plate VDI 3357	CuZn25Al5 + Graphite - HB > 190	2
11	Wear Plate VDI 3357	CuZn25Al5 + Graphite - HB > 190	1
12	Wear Plate VDI 3357	CK45	2
13	Wear Plate VDI 3357	CK45	1
14	Elastomer Cap	Elastomer 92SH	2
15	Gas Spring	-	1
16	Cam Driver Fixing Screws M12x35 DIN 912	-	4
17	Cam Base Fixing Screws M12x45 DIN 912	-	4

AERIAL CAM UNIT - OBEN HÄNGENDER SCHIEBER - UNITÀ A CAMME SOSPESA



P.605

OMCR CODE	Work Angle β	Max Stroke (mm) S	Max Work Force with shoulder (kN) F_s	Extraction Force (kN)
				E_f Gas Spring
CHY165.00	0°	32,14	183	8,06
CHY165.05	5°	35,49	183	8,06
CHY165.10	10°	38,89	183	8,06
CHY165.15	15°	42,40	183	8,06
CHY165.20	20°	46,08	183	8,06
CHY165.25	25°	50	183	8,06
CHY165.30	30°	54,25	183	8,06
CHY165.35	35°	58,96	183	8,06
CHY165.40	40°	64,28	183	8,06
CHY165.45	45°	70,44	183	8,06
CHY165.50	50°	77,79	183	8,06
CHY165.55	55°	61,02	183	6,65
CHY165.60	60°	40	183	5,08
CHY165.65	65°	47,32	183	4,29
CHY165.70	70°	58,48	183	3,47
CHY165.75	75°	57,96	183	2,41

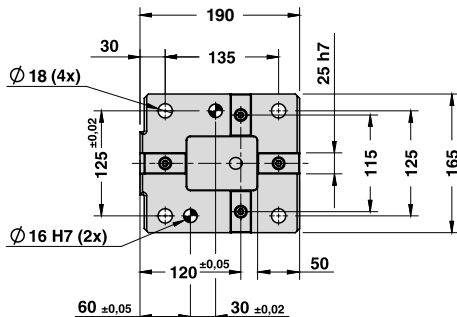
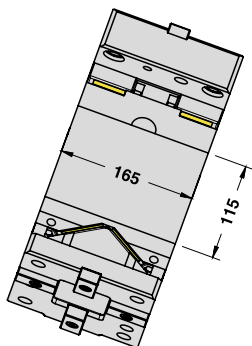


Art.	Work Angle = 5°
CHY165	05

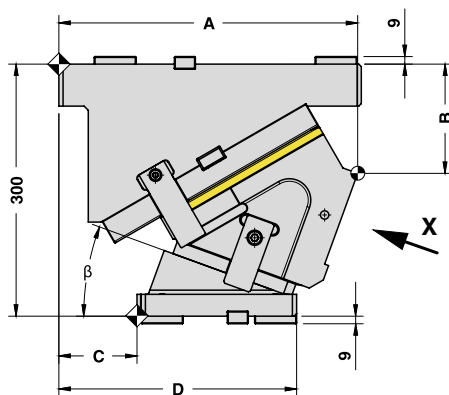
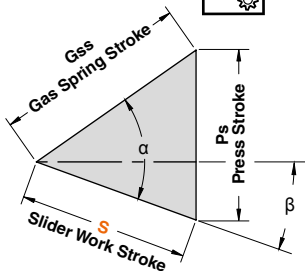
OMCR CODE	Work Angle β	Overall Dimensions (mm)			
		A	B	C	D
CHY165.00	0°	360	95	150	340
CHY165.05	5°	356,25	100,91	134	324
CHY165.10	10°	359,27	111,09	118	308
CHY165.15	15°	355,78	122,47	111	301
CHY165.20	20°	355,68	130	93	283
CHY165.25	25°	354,25	138,92	80	270
CHY165.30	30°	357,28	148,28	70	260
CHY165.35	35°	345,80	158,89	64	254
CHY165.40	40°	344,27	170,38	58	248
CHY165.45	45°	344,86	182,66	40	230
CHY165.50	50°	327,27	195,63	10	200
CHY165.55	55°	324,39	210,20	0	190
CHY165.60	60°	317,59	215,63	-7	183
CHY165.65	65°	314,23	231,40	-15	185
CHY165.70	70°	308,07	245,67	-25	175
CHY165.75	75°	301,08	260,24	-35	165

AERIAL CAM UNIT - OBEN HÄNGENDER SCHIEBER - UNITÀ A CAMME SOSPESA

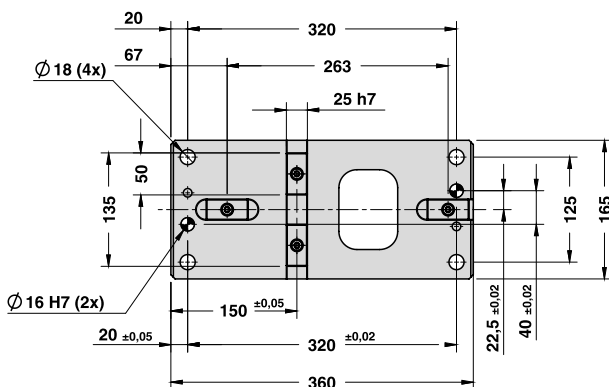
X VIEW



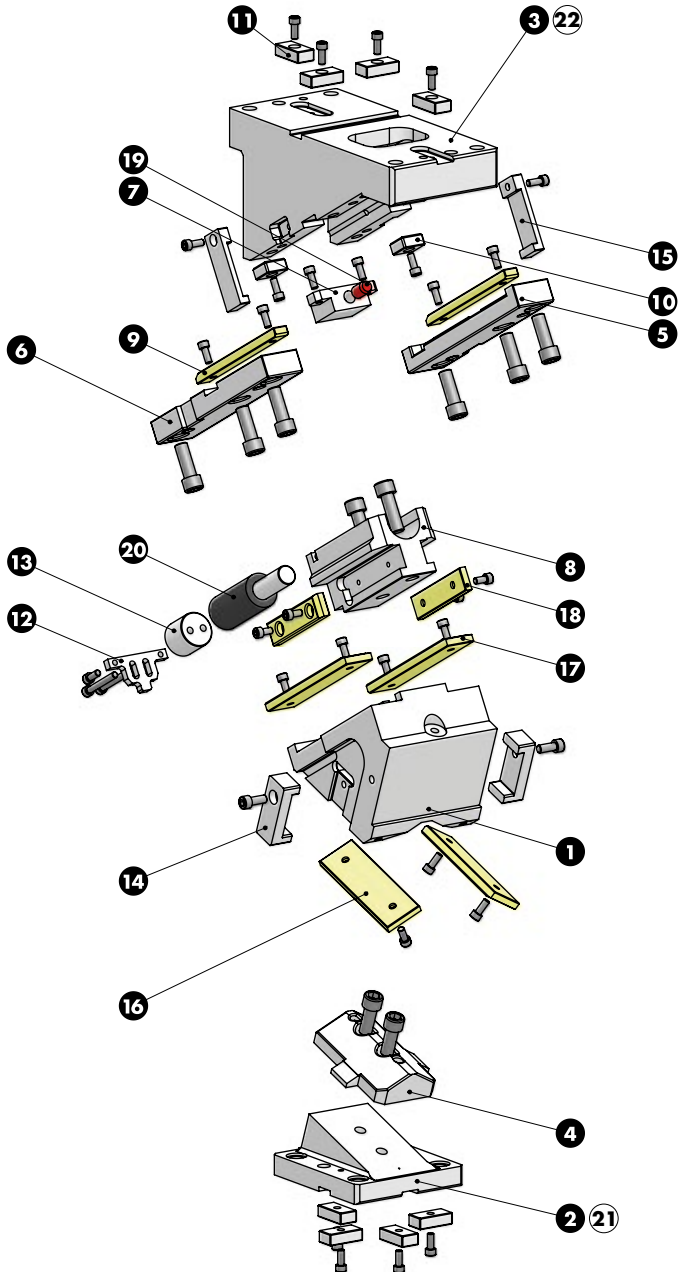
CAM DIAGRAM



Work Angle	Inner Angle	Slider Work Stroke (mm)	Press Stroke (mm)	Gas Spring Stroke (mm)
β	α	S	Ps	Gss
0°	50°	32,14	38,30	50
5°	50°	35,49	38,45	50
10°	50°	38,89	38,89	50
15°	50°	42,40	39,65	50
20°	50°	46,08	40,76	50
25°	50°	50,00	42,26	50
30°	50°	54,25	44,23	50
35°	50°	58,96	46,76	50
40°	50°	64,28	50,00	50
45°	50°	70,44	54,17	50
50°	50°	77,79	59,59	50
55°	55°	61,02	49,99	35
60°	60°	40,00	34,64	20
65°	65°	47,32	42,89	20
70°	70°	58,48	54,95	20
75°	75°	57,96	55,98	15

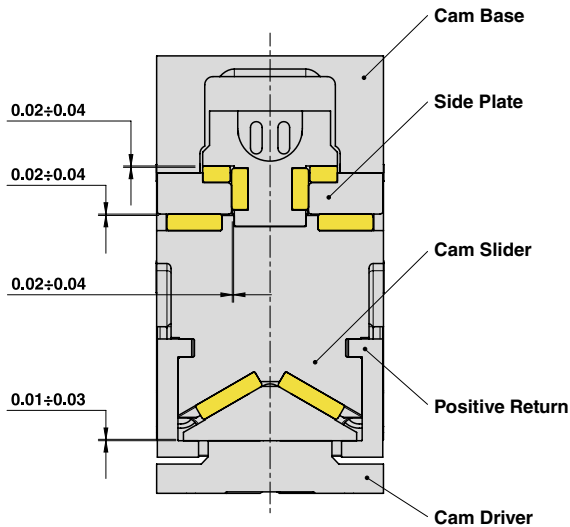


AERIAL CAM UNIT - OBEN HÄNGENDER SCHIEBER - UNITÀ A CAMME SOSPESA



AERIAL CAM UNIT - OBEN HÄNGENDER SCHIEBER - UNITÀ A CAMME SOSPESA

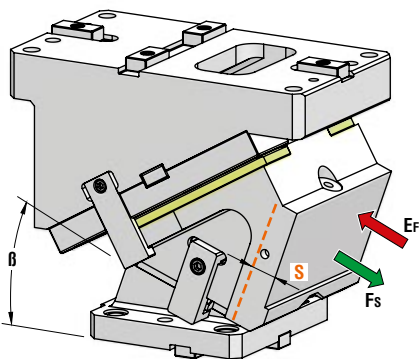
SLIDER STRUCTURE, POSITIVE RETURN STRUCTURE AND CLEARANCES



PART LIST

Particular number	Description	Material	Quantity
1	Cam Slider	GGG-60	1
2	Cam Driver	GGG-60	1
3	Cam Base	GGG-60	1
4	Male "V" Driver	CK45	1
5	Side Plate R	CK45	1
6	Side Plate L	CK45	1
7	Stopper Plate	CK45	1
8	Spring Guide Block	CK45	1
9	Wear Plate	CuZn25Al5 + Graphite - HB > 190	2
10	Key	CK45	2
11	Key	CK45	8
12	Spring Stopper Plate	CK45	1
13	Spring Spacer	CK45	1
14	Positive Return	42CrMo4 Nitrided	2
15	Positive Return	CK45	2
16	Wear Plate VDI 3357	CuZn25Al5 + Graphite - HB > 190	2
17	Wear Plate VDI 3357	CuZn25Al5 + Graphite - HB > 190	2
18	Wear Plate VDI 3357	CuZn25Al5 + Graphite - HB > 190	2
19	Elastomer Cap	Elastomer 92SH	1
20	Gas Spring	-	1
21	Cam Driver Fixing Screws M16x55 DIN 912	-	4
22	Cam Base Fixing Screws M16x80 DIN 912	-	4

AERIAL CAM UNIT - OBEN HÄNGENDER SCHIEBER - UNITÀ A CAMME SOSPESA



P.605

OMCR CODE	Work Angle	Max Stroke (mm)	Max Work Force with shoulder (kN)	Extraction Force (kN)
	β	S	Fs	Ef Gas Spring
CHY200.00	0°	32,14	230	8,06
CHY200.05	5°	35,49	230	8,06
CHY200.10	10°	38,89	230	8,06
CHY200.15	15°	42,40	230	8,06
CHY200.20	20°	46,08	230	8,06
CHY200.25	25°	50	230	8,06
CHY200.30	30°	54,25	230	8,06
CHY200.35	35°	58,96	230	8,06
CHY200.40	40°	64,28	230	8,06
CHY200.45	45°	70,44	230	8,06
CHY200.50	50°	77,79	230	8,06
CHY200.55	55°	86,30	230	6,18
CHY200.60	60°	96	230	5,38
CHY200.65	65°	106,99	230	4,55
CHY200.70	70°	119,48	230	3,47
CHY200.75	75°	133,27	230	2,63

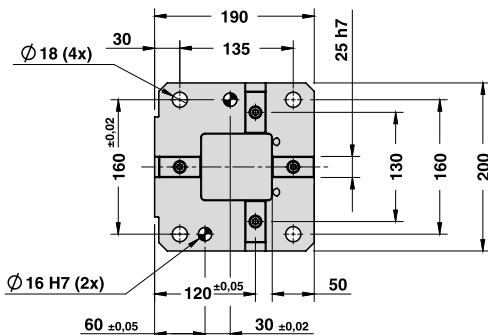
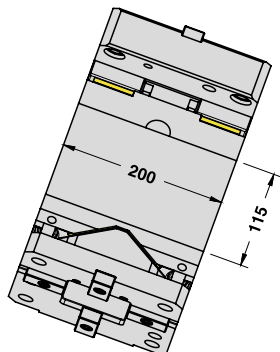


Art.	Work Angle = 5°
CHY200	05

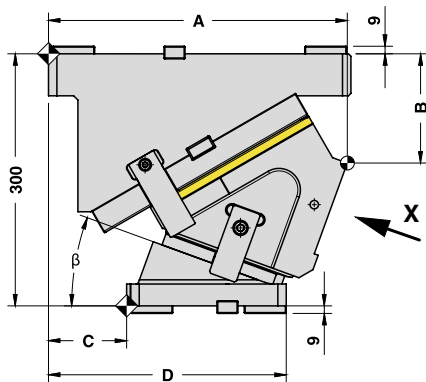
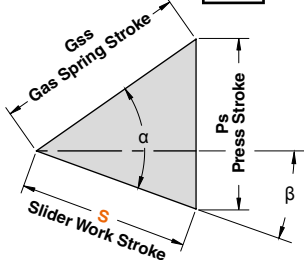
OMCR CODE	Work Angle	Overall Dimensions (mm)			
	β	A	B	C	D
CHY200.00	0°	360	95	150	340
CHY200.05	5°	356,25	100,91	134	324
CHY200.10	10°	359,27	111,09	118	308
CHY200.15	15°	355,78	122,47	111	301
CHY200.20	20°	355,68	130	93	283
CHY200.25	25°	354,88	138,62	80	270
CHY200.30	30°	357,28	148,28	70	260
CHY200.35	35°	345,80	158,89	64	254
CHY200.40	40°	344,27	170,38	58	248
CHY200.45	45°	344,86	182,66	40	230
CHY200.50	50°	327,27	195,63	10	200
CHY200.55	55°	324,39	210,20	0	190
CHY200.60	60°	317,59	215,63	-7	183
CHY200.65	65°	319,23	231,40	-15	175
CHY200.70	70°	313,07	245,67	-25	165
CHY200.75	75°	306,08	260,24	-35	155

AERIAL CAM UNIT - OBEN HÄNGENDER SCHIEBER - UNITÀ A CAMME SOSPESA

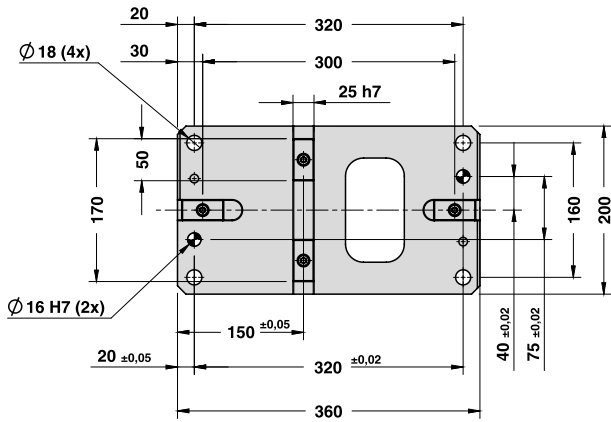
X VIEW



CAM DIAGRAM

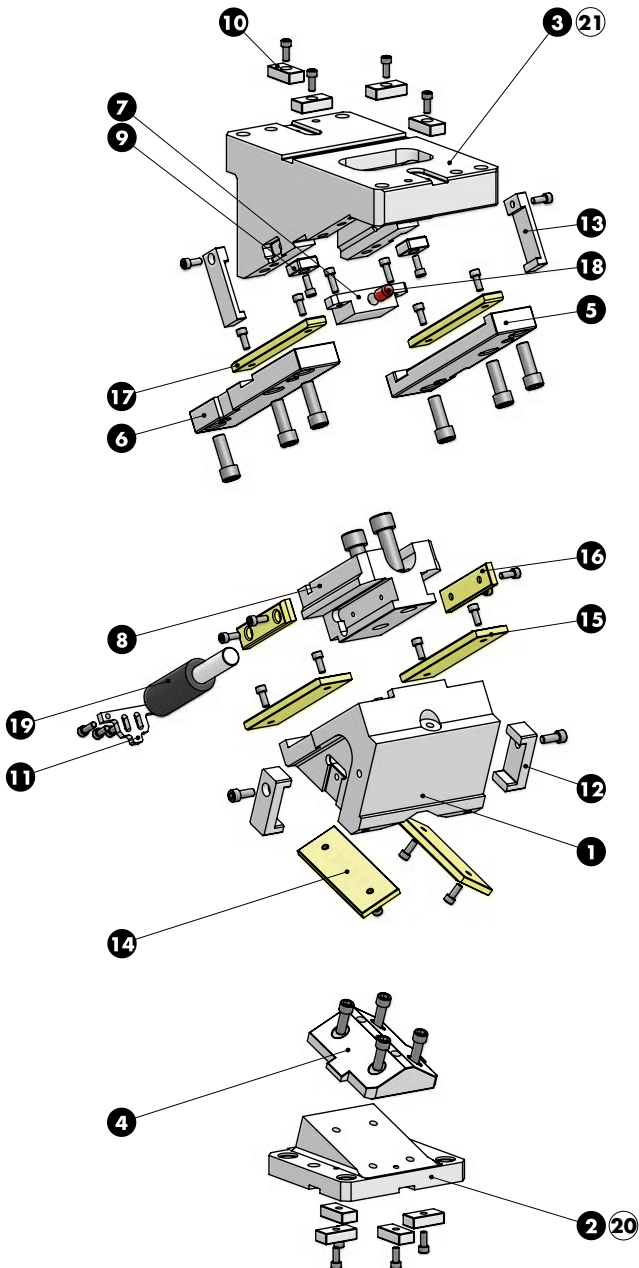


Work Angle	Inner Angle	Slider Work Stroke (mm)	Press Stroke (mm)	Gas Spring Stroke (mm)
β	α	S	Ps	Gss
0°	50°	32,14	38,30	50
5°	50°	35,49	38,45	50
10°	50°	38,89	38,89	50
15°	50°	42,40	39,65	50
20°	50°	46,08	40,76	50
25°	50°	50,00	42,26	50
30°	50°	54,25	44,23	50
35°	50°	58,96	46,76	50
40°	50°	64,28	50,00	50
45°	50°	70,44	54,17	50
50°	50°	77,79	59,59	50
55°	55°	52,30	42,84	30
60°	60°	60,00	51,96	30
65°	65°	70,99	64,34	30
70°	70°	58,48	54,95	20
75°	75°	77,27	74,64	20



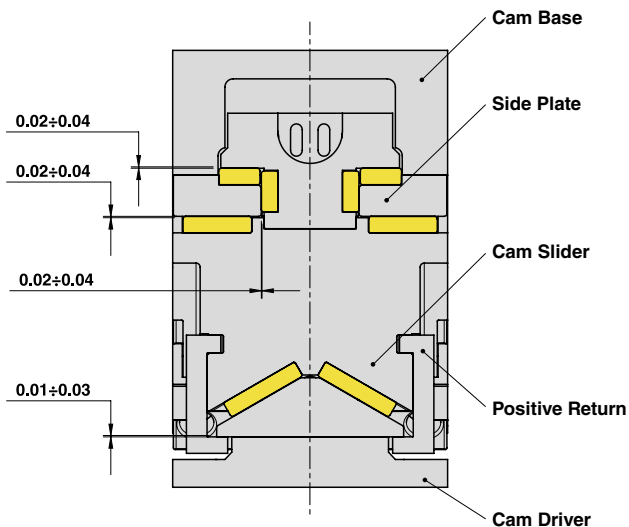
Cam Units CHY

AERIAL CAM UNIT - OBEN HÄNGENDER SCHIEBER - UNITÀ A CAMME SOSPESA



AERIAL CAM UNIT - OBEN HÄNGENDER SCHIEBER - UNITÀ A CAMME SOSPESA

SLIDER STRUCTURE, POSITIVE RETURN STRUCTURE AND CLEARANCES

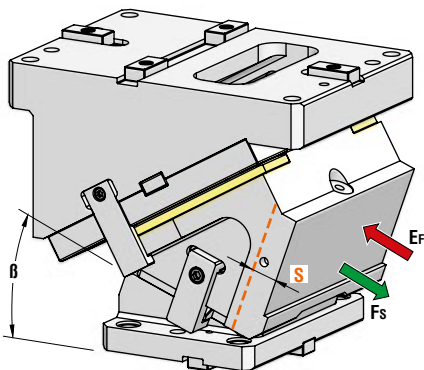


PART LIST

Particular number	Description	Material	Quantity
1	Cam Slider	GGG-60	1
2	Cam Driver	GGG-60	1
3	Cam Base	GGG-60	1
4	Male "V" Driver	CK45	1
5	Side Plate R	CK45	1
6	Side Plate L	CK45	1
7	Stopper Plate	CK45	1
8	Spring Guide Block	CK45	1
9	Key	CK45	2
10	Key	CK45	8
11	Spring Stopper Plate	CK45	1
12	Positive Return	42CrMo4 Nitrided	2
13	Positive Return	CK45	2
14	Wear Plate VDI 3357	CuZn25Al5 + Graphite + Graphite - HB > 190	2
15	Wear Plate VDI 3357	CuZn25Al5 + Graphite - HB > 190	2
16	Wear Plate VDI 3357	CuZn25Al5 + Graphite - HB > 190	2
17	Wear Plate VDI 3357	CuZn25Al5 + Graphite - HB > 190	2
18	Elastomer Cap	Elastomer 92SH	1
19	Gas Spring	-	1
20	Cam Driver Fixing Screws M16x55 DIN 912	-	4
21	Cam Base Fixing Screws M16x80 DIN 912	-	4

Cam Units CHY

AERIAL CAM UNIT - OBEN HÄNGENDER SCHIEBER - UNITÀ A CAMME SOSPESA



P.605

OMCR CODE	Work Angle	Max Stroke (mm)	Max Work Force with shoulder (kN)	Extraction Force (kN)
	β	S	Fs	Ef Gas Spring
CHY250.00	0°	32,14	302	16,12
CHY250.05	5°	35,49	302	16,12
CHY250.10	10°	38,89	302	16,12
CHY250.15	15°	42,40	302	16,12
CHY250.20	20°	46,08	302	16,12
CHY250.25	25°	50	302	16,12
CHY250.30	30°	54,25	302	16,12
CHY250.35	35°	58,96	302	16,12
CHY250.40	40°	64,28	302	16,12
CHY250.45	45°	70,44	302	16,12
CHY250.50	50°	77,79	302	16,12
CHY250.55	55°	82,30	302	12,35
CHY250.60	60°	60	302	10,77
CHY250.65	65°	70,99	302	9,10
CHY250.70	70°	58,48	302	6,94
CHY250.75	75°	77,27	302	5,26

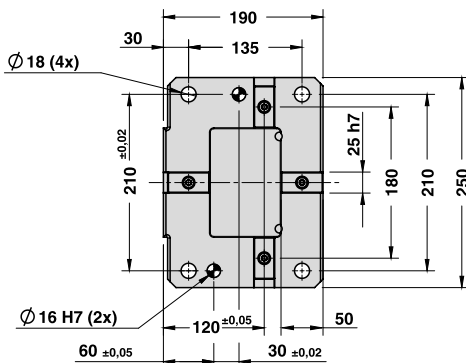
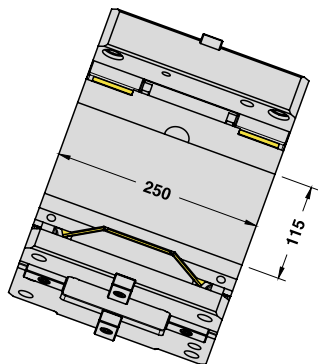


Art.	Work Angle = 5°
CHY250	05

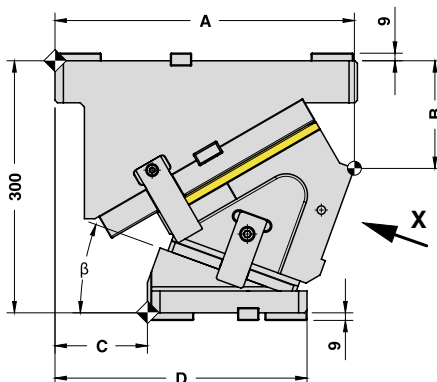
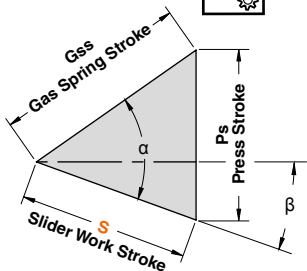
OMCR CODE	Work Angle	Overall Dimensions (mm)			
	β	A	B	C	D
CHY250.00	0°	360	95	150	340
CHY250.05	5°	356,43	98,92	134	324
CHY250.10	10°	359,62	109,12	118	308
CHY250.15	15°	356,30	120,53	111	301
CHY250.20	20°	356,37	128,12	93	283
CHY250.25	25°	355,73	136,81	80	270
CHY250.30	30°	358,28	146,55	70	260
CHY250.35	35°	346,94	157,25	64	254
CHY250.40	40°	345,56	168,85	58	248
CHY250.45	45°	346,27	181,24	40	230
CHY250.50	50°	328,80	194,34	10	200
CHY250.55	55°	326,84	208,48	0	190
CHY250.60	60°	320,19	214,13	-7	183
CHY250.65	65°	319,23	231,40	-15	175
CHY250.70	70°	313,07	245,67	-25	165
CHY250.75	75°	306,08	260,24	-35	155

AERIAL CAM UNIT - OBEN HÄNGENDER SCHIEBER - UNITÀ A CAMME SOSPESA

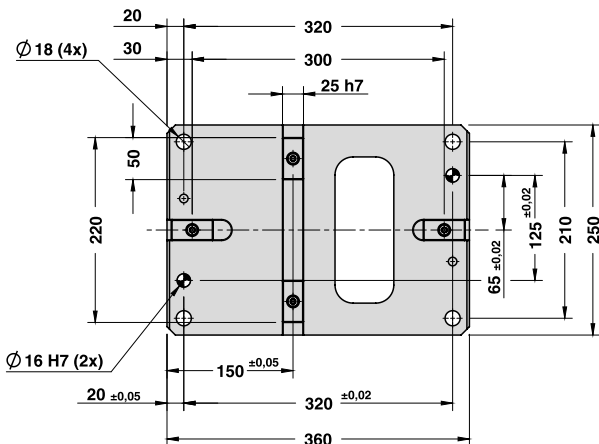
X VIEW



CAM DIAGRAM

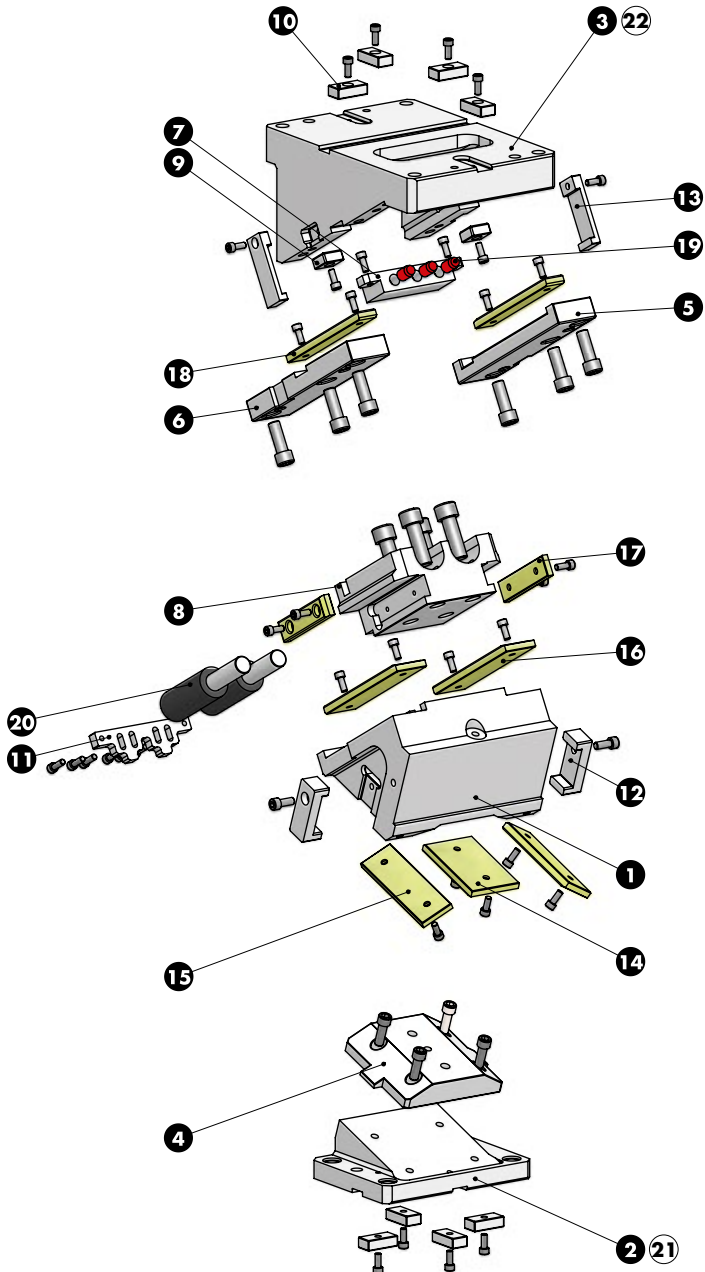


Work Angle	Inner Angle	Slider Work Stroke (mm)	Press Stroke (mm)	Gas Spring Stroke (mm)
β	α	S	Ps	Gss
0°	50°	32,14	38,30	50
5°	50°	35,49	38,45	50
10°	50°	38,89	38,89	50
15°	50°	42,40	39,65	50
20°	50°	46,08	40,76	50
25°	50°	50,00	42,26	50
30°	50°	54,25	44,23	50
35°	50°	58,96	46,76	50
40°	50°	64,28	50,00	50
45°	50°	70,44	54,17	50
50°	50°	77,79	59,59	50
55°	55°	52,30	42,84	30
60°	60°	60,00	51,96	30
65°	65°	70,99	64,34	30
70°	70°	58,48	54,95	20
75°	75°	77,27	74,64	20



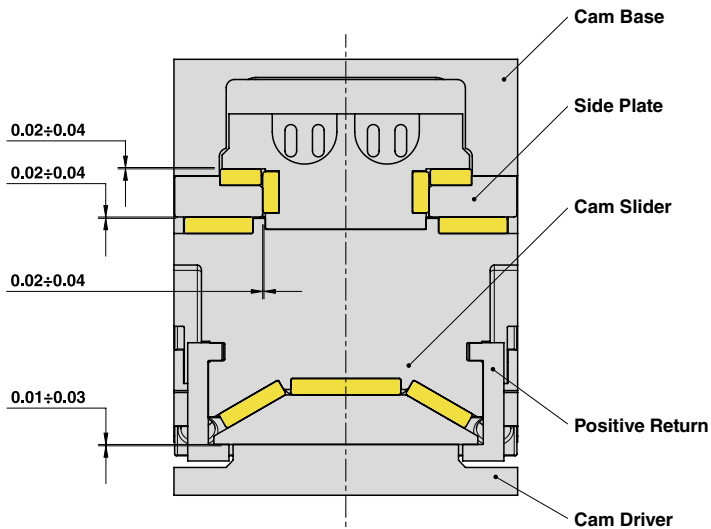
Cam Units CHY

AERIAL CAM UNIT - OBEN HÄNGENDER SCHIEBER - UNITÀ A CAMME SOSPESA



AERIAL CAM UNIT - OBEN HÄNGENDER SCHIEBER - UNITÀ A CAMME SOSPESA

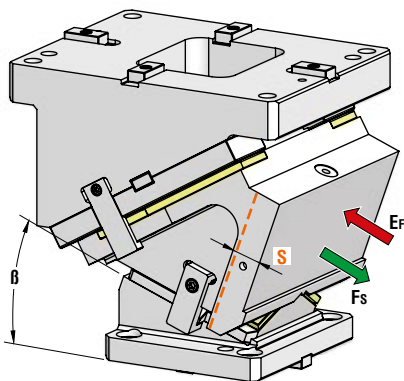
SLIDER STRUCTURE, POSITIVE RETURN STRUCTURE AND CLEARANCES



PART LIST

Particular number	Description	Material	Quantity
1	Cam Slider	GGG-60	1
2	Cam Driver	GGG-60	1
3	Cam Base	GGG-60	1
4	Male "V" Driver	CK45	1
5	Side Plate R	CK45	1
6	Side Plate L	CK45	1
7	Stopper Plate	CK45	1
8	Spring Guide Block	CK45	1
9	Key	CK45	2
10	Key	CK45	8
11	Gas Spring Stopper Plate	CK45	1
12	Positive Return	42CrMo4 Nitrided	2
13	Positive Return	CK45	2
14	Wear Plate VDI 3357	CuZn25Al5 + Graphite - HB > 190	1
15	Wear Plate VDI 3357	CuZn25Al5 + Graphite - HB > 190	2
16	Wear Plate VDI 3357	CuZn25Al5 + Graphite - HB > 190	2
17	Wear Plate VDI 3357	CuZn25Al5 + Graphite - HB > 190	2
18	Wear Plate VDI 3357	CuZn25Al5 + Graphite - HB > 190	2
19	Elastomer Cap	Elastomer 92SH	3
20	Gas Spring	-	2
21	Cam Driver Fixing Screws M16x55 DIN 912	-	4
22	Cam Base Fixing Screws M16x80 DIN 912	-	4

AERIAL CAM UNIT - OBEN HÄNGENDER SCHIEBER - UNITÀ A CAMME SOSPESA



P.605

OMCR CODE	Work Angle β	Max Stroke (mm) S	Max Work Force with shoulder (kN) F_s	Extraction Force (kN)
				E_f Gas Spring
CHY300.00	0°	38,57	389	15,58
CHY300.05	5°	42,59	389	15,58
CHY300.10	10°	46,67	389	15,58
CHY300.15	15°	50,88	389	15,58
CHY300.20	20°	55,30	389	15,58
CHY300.25	25°	60	389	15,58
CHY300.30	30°	65,10	389	15,58
CHY300.35	35°	70,75	389	15,58
CHY300.40	40°	77,13	389	15,58
CHY300.45	45°	84,53	389	15,58
CHY300.50	50°	93,34	389	15,58
CHY300.55	55°	104,61	389	13,90
CHY300.60	60°	120	389	12,12
CHY300.65	65°	94,65	389	9,38
CHY300.70	70°	73,10	389	6,87
CHY300.75	75°	96,59	389	5,20

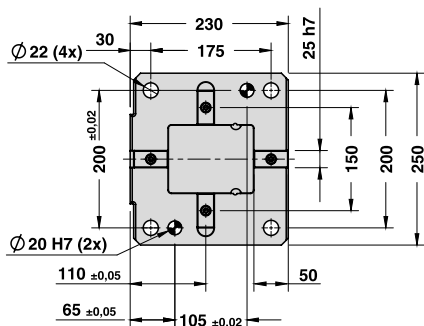
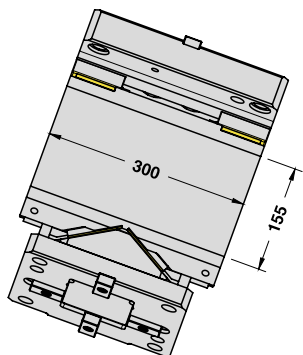


Art.	Work Angle = 5°
CHY300	05

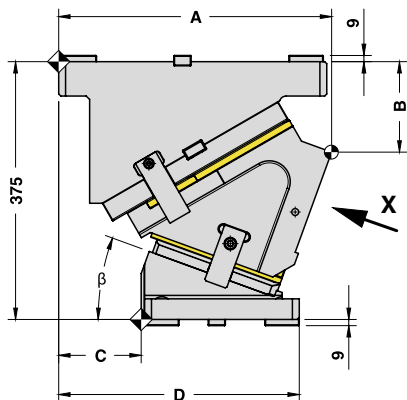
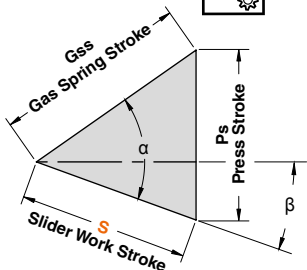
OMCR CODE	Work Angle β	Overall Dimensions (mm)						
		A	B	C	D	E	F	G
CHY300.00	0°	395	98	163	393	340	390	330
CHY300.05	5°	387,15	104,19	155	385	340	390	330
CHY300.10	10°	394,13	111,86	145	375	340	390	330
CHY300.15	15°	395,82	121,01	135	365	340	390	330
CHY300.20	20°	397,08	131,59	120	350	340	390	330
CHY300.25	25°	404,71	138,65	110	340	350	400	340
CHY300.30	30°	408,22	146,89	85	315	350	400	340
CHY300.35	35°	404,52	159,17	70	300	350	400	340
CHY300.40	40°	400,46	167,30	55	285	350	400	340
CHY300.45	45°	394,84	179,24	40	270	350	400	340
CHY300.50	50°	393,35	196,04	17	247	360	410	350
CHY300.55	55°	393,35	222,75	0	230	360	410	350
CHY300.60	60°	393,35	249,61	-10	220	360	410	350
CHY300.65	65°	387,48	266,49	-28	202	360	410	350
CHY300.70	70°	378,65	281,99	-45	185	360	410	350
CHY300.75	75°	364,72	296,88	-65	165	360	410	350

AERIAL CAM UNIT - OBEN HÄNGENDER SCHIEBER - UNITÀ A CAMME SOSPESA

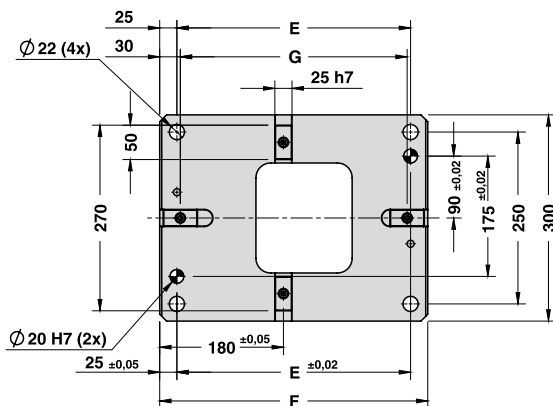
X VIEW



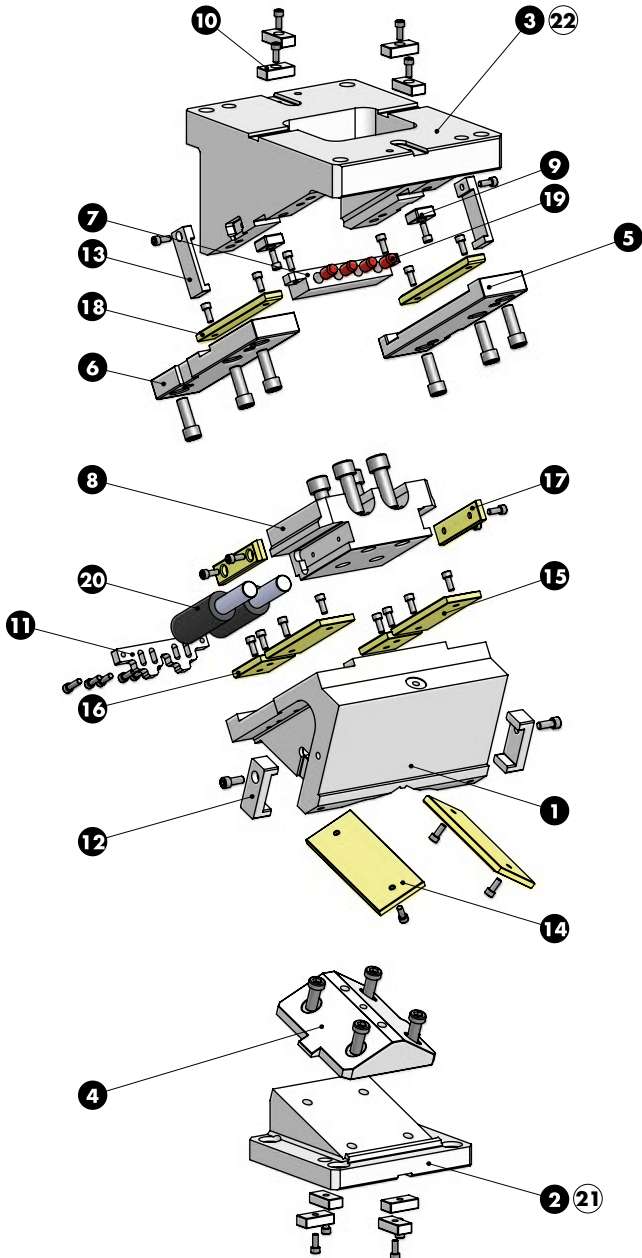
CAM DIAGRAM



Work Angle	Inner Angle	Slider Work Stroke (mm)	Press Stroke (mm)	Gas Spring Stroke (mm)
β	α	S	Ps	Gss
0°	50°	38,57	45,96	60
5°	50	42,59	46,14	60
10°	50°	46,67	46,67	60
15°	50	50,88	47,58	60
20°	50°	55,30	48,91	60
25°	50	60,00	50,71	60
30°	50°	65,10	53,07	60
35°	50	70,75	56,11	60
40°	50°	77,13	60,00	60
45°	50°	84,53	65,00	60
50°	50°	93,34	71,51	60
55°	55°	104,61	85,69	60
60°	60°	120,00	103,92	60
65°	65°	94,65	85,78	40
70°	70°	73,10	68,69	25
75°	75°	96,59	93,30	25

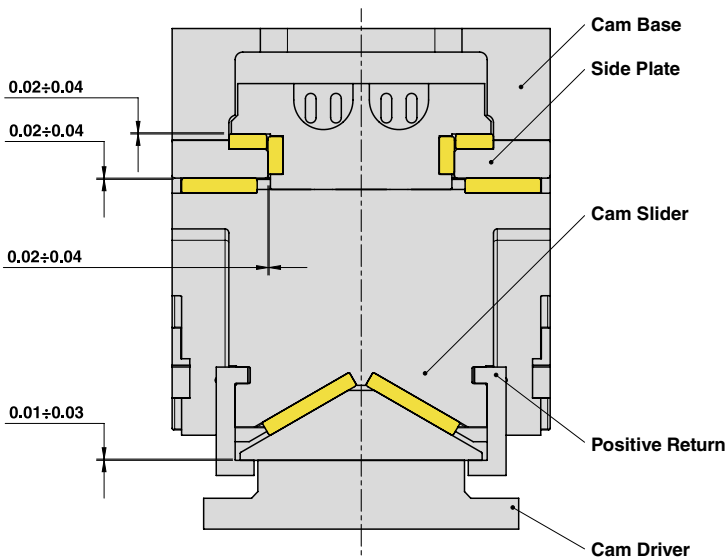


AERIAL CAM UNIT - OBEN HÄNGENDER SCHIEBER - UNITÀ A CAMME SOSPESA



AERIAL CAM UNIT - OBEN HÄNGENDER SCHIEBER - UNITÀ A CAMME SOSPESA

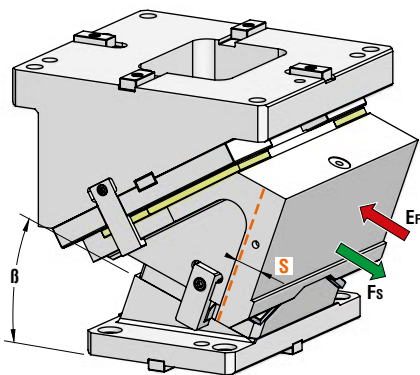
SLIDER STRUCTURE, POSITIVE RETURN STRUCTURE AND CLEARANCES



PART LIST

Particular number	Description	Material	Quantity
1	Cam Slider	GGG-60	1
2	Cam Driver	GGG-60	1
3	Cam Base	GGG-60	1
4	Male "V" Driver	CK45	1
5	Side Plate R	CK45	1
6	Side Plate L	CK45	1
7	Stopper Plate	CK45	1
8	Spring Guide Block	CK45	1
9	Key	CK45	2
10	Key	CK45	8
11	Spring Stopper Plate	CK45	1
12	Positive Return	42CrMo4 Nitrided	2
13	Positive Return	CK45	2
14	Wear Plate VDI 3357	CuZn25Al5 + Graphite - HB > 190	2
15	Wear Plate VDI 3357	CuZn25Al5 + Graphite - HB > 190	2
16	Wear Plate VDI 3357	CuZn25Al5 + Graphite - HB > 190	2
17	Wear Plate VDI 3357	CuZn25Al5 + Graphite - HB > 190	2
18	Wear Plate VDI 3357	CuZn25Al5 + Graphite - HB > 190	2
19	Elastomer Cap	Elastomer 92SH	4
20	Gas Spring	-	2
21	Cam Driver Fixing Screws M20x65 DIN 912	-	4
22	Cam Base Fixing Screws M20x80 DIN 912	-	4

AERIAL CAM UNIT - OBEN HÄNGENDER SCHIEBER - UNITÀ A CAMME SOSPESA



OMCR CODE	Work Angle β	Max Stroke (mm) S	Max Work Force with shoulder (kN) F_s	Extraction Force (kN)
				E_f Gas Spring
CHY350.00	0°	38,57	428	29,31
CHY350.05	5°	42,59	428	29,31
CHY350.10	10°	46,67	428	29,31
CHY350.15	15°	50,88	428	29,31
CHY350.20	20°	55,30	428	29,31
CHY350.25	25°	60	428	29,31
CHY350.30	30°	65,10	428	29,31
CHY350.35	35°	70,75	428	29,31
CHY350.40	40°	77,13	428	29,31
CHY350.45	45°	84,53	428	29,31
CHY350.50	50°	93,34	428	29,31
CHY350.55	55°	87,17	428	24,49
CHY350.60	60°	90	428	21,99
CHY350.65	65°	94,65	428	17,53
CHY350.70	70°	87,71	428	13,90
CHY350.75	75°	96,59	428	9,80

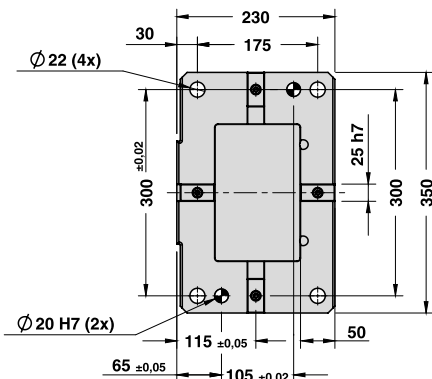
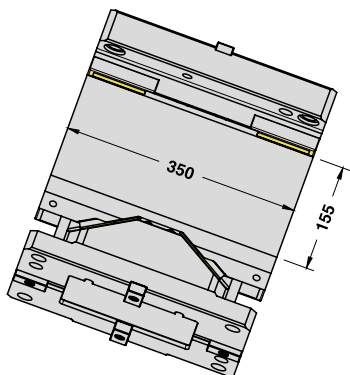


Art.	Work Angle = 5°
CHY350	05

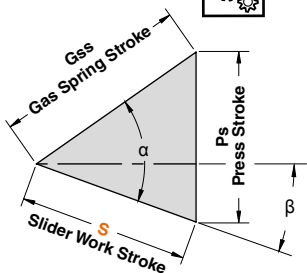
OMCR CODE	Work Angle β	Overall Dimensions (mm)						
		A	B	C	D	E	F	G
CHY350.00	0°	395	85	160	390	340	390	330
CHY350.05	5°	409,62	95,02	155	385	340	390	330
CHY350.10	10°	414,52	104,67	140	370	340	390	330
CHY350.15	15°	408,60	113,76	115	345	340	390	330
CHY350.20	20°	422,92	122,21	110	340	360	410	350
CHY350.25	25°	421,53	129,96	90	320	360	410	350
CHY350.30	30°	418,50	136,94	70	300	360	410	350
CHY350.35	35°	415,89	153,12	50	280	360	410	350
CHY350.40	40°	410,78	168,43	30	260	360	410	350
CHY350.45	45°	405,25	182,84	10	240	360	410	350
CHY350.50	50°	397,37	201,32	-10	220	360	410	350
CHY350.55	55°	398,61	214,69	-20	210	360	410	350
CHY350.60	60°	392,76	235,67	-35	195	360	410	350
CHY350.65	65°	398,83	255,31	-40	190	360	410	350
CHY350.70	70°	394,78	274,53	-50	180	360	410	350
CHY350.75	75°	394,55	295,21	-55	175	360	410	350

AERIAL CAM UNIT - OBEN HÄNGENDER SCHIEBER - UNITÀ A CAMME SOSPESA

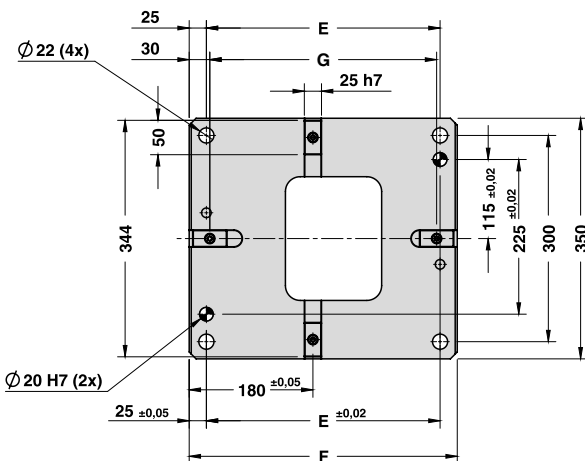
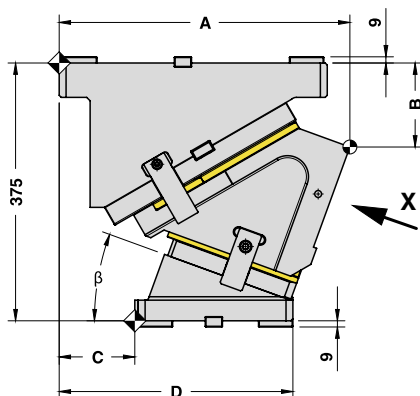
X VIEW



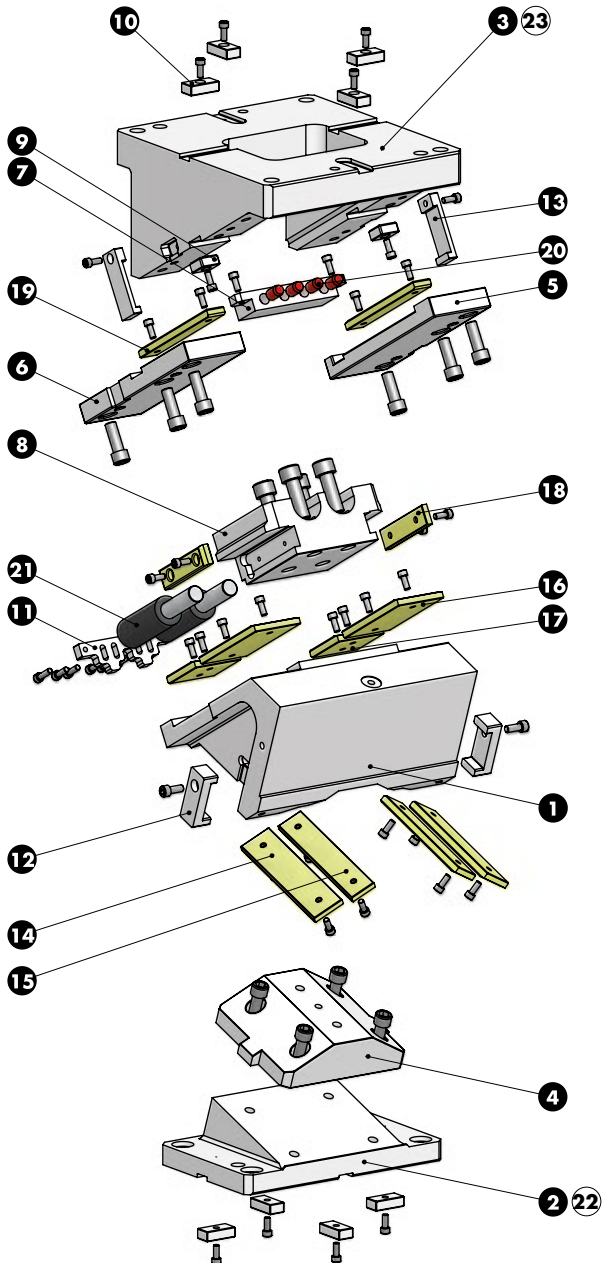
CAM DIAGRAM



Work Angle	Inner Angle	Slider Work Stroke (mm)	Press Stroke (mm)	Gas Spring Stroke (mm)
β	α	S	Ps	Gss
0°	50°	38,57	45,96	60
5°	50	42,59	46,14	60
10°	50°	46,67	46,67	60
15°	50	50,88	47,58	60
20°	50°	55,30	48,91	60
25°	50	60,00	50,71	60
30°	50°	65,10	53,07	60
35°	50	70,75	56,11	60
40°	50°	77,13	60,00	60
45°	50°	84,53	65,00	60
50°	50°	93,34	71,51	60
55°	55°	87,17	71,41	50
60°	60°	90,00	77,94	45
65°	65°	94,65	85,78	40
70°	70°	87,71	82,42	30
75°	75°	96,59	93,30	25

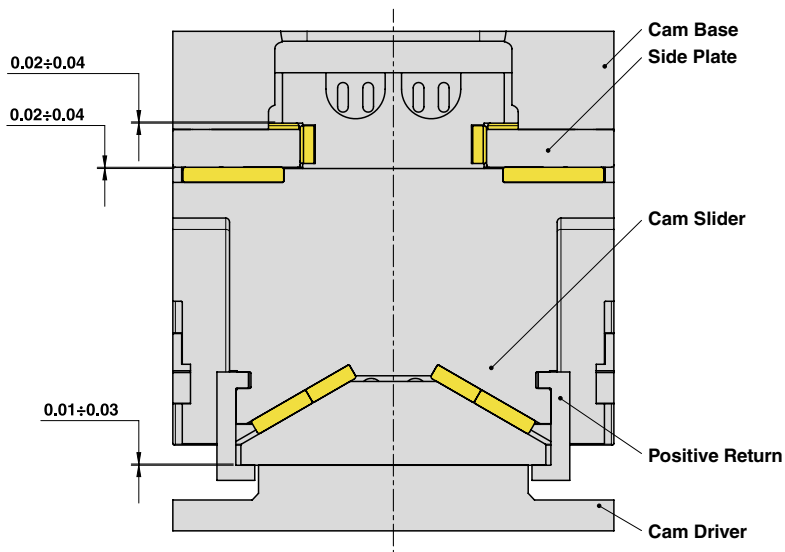


AERIAL CAM UNIT - OBEN HÄNGENDER SCHIEBER - UNITÀ A CAMME SOSPESA



AERIAL CAM UNIT - OBEN HÄNGENDER SCHIEBER - UNITÀ A CAMME SOSPESA

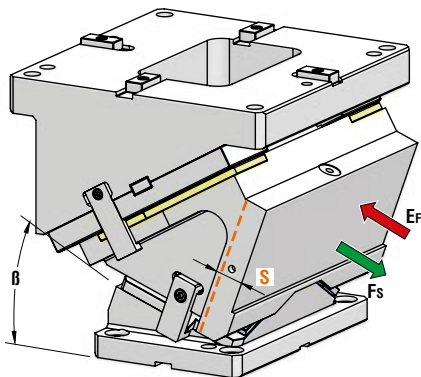
SLIDER STRUCTURE, POSITIVE RETURN STRUCTURE AND CLEARANCES



PART LIST

Particular number	Description	Material	Quantity
1	Cam Slider	GGG-60	1
2	Cam Driver	GGG-60	1
3	Cam Base	GGG-60	1
4	Male "V" Driver	CK45	1
5	Side Plate R	CK45	1
6	Side Plate L	CK45	1
7	Stopper Plate	CK45	1
8	Spring Guide Block	CK45	1
9	Key	CK45	2
10	Key	CK45	8
11	Spring Stopper Plate	CK45	1
12	Positive Return	42CrMo4 Nitrided	2
13	Positive Return	CK45	2
14	Wear Plate VDI 3357	CuZn25Al5 + Graphite - HB > 190	2
15	Wear Plate VDI 3357	CuZn25Al5 + Graphite - HB > 190	2
16	Wear Plate VDI 3357	CuZn25Al5 + Graphite - HB > 190	2
17	Wear Plate VDI 3357	CuZn25Al5 + Graphite - HB > 190	2
18	Wear Plate VDI 3357	CuZn25Al5 + Graphite - HB > 190	2
19	Wear Plate VDI 3357	CuZn25Al5 + Graphite - HB > 190	2
20	Elastomer Cap	Elastomer 92SH	4
21	Gas Spring	-	2
22	Cam Driver Fixing Screws M20x65 DIN 912	-	4
23	Cam Base Fixing Screws M20x80 DIN 912	-	4

AERIAL CAM UNIT - OBEN HÄNGENDER SCHIEBER - UNITÀ A CAMME SOSPESA



P.605

OMCR CODE	Work Angle	Max Stroke (mm)	Max Work Force with shoulder (kN)	Extraction Force (kN)
	β	S	Fs	Ef
CHY400.00	0°	38,57	473	23,37
CHY400.05	5°	42,59	473	23,37
CHY400.10	10°	46,67	473	23,37
CHY400.15	15°	50,88	473	23,37
CHY400.20	20°	55,30	473	23,37
CHY400.25	25°	60	473	23,37
CHY400.30	30°	65,10	473	23,37
CHY400.35	35°	70,75	473	23,37
CHY400.40	40°	77,13	473	23,37
CHY400.45	45°	84,53	473	23,37
CHY400.50	50°	93,34	473	23,37
CHY400.55	55°	104,61	473	20,86
CHY400.60	60°	120	473	18,18
CHY400.65	65°	94,65	473	14,07
CHY400.70	70°	73,10	473	10,30
CHY400.75	75°	96,59	473	7,79

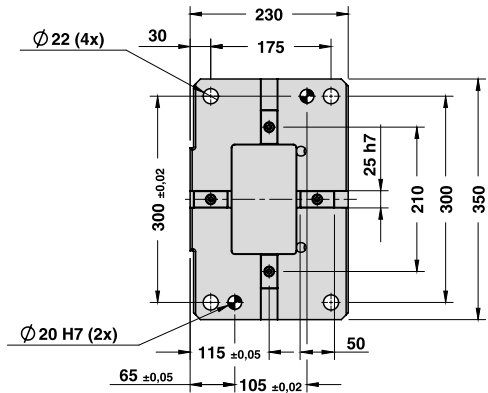
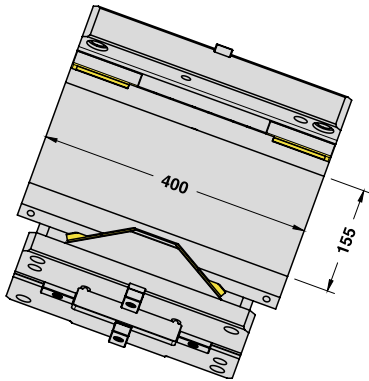


Art.	Work Angle = 5°
CHY400	05

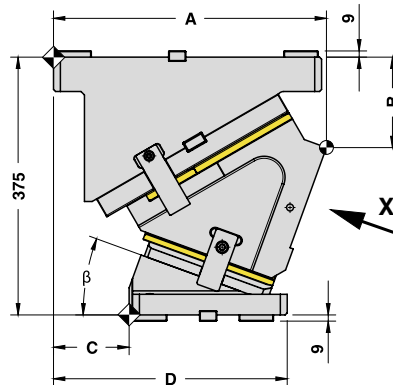
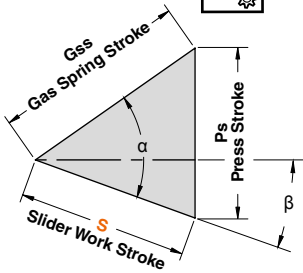
OMCR CODE	Work Angle	Overall Dimensions (mm)						
		β	A	B	C	D	E	F
CHY400.00	0°	395	88	158	388	340	390	330
CHY400.05	5°	387,16	94,19	155	385	340	390	330
CHY400.10	10°	394,13	106,86	145	375	340	390	330
CHY400.15	15°	395,82	118,01	135	365	340	390	330
CHY400.20	20°	397,08	131,59	100	330	350	400	340
CHY400.25	25°	404,71	138,65	85	315	350	400	340
CHY400.30	30°	408,22	146,89	65	295	350	400	340
CHY400.35	35°	404,52	159,17	50	280	350	400	340
CHY400.40	40°	400,46	167,30	40	270	350	400	340
CHY400.45	45°	394,84	179,24	20	250	350	400	340
CHY400.50	50°	393,35	196,04	2	232	360	410	350
CHY400.55	55°	392,76	221,83	-13	217	360	410	350
CHY400.60	60°	393,35	249,61	-30	200	360	410	350
CHY400.65	65°	387,48	266,49	-48	182	360	410	350
CHY400.70	70°	378,65	281,99	-65	165	360	410	350
CHY400.75	75°	364,72	296,88	-85	145	360	410	350

AERIAL CAM UNIT - OBEN HÄNGENDER SCHIEBER - UNITÀ A CAMME SOSPESA

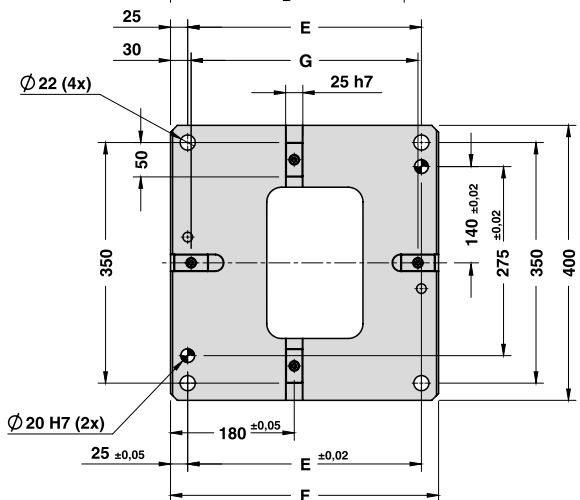
X VIEW



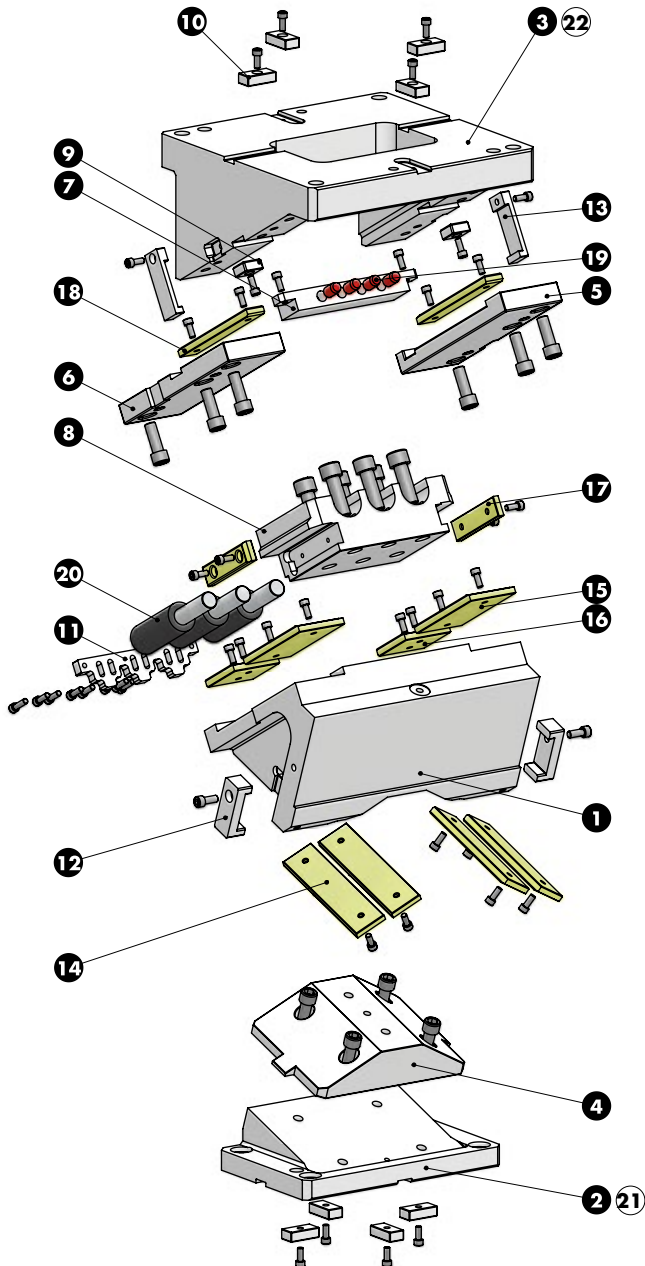
CAM DIAGRAM



Work Angle	Inner Angle	Slider Work Stroke (mm)	Press Stroke (mm)	Gas Spring Stroke (mm)
β	α	S	Ps	Gss
0°	50°	38,57	45,96	60
5°	50°	42,59	46,14	60
10°	50°	46,67	46,67	60
15°	50°	50,88	47,58	60
20°	50°	55,30	48,91	60
25°	50°	60,00	50,71	60
30°	50°	65,10	53,07	60
35°	50°	70,75	56,11	60
40°	50°	77,13	60,00	60
45°	50°	84,53	65,00	60
50°	50°	93,34	71,51	60
55°	55°	104,61	85,69	60
60°	60°	120,00	103,92	60
65°	65°	94,65	85,78	40
70°	70°	73,10	68,69	25
75°	75°	96,59	93,30	25

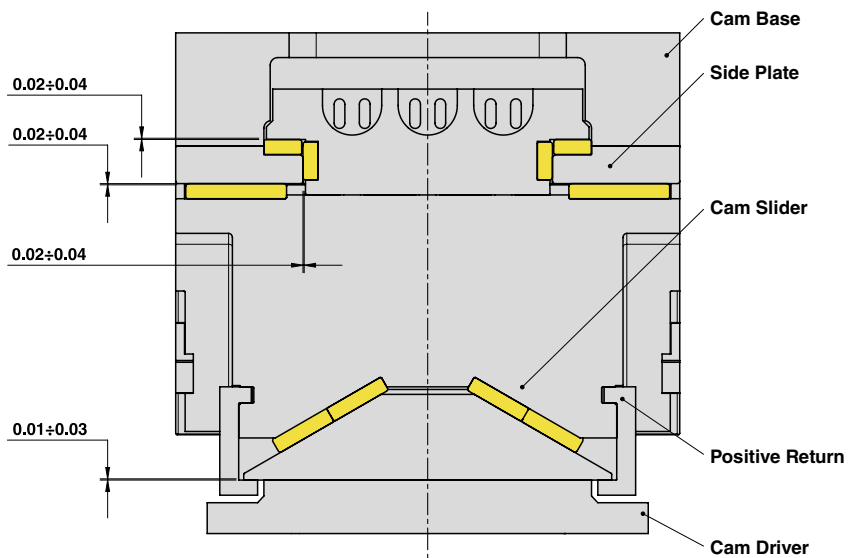


AERIAL CAM UNIT - OBEN HÄNGENDER SCHIEBER - UNITÀ A CAMME SOSPESA



AERIAL CAM UNIT - OBEN HÄNGENDER SCHIEBER - UNITÀ A CAMME SOSPESA

SLIDER STRUCTURE, POSITIVE RETURN STRUCTURE AND CLEARANCES



PART LIST

Particular number	Description	Material	Quantity
1	Cam Slider	GGG-60	1
2	Cam Driver	GGG-60	1
3	Cam Base	GGG-60	1
4	Male "V" Driver	CK45	1
5	Side Plate R	CK45	1
6	Side Plate L	CK45	1
7	Stopper Plate	CK45	1
8	Spring Guide Block	CK45	1
9	Key	CK45	2
10	Key	CK45	8
11	Spring Stopper Plate	CK45	1
12	Positive Return	42CrMo4 Nitrided	2
13	Positive Return	CK45	2
14	Wear Plate VDI 3357	CuZn25Al5 + Graphite - HB > 190	4
15	Wear Plate VDI 3357	CuZn25Al5 + Graphite - HB > 190	2
16	Wear Plate VDI 3357	CuZn25Al5 + Graphite - HB > 190	2
17	Wear Plate VDI 3357	CuZn25Al5 + Graphite - HB > 190	2
18	Wear Plate VDI 3357	CuZn25Al5 + Graphite - HB > 190	2
19	Elastomer Cap	Elastomer 92SH	4
20	Gas Spring	-	3
21	Cam Driver Fixing Screws M20x65 DIN 912	-	4
22	Cam Base Fixing Screws M20x80 DIN 912	-	4