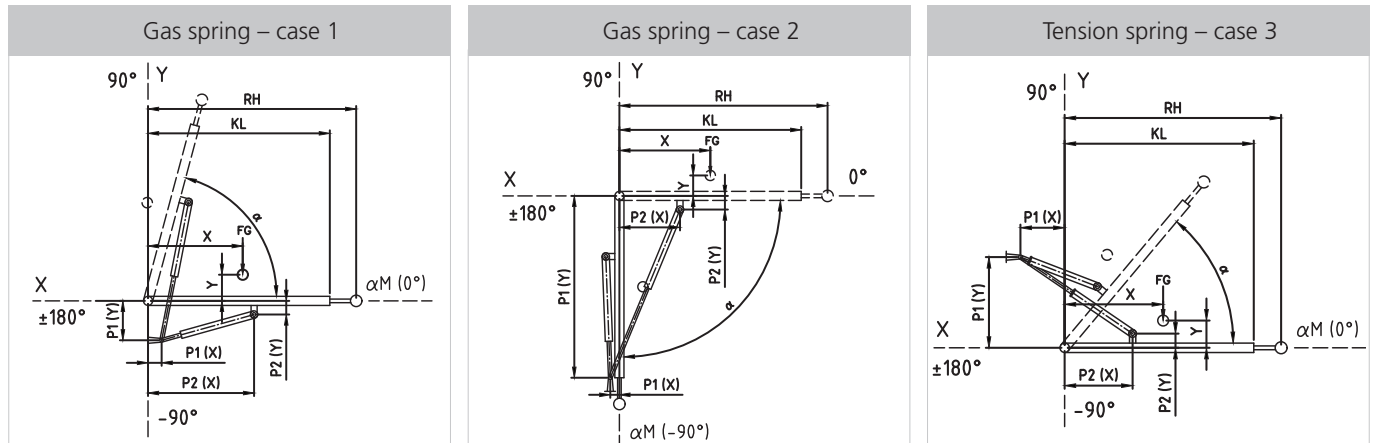


Assembly recommendation: Gas spring

Use the competence and experience of our specialists. Please choose the appropriate installation case and include a drawing or sketch when possible. Then you will receive a non-binding offer including an installation proposal.

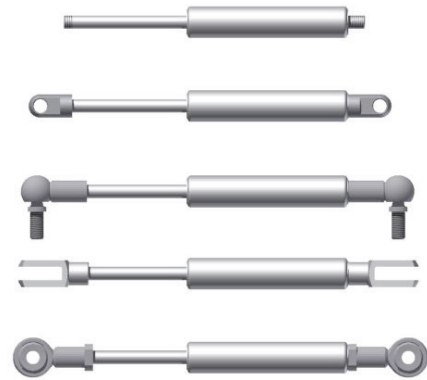
Please fill out all fields marked with *.



Required details

Moved mass * FG kg
 Center of gravity * X mm
 Y mm
 Desired hand force N
 Starting angle * αM °
 Opened angle * α °
 Length of the hatch * KL mm
 Thickness of the hatch * KS mm
 Radius handforce RH mm
 Number of gas springs per hatch * n pcs.

End fittings *



Operation area *
 Gas Spring Material * Steel 304 SS 316 SS

Gas spring fixing points

If the attachment points of the gas spring are known or fixed, please enter the values under „Fixed point / Moving point“.

If the assembly space for the gas spring is limited, please fill in the values of the “Possible space”.

Distance values

Fixed point P1 X mm Y mm
 Possible space $\pm X$ mm $\pm Y$ mm
Fixed point P2 X mm Y mm
 Possible space $\pm X$ mm $\pm Y$ mm

Contact details

Name *
 Company *
 Address *
 ZIP / City *
 Country
 Telephone *
 Fax
 E-Mail *
 Amount of springs
 Order number

[Print Inquiry](#)

[Send Inquiry](#)