

# Jaw Couplings SPRFLEX



High flexibility



High damping

Max. nominal torque [N·m]	50
Pilot bore/added work ranges [mm]	φ 4 ~ 48
Operating temperature [°C]	- 20 ~ 80
Backlash	Yes
Driver	Induction motor
Application	Pumps, fans, textile machinery

## Jaw Couplings that Use Rubber as Buffer Material

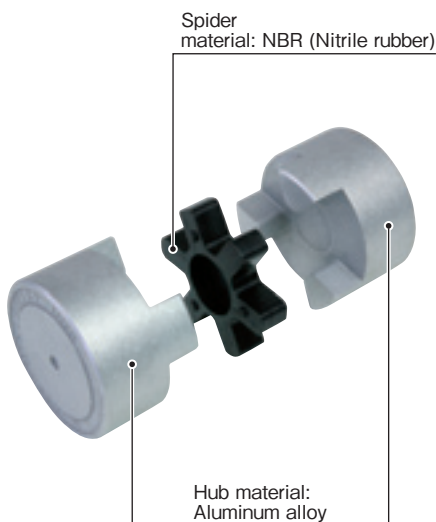


These jaw couplings have simpler designs that sandwich a buffer material (spider) between two hubs. The hub is lightweight, being made of aluminum alloy. Input and output can be coupled or separated easily by simply moving the coupling in the axial.

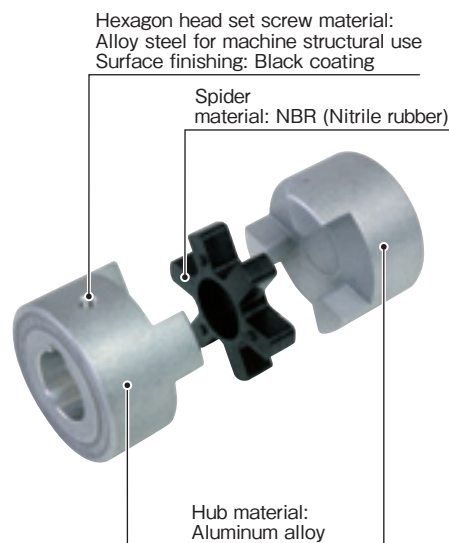


### Structure and Materials

#### ■ Pilot bore



#### ■ Key/set screw types



#### ■ Spider (rubber buffer)



# AL Models

COUPLINGS

ETP BUSHINGS

ELECTROMAGNETIC CLUTCHES & BRAKES

SPEED CHANGERS & REDUCERS

INVERTERS

LINEAR SHAFT DRIVES

TORQUE LIMITERS

ROSTA

SERIES

- Metal Disc Couplings **SERVOFLEX**
- High-rigidity Couplings **SERVORIGID**
- Metal Slit Couplings **HELI-CAL**
- Metal Coil Spring Couplings **BAUMANNFLEX**
- Pin Bushing Couplings **PARAFLEX**
- Link Couplings **SCHMIDT**
- Dual Rubber Couplings **STEPFLEX**
- Jaw Couplings **MIKI PULLEY STARFLEX**
- Jaw Couplings **SPRFLEX**
- Plastic Bellows Couplings **BELLOWFLEX**
- Rubber and Plastic Couplings **CENTAFLEX**

MODELS

AL

## Specifications

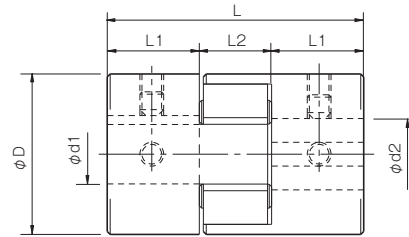
Model	Torque		Misalignment			Max. rotation speed [min <sup>-1</sup> ]	Moment of inertia [kg·m <sup>2</sup> ]	Mass [kg]
	Nominal [N·m]	Max. [N·m]	Parallel [mm]	Angular [°]	Axial [mm]			
AL-035	0.5	1.5	0.1	0.5	+0.3	18000	0.38 × 10 <sup>-6</sup>	0.01
AL-050	1.5	4.5	0.2	1.0	±0.5	12000	5.10 × 10 <sup>-6</sup>	0.06
AL-070	3	9	0.2	1.0	±0.5	9000	1.79 × 10 <sup>-5</sup>	0.12
AL-075	5	15	0.2	1.0	±0.5	7000	5.36 × 10 <sup>-5</sup>	0.21
AL-090	8	24	0.3	1.0	±0.5	6000	1.15 × 10 <sup>-4</sup>	0.31
AL-095	10	30	0.3	1.0	±0.5	6000	1.40 × 10 <sup>-4</sup>	0.36
AL-100	25	75	0.3	1.0	±0.7	5000	4.34 × 10 <sup>-4</sup>	0.78
AL-110	50	150	0.3	1.0	±0.7	4000	1.43 × 10 <sup>-3</sup>	1.56

\* Max. rotation speed does not take into account dynamic balance or mounting misalignment.  
 \* The moment of inertia and mass are measured for the pilot bore.

## Dimensions (Couplings)

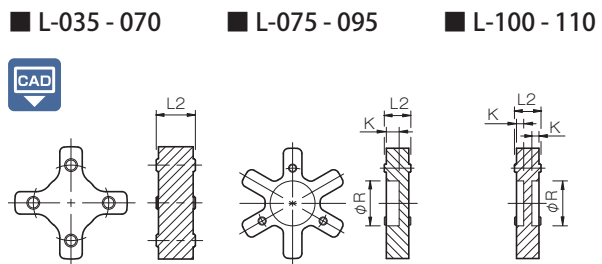
Model	d1 · d2			D	L	L1	L2
	Pilot bore	Min.	Max.				
AL-035	4	4	8	16.1	20.5	6.5	7.5*1
AL-050	5	6	16	27	43.2	15.5	12.2
AL-070	5	6	20	35	49.2	18.5	12.2
AL-075	5	7	26	45	54.4	21.0	12.4
AL-090	5	9	28	54	55.0	21.0	13.0
AL-095	5	9	28	55	61.0	24.0	13.0
AL-100	5	11	36	66	88.0	35.0	18.0
AL-110	5	11	48	85	110.0	44.0	22.0

\* "Pilot bore" refers to center processing. Minimums and maximums for d1 and d2 are values at the MIKI PULLEY standard hole-drilling standards.  
 \* The value marked \*1 leaves a 1 mm space for the thickness of the spider body.



## Dimensions (Spider)

Couplings model	Spider model	L2	R	K
AL-035	L-035	6.5	—	—
AL-050	L-050	12.2	—	—
AL-070	L-070	12.2	—	—
AL-075	L-075	12.4	20	6.0
AL-090	L-090/095	13.0	22	6.3
AL-095	L-090/095	13.0	22	6.3
AL-100	L-100	18.0	26	6.0
AL-110	L-110	22.0	30	6.0



## How to Place an Order

### Pilot Bore

AL-050

Size

### Key/Set Screw Types

AL-050 12H-14N

Size

Bore diameter: d1 (Small diameter) - d2 (Large diameter)  
 Bore specifications  
 Blank: Compliant with the old JIS standards (class 2)  
 H: Compliant with the new JIS standards  
 N: Compliant with the new motor standards

### Spiders

Spider L-075

Size

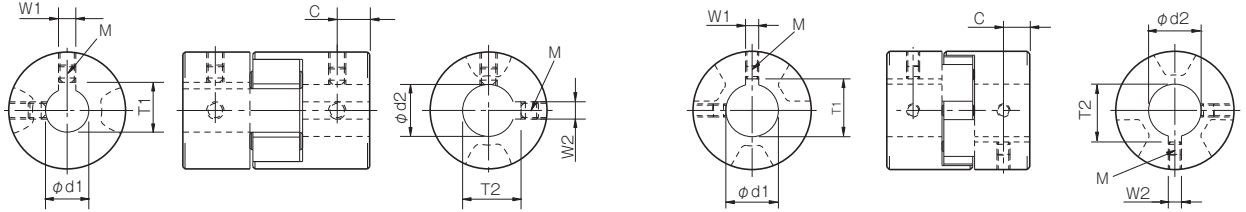
# AL Models

## Standard Hole-Drilling Standards

- Set screw and keyway positions are not on the same plane. Positioning precision for keyway milling is determined by sight, so contact Miki Pulley when the keyway requires a positioning precision for a particular hub.
- The set screws are included with the product.

### AL-035 to 070

### AL-075 to 110



Unit [mm]

Nominal bore diameter	Models compliant with the old JIS standards (class 2)				Models compliant with the new JIS standards				Models compliant with the new motor standards						
	Tolerance	Bore diameter [d1 · d2]	Keyway width [W1 · W2]	Keyway height [T1 · T2]	Set screw hole [M]	Tolerance	Bore diameter [d1 · d2]	Keyway width [W1 · W2]	Keyway height [T1 · T2]	Set screw hole [M]	Tolerance	Bore diameter [d1 · d2]	Keyway width [W1 · W2]	Keyway height [T1 · T2]	Set screw hole [M]
6	$6^{+0.018}_0$	—	—	—	2-M4	—	—	—	—	—	—	—	—	—	—
7	$7^{+0.022}_0$	—	—	—	2-M4	—	—	—	—	—	—	—	—	—	—
8	$8^{+0.022}_0$	—	—	—	2-M4	—	—	—	—	—	—	—	—	—	—
9	$9^{+0.022}_0$	—	—	—	2-M4	—	—	—	—	—	—	—	—	—	—
10	$10^{+0.022}_0$	—	—	—	2-M4	—	—	—	—	—	—	—	—	—	—
11	$11^{+0.018}_0$	—	—	—	2-M4	—	—	—	—	—	—	—	—	—	—
12	$12^{+0.018}_0$	4 $^{+0.050}_{+0.020}$	13.5	2-M4	12H	$12^{+0.018}_0$	4 $^{+0.030}_0$	13.8	2-M4	—	—	—	—	—	—
14	$14^{+0.018}_0$	5 $^{+0.050}_{+0.020}$	16.0	2-M4	14H	$14^{+0.018}_0$	5 $^{+0.030}_0$	16.3	2-M4	14N	$14^{+0.024}_{+0.006}$	5 $^{+0.030}_0$	16.3	2-M4	—
15	$15^{+0.018}_0$	5 $^{+0.050}_{+0.020}$	17.0	2-M4	15H	$15^{+0.018}_0$	5 $^{+0.030}_0$	17.3	2-M4	—	—	—	—	—	—
16	$16^{+0.018}_0$	5 $^{+0.050}_{+0.020}$	18.0	2-M4	16H	$16^{+0.018}_0$	5 $^{+0.030}_0$	18.3	2-M4	—	—	—	—	—	—
17	$17^{+0.018}_0$	5 $^{+0.050}_{+0.020}$	19.0	2-M4	17H	$17^{+0.018}_0$	5 $^{+0.030}_0$	19.3	2-M4	—	—	—	—	—	—
18	$18^{+0.018}_0$	5 $^{+0.050}_{+0.020}$	20.0	2-M4	18H	$18^{+0.018}_0$	6 $^{+0.030}_0$	20.8	2-M5	—	—	—	—	—	—
19	$19^{+0.021}_0$	5 $^{+0.050}_{+0.020}$	21.0	2-M4	19H	$19^{+0.021}_0$	6 $^{+0.030}_0$	21.8	2-M5	19N	$19^{+0.028}_{+0.007}$	6 $^{+0.030}_0$	21.8	2-M5	—
20	$20^{+0.021}_0$	5 $^{+0.050}_{+0.020}$	22.0	2-M4	20H	$20^{+0.021}_0$	6 $^{+0.030}_0$	22.8	2-M5	—	—	—	—	—	—
22	$22^{+0.021}_0$	7 $^{+0.061}_{+0.025}$	25.0	2-M6	22H	$22^{+0.021}_0$	6 $^{+0.030}_0$	24.8	2-M5	—	—	—	—	—	—
24	$24^{+0.021}_0$	7 $^{+0.061}_{+0.025}$	27.0	2-M6	24H	$24^{+0.021}_0$	8 $^{+0.036}_0$	27.3	2-M6	24N	$24^{+0.028}_{+0.007}$	8 $^{+0.036}_0$	27.3	2-M6	—
25	$25^{+0.021}_0$	7 $^{+0.061}_{+0.025}$	28.0	2-M6	25H	$25^{+0.021}_0$	8 $^{+0.036}_0$	28.3	2-M6	—	—	—	—	—	—
28	$28^{+0.021}_0$	7 $^{+0.061}_{+0.025}$	31.0	2-M6	28H	$28^{+0.021}_0$	8 $^{+0.036}_0$	31.3	2-M6	28N	$28^{+0.028}_{+0.007}$	8 $^{+0.036}_0$	31.3	2-M6	—
30	$30^{+0.021}_0$	7 $^{+0.061}_{+0.025}$	33.0	2-M6	30H	$30^{+0.021}_0$	8 $^{+0.036}_0$	33.3	2-M6	—	—	—	—	—	—
32	$32^{+0.025}_0$	10 $^{+0.061}_{+0.025}$	35.5	2-M8	32H	$32^{+0.025}_0$	10 $^{+0.036}_0$	35.3	2-M8	—	—	—	—	—	—
35	$35^{+0.025}_0$	10 $^{+0.061}_{+0.025}$	38.5	2-M8	35H	$35^{+0.025}_0$	10 $^{+0.036}_0$	38.3	2-M8	—	—	—	—	—	—
38	$38^{+0.025}_0$	10 $^{+0.061}_{+0.025}$	41.5	2-M8	38H	$38^{+0.025}_0$	10 $^{+0.036}_0$	41.3	2-M8	38N	$38^{+0.050}_{+0.025}$	10 $^{+0.036}_0$	41.3	2-M8	—
40	$40^{+0.025}_0$	10 $^{+0.061}_{+0.025}$	43.5	2-M8	40H	$40^{+0.025}_0$	12 $^{+0.043}_0$	43.3	2-M8	—	—	—	—	—	—
42	$42^{+0.025}_0$	12 $^{+0.075}_{+0.032}$	45.5	2-M8	42H	$42^{+0.025}_0$	12 $^{+0.043}_0$	45.3	2-M8	42N	$42^{+0.050}_{+0.025}$	12 $^{+0.043}_0$	45.3	2-M8	—
45	$45^{+0.025}_0$	12 $^{+0.075}_{+0.032}$	48.5	2-M8	45H	$45^{+0.025}_0$	14 $^{+0.043}_0$	48.8	2-M10	—	—	—	—	—	—
48	$48^{+0.025}_0$	12 $^{+0.075}_{+0.032}$	51.5	2-M8	48H	$48^{+0.025}_0$	14 $^{+0.043}_0$	51.8	2-M10	48N	$48^{+0.050}_{+0.025}$	14 $^{+0.043}_0$	51.8	2-M10	—

\* The  $\phi 11$  or below requirement under the new JIS standards and  $\phi 11$  requirement for the new motor standards are the same as the old JIS standards (class 2).

\* For AL-035, the tolerance is  $^{+0.05}_0$  regardless of bore diameter. The set screw size is M3.

## Distance from Set Screw Edge

Model	AL-035	AL-050	AL-070	AL-075	AL-090	AL-095	AL-100	AL-110
Distance from set screw edge C [mm]	3.5	7.5	9	10	12	12	12	15

COUPLINGS

ETP BUSHINGS

ELECTROMAGNETIC CLUTCHES & BRAKES

SPEED CHANGERS & REDUCERS

INVERTERS

LINEAR SHAFT DRIVES

TORQUE LIMITERS

ROSTA

SERIES

Metal Disc Couplings	SERVOFLEX
	High-rigidity Couplings
Metal Slit Couplings	SERVORIGID
	HELI-CAL
Metal Coil Spring Couplings	BAUMANNFLEX
	Pin Bushing Couplings
Metal Couplings	PARAFLEX
	Link Couplings
Rubber and Plastic Couplings	SCHMIDT
	Dual Rubber Couplings
Rubber and Plastic Couplings	STEPFLEX
	Jaw Couplings
Rubber and Plastic Couplings	MIKI PULLEY
	STARFLEX
Rubber and Plastic Couplings	Jaw Couplings
	SPRFLEX
Rubber and Plastic Couplings	Plastic Bellows Couplings
	BELLOWFLEX
Rubber and Plastic Couplings	Rubber and Plastic Couplings
	CENTAFLEX

MODELS

AL

Items Checked for Design Purposes

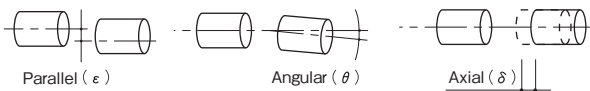
Special Items to Take Note of

You should note the following to prevent any problems.

- (1) Always be careful of parallel, angular, and axial misalignment.
- (2) Always tighten bolts with the specified torque.

Precautions for Handling

- (1) Couplings are designed for use within an operating temperature from -20°C to 80°C. Although SPRFLEX couplings are designed to be waterproof and oilproof, do not subject them to excessive amounts of water or oil as these may cause deterioration. Use and storage in direct sunlight may shorten coupling service life, so cover couplings appropriately.
- (2) To get full coupling performance, mount couplings so that differences between coupling centers during operation are within the misalignment shown in the specifications table. However, this misalignment is the maximum value when each occurs independently, so make the allowable value when they combine 50% or less of this value. Also, the maximum rotation speed does not take into account dynamic balance or mounting misalignment, so factor in the dynamic balance and mounting misalignment when using the couplings at or above 3600 min<sup>-1</sup>. Be particularly careful to mount the couplings so that the mounting misalignment at rotation speeds of 2000 min<sup>-1</sup> is no greater than 50% or the allowable value.



- (3) Spider service life is greatly affected by the precision of centering. We recommend matching of centering locations as the method for centering two shafts.
- (4) Remove any rust, dust, oil or the like from the inner diameter surfaces of the shaft and coupling.
- (5) The length of insertion of the shaft into the coupling should be the dimension L1 on the dimensions table.
- (6) Tighten set screws with hex socket heads to the tightening torques shown below using a calibrated torque screwdriver.

Size of hex-socket-head set screw	M3	M4	M5	M6	M8	M10
Tightening torque [N·m]	0.7	1.7	3.6	6.0	14.5	28.0

Selection Procedures

- (1) Find the torque, Ta, applied to the coupling using the output capacity, P, of the driver and the usage rotation speed, n.

$$T_a \text{ [N·m]} = 9550 \times \frac{P \text{ [kW]}}{n \text{ [min}^{-1}\text{]}}$$

- (2) Determine the service factor K from the usage and operating conditions, and find the corrected torque, Td, applied to the coupling.

$$T_d \text{ [N·m]} = T_a \times K1 \times K2 \times K3 \times K4$$

Service factor based on load property: K1

Load properties	Constant	Vibrations: Small	Vibrations: Medium	Vibrations: Large
K1	1.0	1.25	1.75	2.25

Service factor based on operating time: K2

Hrs./day	~ 8	~ 16	~ 24
K2	1.0	1.12	1.25

Service factor based on starting/braking frequency: K3

Times/hr.	~ 10	~ 30	~ 60	~ 120	~ 240	Over 240
K3	1.0	1.1	1.3	1.5	2.0	*

\* Items marked with asterisks require consultations.

Service factor based on operating temperature: K4

Temperature [°C]	- 20	0	+ 20	+ 40	+ 60	+ 80
K4	1.3	1.1	1.0	1.1	1.1	1.3

- (3) Set the size so that the nominal torque of the coupling, Tn, is at least equal to the corrected torque, Td.

$$T_n \geq T_d$$

- (4) Select a size that results in a maximum torque, Tm, for the coupling that is at least equal to the peak torque, Ts, generated by the motor, driven machine or both. Maximum torque refers to the maximum amount of torque that can be applied for a set amount of time considering eight hours of operation per day and up to around ten instances.

$$T_m \geq T_s \cdot K4$$

- (5) When the required shaft diameter exceeds the maximum bore diameter of the selected size, select a suitable coupling.

Induction Motor Specifications and Easy Selection Table

Motor	50 Hz: 3000 min <sup>-1</sup> , 60 Hz: 3600 min <sup>-1</sup>					50 Hz: 1500min <sup>-1</sup> , 60 Hz: 1800min <sup>-1</sup>				50 Hz: 1000min <sup>-1</sup> , 60 Hz: 1200min <sup>-1</sup>			
	Two-pole motor		SPRFLEX			Four-pole motor		SPRFLEX		Six-pole motor		SPRFLEX	
Output [kW]	Frequency [Hz]	Shaft diameter [mm]	Torque [N·m]	Model	Nominal bore diameter	Shaft diameter [mm]	Torque [N·m]	Model	Nominal bore diameter	Shaft diameter [mm]	Torque [N·m]	Model	Nominal bore diameter
0.1	50	—	—	—	—	11	0.7	AL-050	11	—	—	—	—
	60	—	—	—	—	11	0.5	AL-050	11	—	—	—	—
0.2	50	11	0.7	AL-050	11	11	1.3	AL-070	11	—	—	—	—
	60	11	0.5	AL-050	11	11	1.1	AL-070	11	—	—	—	—
0.4	50	14	1.3	AL-070	14N	14	2.6	AL-075	14N	19	3.9	AL-090	19N
	60	14	1.1	AL-070	14N	14	2.2	AL-075	14N	19	3.2	AL-090	19N
0.75	50	19	2.4	AL-075	19N	19	4.9	AL-095	19N	24	7.3	AL-100	24N
	60	19	2.0	AL-075	19N	19	4.1	AL-090	19N	24	6.1	AL-095	24N
1.5	50	24	4.9	AL-095	24N	24	9.7	AL-100	24N	28	15	AL-110	28N
	60	24	4.1	AL-095	24N	24	8.1	AL-100	24N	28	12	AL-100	28N
2.2	50	24	7.1	AL-100	24N	28	14	AL-110	28N	28	21	AL-110	28N
	60	24	6.0	AL-095	24N	28	12	AL-100	28N	28	18	AL-110	28N
3.7	50	28	12	AL-100	28N	28	24	AL-110	28N	38	36	—	38N
	60	28	10	AL-100	28N	28	20	AL-110	28N	38	30	AL-110	38N

\* The above table shows suitable sizes for ordinary use on an induction motor drive unit.  
 \* Motor rotation speed and output torque are calculated (reference) values.