

Rigid Couplings **STK**



High stiffness



High torque



No backlash

Max. rated torque [N·m]	1900
Bore ranges [mm]	φ 6 ~ 50
Operating temperature [°C]	-40 ~ 175
Drive	Servomotor, induction motor
Applications	Machine tool / semiconductor manufacturing equipment / printing press / packing machine

Rigid Couplings for High Torque and Zero Backlash



With exactly aligned shafts, an offset compensation is not necessary, here the rigid coupling or shell coupling is the right solution. This type of coupling is characterized by highest torques and particularly high torsional rigidity. Another plus is the ease of installation.

Structure and Materials

■ STK Sliced



■ STK Split



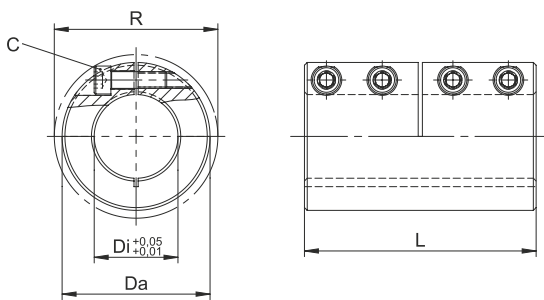
STK Models

Specifications

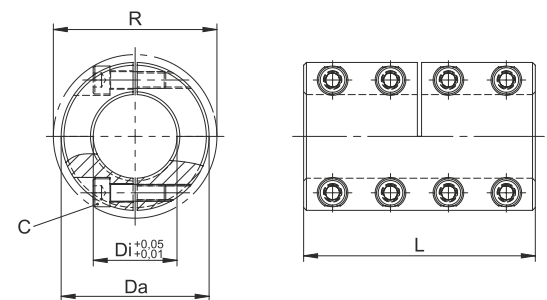
Model	Torque [N·m]		Tightening torque of screws [N·m]	
	Steel (ST)	Stainless steel (VA)	Steel (ST)	Stainless steel (VA)
STK-6	35	10	2.1	0.9
STK-8	50	14	2.1	0.9
STK-10	100	30	5.0	2.2
STK-12	110	30	5.0	2.2
STK-14	180	50	10.1	2.2
STK-15	190	50	10.1	2.2
STK-16	200	55	10.1	2.2
STK-17	220	60	10.1	4.5
STK-19	310	80	17.2	7.7
STK-20	330	100	17.2	7.7
STK-25	380	110	17.2	7.7
STK-30	450	140	17.2	7.7
STK-40	1200	350	42.0	18.7
STK-50	1900	580	83.4	37.1

Dimensions

STK Sliced



STK Split



Model	Di	Da	L	R	C Sliced (one-piece)	C Split (two-piece)
STK-6	6	18	30	20	4-M3	8-M3
STK-8	8	24	35	24.4	4-M3	8-M3
STK-10	10	29	45	30.9	4-M4	8-M4
STK-12	12	29	45	31.8	4-M4	8-M4
STK-14	14	34	50	38.6	4-M5	8-M5
STK-15	15	34	50	39	4-M5	8-M5
STK-16	16	34	50	39.4	4-M5	8-M5
STK-17	17	34	50	39.4	4-M5	8-M5
STK-19	19	42	65	46.6	4-M6	8-M6
STK-20	20	42	65	47.1	4-M6	8-M6
STK-25	25	45	75	50.6	4-M6	8-M6
STK-30	30	53	83	57.7	4-M6	8-M6
STK-40	40	77	108	77.4	4-M8	8-M8
STK-50	50	85	124	91.1	4-M10	8-M10

How to Place an Order



COUPLINGS

ELECTROMAGNETIC CLUTCHES & BRAKES

TORQUE LIMITERS

SERIES

Metal Disc Couplings
SERVOFLEX

Metal Coil Spring Couplings
BAUMANNFLEX

Pin Bushing Couplings
PARAFLEX

Sliced Couplings
ASK

Rigid Couplings
STK

Jaw Couplings
MIKI PULLEY STARFLEX

Jaw Couplings
SPRFLEX

Dual Rubber Couplings
STEPFLEX

MODELS

STK