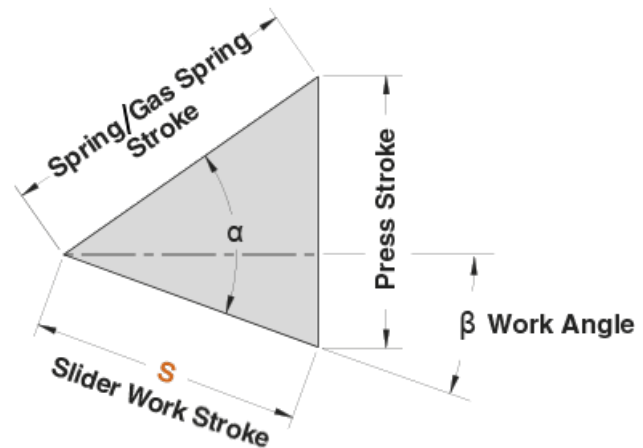
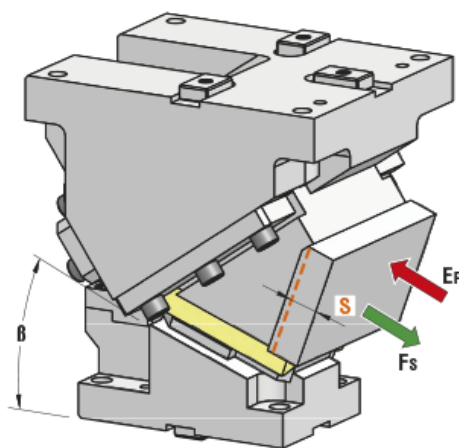




### 1. CAM DIAGRAM



OMCR CODE	Work Angle $\beta$	Slider Work Stroke S (mm)	Press Stroke (mm)	Spring / Gas Spring Stroke (mm)	$\alpha - \beta$	$\alpha$
CHD200.00	0°	28,68	40,96	50	55°	55°
CHD200.05	5°	32,26	41,11	50	50°	55°
CHD200.10	10°	35,90	41,59	50	45°	55°
CHD200.15	15°	39,65	42,40	50	40°	55°
CHD200.20	20°	43,59	43,59	50	35°	55°
CHD200.25	25°	47,78	45,19	50	30°	55°
CHD200.30	30°	52,33	47,29	50	25°	55°
CHD200.35	35°	57,36	50,00	50	20°	55°
CHD200.40	40°	63,05	53,47	50	15°	55°
CHD200.45	45°	69,64	57,92	50	10°	55°
CHD200.50	50°	77,49	63,72	50	5°	55°
CHD200.55	55°	87,17	71,41	50	0°	55°
CHD200.60	60°	99,62	81,92	50	-5°	55°
CHD200.65	65°	116,51	96,91	50	-10°	55°



## 2. WORK FORCE DISTRIBUTION (kN) FOR 1 MILLION CYCLES

The following diagrams illustrate the maximum possible ranges of camforce applicable in several portions of the work area but always working in the exact direction of slider work stroke. If several forces are applied simultaneously on the work area, their common center has to be specified and compared with the tabular infos. The sum of all forces has to be lower than the corresponding tabular value.

**F<sub>s</sub>**

Max Work Force with shoulder

**F<sub>k</sub>**  
**k**

Max Work Force with fitting keys

Assembly with shoulder

		WIDTH				
		40	40	40	40	40
HEIGHT	$\beta=0^\circ \div 65^\circ$	40	40	40	40	40
	40	99	188	333	188	99
	40	117	223	396	223	117
	40	81	153	272	153	81

Assembly with fitting keys

		WIDTH				
		40	40	40	40	40
HEIGHT	$\beta=0^\circ \div 65^\circ$	40	40	40	40	40
	40	44	85	146	85	44
	40	53	100	153	100	53
	40	36	69	153	69	36