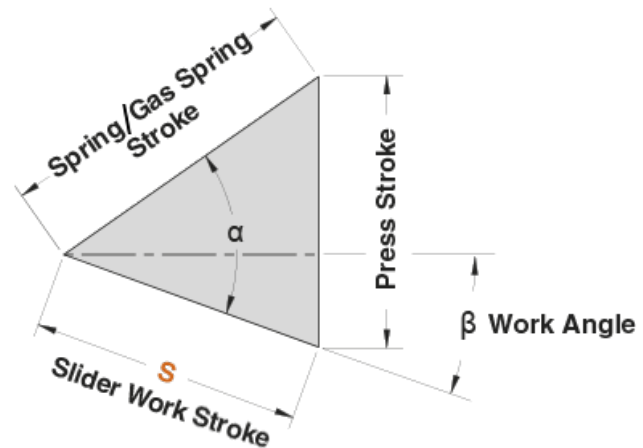
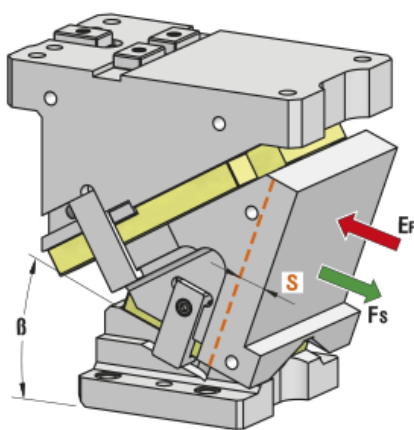




1. CAM DIAGRAM



OMCR CODE	Work Angle β	Slider Work Stroke S (mm)	Press Stroke (mm)	Spring / Gas Spring Stroke (mm)	$\alpha - \beta$	α
CLB200.00	0°	38,57	45,96	60	50°	50°
CLB200.05	5°	42,59	46,14	60	45°	50°
CLB200.10	10°	46,67	46,67	60	40°	50°
CLB200.15	15°	50,88	47,58	60	35°	50°
CLB200.20	20°	55,30	48,91	60	30°	50°
CLB200.25	25°	60,00	50,71	60	25°	50°
CLB200.30	30°	65,10	53,07	60	20°	50°
CLB200.35	35°	70,75	56,11	60	15°	50°
CLB200.40	40°	77,13	60,00	60	10°	50°
CLB200.45	45°	84,53	65,00	60	5°	50°
CLB200.50	50°	93,34	71,51	60	0°	50°
CLB200.55	55°	104,61	85,69	60	0°	55°
CLB200.60	60°	120,00	103,92	60	0°	60°



2. WORK FORCE DISTRIBUTION (kN) FOR 1 MILLION CYCLES

The following diagrams illustrate the maximum possible ranges of camforce applicable in several portions of the work area but always working in the exact direction of slider work stroke. If several forces are applied simultaneously on the work area, their common center has to be specified and compared with the tabular infos. The sum of all forces has to be lower than the corresponding tabular value.



Max Work Force with shoulder



Max Work Force with fitting keys

Assembly with shoulder

		WIDTH					
		40	40	40	40	40	
HEIGHT	$\beta=0^\circ\div 60^\circ$	60	57	115	233	115	57
	60	83	164	302	164	83	
	60	66	125	272	125	66	

Assembly with fitting keys

		WIDTH					
		40	40	40	40	40	
HEIGHT	$\beta=0^\circ\div 60^\circ$	60	26	49	97	49	26
	60	31	58	115	58	31	
	60	21	40	79	40	21	