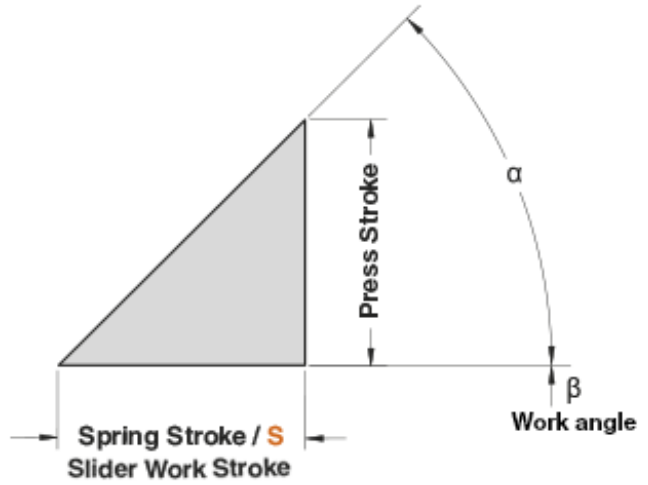
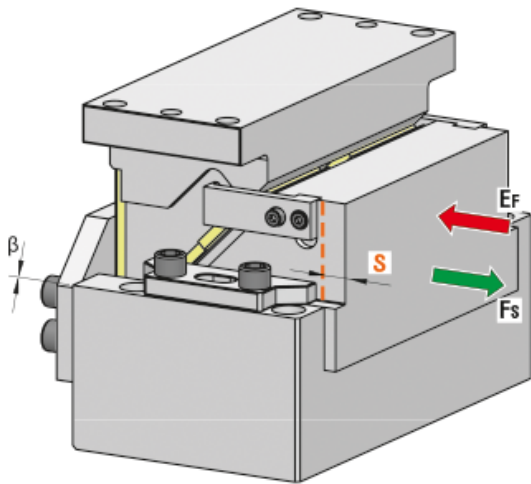




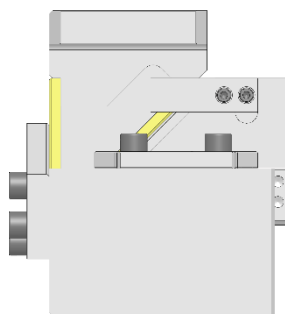
1. CAM DIAGRAM



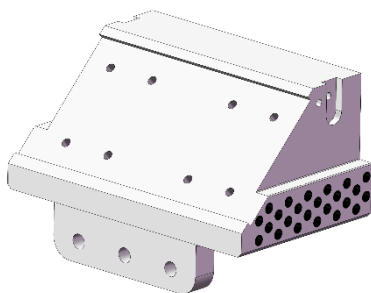
OMCR CODE	Work Angle β	Slider Work Stroke S (mm)	Press Stroke (mm)	Spring Stroke (mm)	$\alpha - \beta$	α
DHC250.00.40	0°	40	40	40	45°	45°
DHC250.00.60	0°	60	60	60	45°	45°

2. CAM WEIGHT INFORMATIONS

CAM WEIGHT

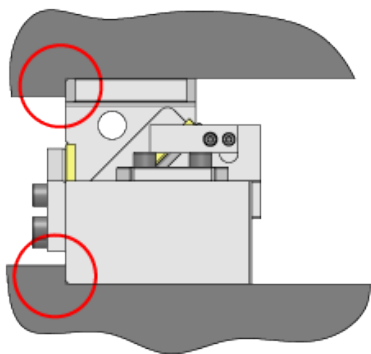


SLIDER WEIGHT

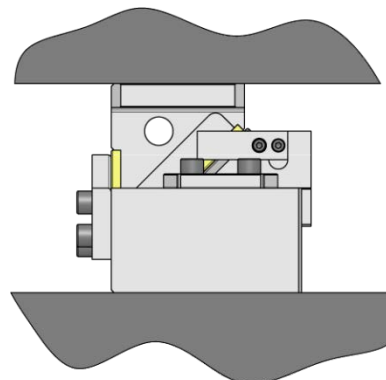


OMCR CODE	CAM WEIGHT [kg]	SLIDER WEIGHT [kg]
DHC250.00.40	102.535	28.737
DHC250.00.60	113.833	28.671

3. CAM MOUNTING INFORMATIONS



Assembly with shoulder
Max performances.



Assembly without shoulder
Compact installation.



4. WORK FORCE DISTRIBUTION (kN) FOR 1 MILLION CYCLES

The following diagrams illustrate the maximum possible ranges of camforce applicable in several portions of the work area but always working in the exact direction of slider work stroke. If several forces are applied simultaneously on the work area, their common center has to be specified and compared with the tabular infos. The sum of all forces has to be lower than the corresponding tabular value.



Max Work Force with shoulder on Cam Driver



Max Work Force without shoulder

Assembly with shoulder

		WIDTH				
		50	50	50	50	50
HEIGHT	43	50	85	169	85	50
	44	53	131	232	131	53
	43	55	114	159	114	55

Assembly without shoulder

		WIDTH				
		50	50	50	50	50
HEIGHT	43	25	43	84	43	25
	44	27	66	116	66	27
	43	27	57	80	57	27