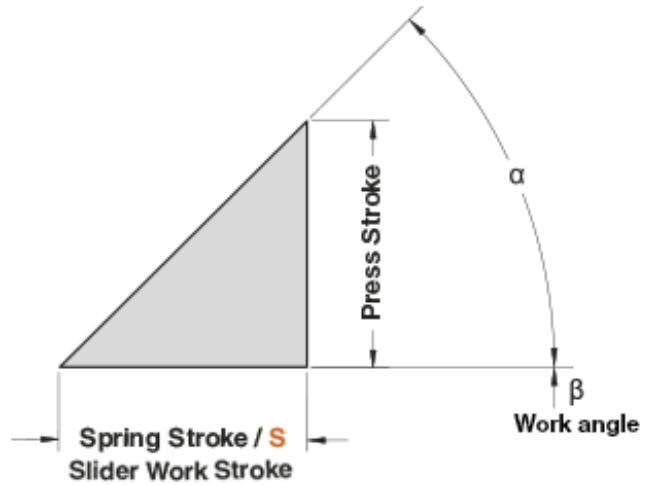
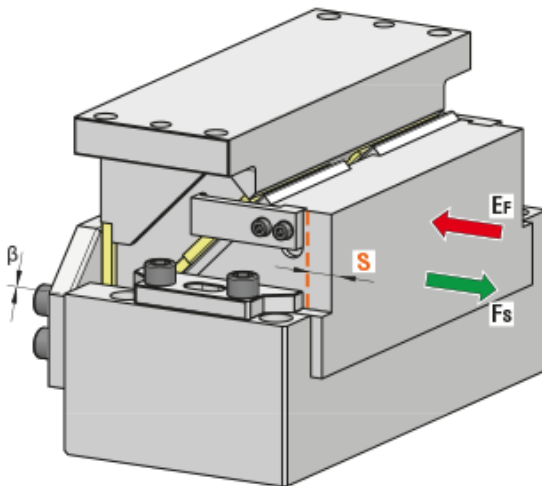




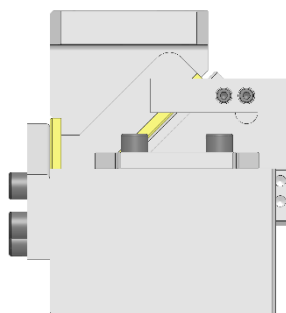
1. CAM DIAGRAM



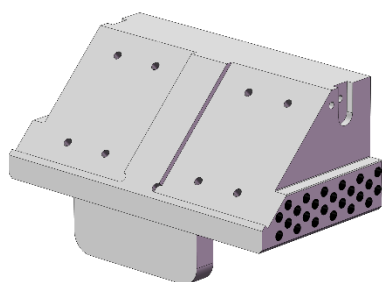
OMCR CODE	Work Angle β	Slider Work Stroke S (mm)	Press Stroke (mm)	Spring Stroke (mm)	$\alpha - \beta$	α
DHC300.00.40	0°	40	40	40	45°	45°
DHC300.00.60	0°	60	60	60	45°	45°

2. CAM WEIGHT INFORMATIONS

CAM WEIGHT

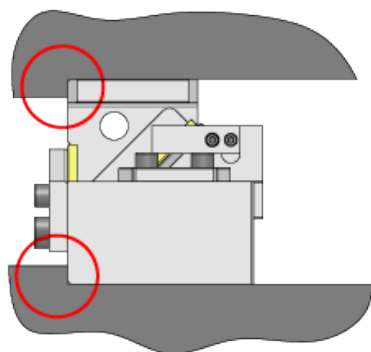


SLIDER WEIGHT

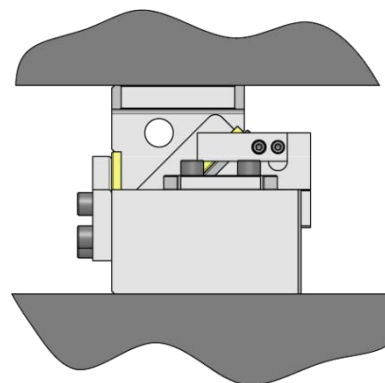


OMCR CODE	CAM WEIGHT [kg]	SLIDER WEIGHT [kg]
DHC300.00.40	119.831	32.443
DHC300.00.60	131.804	32.509

3. CAM MOUNTING INFORMATIONS



Assembly with shoulder
Max performances.



Assembly without shoulder
Compact installation.



4. WORK FORCE DISTRIBUTION (kN) FOR 1 MILLION CYCLES

The following diagrams illustrate the maximum possible ranges of camforce applicable in several portions of the work area but always working in the exact direction of slider work stroke. If several forces are applied simultaneously on the work area, their common center has to be specified and compared with the tabular infos. The sum of all forces has to be lower than the corresponding tabular value.



Max Work Force with shoulder on Cam Driver



Max Work Force without shoulder

Assembly with shoulder

		WIDTH				
		60	60	60	60	60
$\beta=0^\circ$		60	60	60	60	60
HEIGHT	43	61	92	233	92	61
	44	64	146	272	146	64
	43	66	123	200	123	66

Assembly without shoulder

		WIDTH				
		60	60	60	60	60
$\beta=0^\circ$		60	60	60	60	60
HEIGHT	43	30	46	116	46	30
	44	32	73	136	73	32
	43	33	61	100	61	33