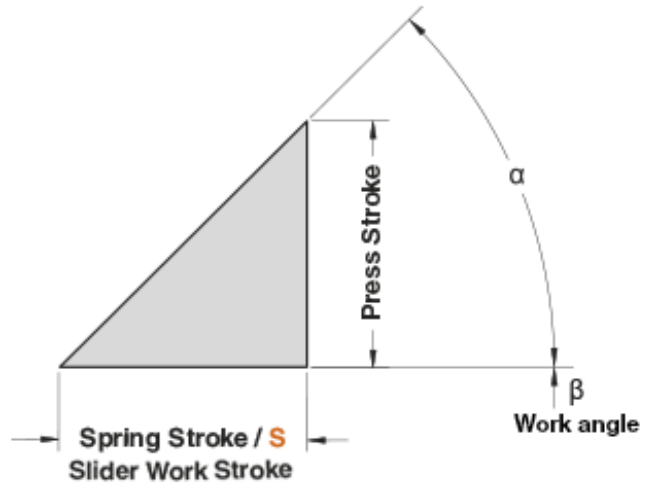
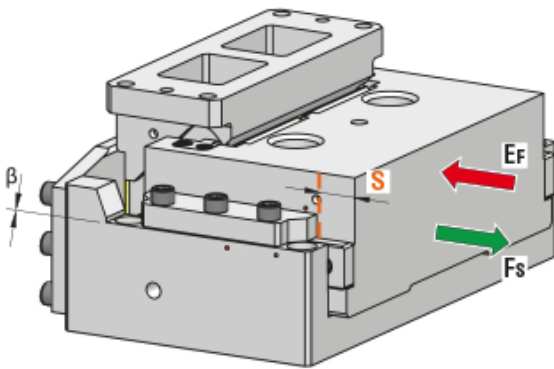




1. CAM DIAGRAM

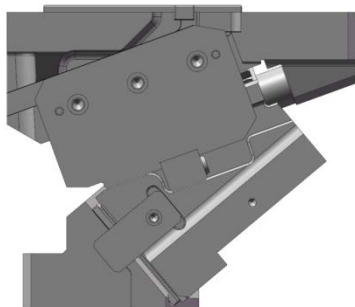


OMCR CODE	Work Angle β	Slider Work Stroke S (mm)	Press Stroke (mm)	Spring Stroke (mm)	$\alpha - \beta$	α
DHC400.00.60	0°	60	60	60	45°	45°



2. CAM WEIGHT INFORMATIONS

CAM WEIGHT

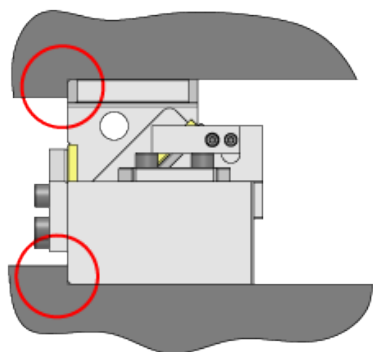


SLIDER WEIGHT

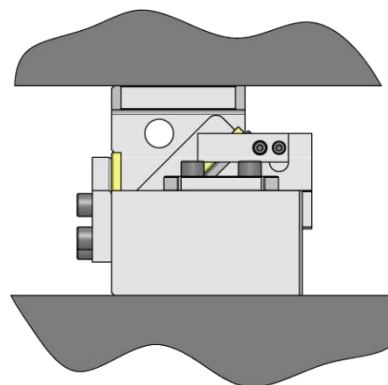


OMCR CODE	CAM WEIGHT [kg]	SLIDER WEIGHT [kg]
DHC400.00.60	193	79

3. CAM MOUNTING INFORMATIONS



Assembly with shoulder
Max performances.



Assembly without shoulder
Compact installation.



2. WORK FORCE DISTRIBUTION (kN) FOR 1 MILLION CYCLES

The following diagrams illustrate the maximum possible ranges of camforce applicable in several portions of the work area but always working in the exact direction of slider work stroke. If several forces are applied simultaneously on the work area, their common center has to be specified and compared with the tabular infos. The sum of all forces has to be lower than the corresponding tabular value.

F_s

Max Work Force with shoulder on Cam Driver

F

Max Work Force without shoulder

Assembly with shoulder

		WIDTH						
		50	60	60	60	60	60	50
HEIGHT	50	58	138	196	288	196	138	58
	50	96	230	326	480	326	230	96
	50	64	153	216	318	216	153	64

Assembly without shoulder

		WIDTH						
		50	60	60	60	60	60	50
HEIGHT	50	35	83	118	144	118	83	35
	50	58	138	196	240	196	138	58
	50	38	92	130	159	130	92	38